

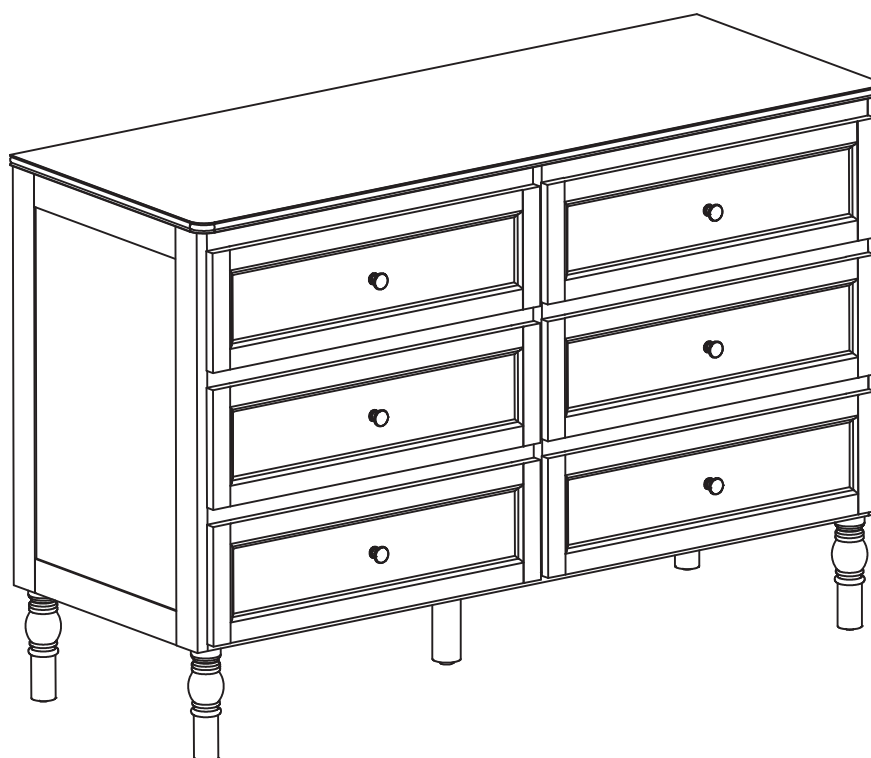
# DUSK.COM

LIVING | BEDROOM | DINING

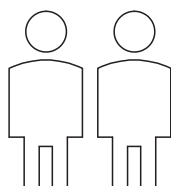
Range Name: Ruby

Box dimensions: L133xW53xH21 (cm)

## 6 Drawer Chest



Up to 1 hour  
assembly time



Two person  
assembly

This product is intended for domestic use only, not for commercial purposes.

# IMPORTANT

## ASSEMBLY TIP

Before you begin, it's best to identify all of the parts and fittings to build your chest frame. We advise laying these out on the floor to check you have everything, and to familiarise yourself with all of the parts and fittings before building.

## TOP TIP

We recommend that you assemble the chest in the room you'd like it to be located. This will help prevent any risk of damage to the frame whilst moving it.

## SAFETY AND CARE

1. It's important to ensure children and animals are kept away from the assembly area, as there are small components used in this product which could present a choking hazard. All plastic and wrapping materials should also be kept away from children and animals to prevent any risk of suffocation.
2. Do not stand on your product.
3. Always use the item on firm level ground, ensuring all legs remain in contact with the ground.
4. Place heaviest items in the lowest drawers.
5. Do not set TV or other heavy objects on top of the product.
6. Children should always be under supervision whilst using this product. Never allow children to climb on the drawers.
7. Never keep more than one drawer open at the same time.
8. In order to prevent overturning, this product must be used with the wall attachment device provided.
9. Serious or fatal crushing injuries can occur from tipping furniture.

## HELP AND SUPPORT

Please contact our customer service team on 0113 519 0311 if you have any questions or issues with your purchase.

## RECYCLING

Please ensure that packaging is disposed of in a safe and environmentally friendly way, and recycle where possible. Please keep your assembly instructions safe to refer back to in the future.

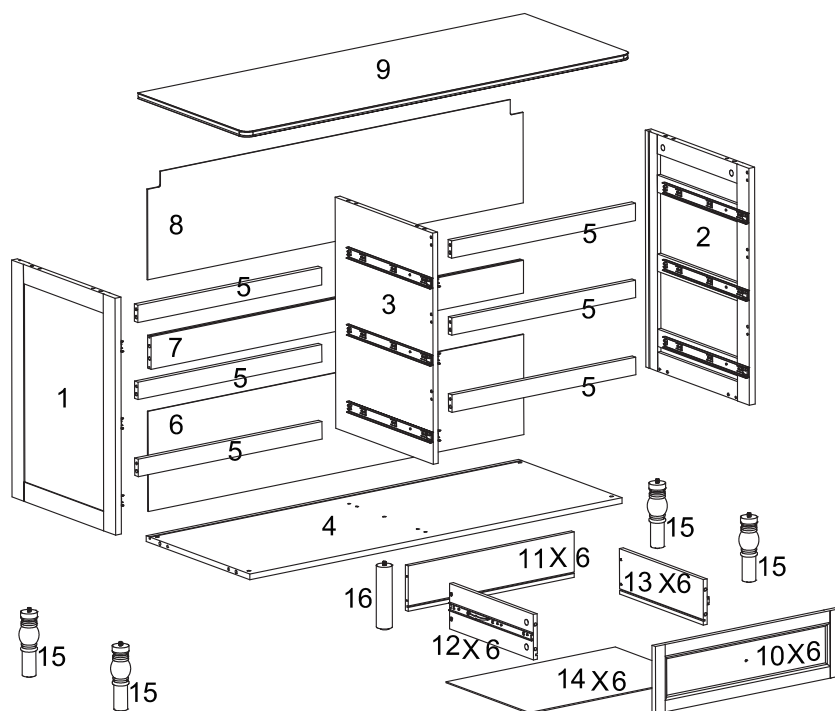
## CARE AND MAINTENANCE

1. Only clean using a damp cloth, do not use bleach or abrasive cleaners as they may damage the finish over time.
2. Do not use a very wet cloth or allow any liquid to contact with the surface for a long period of time. Wipe any spillage immediately. Absorption can cause wood to warp or finishes to de-laminate.
3. Do not scrub or rub the surface when cleaning.
4. Do not drag the chest when moving, lift it off the floor instead.
5. Use a placemat or a coaster when putting hot items (e.g. hot drinks and dishes) on the wood surface.
6. It is not recommended to place the item next to sources of heat such as radiators, fires or directly exposed to sunlight. This may cause the wood to crack, split or fade due to the heat and humidity.
7. Wood will mellow and change colour over time, we recommend that ornaments and items placed on the surface to be moved regularly to prevent uneven mellowing.
8. Regularly check all fixings to ensure none have come loose. Re-tighten if necessary.
9. Avoid sharp items such as a screwdriver or any pointy tools.

# Parts list

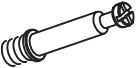










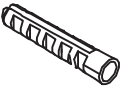

Before you begin building your chest, please take a moment to read through the instructions and make sure that you have all the relevant parts listed on the parts check list.

Part Number	Part Description	Quantity
1	Left Side Panel	1 pc
2	Right Side Panel	1 pc
3	Middle Panel	1 pc
4	Bottom Panel	1 pc
5	Centre Support	6 pcs
6	Lower Back Panel	1 pc
7	Back Support Bar	1 pc
8	Upper Back Panel	1 pc
9	Chest Top	1 pc
10	Drawer Front	6 pcs
11	Drawer Back Side	6 pcs
12	Drawer Left Side	6 pcs
13	Drawer Right Side	6 pcs
14	Drawer Bottom	6 pcs
15	Leg	4 pcs
16	Centre Leg	1 pc

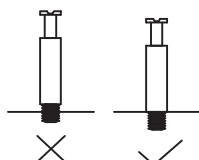


## Fittings

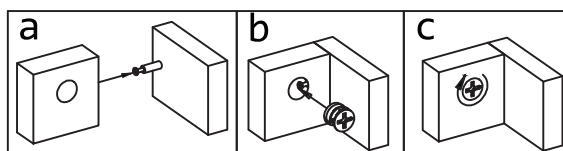
Please check you have all the fittings listed below with your product.

<b>A</b> 	<b>B</b> 	<b>C</b> 	<b>D</b> 	<b>E</b> 	<b>F</b> 
M6*35mm Cam Lock Screw 50pcs+6pcs extra	Ø15*9mm Cam Lock 50pcs+6pcs extra	Ø6*30mm Dowel 24pcs+3pcs extra	M4*35mm Screw 26pcs+3pcs extra	Wall Bracket 2pcs	Plastic Buckle 20pcs+2pcs extra
<b>G</b> 	<b>H</b> 	<b>I</b> 	<b>J</b> 	<b>K</b> 	<b>L</b> 
Knob 6pcs	Cover 24pcs+3pcs extra	M3.5*14mm Screw 20pcs+2pcs extra	M4*8mm Bolt 6pcs	M4*14mm Screw 4pcs	Wall Anchor 2pcs
<b>M</b> 					
M4*45mm Screw 2pcs					

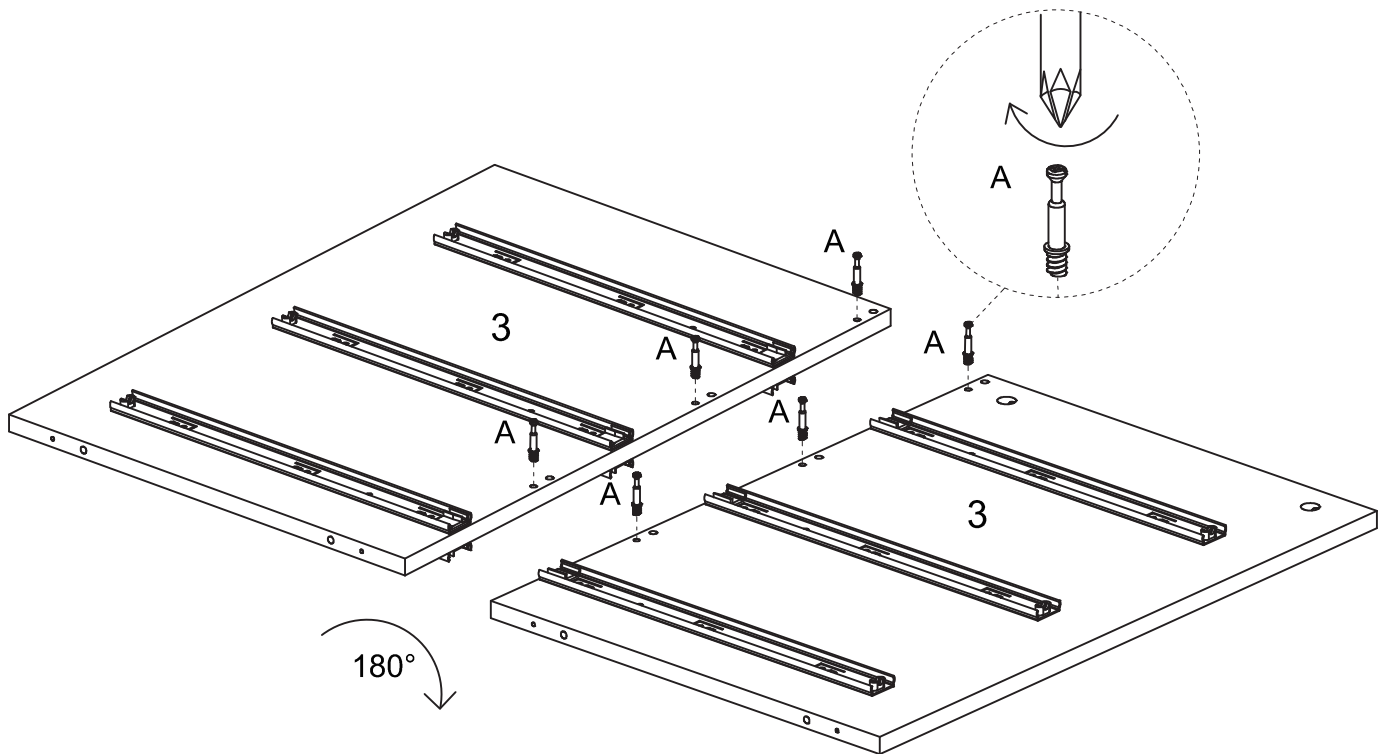
Ensure the cam lock screws are installed correctly, as indicated by the "check mark" below.

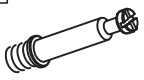


Refer to the illustration below to correctly use the cam lock screws for assembling the panels.

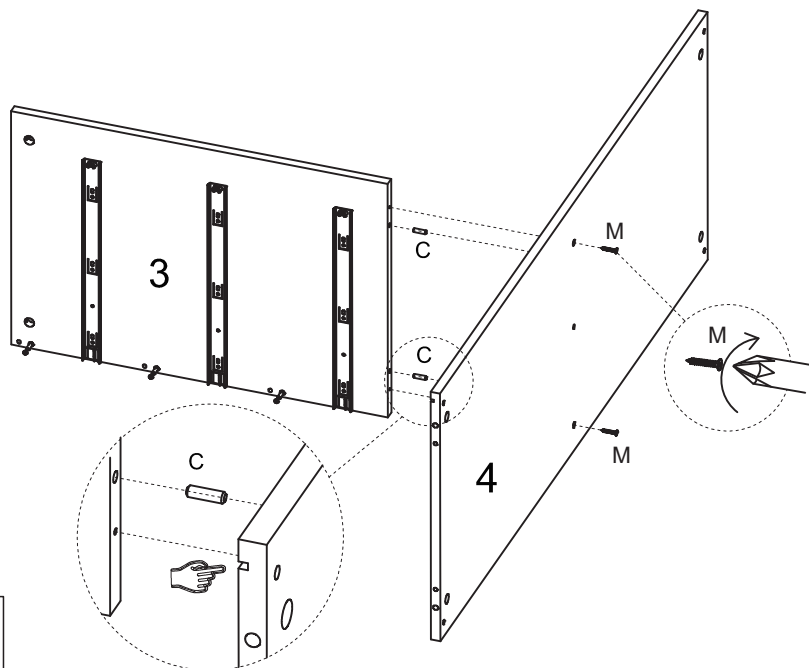



1. Attach Cam Lock Screws to both sides of the Middle Panel (3).




<b>A</b>	
M6*35mm Cam Lock Screw	
6pcs	

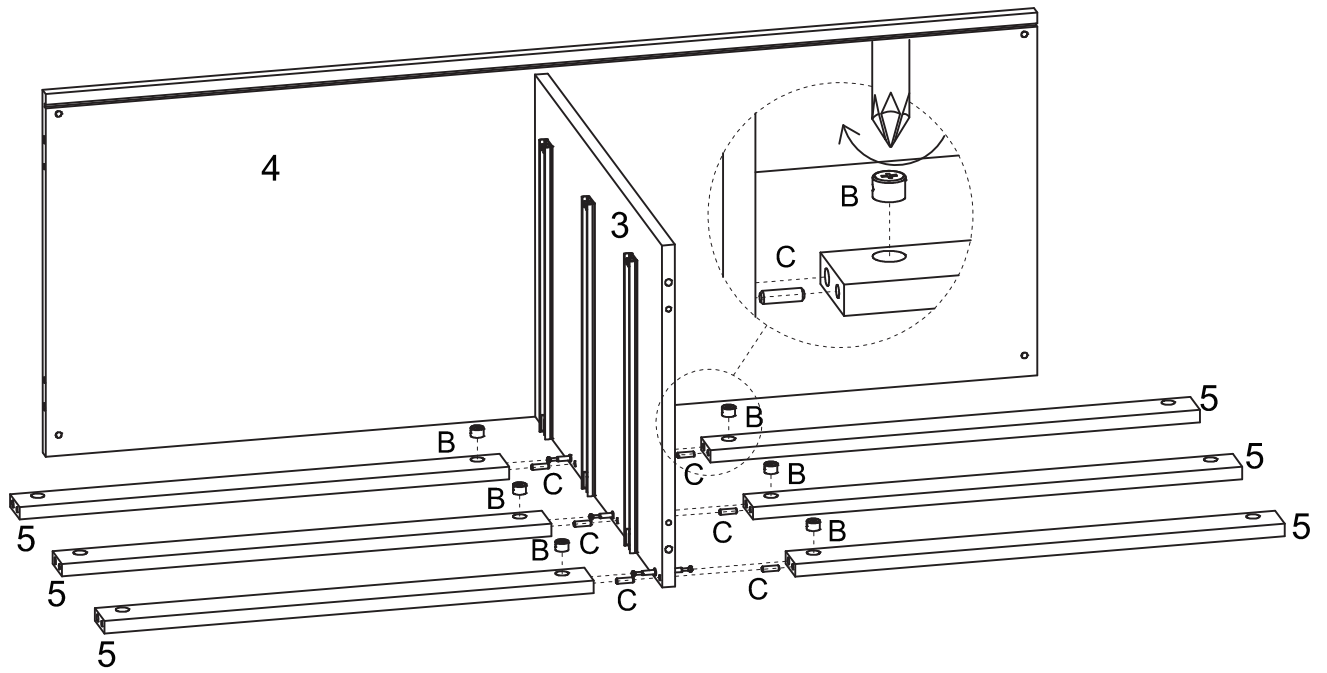
2. Attach Middle Panel (3) to Bottom Panel (4).





<b>C</b>	
Ø6*30mm Dowel	
2pcs	

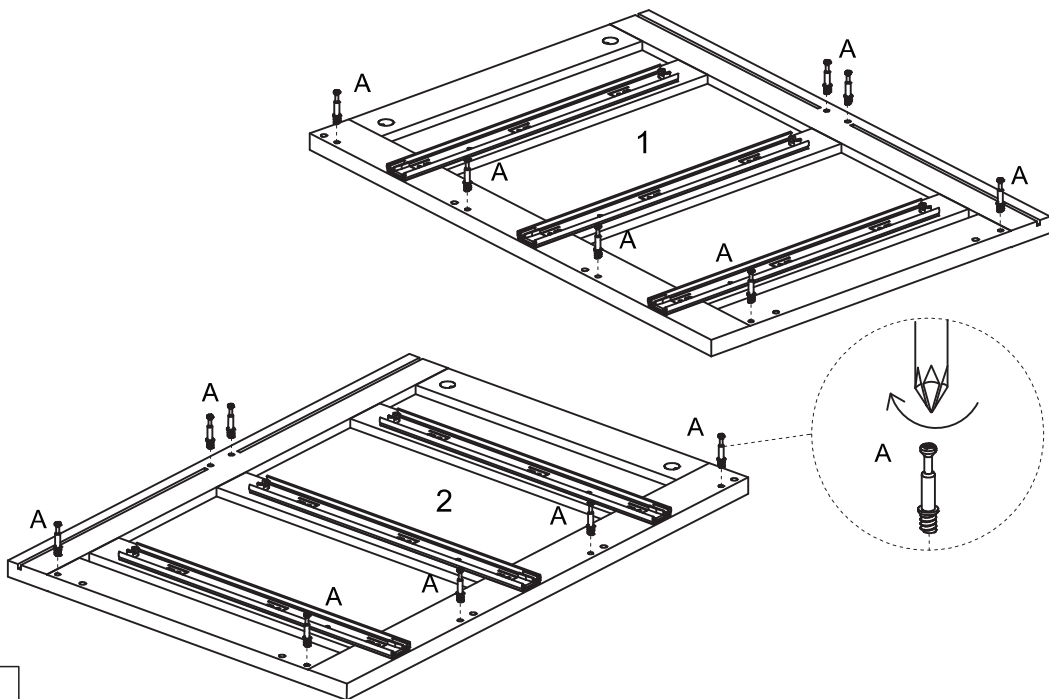
<b>M</b>	
M4*45mm Screw	
2pcs	

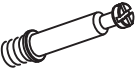
### 3. Attach Centre Support (5) to Middle Panel (3).



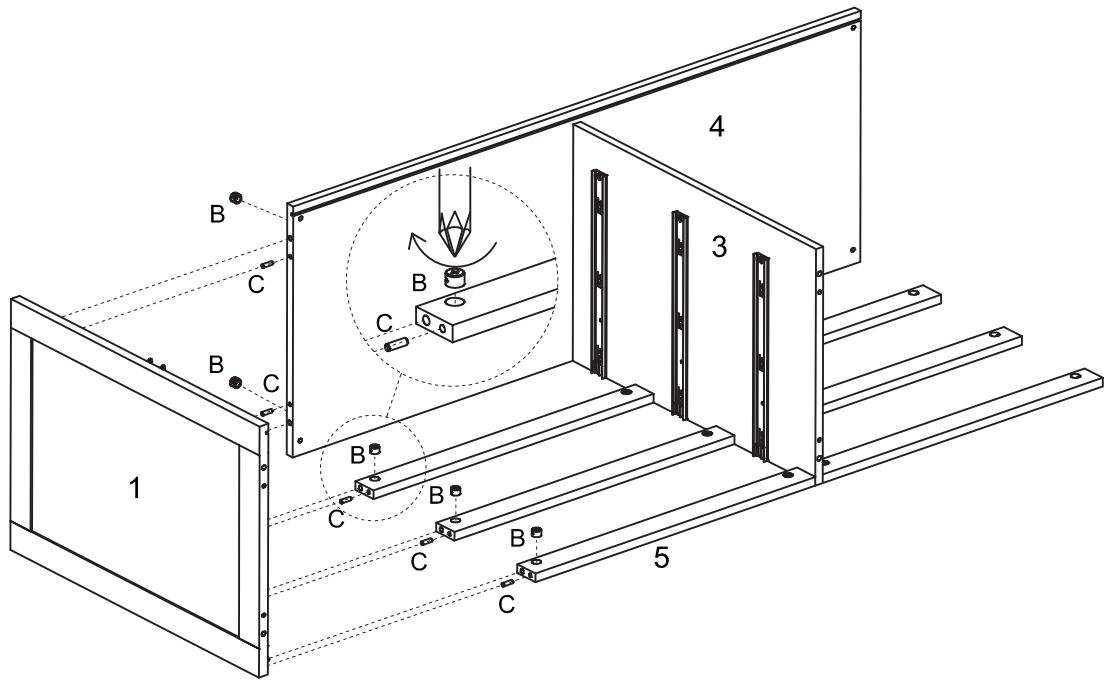
<p><b>B</b></p> 	<p><b>C</b></p> 
<p>Ø15*9mm Cam Lock 6pcs</p>	<p>Ø6*30mm Dowel 6pcs</p>



### 4. Attach Cam lock Screws to Left Side Panel (1) and Right Side Panel (2).



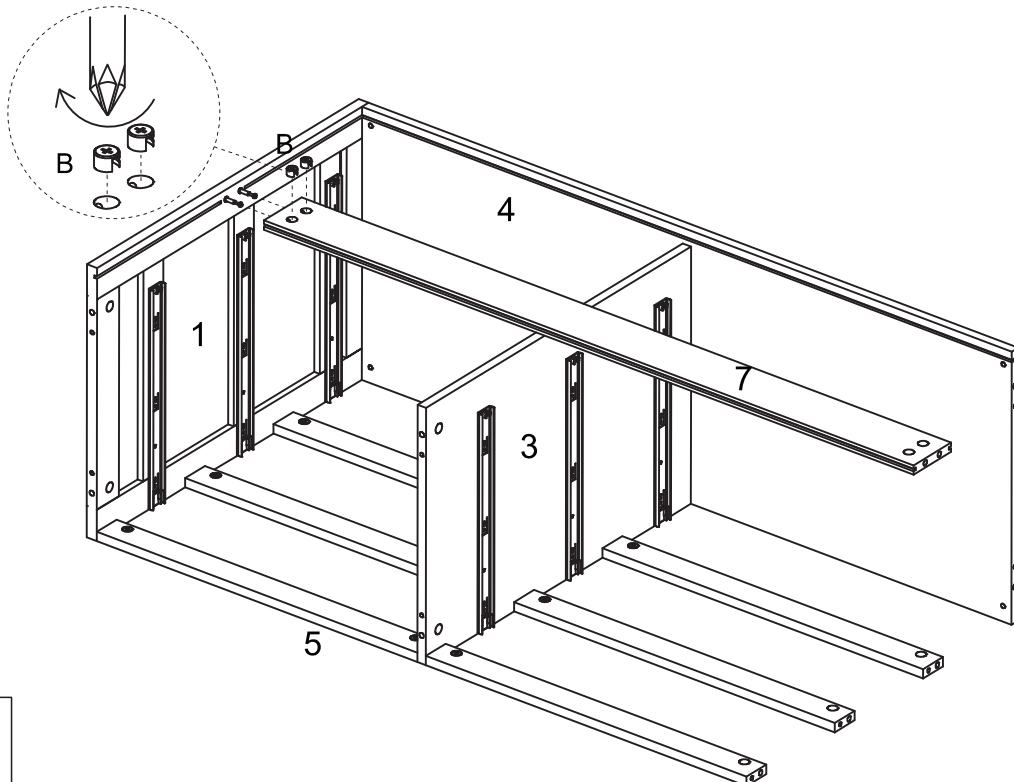
<p><b>A</b></p> 
<p>M6*35mm Cam Lock Screw 14pcs</p>


5. Attach Left Side Panel (1) to Bottom Panel (4) and Centre Support (5).



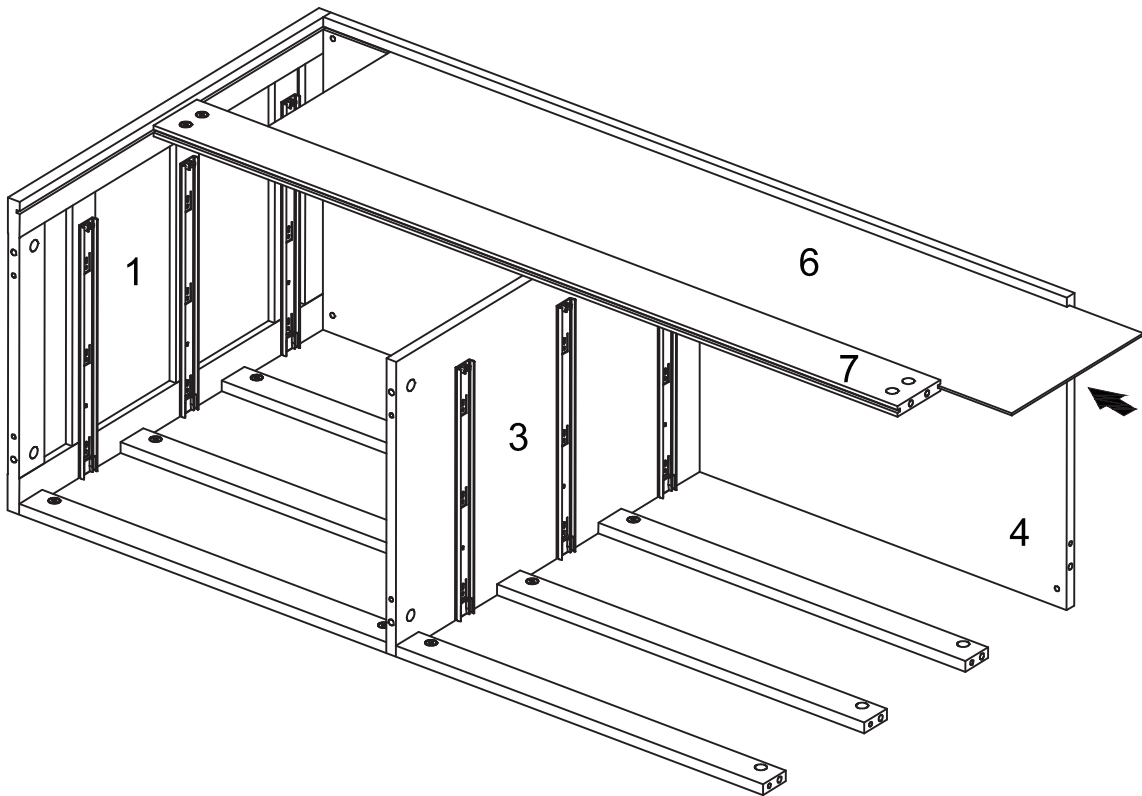
<b>B</b> 	<b>C</b> 
Ø15*9mm Cam Lock 5pcs	Ø6*30mm Dowel 5pcs

6. Attach Back Support Bar (7) to Left Side Panel (1).

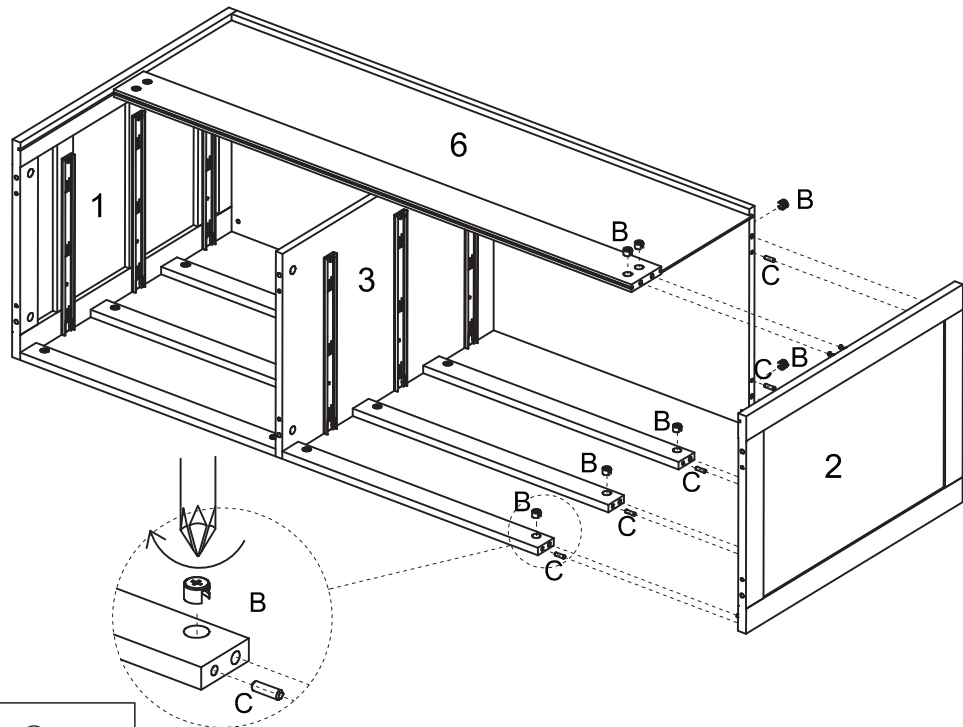




<b>B</b> 
Ø15*9mm Cam Lock 2pcs

7. Slide Lower Back Panel (6) to the Frame.

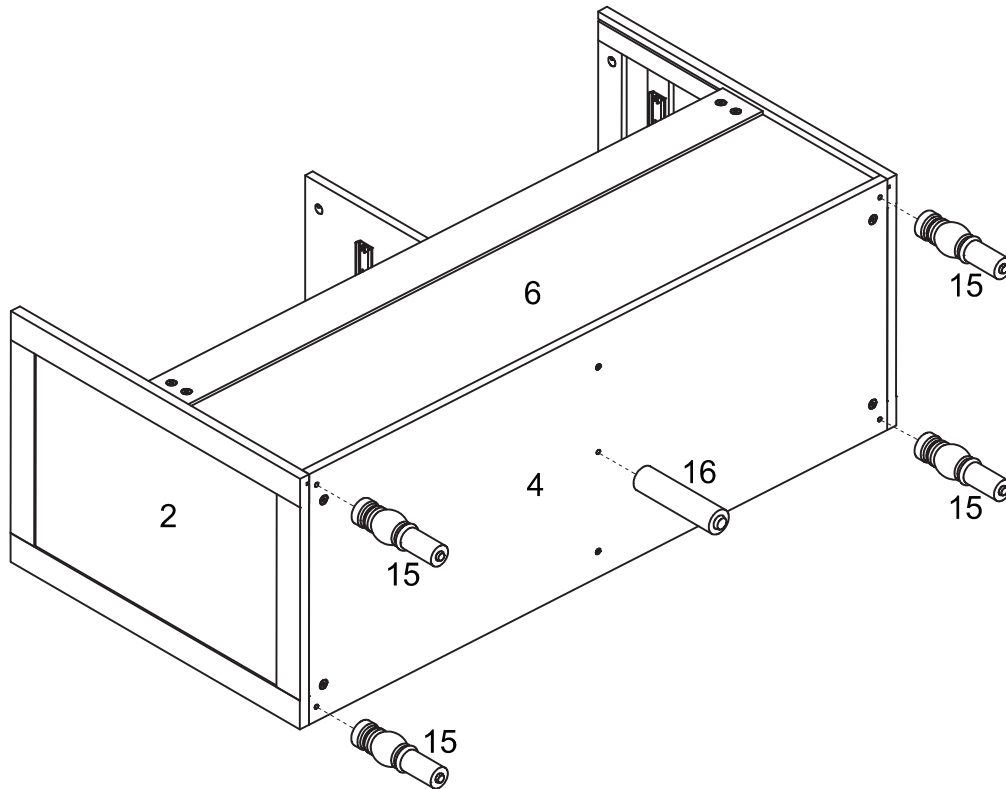


8. Attach Right Side Panel (2) to the Frame.

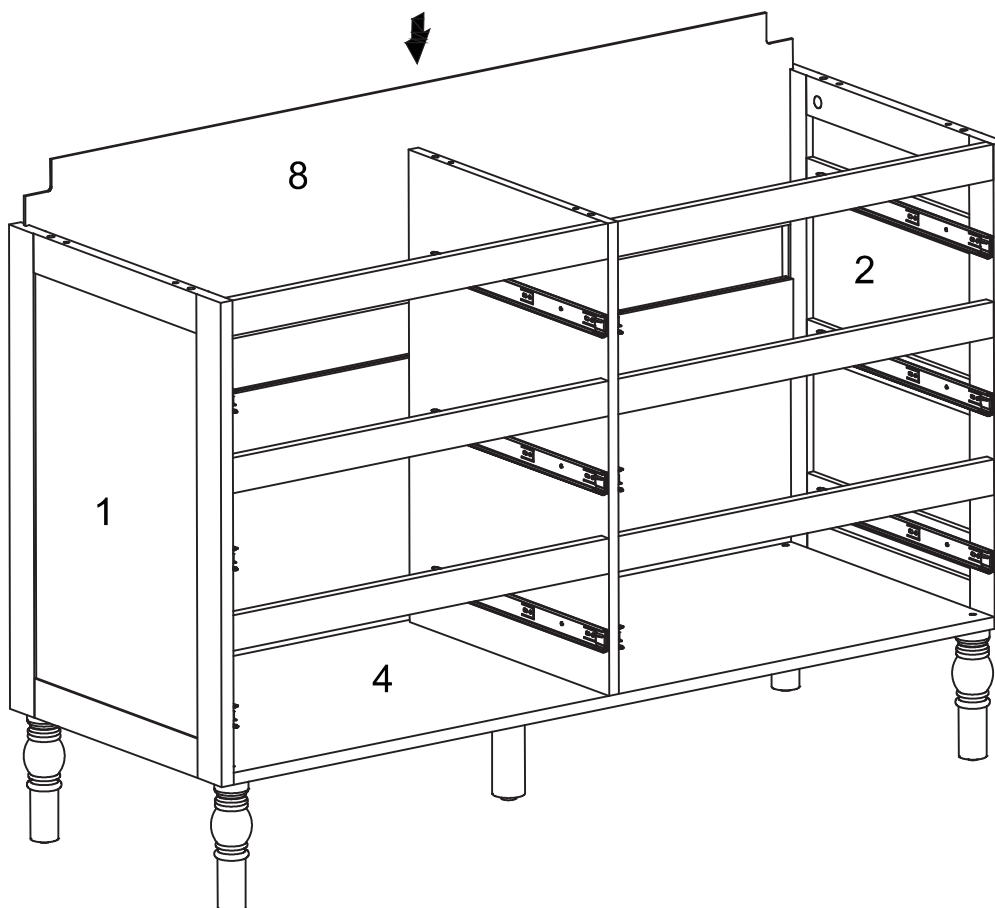


<b>B</b> 	<b>C</b> 
Ø15*9mm Cam Lock 7pcs	Ø6*30mm Dowel 5pcs

9. Attach the Leg (15) and Centre Leg (16) to the Bottom Panel (4).

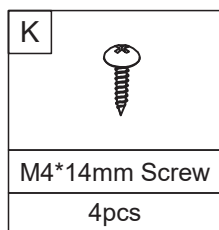
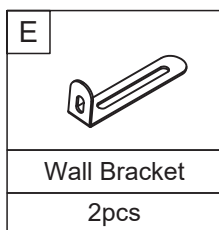
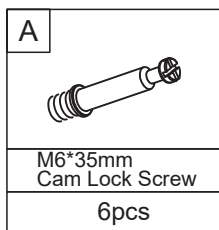
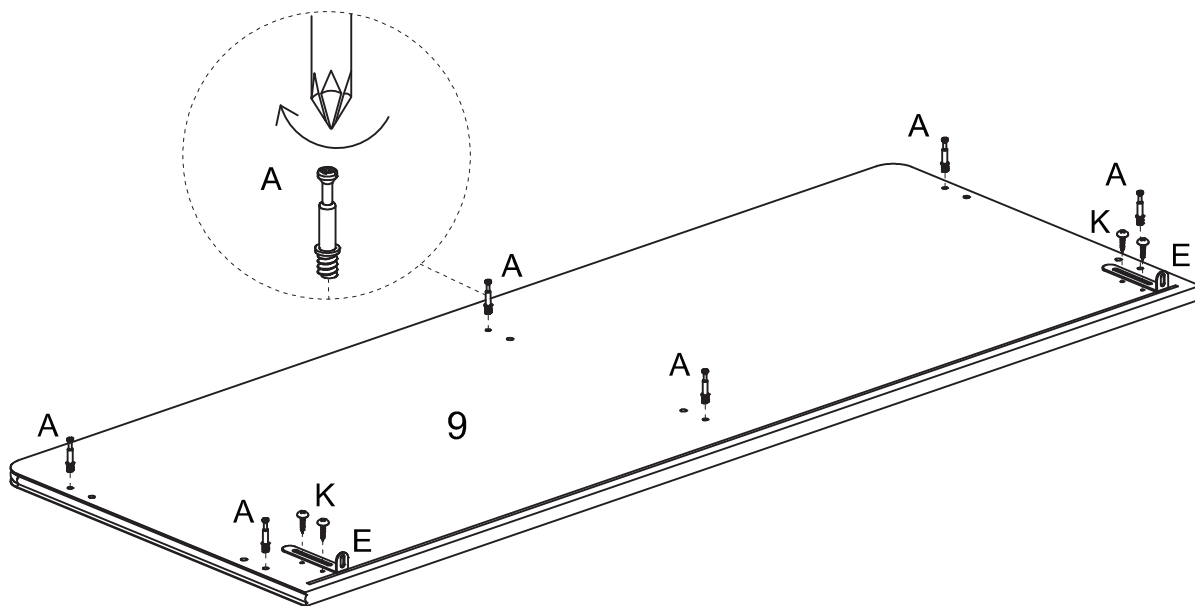


10. Slide the Upper Back Panel (8) to the Frame.

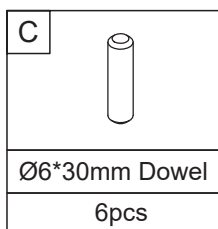
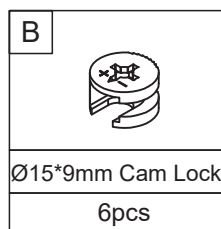
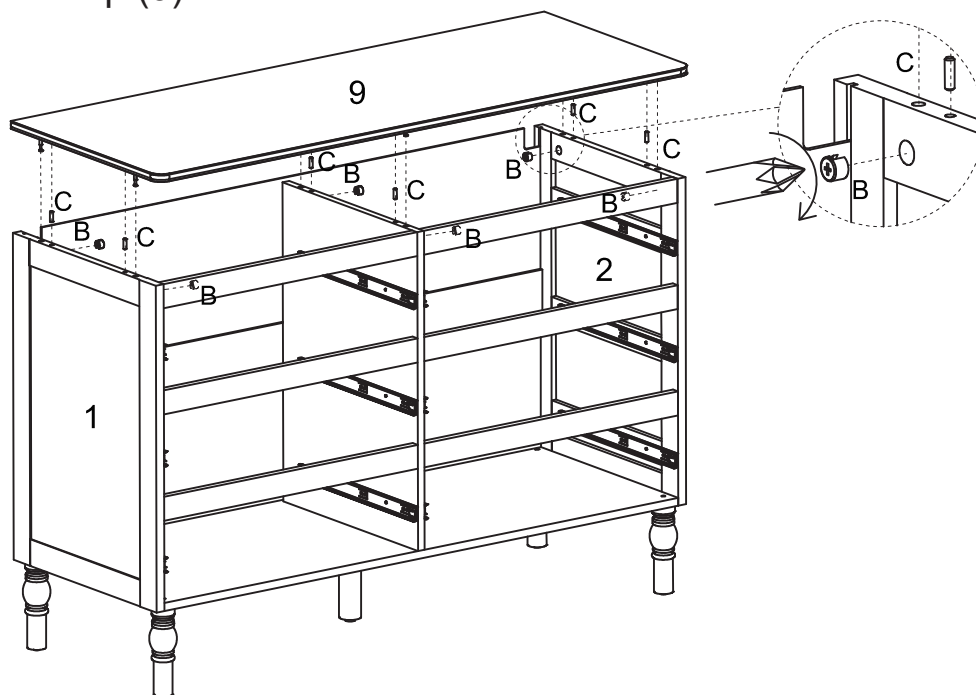




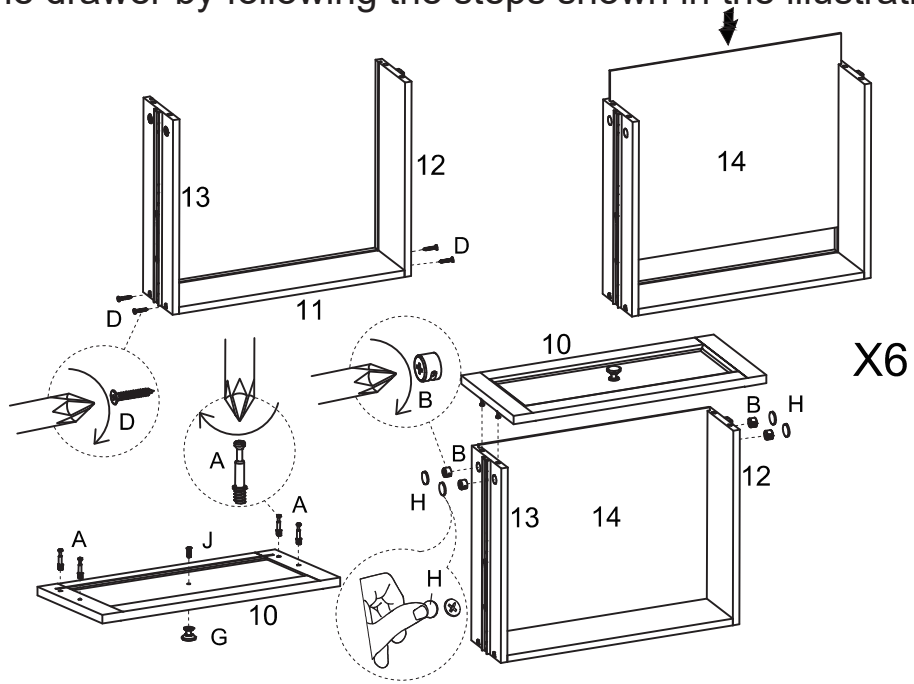
## 11. Attach the Wall Bracket and Fittings to Chest Top (9).

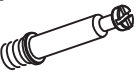







## 12. Attach the Chest Top (9) to the Frame.

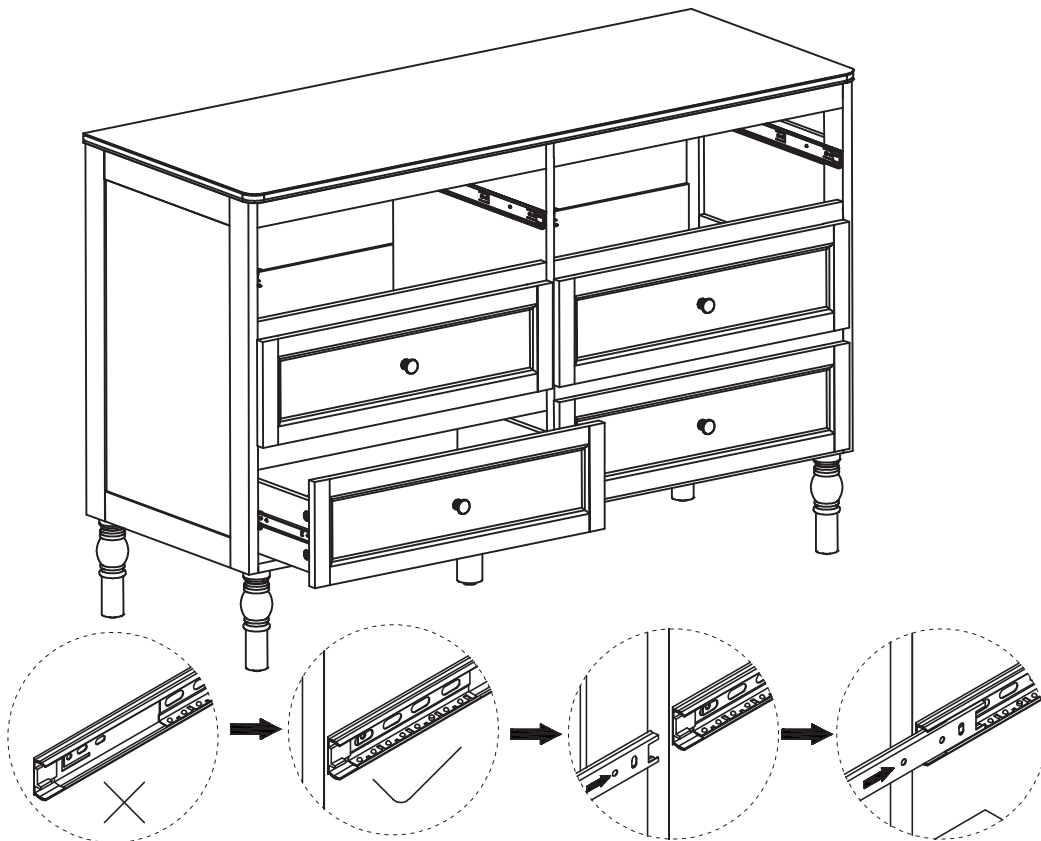


13. Assemble the drawer by following the steps shown in the illustration below.

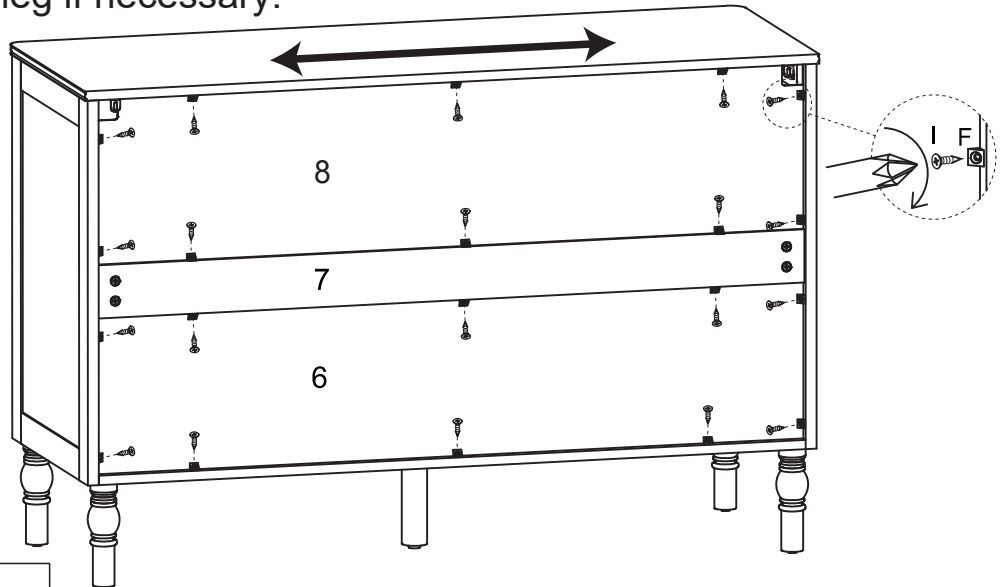




<p><b>A</b></p> 	<p><b>B</b></p> 	<p><b>D</b></p> 	<p><b>G</b></p> 	<p><b>H</b></p> 	<p><b>J</b></p> 
<p>M6*35mm Cam Lock Screw 24pcs</p>	<p>Ø15*9mm Cam Lock 24pcs</p>	<p>M4*35mm Screw 24pcs</p>	<p>Knob 6pcs</p>	<p>Cover 24pcs</p>	<p>M4*8mm Bolt 6pcs</p>

14. Slide the Drawers into the Frame.

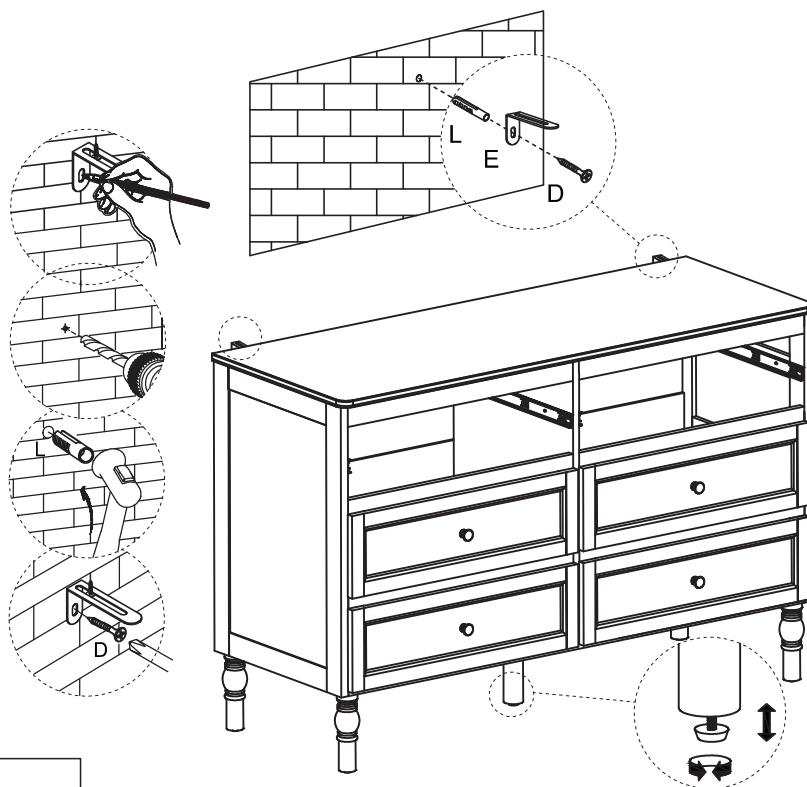



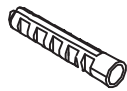
15. Attach the plastic buckles on back. Before securing them, manually adjust the frame to ensure the drawers are properly aligned, even, and parallel. Adjust the center leg if necessary.



I		F	
M3.5*14mm Screw		Plastic Buckle	
20pcs		20pcs	

16. Fix the wall bracket to the wall by drilling holes, inserting wall anchors, and securing it with screws.



D		L	
M4*35mm Screw		Wall Anchor	
2pcs		2pcs	

17. Slide two upper Drawers into the Frame.

