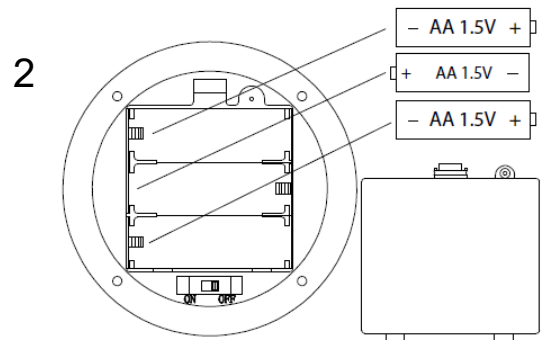
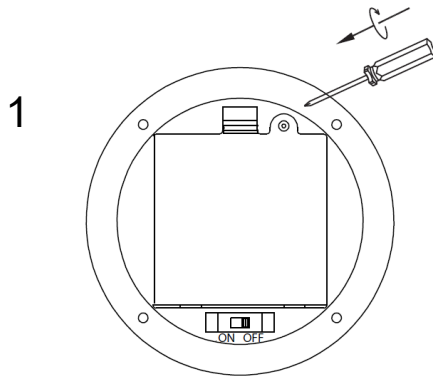
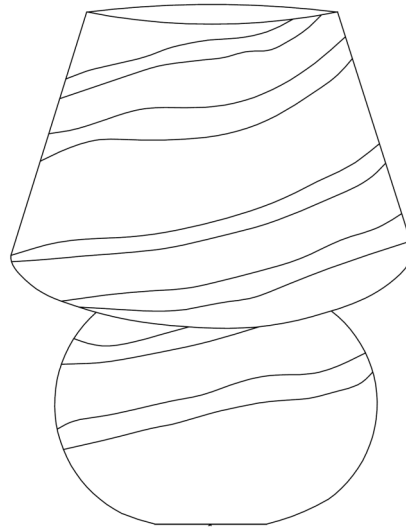


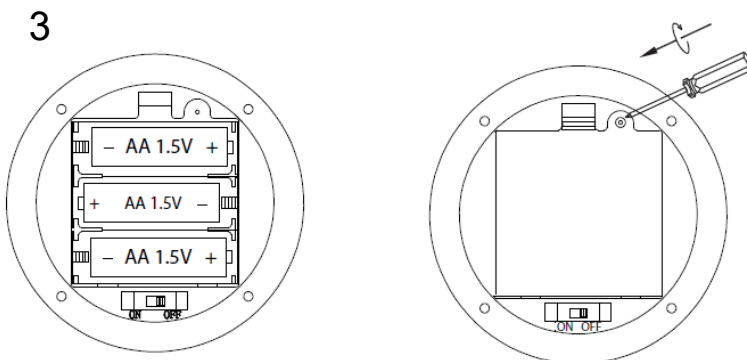
ASSEMBLY INSTRUCTIONS

ZURI MUSHROOM BATTERY POWERED TABLE LAMP

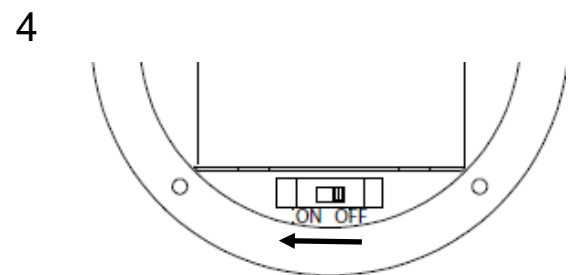


Step 1: Use a screwdriver to loosen the screw and open the battery cover.

Step 2: Insert batteries making sure they are fitted with correct polarity.



Step 3: With the batteries fitted, replace the battery cover and secure the screw.



Step 4: Slide the On/Off switch to ON

(3 X AA 1.5V BATTERIES NOT INCLUDED)

