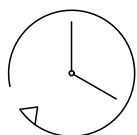
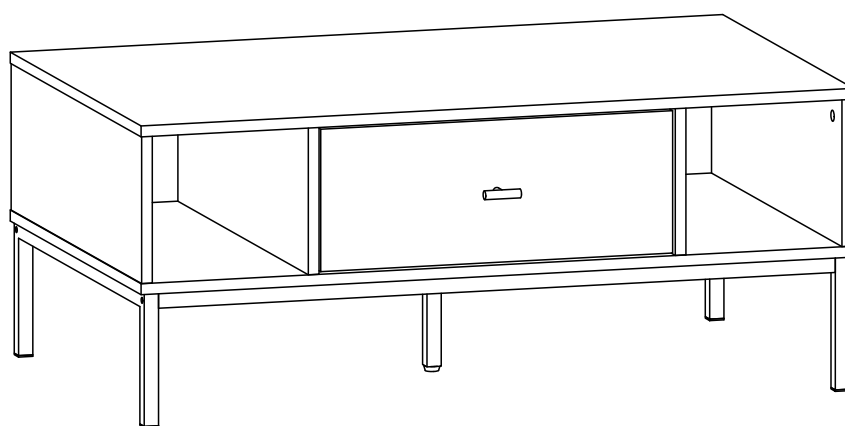
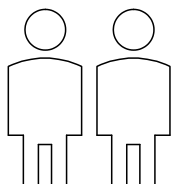


## Willow Coffee Table



Up to 20 minutes  
assembly time



Two person  
assembly

This product is intended for domestic use only, not for commercial purposes.

# **IMPORTANT**

## **ASSEMBLY TIP**

Before you begin, it's best to identify all of the parts and fittings to build your coffee table frame. We advise laying these out on the floor to check you have everything, and to familiarise yourself with all of the parts and fittings before building.

## **TOP TIP**

We recommend that you assemble the coffee table in the room you'd like it to be located. This will help prevent any risk of damage to the frame whilst moving it.

## **SAFETY AND CARE**

It's important to ensure children and animals are kept away from the assembly area, as there are small components used in this product which could present a choking hazard. All plastic and wrapping materials should also be kept away from children and animals to prevent any risk of suffocation.

## **HELP AND SUPPORT**

Please contact our customer service team on 0113 519 0311 if you have any questions or issues with your purchase.

## **RECYCLING**

Please ensure that packaging is disposed of in a safe and environmentally friendly way, and recycle where possible. Please keep your assembly instructions safe to refer back to in the future.

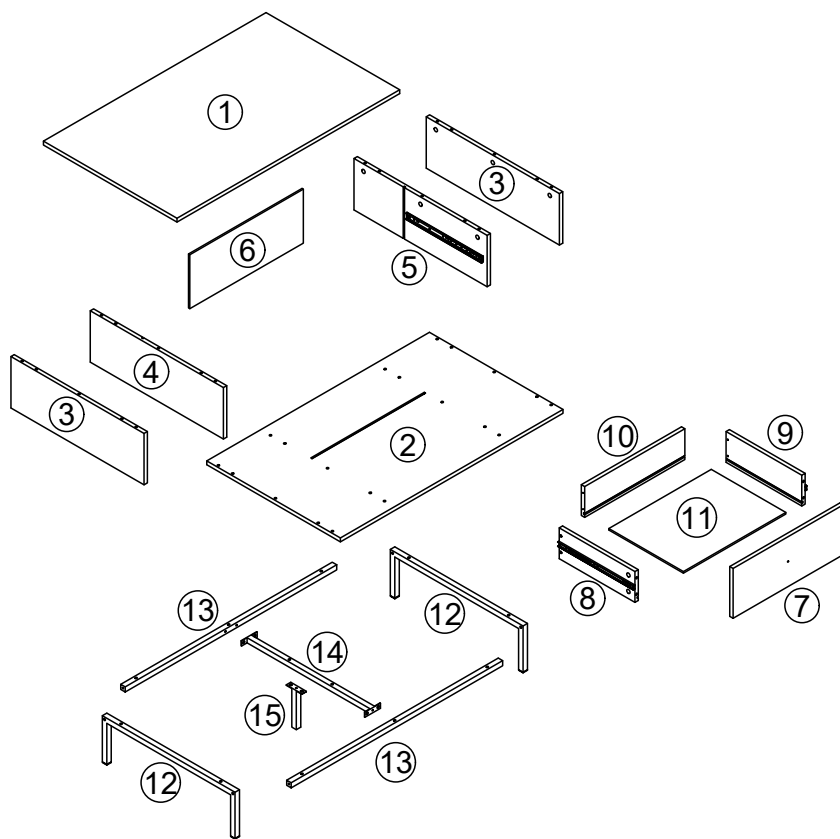
## **CARE AND MAINTENANCE:**

1. Only clean using a damp cloth, do not use bleach or abrasive cleaners as they may damage the finish over time.
2. Do not use a very wet cloth or allow any liquid to contact with the veneer for a long period of time. Wipe any spillage immediately. Absorption can cause wood to warp or finishes to de-laminate.
3. Do not scrub or rub the surface when cleaning.
4. Do not drag the coffee table when moving, lift it off the floor instead.
5. Use a placemat or a coaster when putting hot items (e.g. hot drinks and dishes) on the wood surface.
6. It is not recommended to place the item next to sources of heat such as radiators, fires or directly exposed to sunlight. This may cause the wood to crack, split or fade due to the heat and humidity.
7. Wood will mellow and change colour over time, we recommend that ornaments and items placed on the surface to be moved regularly to prevent uneven mellowing.
8. Regularly check all fixings to ensure none have come loose. Re-tighten if necessary.
9. Avoid sharp items such as a screwdriver or any pointy tools.
10. Dispose of all packaging carefully and responsibly - recycle where possible.

# Parts list









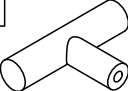

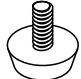
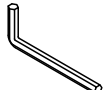
Before you begin building your Willow Coffee Table, please take a moment to read through the instructions and make sure that you have all the relevant parts listed on the parts check list.

Part Number	Part Description	Quantity
①	Coffee Table Top	1 pc
②	Bottom Panel	1 pc
③	Side Panel	2 pcs
④	Left Middle Panel	1 pc
⑤	Right Middle Panel	1 pc
⑥	Back Panel	1 pc
⑦	Drawer Front	1 pc
⑧	Drawer Left Side	1 pc
⑨	Drawer Right Side	1 pc
⑩	Drawer Back Side	1 pc
⑪	Drawer Bottom	1 pc
⑫	Leg	2 pcs
⑬	Leg Side Support	2 pcs
⑭	Leg Centre Support	1 pc
⑮	Centre Leg	1 pc

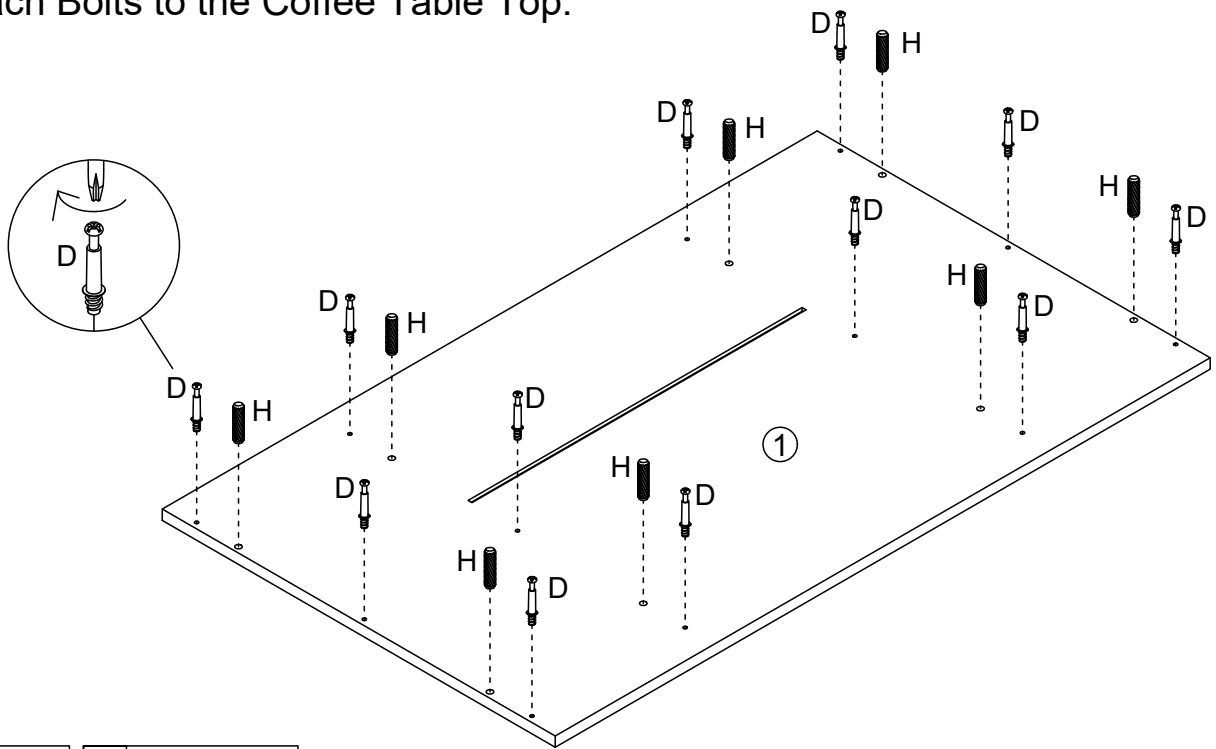


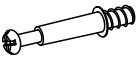

# Fittings

Please check you have all the fittings listed below with your product.

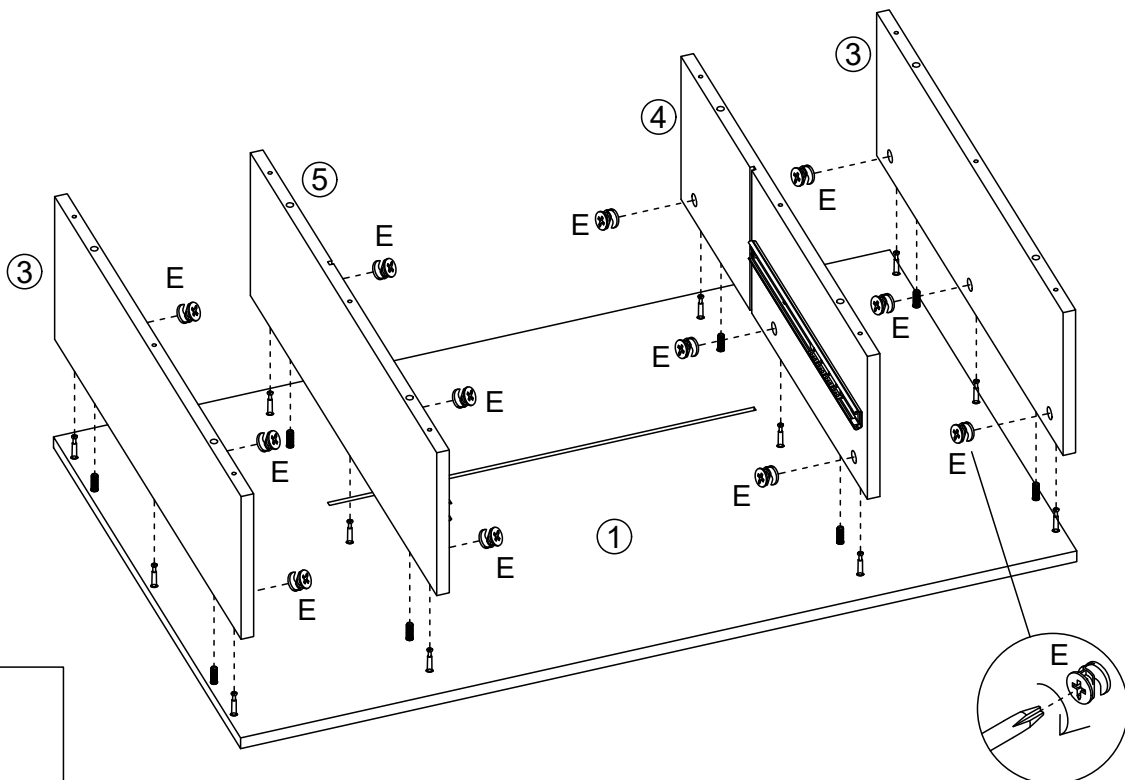
<p><b>A</b></p> 	<p><b>B</b></p> 	<p><b>C</b></p> 	<p><b>D</b></p> 	<p><b>E</b></p> 	<p><b>F</b></p> 
<p>M6*12mm Bolt 6pcs+1pc extra</p>	<p>M6*30mm Bolt 12pcs+1pc extra</p>	<p>M6*40mm Bolt 4pcs</p>	<p>M6*35mm Bolt 16pcs+2pcs extra</p>	<p>Ø15mm Cam lock 16pcs+2pcs extra</p>	<p>M4*35mm Screw 4pcs</p>
<p><b>G</b></p> 	<p><b>H</b></p> 	<p><b>I</b></p> 	<p><b>J</b></p> 	<p><b>K</b></p> 	<p><b>L</b></p> 
<p>M7*48mm Screw 12pcs+1pc extra</p>	<p>Ø8*30mm Dowel 16pcs+2pcs extra</p>	<p>Handle 1pc</p>	<p>M4*20mm Bolt 1pc</p>	<p>Adjustable Foot 1pc</p>	<p>Allen Key 1pc</p>


## 1. Attach Bolts to the Coffee Table Top.



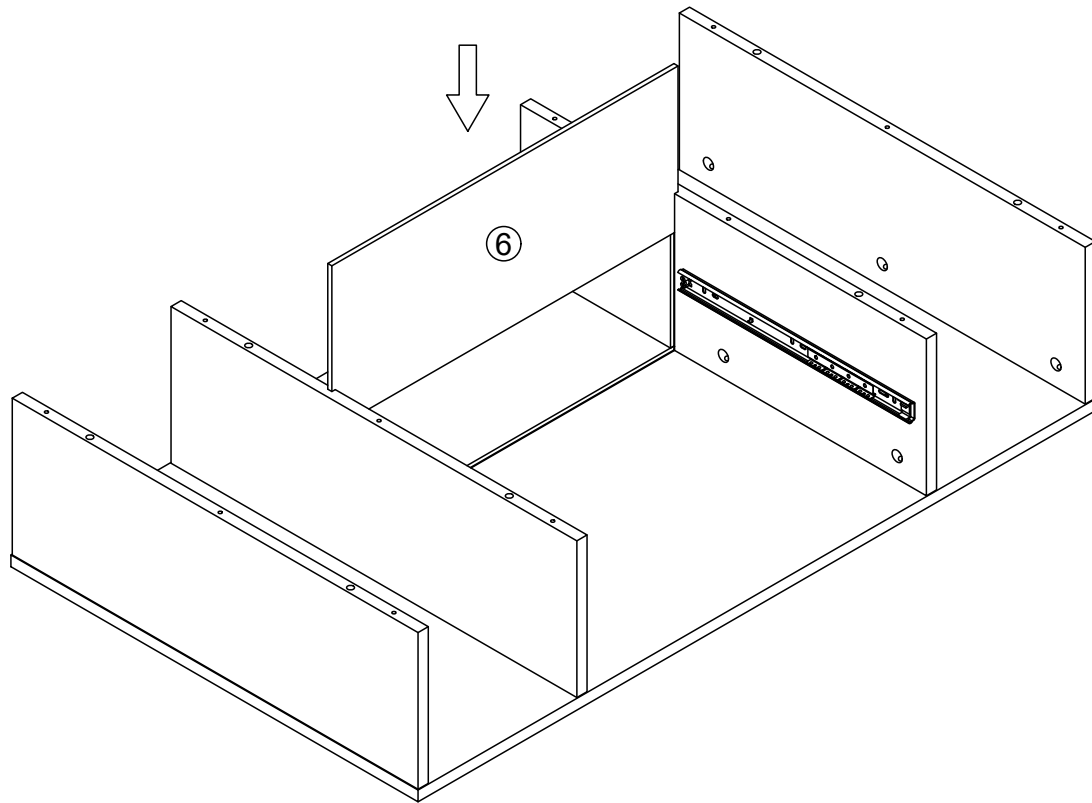
D	H
	
M6*35mm Bolt	Ø8*30mm Dowel
12pcs	8pcs

## 2. Attach Side Panels and Middle Panels to Coffee Table Top.

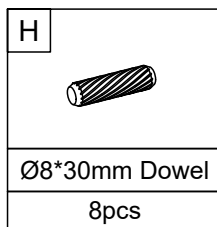
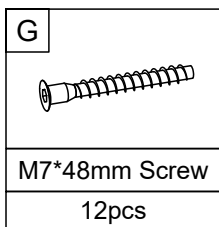
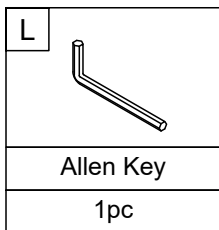
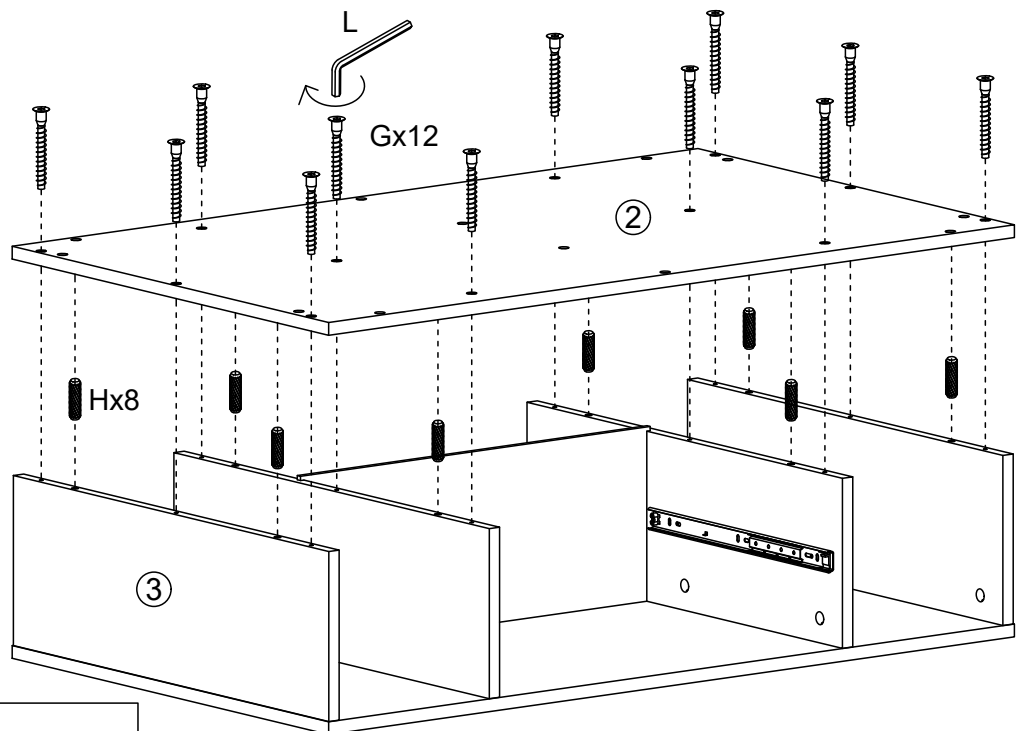


E

Ø15mm Cam Lock
12pcs

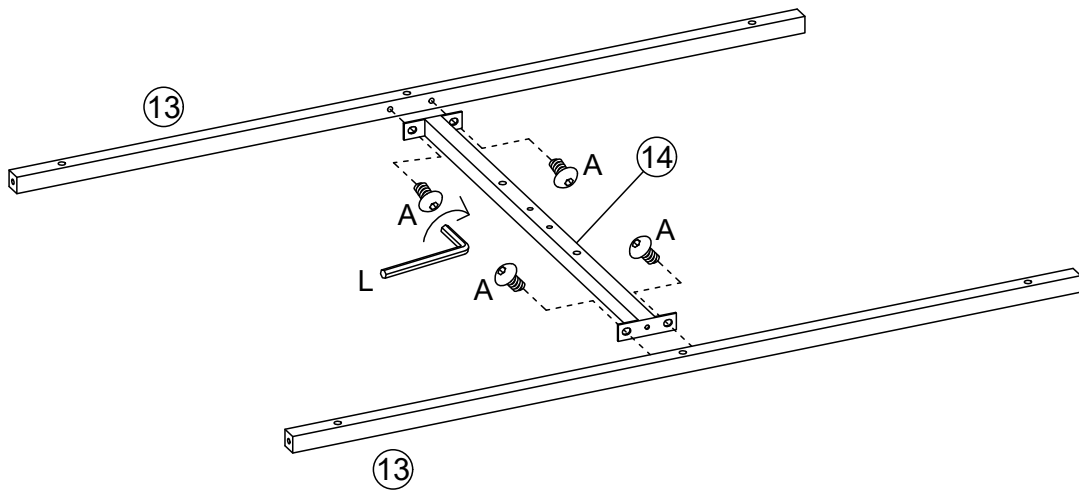
### 3. Slide Back Panel into the Frame.


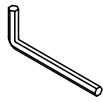


### 4. Attach the Bottom Panel onto the frame.

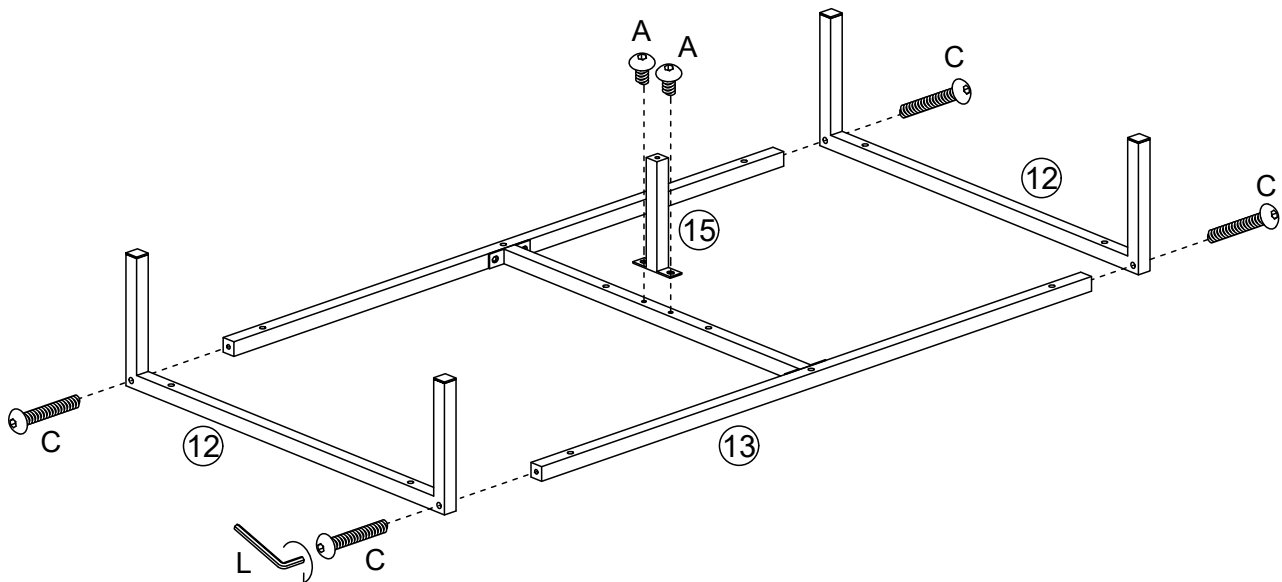




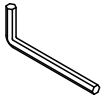
### 5. Attach Leg Centre Support to the Leg Side Support.



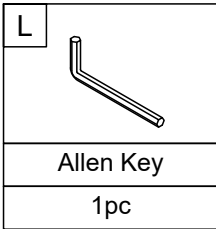
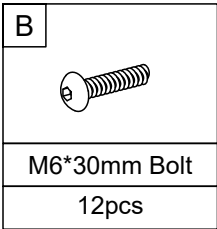
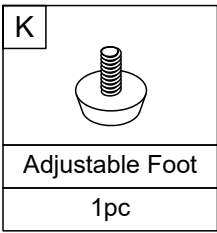
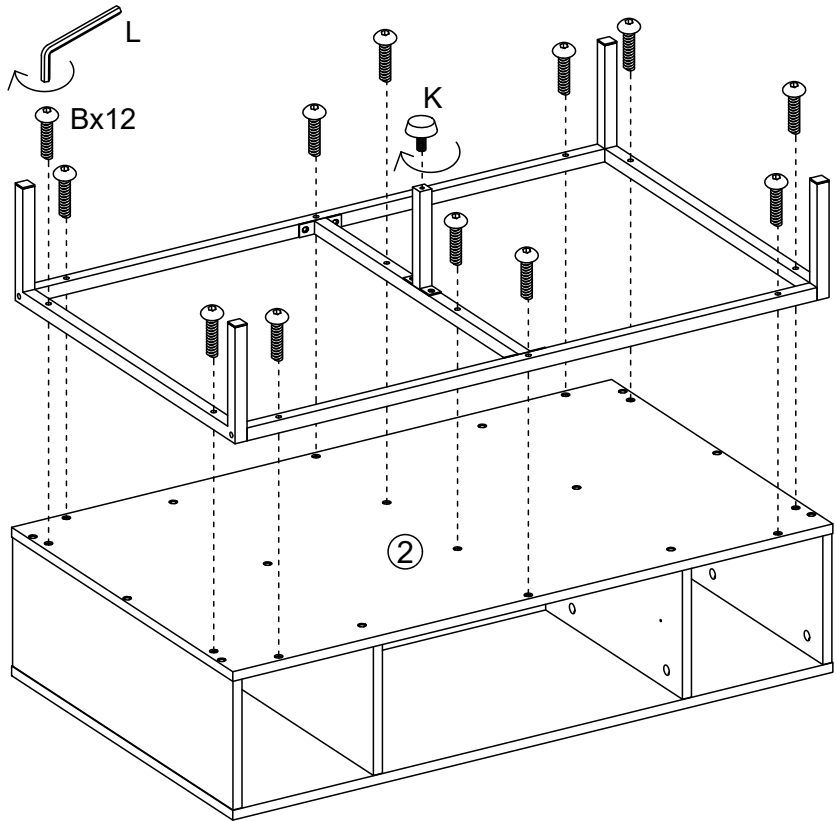
<b>A</b> 	<b>L</b> 
M6*12mm Bolt	Allen Key
4pcs	1pc

### 6. Attach Leg and Centre Leg to the Leg Supports.

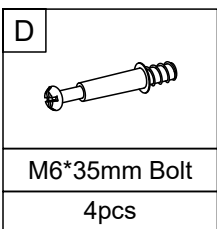
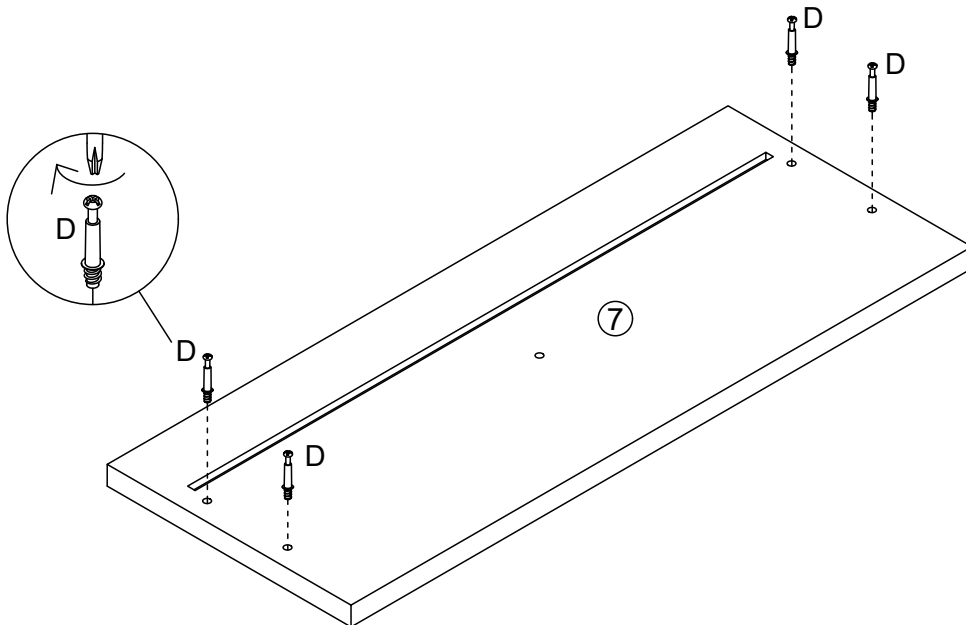


<b>A</b> 	<b>C</b> 	<b>L</b> 
M6*12mm Bolt	M6*40mm Bolt	Allen Key
2pcs	4pcs	1pc

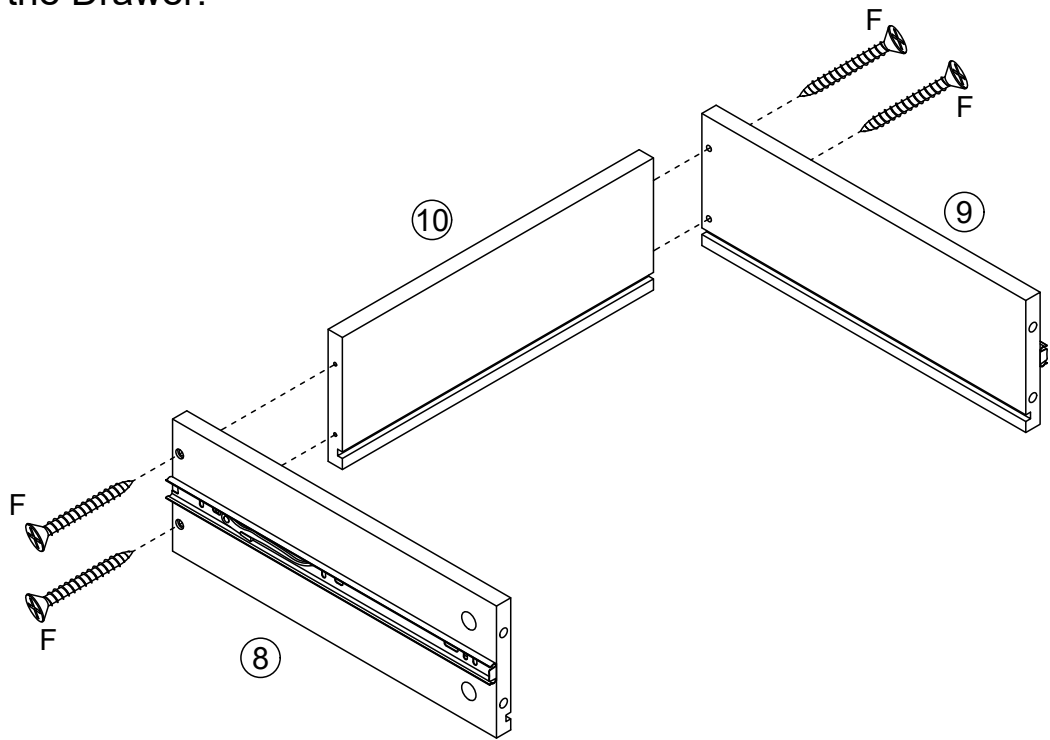
### 7. Attach the Legs to the frame.




### 8. Attach Bolts to the Drawer Front.

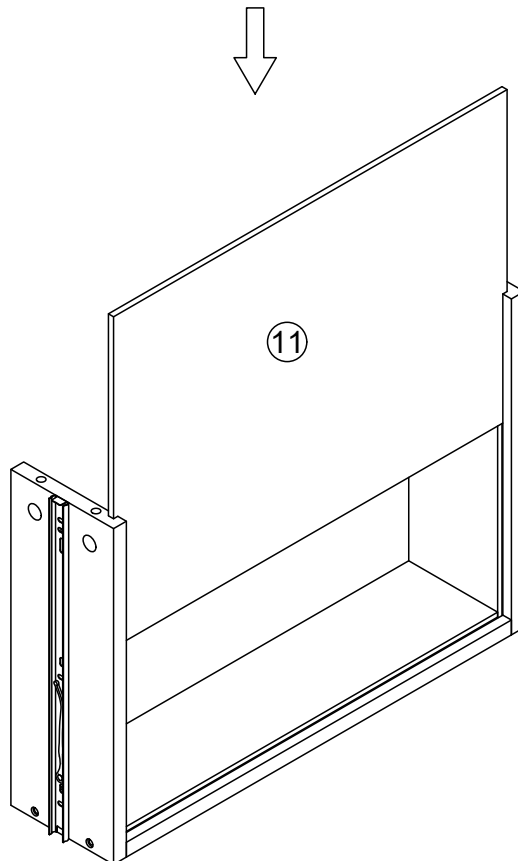


## 9. Assemble the Drawer.



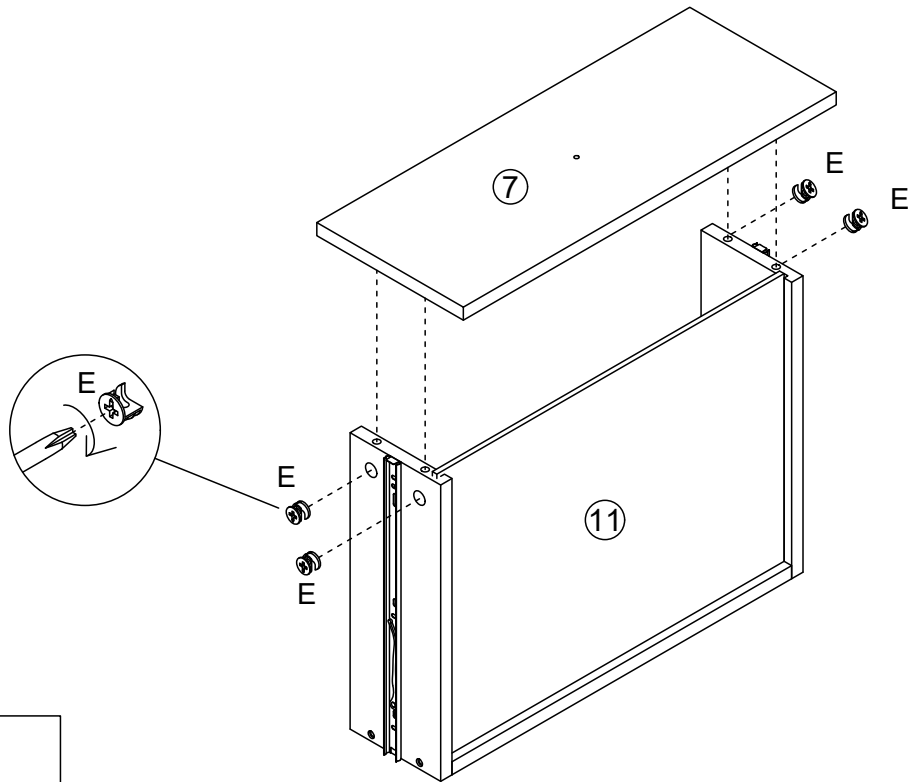
F

M4*35mm Screw
4pcs


## 10. Slide the Drawer Bottom into the Drawer.



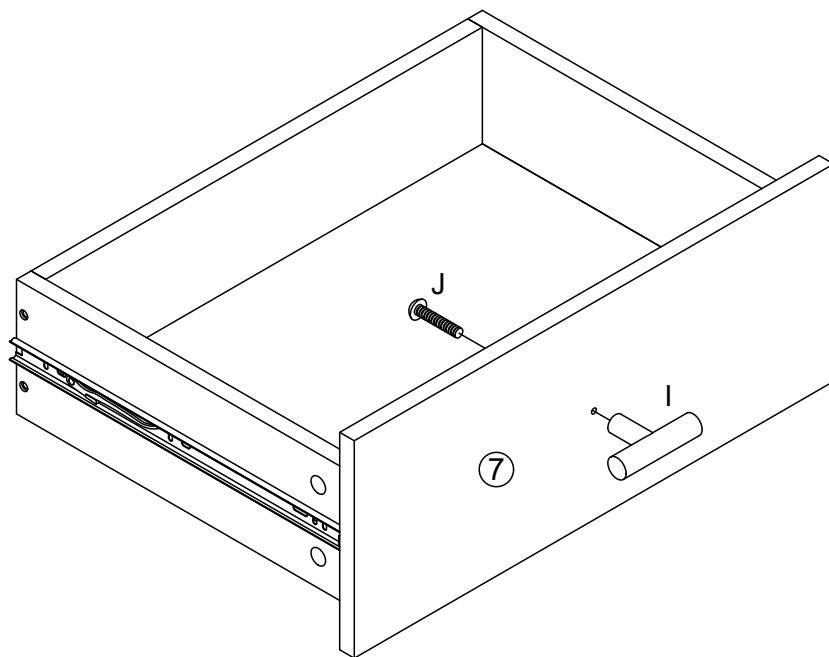


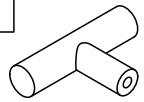
## 11. Attach the Drawer Front and tighten the CAM Locks.




E

Ø15mm Cam Lock
4pcs

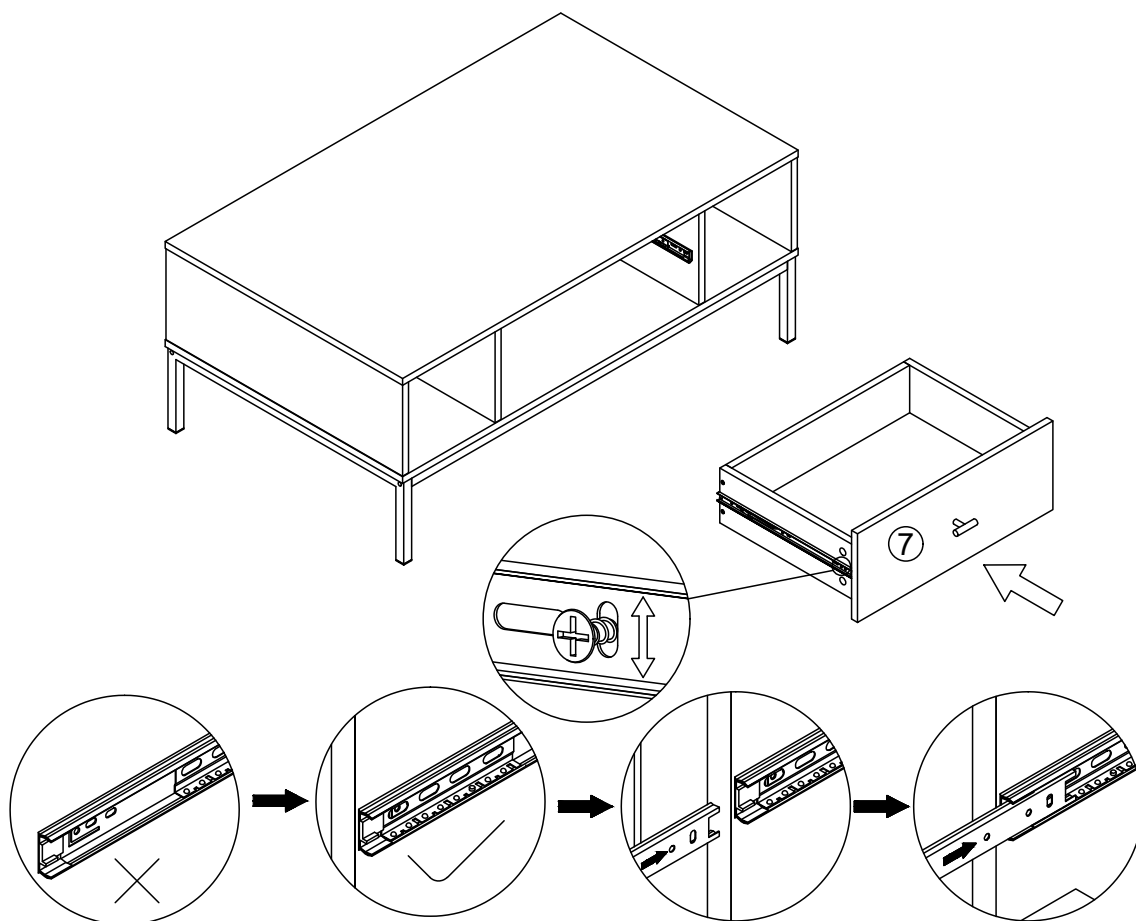
## 12. Attach the Handle.



I

Handle
1pc

J

M4*20mm Bolt
1pc

13. Slide the Drawers into the Frame.



14. The Centre Leg is adjustable if necessary.

