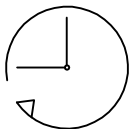
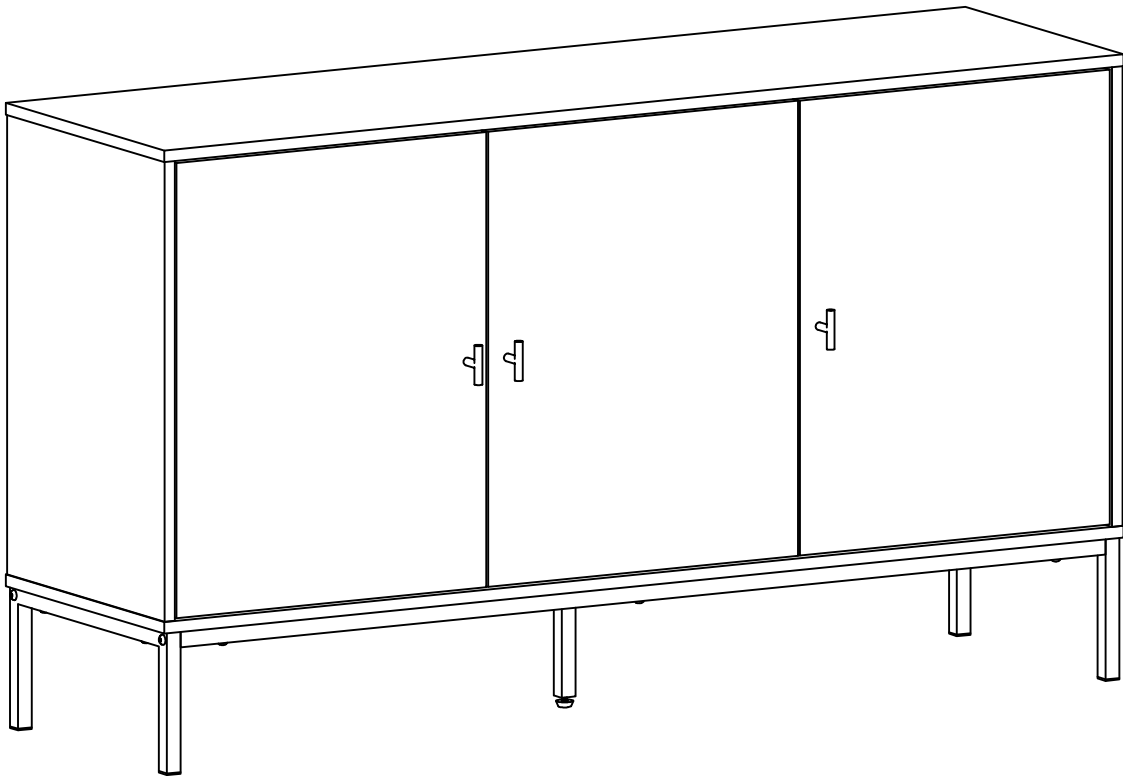
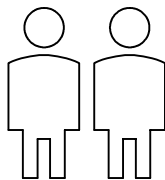


Willow Sideboard



Up to 45 minutes
assembly time



Two person
assembly

This product is intended for domestic use only, not for commercial purposes.

IMPORTANT

ASSEMBLY TIP

Before you begin, it's best to identify all of the parts and fittings to build your Willow Sideboard frame. We advise laying these out on the floor to check you have everything, and to familiarise yourself with all of the parts and fittings before building.

TOP TIP

We recommend that you assemble the Willow Sideboard in the room you'd like it to be located. This will help prevent any risk of damage to the frame whilst moving it.

SAFETY AND CARE

It's important to ensure children and animals are kept away from the assembly area, as there are small components used in this product which could present a choking hazard. All plastic and wrapping materials should also be kept away from children and animals to prevent any risk of suffocation.

HELP AND SUPPORT

Please contact our customer service team on 0113 519 0311 if you have any questions or issues with your purchase.

RECYCLING

Please ensure that packaging is disposed of in a safe and environmentally friendly way, and recycle where possible. Please keep your assembly instructions safe to refer back to in the future.

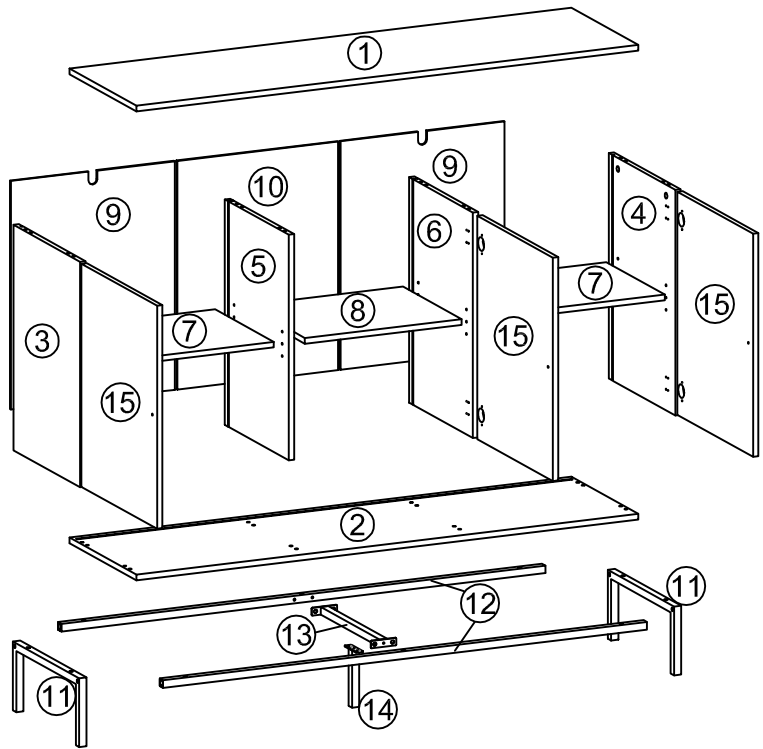
CARE AND MAINTENANCE:

1. Only clean using a damp cloth, do not use bleach or abrasive cleaners as they may damage the finish over time.
2. Do not use a very wet cloth or allow any liquid to contact with the veneer for a long period of time. Wipe any spillage immediately. Absorption can cause wood to warp or finishes to de-laminate.
3. Do not scrub or rub the surface when cleaning.
4. Do not drag the Willow Sideboard when moving, lift it off the floor instead.
5. Use a placemat or a coaster when putting hot items (e.g. hot drinks and dishes) on the wood surface.
6. It is not recommended to place the item next to sources of heat such as radiators, fires or directly exposed to sunlight. This may cause the wood to crack, split or fade due to the heat and humidity.
7. Wood will mellow and change colour over time, we recommend that ornaments and items placed on the surface to be moved regularly to prevent uneven mellowing.
8. Regularly check all fixings to ensure none have come loose. Re-tighten if necessary.
9. Avoid sharp items such as a screwdriver or any pointy tools.
10. Dispose of all packaging carefully and responsibly - recycle where possible.

Parts list




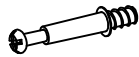




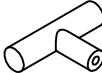


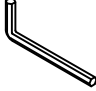

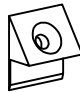





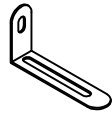
Before you begin building your Willow Sideboard, please take a moment to read through the instructions and make sure that you have all the relevant parts listed on the parts check list.

Part Number	Part Description	Quantity
①	Sideboard Top	1 pc
②	Bottom Panel	1 pc
③	Left Side Panel	1 pc
④	Right Side Panel	1 pc
⑤	Left Middle Panel	1 pc
⑥	Right Middle Panel	1 pc
⑦	Shelf Panel	2 pcs
⑧	Middle Shelf Panel	1 pc
⑨	Back Panel	2 pcs
⑩	Middle Back Panel	1 pc
⑪	Leg	2 pcs
⑫	Leg Side Support	2 pcs
⑬	Leg Centre Support	1 pc
⑭	Centre Leg	1 pc
⑮	Door Panel	3 pcs

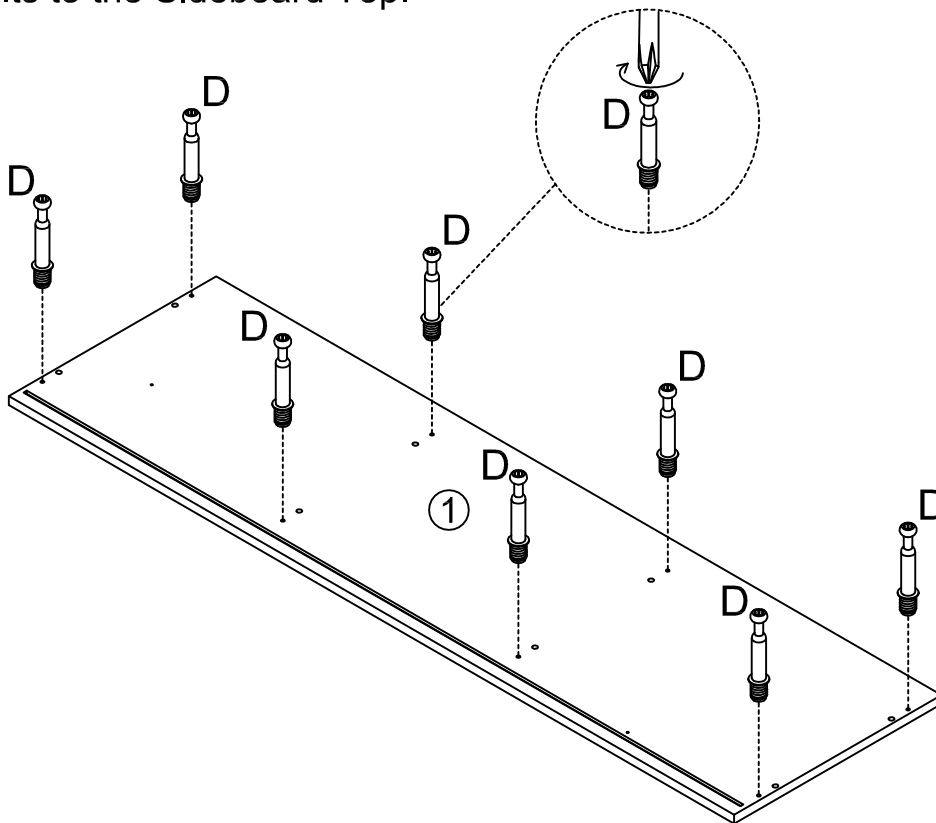


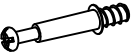
Fittings

Please check you have all the fittings listed below with your product.

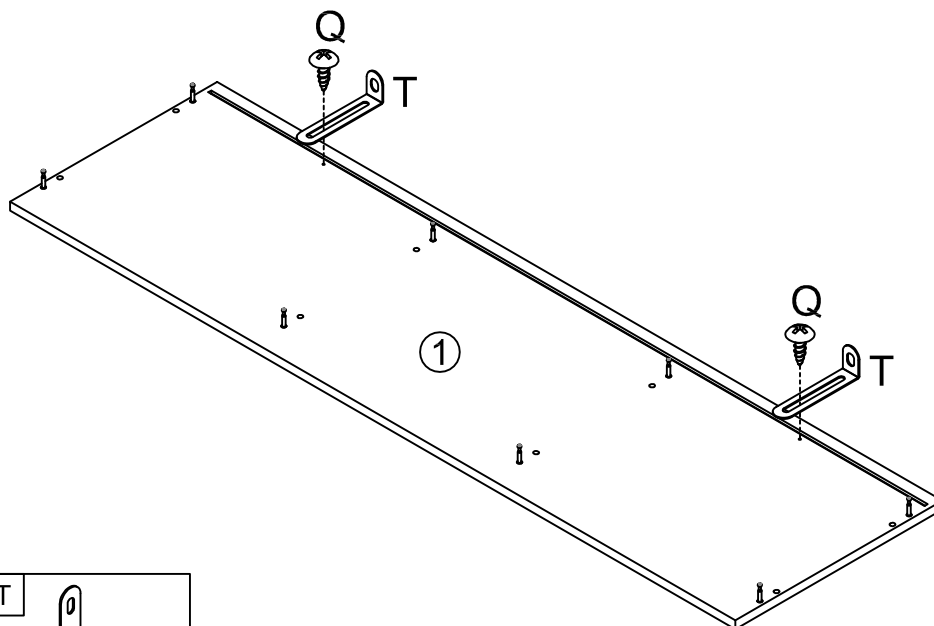
A  M6*12mm Bolt 6pcs+1pc extra	B  M6*30mm Bolt 10pcs+1pc extra	C  M6*40mm Bolt 4pcs	D  M6*35mm Bolt 8pcs+1pcs extra	E  Ø15mm Cam lock 8pcs+1pcs extra	F  Ø7.8*30mm Dowel 16pcs+2pcs extra
G  M7*48mm Screw 8pcs+1pc extra	H  M3.5*14mm Screw 48pcs+4pcs extra	I  Handle 3pcs	J  M4*20mm Bolt 3pcs	K  Adjusting feet 1pc	L  Allen Key 1pc
M  Hinge 4pcs	N  plastic Buckle 12pcs+2pcs extra	O  Hinge 2pcs	P  Ø5*14mm Shelf Pin 12pcs+2pc extra	Q  M4*14mm Screw 2pcs	R  M4*35mm Screw 2pcs
S  Ø6*30mm Wall Plug 2pcs	T  Wall Bracket 2pcs				


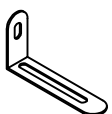
1. Attach Bolts to the Sideboard Top.



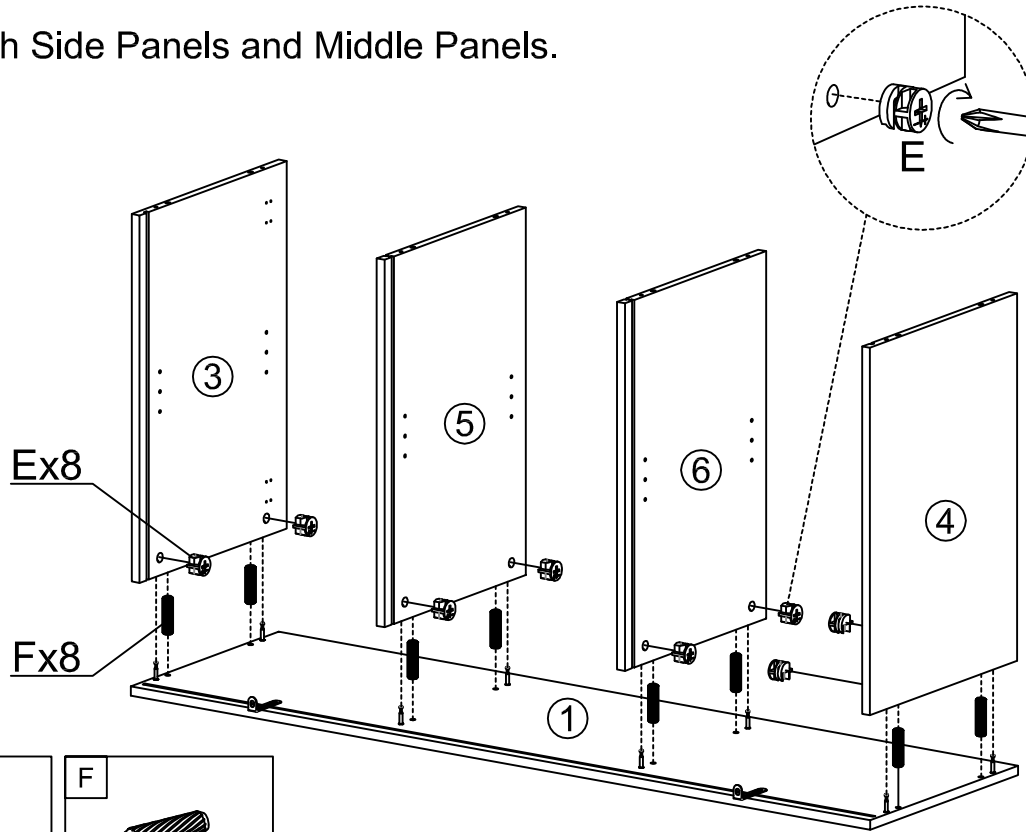
D	
M6*35mm Bolt	
8pcs	



2. Attach Wall Bracket to Sideboard Top.



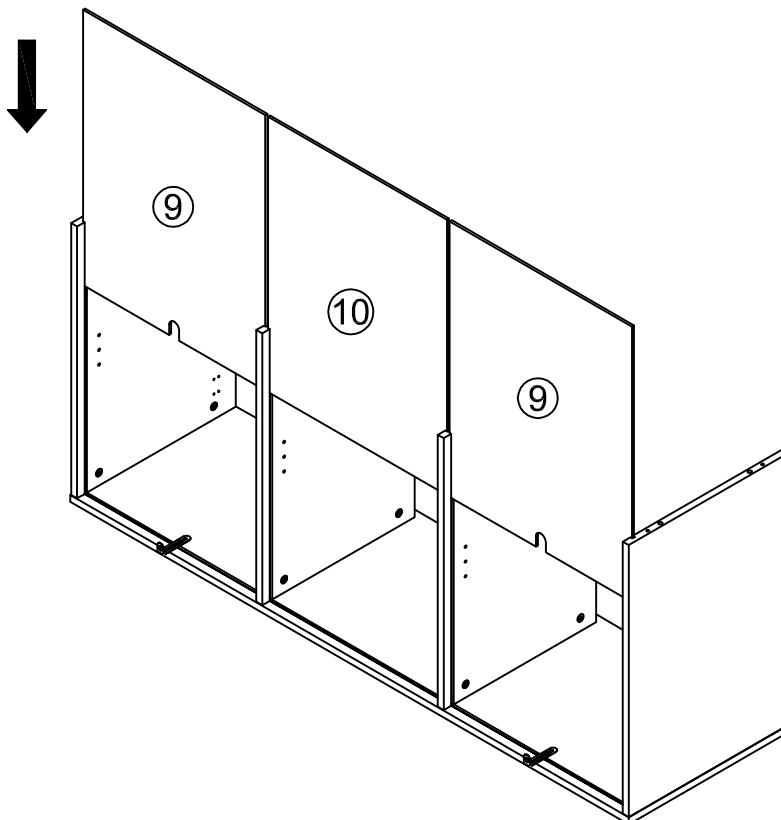
Q		T	
M4*14mm Screw		Wall Bracket	
2pcs		2pcs	

3. Attach Side Panels and Middle Panels.

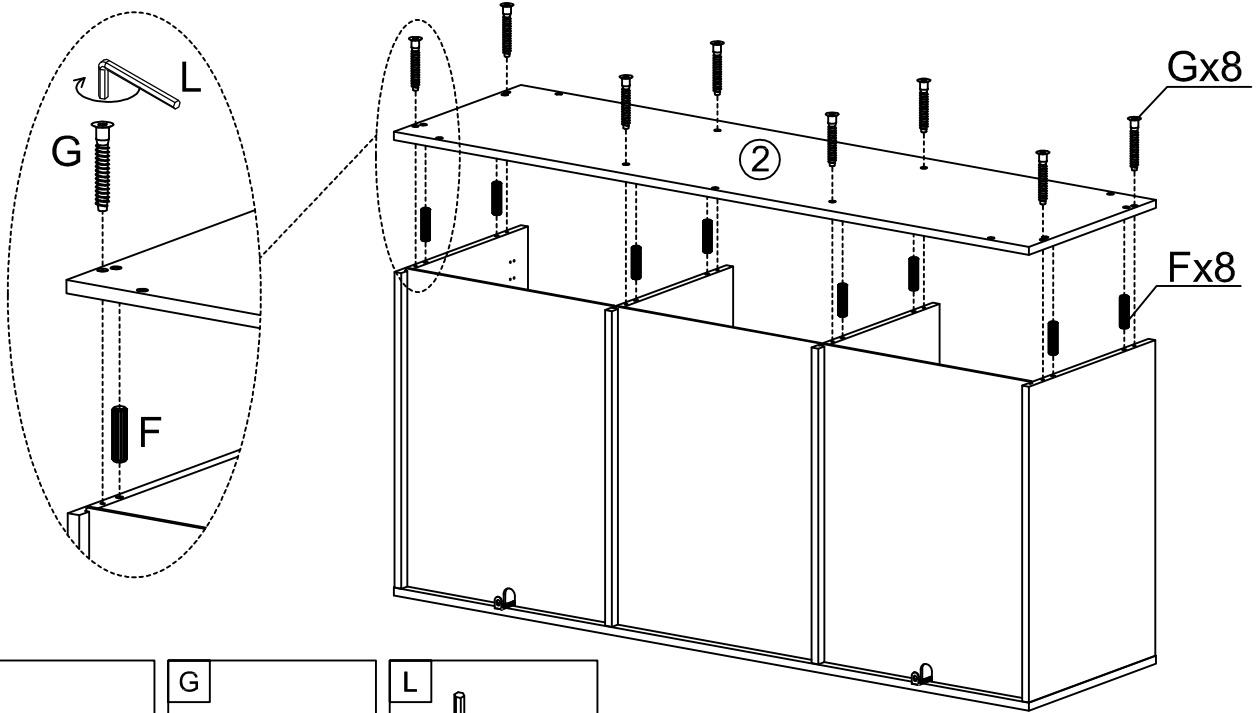




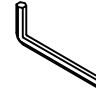
E 	F 
Ø15mm Cam lock	Ø7.8*30mm Dowel
8pcs	8pcs

4. slide Back Panels into the Frame.

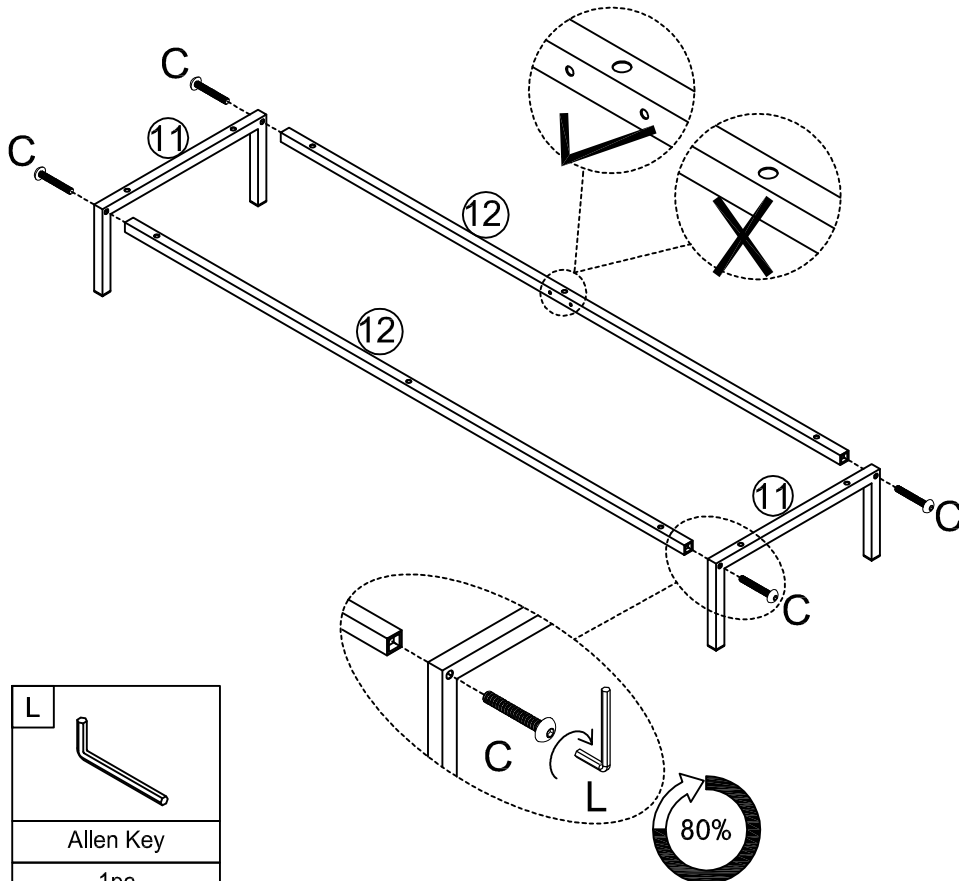



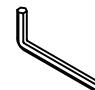
5. Attach the Bottom Panel onto the frame.



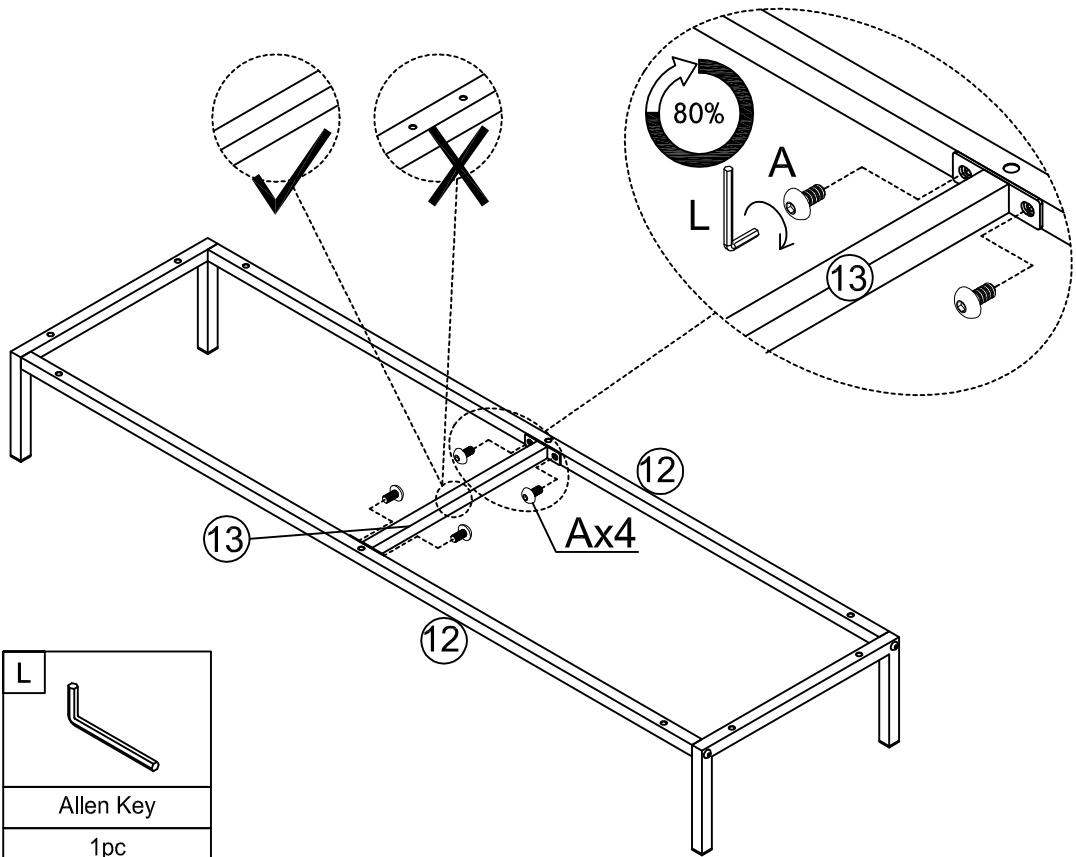
<p>F</p> 	<p>G</p> 	<p>L</p> 
<p>Ø7.8*30mm Dowel</p> <p>8pcs</p>	<p>M7*48mm Screw</p> <p>8pcs</p>	<p>Allen Key</p> <p>1pc</p>


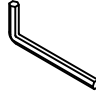
6. Attach the Leg Side Support to the Legs.



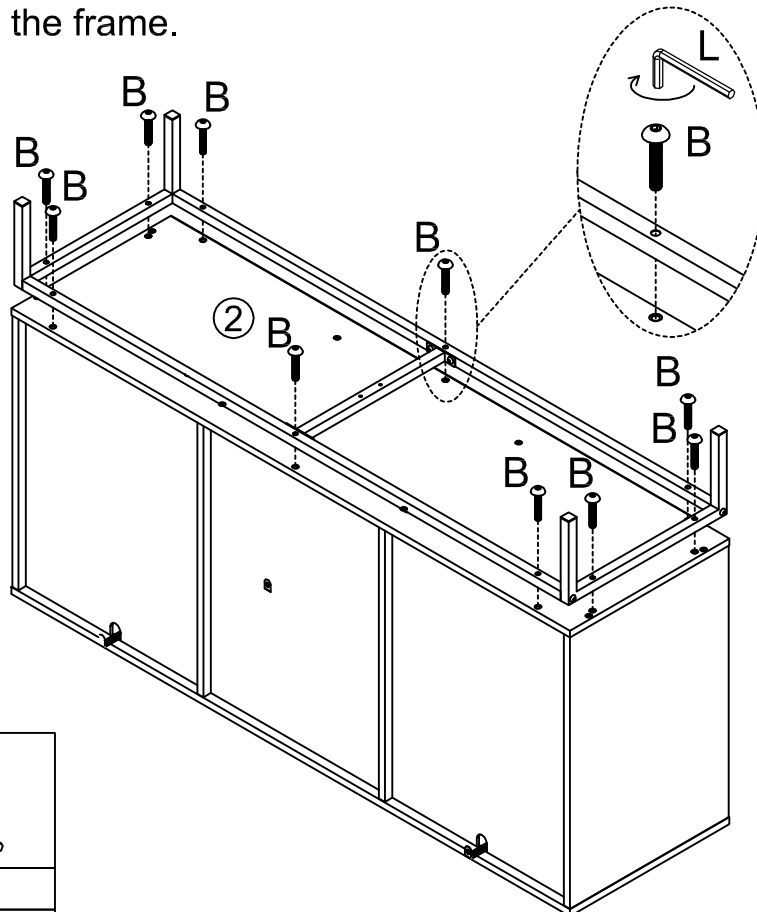
<p>C</p> 	<p>L</p> 
<p>M6*40mm Bolt</p> <p>4pcs</p>	<p>Allen Key</p> <p>1pc</p>


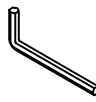
7. Attach the Leg Centre Support.



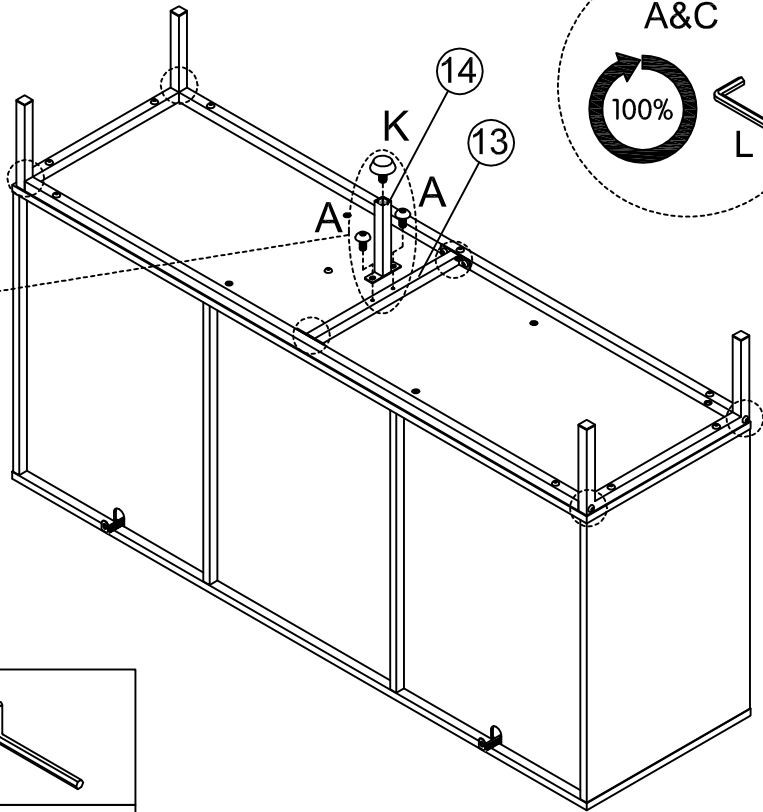
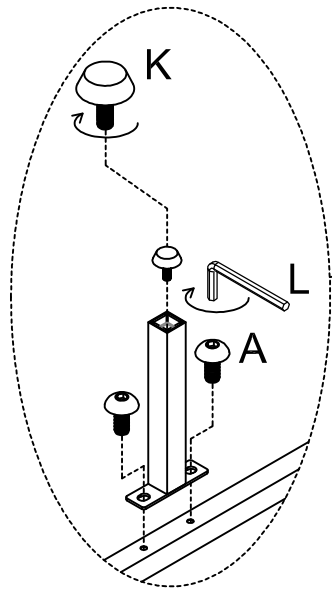
A 	L 
M6*12mm Bolt 4pcs	Allen Key 1pc


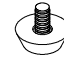
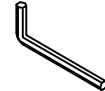
8. Attach the Legs to the frame.



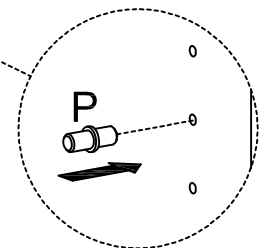
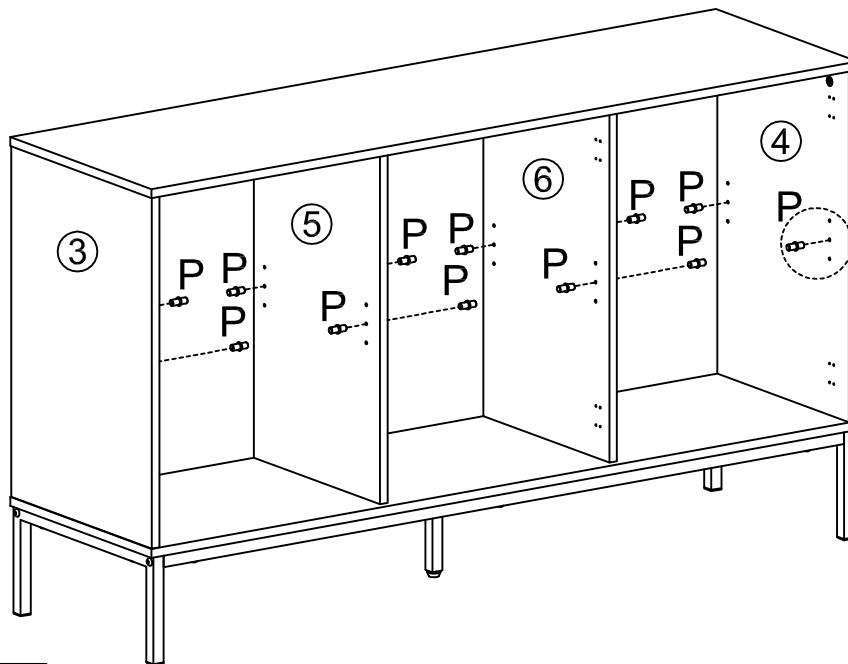
B 	L 
M6*30mm Bolt 10pcs	Allen Key 1pc


9. Attach the Centre Leg.



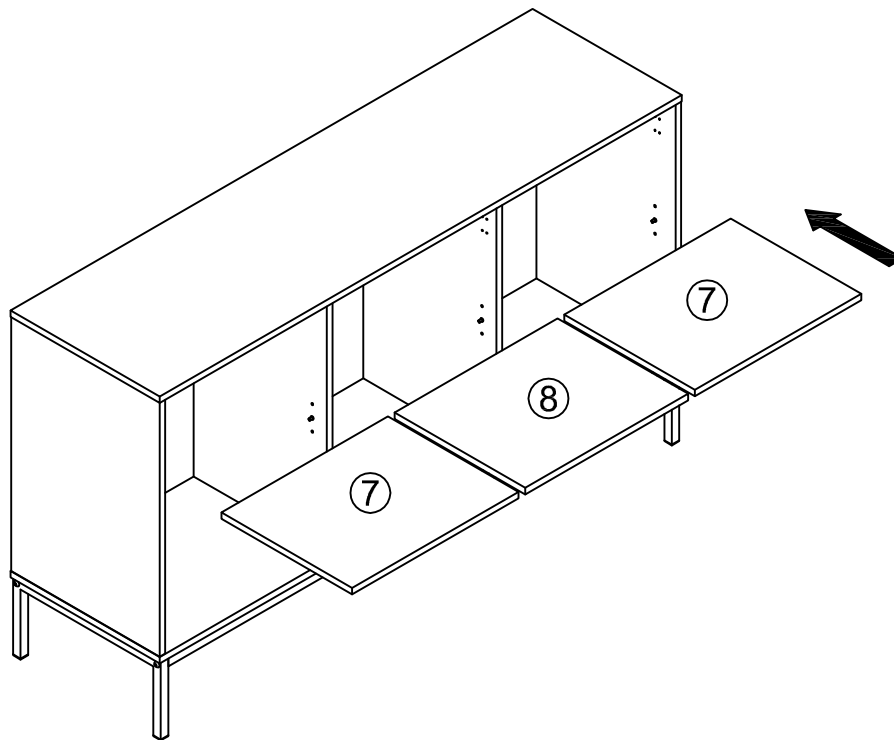
A 	K 	L 
M6*12mm Bolt 2pcs	Adjusting feet 1pc	Allen Key 1pc

10. Attach the Shelf pins to the frame.

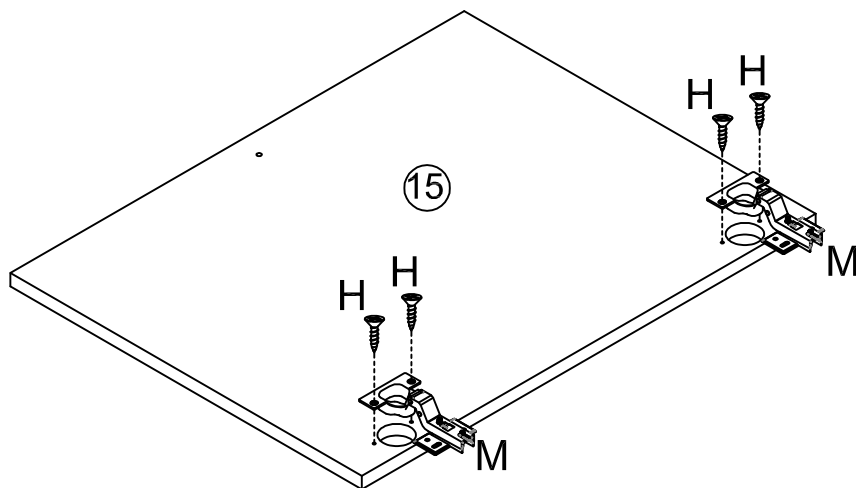


P 
Ø5*14mm Shelf Pin 12pcs



11. Slide the shelves into the frame.



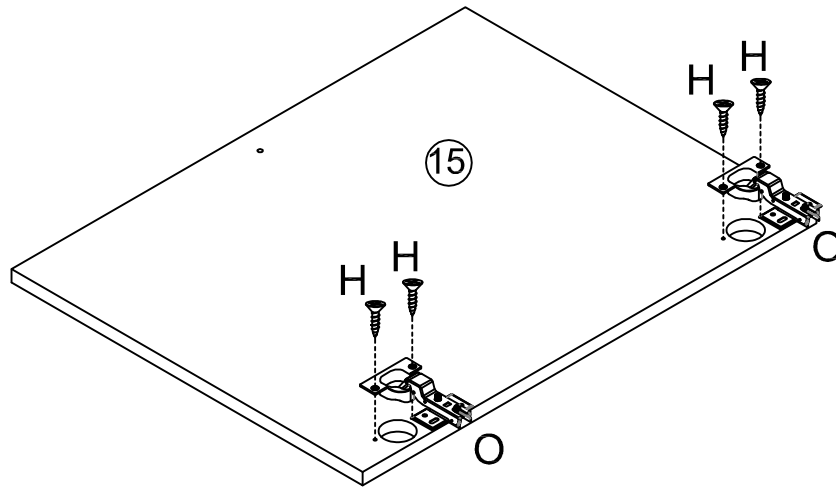
12. Attach the Hinges to the Door Panel.





X2

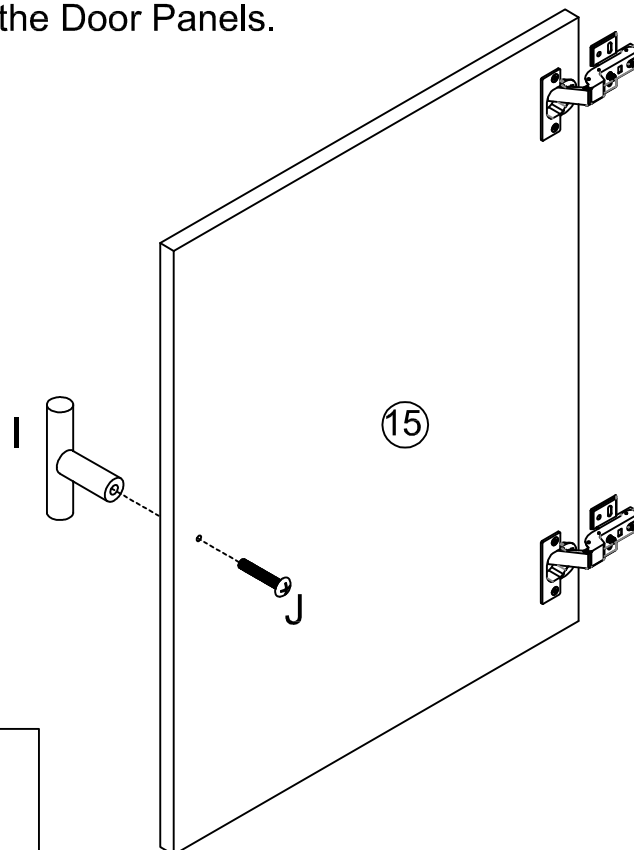
H	M
	
M3.5*14mm Screw	Hinge
8pcs	4pcs

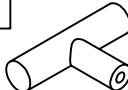

13. Attach the Hinges to the Door Panel.



H 	O 
M3.5*14mm Screw	Hinge
4pcs	2pcs

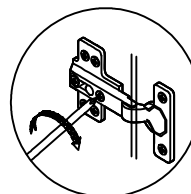
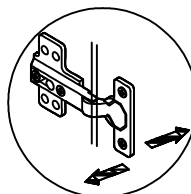
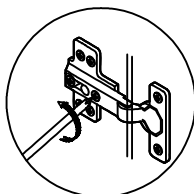
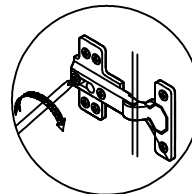
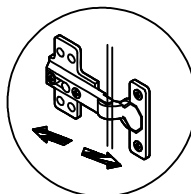
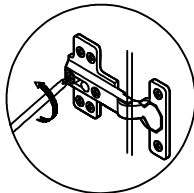
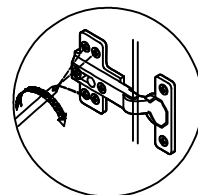
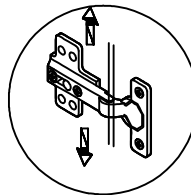
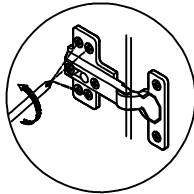
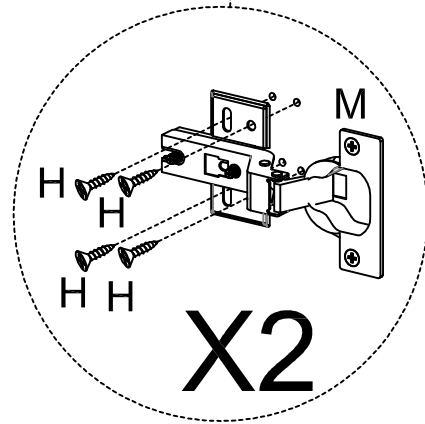
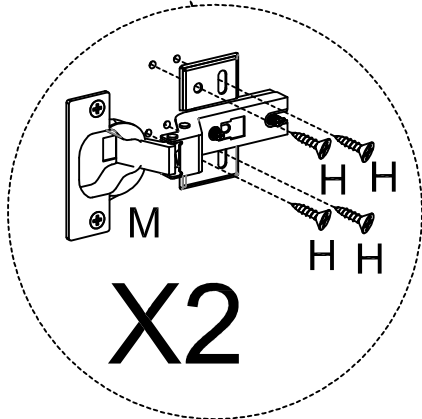
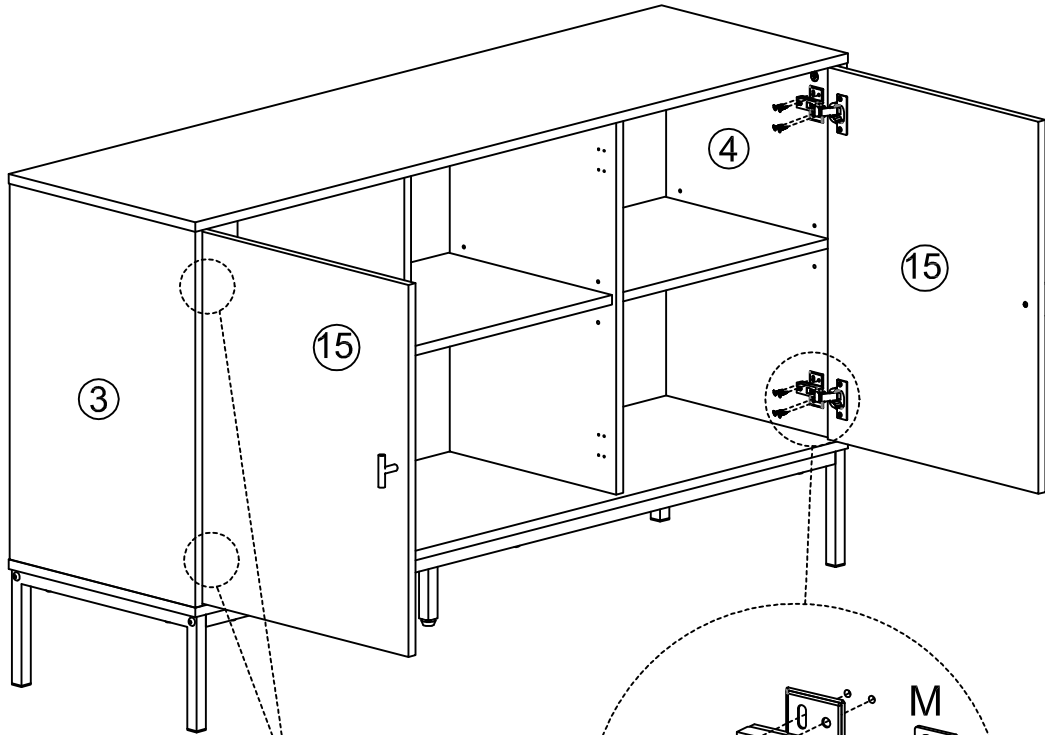
14. Attach Handles to the Door Panels.




I 	J 
Handle	M4*20mm Bolt
3pcs	3pcs

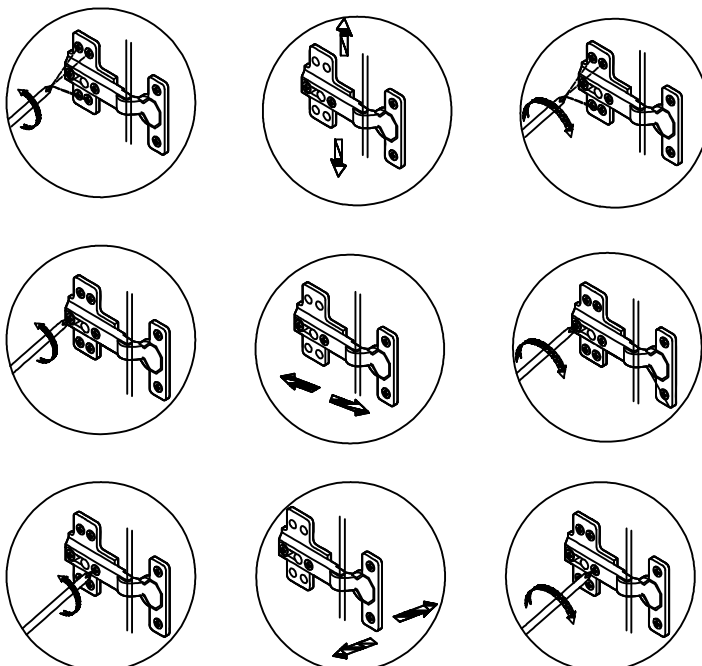
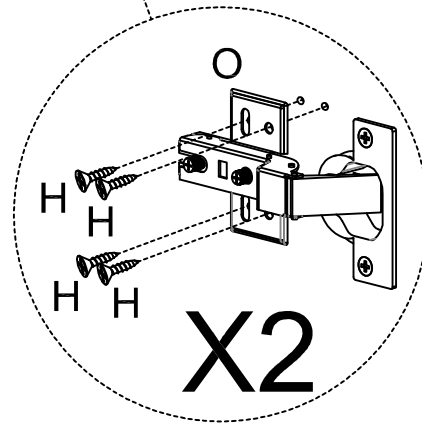
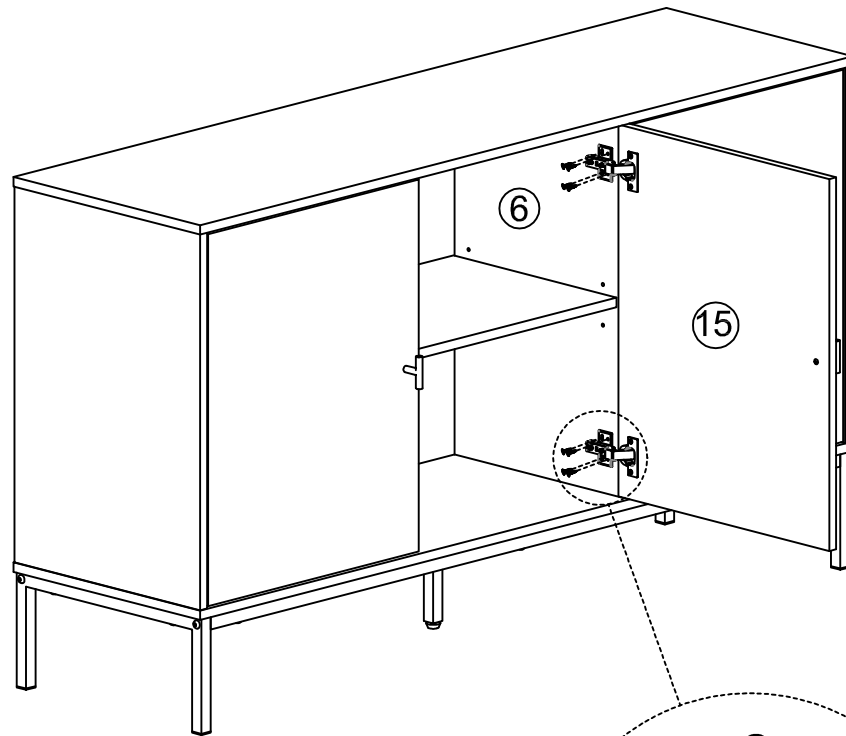
X3


15. Attach the Door Panels to the frame.



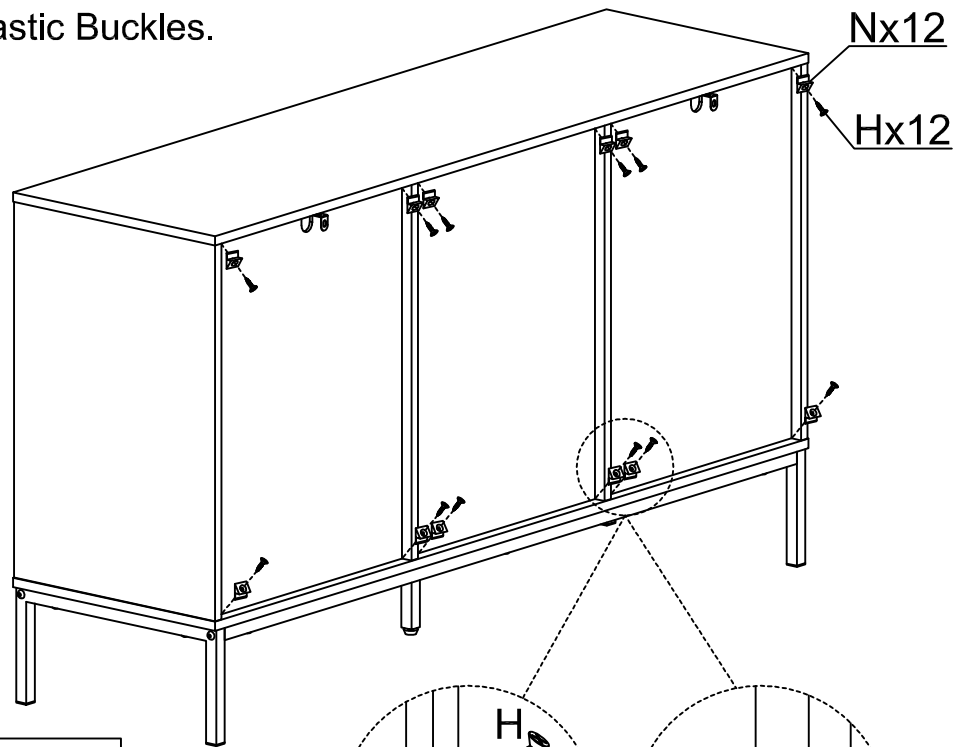
H

M3.5*14mm Screw
16pcs



16. Attach the Door Panel to the frame.

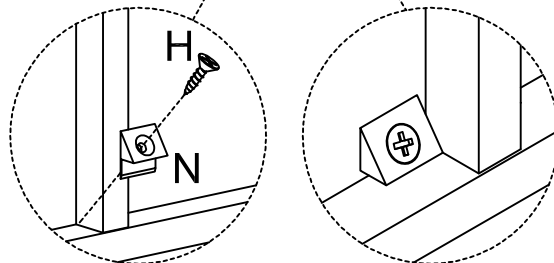


H

M3.5*14mm Screw
8pcs

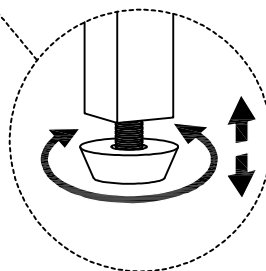
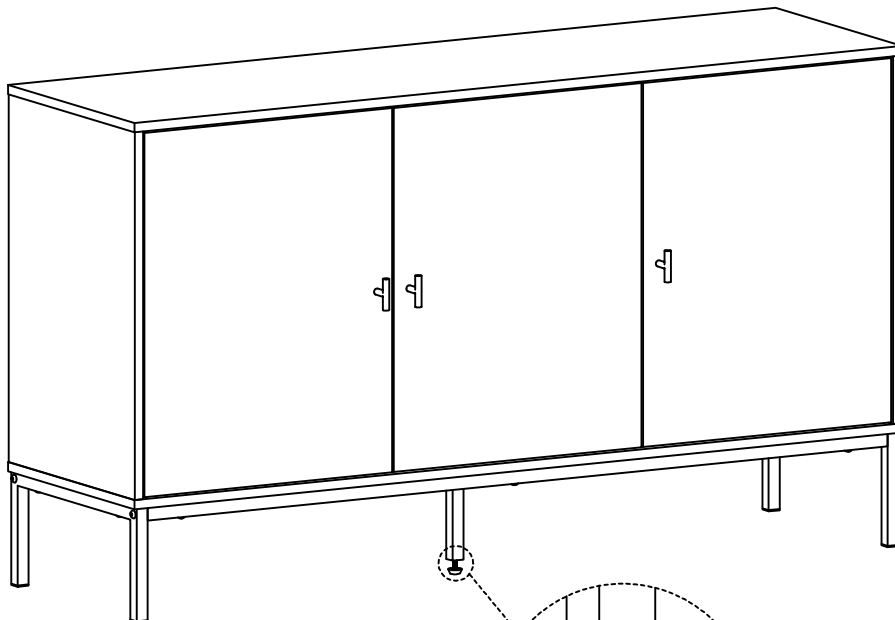
17. Attach the Plastic Buckles.



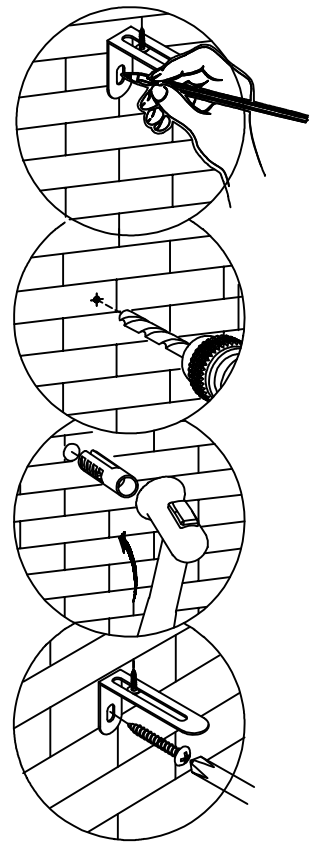
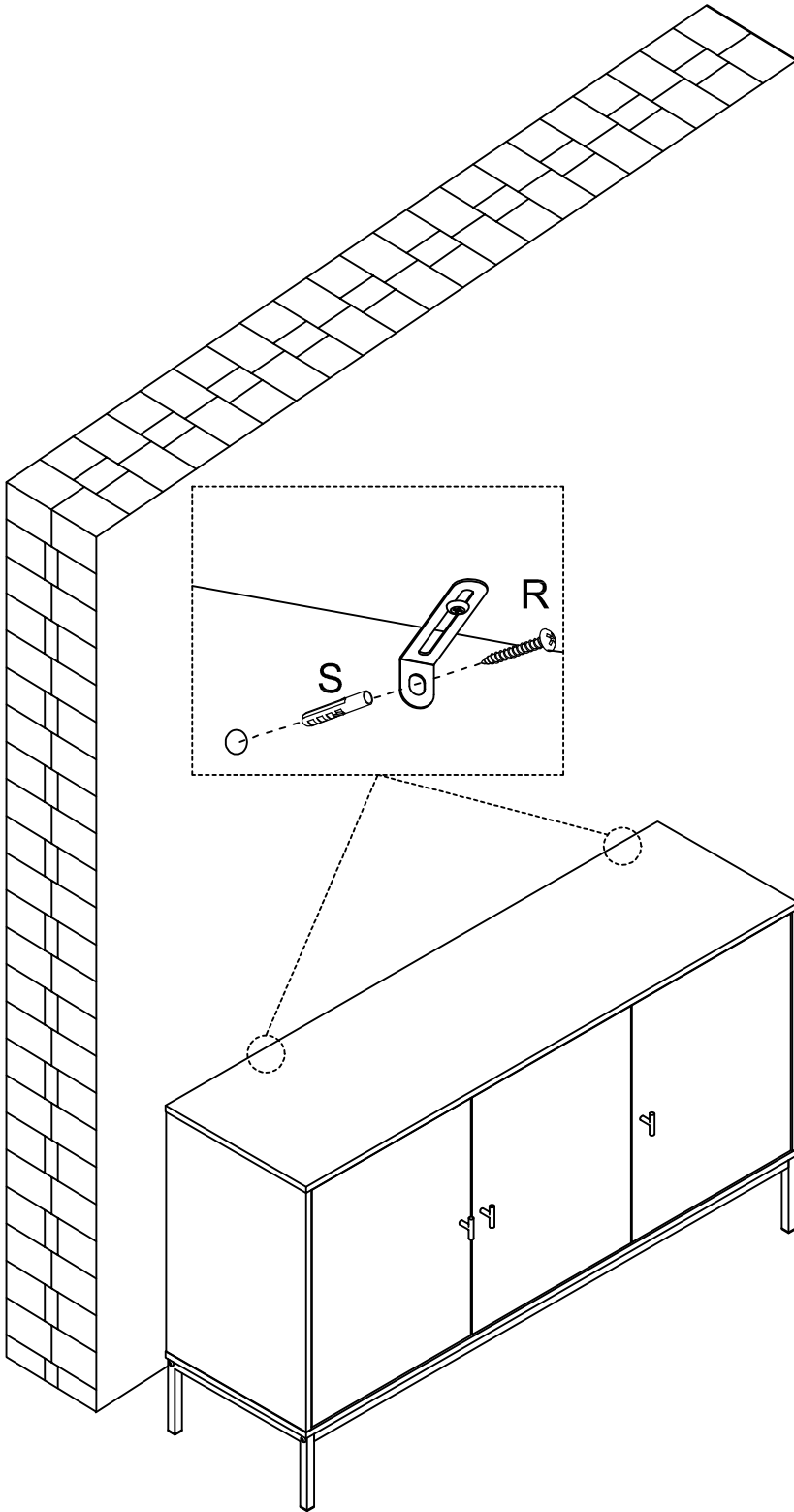
H	N
	
M3.5*14mm Screw	plastic Buckle
12pcs	12pcs





18. The Centre Leg is adjustable if necessary.



19. Fix the Wall Bracket to the wall.



R		S	
M4*35mm Screw		Ø6*30mm Wall Plug	
2pcs		2pcs	