

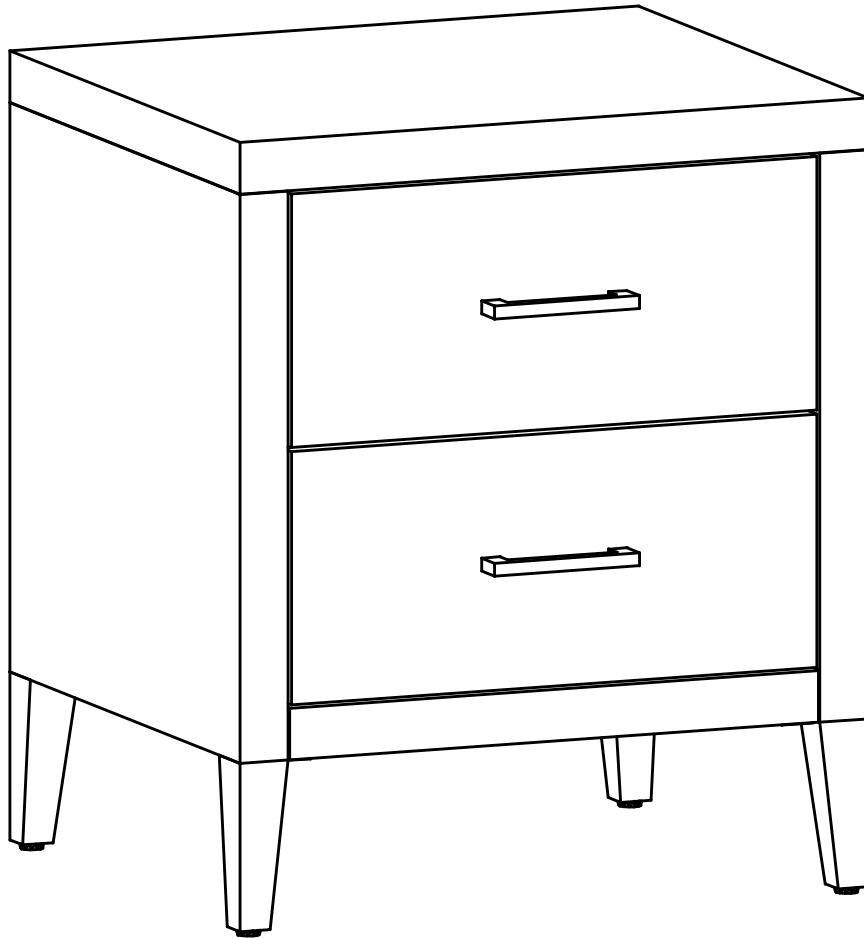
# DUSK.COM

LIVING | BEDROOM | DINING

Range Name: Blair

Box dimensions: L63 x W56 x H66 (cm)

## Bedside Table



**THIS INSTRUCTION BOOKLET CONTAINS IMPORTANT SAFETY INFORMATION.  
PLEASE READ AND KEEP FOR FUTURE REFERENCE.**



30 minutes approx  
assembly time



Adult  
assembly required

This product is intended for domestic use only, not for commercial purposes.

Page 1

# Important

## Assembly Tip

Before you begin, we advise laying everything out on a clean and soft level surface to avoid damaging the unit or your floor. It's best to identify all of the parts and fittings to build your bedside table, and to familiarise yourself with all of the parts and fittings before building.

## Top Tip

We recommend that you build your new bedside table in the room you'd like it to be located. This will help prevent any risk of damage to the product whilst moving it.

## Safety and Care

1. It's important to ensure children and animals are kept away from the assembly area, as there are small components used in this bedside table which could present a choking hazard. All plastic and wrapping materials should also be kept away from children and animals to prevent any risk of suffocation.
2. Do not stand on your product.
3. Always use the item on firm level ground, ensuring all legs remain in contact with the ground.
4. Place heaviest items in the lowest drawers.
5. Do not set TV or other heavy objects on top of the product.
6. Children should always be under supervision whilst using this product. Never allow children to climb on the drawers.
7. Never keep more than one drawer open at the same time.
8. The installation of anti tipping kit to secure your furniture is strongly suggested.
9. Serious or fatal crushing injuries can occur from tipping furniture.

## Help and Support

Please contact our customer service team on 0113 519 0311 if you have any questions or issues with your purchase.

## Recycling

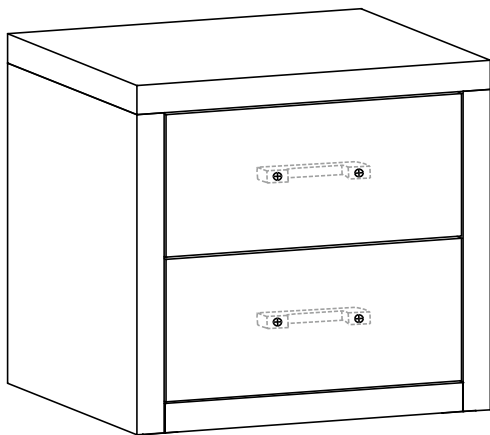
Please ensure that packaging is disposed of in a safe and environmentally friendly way, and recycle where possible. Please keep your assembly instructions safe to refer back to in the future.

# Care and Maintenance

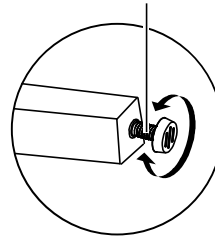
1. Only clean using a damp cloth, do not use bleach or abrasive cleaners as they may damage the finish over time.
3. Do not scrub or rub the surface when cleaning.
2. Do not use a very wet cloth or allow any liquid to contact with the veneer for a long period of time. Wipe any spillage immediately. Absorption can cause wood to warp or finishes to de-laminate.
4. Do not drag the bedside table when moving, lift it off the floor instead.
5. Use a placemat or a coaster when putting hot items (e.g. hot drinks and dishes) on the wood surface.
6. It is not recommended to place the item next to sources of heat such as radiators, fires or directly exposed to sunlight. This may cause the wood to crack, split or fade due to the change of the humidity and temperature.
7. Wood will mellow and change colour over time, we recommend that ornaments and items placed on the surface to be moved regularly to prevent uneven mellowing.
8. Regularly check all fixings to ensure none have come loose. Re-tighten if necessary.
9. Avoid sharp items such as a screwdriver or any pointy tools.

# Parts checklist

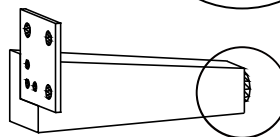
Please check you have all the parts listed below with your product:  
Do not discard any of the packaging until you have checked that you have all the parts and the pack of fixings.



Adjustable foot protector



(Handles are pre-attached inside of the drawers)



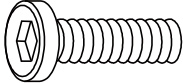
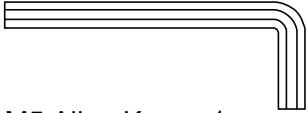
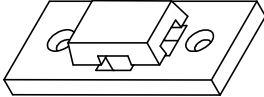




**1** Bedside Table x1pc

**2** 120mm Leg x4pcs

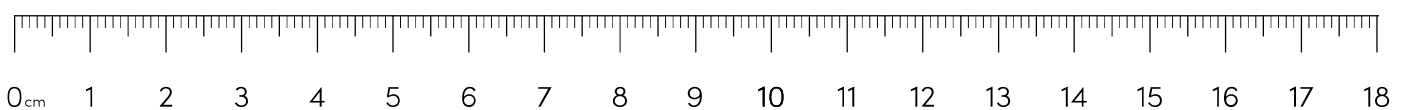
**3** 125mm Handle x2pcs

# Fittings checklist

Please check you have all the fittings listed below with your product:

 <p><b>A</b> M8x20mm Bolt x12pcs</p>	 <p><b>B</b> M5 Allen Key x1pc</p>	 <p><b>C</b> Plastic Bracket x4pcs</p>
 <p><b>D</b> M3x20mm Screw x4pcs</p>	 <p><b>E</b> 30mm Wall Plug x4pcs</p>	 <p><b>F</b> M3x30mm Screw x4pcs</p>
 <p><b>G</b> 250mm Nylon Strap x2pcs</p>		

## Bolt Length Ruler:



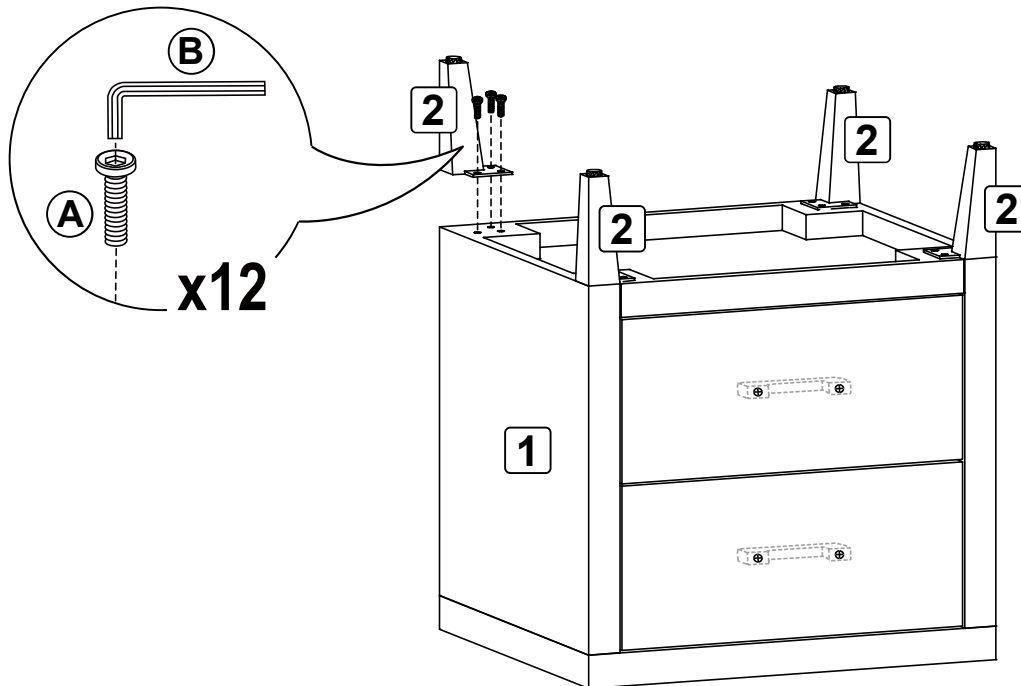
## Tool required

  Crosshead Screwdriver (not provided)

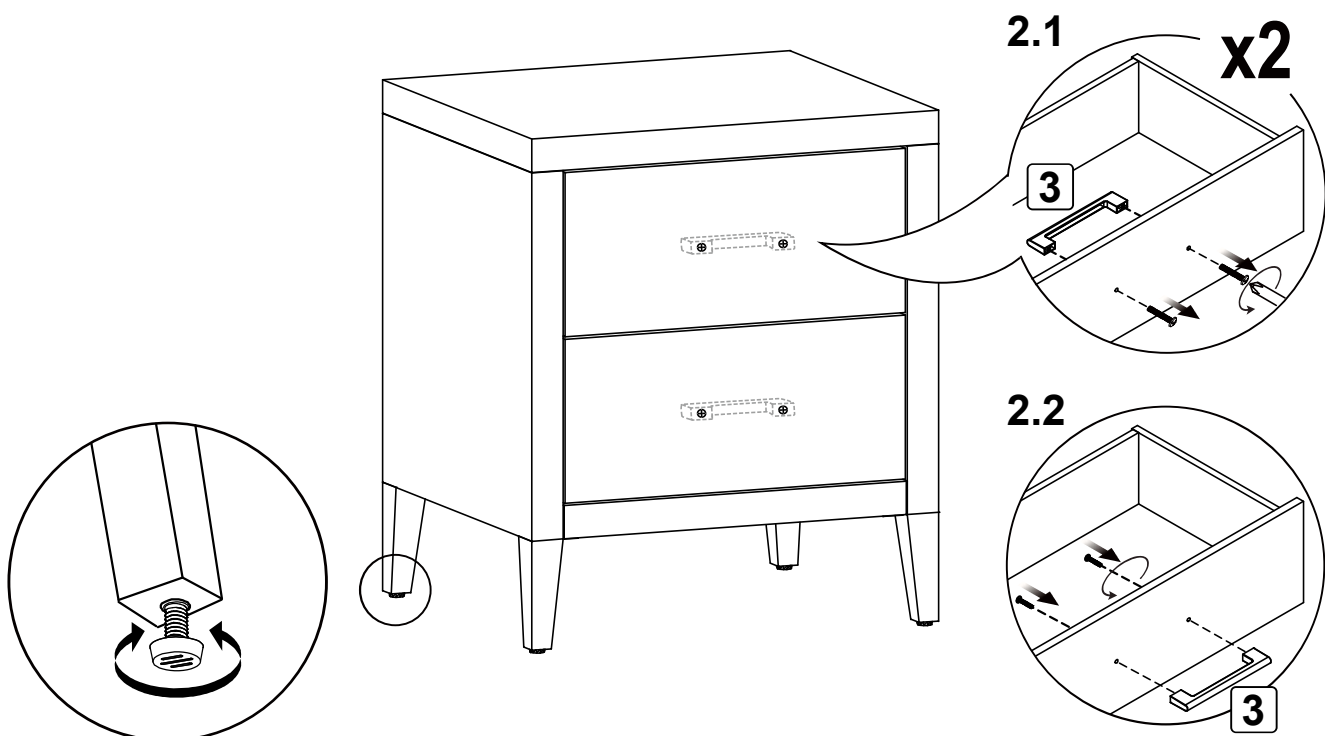
## Step 1: Attaching the legs to the bottom of bedside table


**A**  12pcs

**B**  1pc



**Step 2:** Drawer handles are pre-assembled reversely.  
Disassemble the handle and re-attach as shown in the figure.

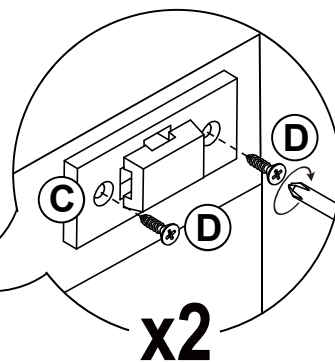
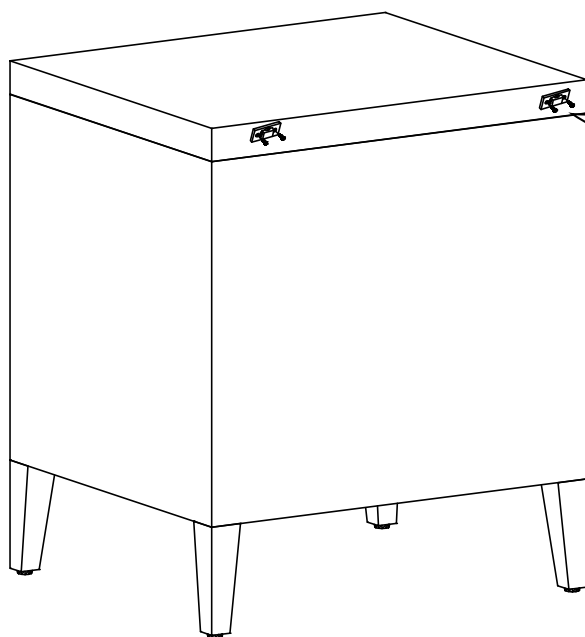


 Adjust the balance of the bedside table by adjusting the adjustable foot protector.

### Step 3: Anti Tipping Kit Installation on the item

(C)  2pcs

(D)  4pcs



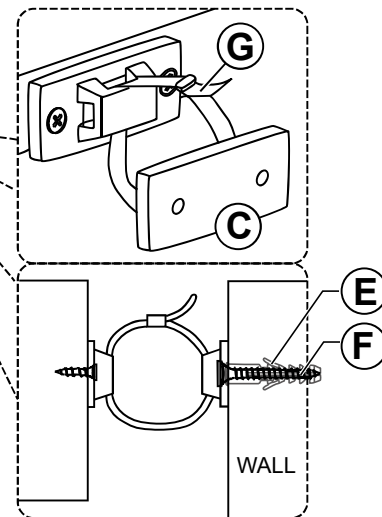
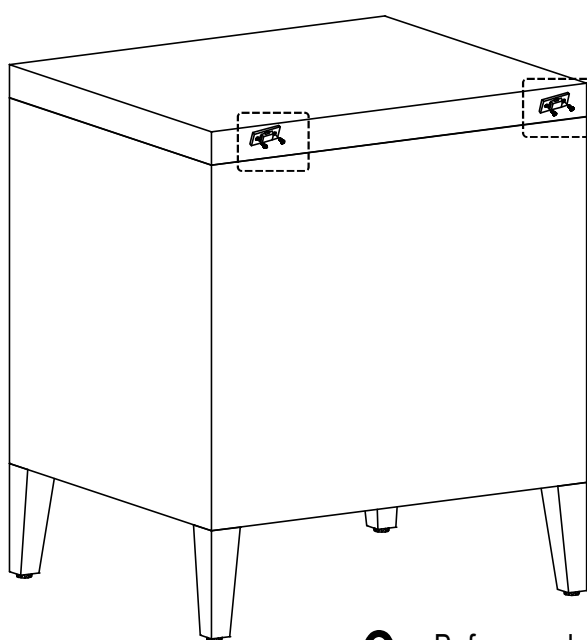
### Step 4: Anti Tipping Kit Installation on the wall

(C)  2pcs

(E)  4pcs

(F)  4pcs

(G)  2pcs



Before applying the bracket to the wall, check pipes and cables that may be hidden behind.

**WARNING:** Manufacturer assumes no liability for improper installation or excessive loads placed on screws or bracket. This wall anchor is not a substitute for proper adult supervision.