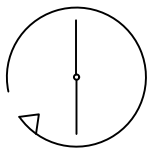
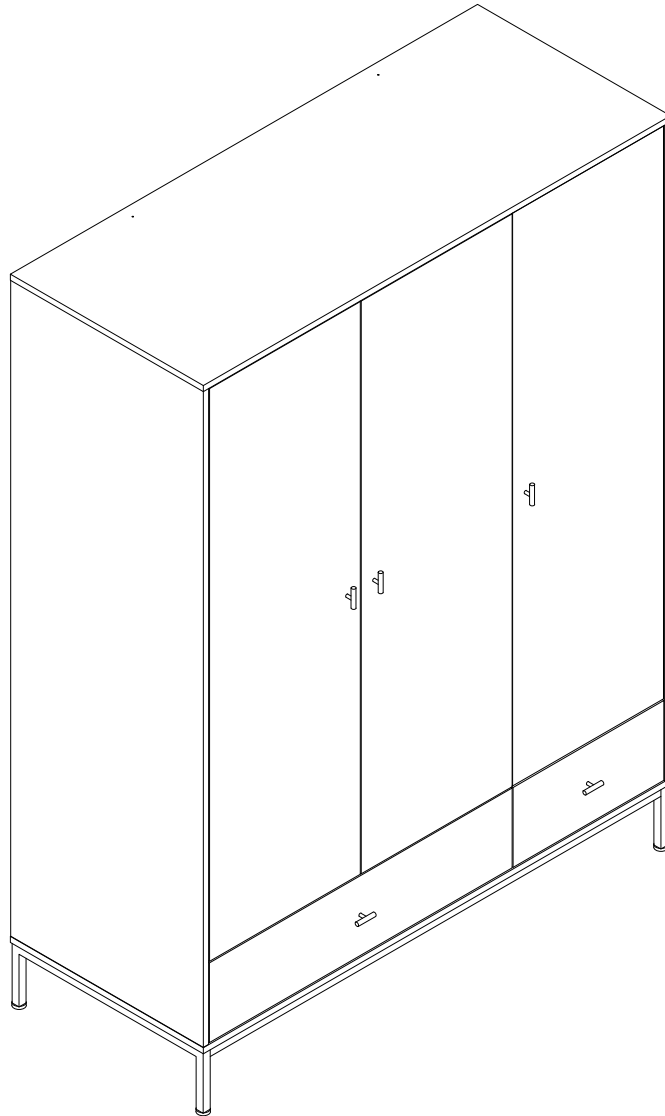


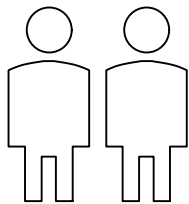
DUSK.COM
LIVING | BEDROOM | DINING

Range Name : Willow
Box 1 dimensions : 177x66x19cm
Box 2 dimensions : 148x66x13cm

Willow Wardrobe



Up to 60 minutes
assembly time



Two person
assembly

This product is intended for domestic use only, not for commercial purposes.

IMPORTANT

ASSEMBLY TIP

Before you begin, it's best to identify all of the parts and fittings to build your Willow Wardrobe frame. We advise laying these out on the floor to check you have everything, and to familiarise yourself with all of the parts and fittings before building.

TOP TIP

We recommend that you assemble the Willow Wardrobe in the room you'd like it to be located. This will help prevent any risk of damage to the frame whilst moving it.

SAFETY AND CARE

It's important to ensure children and animals are kept away from the assembly area, as there are small components used in this product which could present a choking hazard. All plastic and wrapping materials should also be kept away from children and animals to prevent any risk of suffocation.

HELP AND SUPPORT

Please contact our customer service team on 0113 519 0311 if you have any questions or issues with your purchase.

RECYCLING

Please ensure that packaging is disposed of in a safe and environmentally friendly way, and recycle where possible. Please keep your assembly instructions safe to refer back to in the future.

CARE AND MAINTENANCE:

1. Only clean using a damp cloth, do not use bleach or abrasive cleaners as they may damage the finish over time.
2. Do not use a very wet cloth or allow any liquid to contact with the veneer for a long period of time. Wipe any spillage immediately. Absorption can cause wood to warp or finishes to de-laminate.
3. Do not scrub or rub the surface when cleaning.
4. Do not drag the Willow Wardrobe when moving, lift it off the floor instead.
5. Use a placemat or a coaster when putting hot items (e.g. hot drinks and dishes) on the wood surface.
6. It is not recommended to place the item next to sources of heat such as radiators, fires or directly exposed to sunlight. This may cause the wood to crack, split or fade due to the heat and humidity.
7. Wood will mellow and change colour over time, we recommend that ornaments and items placed on the surface to be moved regularly to prevent uneven mellowing.
8. Regularly check all fixings to ensure none have come loose. Re-tighten if necessary.
9. Avoid sharp items such as a screwdriver or any pointy tools.
10. Dispose of all packaging carefully and responsibly - recycle where possible.

Parts list

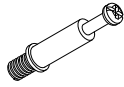








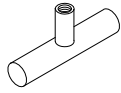


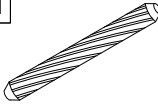






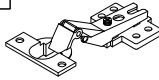



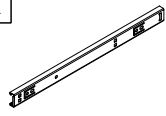
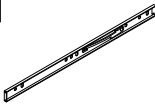
Before you begin building your Willow Wardrobe, please take a moment to read through the instructions and make sure that you have all the relevant parts listed on the parts check list.

Part Number	Part Description	Quantity
①	Left Side Panel	1pc
②	Middle Panel	1pc
③	Right Side Panel	1pc
④	Top	1pc
⑤	Back Panel	3pcs
⑥	Back slats	2pcs
⑦	Centre Support	2pcs
⑧	Centre Support	2pcs
⑨	Clothes Poles	1pc
⑩	Clothes Poles	1pc
⑪	Centre Support	1pc
⑫	Centre Support	1pc
⑬	Shelf Panel	1pc
⑭	Middle Panel	1pc
⑮	Bottom Panel	1pc

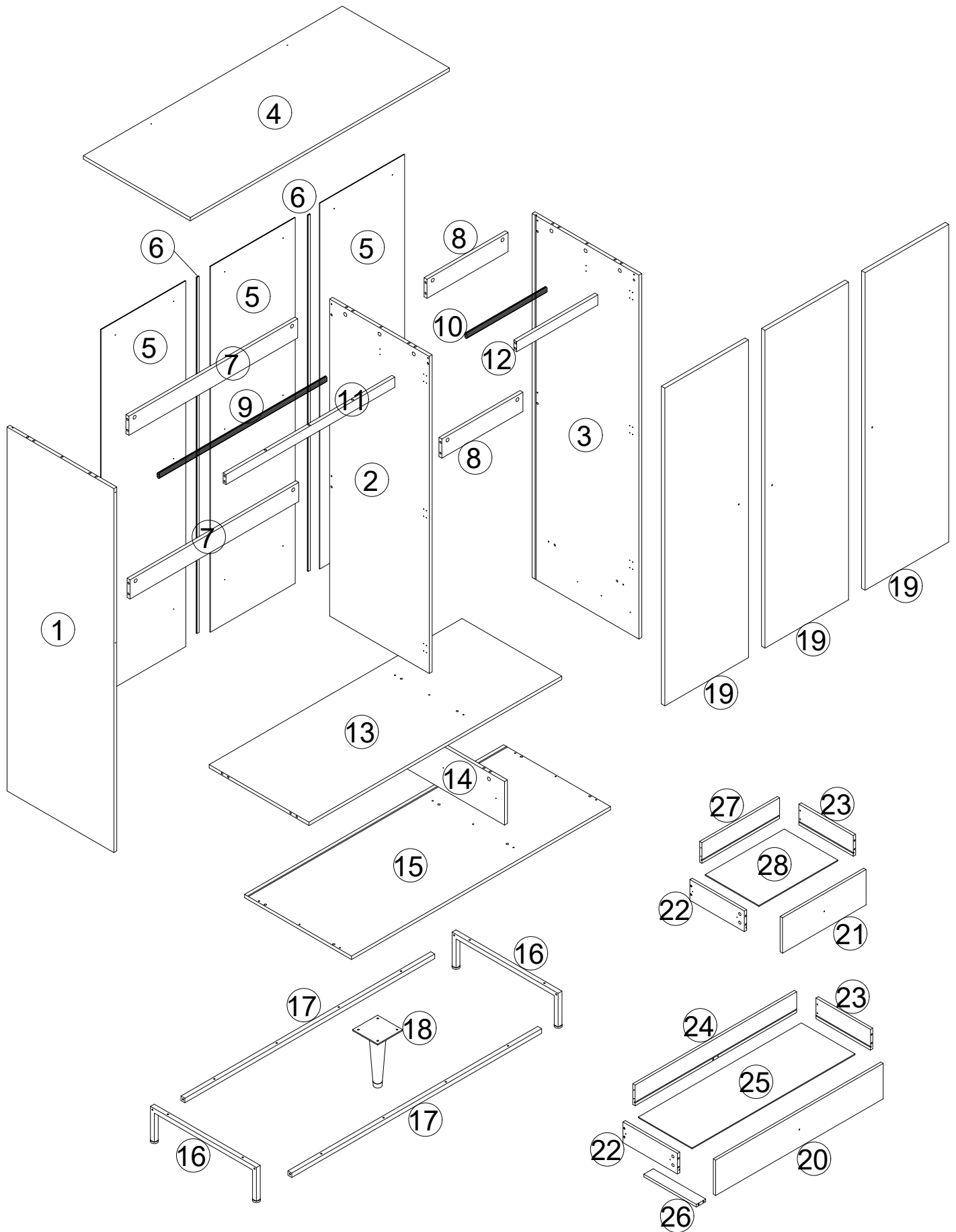
Part Number	Part Description	Quantity
⑯	Leg	2pcs
⑰	Leg Side Support	2pcs
⑱	Centre Leg	1pc
⑲	Door Panel	3pcs
⑳	Drawer Left Front	1pc
㉑	Drawer Right Front	1pc
㉒	Drawer Left Side	2pcs
㉓	Drawer Right Side	2pcs
㉔	Drawer Back Side	1pc
㉕	Drawer Bottom	1pc
㉖	Drawer Floor	1pc
㉗	Drawer Back Side	1pc
㉘	Drawer Bottom	1pc

Fittings

Please check you have all the fittings listed below with your product.

<p>A</p>  <p>M6*35mm Bolt 38pcs+2pcs extra</p>	<p>B</p>  <p>Ø15x9.5mm Cam Lock 38pcs+2pcs extra</p>	<p>C</p>  <p>Ø8x30mm Dowel 26pcs+2pcs extra</p>	<p>D</p>  <p>M3.5*12mm Screw 28pcs+2pcs extra</p>	<p>E</p>  <p>M3*14mm Screw 14pcs+1pc extra</p>
<p>F</p>  <p>M4*35mm Screw 10pcs+1pc extra</p>	<p>G</p>  <p>M5*40mm Screw 12pcs+1pc extra</p>	<p>H</p>  <p>M4*20mm Screw 5pcs</p>	<p>I</p>  <p>15x9mm Plastic Buckle 14pcs+1pc extra</p>	<p>J</p>  <p>Handle 5pcs</p>
<p>K</p>  <p>M4*14mm Screw 6pcs</p>	<p>L</p>  <p>Wall Bracket 2pcs</p>	<p>M</p>  <p>Ø8x50mm Dowel 5pcs</p>	<p>N</p>  <p>Ø6x30mm Wall Plug 2pcs</p>	<p>O</p>  <p>Cover 25pcs</p>
<p>P</p>  <p>4mm Allen Key 1pc</p>	<p>Q</p>  <p>Clothes Tray 4pcs</p>	<p>R</p>  <p>M3*14mm Screw 18pcs+1pcs extra</p>	<p>S</p>  <p>M4*14mm Screw 54pcs+2pcs extra</p>	<p>T</p>  <p>Hinge 9pcs</p>
<p>U</p>  <p>M6*30mm Screw 12pcs+1pcs extra</p>	<p>V</p>  <p>M6*35mm Screw 4pcs</p>	<p>W</p>  <p>3mm Allen Key 1pc</p>	<p>X</p>  <p>Orbit 4pcs</p>	<p>Y</p>  <p>Orbit 4pcs</p>

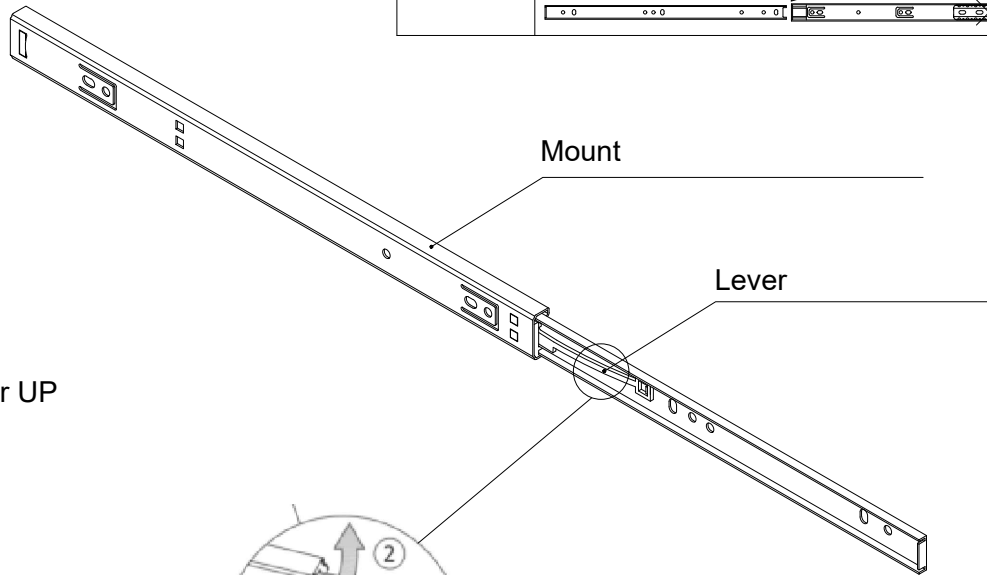
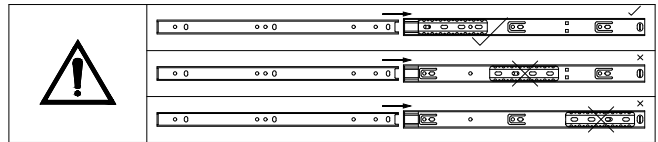
Parts list



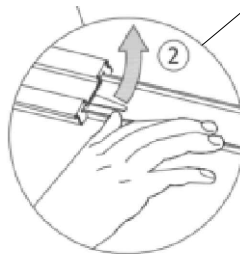
**Slides Must Be Separated Before Assembly.
After Separated, Set Aside Until Needed for Assembly.**

**Pay attention when connecting !
The sliding module must be at the front end.**

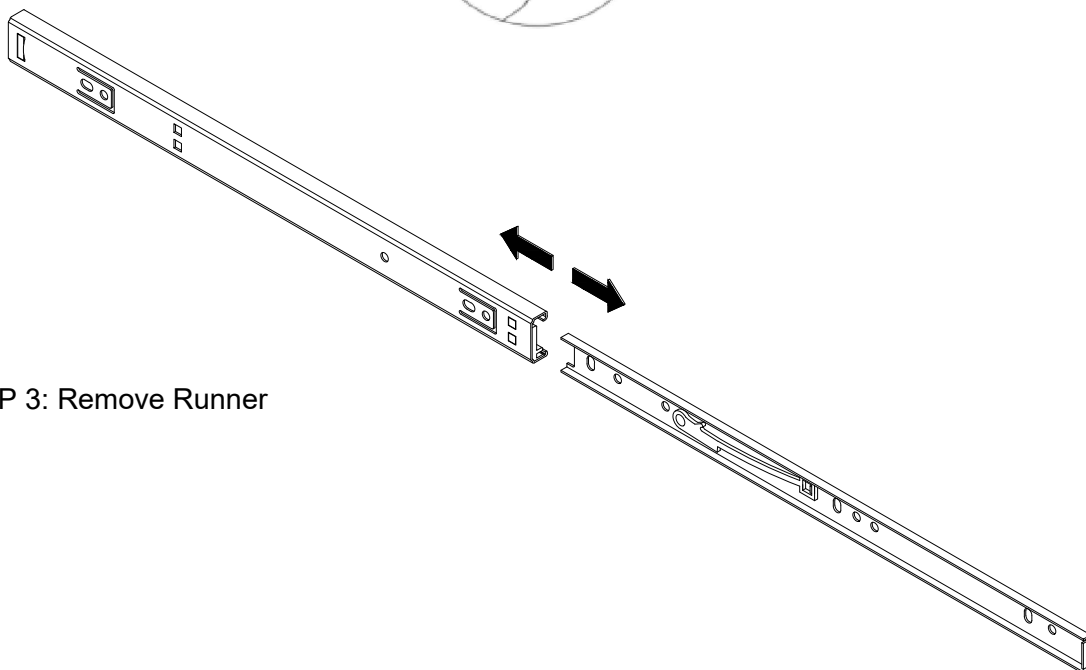
STEP 1 : Extend Slide



STEP 2: Push Lever UP

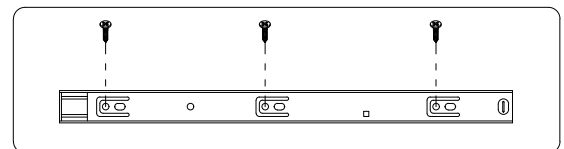
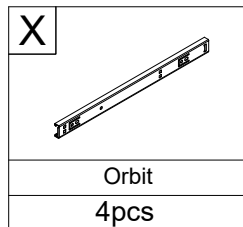
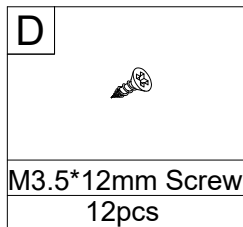
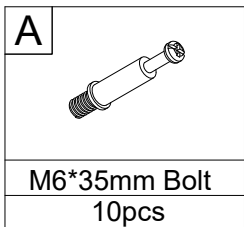
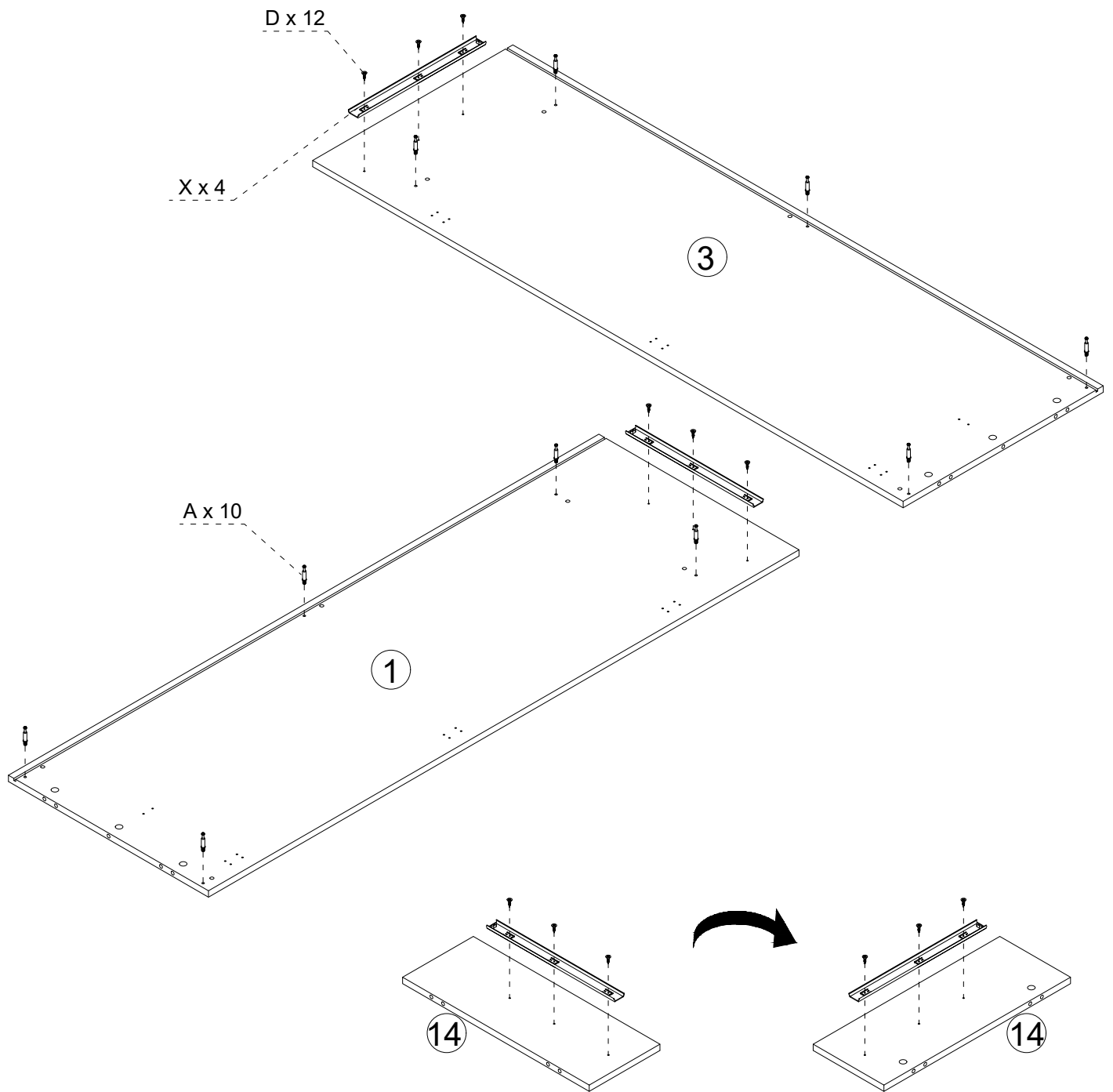


**Push lever for the left of drawer ,
press the lever for the right of drawer.**

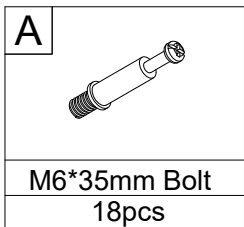
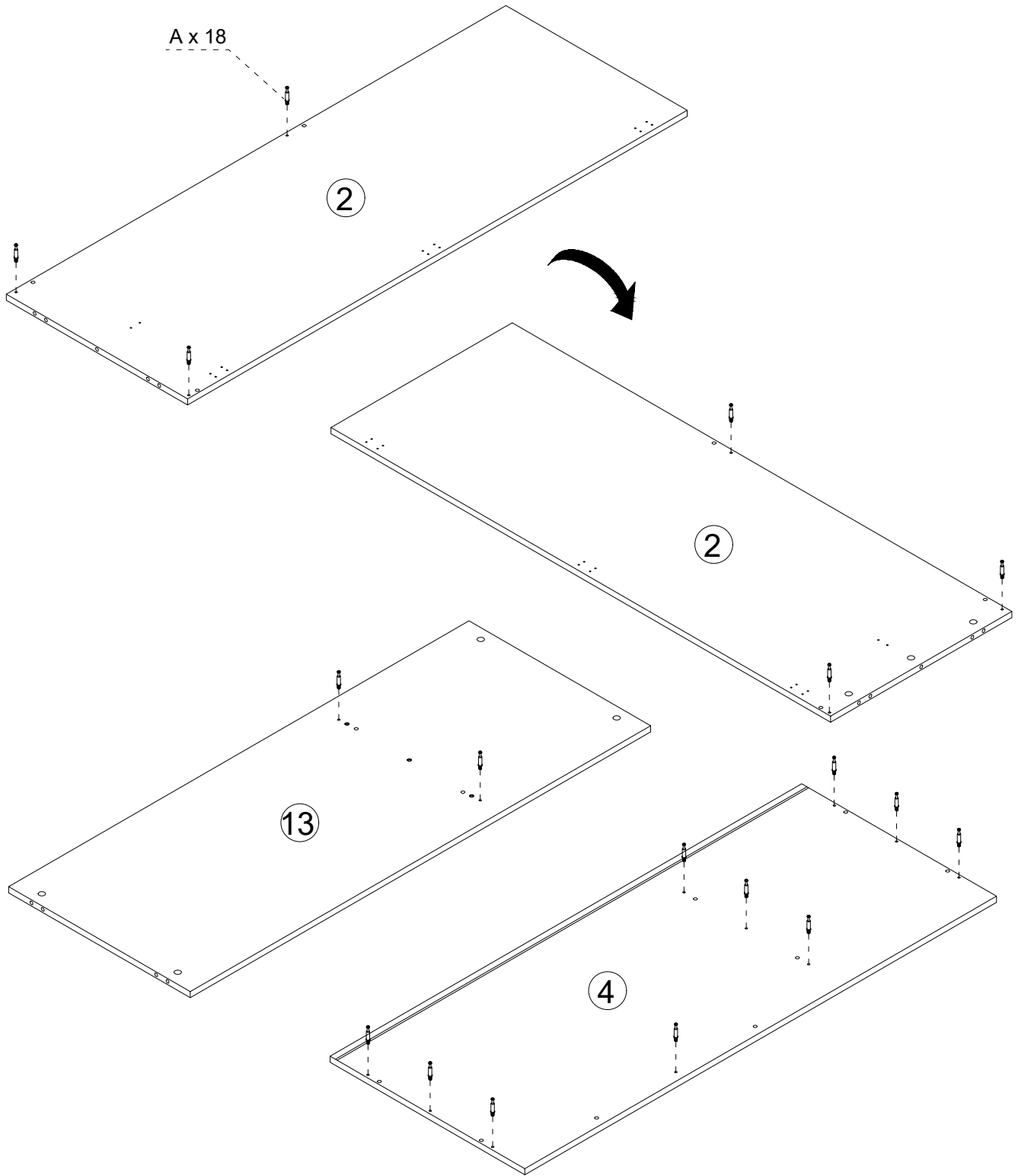


STEP 3: Remove Runner

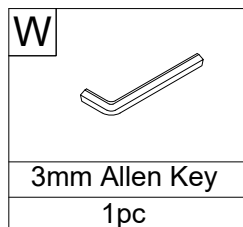
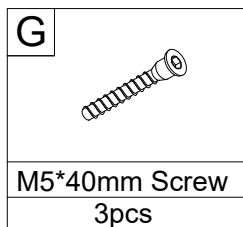
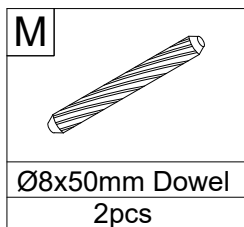
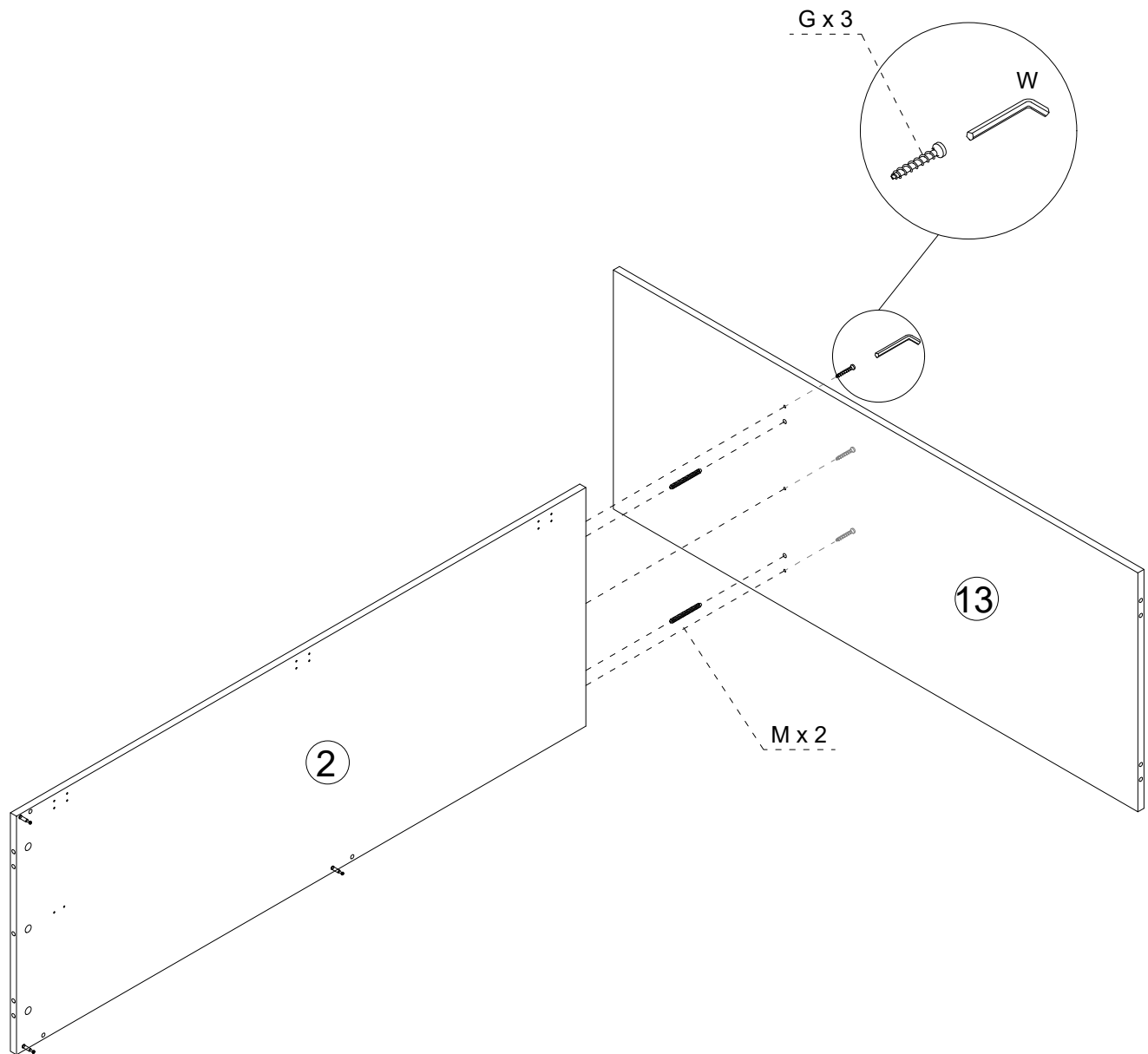
1. Attach parts to the boards.



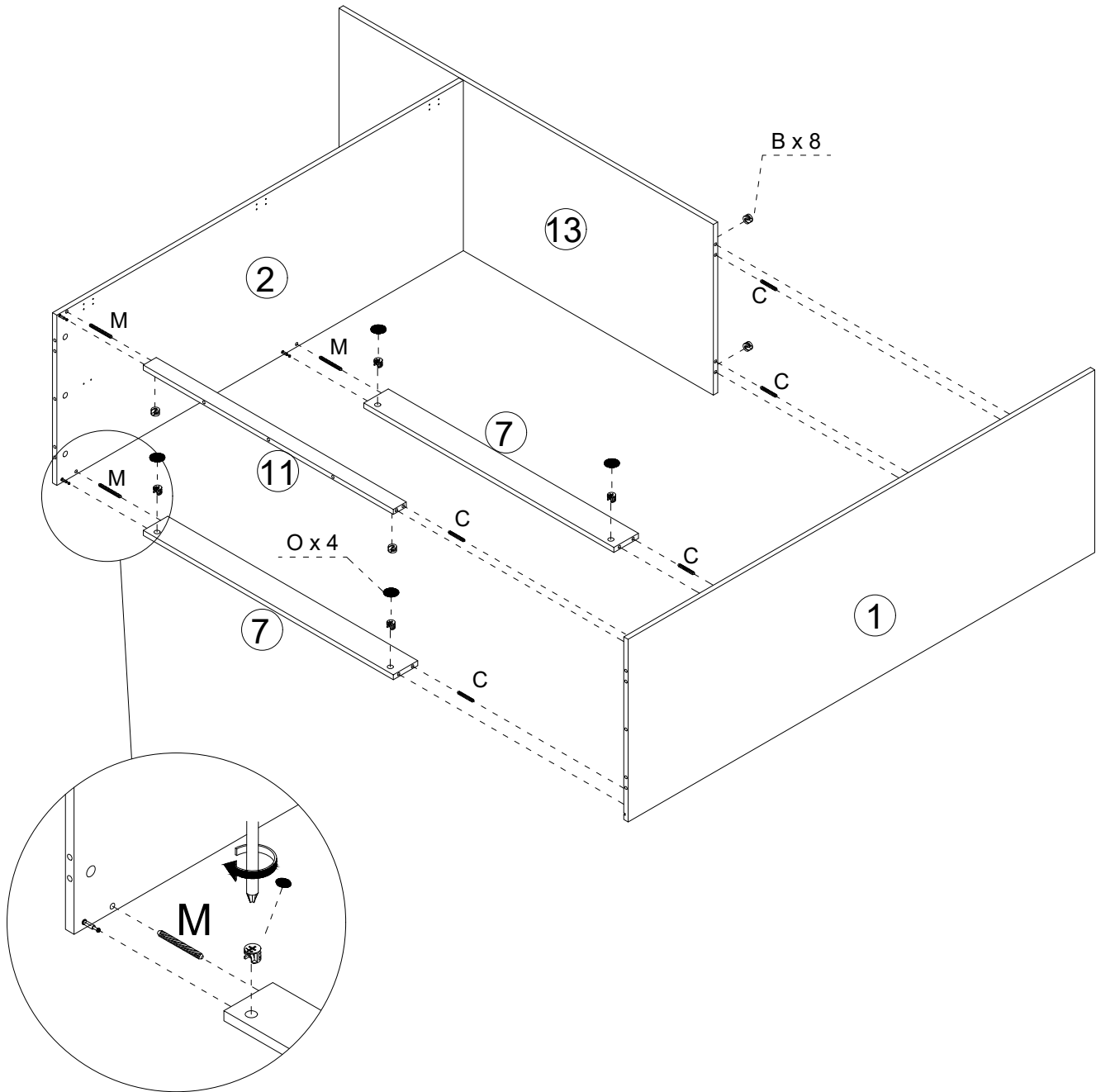
2. Attach parts to the boards.

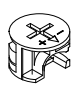


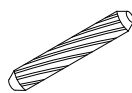
3. Attach parts to the boards.

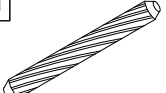



4. Attach parts to the boards.



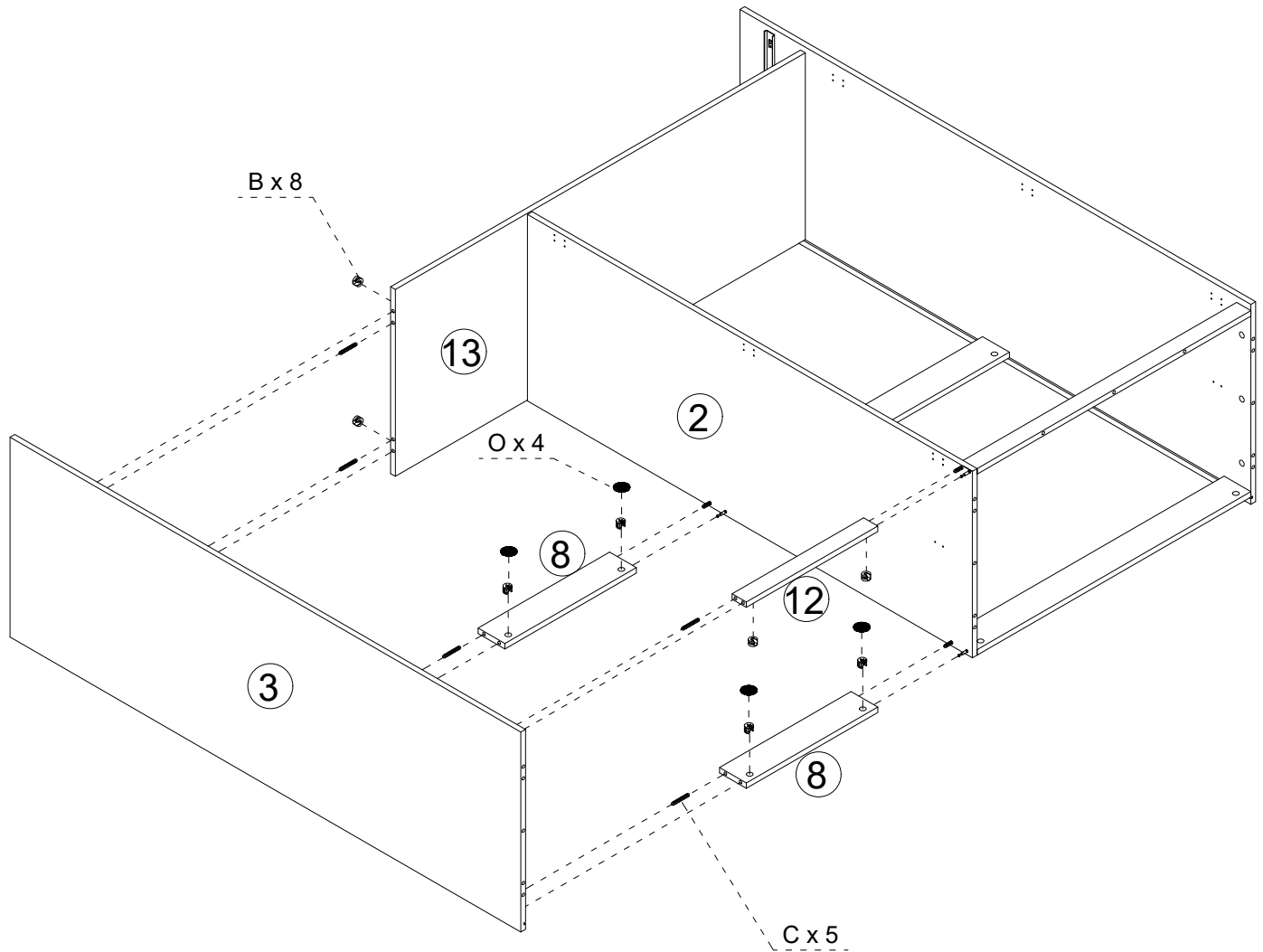
B	
Ø15x9.5mm Cam Lock	
8pcs	

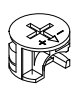
C	
Ø8x30mm Dowel	
5pcs	

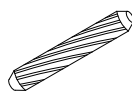
M	
Ø8x50mm Dowel	
3pcs	


O	
Cover	
4pcs	

5. Attach parts to the boards.

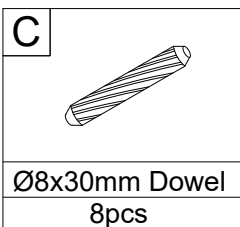
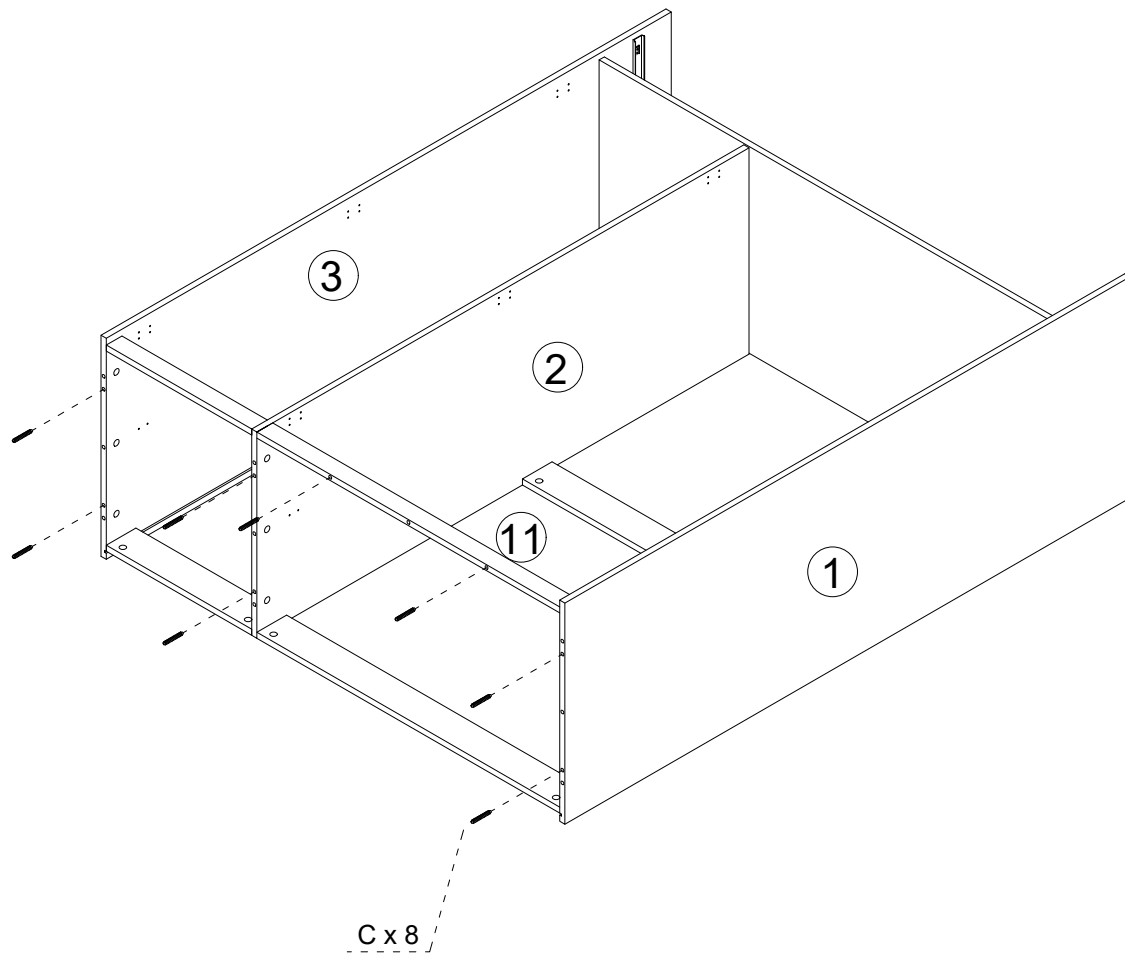


B	
Ø15x9.5mm Cam Lock	
8pcs	

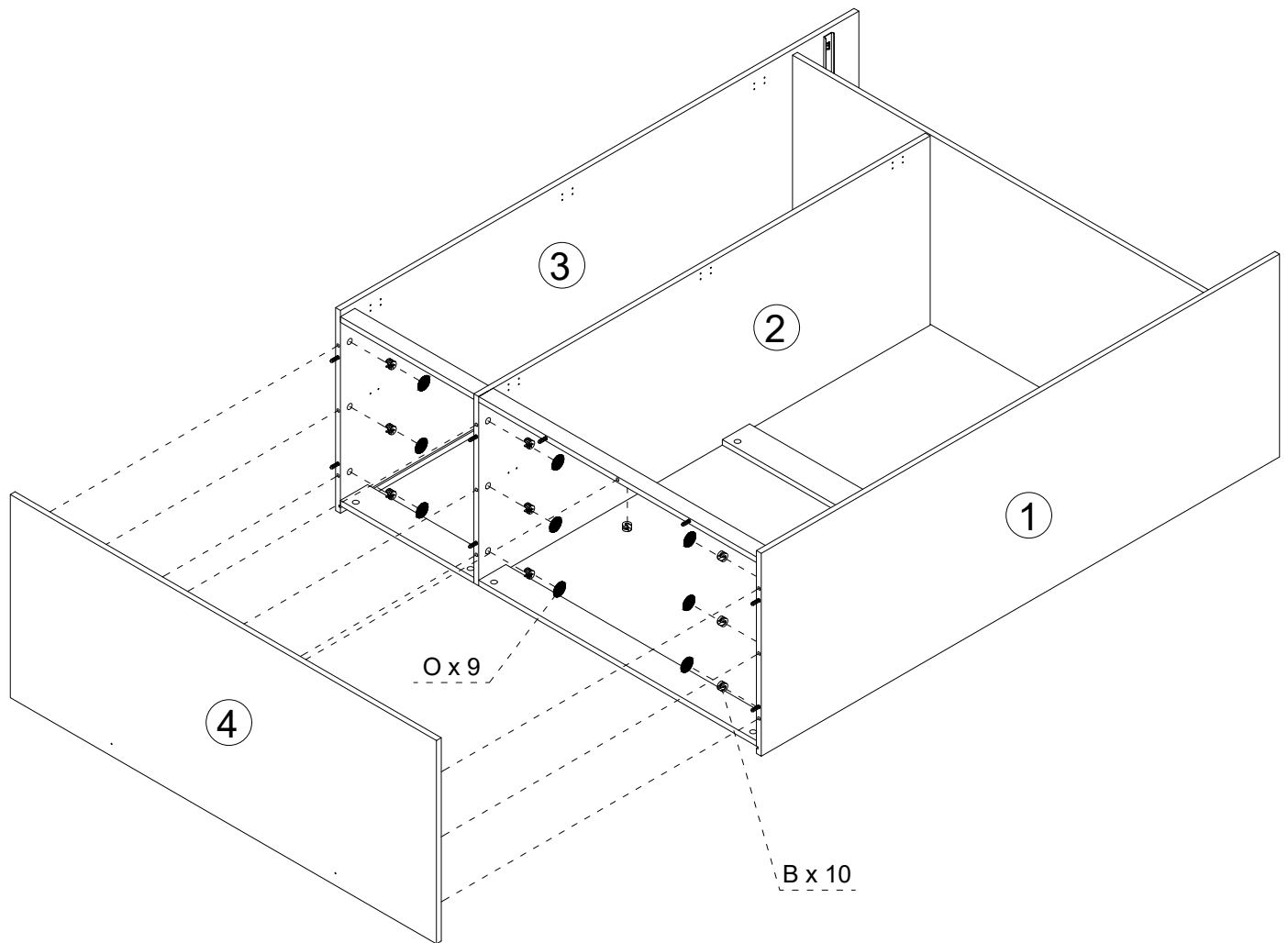
C	
Ø8x30mm Dowel	
5pcs	


O	
Cover	
4pcs	


6. Attach parts to the boards.



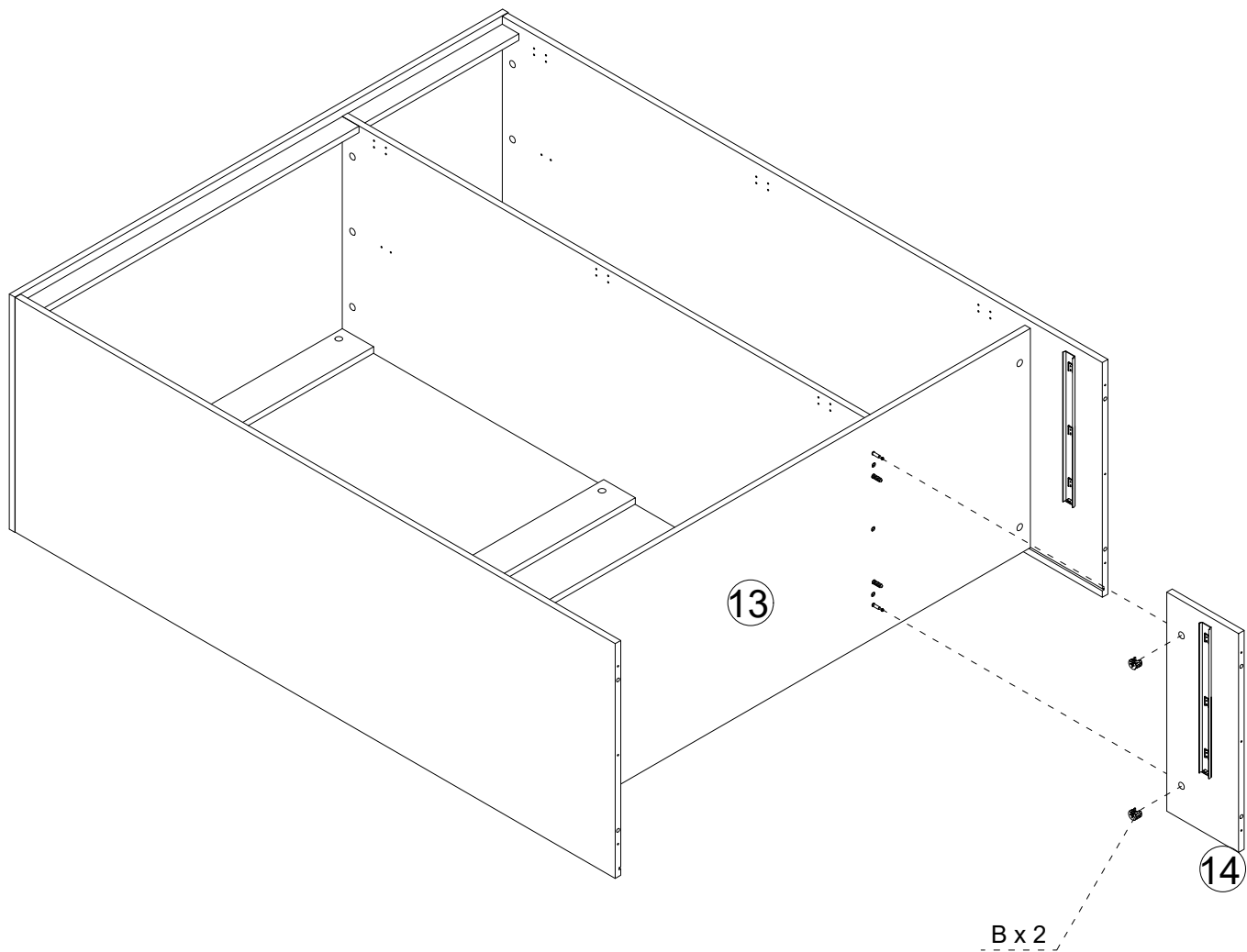
7. Assemble the top to the frame.




B	
Ø15x9.5mm Cam Lock	
10pcs	

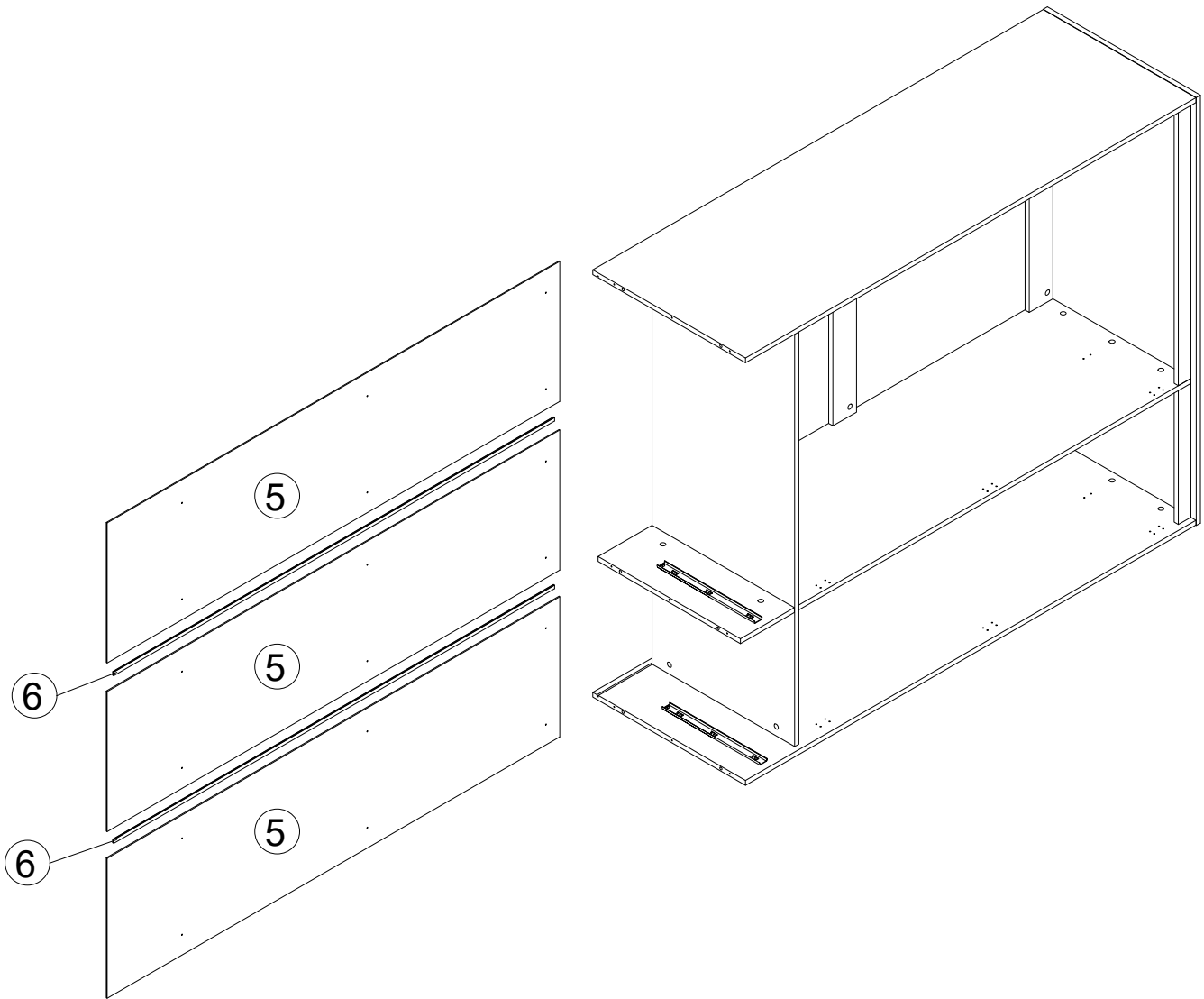
O	
Cover	
9pcs	

8. Attach parts to the boards.

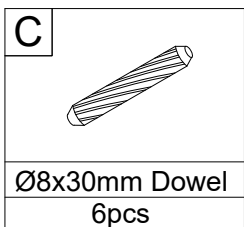
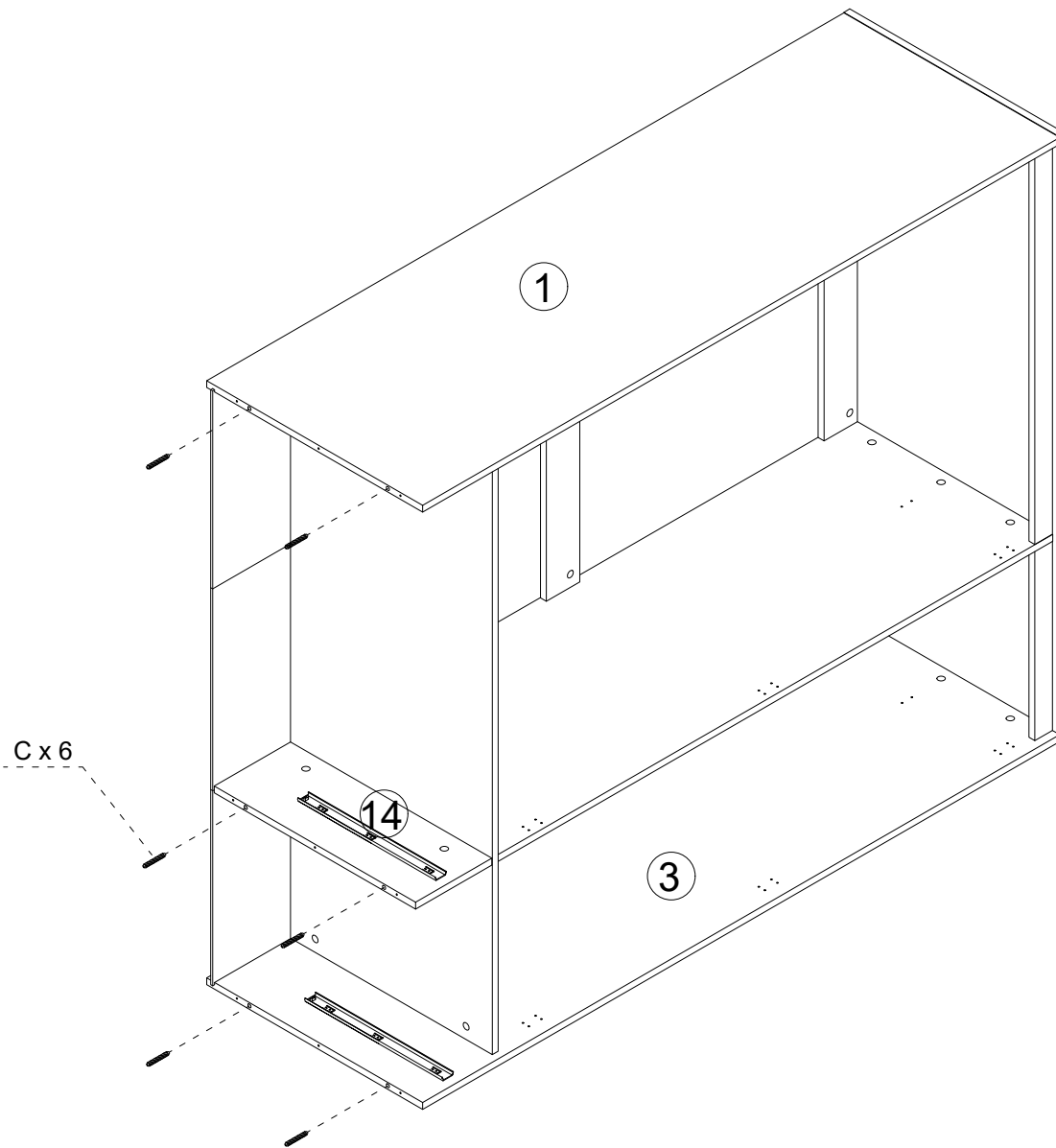


B	
Ø15x9.5mm Cam Lock	
2pcs	

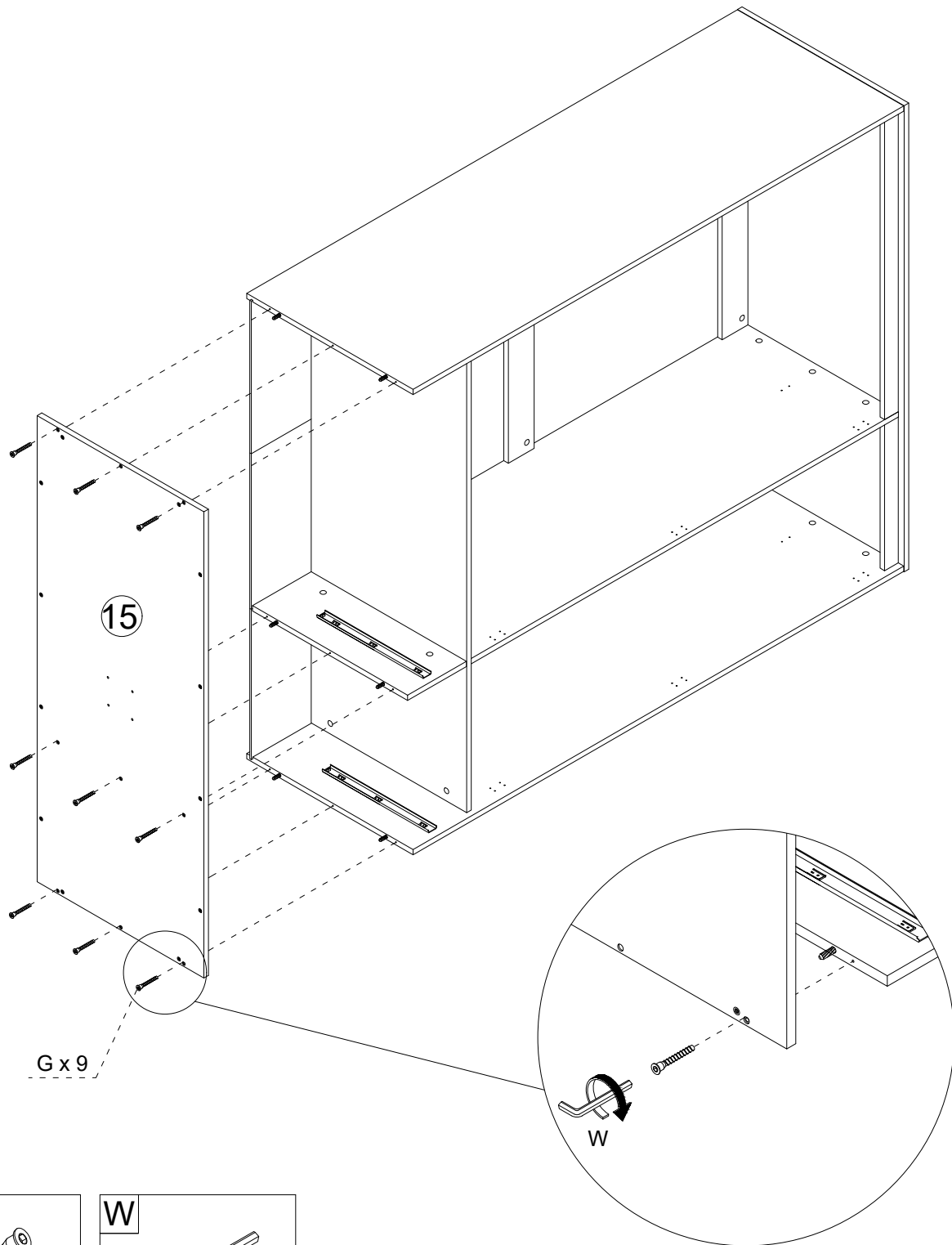
9. Assemble boards to the frame.



10. Attach parts to the boards.




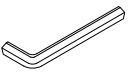
11. Assemble boards to the frame.



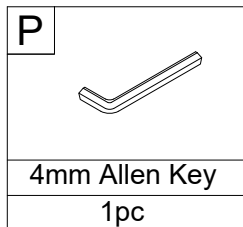
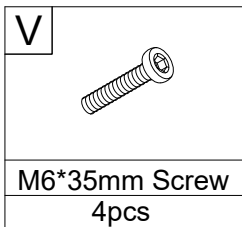
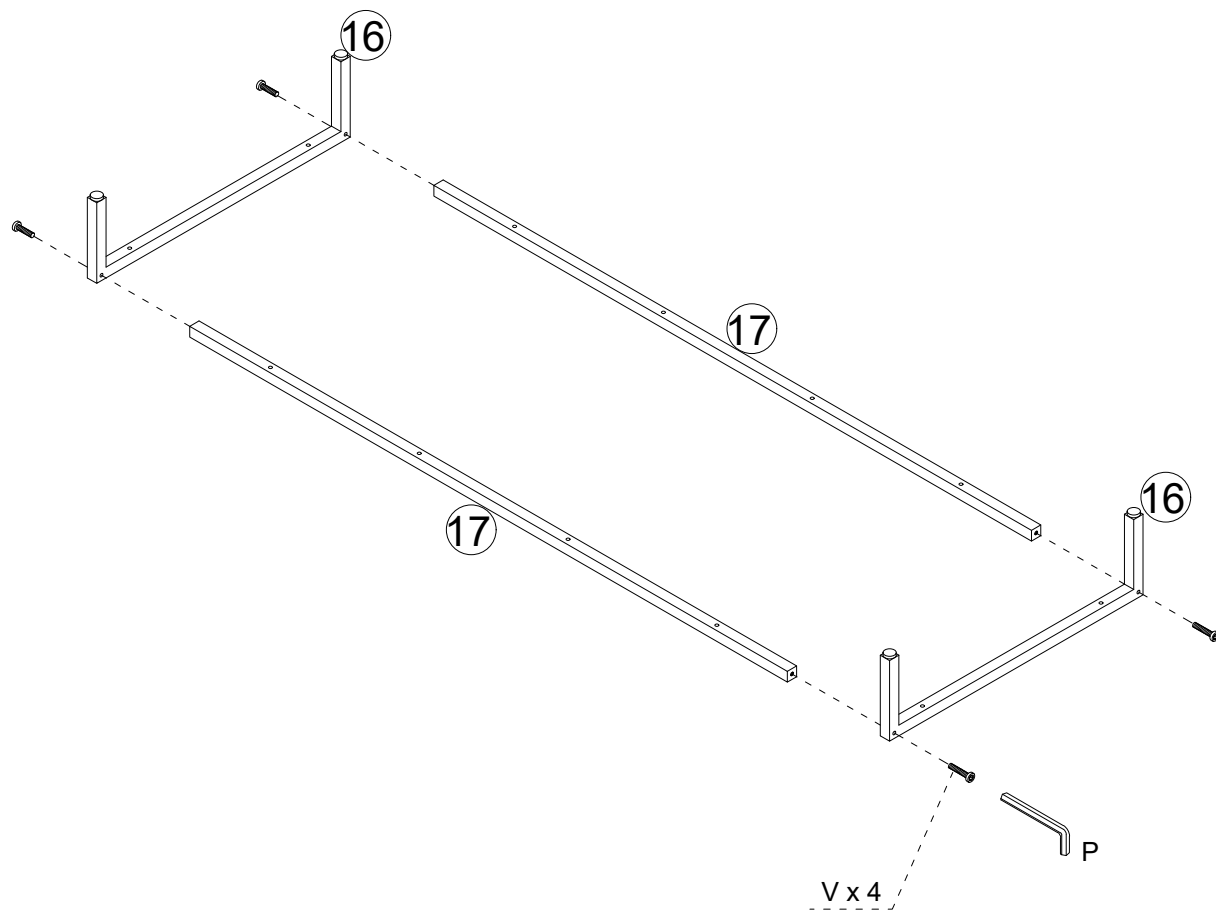
G x 9

W

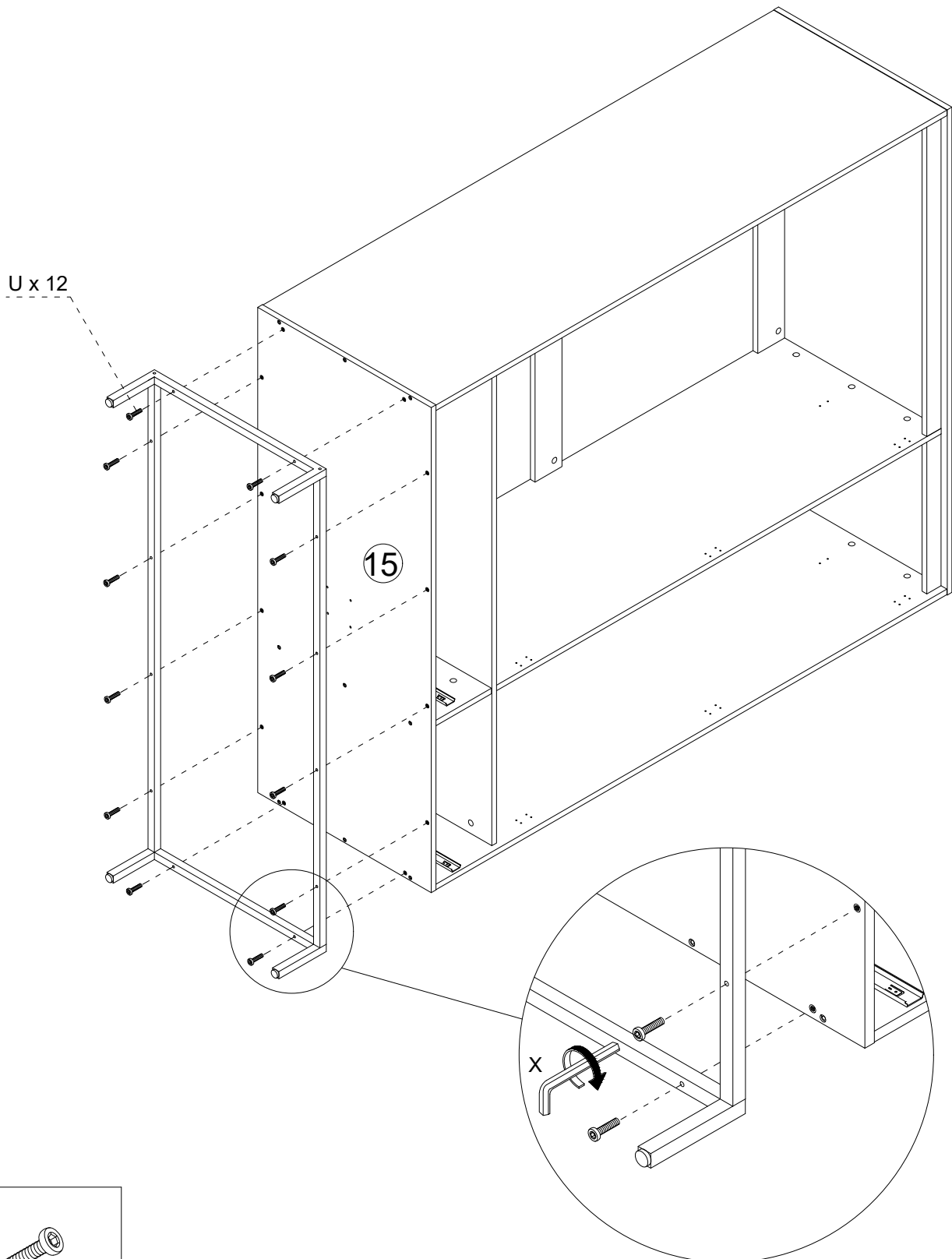
G

M5*40mm Screw 9pcs


W

3mm Allen Key 1pc

12. Assemble the leg.

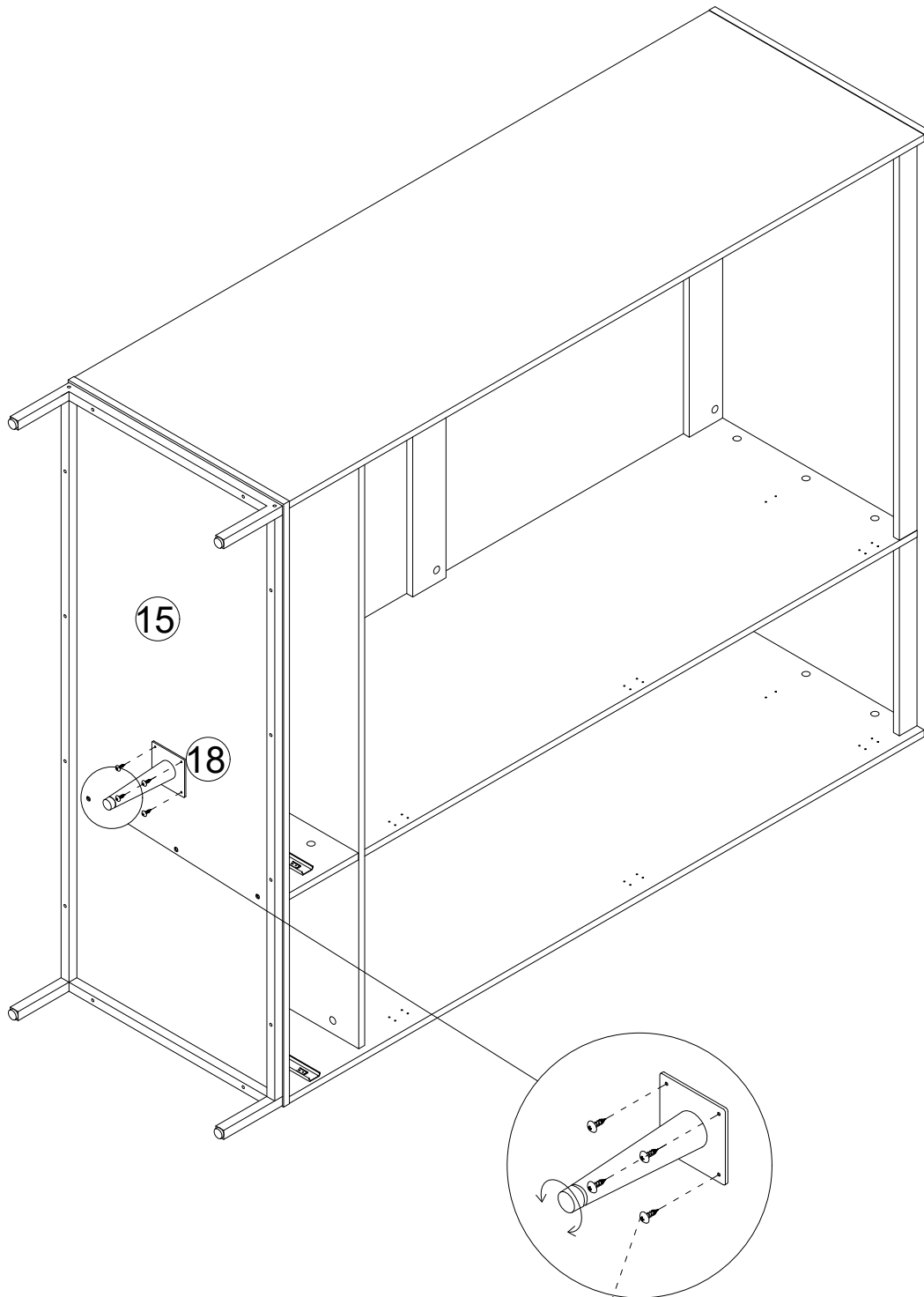



13. Assemble leg to the frame.



U	
M6*30mm Screw	
12pcs	

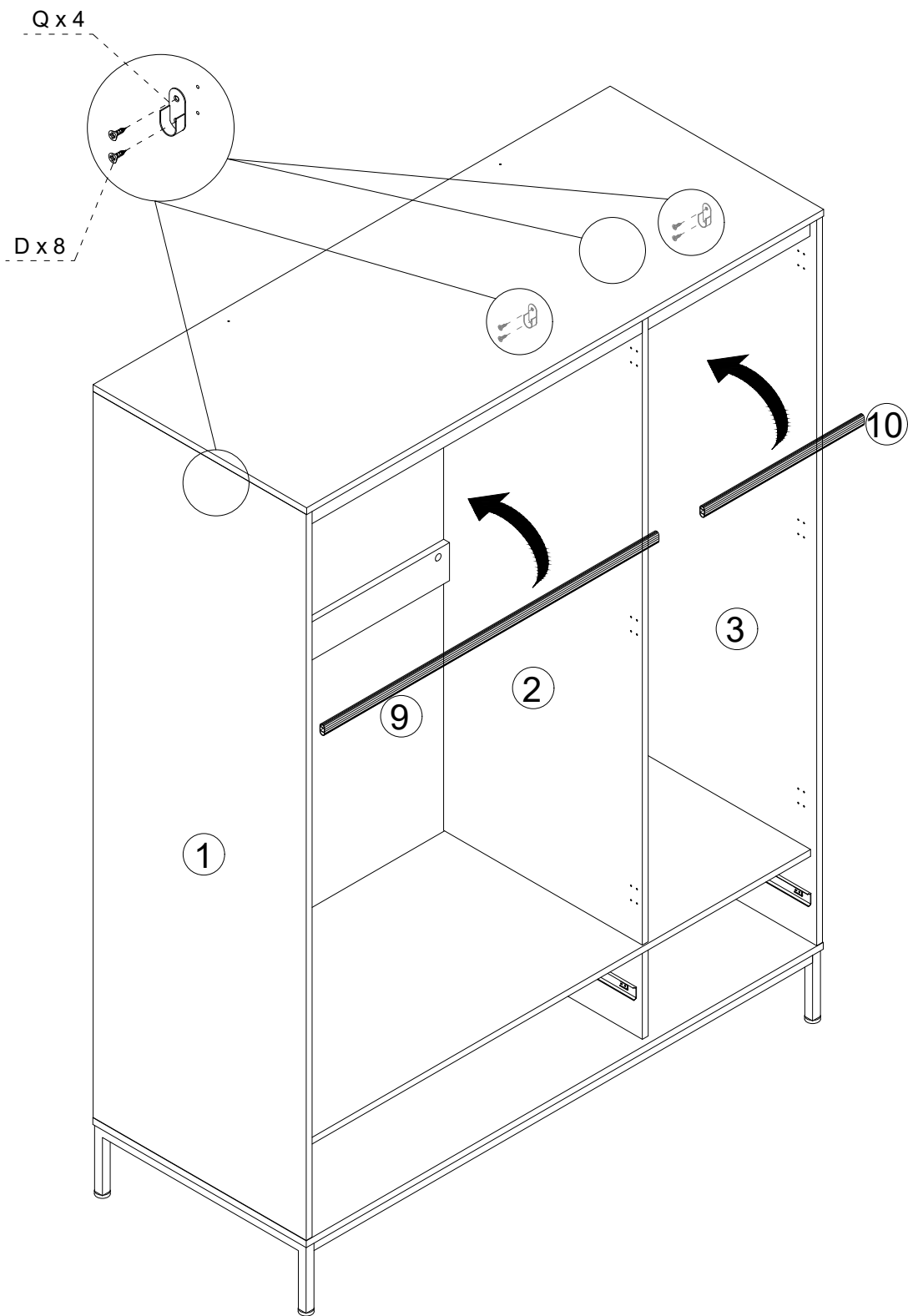
14. Adjust the middle support leg.





K	
M4*14mm Screw	
4pcs	

K x 4

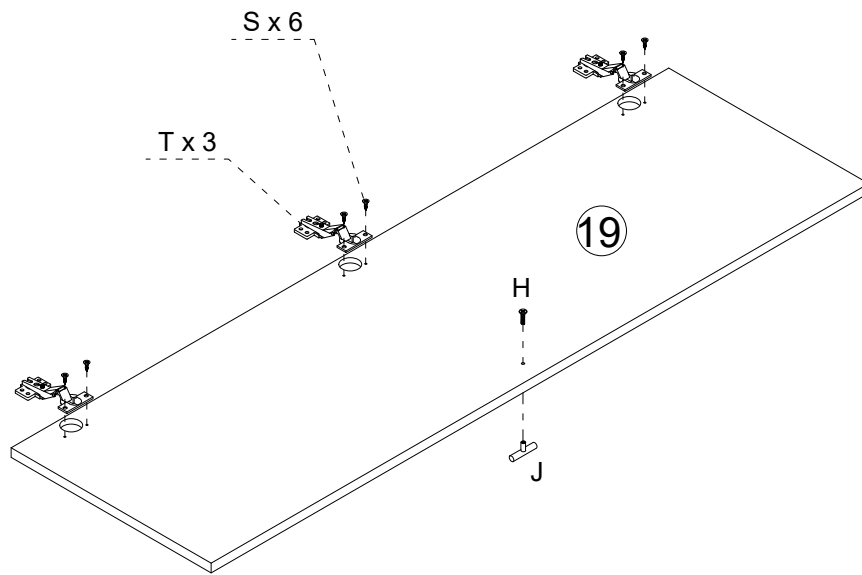
15. Assemble parts to the frame.




D	
M3.5*12mm Screw 8pcs	

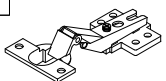
Q	
Clothes Tray 4pcs	


16. Attach parts to the boards.

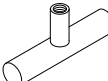


x 3

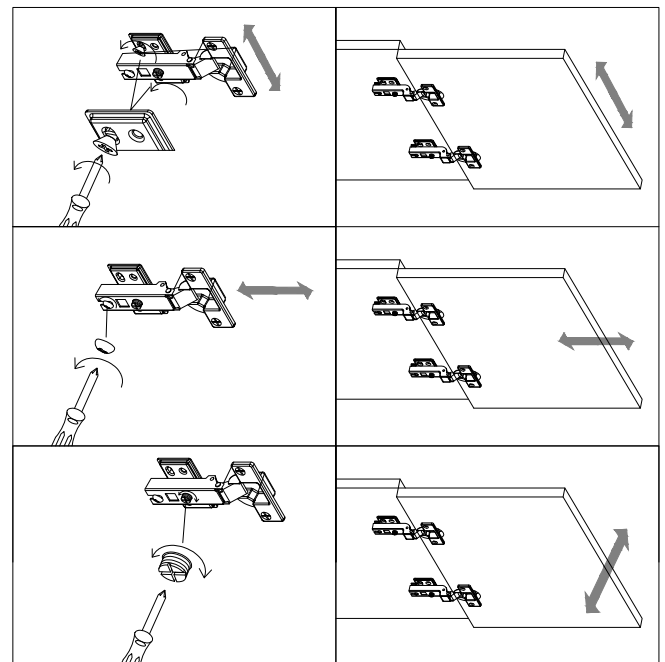
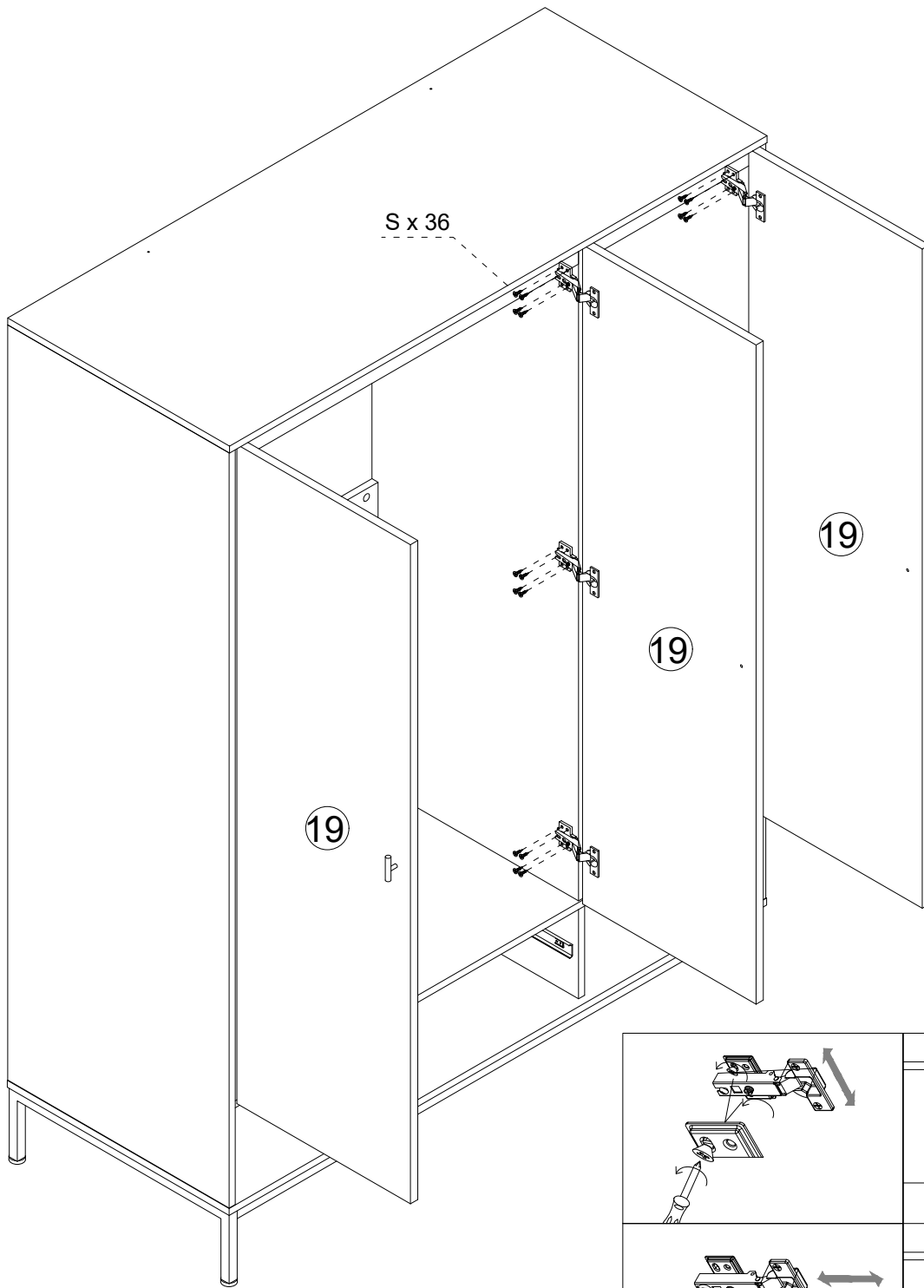
S	
M4*14mm Screw	
18pcs	


T	
Hinge	
9pcs	

H	
M4*20mm Screw	
3pcs	

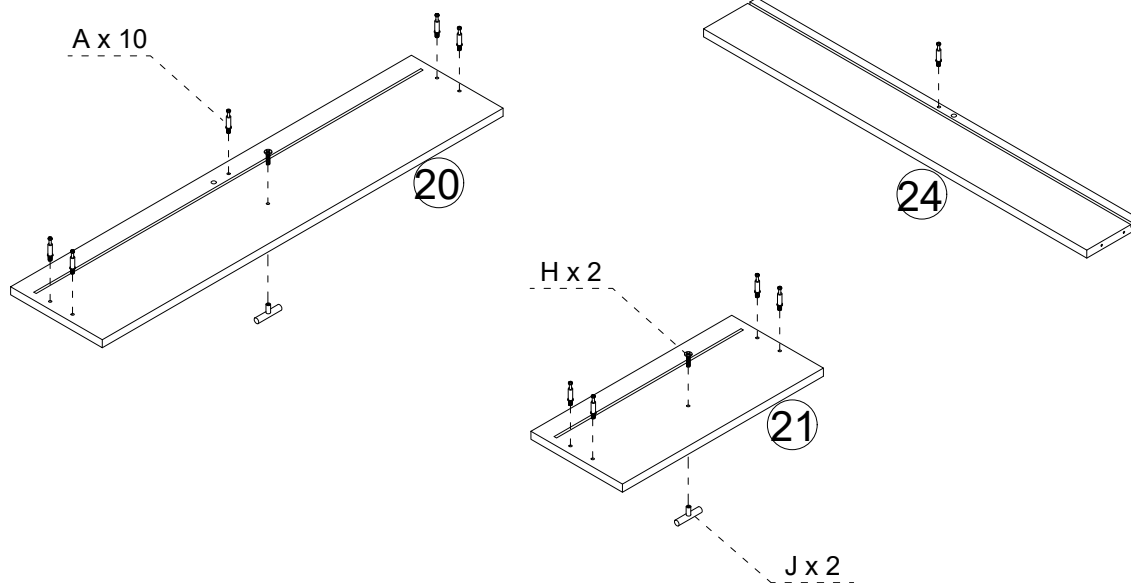
J	
Handle	
3pcs	

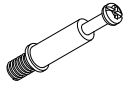

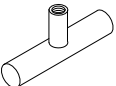
17. Assemble doors to the frame.



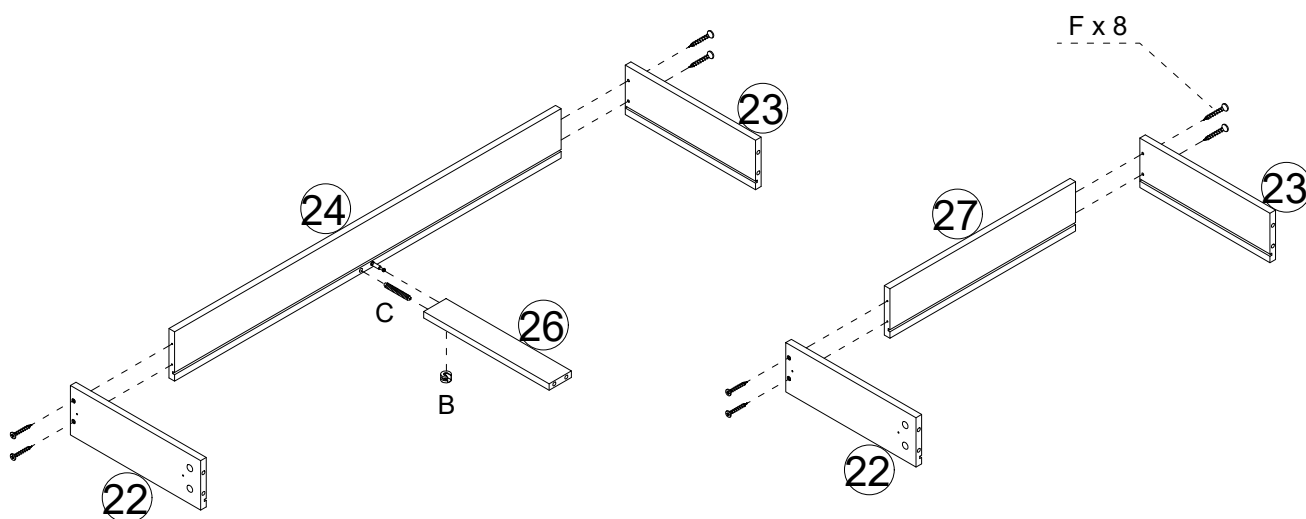
S	
M4*14mm Screw	
36pcs	


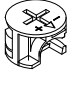

18. Attach parts to the boards.



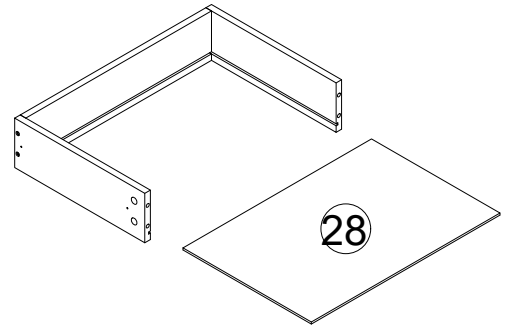
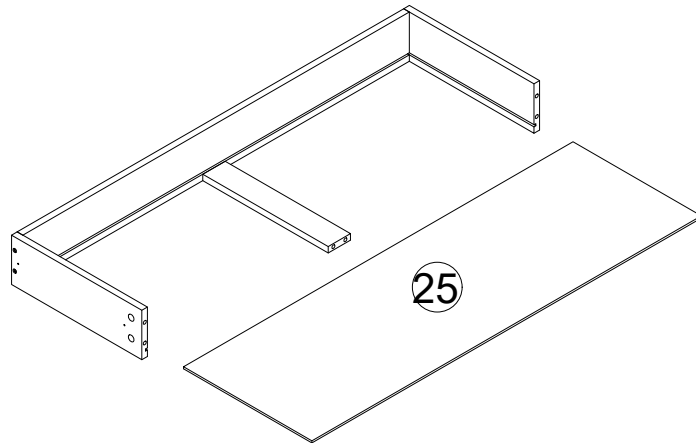
A 	H 	J 
M6*35mm Bolt 10pcs	M4*20mm Screw 2pcs	Handle 2pcs

19. Attach parts to the boards.

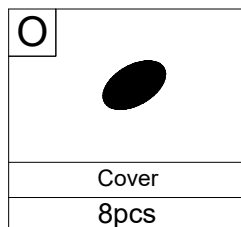
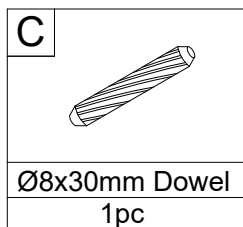
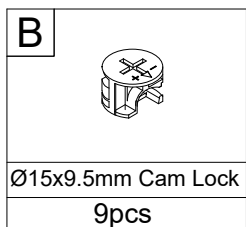
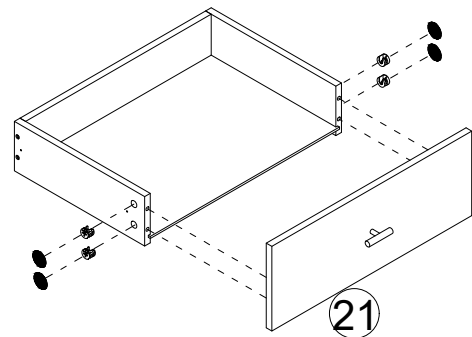
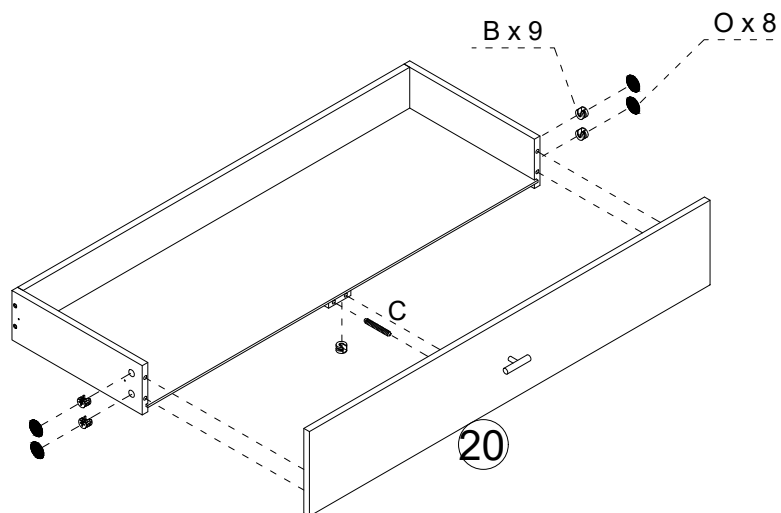


F 	B 	C 
M4*35mm Screw 8pcs	Ø15x9.5mm Cam Lock 1pc	Ø8x30mm Dowel 1pc

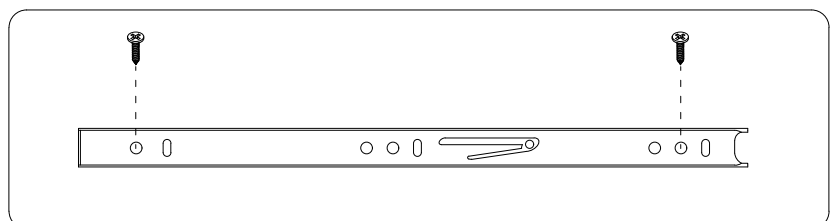
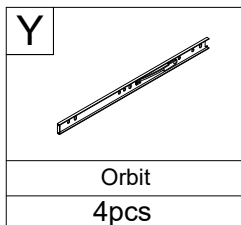
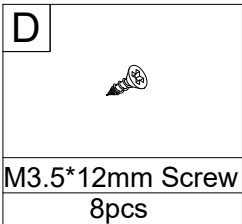
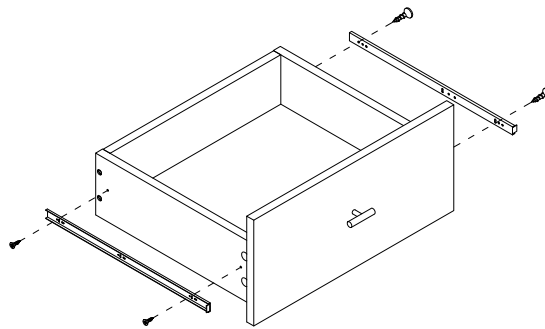
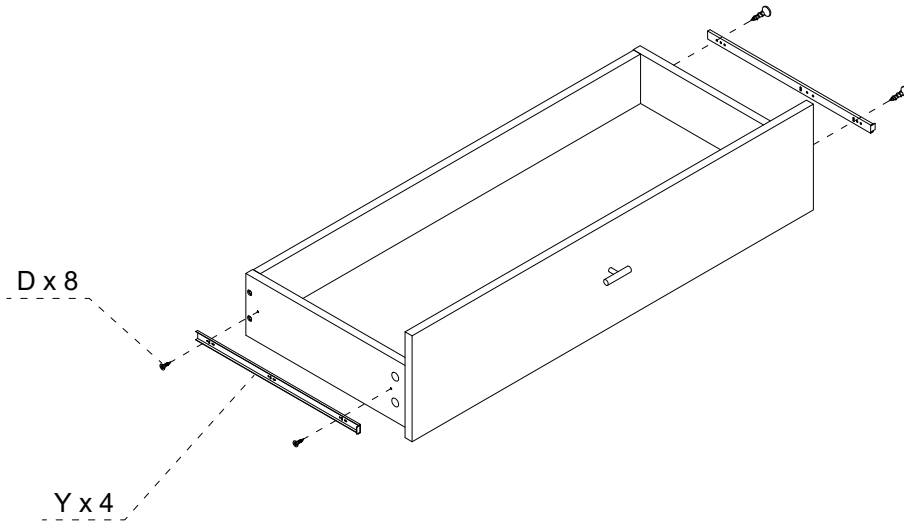
20. Assemble the drawers.



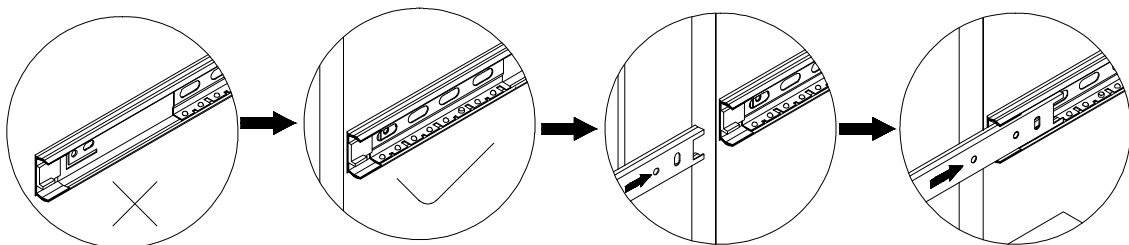
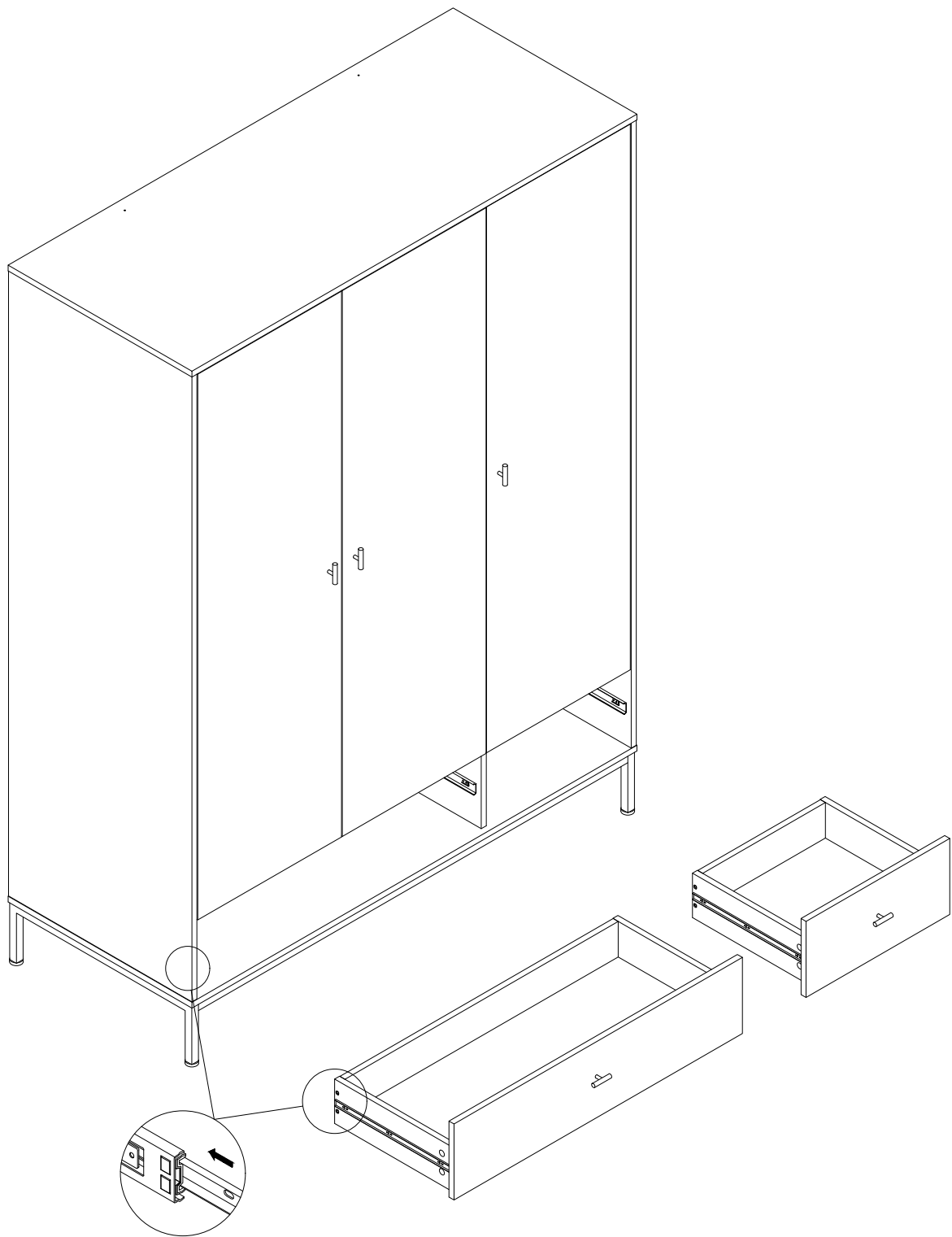
21. Assemble the drawers



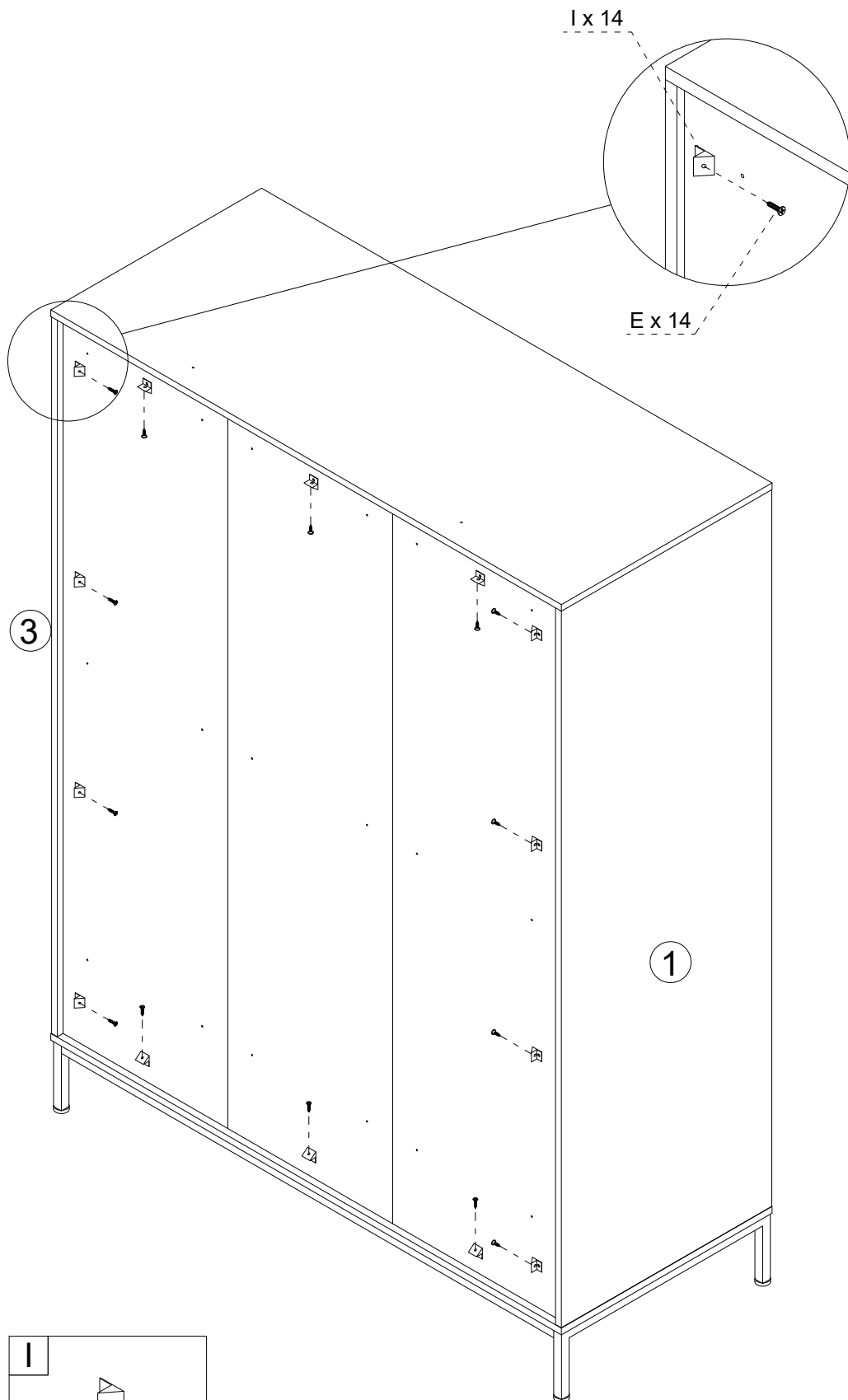
22. Attach parts to the boards.





23. Assemble drawers to the frame.



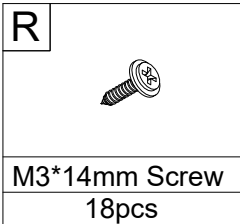
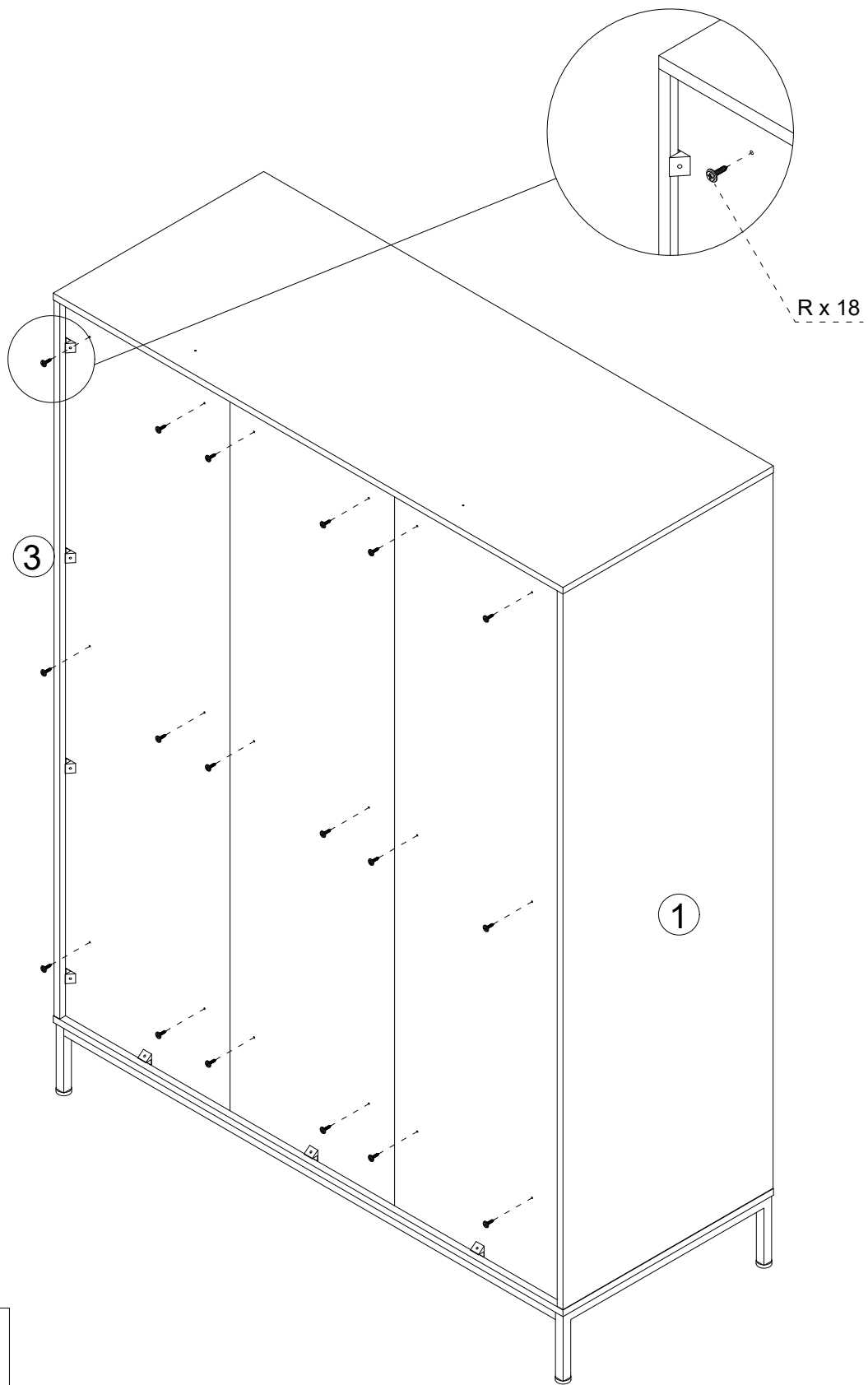
24. Attach the plastic buckle to the frame.



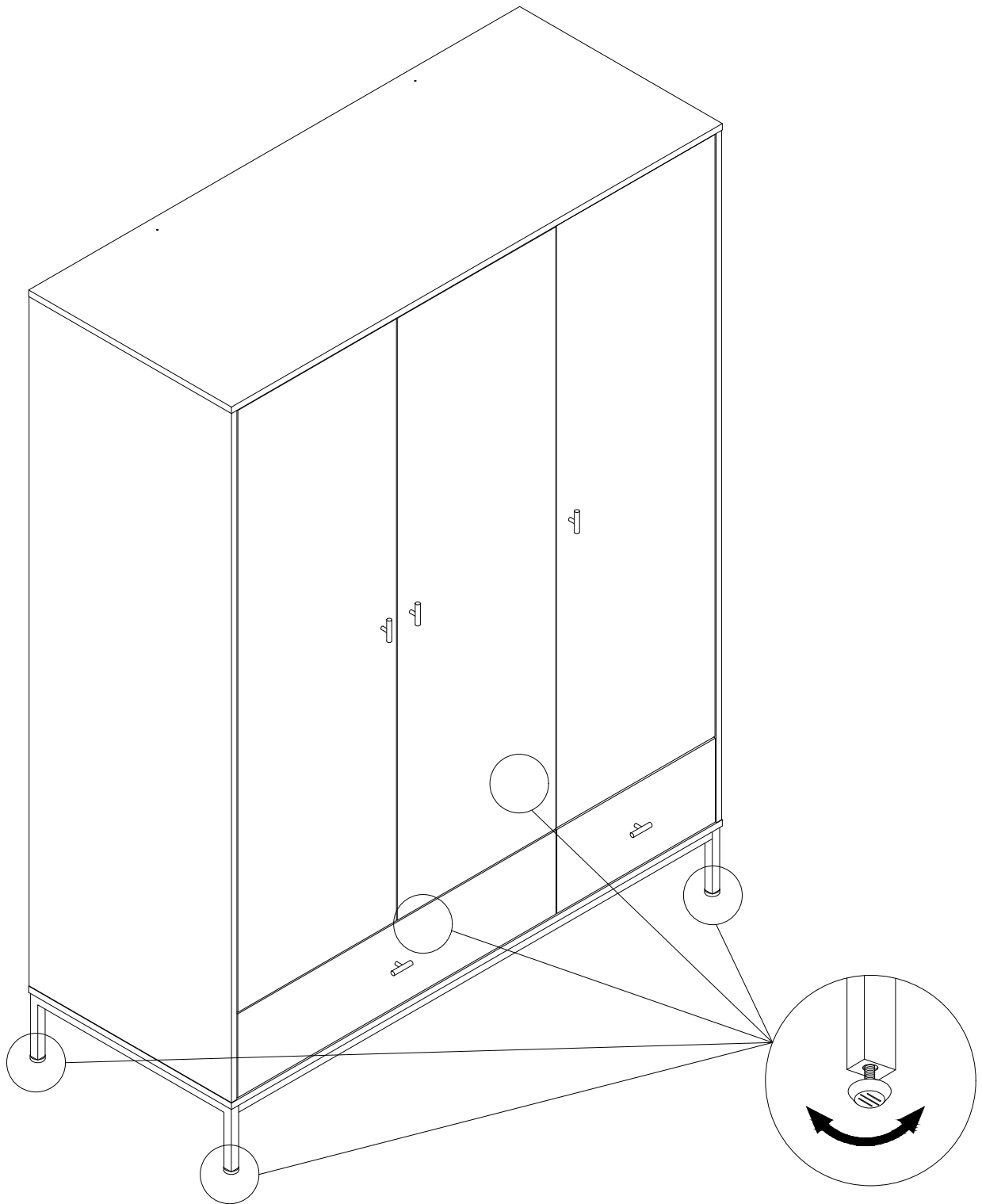
E	
M3*14mm Screw	
14pcs	

I	
15x9mm Plastic Buckle	
14pcs	

25. Attach parts to the frame.



26. Adjust the legs.



27. Fix the L-shape Bracket to the wall.

