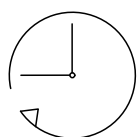
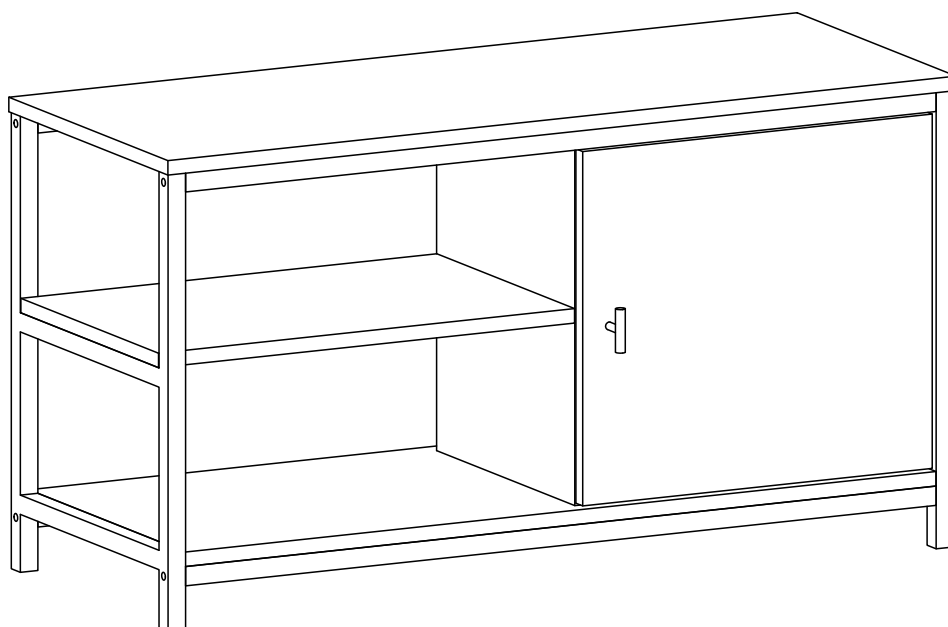
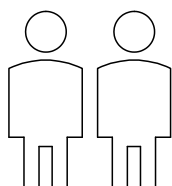


Willow Shoe Storage Bench



Up to 30 minutes
assembly time



Two person
assembly

This product is intended for domestic use only, not for commercial purposes.

IMPORTANT

ASSEMBLY TIP

Before you begin, it's best to identify all of the parts and fittings to build your shoe storage bench frame. We advise laying these out on the floor to check you have everything, and to familiarise yourself with all of the parts and fittings before building.

TOP TIP

We recommend that you assemble the shoe storage bench in the room you'd like it to be located. This will help prevent any risk of damage to the frame whilst moving it.

SAFETY AND CARE

It's important to ensure children and animals are kept away from the assembly area, as there are small components used in this product which could present a choking hazard. All plastic and wrapping materials should also be kept away from children and animals to prevent any risk of suffocation.

HELP AND SUPPORT

Please contact our customer service team on 0113 519 0311 if you have any questions or issues with your purchase.

RECYCLING

Please ensure that packaging is disposed of in a safe and environmentally friendly way, and recycle where possible. Please keep your assembly instructions safe to refer back to in the future.

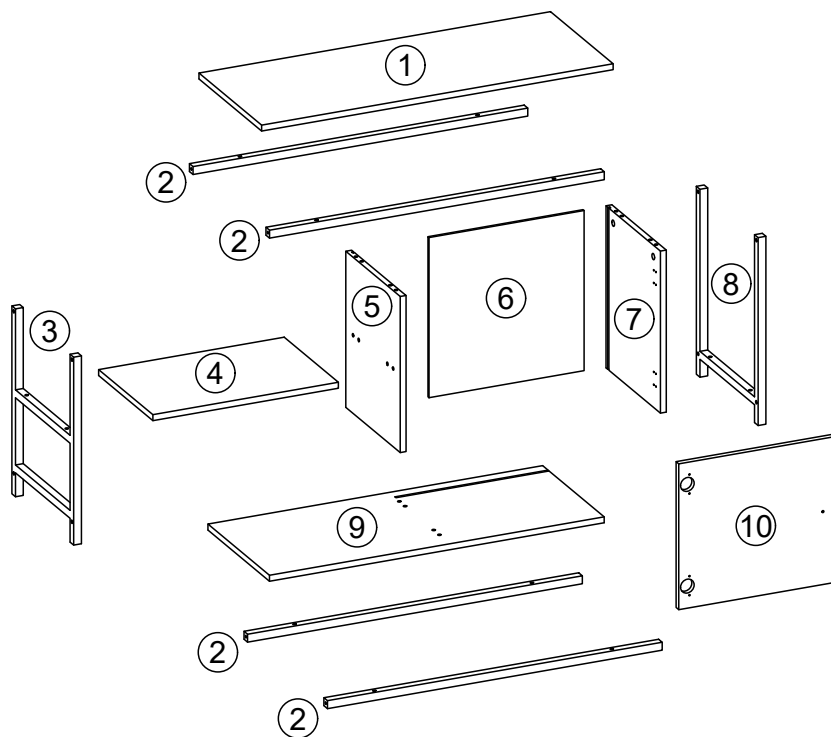
CARE AND MAINTENANCE:

1. Only clean using a damp cloth, do not use bleach or abrasive cleaners as they may damage the finish over time.
2. Do not use a very wet cloth or allow any liquid to contact with the veneer for a long period of time. Wipe any spillage immediately. Absorption can cause wood to warp or finishes to de-laminate.
3. Do not scrub or rub the surface when cleaning.
4. Do not drag the shoe storage bench when moving, lift it off the floor instead.
5. Use a placemat or a coaster when putting hot items (e.g. hot drinks and dishes) on the wood surface.
6. It is not recommended to place the item next to sources of heat such as radiators, fires or directly exposed to sunlight. This may cause the wood to crack, split or fade due to the heat and humidity.
7. Wood will mellow and change colour over time, we recommend that ornaments and items placed on the surface to be moved regularly to prevent uneven mellowing.
8. Regularly check all fixings to ensure none have come loose. Re-tighten if necessary.
9. Avoid sharp items such as a screwdriver or any pointy tools.
10. Dispose of all packaging carefully and responsibly - recycle where possible.

Parts list



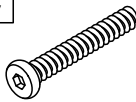
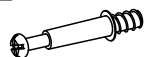



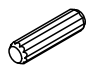
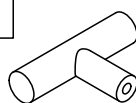


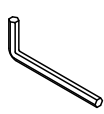


Before you begin building your Willow Shoe Storage Bench, please take a moment to read through the instructions and make sure that you have all the relevant parts listed on the parts check list.

Part Number	Part Description	Quantity
①	Top	1 pc
②	Leg Support	4 pcs
③	Left Leg	1 pc
④	Shelf Panel	1 pc
⑤	Left Side Panel	1 pc
⑥	Back Panel	1 pc
⑦	Right Side Panel	1 pc
⑧	Right Leg	1 pc
⑨	Bottom Panel	1 pc
⑩	Door	1 pc

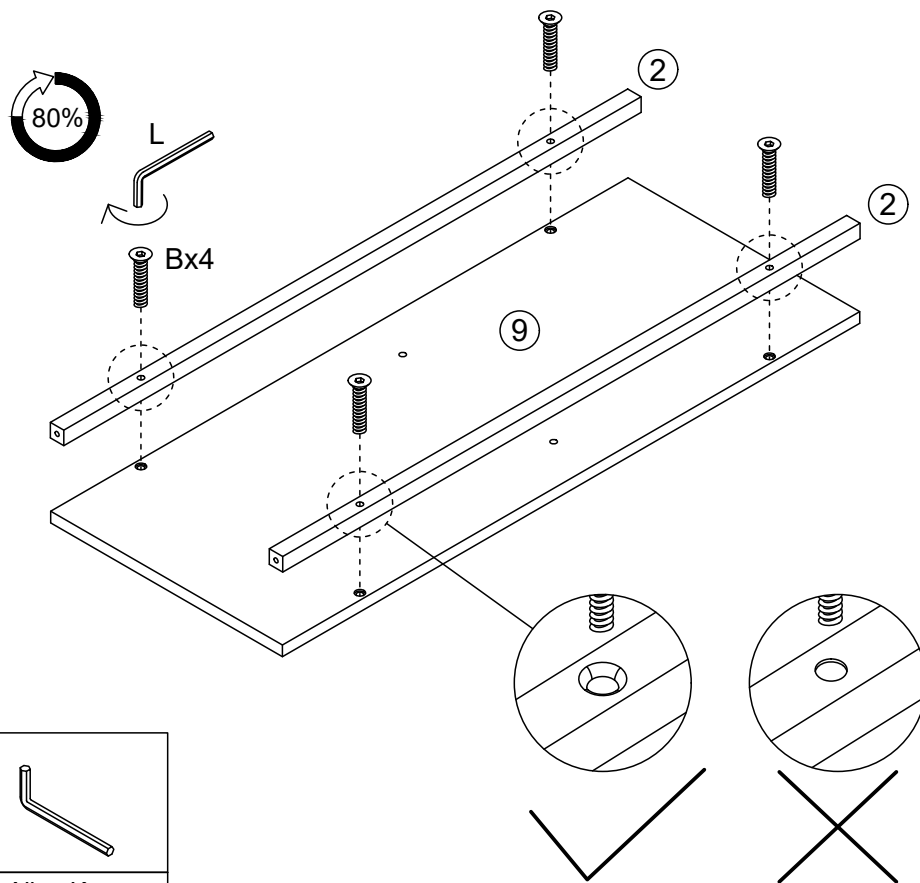



Fittings

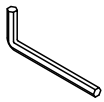
Please check you have all the fittings listed below with your product.

					
M6*30mm Bolt 2pcs	M6*30mm Bolt 8pcs+1pc extra	M6*40mm Bolt 8pcs+1pc extra	M6*35mm Bolt 4pcs	Ø15*12mm Cam Lock 4pcs	M3.5*14mm Screw 16pcs+2pcs extra
					
M7*48mm Screw 6pcs+1pc extra	Ø8*30mm Dowel 8pcs+1pc extra	Handle 1pc	M4*20mm Bolt 1pc	Plastic Buckle 4pcs	Allen Key 1pc
					
Hinge 2pcs	Ø20mm Sticker 6pcs				

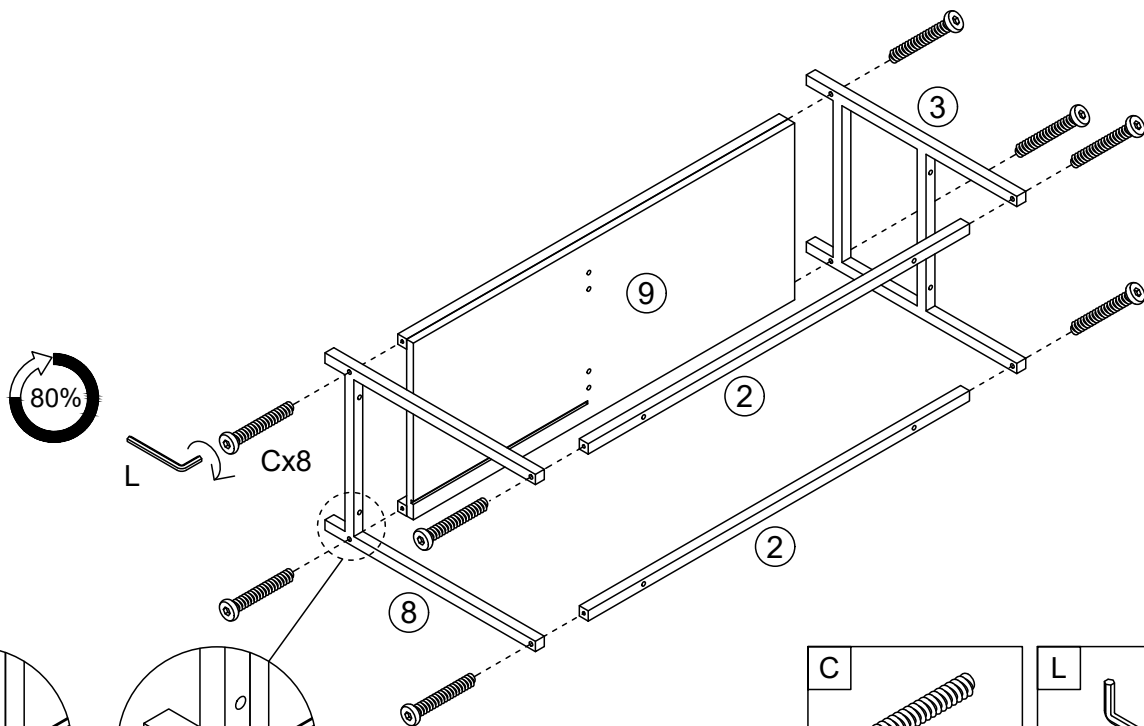
1. Attach the Leg Supports to the Bottom Panel.

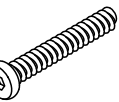


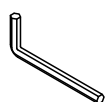
B	
M6*30mm Bolt	
4pcs	

L	
Allen Key	
1pc	

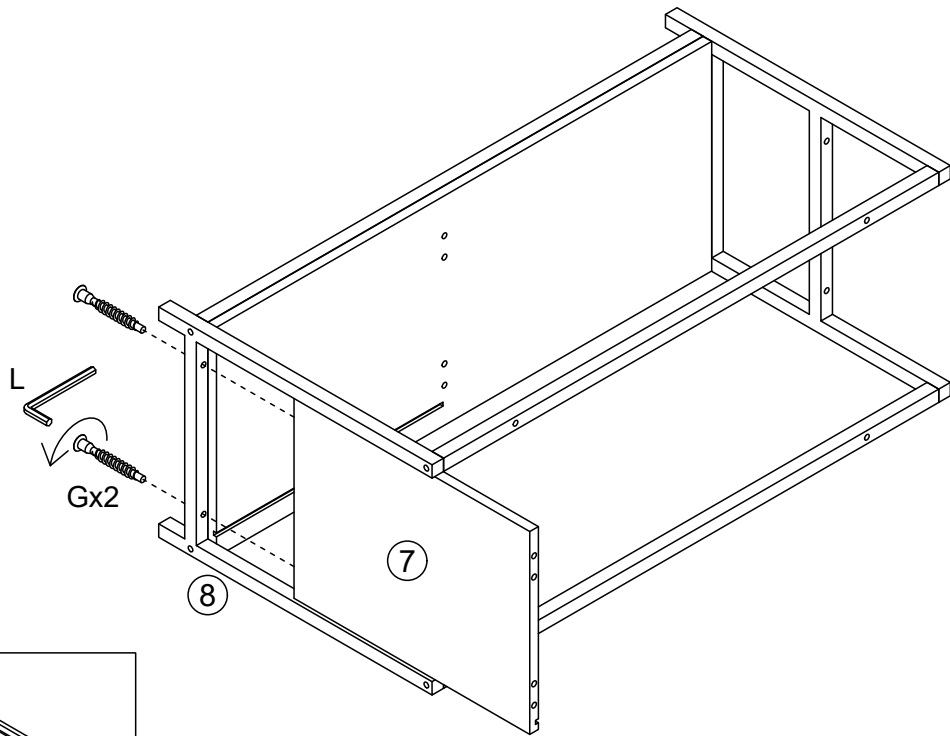
2. Attach the Leg Supports to the Legs.




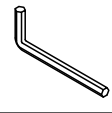
C	
M6*40mm Bolt	
8pcs	

L	
Allen Key	
1pc	

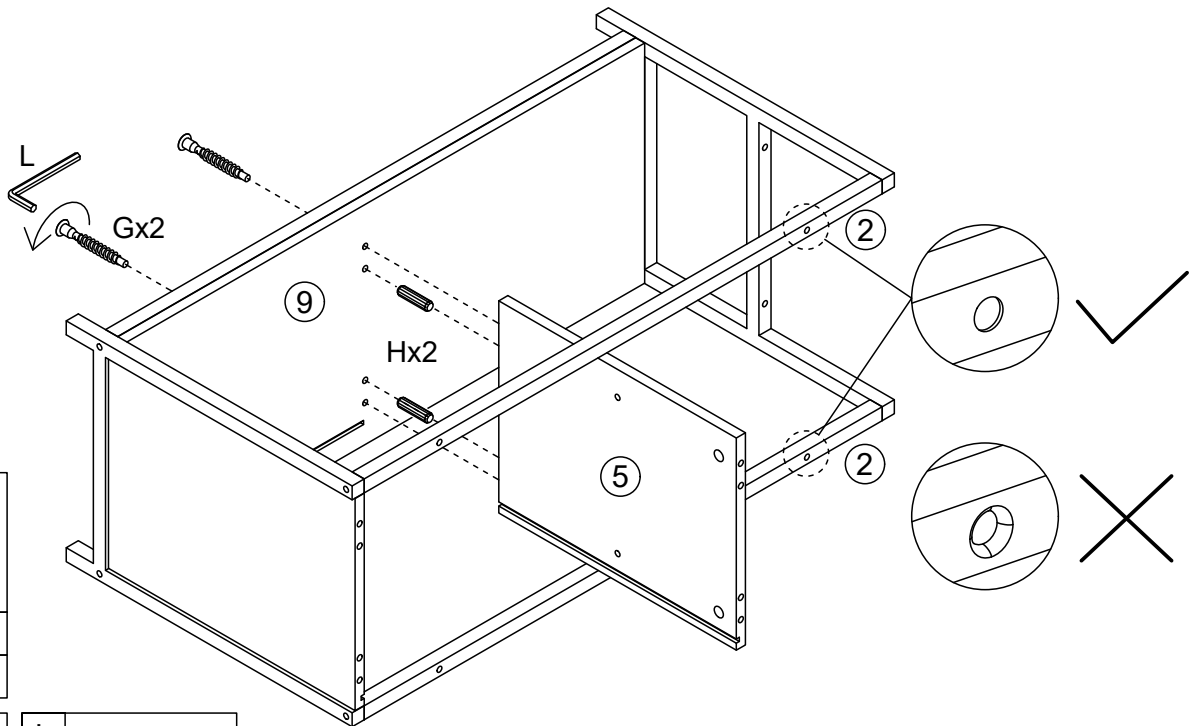
3. Attach the Right Side Panel onto the Frame.

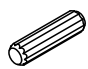



G	
M7*48mm Screw	
2pcs	

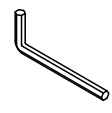
L	
Allen Key	
1pc	

4. Attach the Left Side Panel onto the Frame.

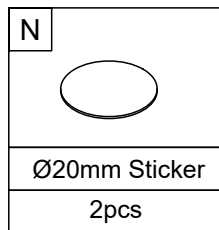
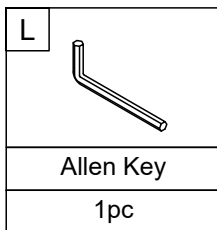
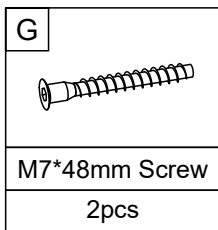
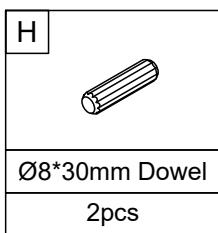
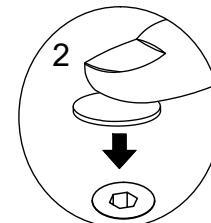
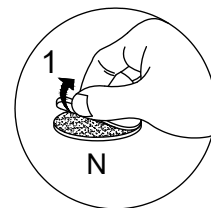
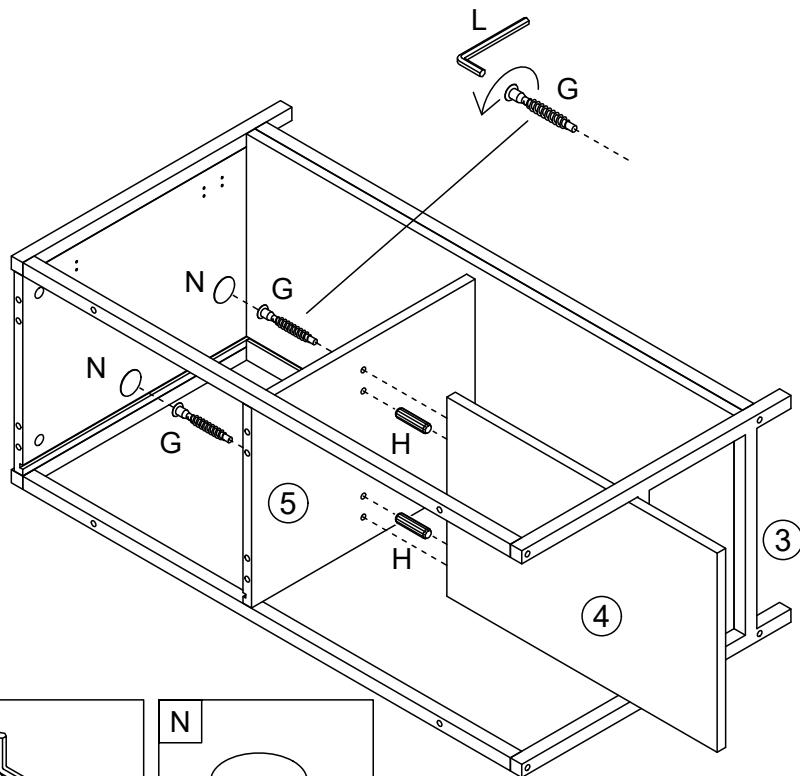


H	
Ø8*30mm Dowel	
2pcs	

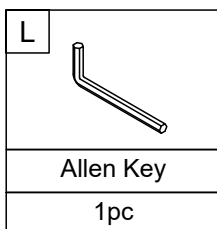
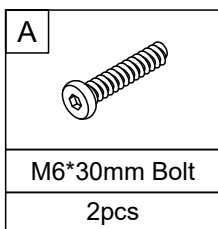
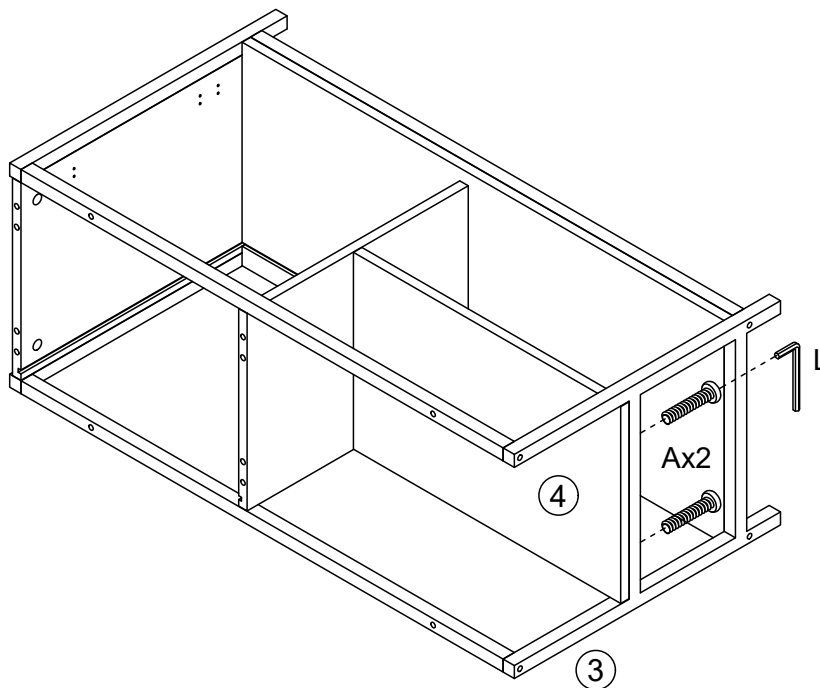
G	
M7*48mm Screw	
2pcs	

L	
Allen Key	
1pc	

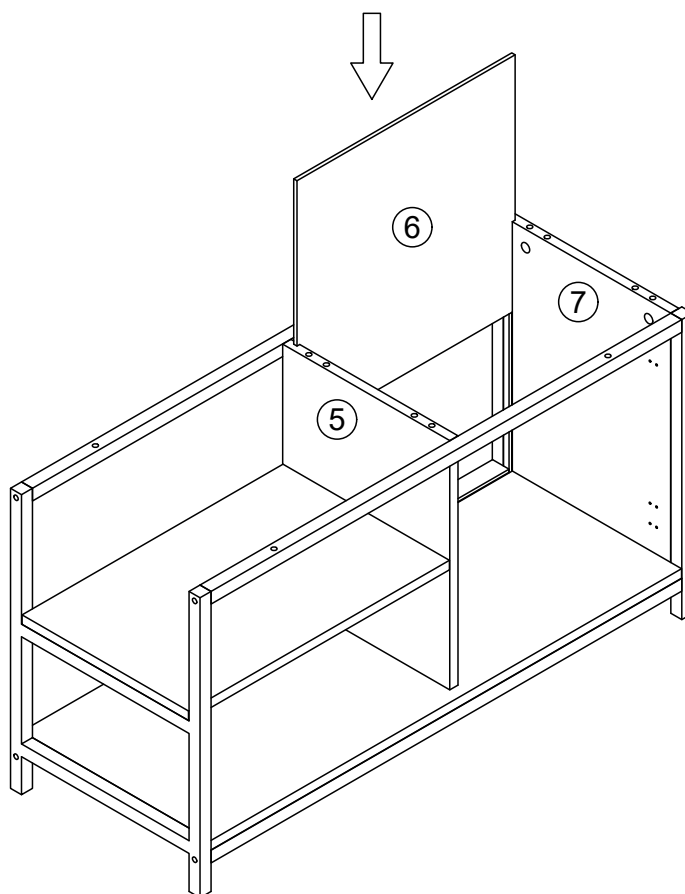
5. Attach the Shelf Panel to the Left Side Panel and attach the Stickers.



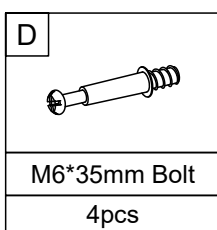
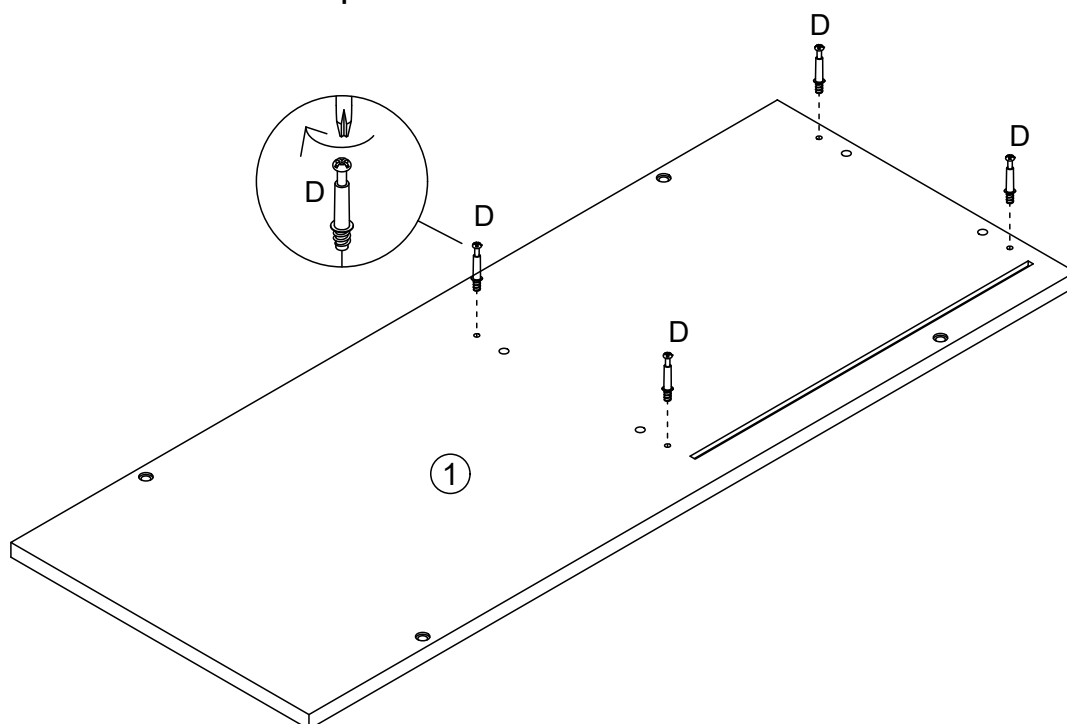
6. Attach the Bolts to the Shelf Panel.



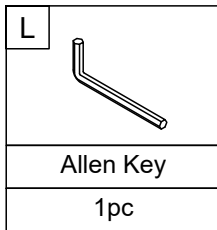
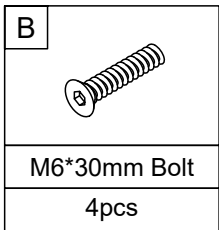
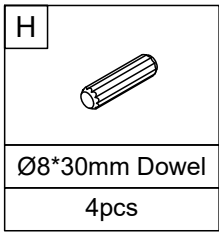
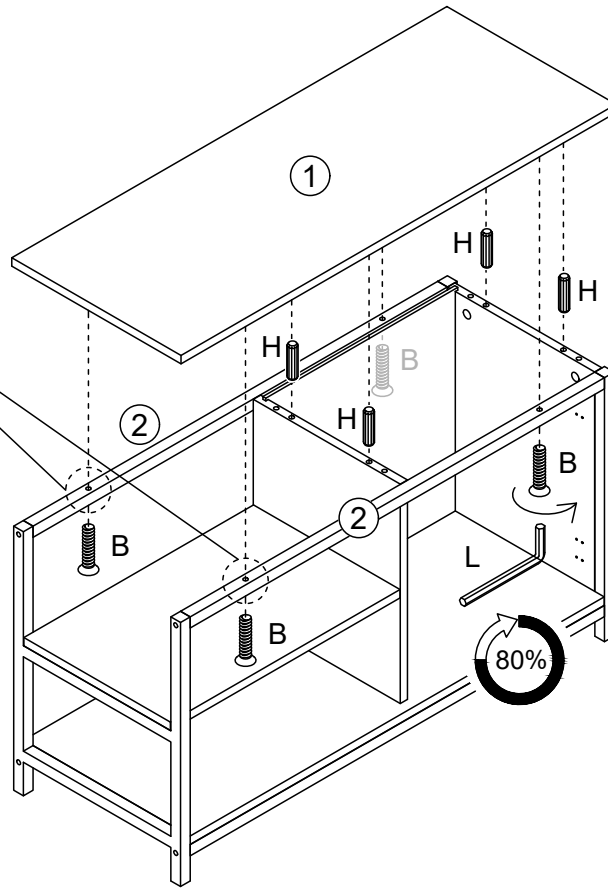
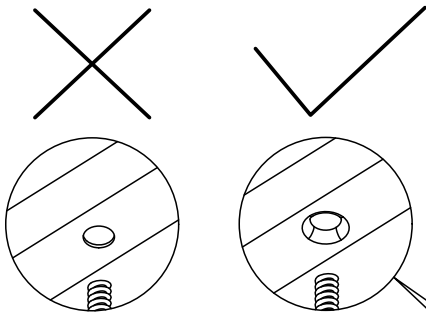
7. Assemble the Back Panel into the Frame.



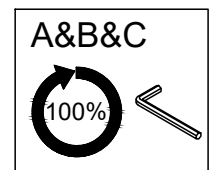
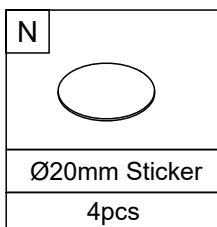
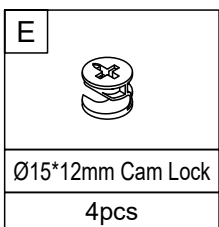
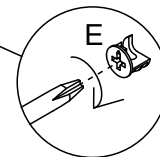
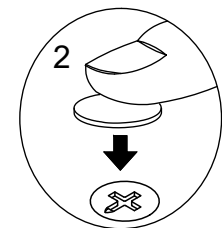
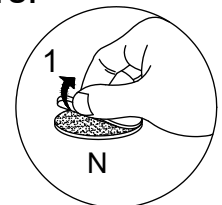
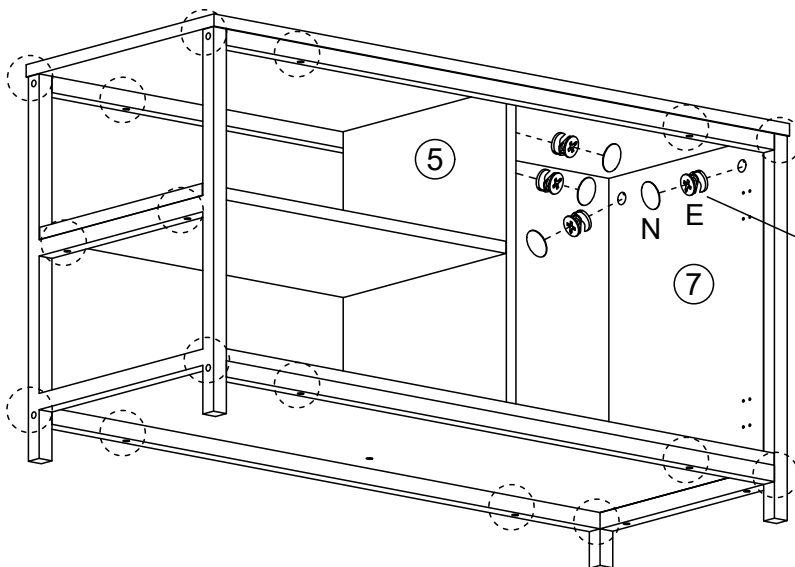
8. Attach the Bolts to the Top.



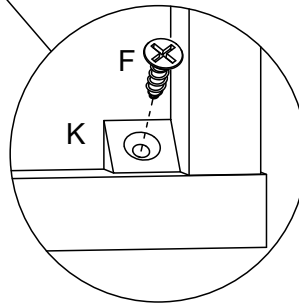
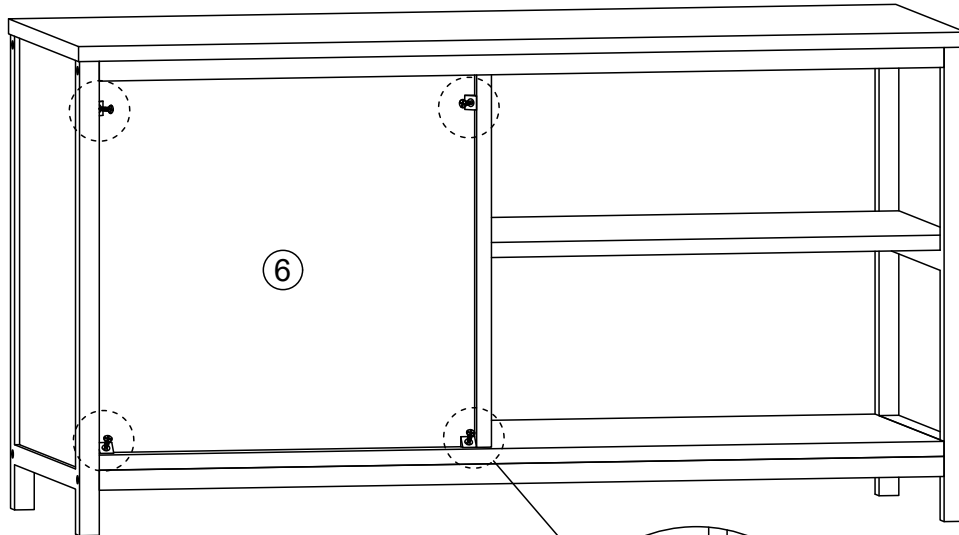
9. Attach the Top onto the Frame.




10. Tighten the Bolts and Cam Locks fully and attach the Stickers.

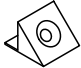


11. Attach the Plastic Buckles.

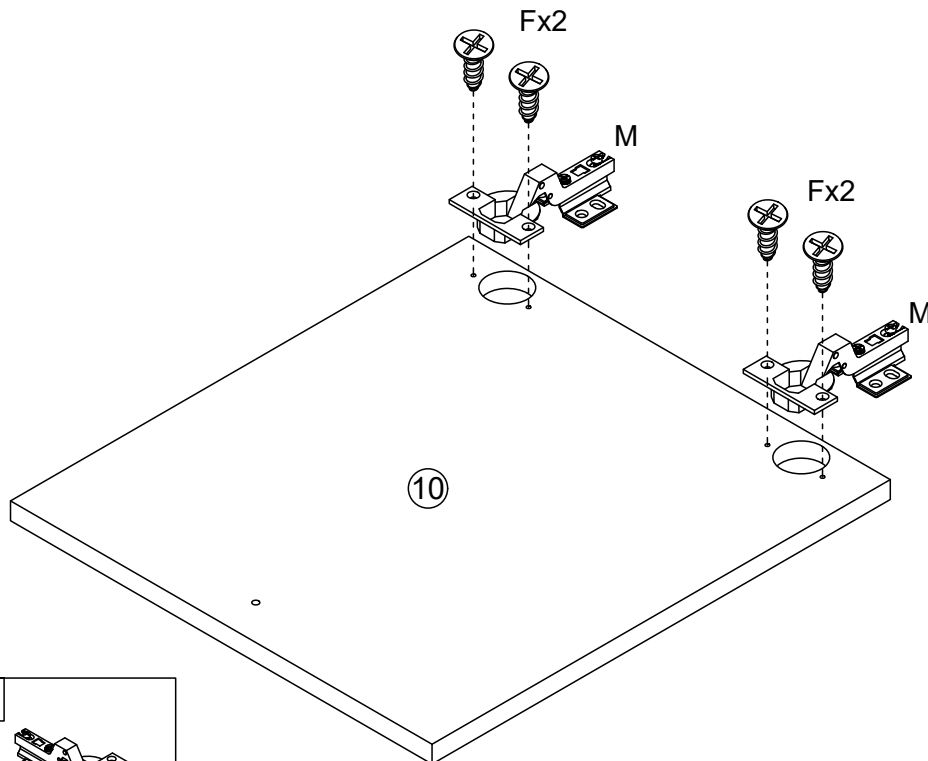



x4

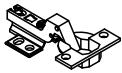
F	
M3.5*14mm Screw	
4pcs	

K	
Plastic Buckle	
4pcs	

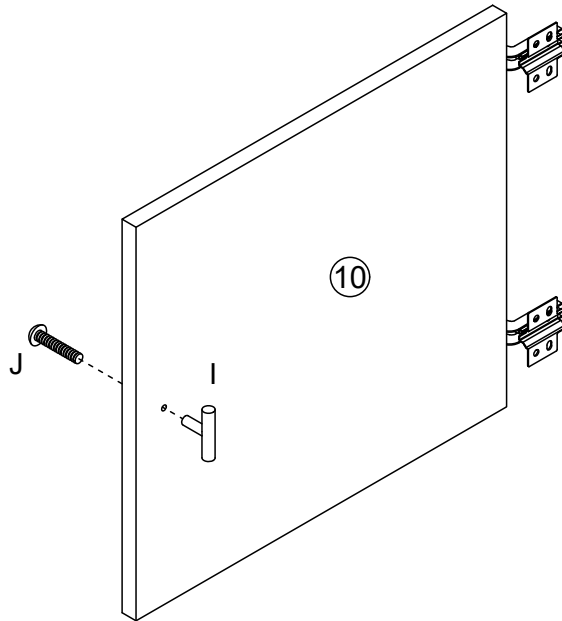
12. Attach the Hinges to the Door.

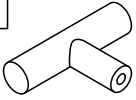



F	
M3.5*14mm Screw	
4pcs	

M	
Hinge	
2pcs	

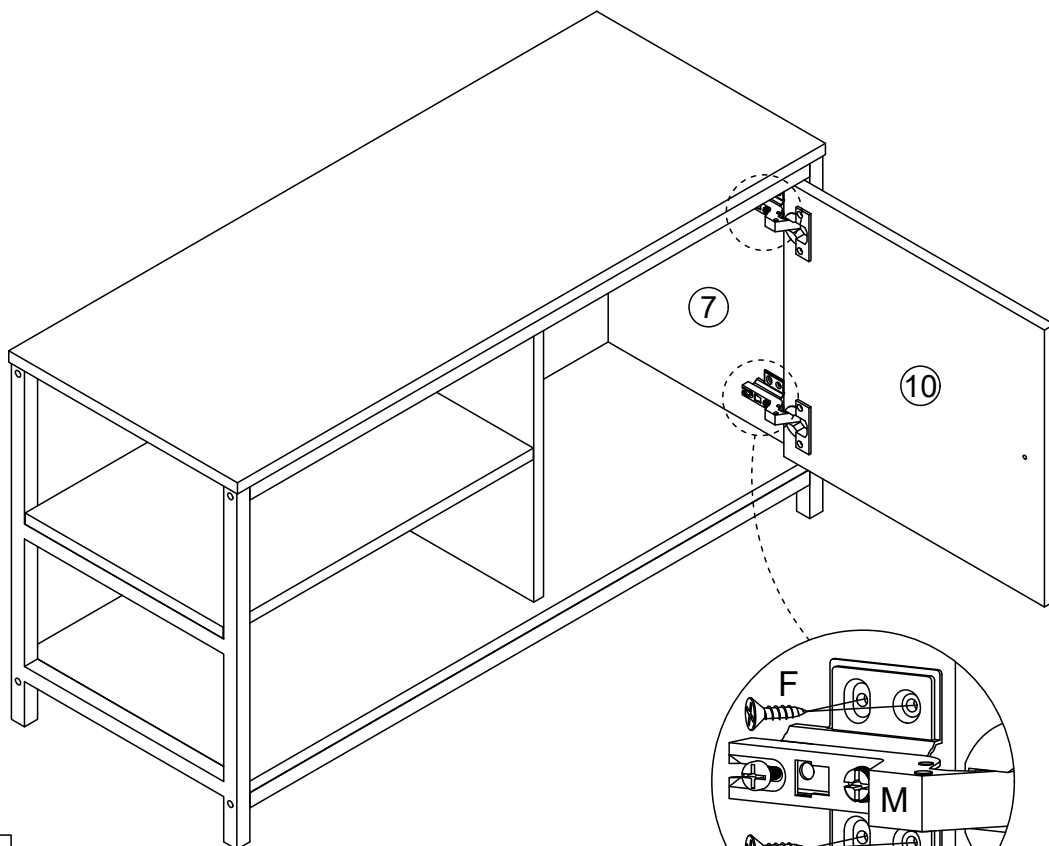
13. Assemble the Handle.




I	
Handle	
1pc	

J	
M4*20mm Bolt	
1pc	

14. Attach the Door to the Right Side Panel.



F	
M3.5*14mm Screw	
8pcs	

15. Adjust the Door.

