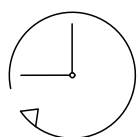
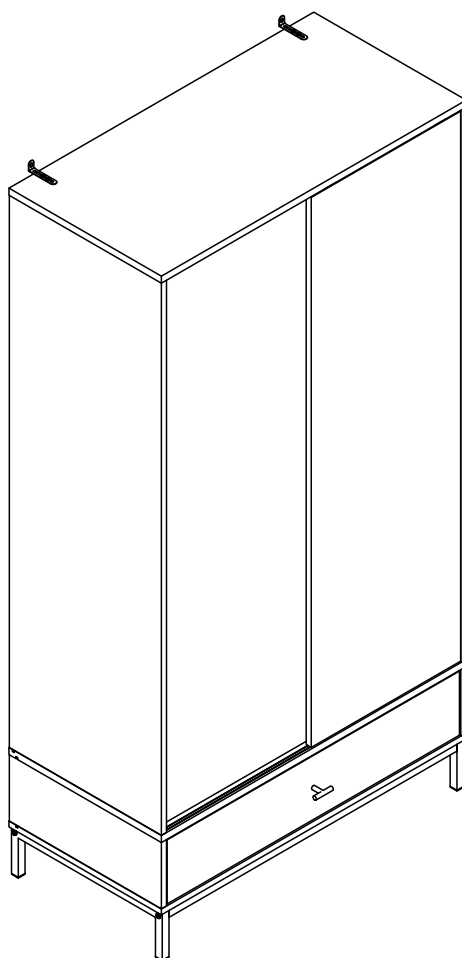
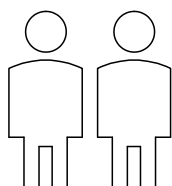


Willow Sliding 2 Door Wardrobe



Up to 45 minutes
assembly time



Two person
assembly

This product is intended for domestic use only, not for commercial purposes.

IMPORTANT

ASSEMBLY TIP

Before you begin, it's best to identify all of the parts and fittings to build your Willow Sliding 2 Door Wardrobe frame. We advise laying these out on the floor to check you have everything, and to familiarise yourself with all of the parts and fittings before building.

TOP TIP

We recommend that you assemble the Willow Sliding 2 Door Wardrobe in the room you'd like it to be located. This will help prevent any risk of damage to the frame whilst moving it.

SAFETY AND CARE

It's important to ensure children and animals are kept away from the assembly area, as there are small components used in this product which could present a choking hazard. All plastic and wrapping materials should also be kept away from children and animals to prevent any risk of suffocation.

HELP AND SUPPORT

Please contact our customer service team on 0113 519 0311 if you have any questions or issues with your purchase.

RECYCLING

Please ensure that packaging is disposed of in a safe and environmentally friendly way, and recycle where possible. Please keep your assembly instructions safe to refer back to in the future.

CARE AND MAINTENANCE:

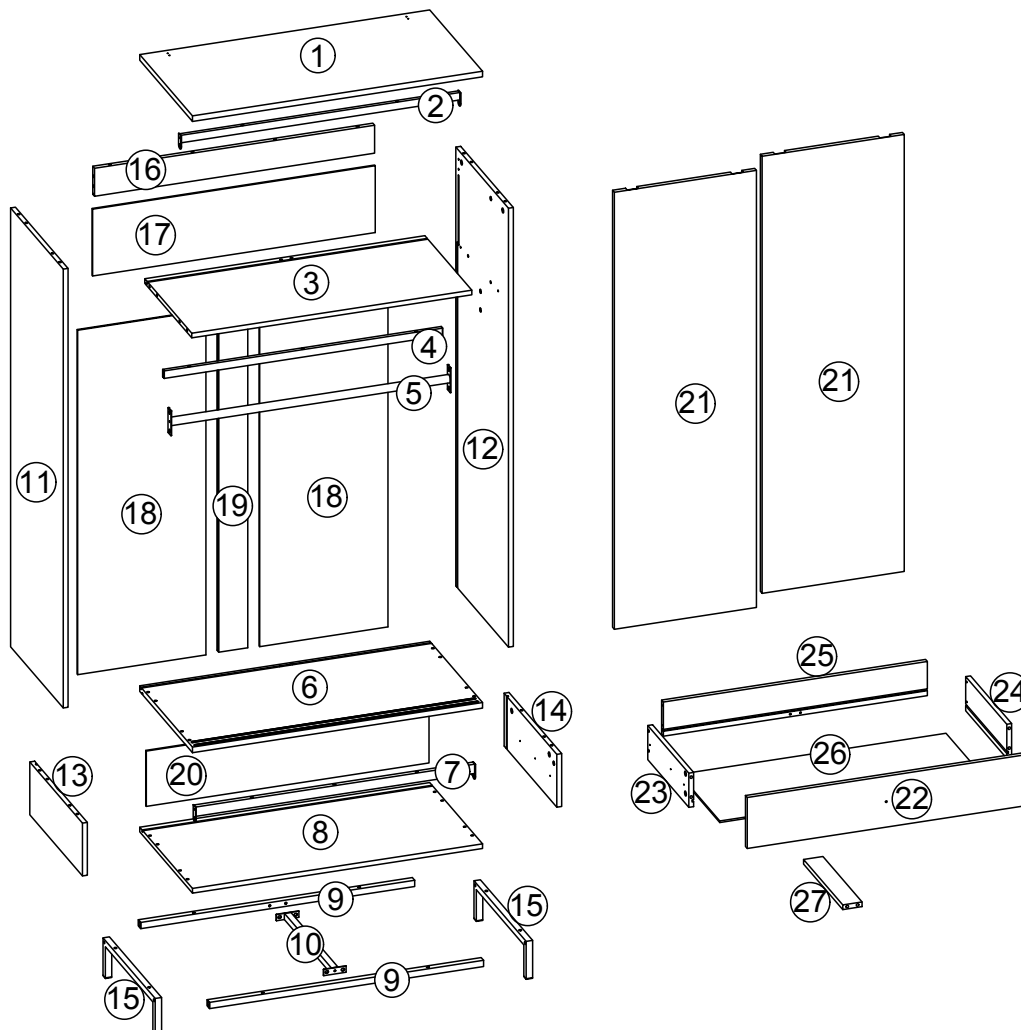
1. Only clean using a damp cloth, do not use bleach or abrasive cleaners as they may damage the finish over time.
2. Do not use a very wet cloth or allow any liquid to contact with the veneer for a long period of time. Wipe any spillage immediately. Absorption can cause wood to warp or finishes to de-laminate.
3. Do not scrub or rub the surface when cleaning.
4. Do not drag the Willow Sliding 2 Door Wardrobe when moving, lift it off the floor instead.
5. Use a placemat or a coaster when putting hot items (e.g. hot drinks and dishes) on the wood surface.
6. It is not recommended to place the item next to sources of heat such as radiators, fires or directly exposed to sunlight. This may cause the wood to crack, split or fade due to the heat and humidity.
7. Wood will mellow and change colour over time, we recommend that ornaments and items placed on the surface to be moved regularly to prevent uneven mellowing.
8. Regularly check all fixings to ensure none have come loose. Re-tighten if necessary.
9. Avoid sharp items such as a screwdriver or any pointy tools.
10. Dispose of all packaging carefully and responsibly - recycle where possible.

Parts list

Before you begin building your Willow Sliding 2Door Wardrobe , please take a moment to read through the instructions and make sure that you have all the relevant parts listed on the parts check list.

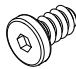
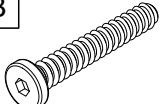
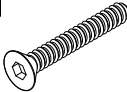
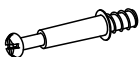



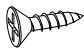
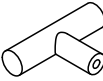


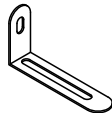

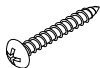
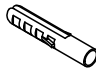

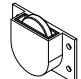
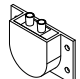

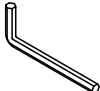

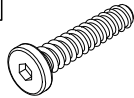
Part Number	Part Description	Quantity
①	Top	1 pc
②	Top Panel Support	1 pc
③	Shelf Panel	1 pc
④	Shelf Support	1 pc
⑤	Clothes Rail	1 pc
⑥	Shelf Panel	1 pc
⑦	Shelf Panel Support	1 pc
⑧	Bottom Panel	1 pc
⑨	Leg Support	2 pcs
⑩	Leg Centre Support	1 pc
⑪	Left Side Panel	1 pc
⑫	Right Side Panel	1 pc
⑬	Left Side Panel	1 pc
⑭	Right Side Panel	1 pc

Part Number	Part Description	Quantity
⑮	Leg	2 pcs
⑯	Back Brace	1 pc
⑰	Back Panel	1 pc
⑱	Back Panel	2 pcs
⑲	Middle Back Panel	1 pc
⑳	Back Panel	1 pc
㉑	Sliding Door	2 pcs
㉒	Drawer Front	1 pc
㉓	Drawer Left Side	1 pc
㉔	Drawer Right Side	1 pc
㉕	Drawer Back Side	1 pc
㉖	Drawer Bottom	1 pc
㉗	Drawer Bottom Support	1 pc

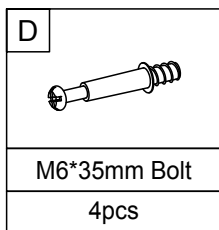
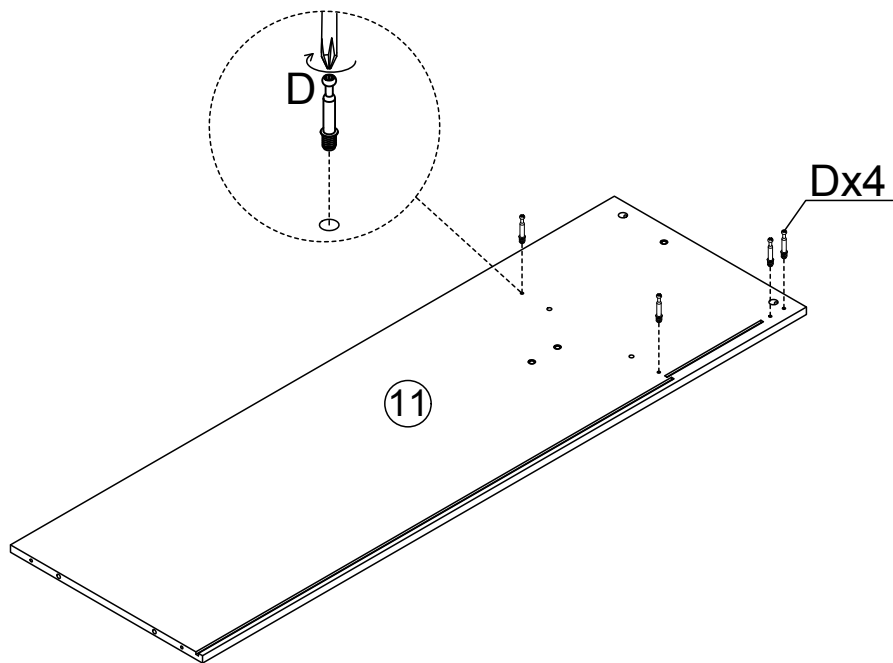


Fittings

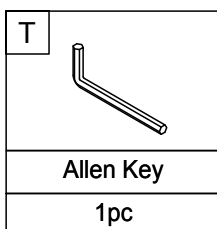
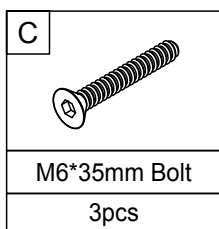
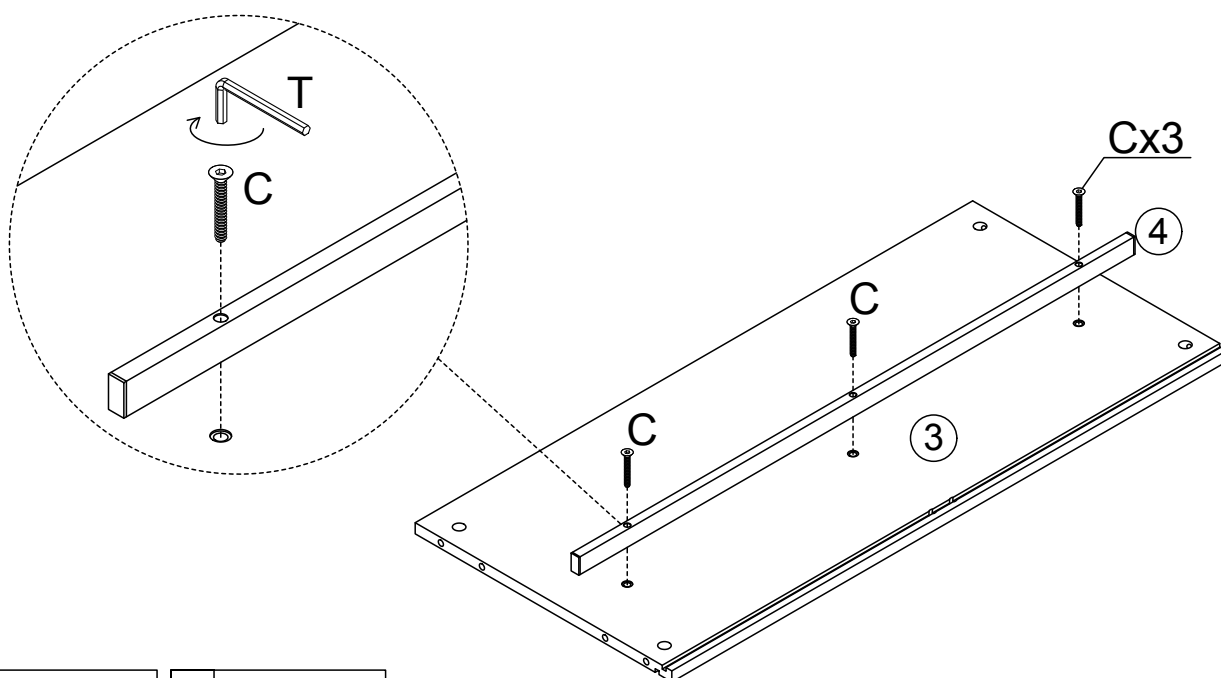
Please check you have all the fittings listed below with your product.

<p>A</p> 	<p>B</p> 	<p>C</p> 	<p>D</p> 	<p>E</p> 	<p>F</p> 
<p>M6*12mm Bolt 12pcs+2pc extra</p>	<p>M6*40mm Bolt 7pcs+1pc extra</p>	<p>M6*35mm Bolt 5pcs</p>	<p>M6*35mm Bolt 26pcs+4pcs extra</p>	<p>Ø15mm Cam lock 26pcs+4pcs extra</p>	<p>Ø7.8*30mm Dowel 20pcs+3pcs extra</p>
<p>G</p> 	<p>H</p> 	<p>I</p> 	<p>J</p> 	<p>K</p> 	<p>L</p> 
<p>M7*48mm Screw 12pcs+2pc extra</p>	<p>M3.5*14mm Screw 44pcs+4pcs extra</p>	<p>Handle 1pc</p>	<p>M4*20mm Bolt 1pc</p>	<p>M4*35mm Screw 6pcs+1pc extra</p>	<p>Wall Bracket 2pcs</p>
<p>M</p> 	<p>N</p> 	<p>O</p> 	<p>P</p> 	<p>Q</p> 	<p>R</p> 
<p>M4*14mm Screw 4pcs</p>	<p>M4*35mm Screw 2pcs</p>	<p>Ø6*30mm Wall Plug 2pcs</p>	<p>plastic Buckle 12pcs+2pcs extra</p>	<p>Down Pulley 4pcs</p>	<p>Up Pulley 4pcs</p>
<p>S</p> 	<p>T</p> 	<p>U</p> 	<p>V</p> 		
<p>Ø20mm Sticker 12pcs+2pc extra</p>	<p>Allen Key 1pc</p>	<p>Ø18*2mm 1pc</p>	<p>M6*30mm Bolt 8pcs+1pc extra</p>		

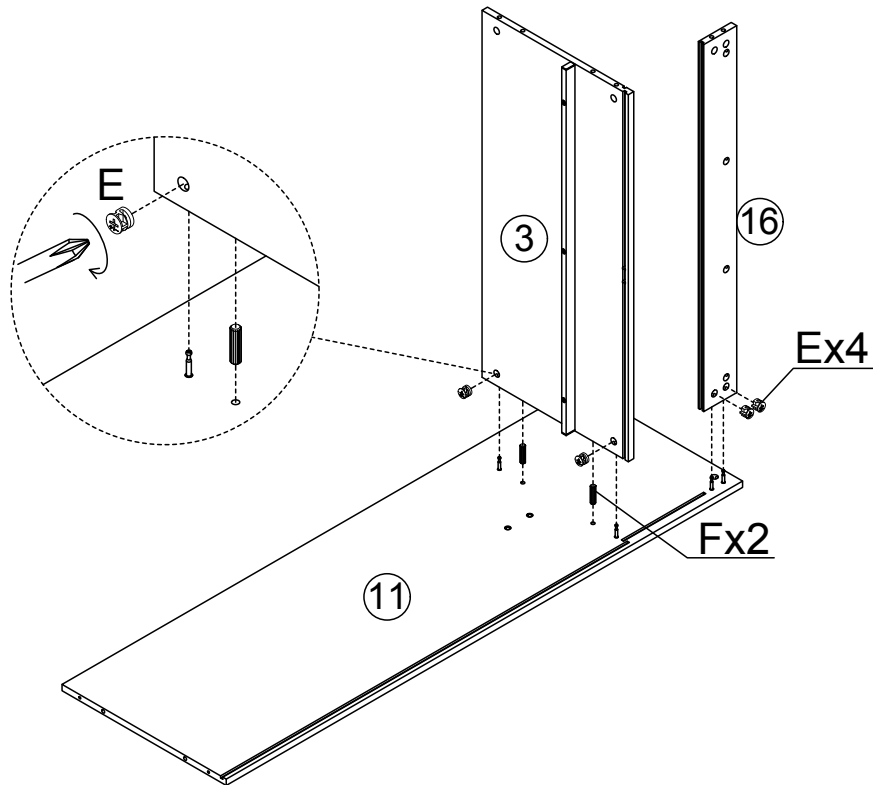
1. Attach the Bolts to the Left Side Panel.





2. Attach the Shelf Support to the Shelf Panel.



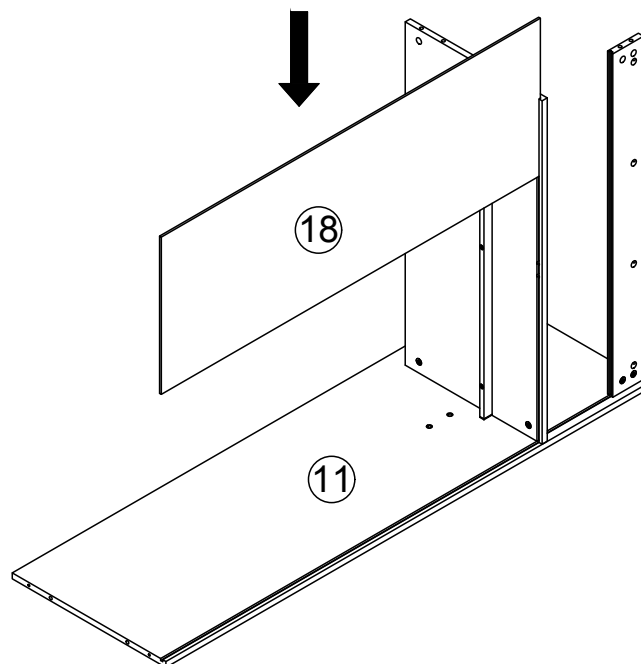
3. Attach the Shelf Panel and the Back Brace to the Left Side Panel.



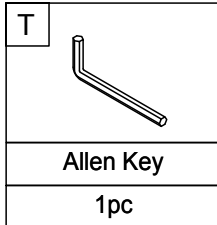
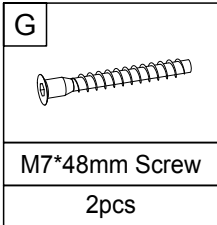
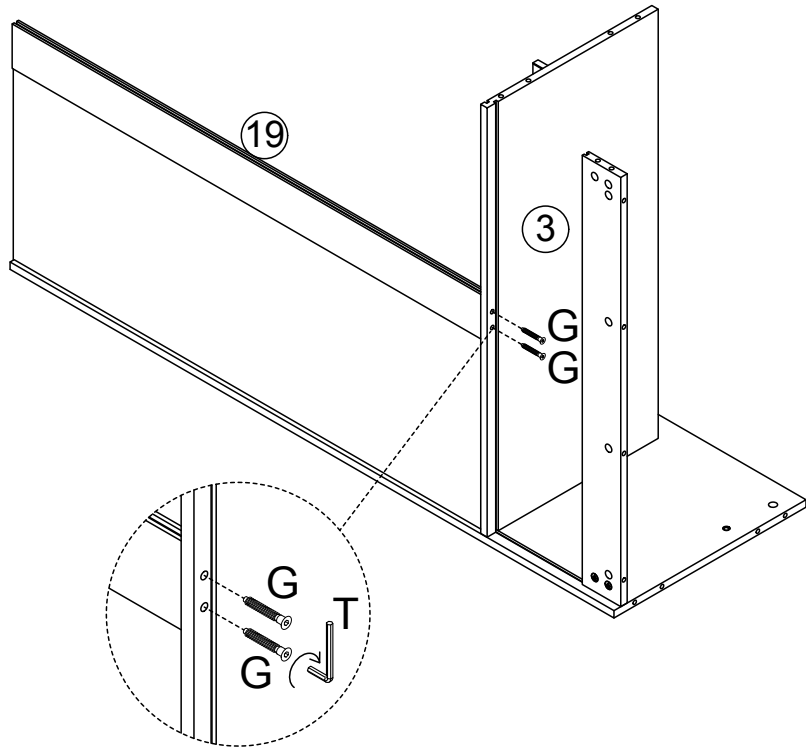
E	
Ø15mm Cam lock	
4pcs	

F	
Ø7.8*30mm Dowel	
2pcs	

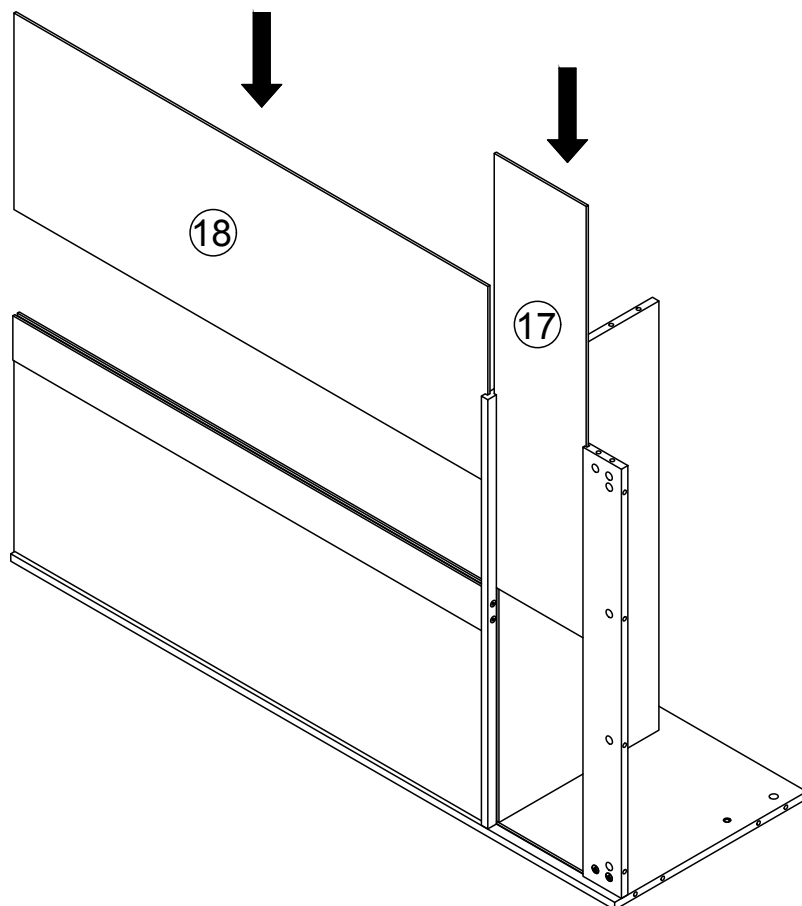
4. Assemble the Back Panel into the Frame.



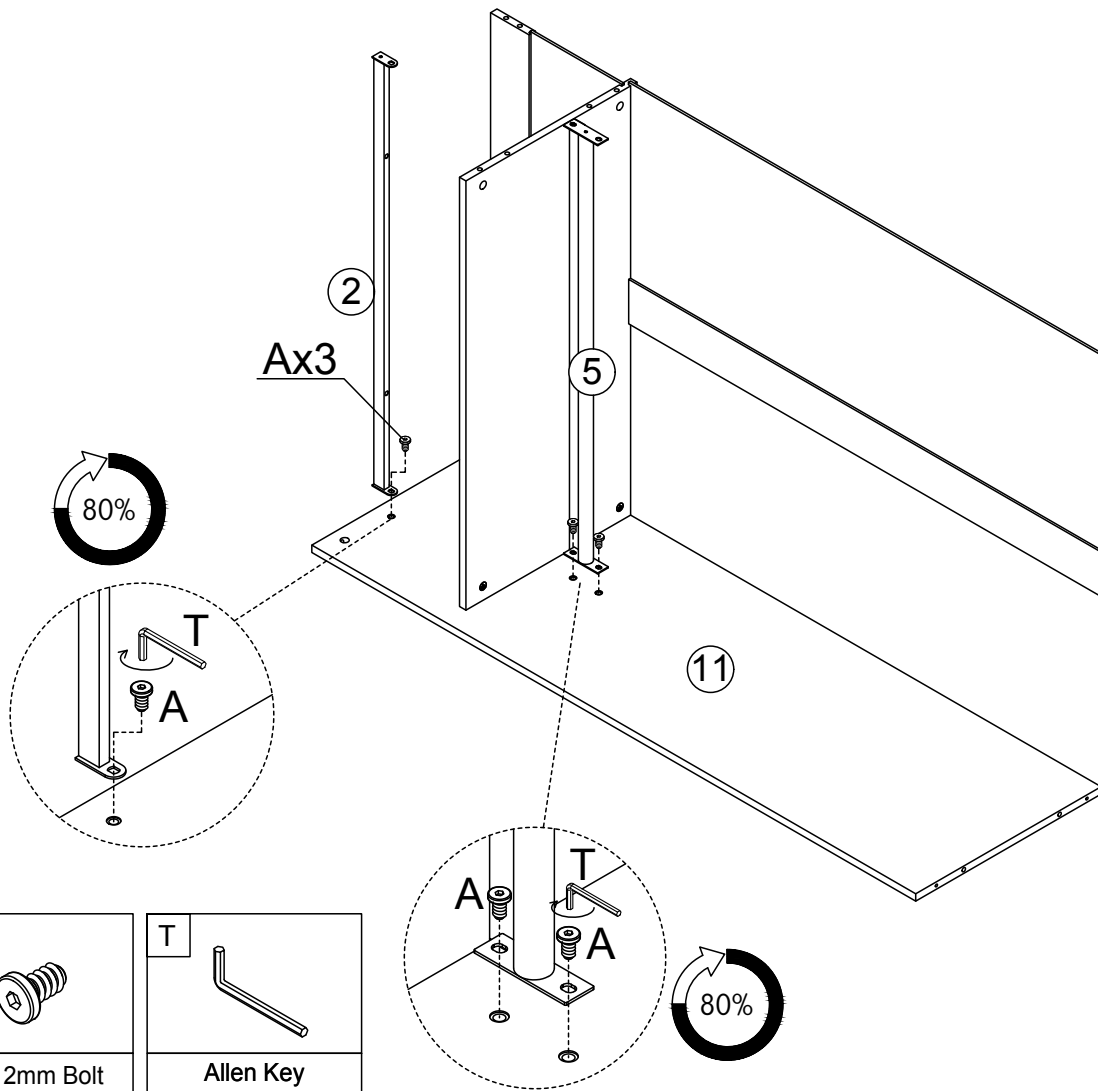
5. Attach Parts to the Frame .


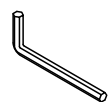


6. Assemble the Back Panels into the Frame.

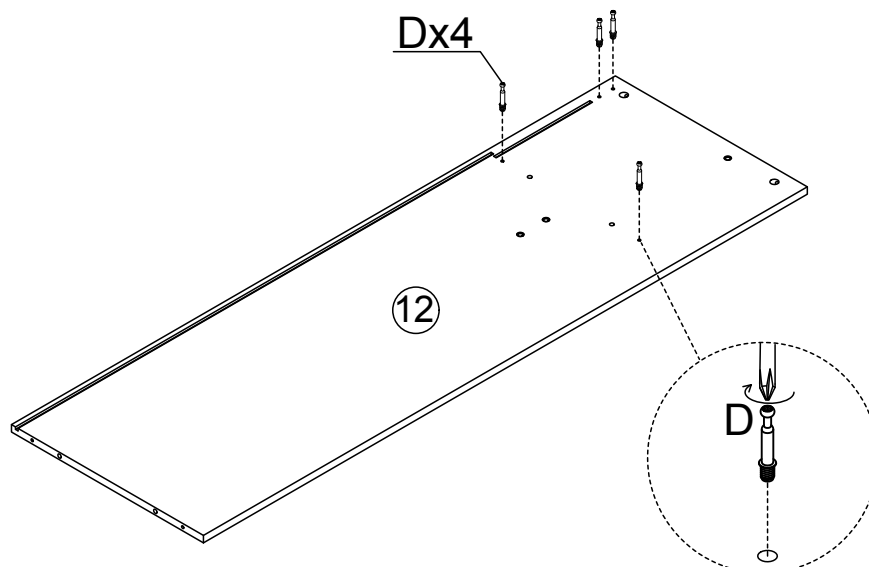


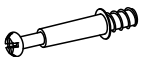
7. Attach Parts to the Frame.



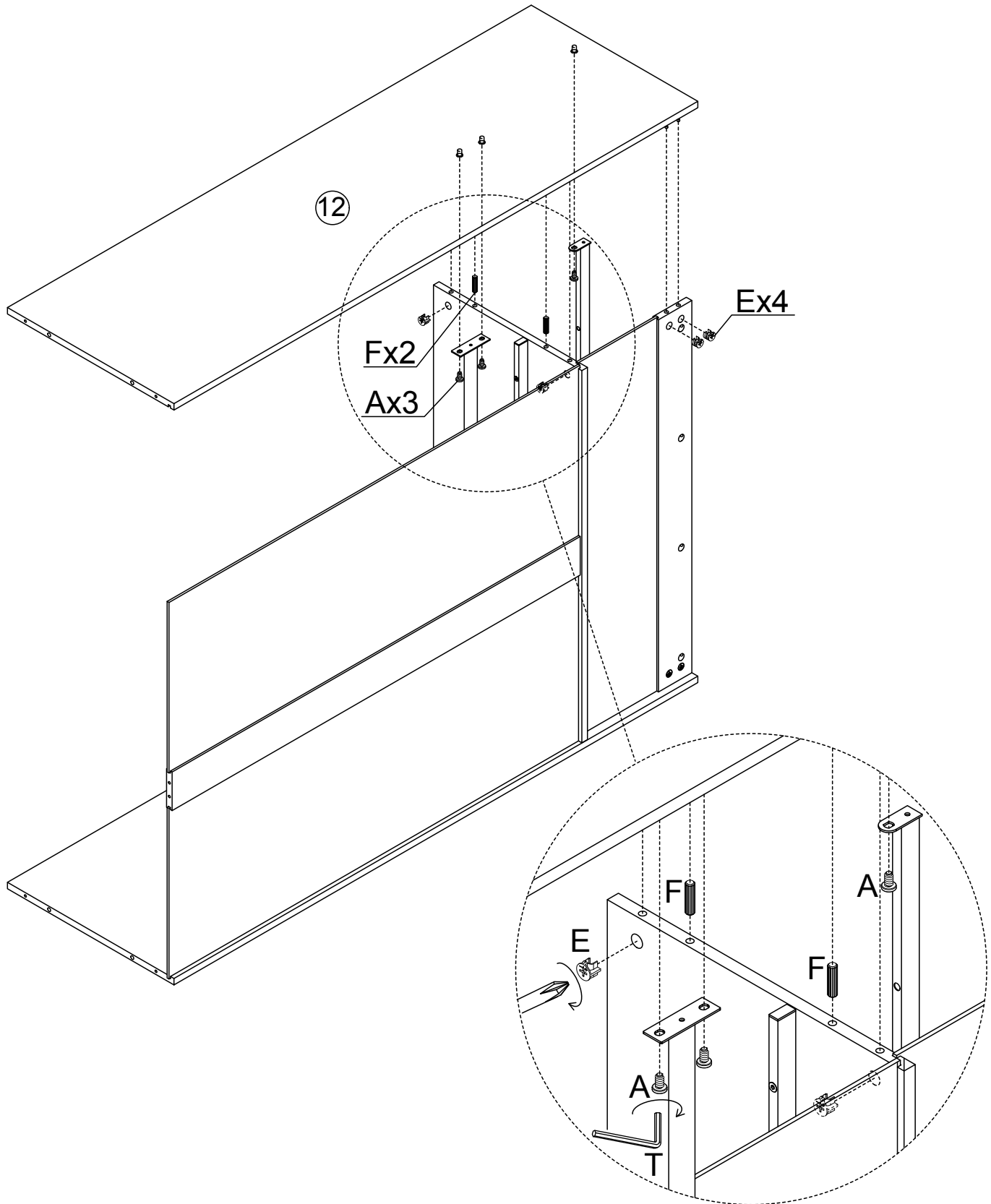
A		T	
M6*12mm Bolt		Allen Key	
3pcs		1pc	





8. Attach Parts to the Right Side Panel.



D	
M6*35mm Bolt	
4pcs	

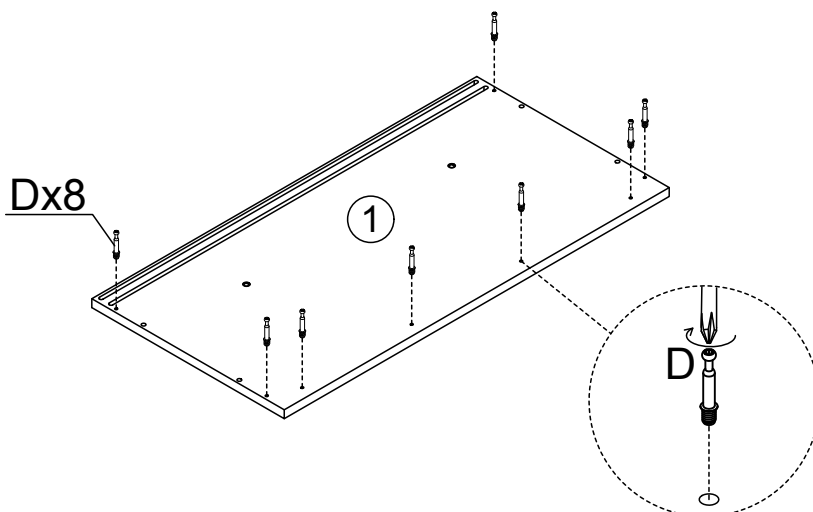
9. Attach the Right Side Panel to the Frame.

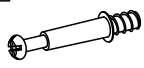


A 	E 	F 	T 
M6*12mm Bolt 3pcs	Ø15mm Cam lock 4pcs	Ø7.8*30mm Dowel 2pcs	Allen Key 1pc

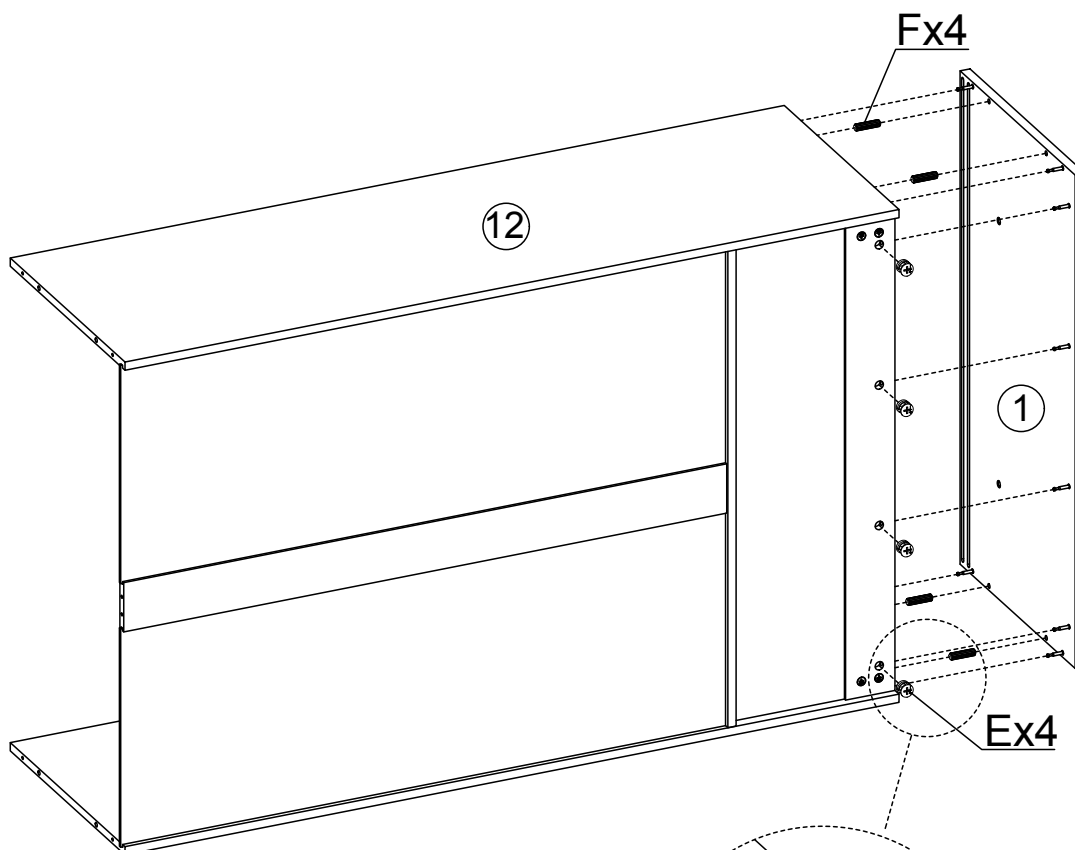



10. Attach Parts to the Top.




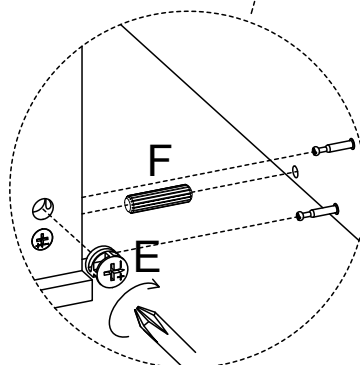
D	
M6*35mm Bolt	
8pcs	

11. Attach the Top to the Frame.

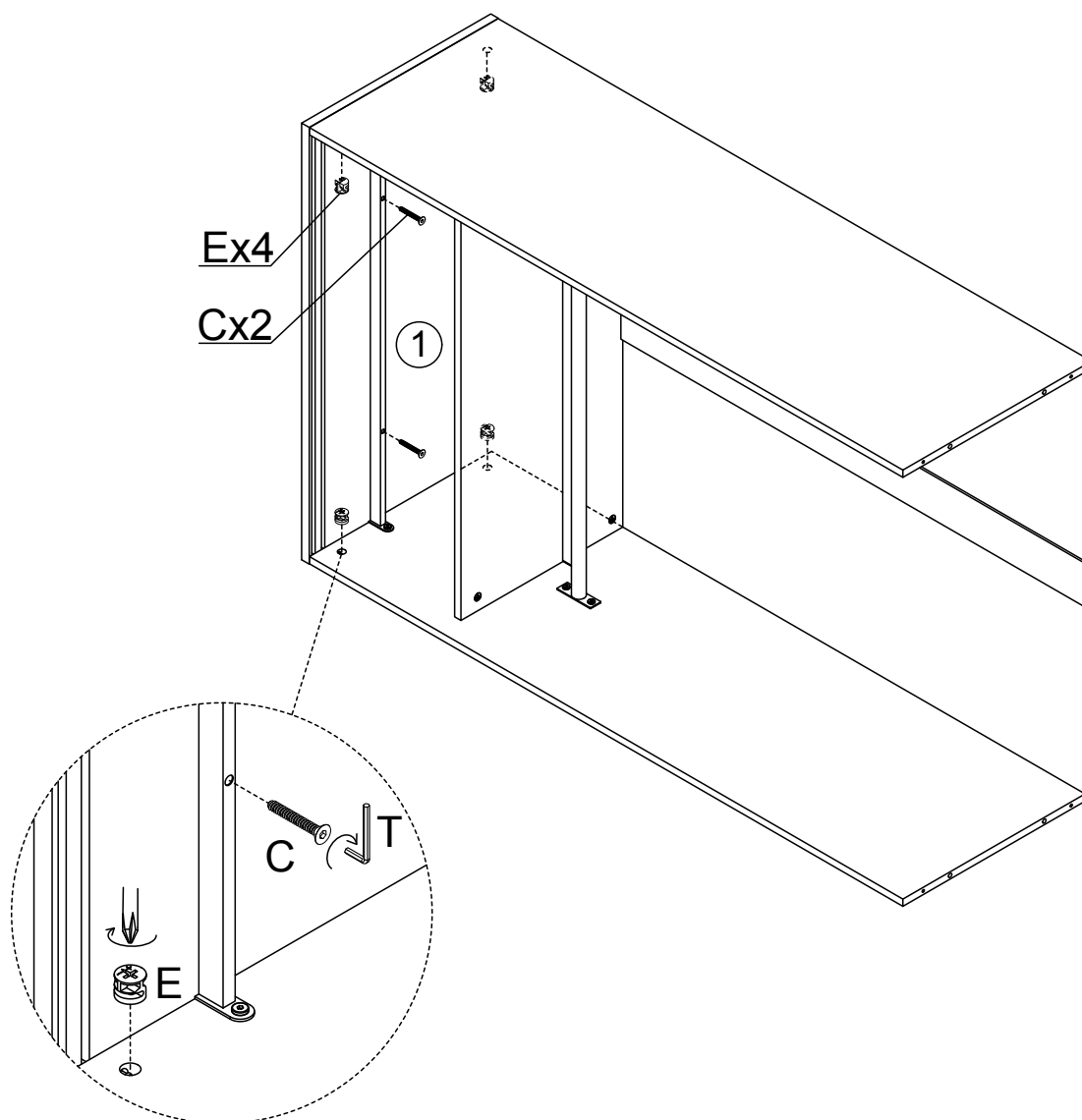




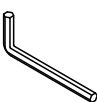
E	
Ø15mm Cam lock	
4pcs	

F	
Ø7.8*30mm Dowel	
4pcs	

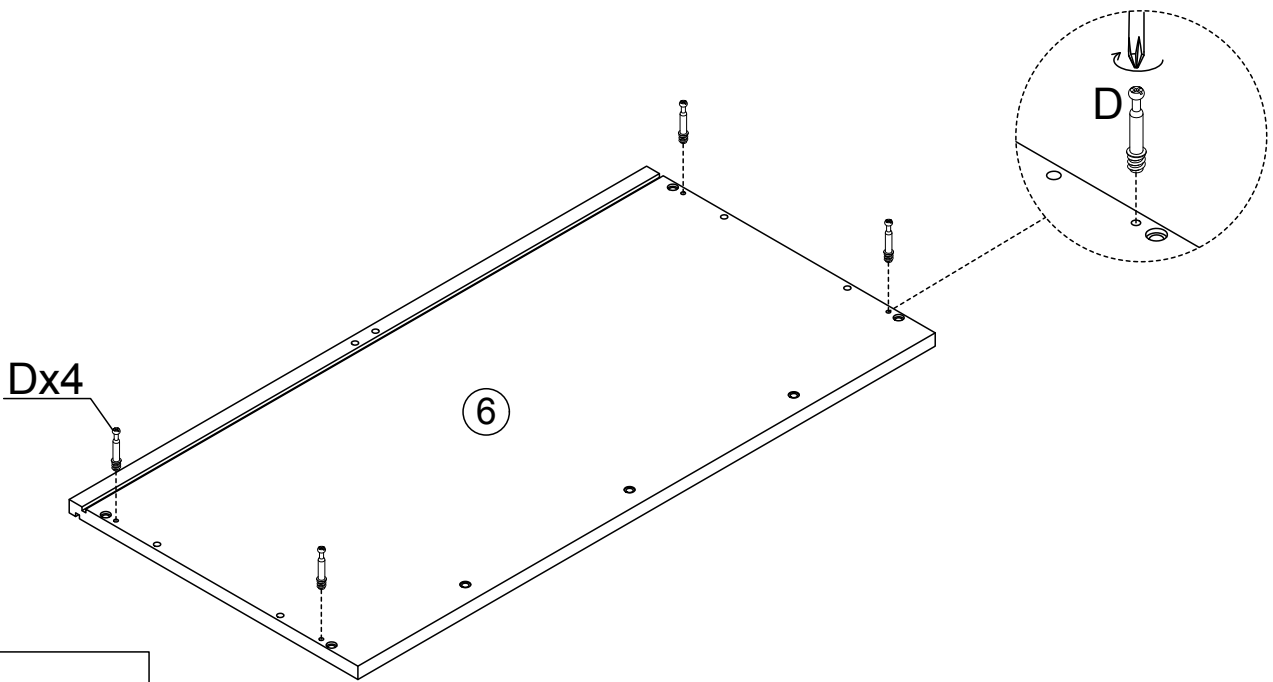


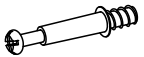
12. Attach Parts to the Frame.



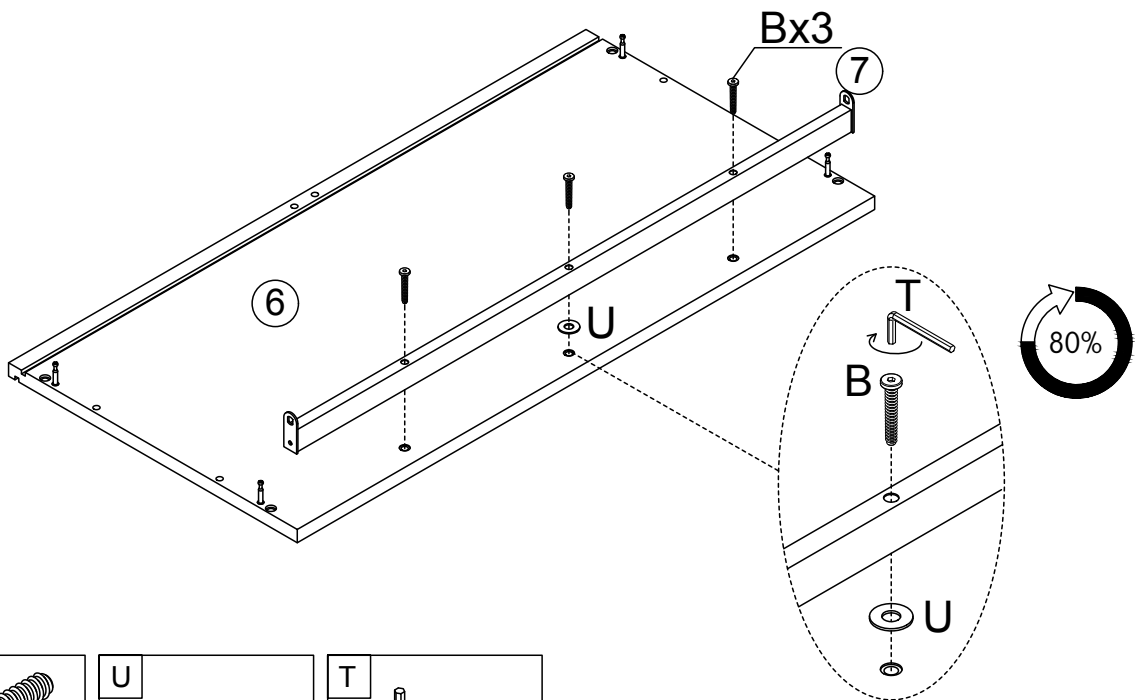
<p>C</p> 	<p>E</p> 	<p>T</p> 
<p>M6*35mm Bolt 2pcs</p>	<p>Ø15mm Cam lock 4pcs</p>	<p>Allen Key 1pc</p>

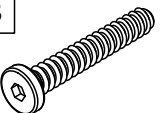
13. Attach the Bolts to the Shelf Panel.




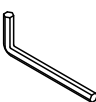
D	
M6*35mm Bolt	
4pcs	

14. Attach Shelf Panel Support to the Shelf Panel.

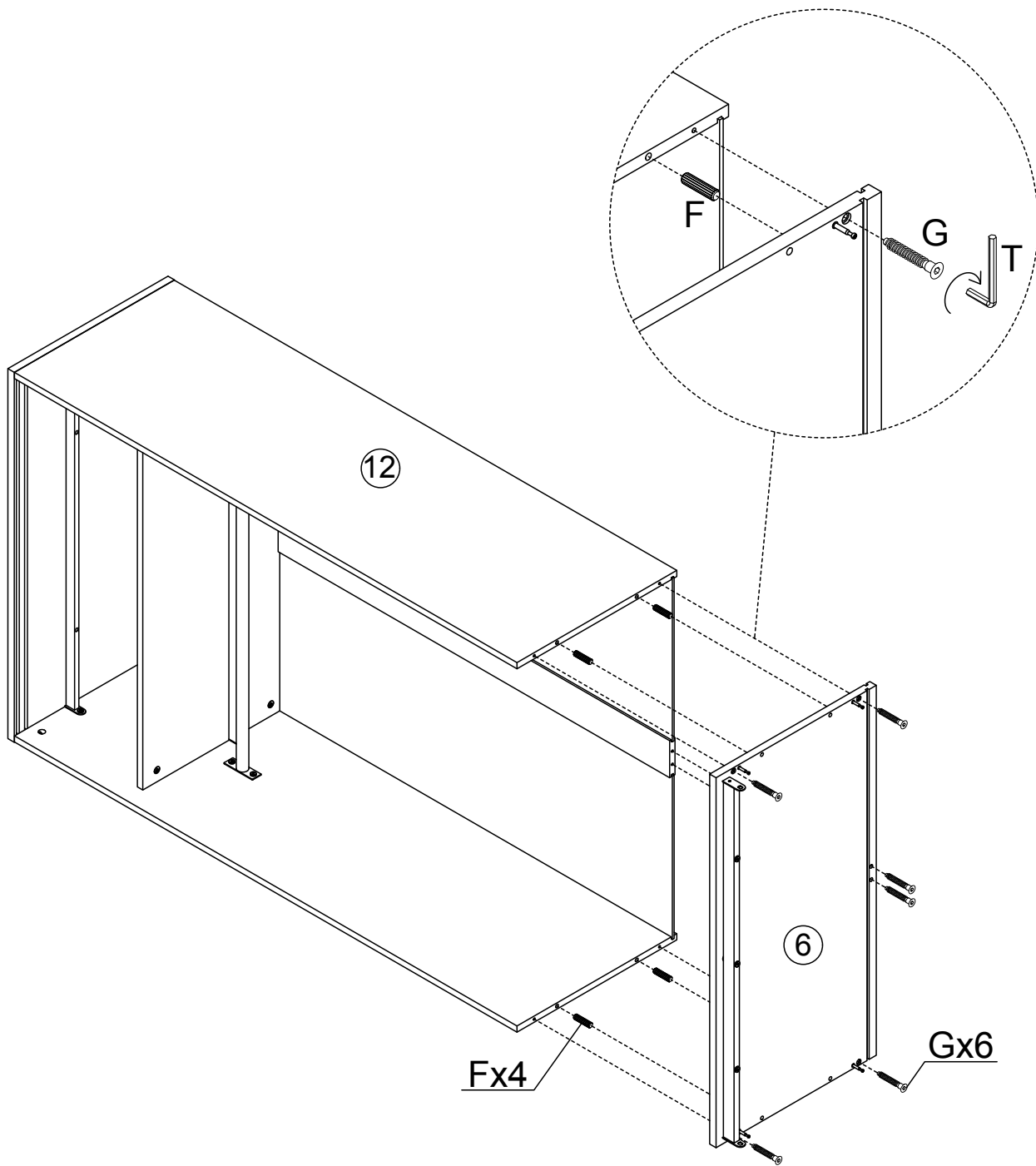




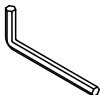
B	
M6*40mm Bolt	
3pcs	

U	
Ø18*2mm	
1pc	

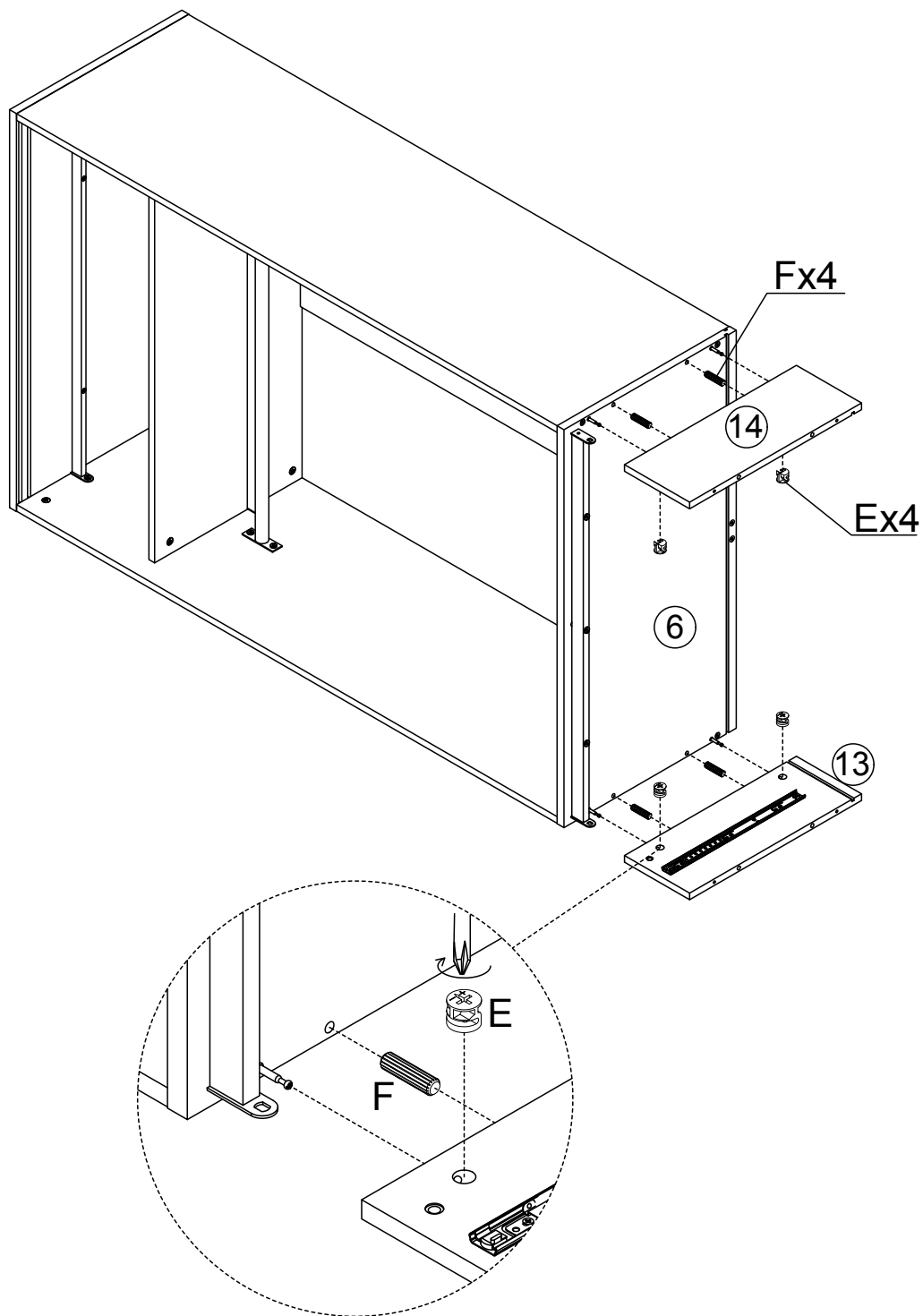
T	
Allen Key	
1pc	



15. Attach the Shelf Panel to the Frame.



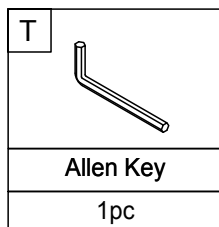
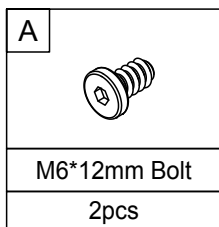
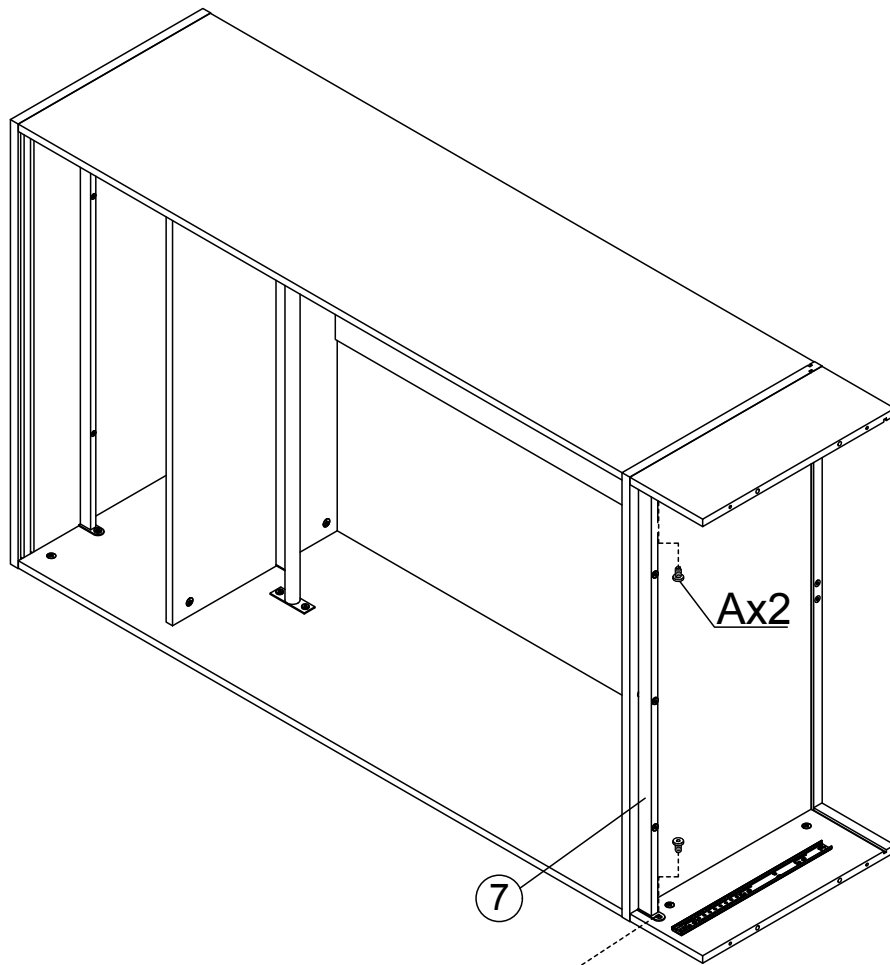
<p>F</p> 	<p>G</p> 	<p>T</p> 
<p>Ø7.8*30mm Dowel 4pcs</p>	<p>M7*48mm Screw 6pcs</p>	<p>Allen Key 1pc</p>

16. Attach the Side Panels to the Frame.

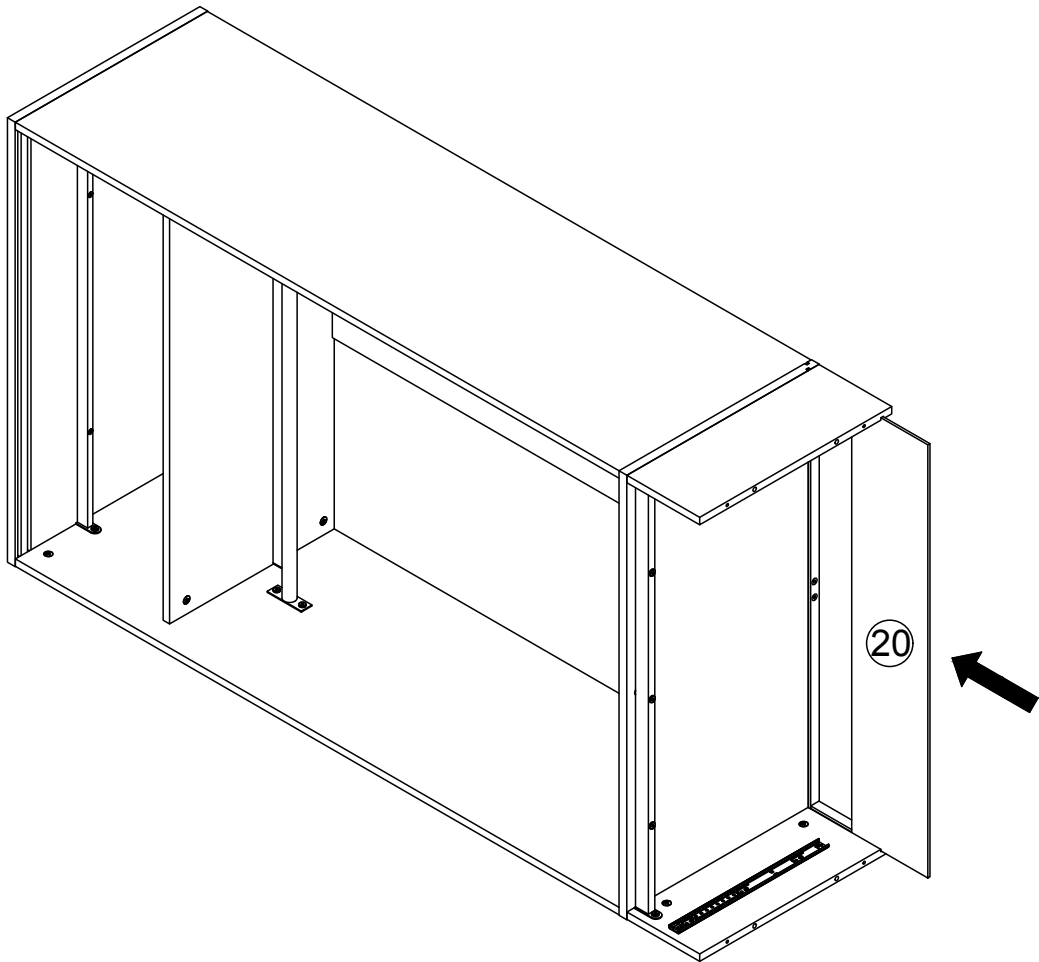


<p>E</p> 	<p>F</p> 
<p>Ø15mm Cam lock 4pcs</p>	<p>Ø7.8*30mm Dowel 4pcs</p>

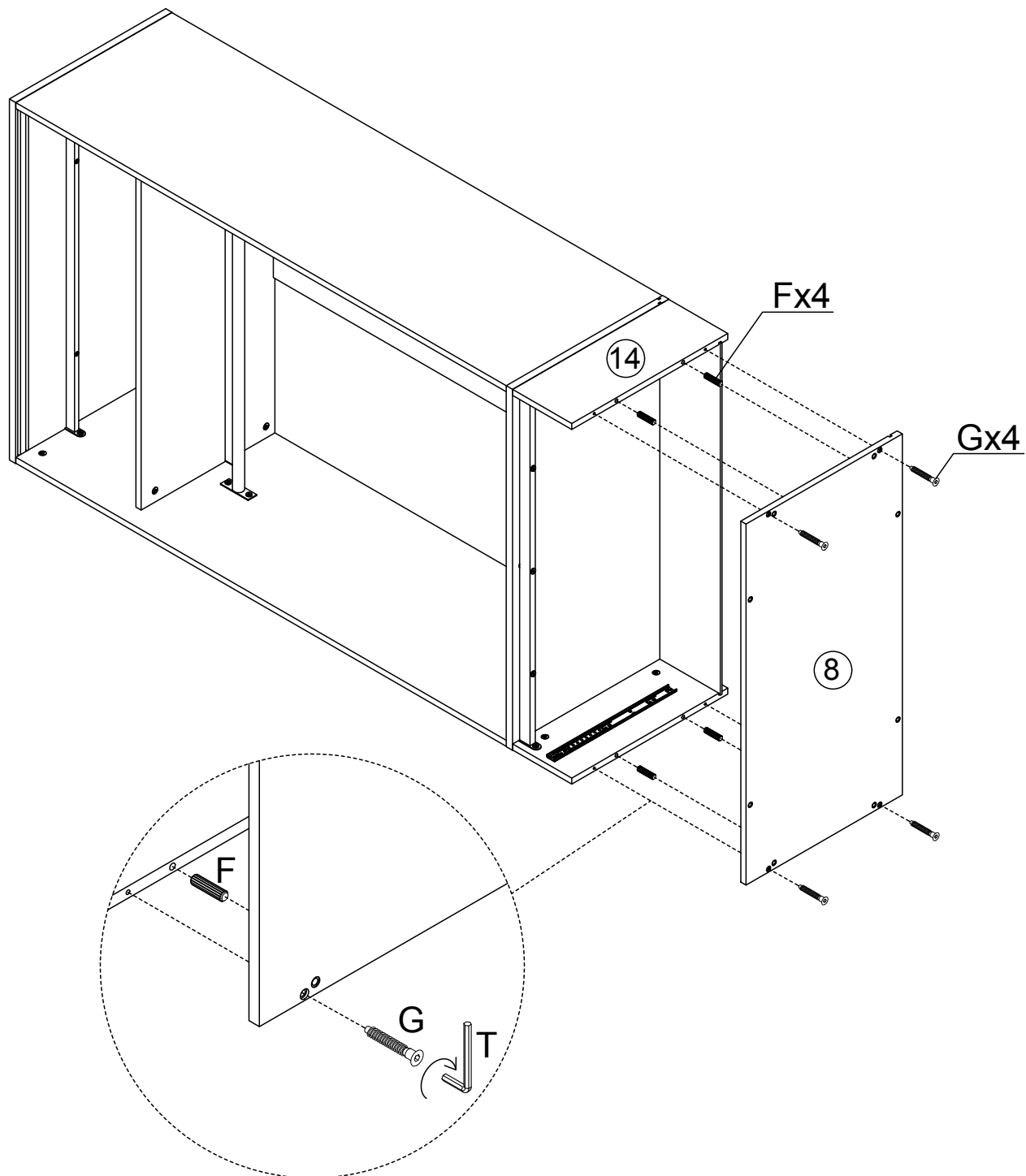
17. Attach Parts to the Frame.



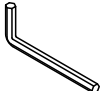


18. Assemble the Back Panel to the Frame.

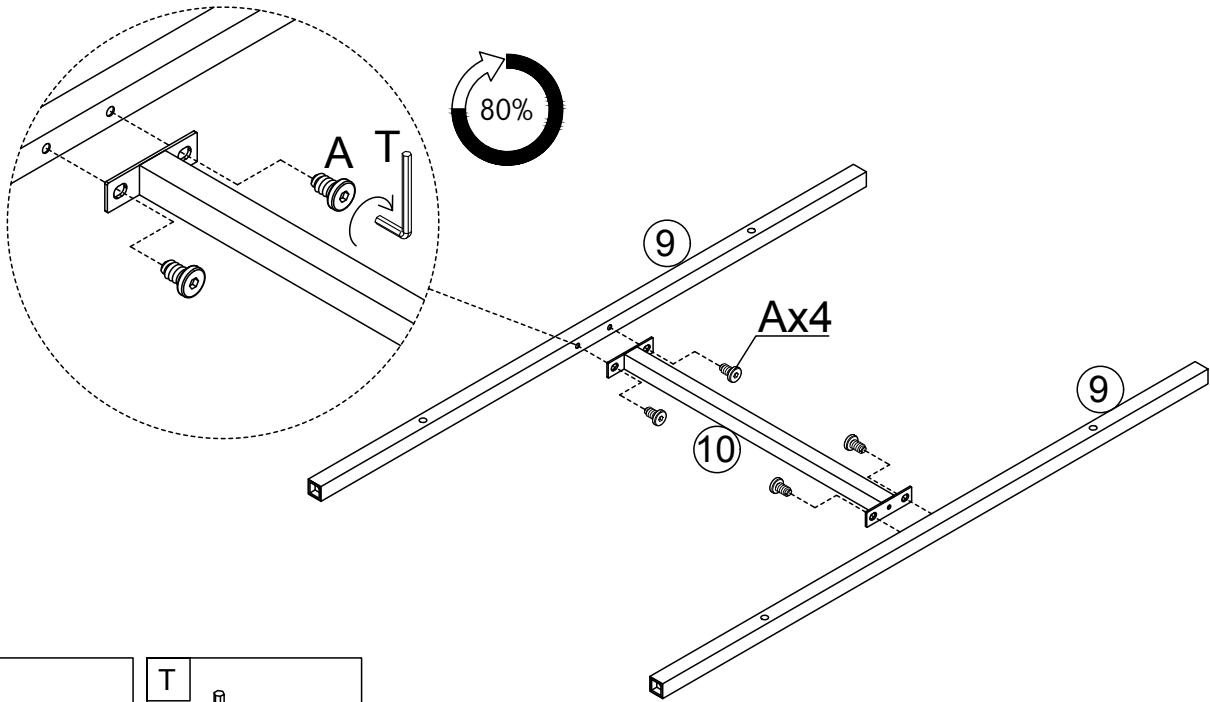



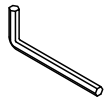
19. Attach the Bottom Panel to the Frame.



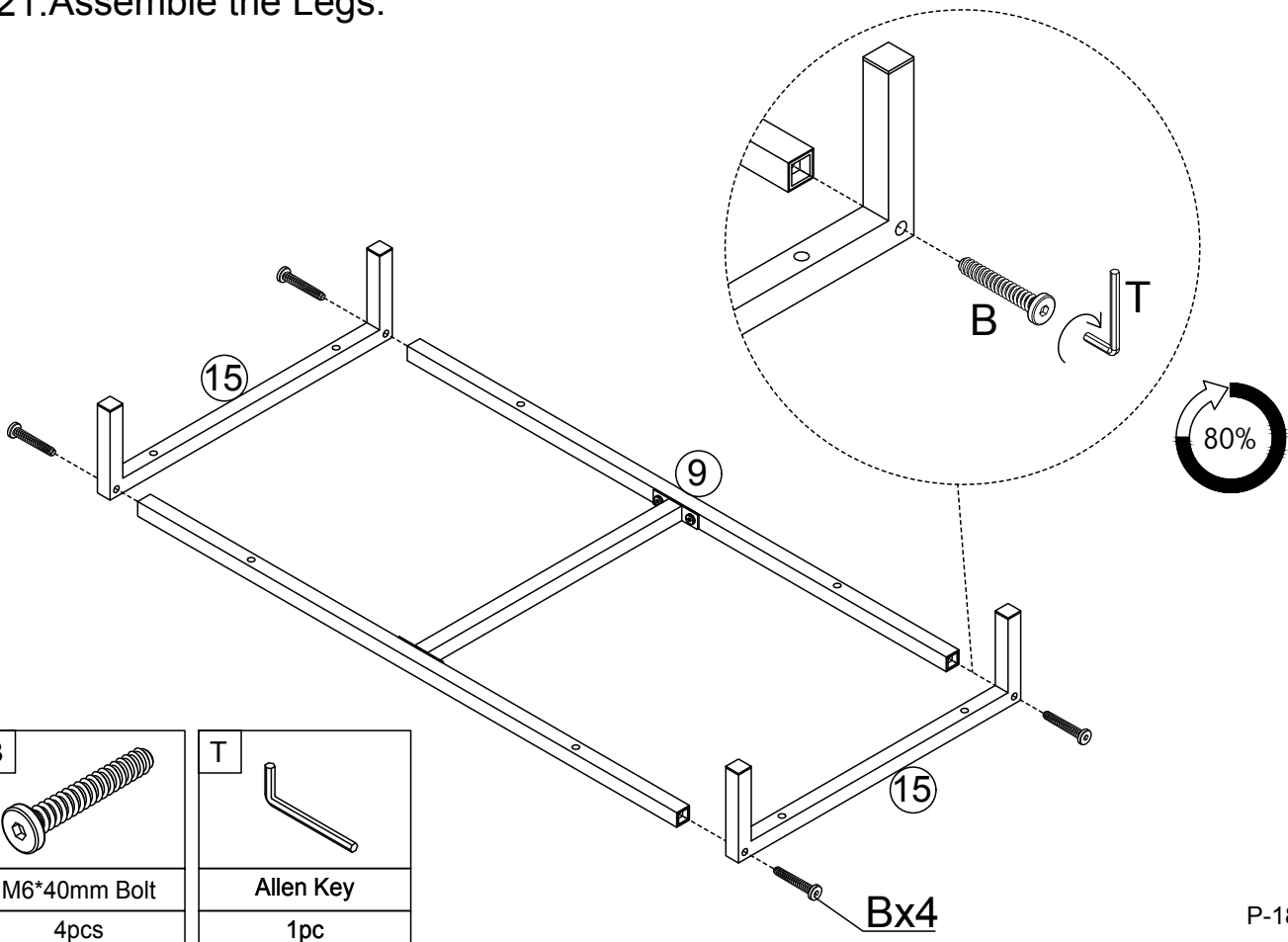
<p>F</p> 	<p>G</p> 	<p>T</p> 
<p>Ø7.8*30mm Dowel 4pcs</p>	<p>M7*48mm Screw 4pcs</p>	<p>Allen Key 1pc</p>

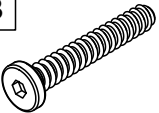
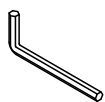
20. Assemble the Leg Supports.



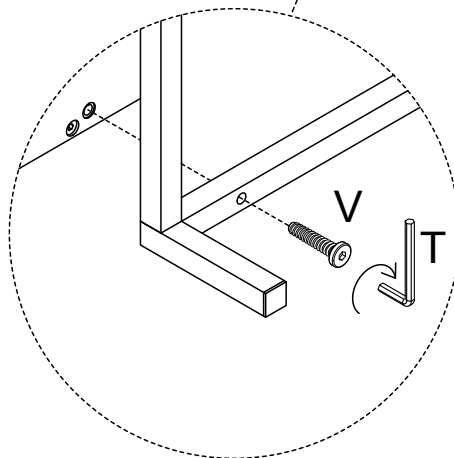
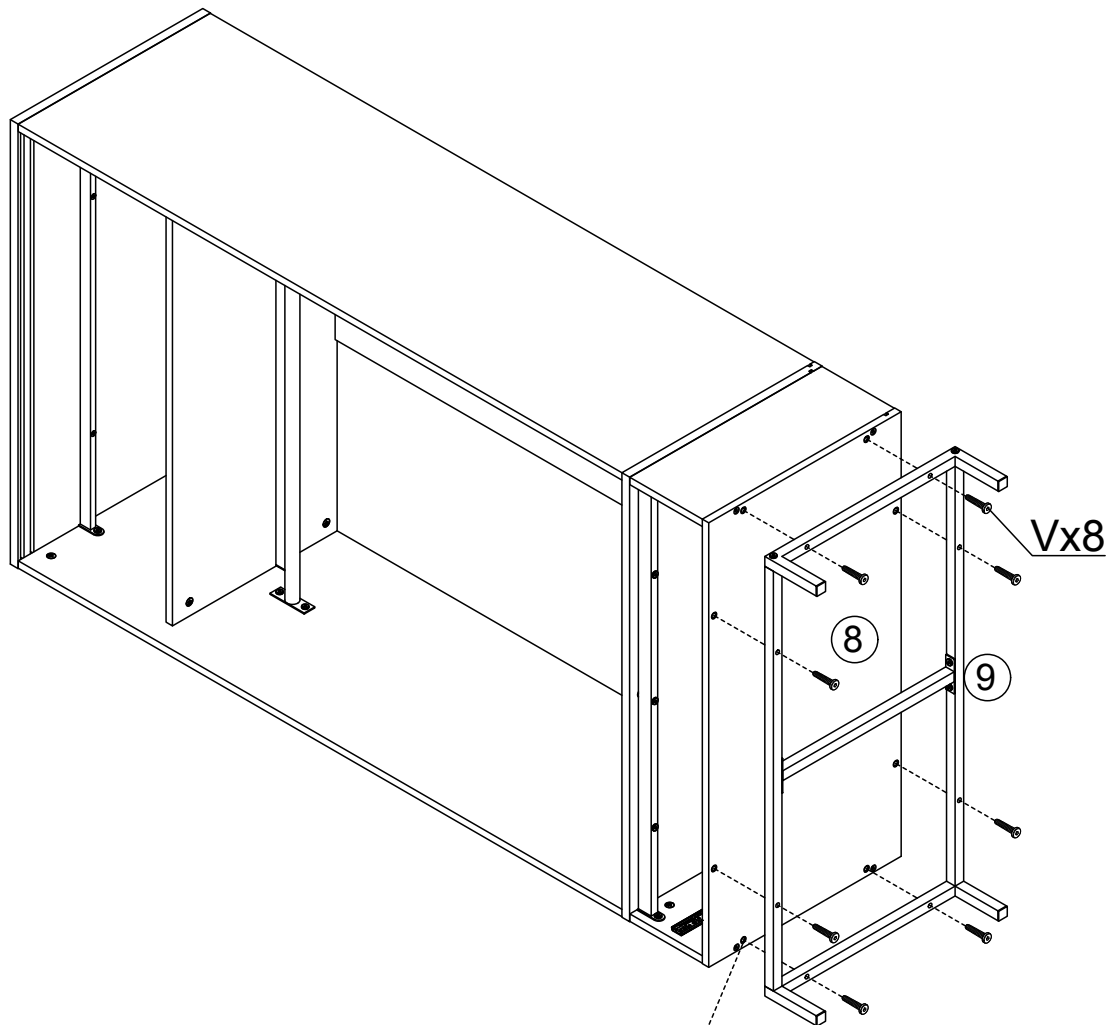
<p>A</p> 	<p>T</p> 
<p>M6*12mm Bolt</p>	<p>Allen Key</p>
<p>4pcs</p>	<p>1pc</p>

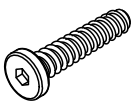
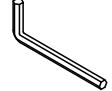
21. Assemble the Legs.



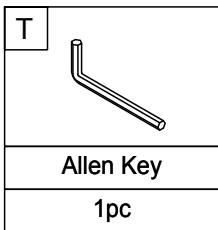
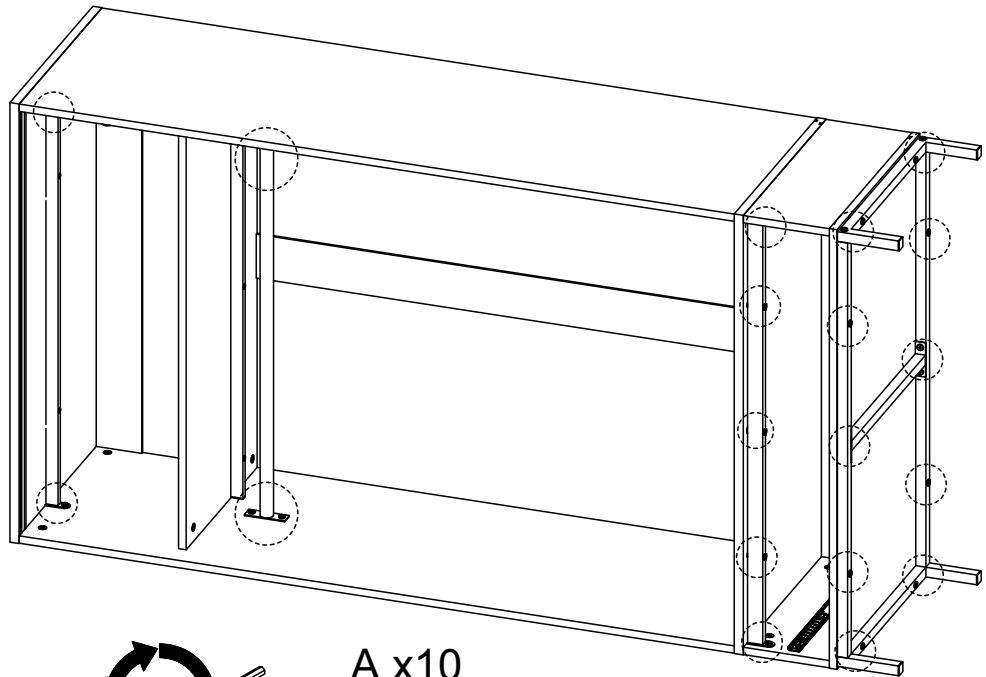
<p>B</p> 	<p>T</p> 
<p>M6*40mm Bolt</p>	<p>Allen Key</p>
<p>4pcs</p>	<p>1pc</p>

21. Attach the Legs to the Frame.



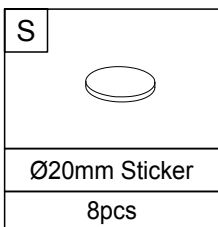
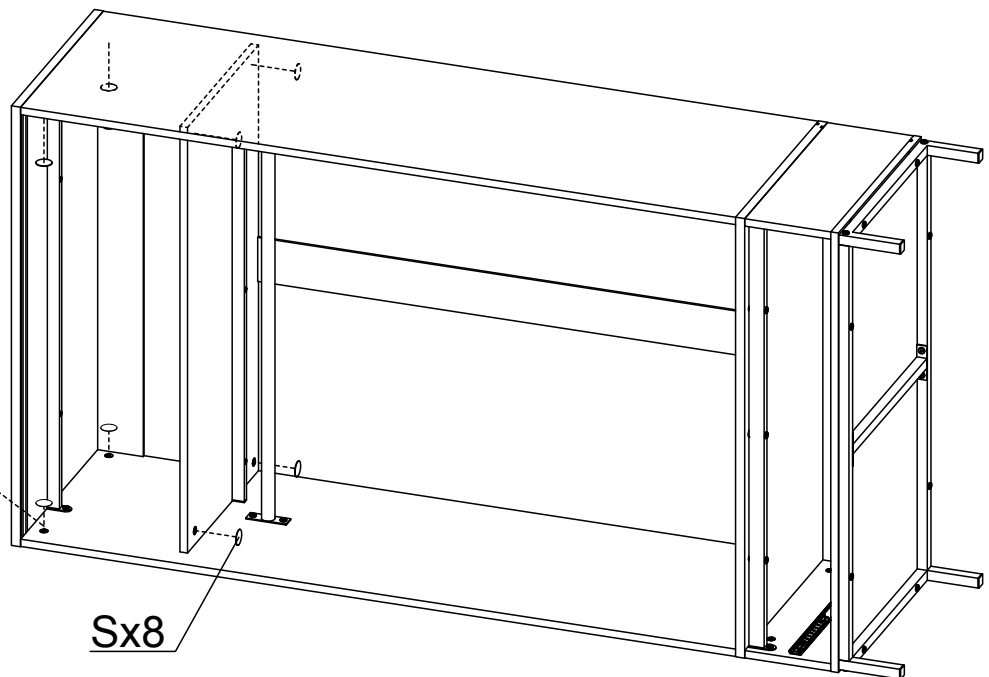
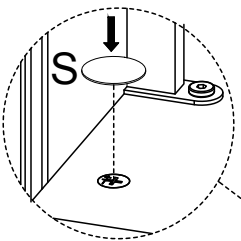
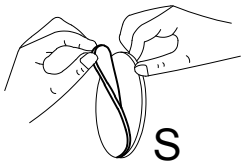
V	T
	
M6*30mm Bolt	Allen Key
8pcs	1pc

22. Tighten the Screws fully.



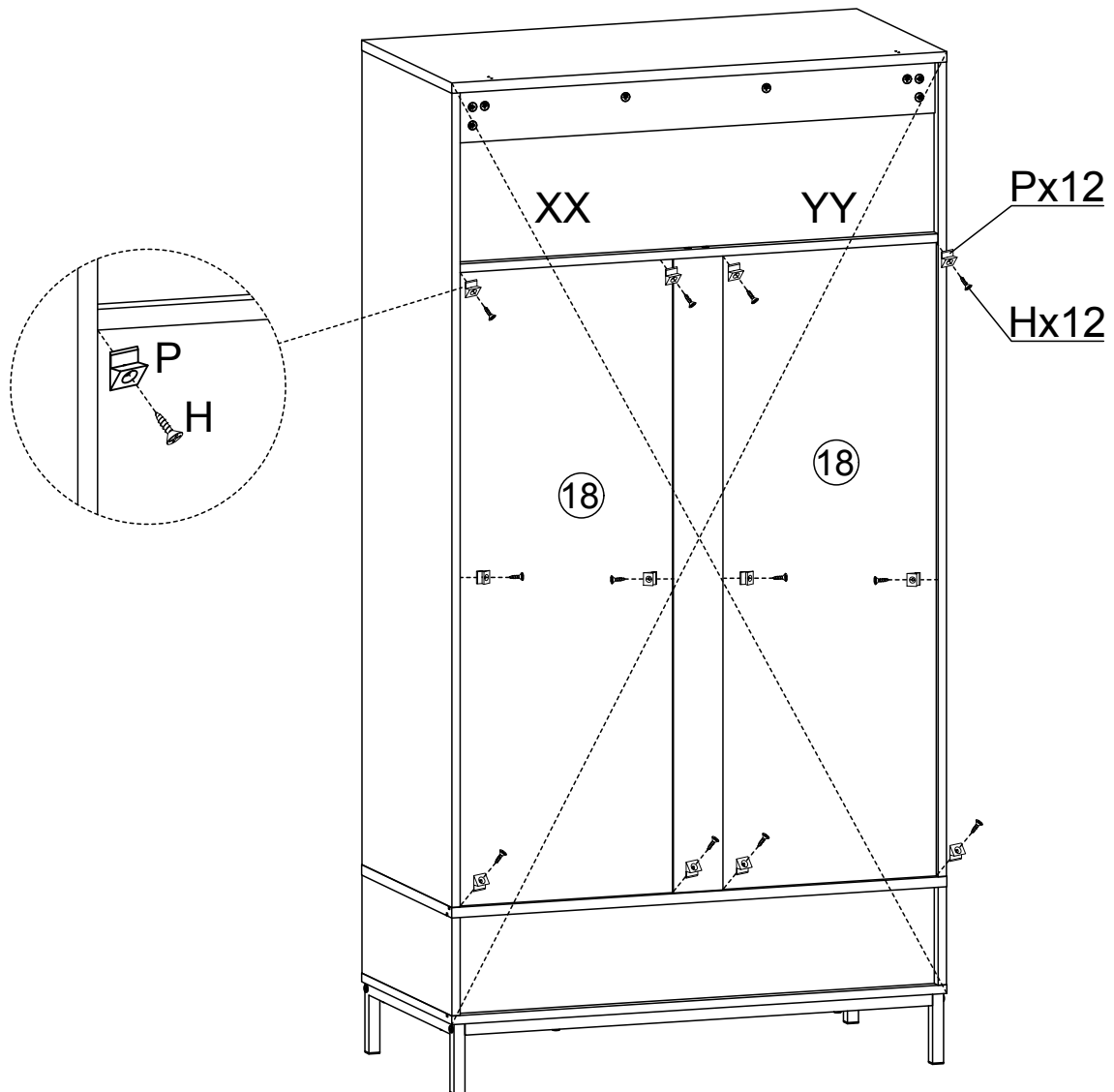
A x10
B x7
V x8

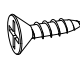
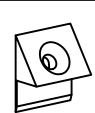
23. Attach the Stickers.



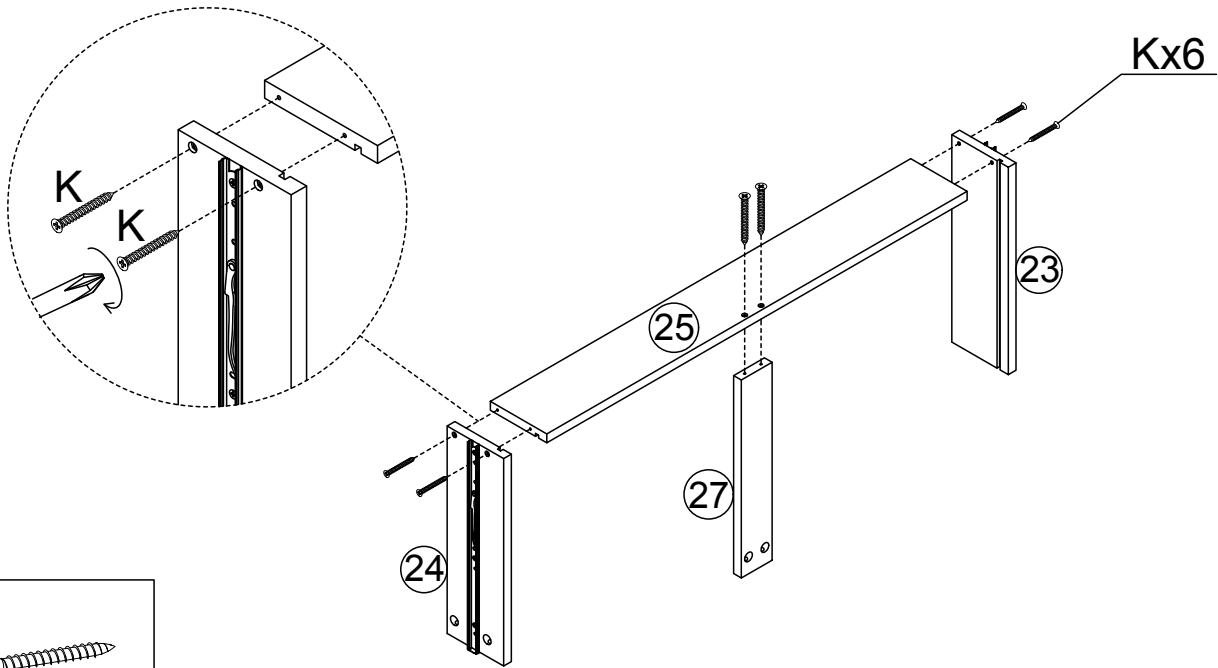
24. Make sure the Frame is even and attach the Plastic Buckles.


XX=YY



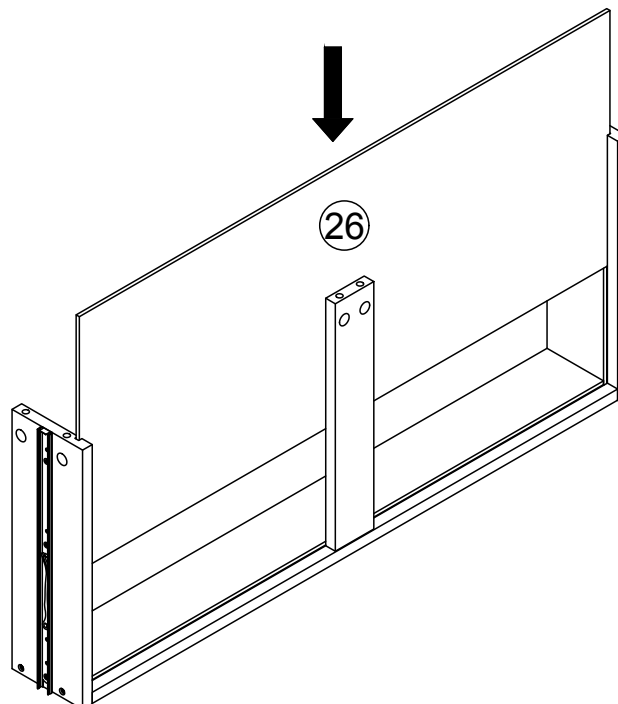
H	P
	
M3.5*14mm Screw	plastic Buckle
12pcs	12pcs

25. Attach Parts to the Drawer Panels.

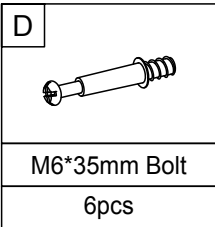
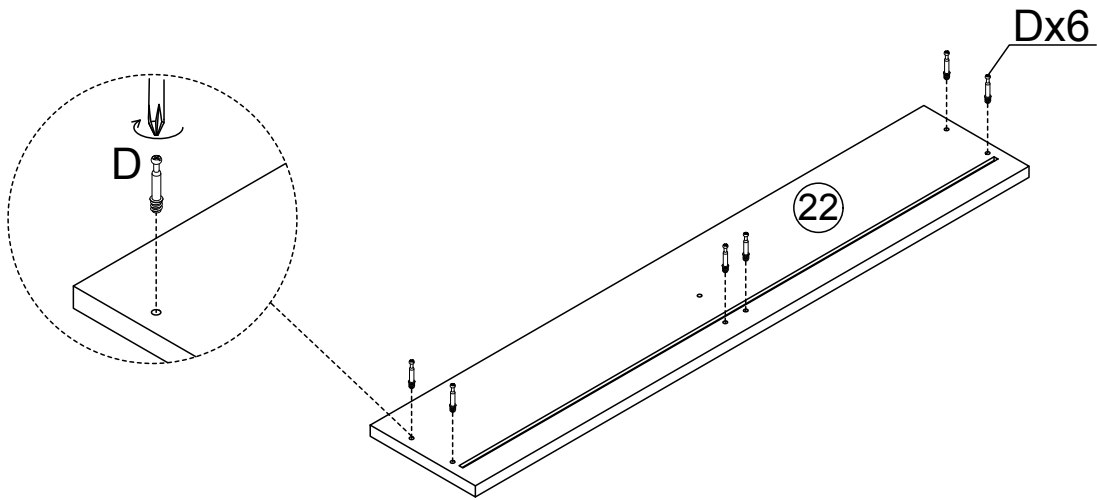


K

M4*35mm Screw
6pcs

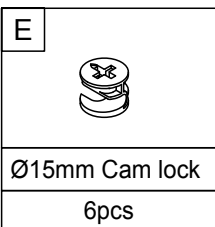
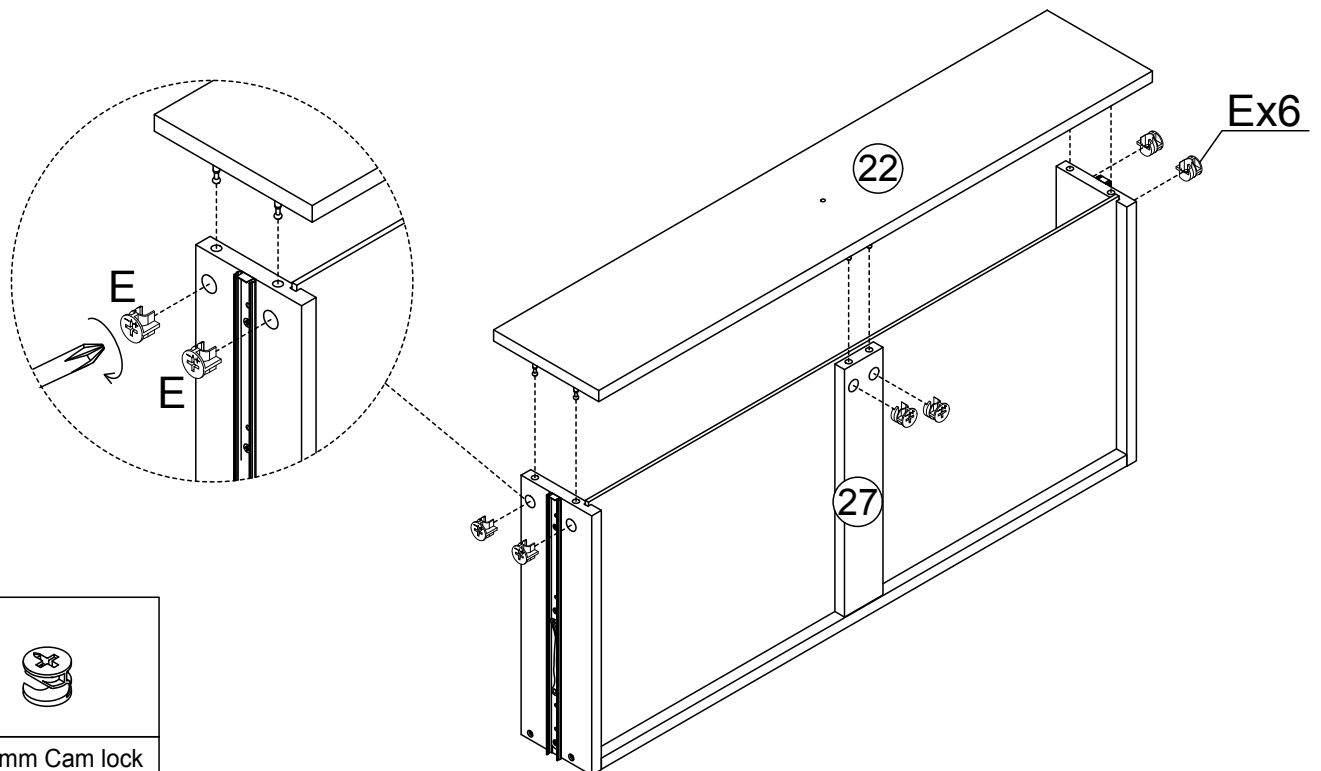
26. Assemble the Drawer Bottom Panel.



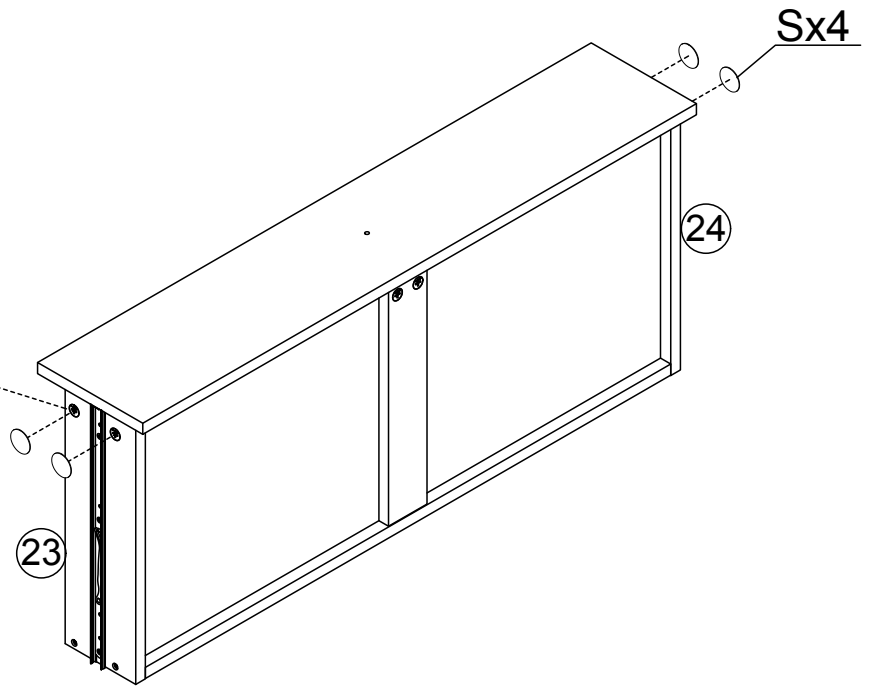
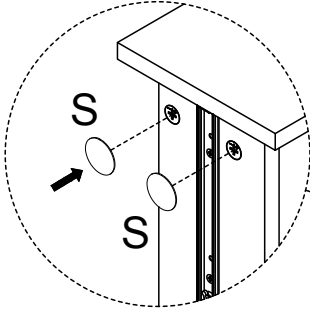
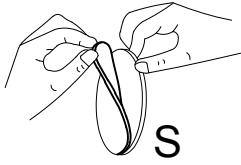
27. Attach the Bolts to the Drawer Front.



28. Assemble the Drawer.

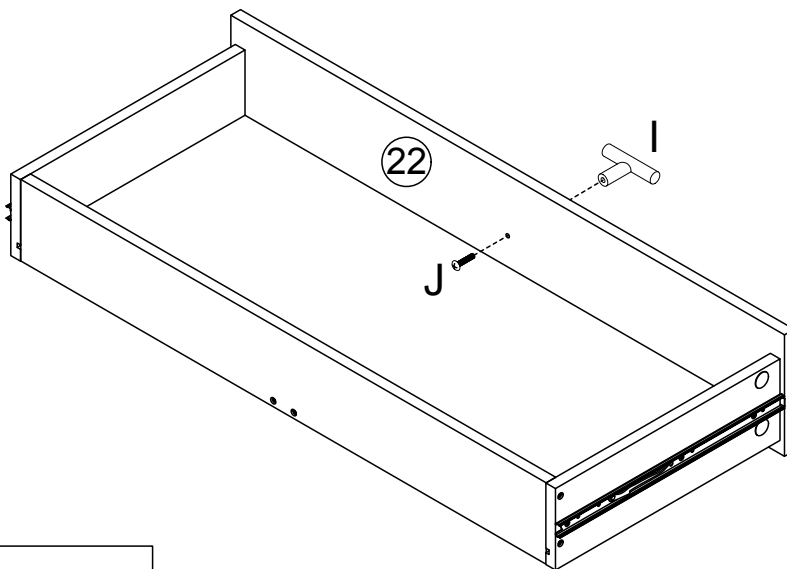


29. Attach the Stickers.



S
Ø20mm Sticker
4pcs

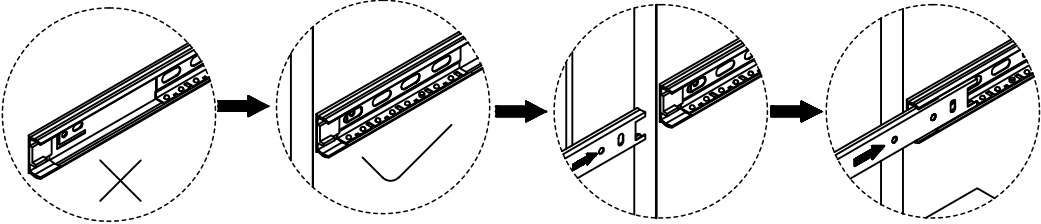
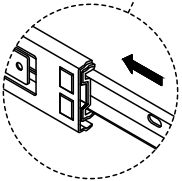
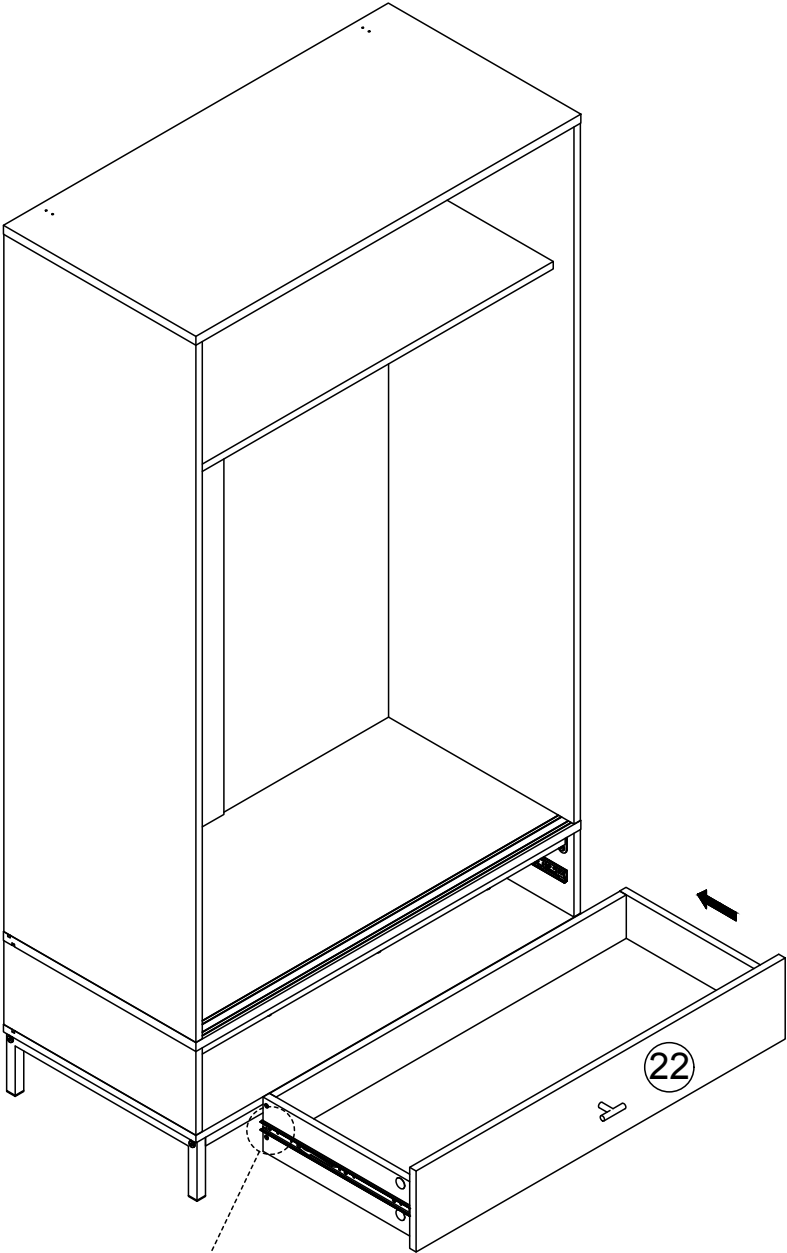
30. Assemble the Handle.



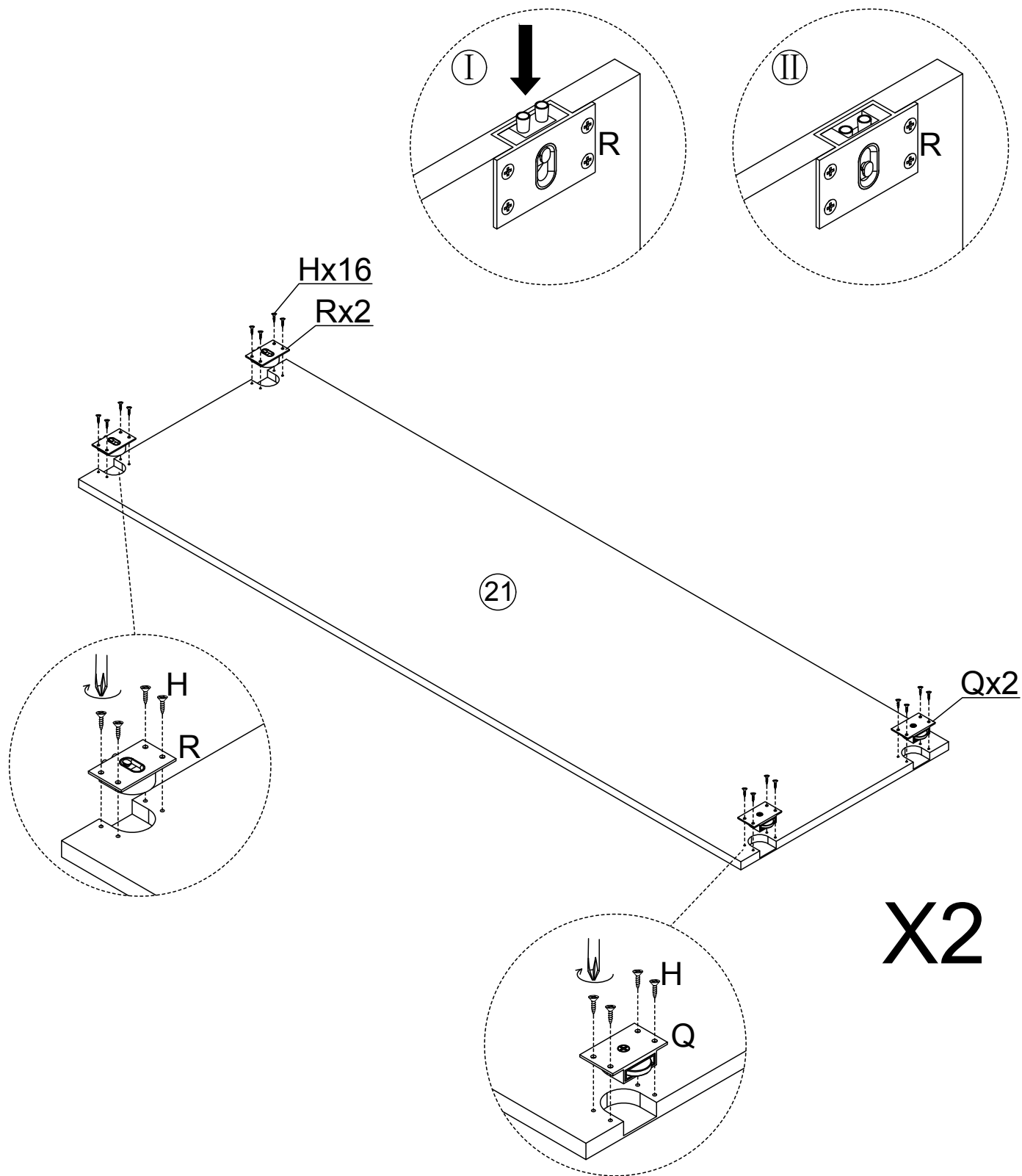
I
Handle
1pc


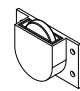
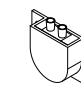
J
M4*20mm Bolt
1pc

31. Assemble the Drawer to the Frame.

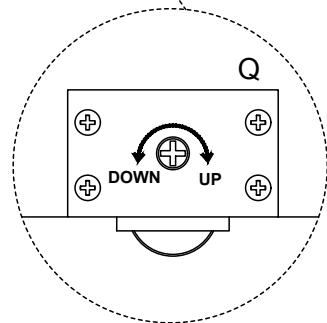
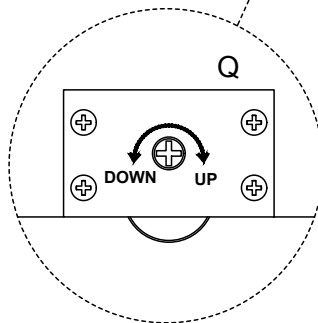
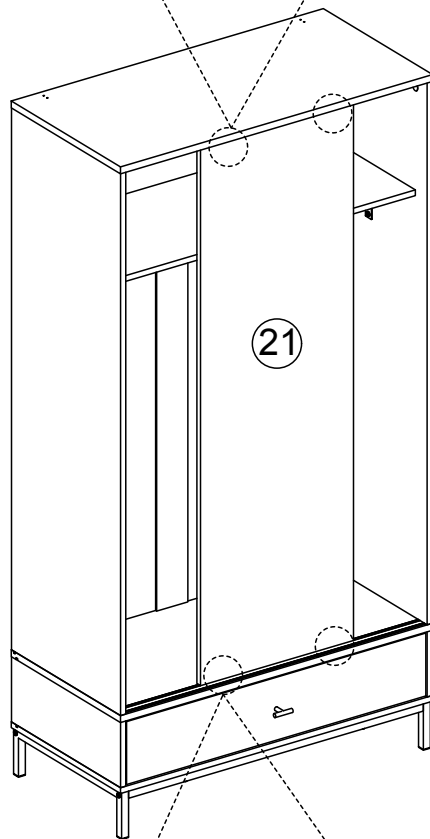
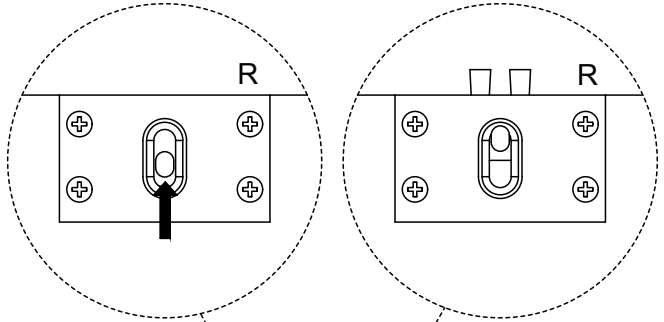
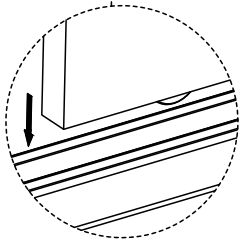
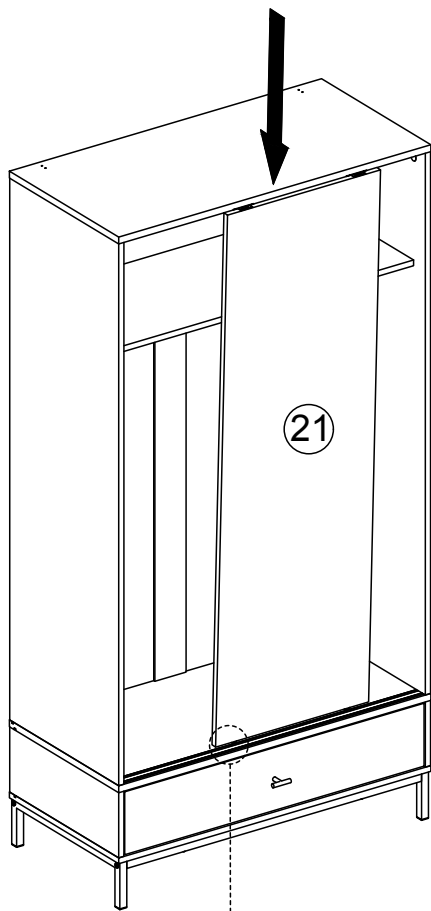


32. Attach Parts to the Sliding Door.

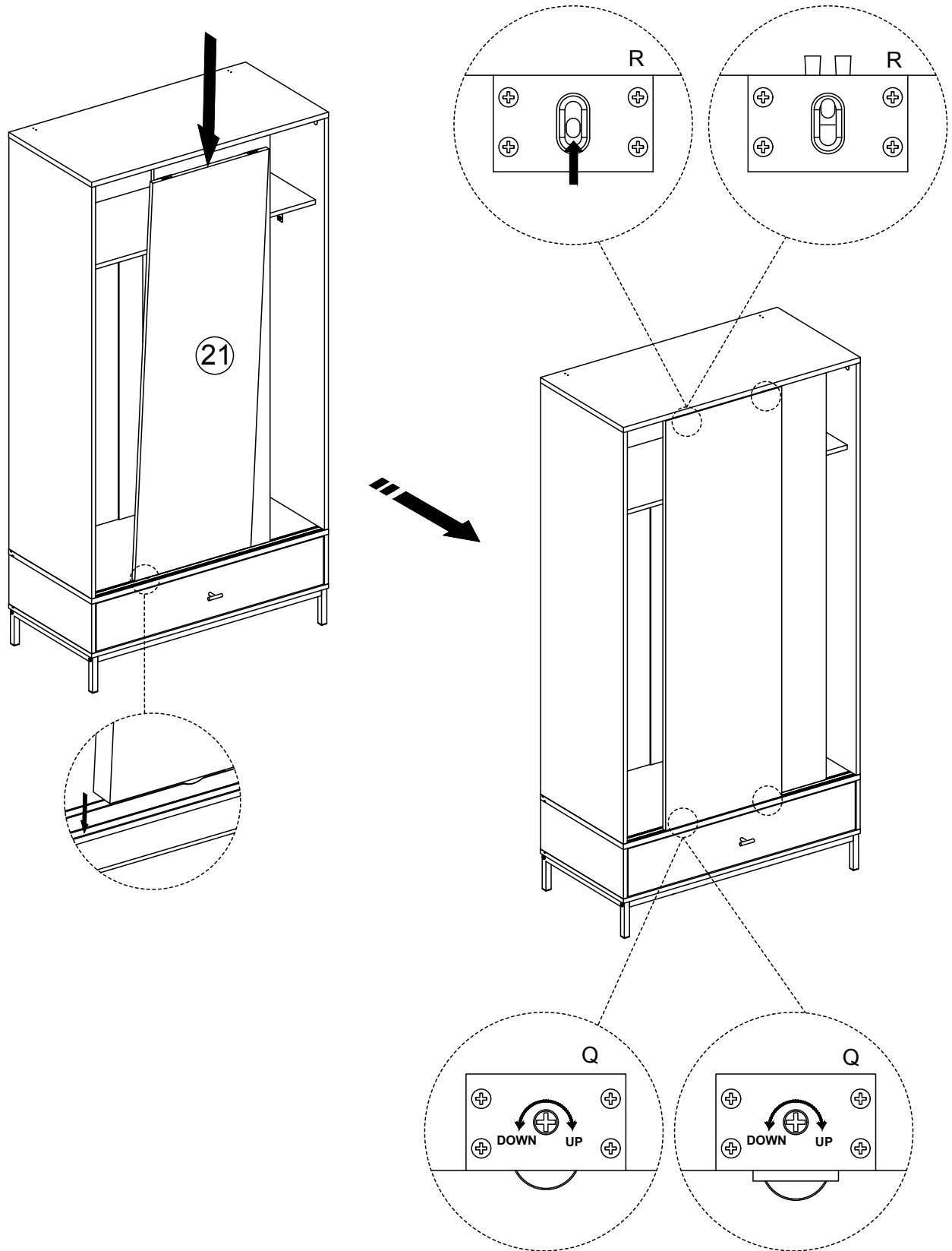


<p>H</p> 	<p>Q</p> 	<p>R</p> 
<p>M3.5*14mm Screw 32pcs</p>	<p>Down Pulley 4pcs</p>	<p>Up Pulley 4pcs</p>

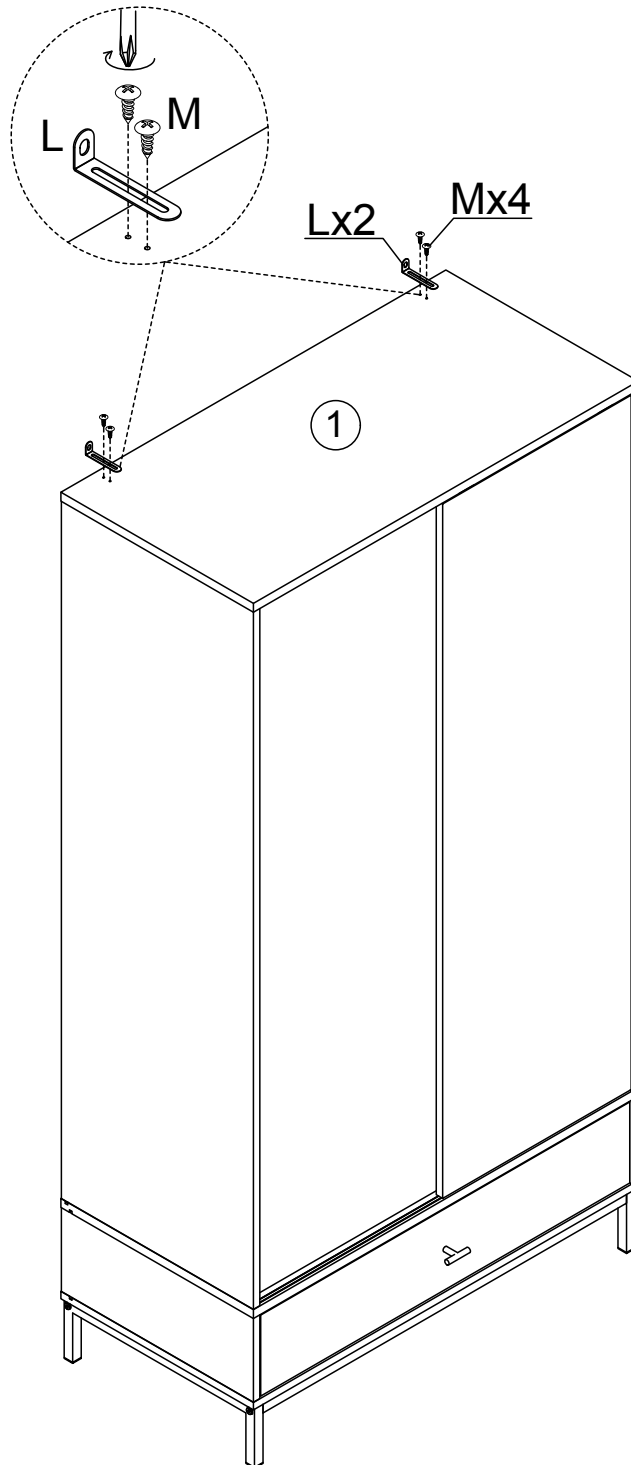
33. Assemble the Sliding Door.

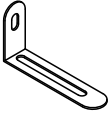



34. Assemble the Sliding Door.

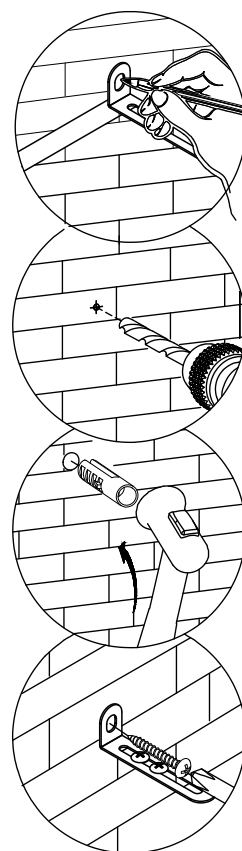
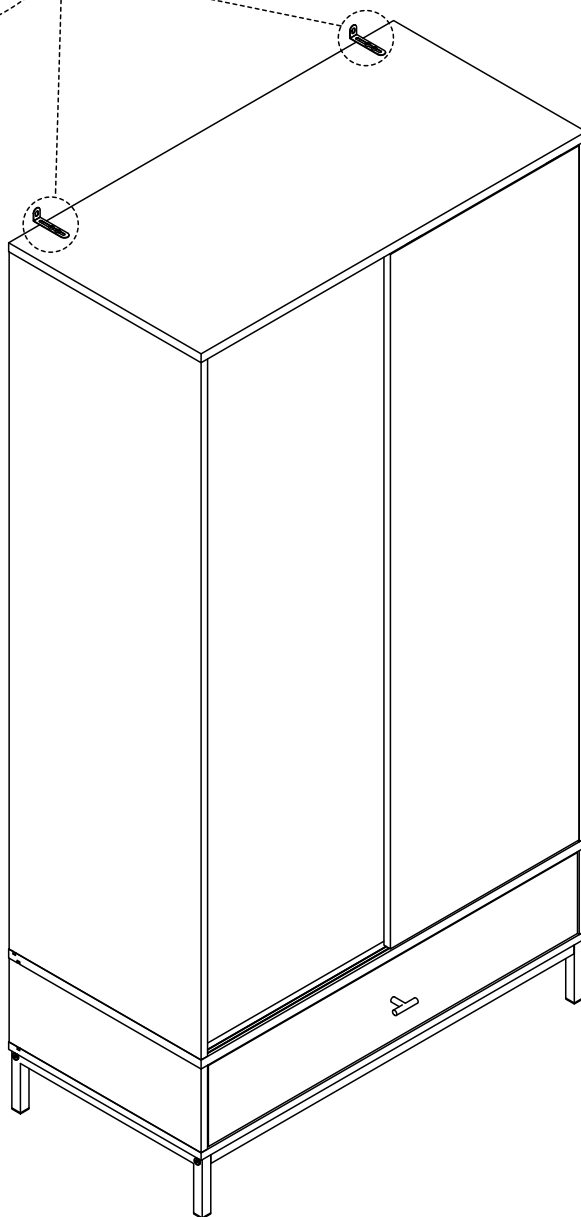
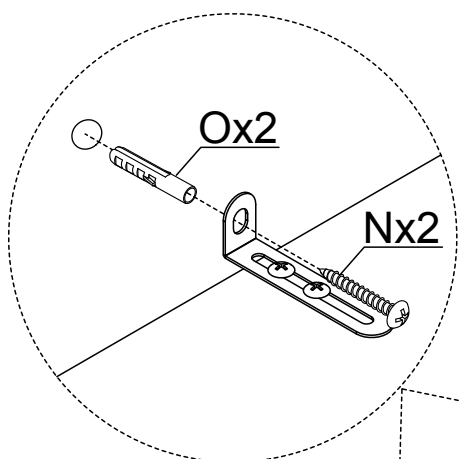



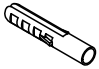
35. Attach the Wall Brackets to the Top.



L	M
	
Wall Bracket	M4*14mm Screw
2pcs	4pcs

36. Fix the Wall Brackets to the Wall.



N 	O 
M4*35mm Screw 2pcs	Ø6*30mm Wall Plug 2pcs