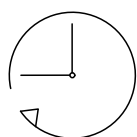
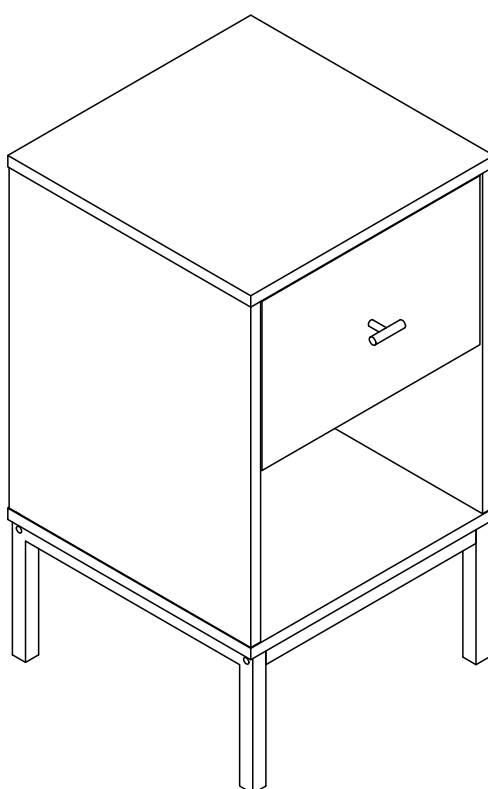
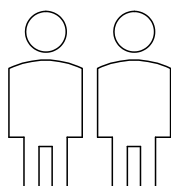


Willow Nightstand



Up to 30 minutes
assembly time



Two person
assembly

This product is intended for domestic use only, not for commercial purposes.

IMPORTANT

ASSEMBLY TIP

Before you begin, it's best to identify all of the parts and fittings to build your nightstand frame. We advise laying these out on the floor to check you have everything, and to familiarise yourself with all of the parts and fittings before building.

TOP TIP

We recommend that you assemble the nightstand in the room you'd like it to be located. This will help prevent any risk of damage to the frame whilst moving it.

SAFETY AND CARE

It's important to ensure children and animals are kept away from the assembly area, as there are small components used in this product which could present a choking hazard. All plastic and wrapping materials should also be kept away from children and animals to prevent any risk of suffocation.

HELP AND SUPPORT

Please contact our customer service team on 0113 519 0311 if you have any questions or issues with your purchase.

RECYCLING

Please ensure that packaging is disposed of in a safe and environmentally friendly way, and recycle where possible. Please keep your assembly instructions safe to refer back to in the future.

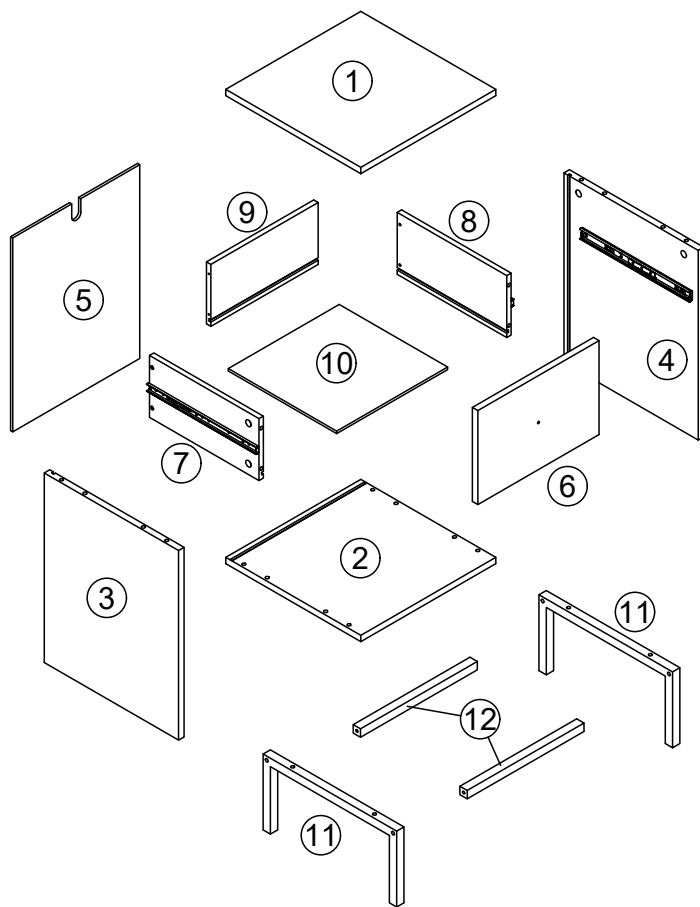
CARE AND MAINTENANCE:

1. Only clean using a damp cloth, do not use bleach or abrasive cleaners as they may damage the finish over time.
2. Do not use a very wet cloth or allow any liquid to contact with the veneer for a long period of time. Wipe any spillage immediately. Absorption can cause wood to warp or finishes to de-laminate.
3. Do not scrub or rub the surface when cleaning.
4. Do not drag the nightstand when moving, lift it off the floor instead.
5. Use a placemat or a coaster when putting hot items (e.g. hot drinks and dishes) on the wood surface.
6. It is not recommended to place the item next to sources of heat such as radiators, fires or directly exposed to sunlight. This may cause the wood to crack, split or fade due to the heat and humidity.
7. Wood will mellow and change colour over time, we recommend that ornaments and items placed on the surface to be moved regularly to prevent uneven mellowing.
8. Regularly check all fixings to ensure none have come loose. Re-tighten if necessary.
9. Avoid sharp items such as a screwdriver or any pointy tools.
10. Dispose of all packaging carefully and responsibly - recycle where possible.

Parts list



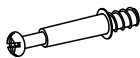





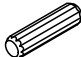
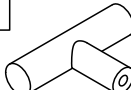


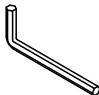



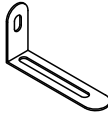

Before you begin building your Willow Nightstand, please take a moment to read through the instructions and make sure that you have all the relevant parts listed on the parts check list.

Part Number	Part Description	Quantity
①	Top	1 pc
②	Bottom Panel	1 pc
③	Left Side Panel	1 pc
④	Right Side Panel	1 pc
⑤	Back Panel	1 pc
⑥	Drawer Front	1 pc
⑦	Drawer Left Side	1 pc
⑧	Drawer Right Side	1 pc
⑨	Drawer Back Side	1 pc
⑩	Drawer Bottom	1 pc
⑪	Leg	2 pcs
⑫	Leg Side Support	2 pcs

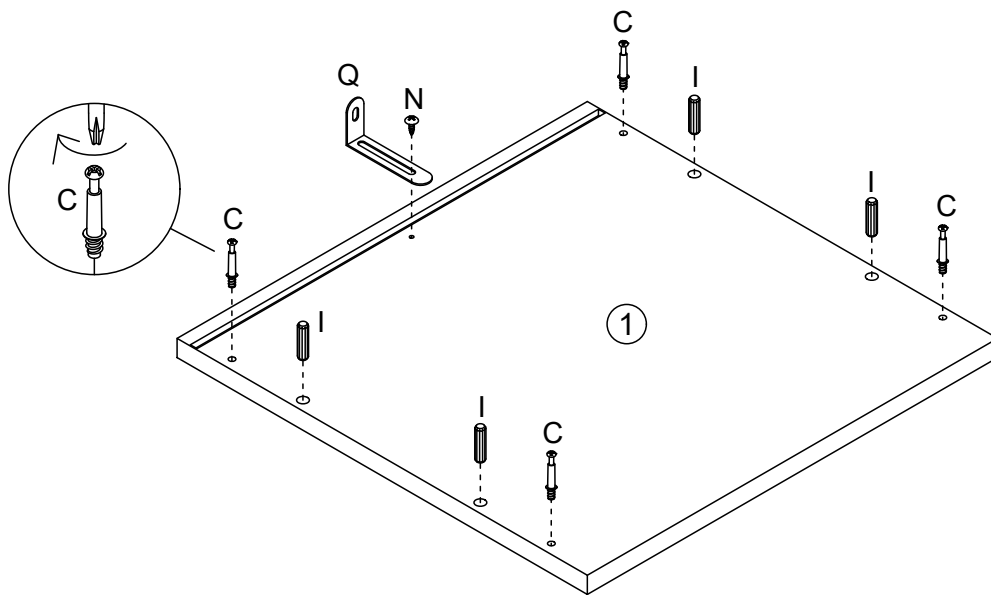


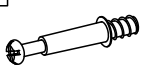
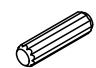

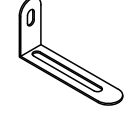
Fittings

Please check you have all the fittings listed below with your product.

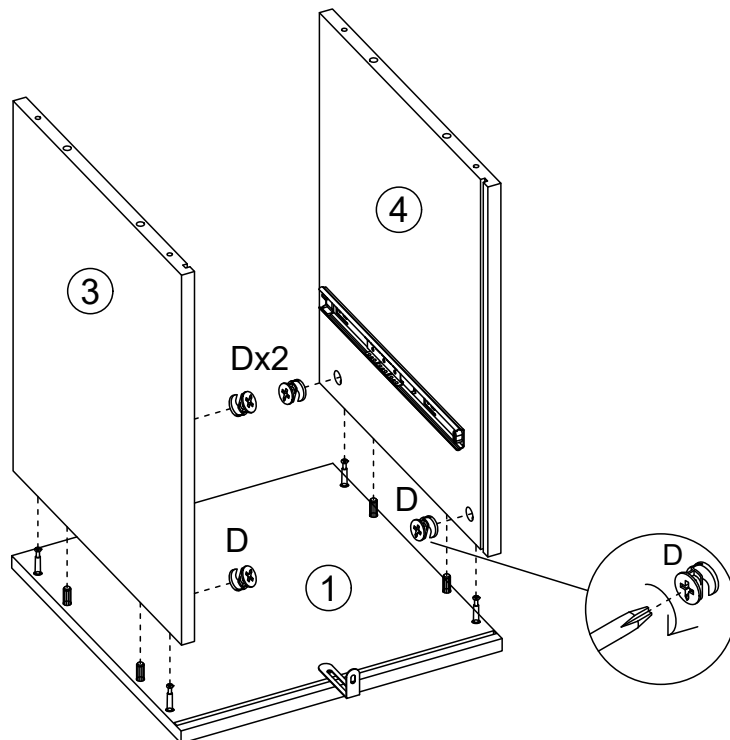
A 	B 	C 	D 	E 	F 
M6*30mm Bolt 4pcs	M6*40mm Bolt 4pcs	M6*35mm Bolt 8pcs+1pc extra	Ø15*12mm Cam Lock 4pcs	Ø15*10mm Cam Lock 4pcs	M3.5*14mm Screw 4pcs
G 	H 	I 	J 	K 	L 
M4*35mm Screw 4pcs	M7*48mm Screw 4pcs	Ø8*30mm Dowel 8pcs+1pc extra	Handle 1pc	M4*20mm Bolt 1pc	Plastic Buckle 4pcs
M 	N 	O 	P 	Q 	R 
Allen Key 1pc	M4*14mm Screw 1pc	M4*35mm Screw 1pc	Ø6*30mm Wall Plug 1pc	Wall Bracket 1pc	Ø20mm Sticker 4pcs


1. Attach parts to the Top.



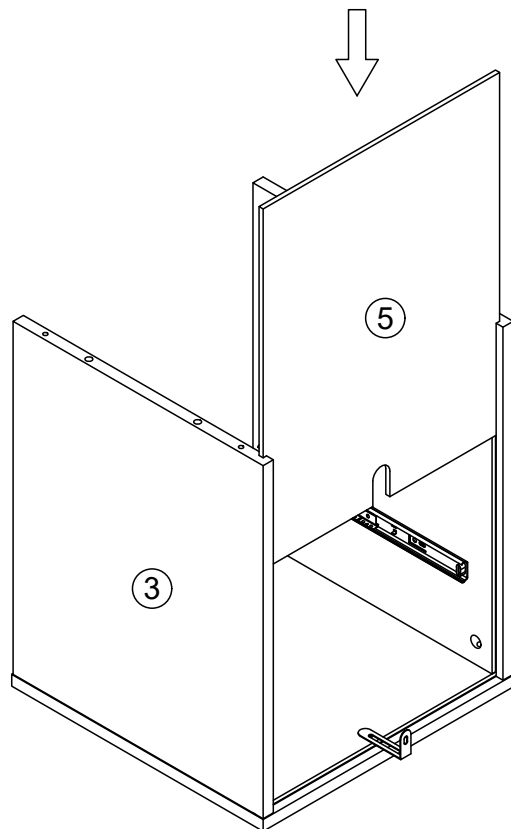
<p>C</p> 	<p>I</p> 	<p>N</p> 	<p>Q</p> 
<p>M6*35mm Bolt</p> <p>4pcs</p>	<p>Ø8*30mm Dowel</p> <p>4pcs</p>	<p>M4*14mm Screw</p> <p>1pc</p>	<p>Wall Bracket</p> <p>1pc</p>

2. Attach the Top to the Side Panels.

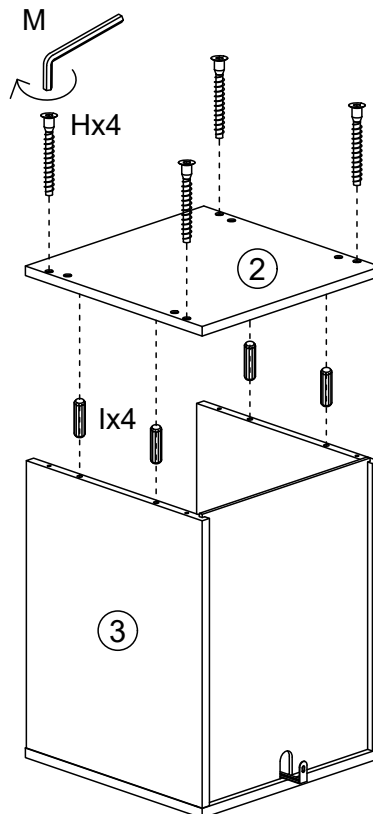


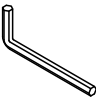
<p>D</p> 
<p>Ø15*12mm Cam Lock</p> <p>4pcs</p>


3. Slide the Back Panel into the Frame.

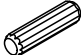


4. Attach the Bottom Panel onto the Frame.

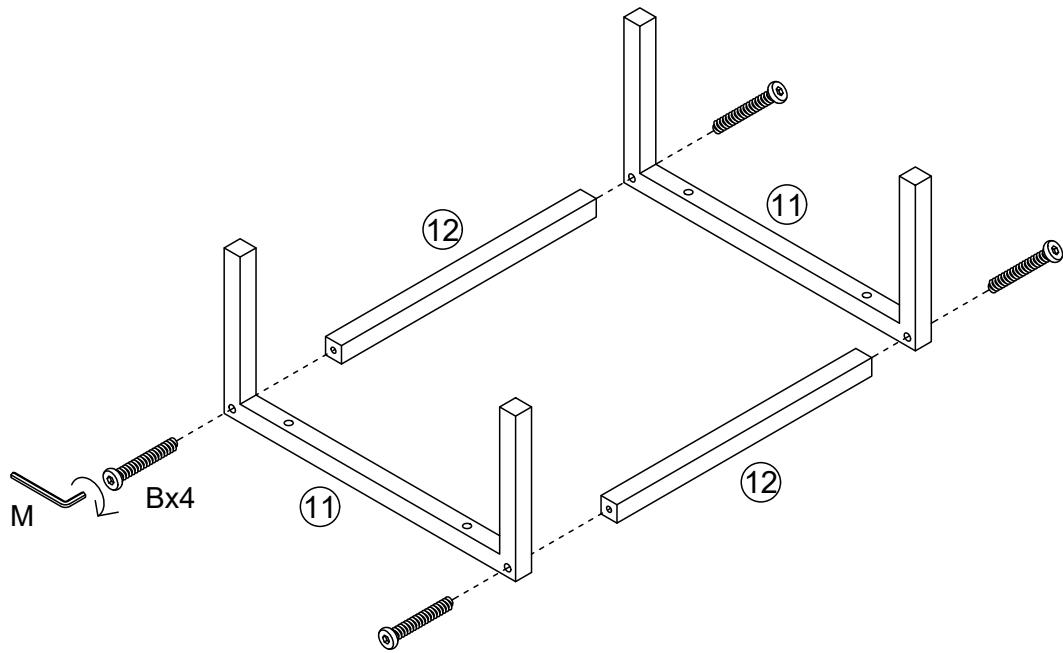



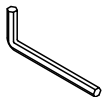
M	
Allen Key	
1pc	

H	
M7*48mm Screw	
4pcs	

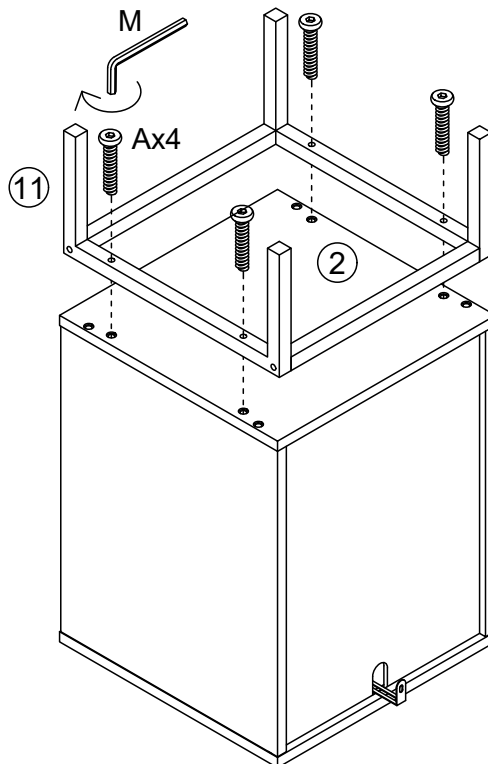
I	
Ø8*30mm Dowel	
4pcs	


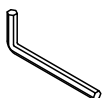
5. Attach the Legs to the Leg Supports.



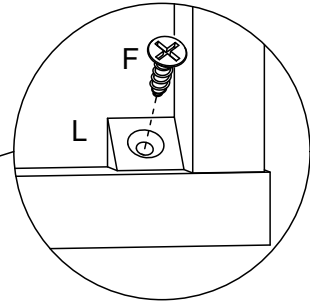
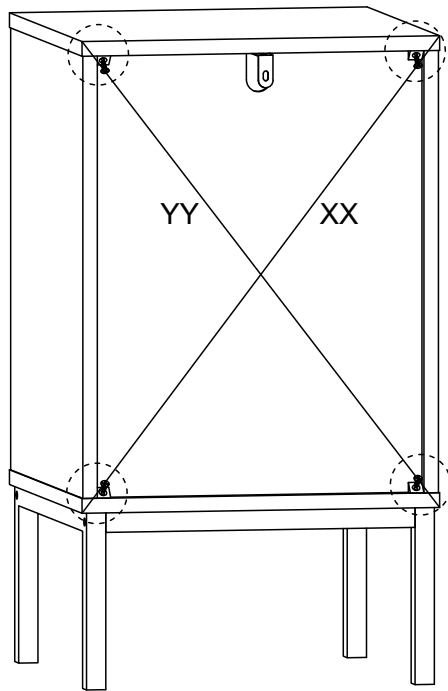
<p>B</p> 	<p>M</p> 
<p>M6*40mm Bolt</p>	<p>Allen Key</p>
<p>4pcs</p>	<p>1pc</p>

6. Attach the Legs to the Frame.



<p>A</p> 	<p>M</p> 
<p>M6*30mm Bolt</p>	<p>Allen Key</p>
<p>4pcs</p>	<p>1pc</p>

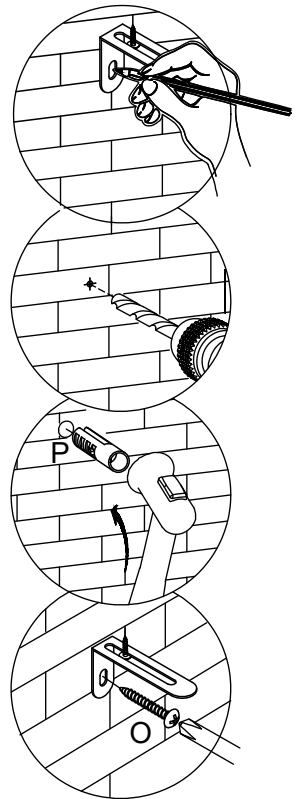
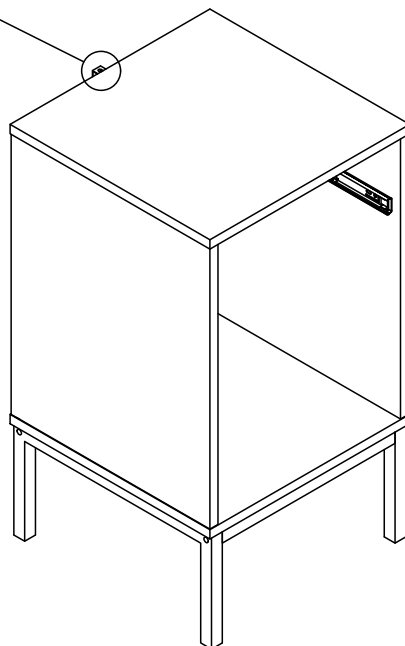
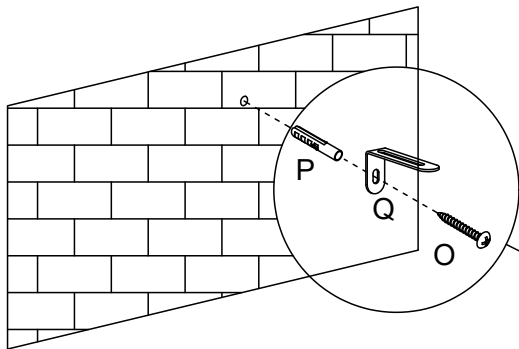
7. Attach the Plastic Buckles.



x4

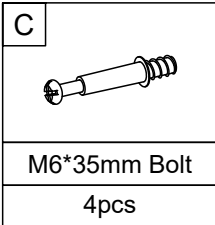
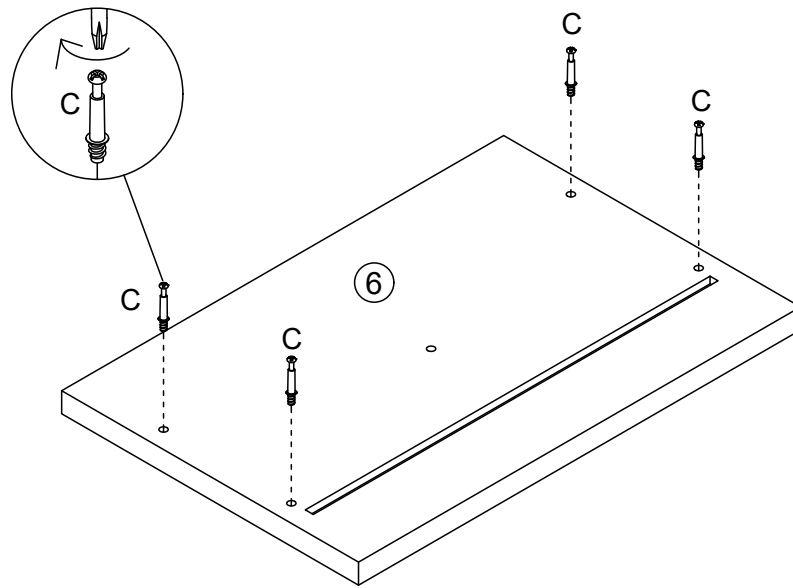
L	
Plastic Buckle	
4pcs	
F	
M3.5*14mm Screw	
4pcs	

8. Fix the Wall Bracket to the wall.

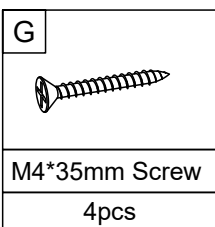
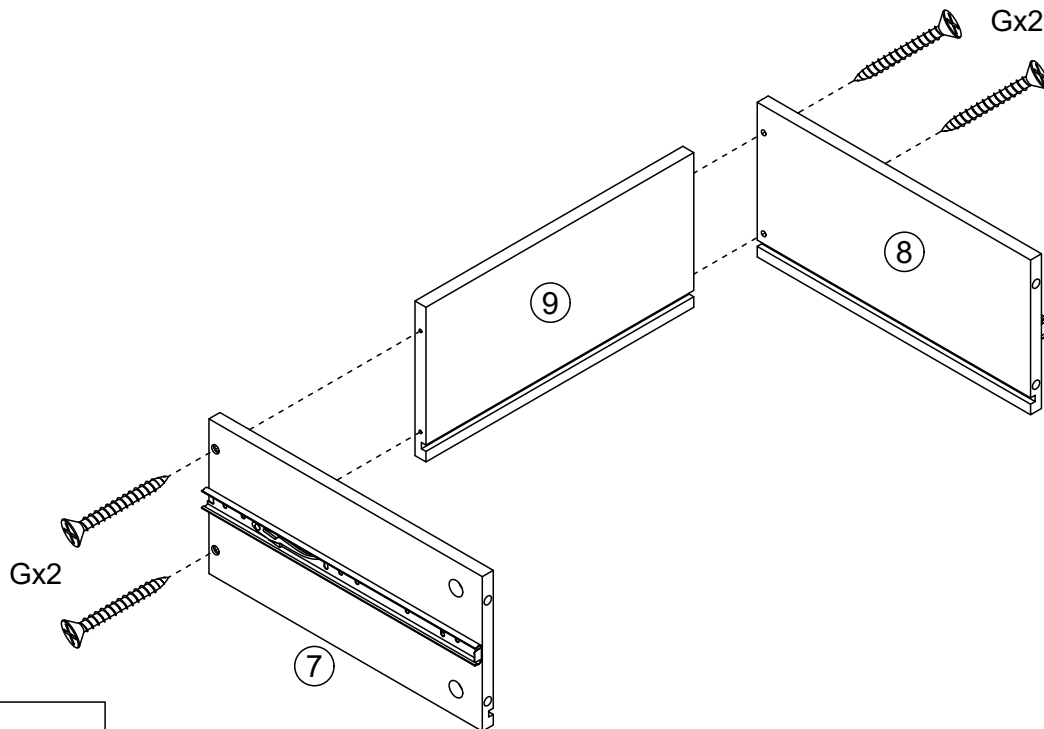


O	
M4*35mm Screw	
1pc	
P	
Ø6*30mm Wall Plug	
1pc	

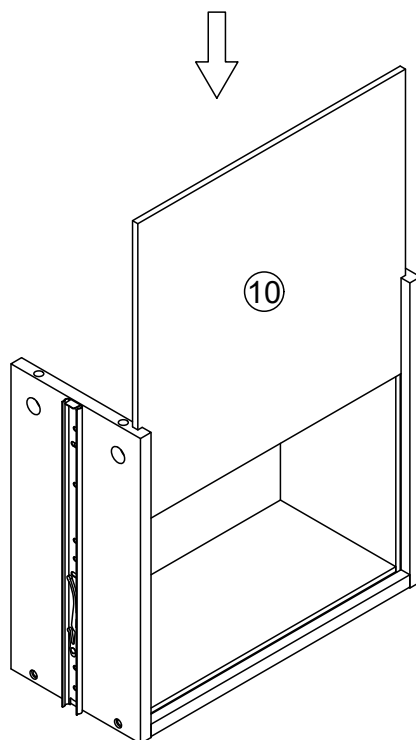
9. Attach the Bolts to the Drawer Front.



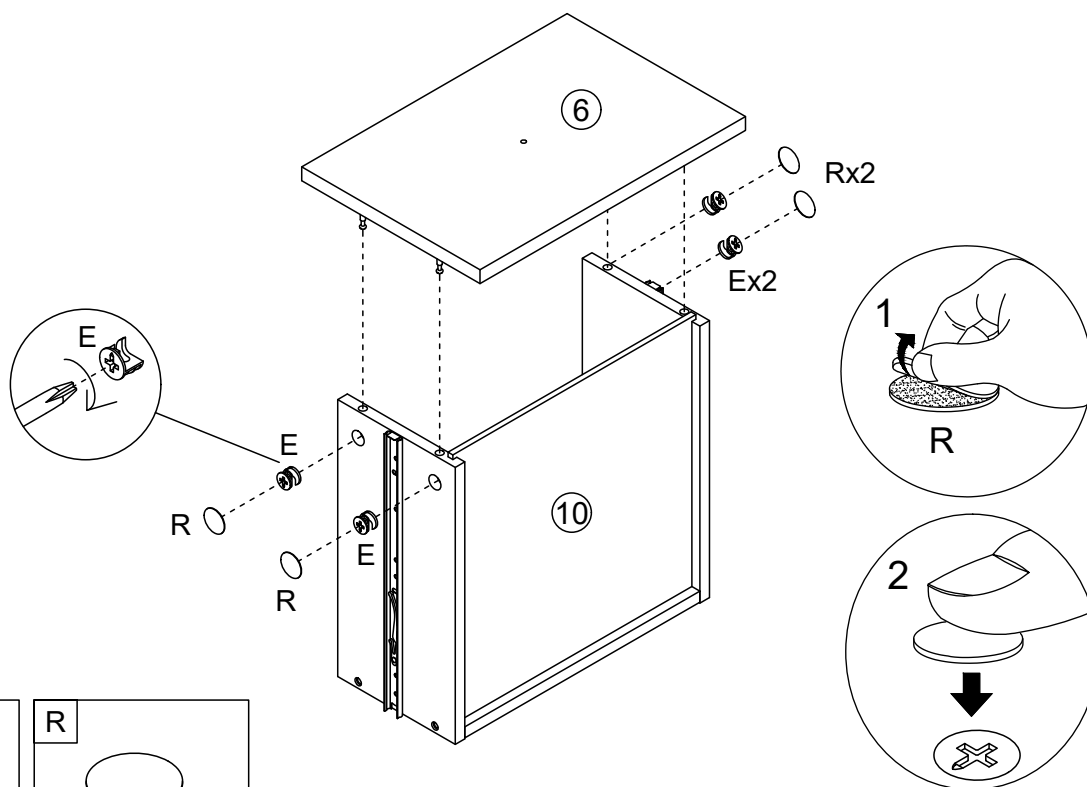
10. Assemble the Drawer.





11. Slide the Drawer Bottom into the Drawer.



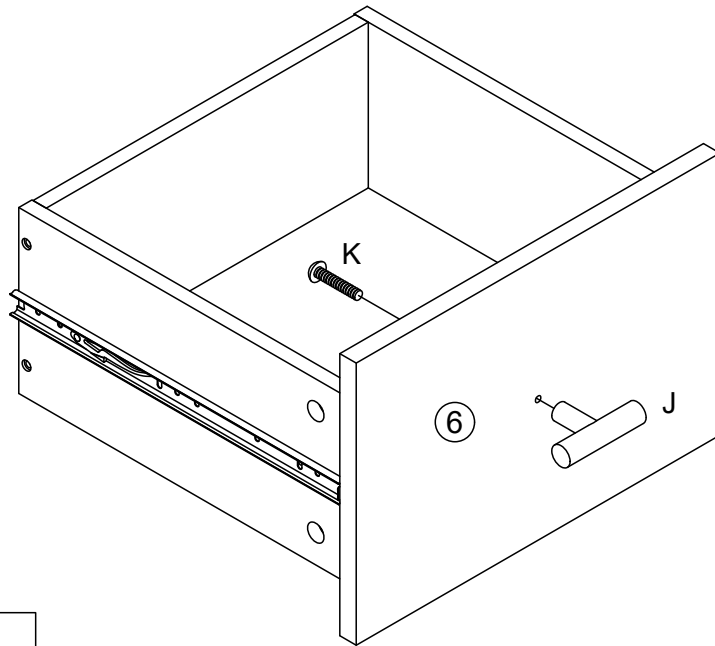
12. Attach the Drawer Front and tighten the CAM Locks

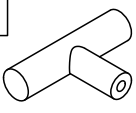



E	
Ø15*10mm Cam Lock	
4pcs	

R	
Ø20mm Sticker	
4pcs	

13. Assemble the Handle.



J		K	
Handle		M4*20mm Bolt	
1pc		1pc	

14. Assemble the Drawer into the Frame.

