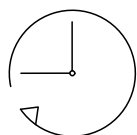
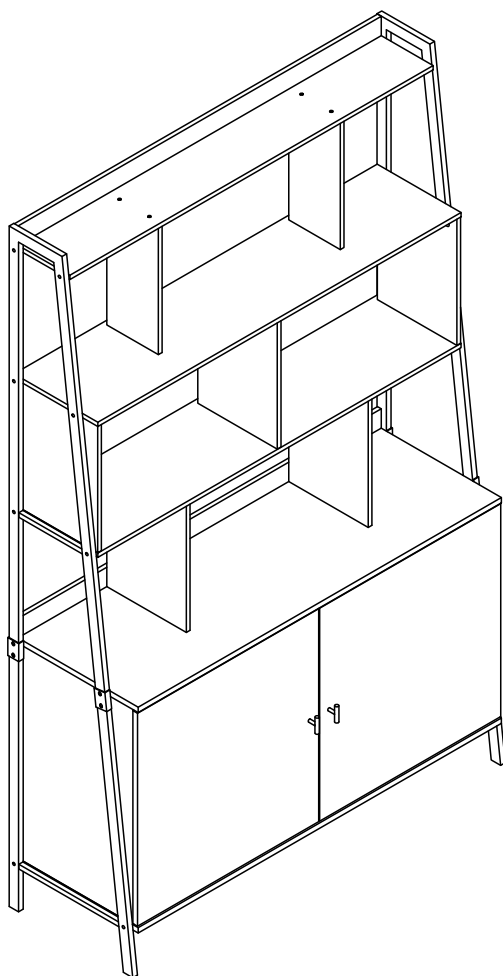
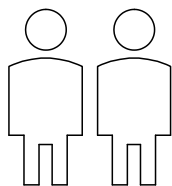


Willow Large Shelving Unit



Up to 60 minutes
assembly time



Two person
assembly

This product is intended for domestic use only, not for commercial purposes.

IMPORTANT

ASSEMBLY TIP

Before you begin, it's best to identify all of the parts and fittings to build your large shelving unit frame. We advise laying these out on the floor to check you have everything, and to familiarise yourself with all of the parts and fittings before building.

TOP TIP

We recommend that you assemble the large shelving unit in the room you'd like it to be located. This will help prevent any risk of damage to the frame whilst moving it.

SAFETY AND CARE

It's important to ensure children and animals are kept away from the assembly area, as there are small components used in this product which could present a choking hazard. All plastic and wrapping materials should also be kept away from children and animals to prevent any risk of suffocation.

HELP AND SUPPORT

Please contact our customer service team on 0113 519 0311 if you have any questions or issues with your purchase.

RECYCLING

Please ensure that packaging is disposed of in a safe and environmentally friendly way, and recycle where possible. Please keep your assembly instructions safe to refer back to in the future.

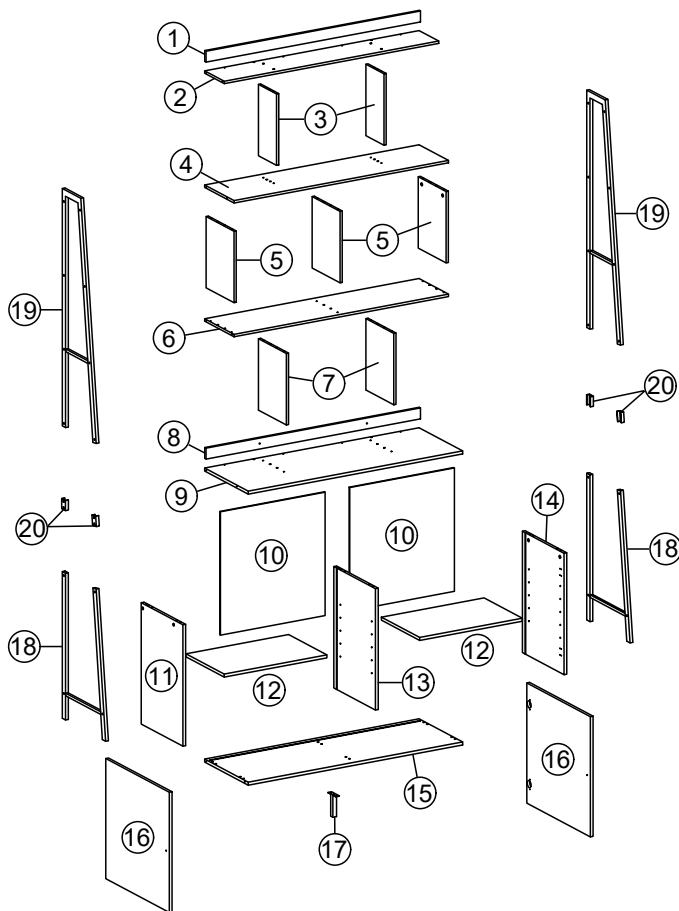
CARE AND MAINTENANCE:

1. Only clean using a damp cloth, do not use bleach or abrasive cleaners as they may damage the finish over time.
2. Do not use a very wet cloth or allow any liquid to contact with the veneer for a long period of time. Wipe any spillage immediately. Absorption can cause wood to warp or finishes to de-laminate.
3. Do not scrub or rub the surface when cleaning.
4. Do not drag the large shelving unit when moving, lift it off the floor instead.
5. Use a placemat or a coaster when putting hot items (e.g. hot drinks and dishes) on the wood surface.
6. It is not recommended to place the item next to sources of heat such as radiators, fires or directly exposed to sunlight. This may cause the wood to crack, split or fade due to the heat and humidity.
7. Wood will mellow and change colour over time, we recommend that ornaments and items placed on the surface to be moved regularly to prevent uneven mellowing.
8. Regularly check all fixings to ensure none have come loose. Re-tighten if necessary.
9. Avoid sharp items such as a screwdriver or any pointy tools.
10. Dispose of all packaging carefully and responsibly - recycle where possible.

Parts list



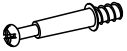



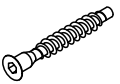


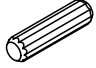


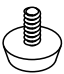
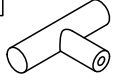






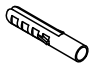
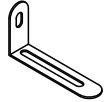

Before you begin building your Willow Large Shelving Unit, please take a moment to read through the instructions and make sure that you have all the relevant parts listed on the parts check list.

Part Number	Part Description	Quantity
①	Back Panel	1 pc
②	Top Shelf	1 pc
③	Top Shelf Support	2 pcs
④	Middle Shelf	1 pc
⑤	Middle Shelf Support	3 pcs
⑥	Bottom Shelf	1 pc
⑦	Bottom Shelf Support	2 pcs
⑧	Back Panel	1 pc
⑨	Top Panel	1 pc
⑩	Back Panel	2 pcs
⑪	Left Side Panel	1 pc
⑫	Shelf Panel	2 pcs
⑬	Middle Panel	1 pc
⑭	Right Side Panel	1 pc
⑮	Bottom Panel	1 pc
⑯	Door Panel	2 pcs
⑰	Centre Leg	1 pc
⑱	Leg Lower Part	2 pcs
⑲	Leg Upper Part	2 pcs
⑳	U-shaped iron	4 pcs

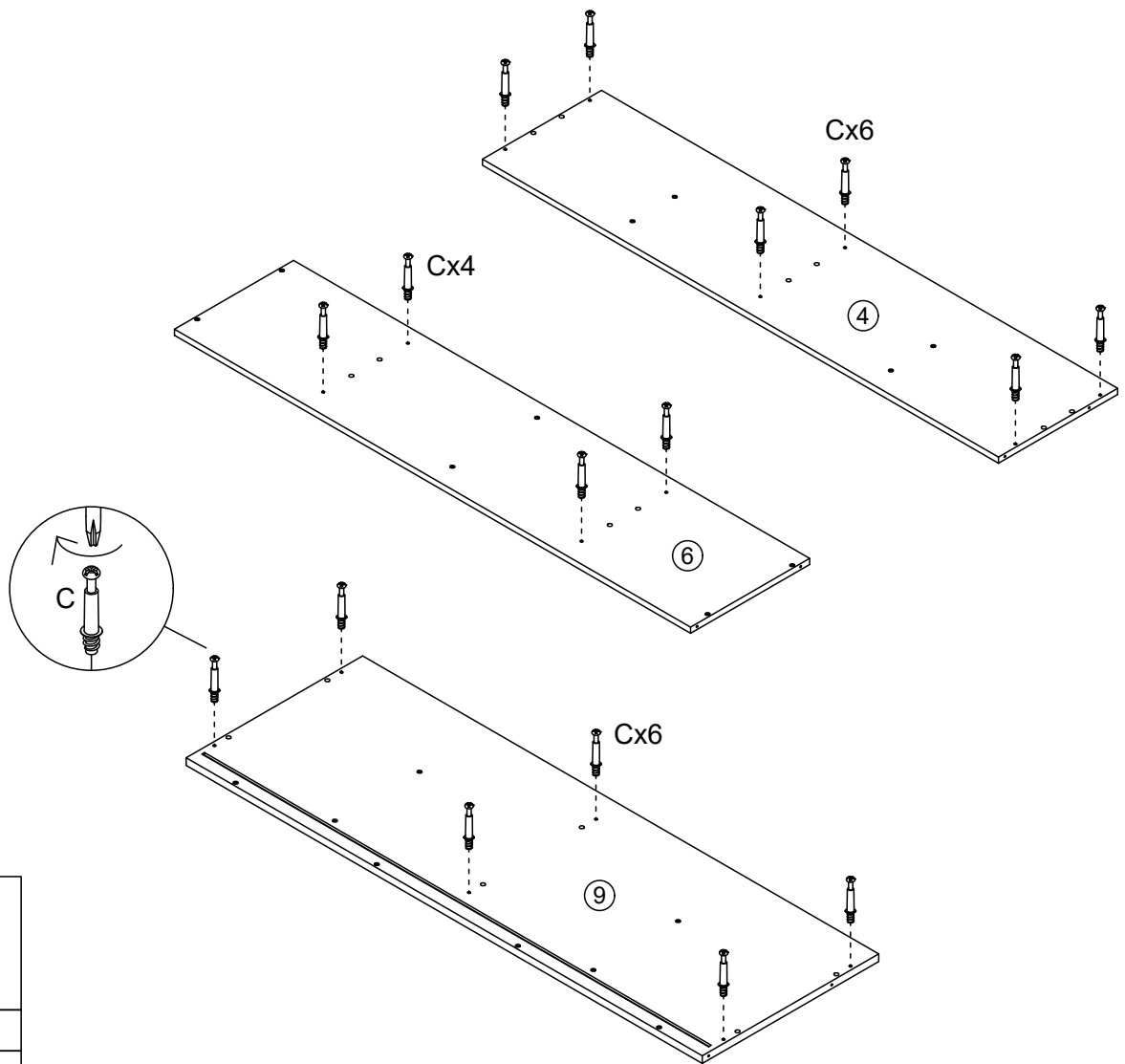


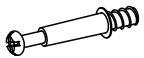
Fittings

Please check you have all the fittings listed below with your product.

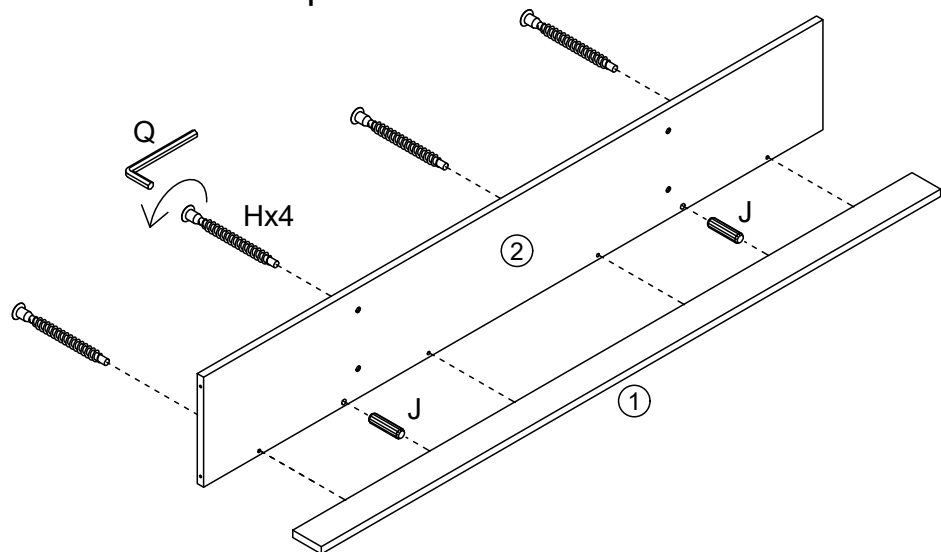
A  M6*12mm Bolt 2pcs	B  M6*28mm Bolt 4pcs	C  M6*35mm Bolt 16pcs+2pcs extra	D  Ø15*12mm Cam Lock 6pcs+1pc extra	E  Ø15*10mm Cam Lock 10pcs+1pc extra	F  M3.5*14mm Screw 36pcs+7pcs extra
G  M7*48mm Screw 6pcs+1pc extra	H  M5*48mm Screw 28pcs+5pcs extra	I  M5*50mm Screw 20pcs+3pcs extra	J  Ø8*30mm Dowel 44pcs+8pcs extra	K  Ø5*14mm Shelf Pin 8pcs+1pc extra	L  Plastic Buckle 12pcs+2pcs extra
M  Adjustable Foot 1pc	N  Handle 2pcs	O  M4*20mm Bolt 2pcs	P  Allen Key 4mm 1pc	Q  Allen Key 3mm 1pc	R  Ø20mm Sticker 16pcs+2pcs extra
S  M4*14mm Screw 4pcs	T  M4*35mm Screw 2pcs	U  Ø6*30mm Wall Plug 2pcs	V  Wall Bracket 2pcs	W  Hinge 4pcs	


1. Attach the Bolts to the Panels.




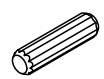
C	
M6*35mm Bolt	
16pcs	

2. Attach the Back Panel to the Top Shelf.

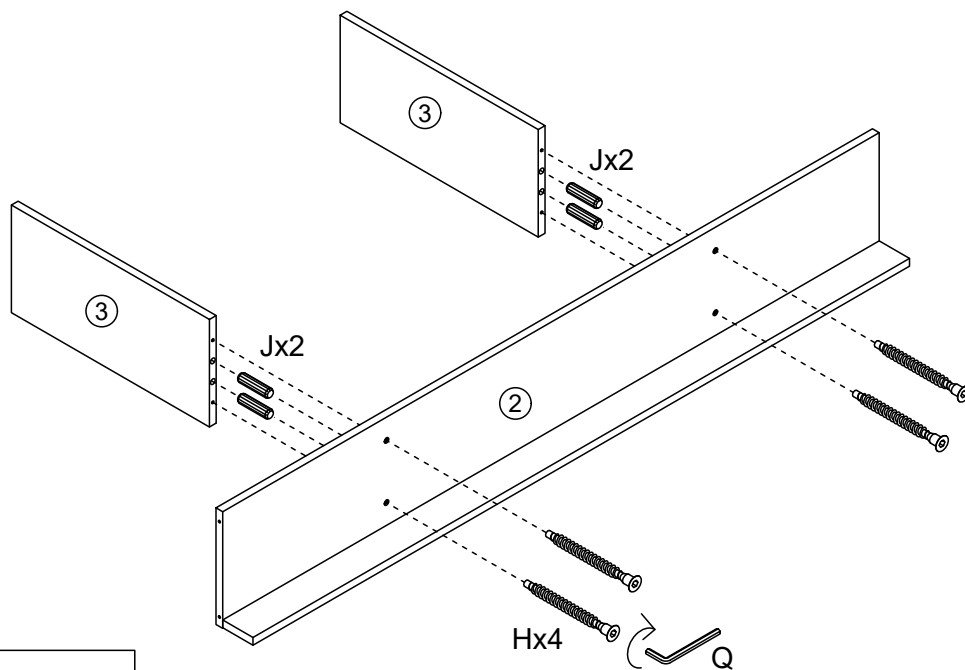


Q	
Allen Key 3mm	
1pc	

H	
M5*48mm Screw	
4pcs	

J	
Ø8*30mm Dowel	
2pcs	

3. Attach the Top Shelf Supports to the Top Shelf.

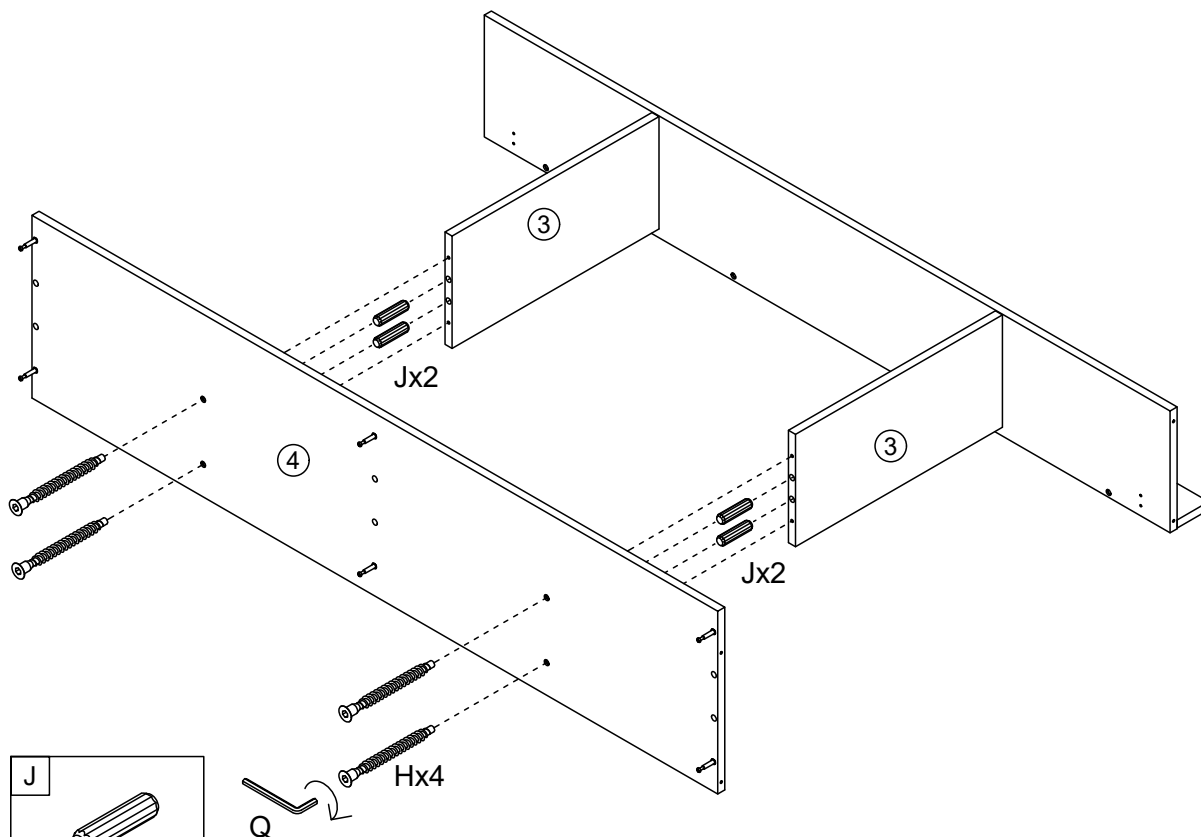


Q	
Allen Key 3mm	
1pc	

H	
M5*48mm Screw	
4pcs	

J	
Ø8*30mm Dowel	
4pcs	

4. Attach the Middle Shelf to the Top Shelf Supports.

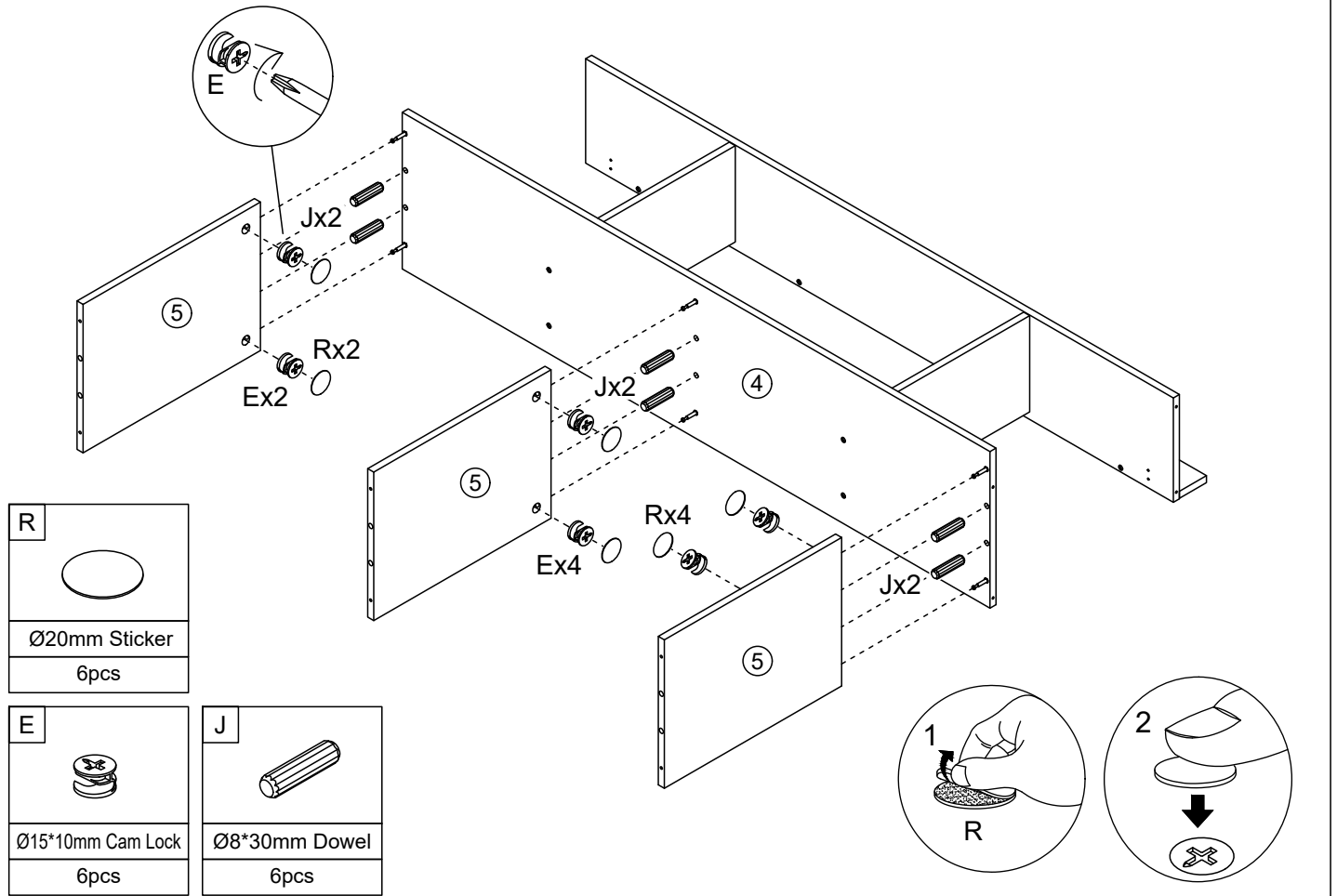


Q	
Allen Key 3mm	
1pc	

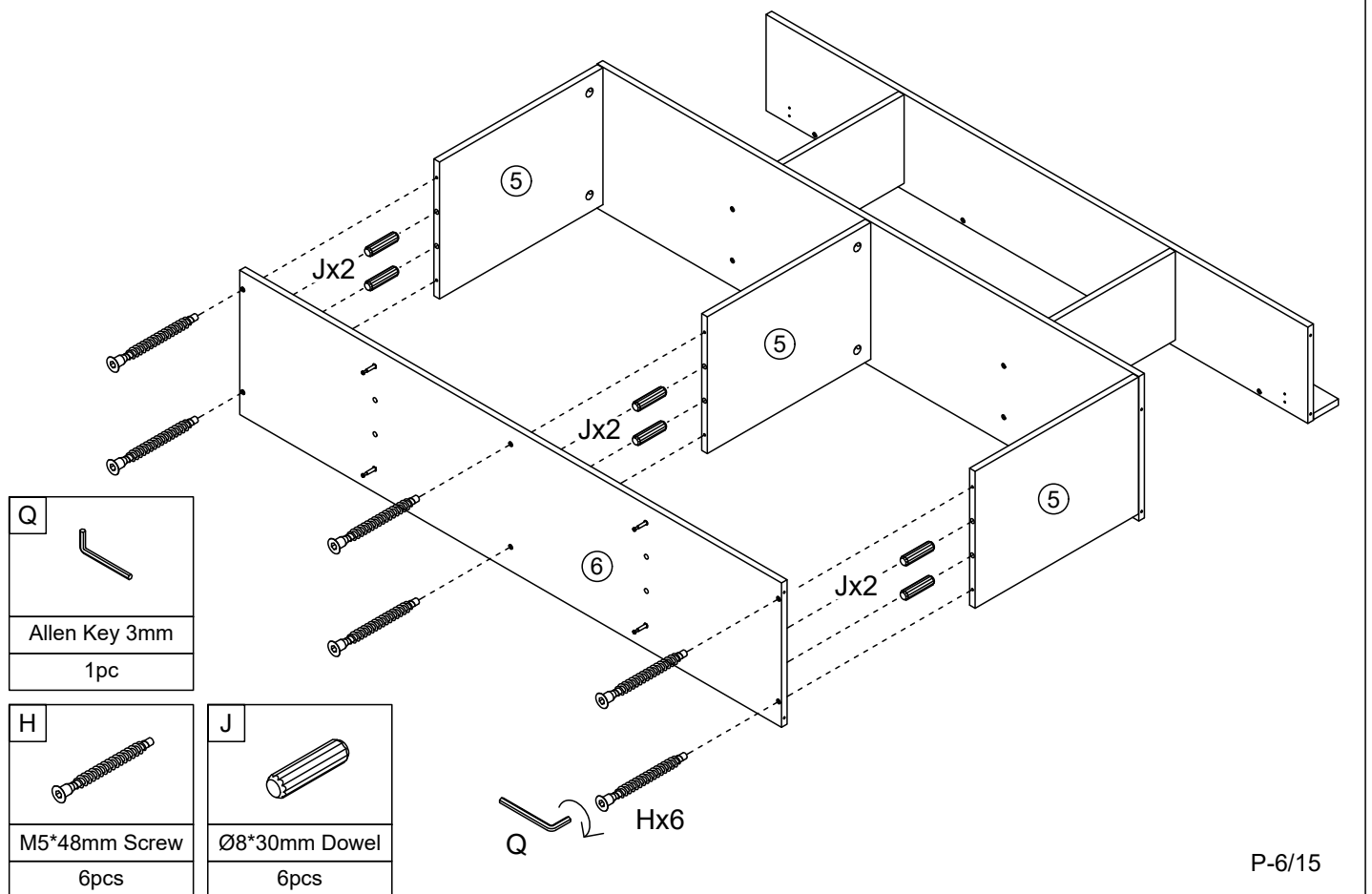
H	
M5*48mm Screw	
4pcs	

J	
Ø8*30mm Dowel	
4pcs	

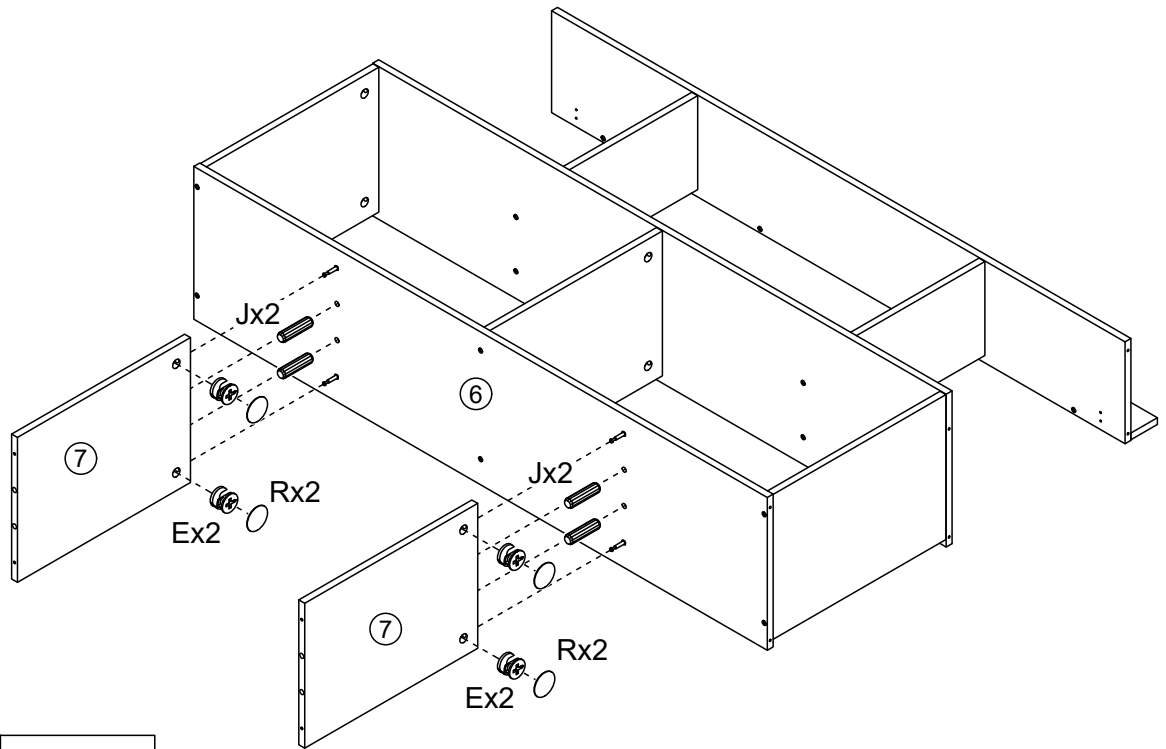
5. Attach the Middle Shelf Supports to the Middle Shelf.



6. Attach the Bottom Shelf to the Middle Shelf Supports.



7. Attach the Bottom Shelf Supports to the Bottom Shelf.

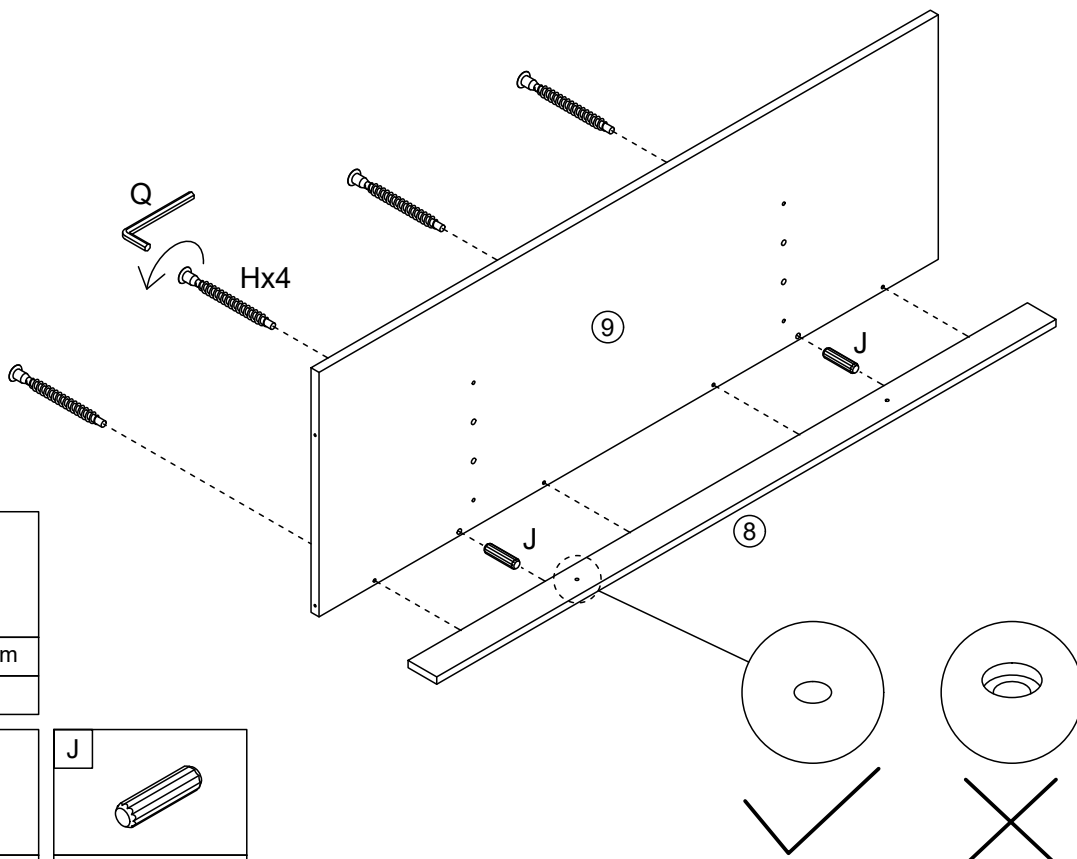


R	
Ø20mm Sticker	
4pcs	

E	
Ø15*10mm Cam Lock	
4pcs	

J	
Ø8*30mm Dowel	
4pcs	

8. Attach the Back Panel to the Top Panel.

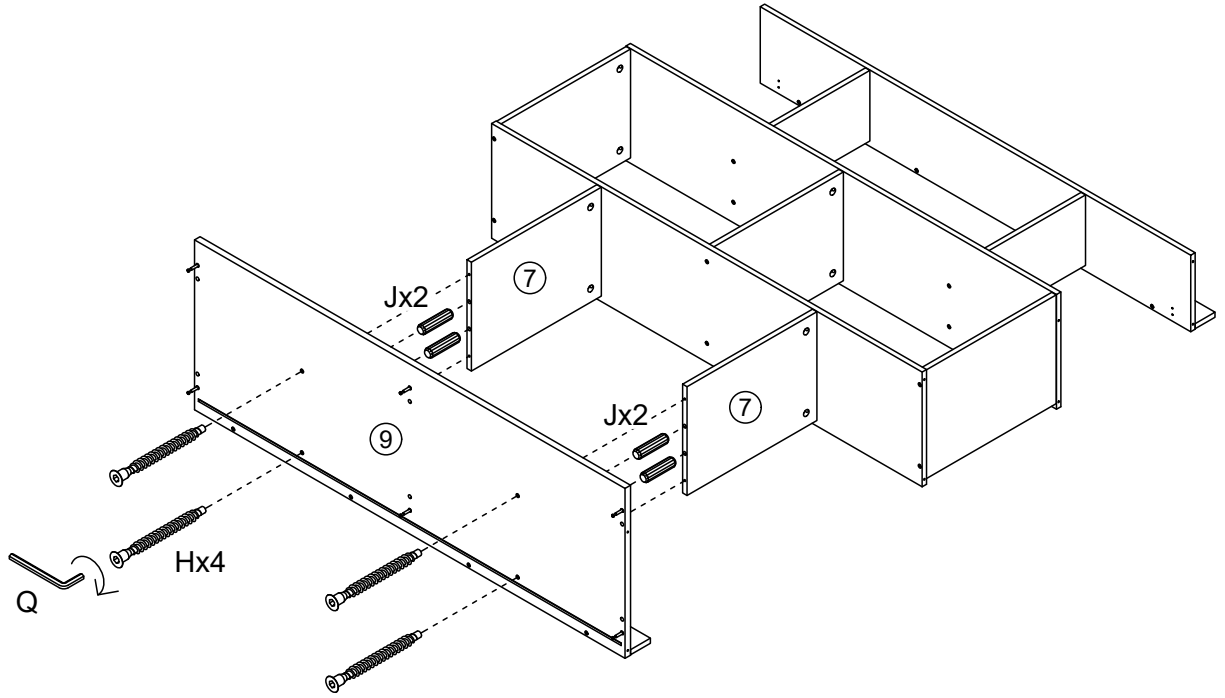



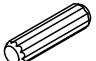

Q	
Allen Key 3mm	
1pc	

H	
M5*48mm Screw	
4pcs	

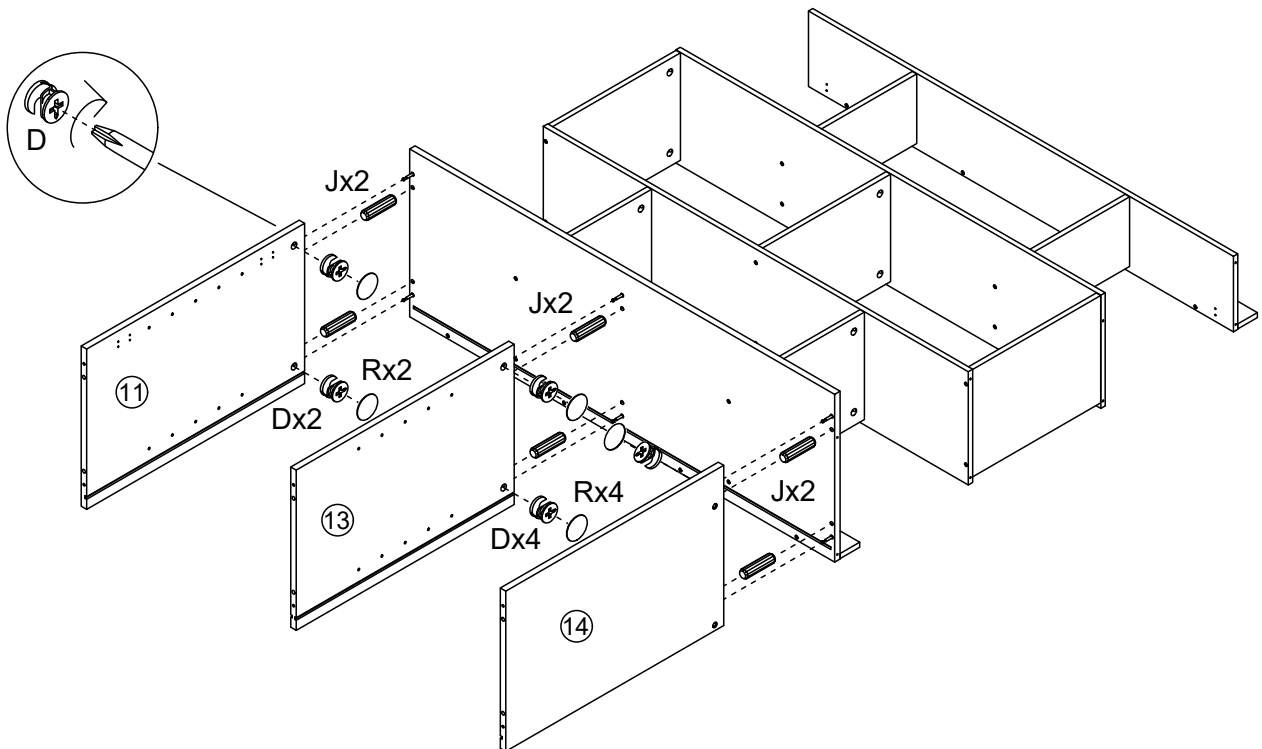
J	
Ø8*30mm Dowel	
2pcs	


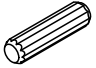

9. Attach the Top Panel to the Bottom Shelf Supports.



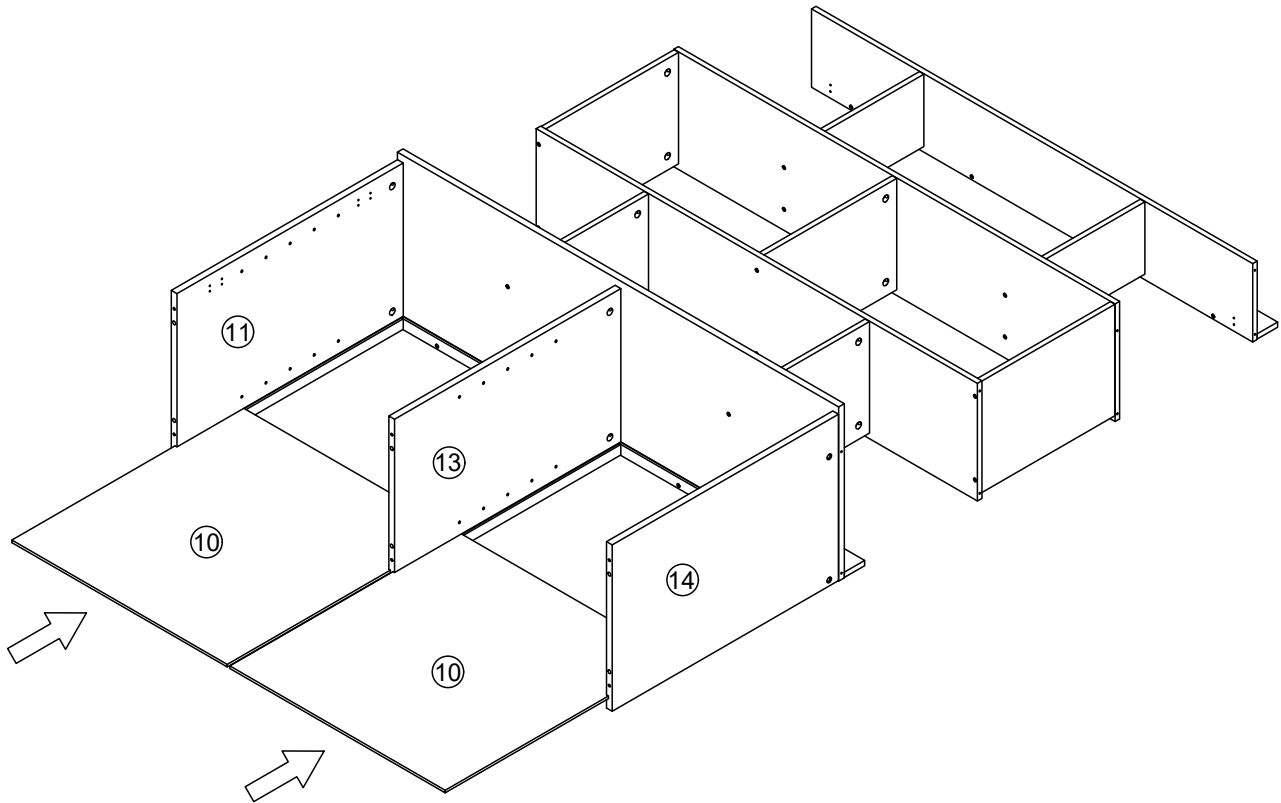
<p>H</p> 	<p>J</p> 	<p>Q</p> 
<p>M5*48mm Screw</p> <p>4pcs</p>	<p>Ø8*30mm Dowel</p> <p>4pcs</p>	<p>Allen Key 3mm</p> <p>1pc</p>

10. Attach the Panels to the Frame.

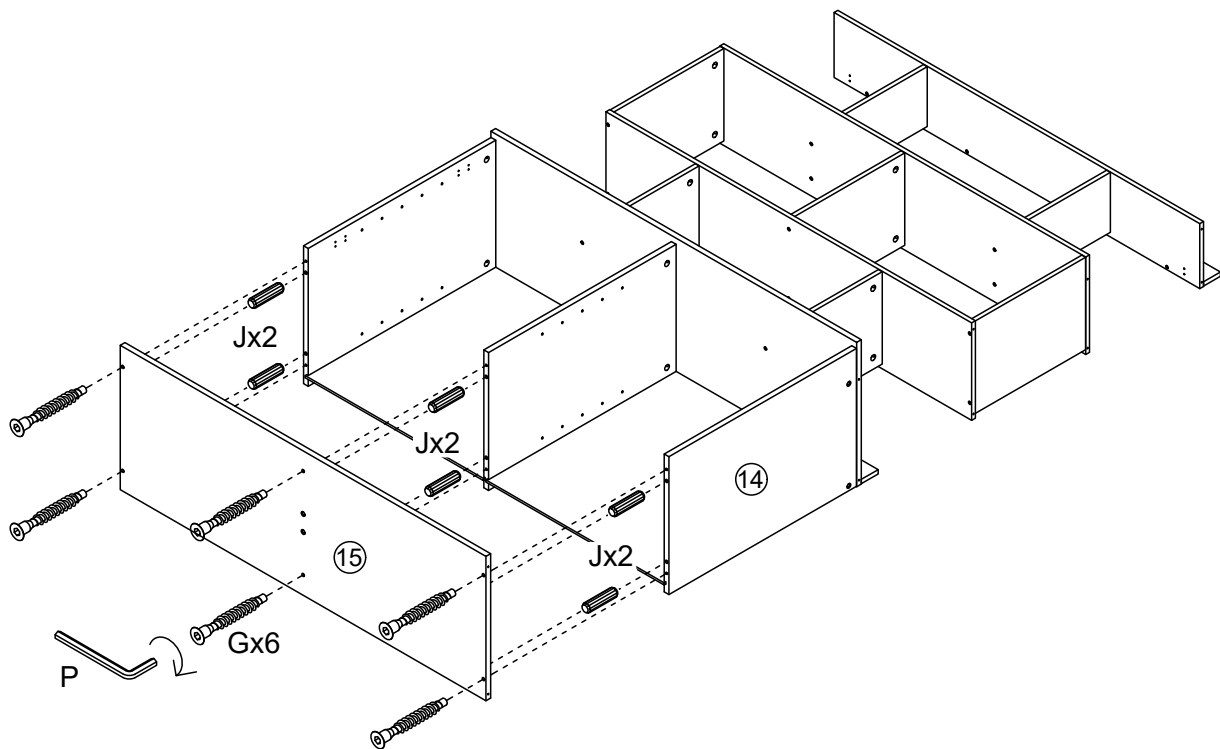


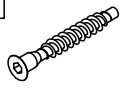
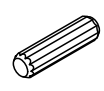
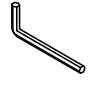
<p>D</p> 	<p>J</p> 	<p>R</p> 
<p>Ø15*12mm Cam Lock</p> <p>6pcs</p>	<p>Ø8*30mm Dowel</p> <p>6pcs</p>	<p>Ø20mm Sticker</p> <p>6pcs</p>

11. Assemble the Back Panels into the Frame.

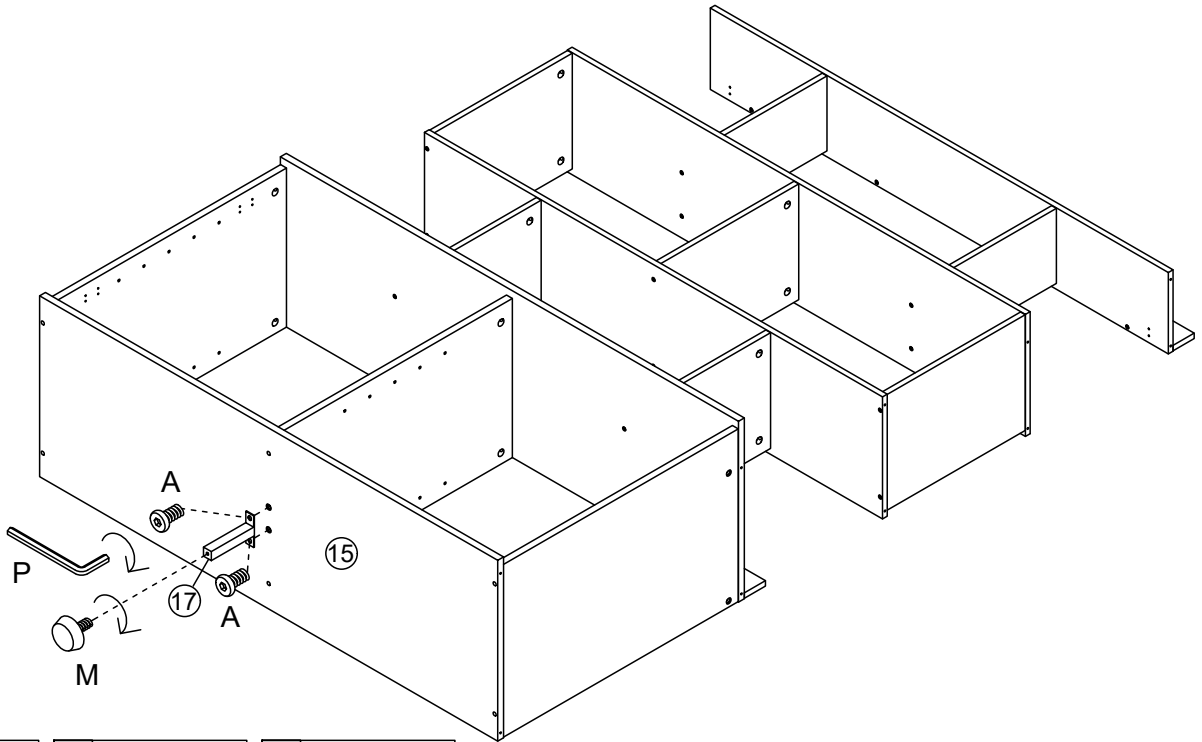



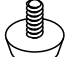
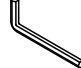
12. Attach the Bottom Panel onto the Frame.



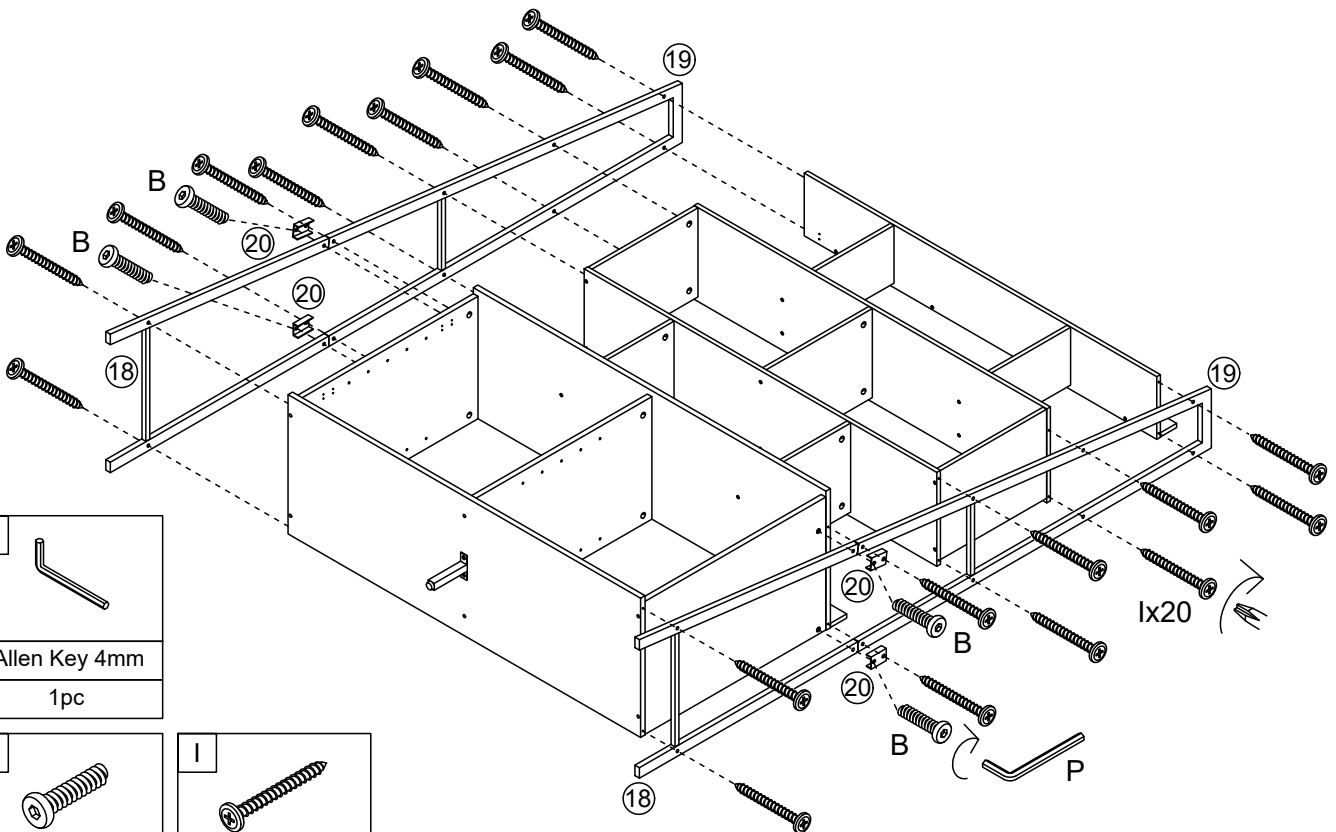
<p>G</p> 	<p>J</p> 	<p>P</p> 
<p>M7*48mm Screw 6pcs</p>	<p>Ø8*30mm Dowel 6pcs</p>	<p>Allen Key 4mm 1pc</p>




13. Attach the Centre Leg to the Bottom Panel and assemble the Adjustable Foot.



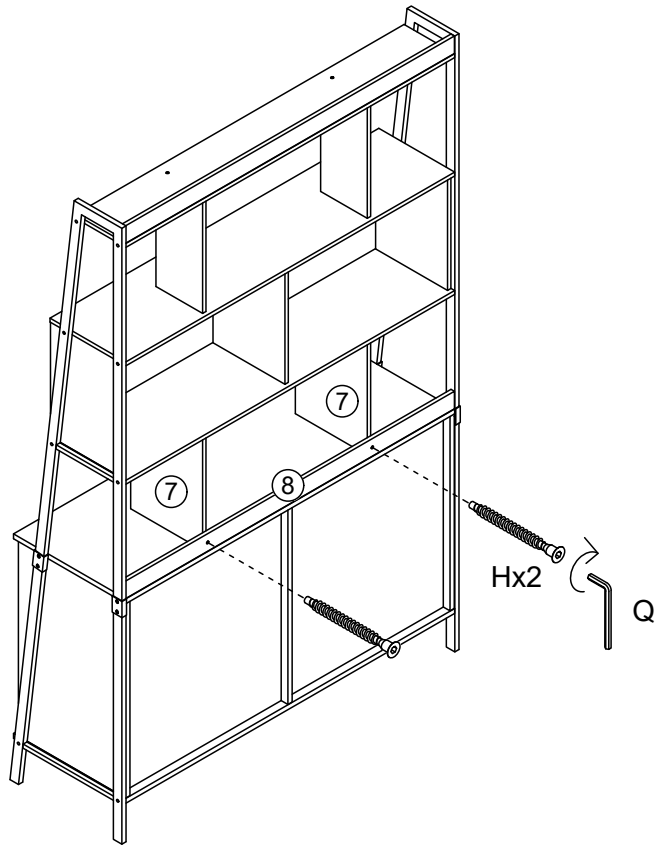
<p>A</p> 	<p>M</p> 	<p>P</p> 
<p>M6*12mm Bolt 2pcs</p>	<p>Adjustable Foot 1pc</p>	<p>Allen Key 4mm 1pc</p>


14. Attach the Legs to the Frame.




<p>P</p> 	
<p>Allen Key 4mm 1pc</p>	
<p>B</p> 	<p>I</p> 
<p>M6*28mm Bolt 4pcs</p>	<p>M5*50mm Screw 20pcs</p>

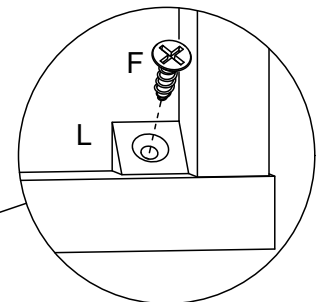
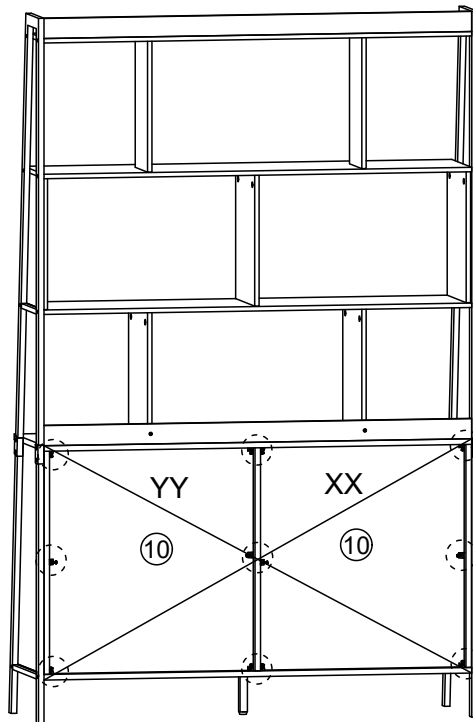
15. Tighten the Screws into the Back Panel.




H	
M5*48mm Screw	
2pcs	


Q	
Allen Key 3mm	
1pc	

16. Attach the Plastic Buckles.

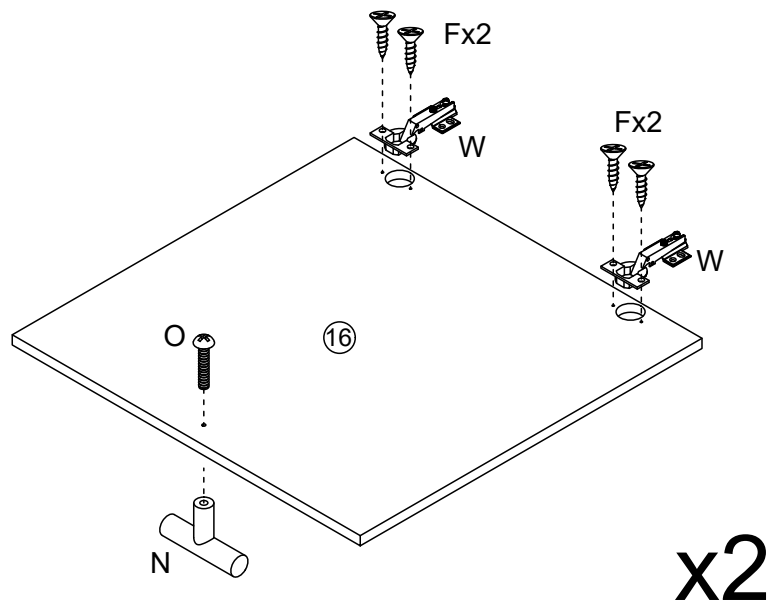




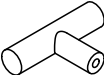

x12

F	
M3.5*14mm Screw	
12pcs	

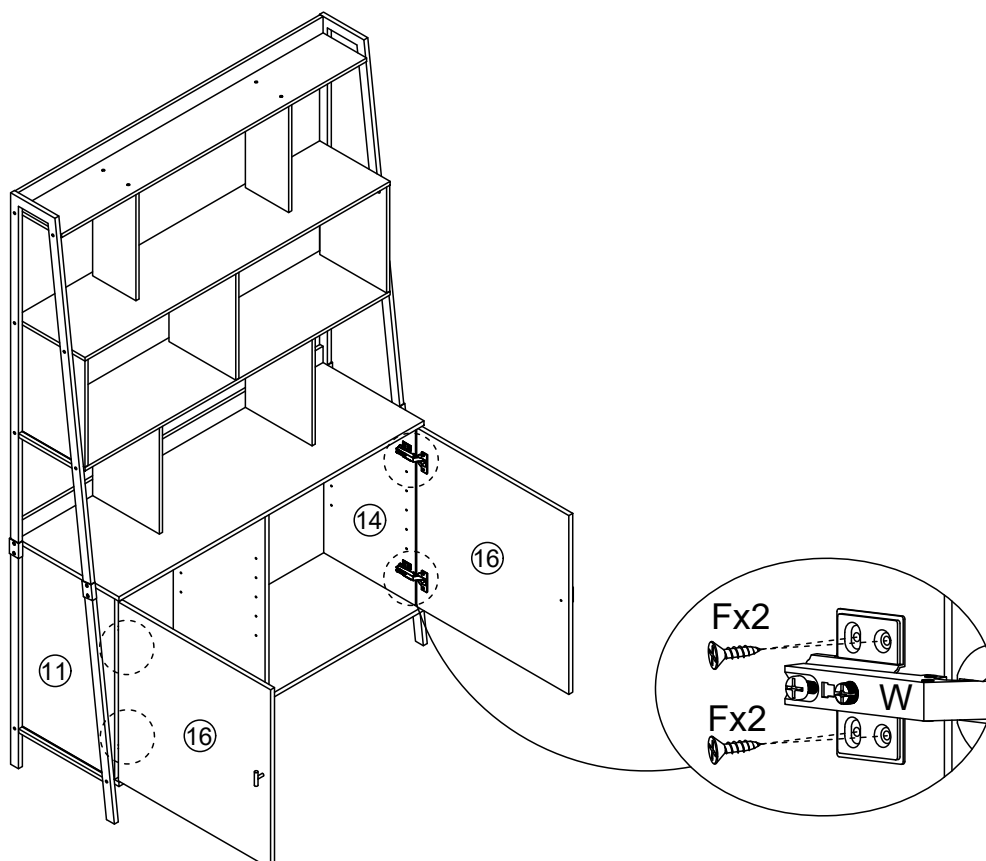
L	
Plastic Buckle	
12pcs	


17. Attach the Hinges and Handles to the Door Panels.



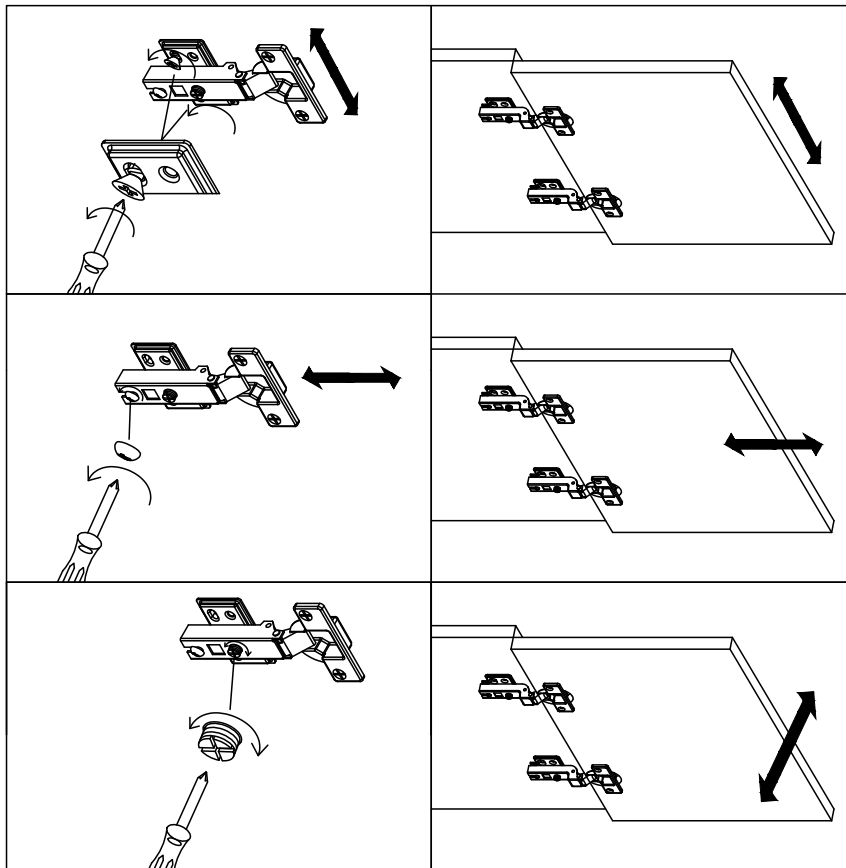
F	W	N	O
			
M3.5*14mm Screw	Hinge	Handle	M4*20mm Bolt
8pcs	4pcs	2pcs	2pcs

18. Attach the Door Panels to the Frame.

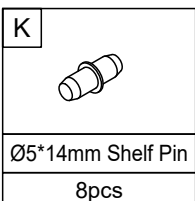
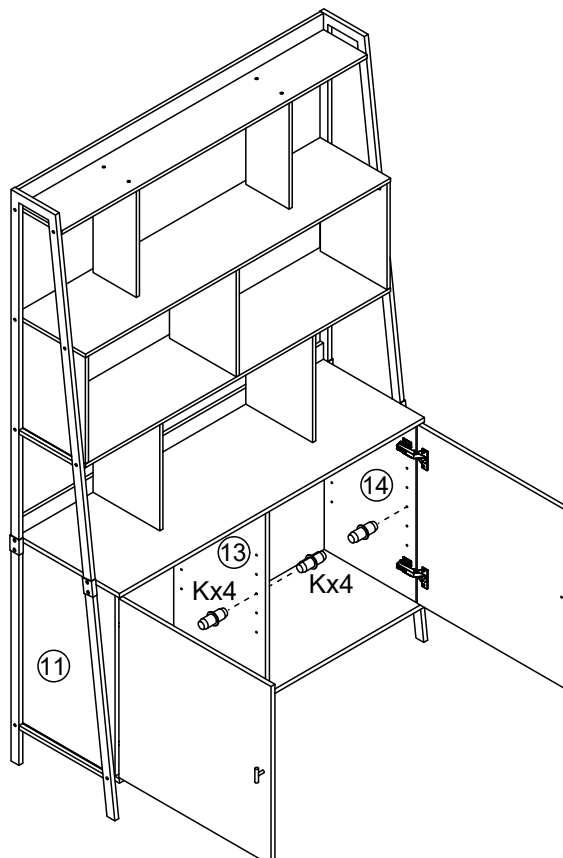


F

M3.5*14mm Screw
16pcs

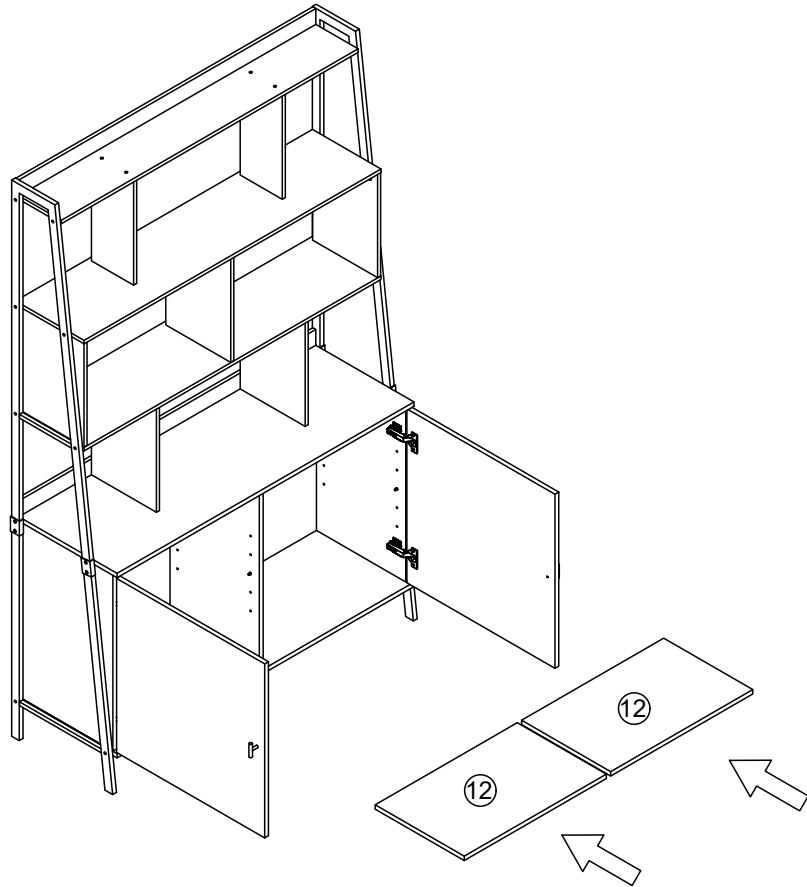
19. Adjust the Doors.



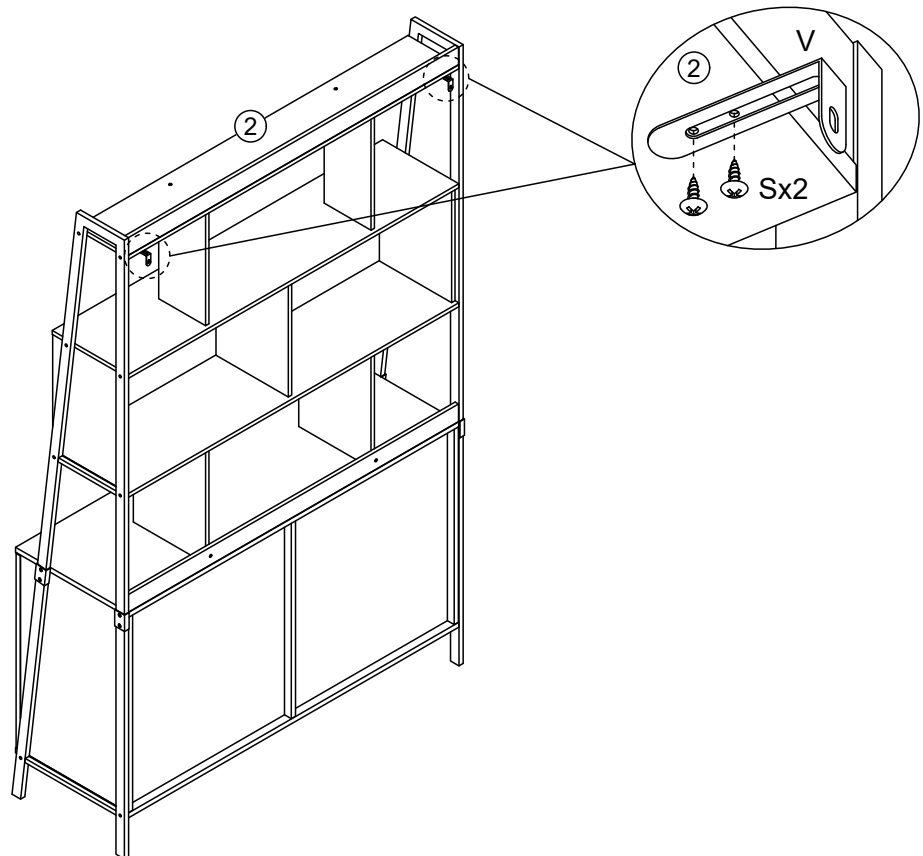
20. Attach the Shelf Pins to the Frame.


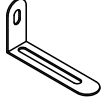


21. Assemble the Shelf Panels into the Frame.

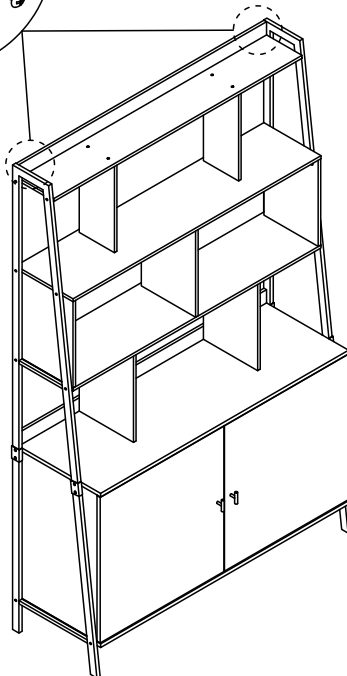
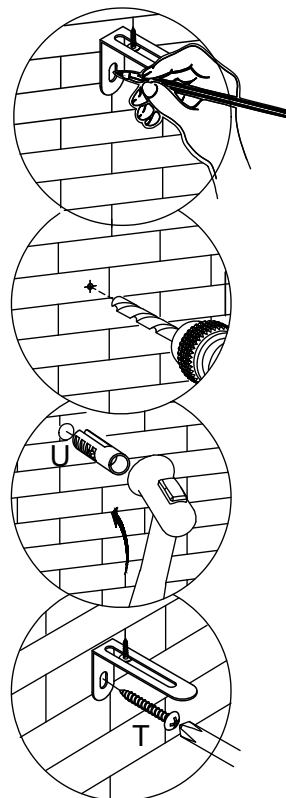
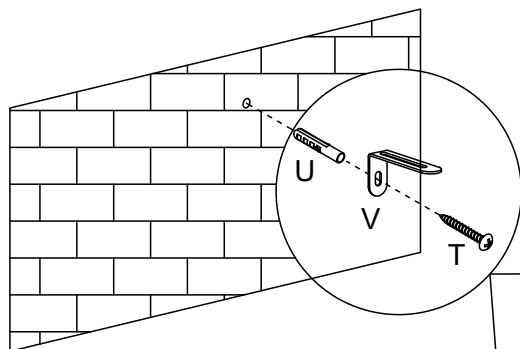



22. Attach the Wall Brackets to the Top Shelf.




S	V
	
M4*14mm Screw	Wall Bracket
4pcs	2pcs

23. Fix the Wall Brackets to the wall.



T	
M4*35mm Screw	
2pcs	

U	
Ø6*30mm Wall Plug	
2pcs	

24. The Centre Leg is adjustable if necessary.

