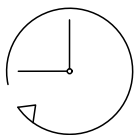
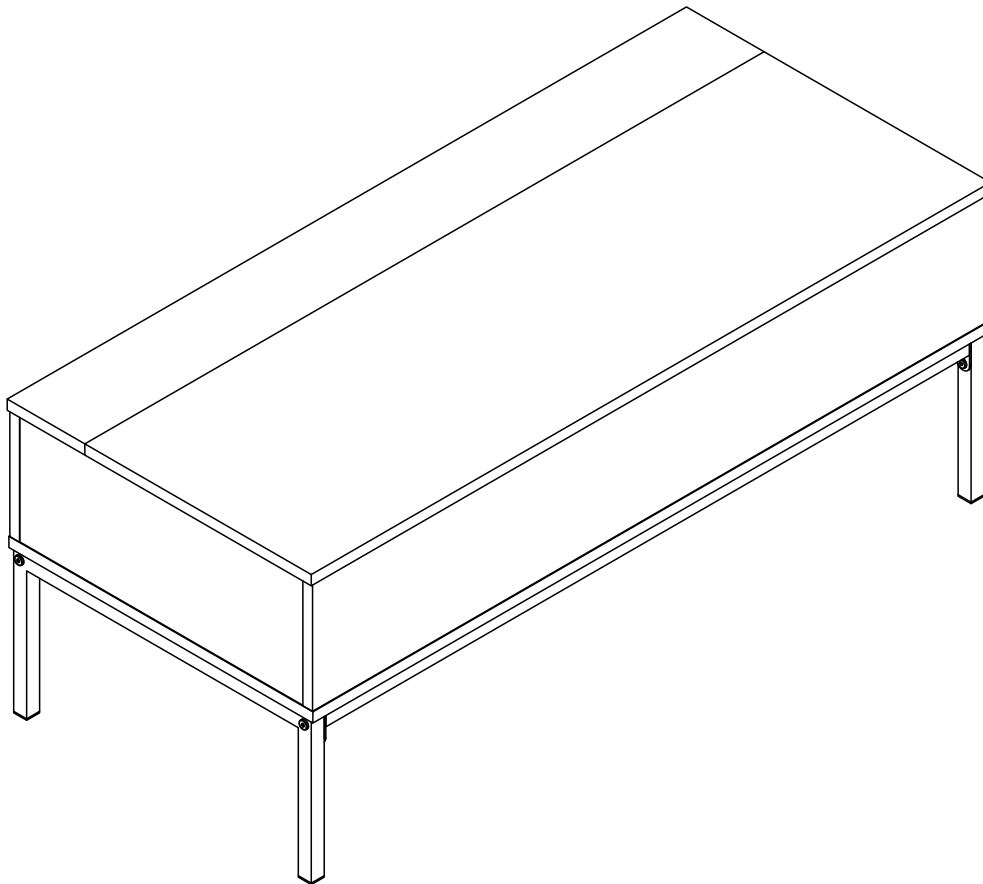
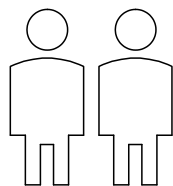


Willow Coffee Table



Up to 30 minutes
assembly time



Two person
assembly

This product is intended for domestic use only, not for commercial purposes.

IMPORTANT

ASSEMBLY TIP

Before you begin, it's best to identify all of the parts and fittings to build your Willow Coffee Table frame. We advise laying these out on the floor to check you have everything, and to familiarise yourself with all of the parts and fittings before building.

TOP TIP

We recommend that you assemble the Willow Coffee Table in the room you'd like it to be located. This will help prevent any risk of damage to the frame whilst moving it.

SAFETY AND CARE

It's important to ensure children and animals are kept away from the assembly area, as there are small components used in this product which could present a choking hazard. All plastic and wrapping materials should also be kept away from children and animals to prevent any risk of suffocation.

HELP AND SUPPORT

Please contact our customer service team on 0113 519 0311 if you have any questions or issues with your purchase.

RECYCLING

Please ensure that packaging is disposed of in a safe and environmentally friendly way, and recycle where possible. Please keep your assembly instructions safe to refer back to in the future.

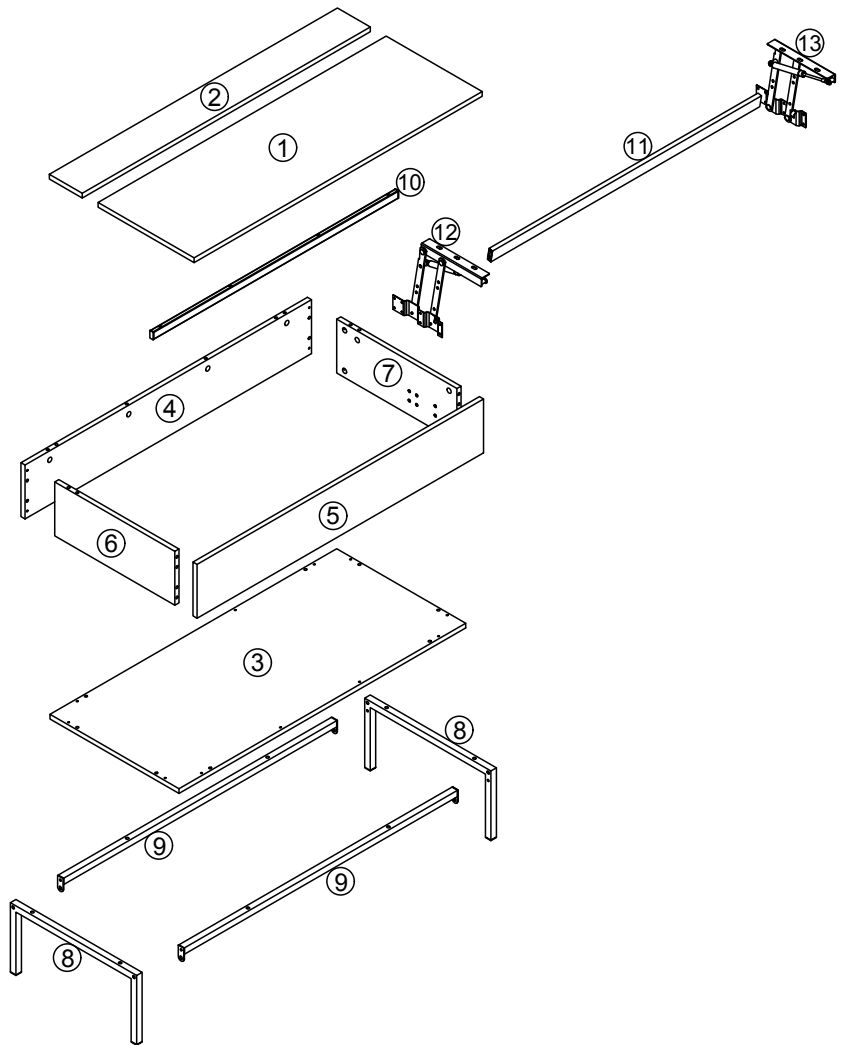
CARE AND MAINTENANCE:

1. Only clean using a damp cloth, do not use bleach or abrasive cleaners as they may damage the finish over time.
2. Do not use a very wet cloth or allow any liquid to contact with the veneer for a long period of time. Wipe any spillage immediately. Absorption can cause wood to warp or finishes to de-laminate.
3. Do not scrub or rub the surface when cleaning.
4. Do not drag the Willow Coffee Table when moving, lift it off the floor instead.
5. Use a placemat or a coaster when putting hot items (e.g. hot drinks and dishes) on the wood surface.
6. It is not recommended to place the item next to sources of heat such as radiators, fires or directly exposed to sunlight. This may cause the wood to crack, split or fade due to the heat and humidity.
7. Wood will mellow and change colour over time, we recommend that ornaments and items placed on the surface to be moved regularly to prevent uneven mellowing.
8. Regularly check all fixings to ensure none have come loose. Re-tighten if necessary.
9. Avoid sharp items such as a screwdriver or any pointy tools.
10. Dispose of all packaging carefully and responsibly - recycle where possible.

Parts list

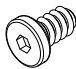
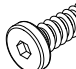
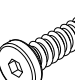
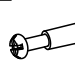





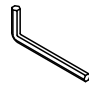
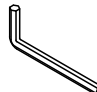
Before you begin building your Willow Coffee Table, please take a moment to read through the instructions and make sure that you have all the relevant parts listed on the parts check list.

Part Number	Part Description	Quantity
①	Big Top	1 pc
②	Small Top	1 pc
③	Bottom Panel	1 pc
④	Back Panel	1 pc
⑤	Front Panel	1 pc
⑥	Left Side Panel	1 pc
⑦	Right Side Panel	1 pc
⑧	Leg	2 pcs
⑨	Leg Side Support	2 pcs
⑩	Support Bar	1 pc
⑪	Lifting Support	1 pc
⑫	Left Lifting Device	1 pc
⑬	Right Lifting Device	1 pc

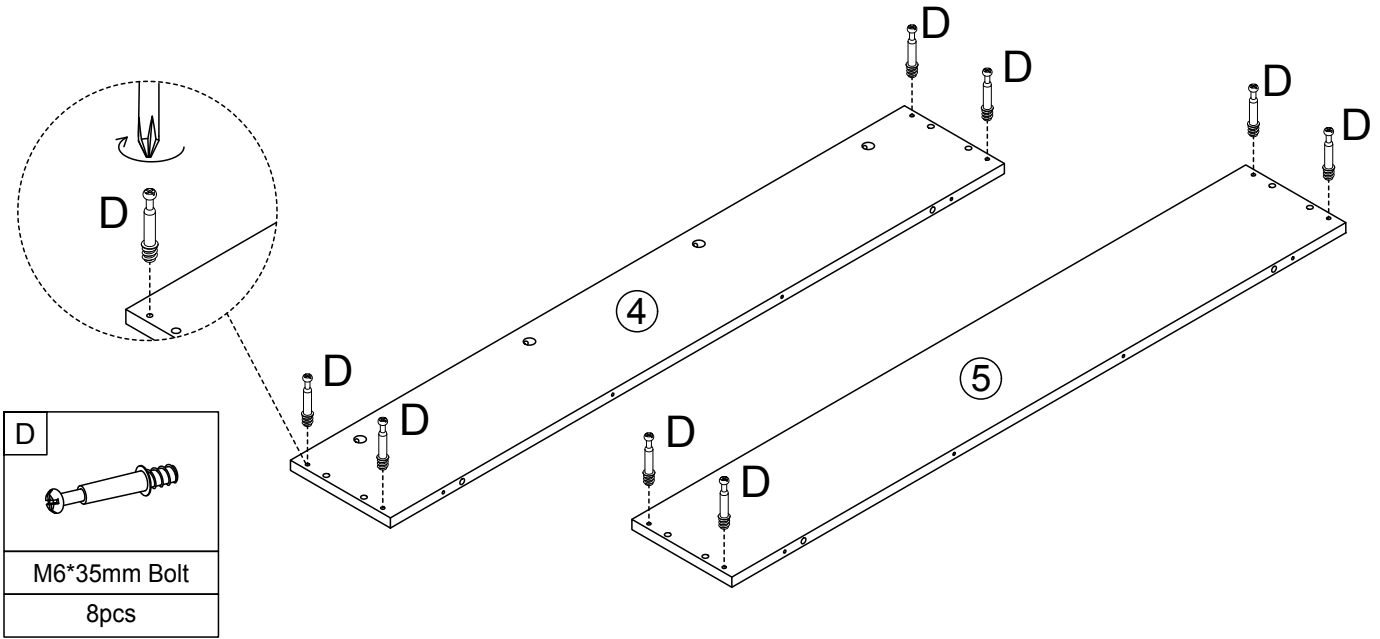


Fittings

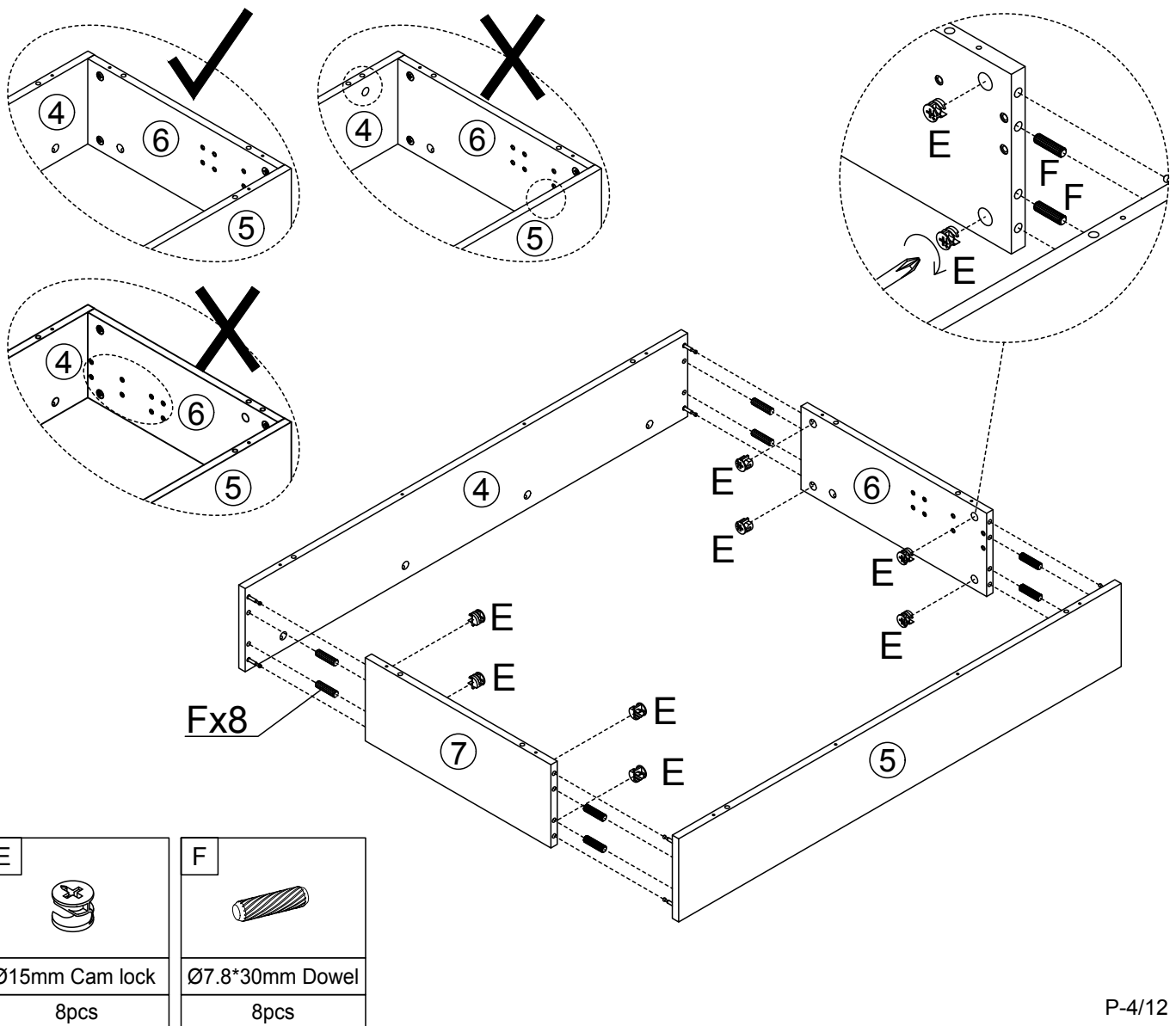
Please check you have all the fittings listed below with your product.

A 	B 	C 	D 	E 	F 
M6*12mm Bolt 10pcs+1pc extra	M6*20mm Bolt 4pcs	M6*30mm Bolt 12pcs+2pc extra	M6*35mm Bolt 14pcs+2pcs extra	Ø15mm Cam lock 14pcs+2pcs extra	Ø7.8*30mm Dowel 20pcs+3pcs extra
G 	H 	I 	J 	K 	
M7*48mm Screw 12pcs+2pc extra	M6*35mm Bolt 4pcs	M4*12mm Bolt 16pcs+3pcs extra	3mm Allen Key 1pc	4mm Allen Key 1pc	

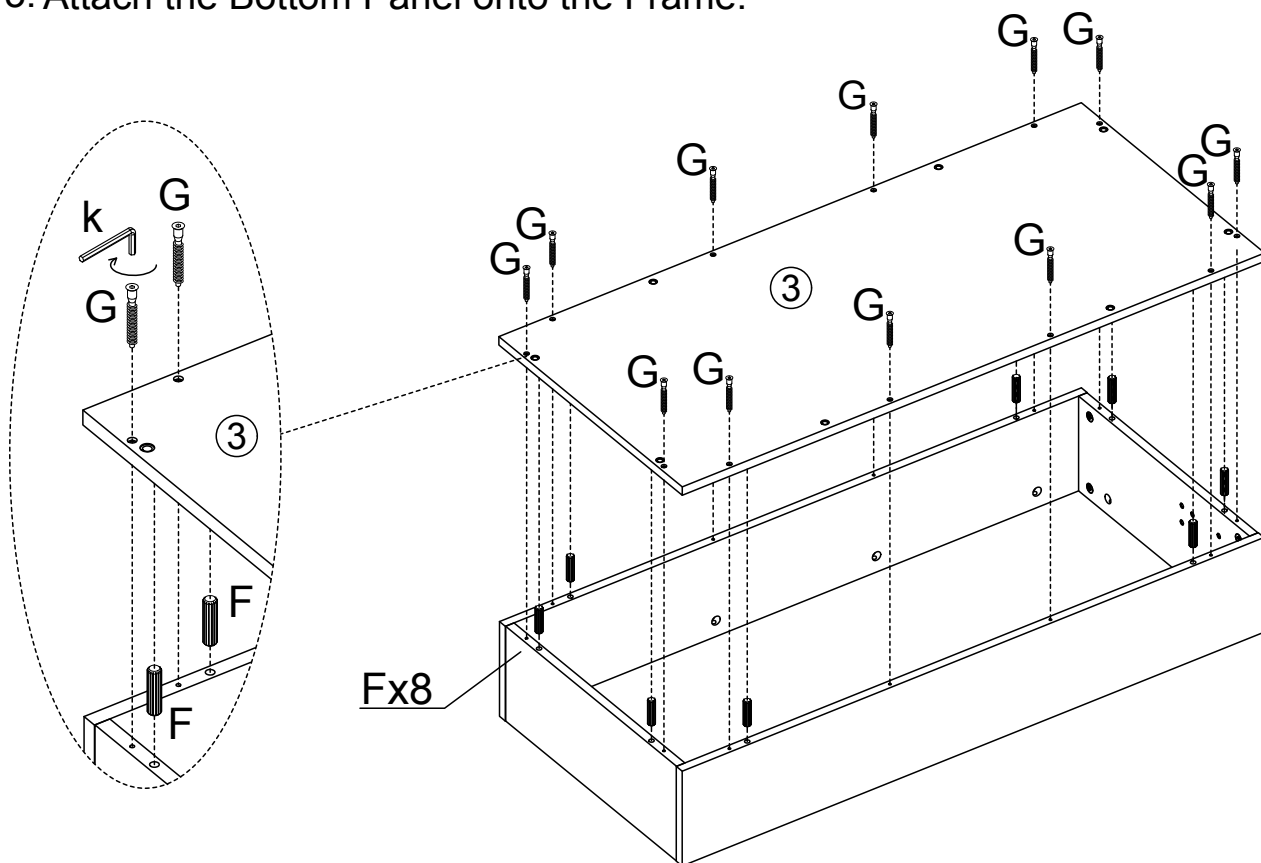
1. Attach the Bolts to the Back Panel and the Front Panel.



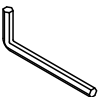


2. Attach Parts into the Panels and tighten the Cam Locks.

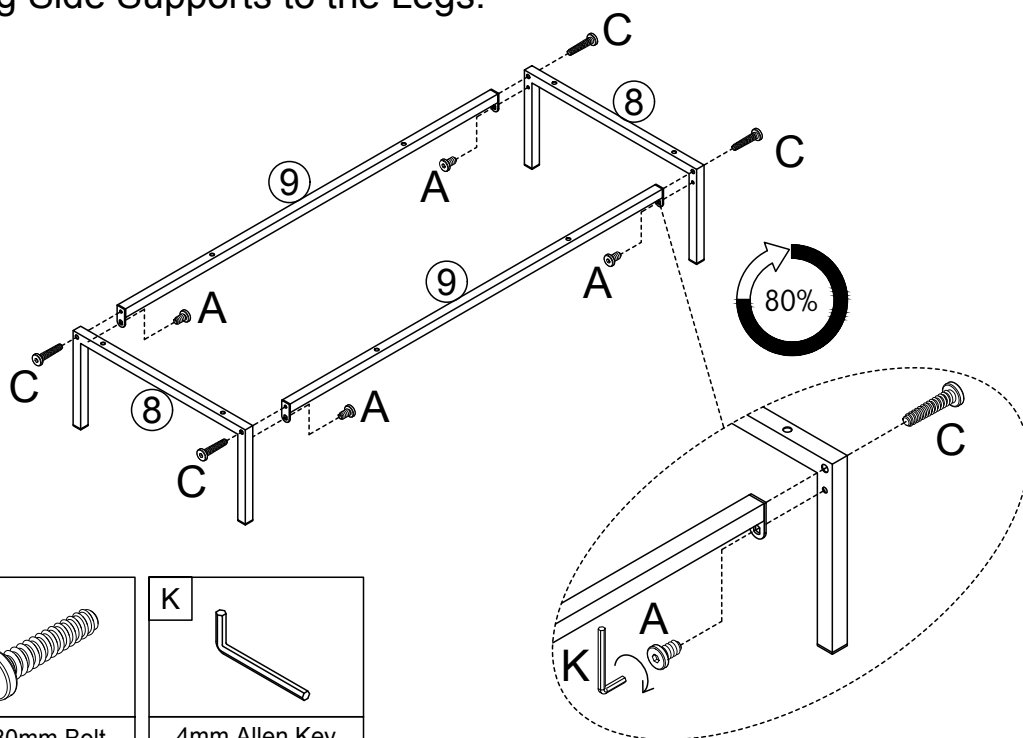



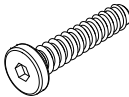
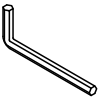
3. Attach the Bottom Panel onto the Frame.



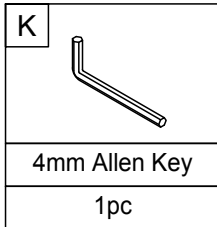
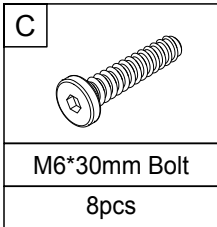
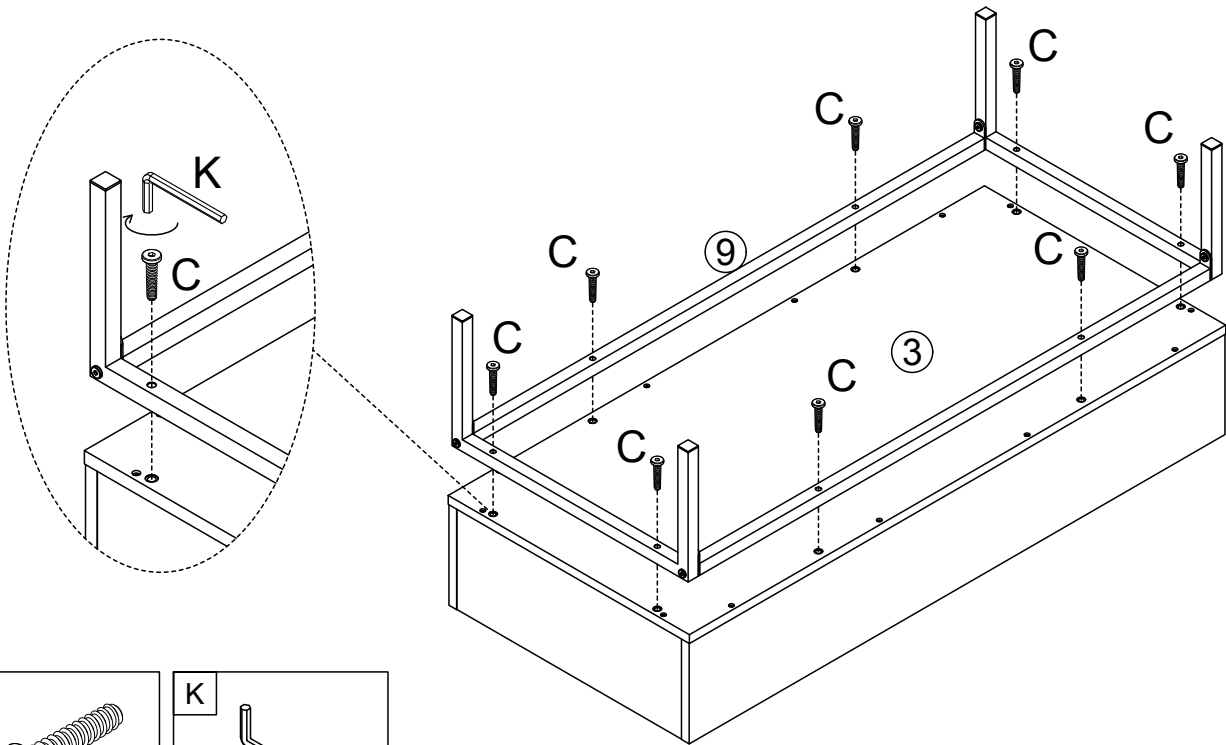
<p>F</p> 	<p>G</p> 	<p>K</p> 
<p>Ø7.8*30mm Dowel 8pcs</p>	<p>M7*48mm Screw 12pcs</p>	<p>4mm Allen Key 1pc</p>

4. Attach the Leg Side Supports to the Legs.

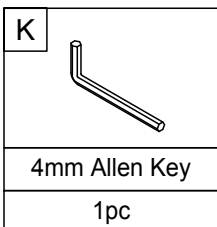
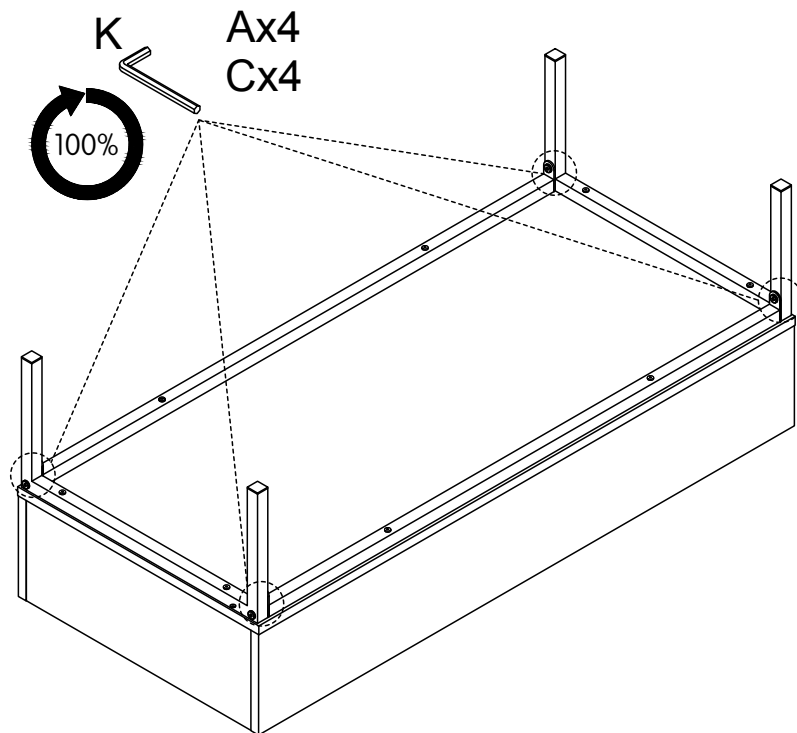


<p>A</p> 	<p>C</p> 	<p>K</p> 
<p>M6*12mm Bolt 4pcs</p>	<p>M6*30mm Bolt 4pcs</p>	<p>4mm Allen Key 1pc</p>

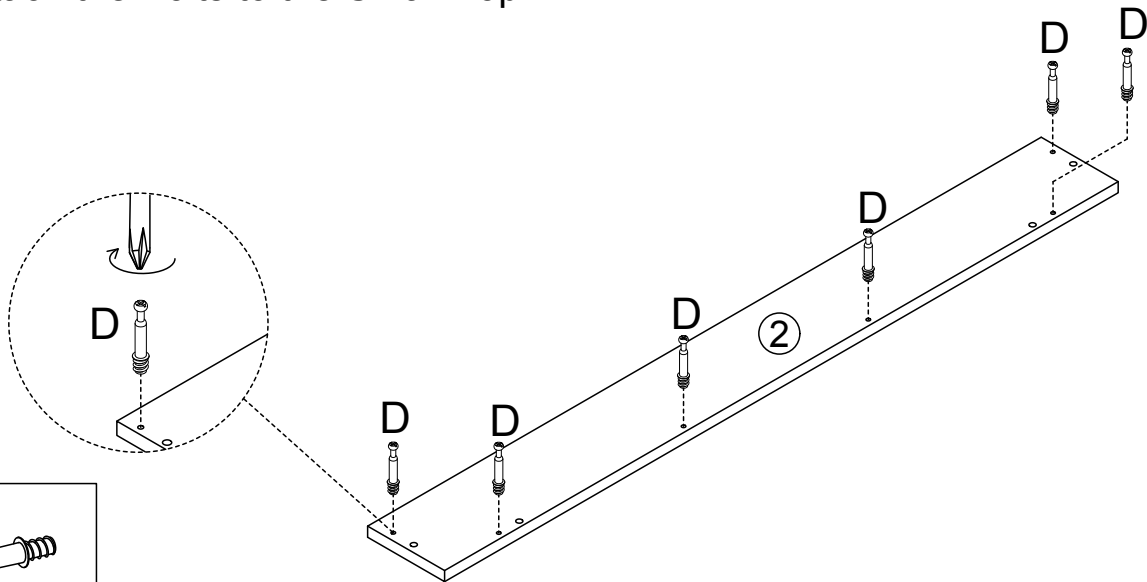
5. Attach the Legs to the Frame.

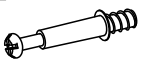


6. Tighten the Bolts fully.

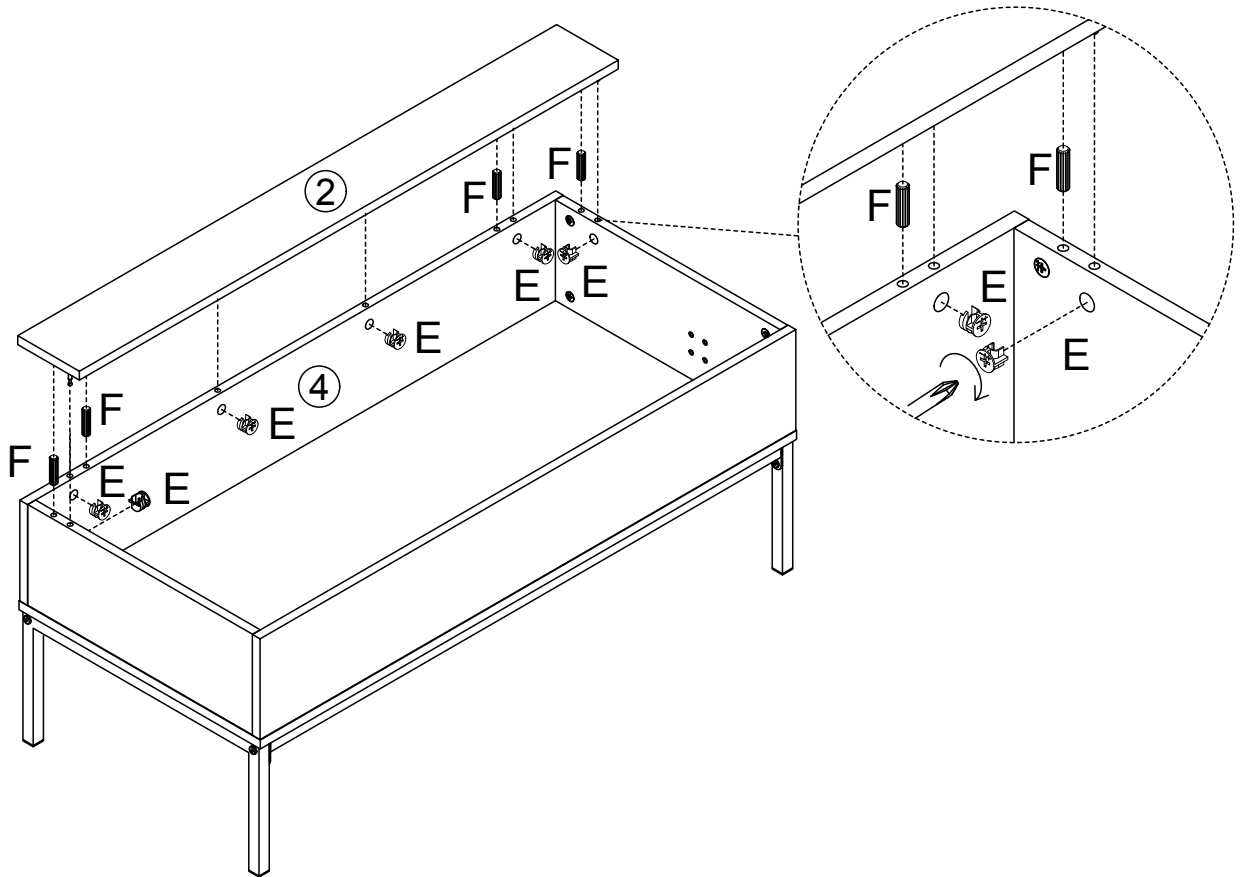



7. Attach the Bolts to the Small Top.




D	
M6*35mm Bolt	
6pcs	

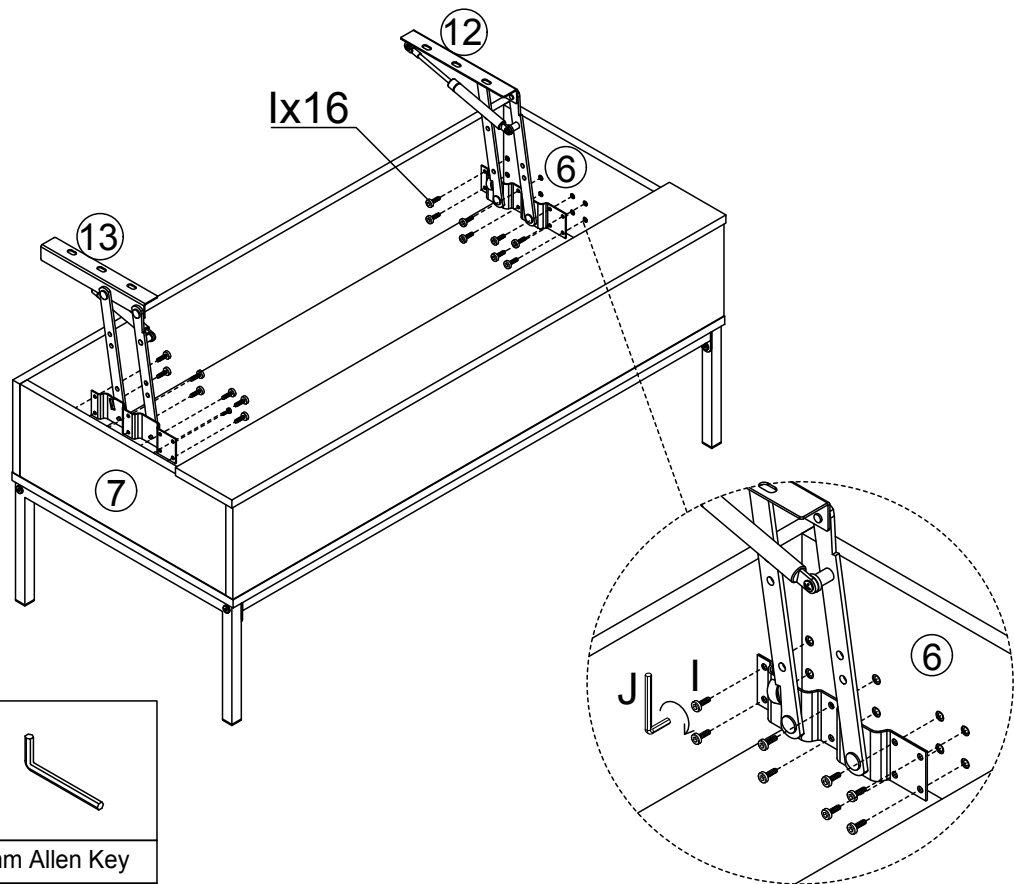
8. Attach the Small Top onto the Frame and tighten the Cam Locks.




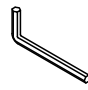
E	
Ø15mm Cam lock	
6pcs	

F	
Ø7.8*30mm Dowel	
4pcs	

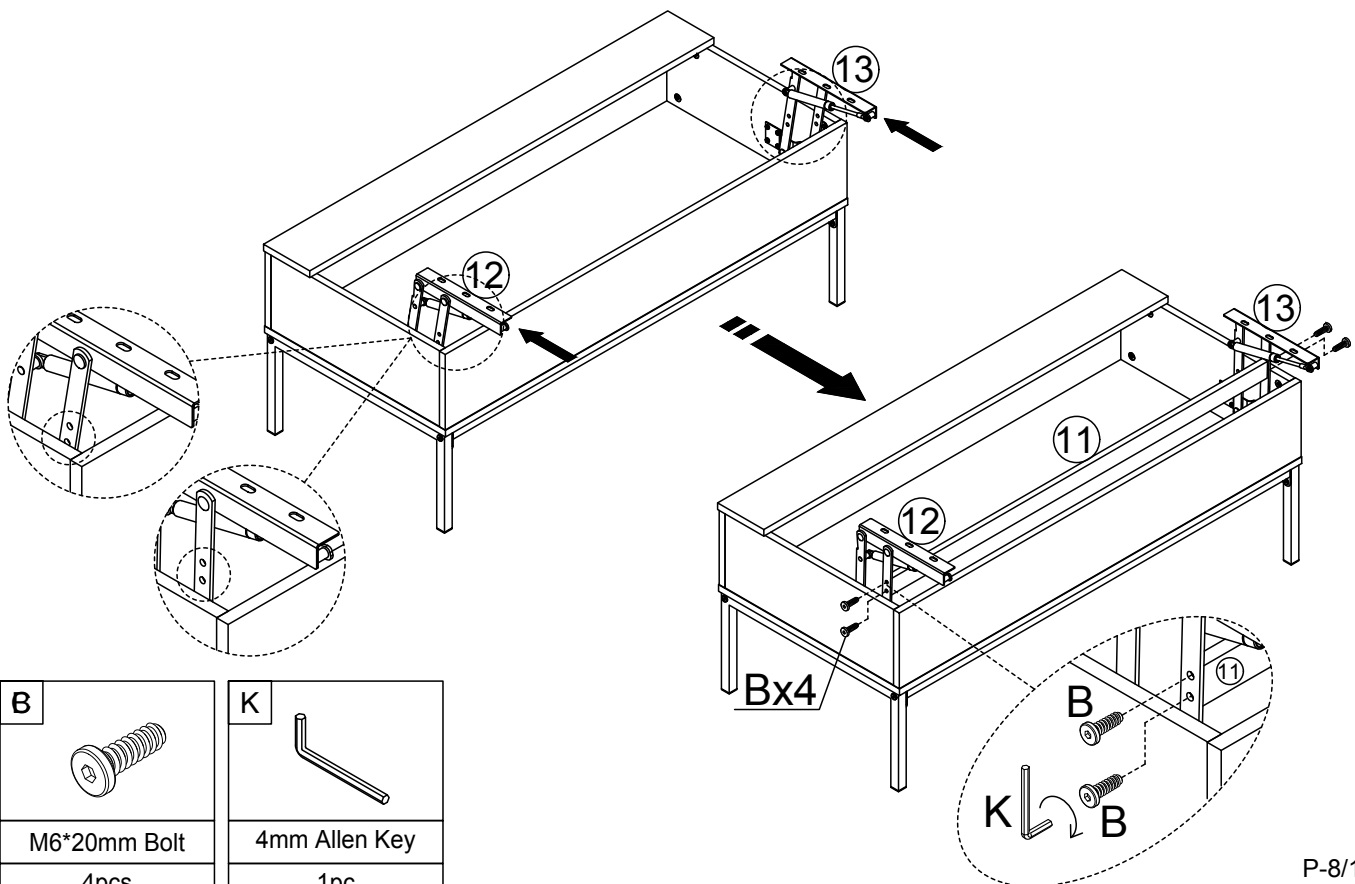
9. Attach the Lifting Devices to the Side Panels.

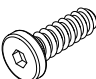


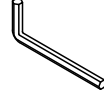
I	
M4*12mm Bolt	
16pcs	

J	
3mm Allen Key	
1pc	

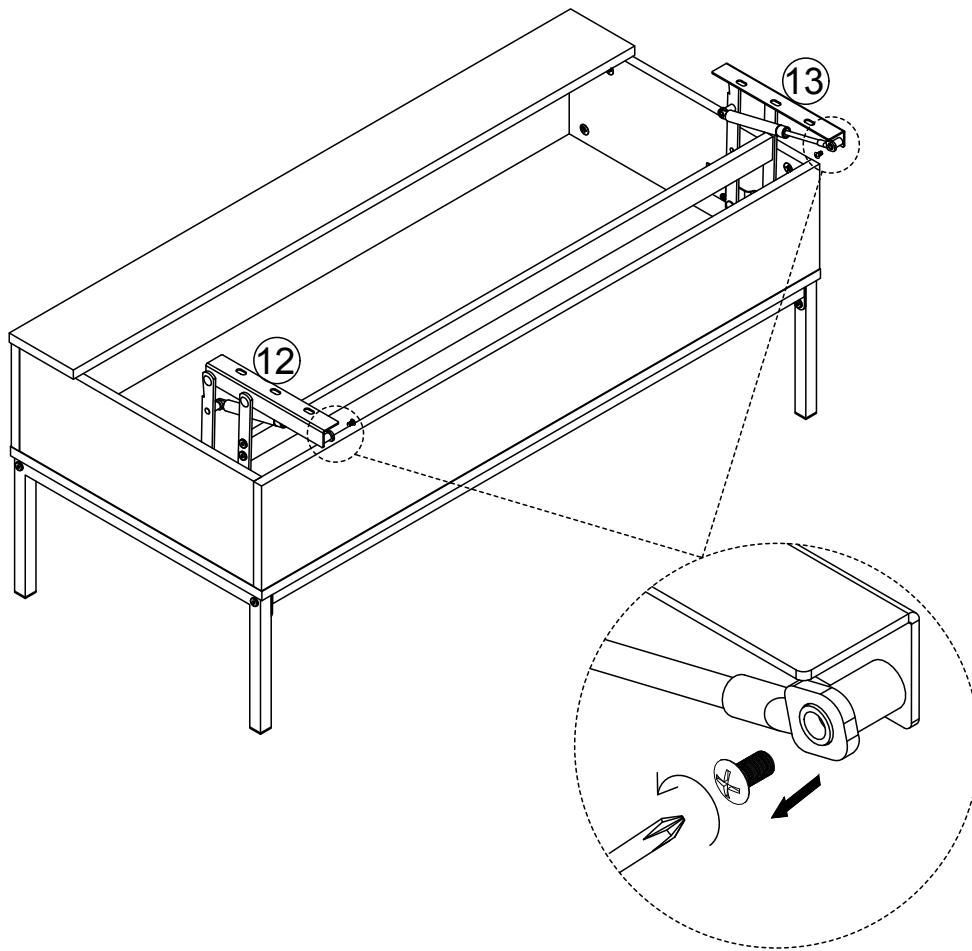
10. Attach the Lifting Support to the Lifting Devices.



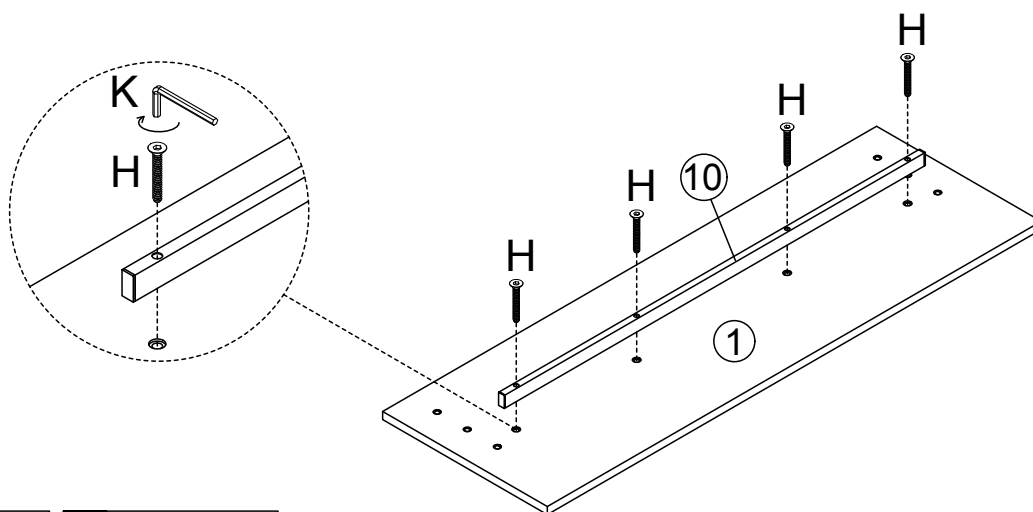
B	
M6*20mm Bolt	
4pcs	


K	
4mm Allen Key	
1pc	

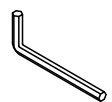
11.Undo the two Screws.



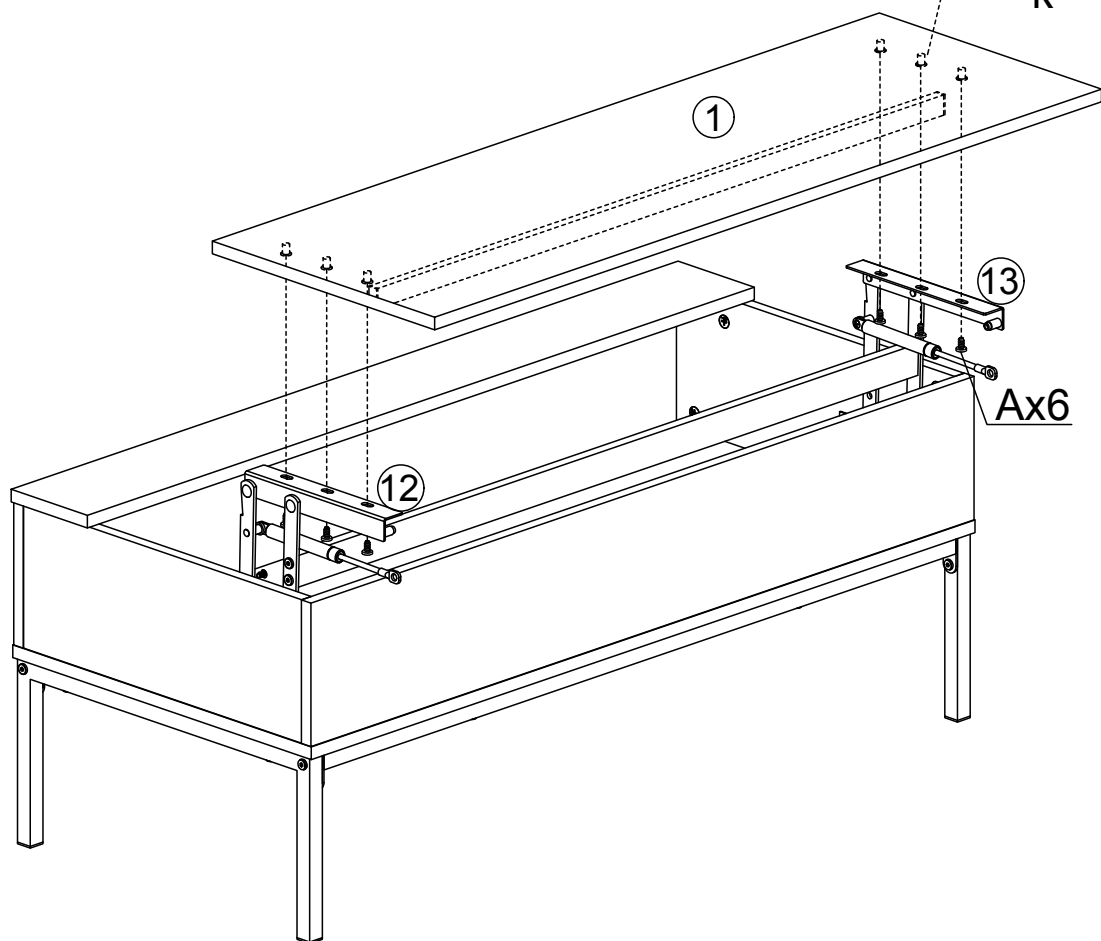
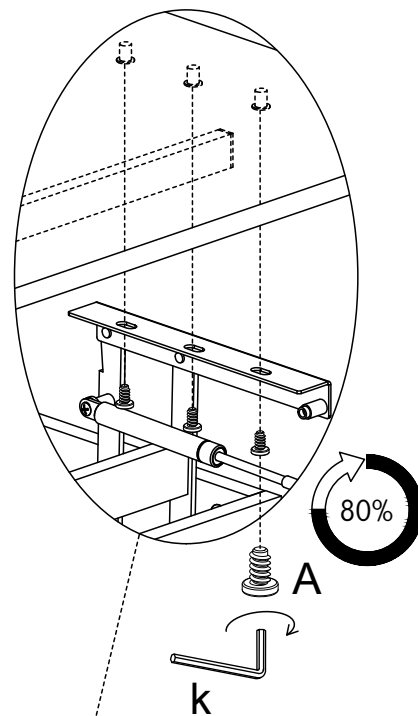
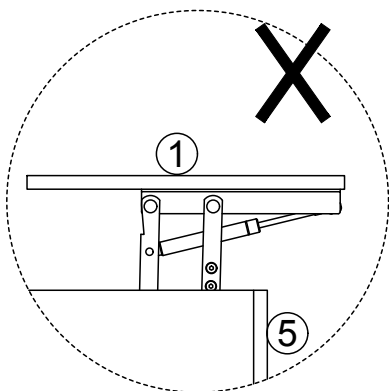
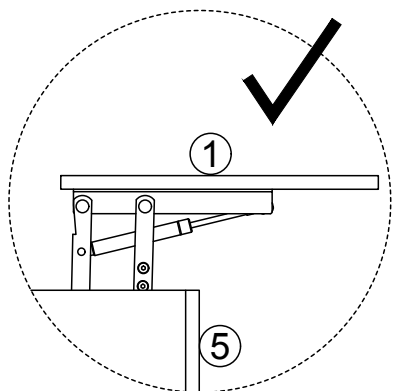
12.Attach the Support Bar to the Big Top.

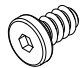


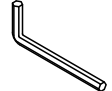
H	
M6*35mm Bolt	
4pcs	

K	
4mm Allen Key	
1pc	

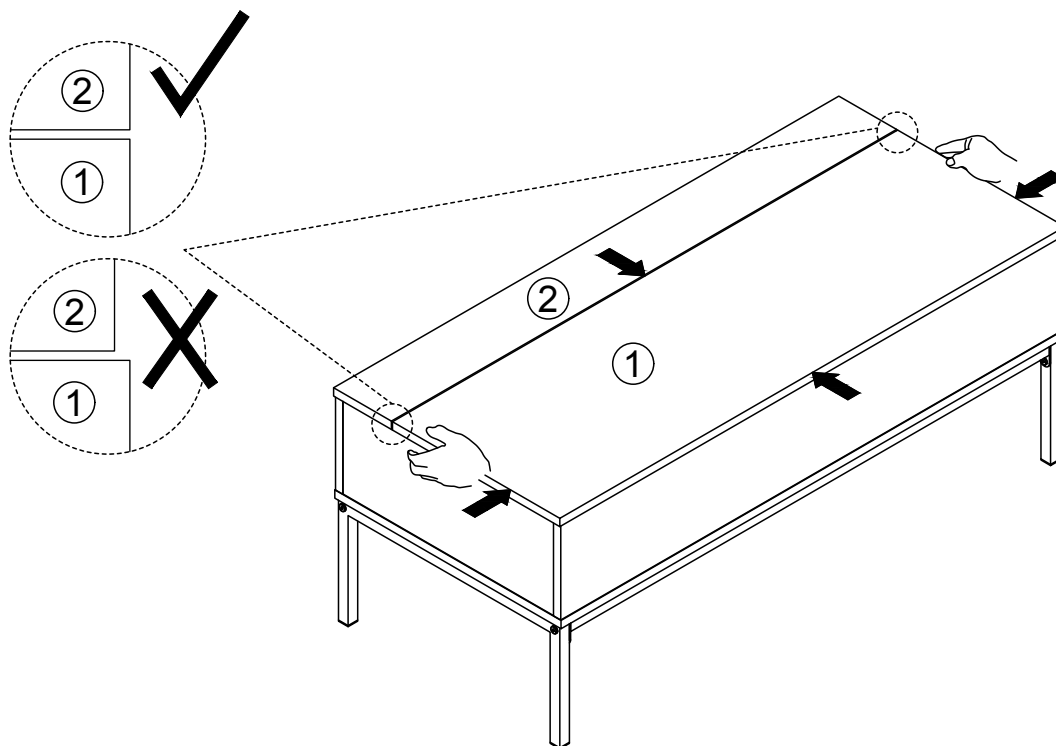
13. Attach the Big Top to the Lifting Devices.



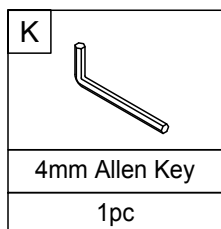
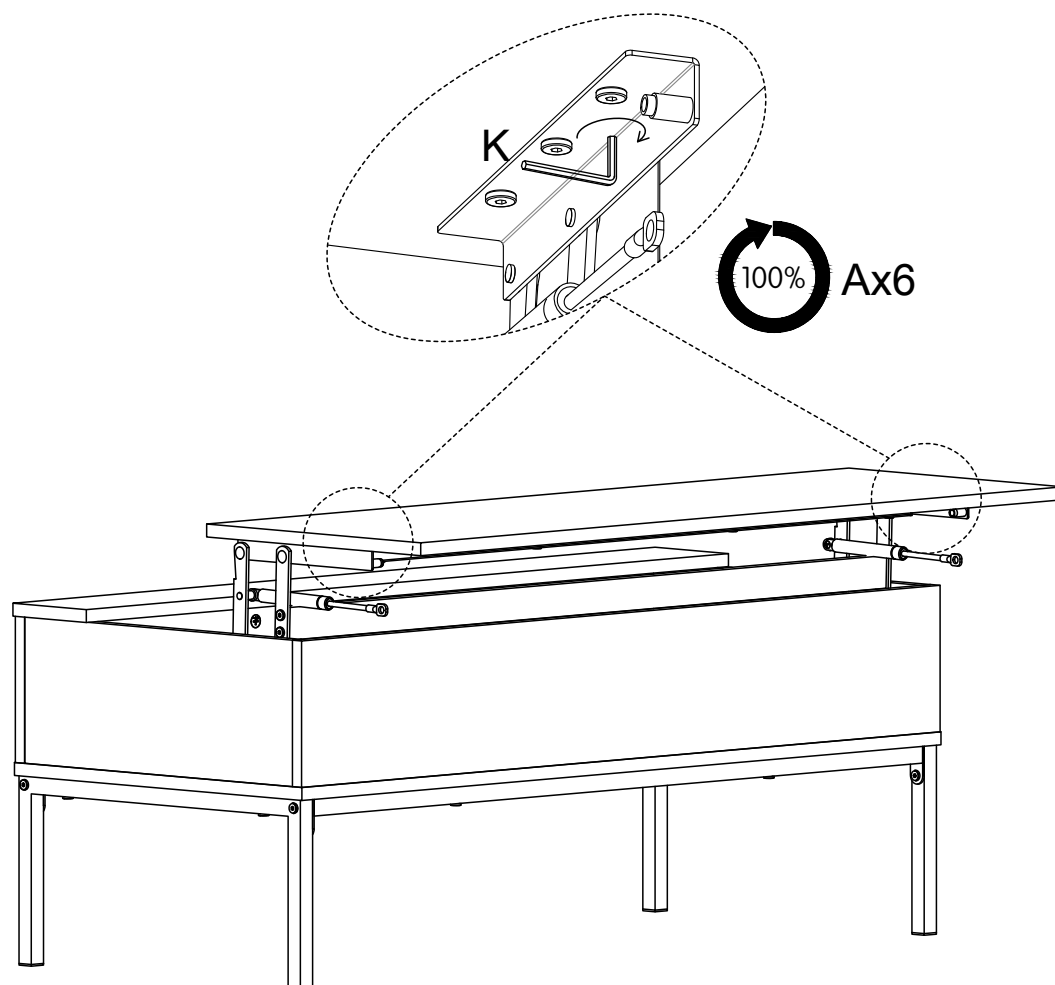
A	
M6*12mm Bolt	
6pcs	

K	
4mm Allen Key	
1pc	

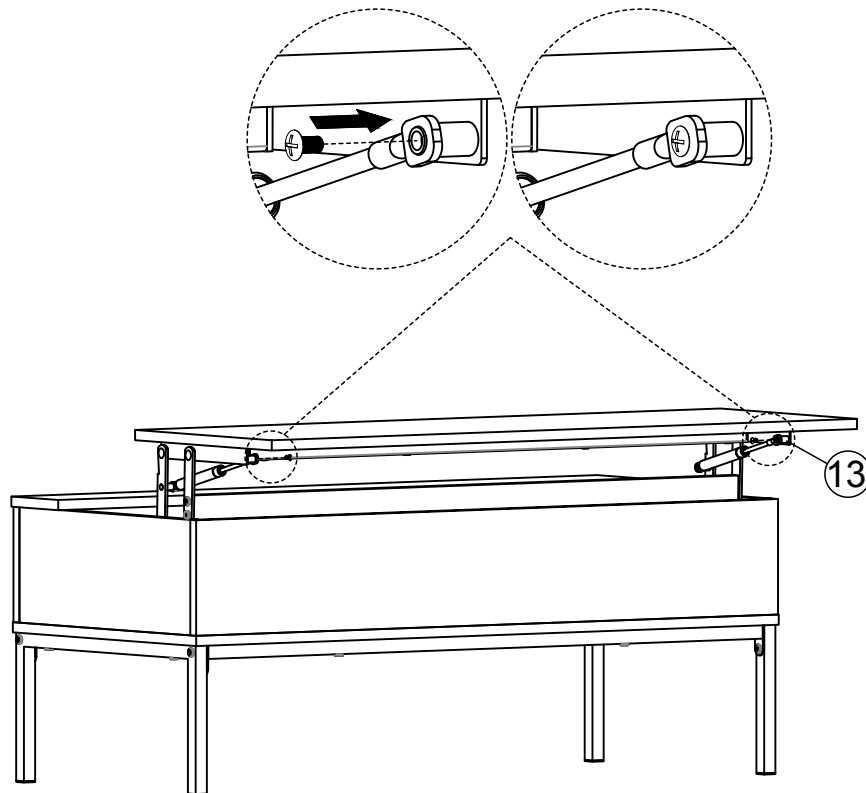
14. Align the two Tops.



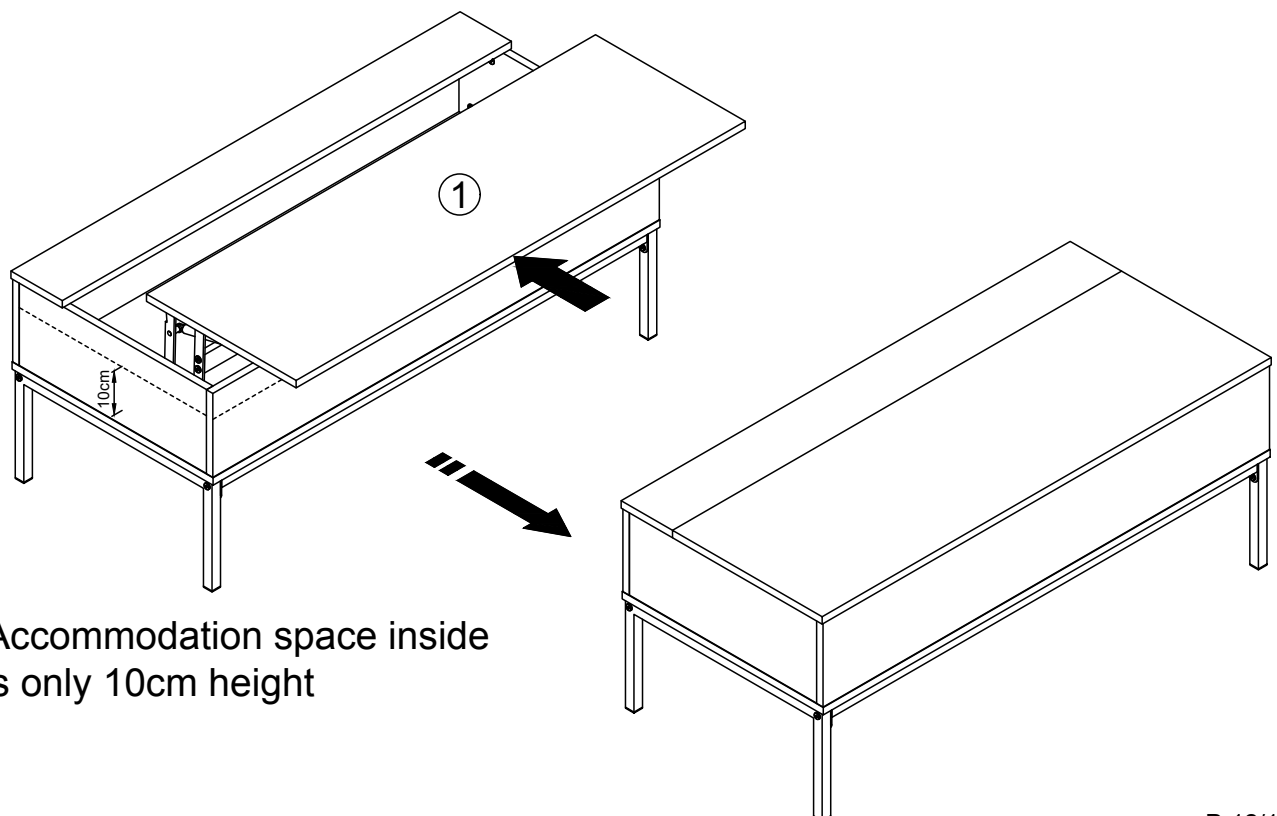
15. Tighten the Bolts fully.



16. Tighten the two Screws.



17. Slide the Big Top onto the Frame.



Accommodation space inside
is only 10cm height