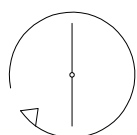
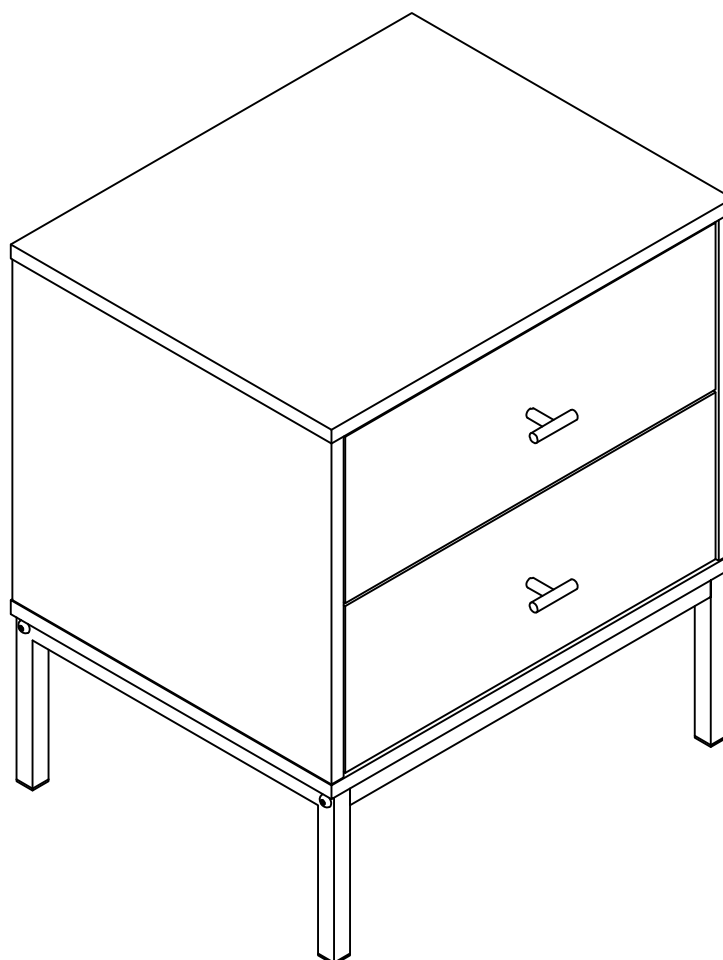
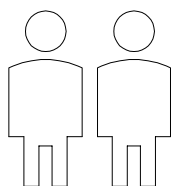


Willow Bedside



Up to 30 minutes
assembly time



Two person
assembly

This product is intended for domestic use only, not for commercial purposes.

IMPORTANT

ASSEMBLY TIP

Before you begin, it's best to identify all of the parts and fittings to build your Willow Bedside frame. We advise laying these out on the floor to check you have everything, and to familiarise yourself with all of the parts and fittings before building.

TOP TIP

We recommend that you assemble the Willow Bedside in the room you'd like it to be located. This will help prevent any risk of damage to the frame whilst moving it.

SAFETY AND CARE

It's important to ensure children and animals are kept away from the assembly area, as there are small components used in this product which could present a choking hazard. All plastic and wrapping materials should also be kept away from children and animals to prevent any risk of suffocation.

HELP AND SUPPORT

Please contact our customer service team on 0113 519 0311 if you have any questions or issues with your purchase.

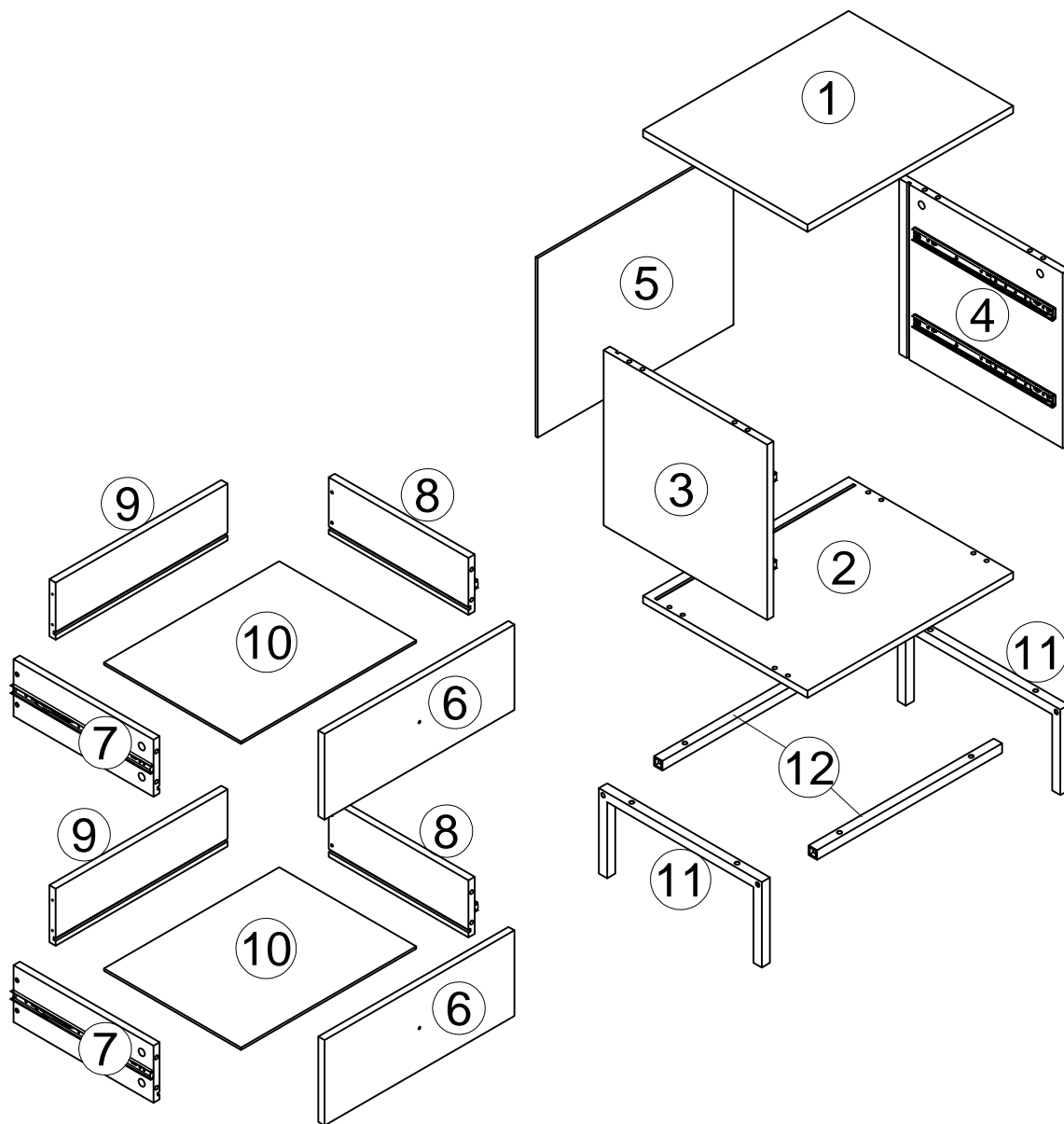
RECYCLING

Please ensure that packaging is disposed of in a safe and environmentally friendly way, and recycle where possible. Please keep your assembly instructions safe to refer back to in the future.

CARE AND MAINTENANCE:

1. Only clean using a damp cloth, do not use bleach or abrasive cleaners as they may damage the finish over time.
2. Do not use a very wet cloth or allow any liquid to contact with the veneer for a long period of time. Wipe any spillage immediately. Absorption can cause wood to warp or finishes to de-laminate.
3. Do not scrub or rub the surface when cleaning.
4. Do not drag the Willow Bedside when moving, lift it off the floor instead.
5. Use a placemat or a coaster when putting hot items (e.g. hot drinks and dishes) on the wood surface.
6. It is not recommended to place the item next to sources of heat such as radiators, fires or directly exposed to sunlight. This may cause the wood to crack, split or fade due to the heat and humidity.
7. Wood will mellow and change colour over time, we recommend that ornaments and items placed on the surface to be moved regularly to prevent uneven mellowing.
8. Regularly check all fixings to ensure none have come loose. Re-tighten if necessary.
9. Avoid sharp items such as a screwdriver or any pointy tools.
10. Dispose of all packaging carefully and responsibly - recycle where possible.

Parts list



Parts list


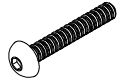
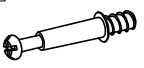




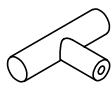



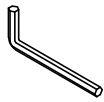


Before you begin building your Willow Bedside, please take a moment to read through the instructions and make sure that you have all the relevant parts listed on the parts check list.

Part Number	Part Description	Quantity	Box No
①	Bedside Top	1 pc	Box 1
②	Bottom Panel	1 pc	Box 1
③	Left Side Panel	1 pc	Box 1
④	Right Side Panel	1 pc	Box 1
⑤	Back Panel	1 pc	Box 1
⑥	Drawer Front	2 pcs	Box 1




Part Number	Part Description	Quantity	Box No
⑦	Drawer Left Side	2 pcs	Box 1
⑧	Drawer Right Side	2 pcs	Box 1
⑨	Drawer Back Side	2 pcs	Box 1
⑩	Drawer Bottom	2 pcs	Box 1
⑪	Leg	2 pcs	Box 1
⑫	Leg Support	2 pcs	Box 1

Fittings

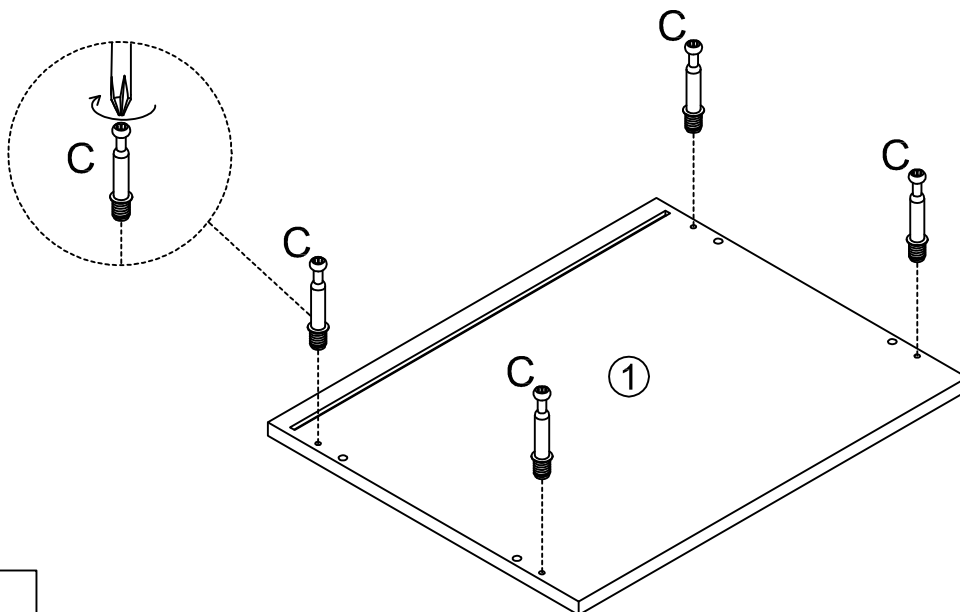
Please check you have all the fittings listed below with your product in Box 1.


A 	B 	C 	D 	E 	F 
M6*30mm Bolt 8pcs+1pc extra	M6*40mm Bolt 4pcs	M6*35mm Bolt 12pcs+2pcs extra	Ø15mm Cam lock 12pcs+2pcs extra	Ø7.8*30mm Dowel 8pcs+1pcs extra	M7*48mm Screw 4pcs
G 	H 	I 	J 	K 	L 
M4*35mm Screw 8pcs+1pc extra	Handle 2pcs	M4*20mm Bolt 2pcs	Plastic Buckle 4pcs	M3.5*14mm Screw 4pcs	Allen Key 1pc
M 	N 				
Ø20mm Sticker 8pcs+1pc extra	340 Slide Pre-assembled 4pcs				

Pre-assembled Fittings.

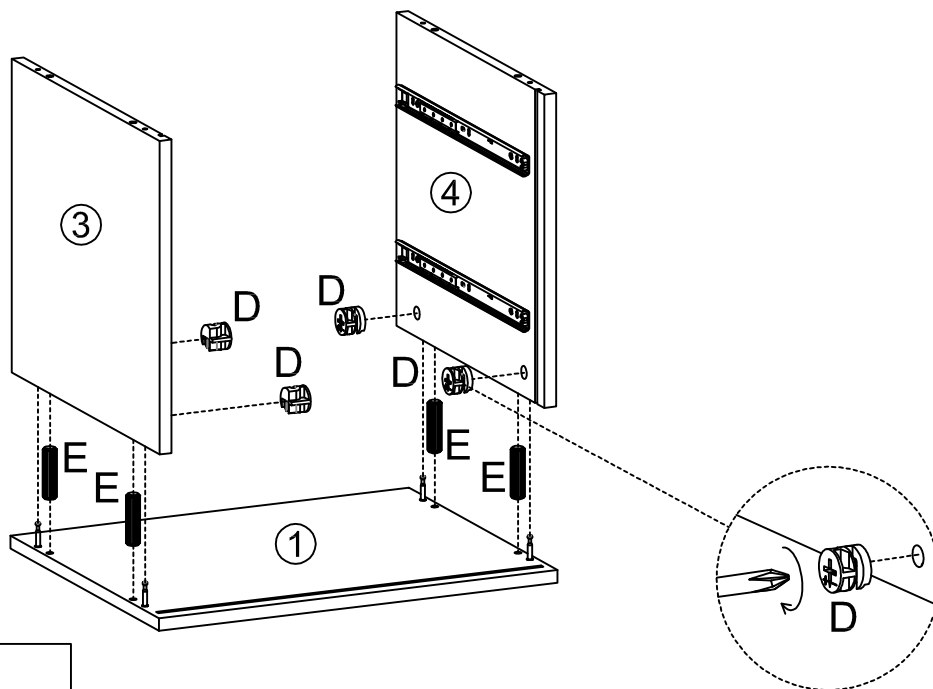
N1 	N2 	K 
Slide 4pcs	Slide 4pcs	M3.5*14mm Screw 16pcs


1. Attach parts to the Bedside Top.




C	
M6*35mm Bolt	
4pcs	

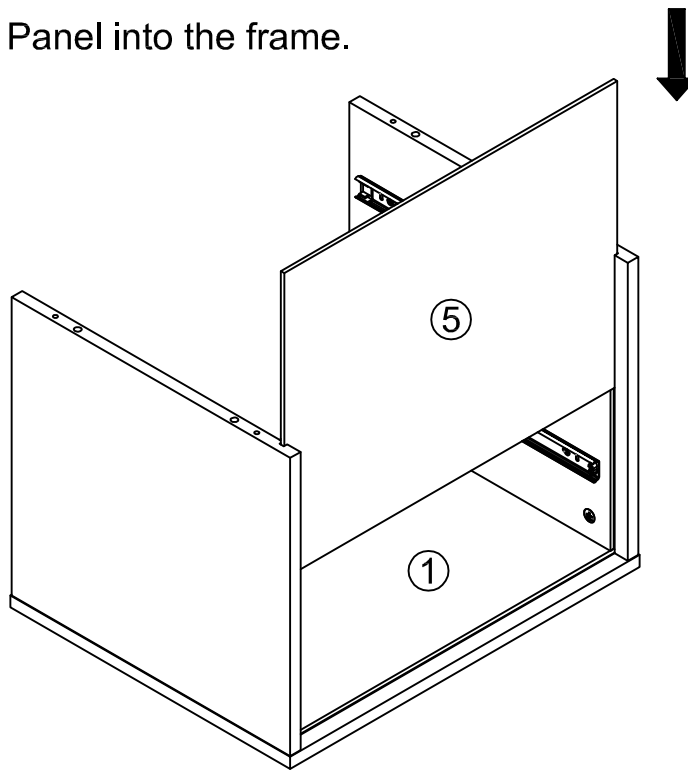
2. Attach the Side Panels to the Bedside Top.



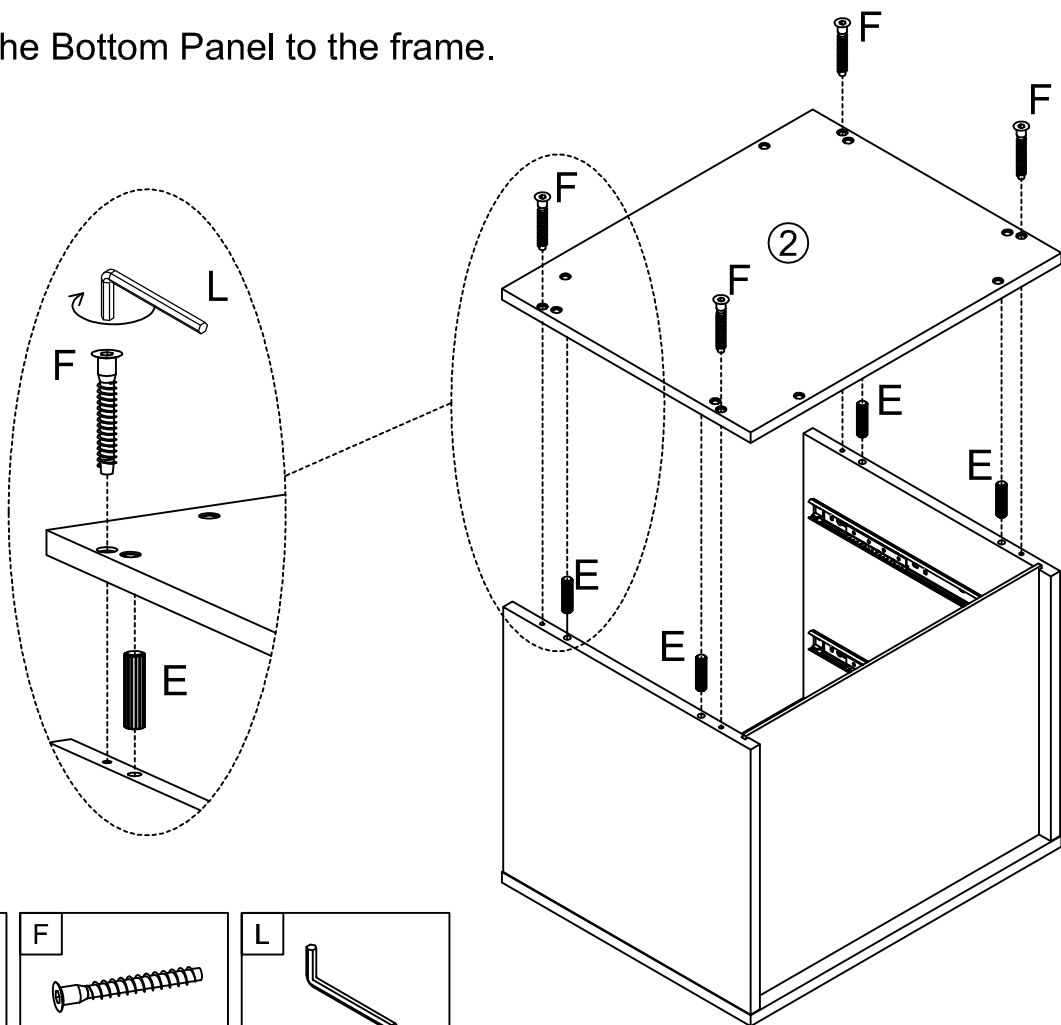
D	
Ø15mm Cam lock	
4pcs	



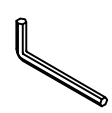
E	
Ø7.8*30mm Dowel	
4pcs	

3. Slide the Back Panel into the frame.

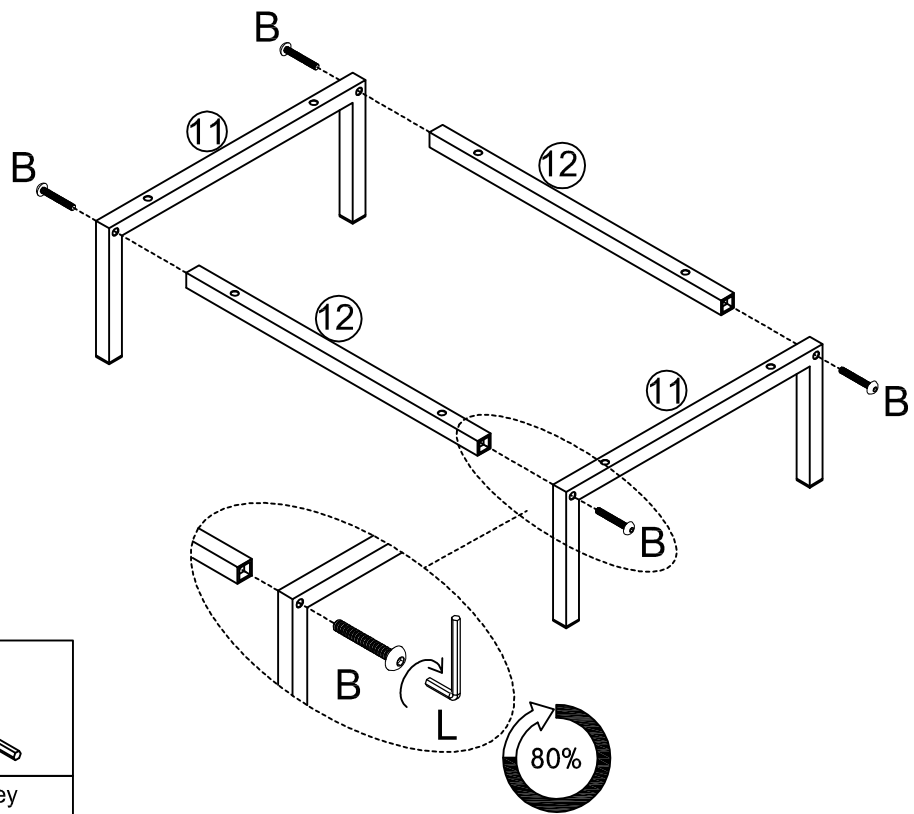


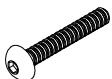
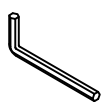
4. Attach the Bottom Panel to the frame.



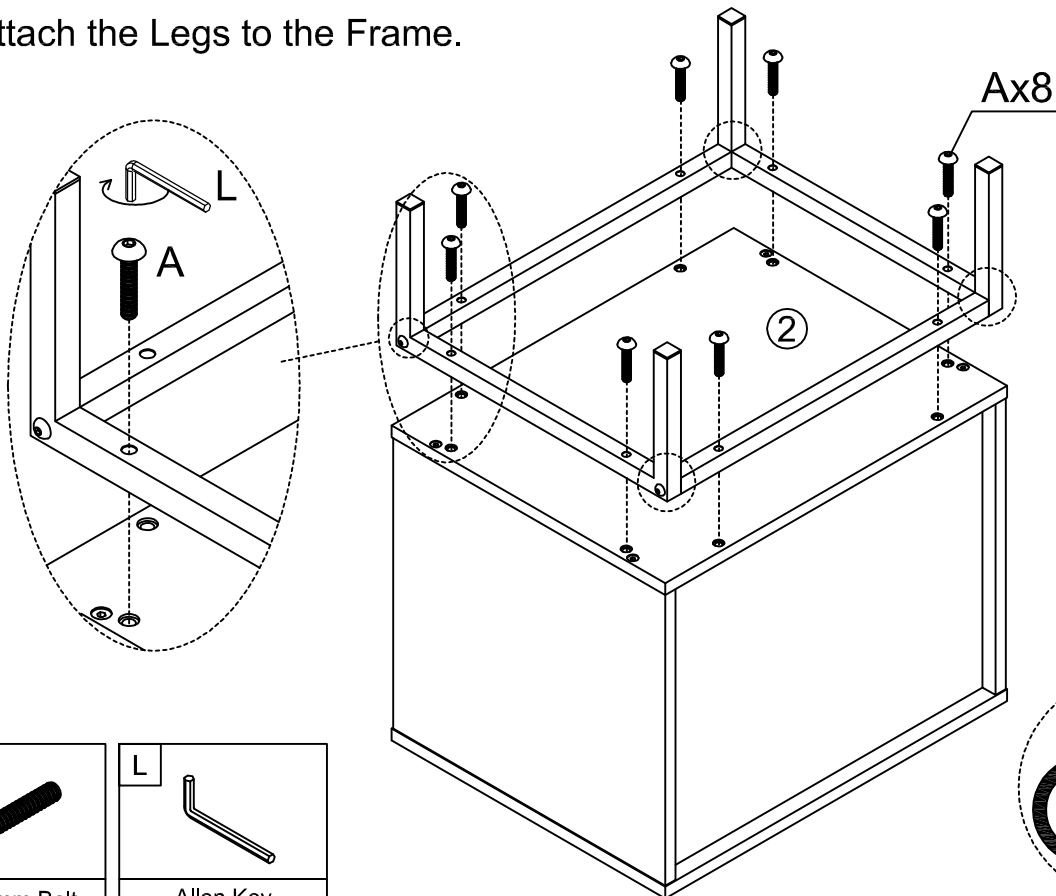
<p>E</p> 	<p>F</p> 	<p>L</p> 
<p>Ø7.8*30mm Dowel 4pcs</p>	<p>M7*48mm Screw 4pcs</p>	<p>Allen Key 1pc</p>


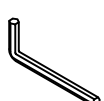
5. Attach the Leg Supports to the Legs.

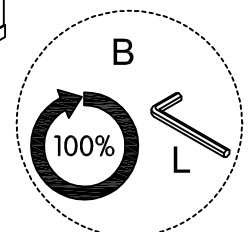


B		L	
M6*40mm Bolt		Allen Key	
4pcs		1pc	

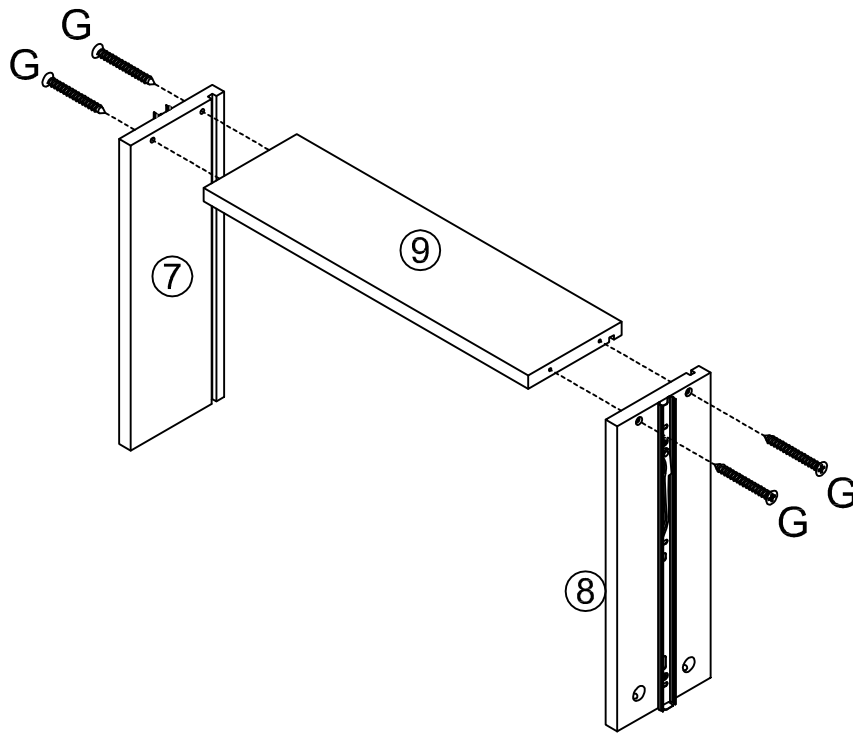
6. Attach the Legs to the Frame.




A		L	
M6*30mm Bolt		Allen Key	
8pcs		1pc	



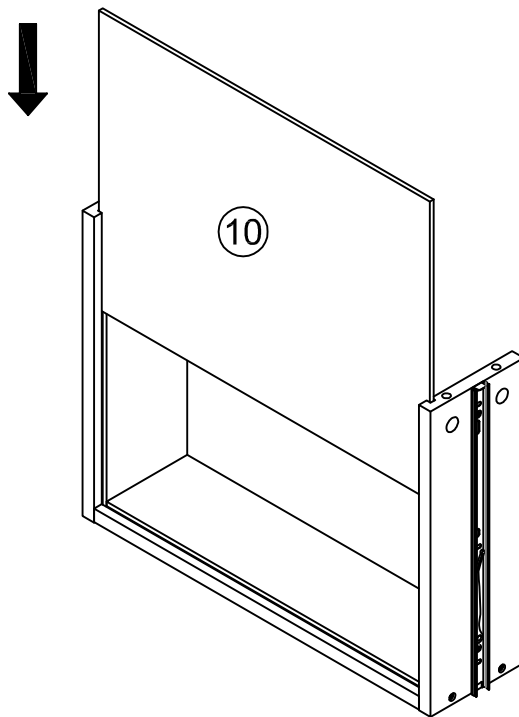
7. Assemble the Drawers.



G

M4*35mm Screw
8pcs

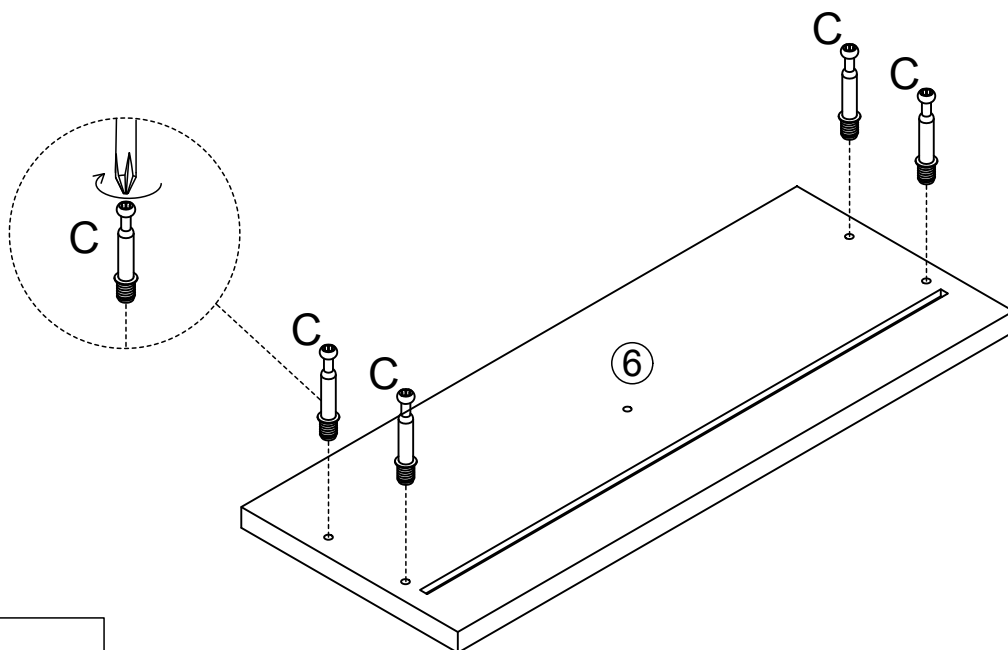
X2

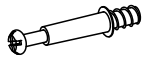
8. Slide the Drawer Bottom into the Drawer.



X2

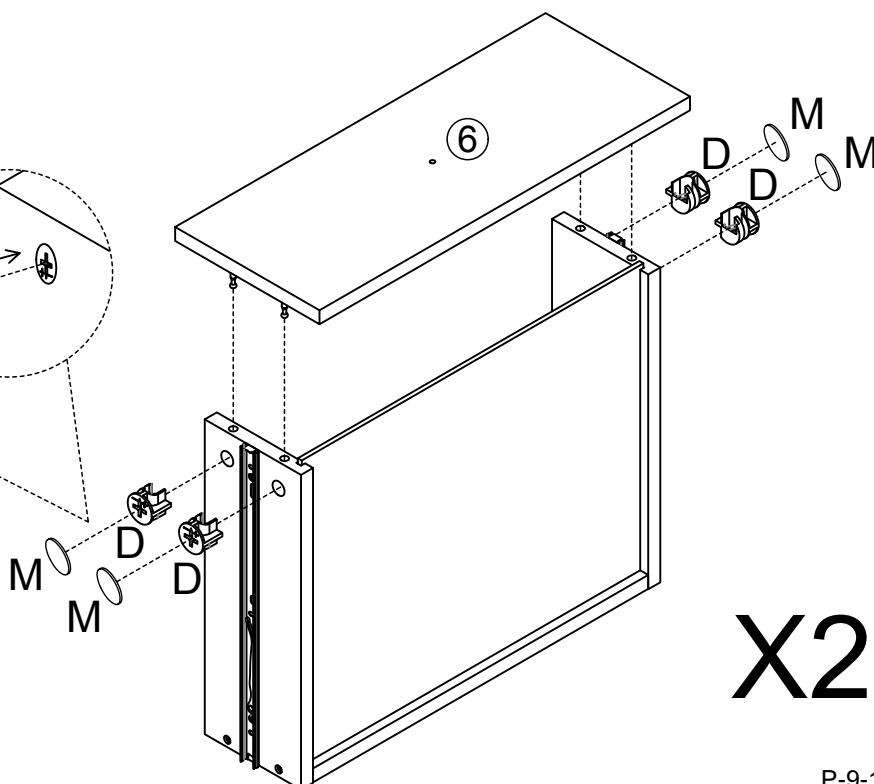
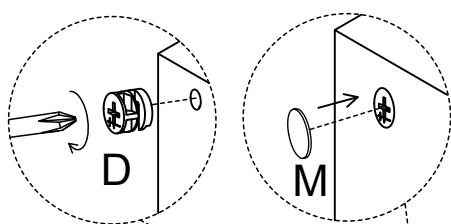
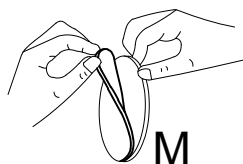
9. Attach Bolts to the Drawer Front.





C	
M6*35mm Bolt	
8pcs	

X2

10. Attach the Drawer Front and tighten the CAM Locks.

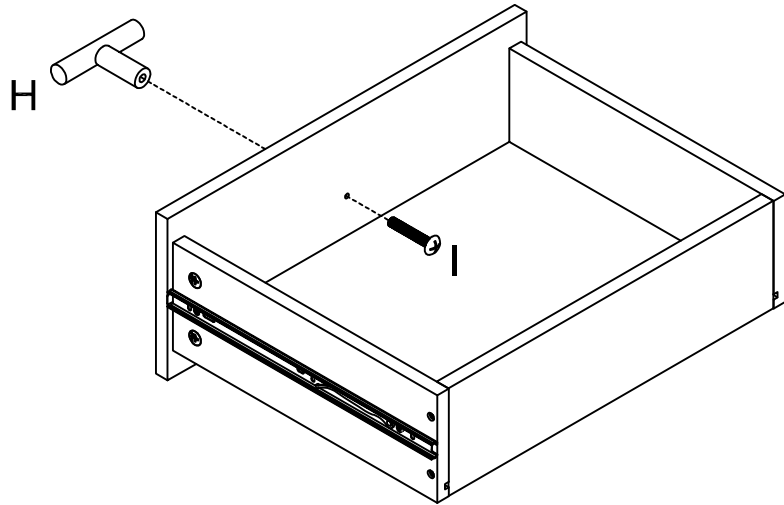


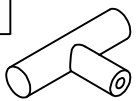

D	
Ø15mm Cam lock	
8pcs	

M	
Ø20mm Sticker	
8pcs+1pc extra	

X2

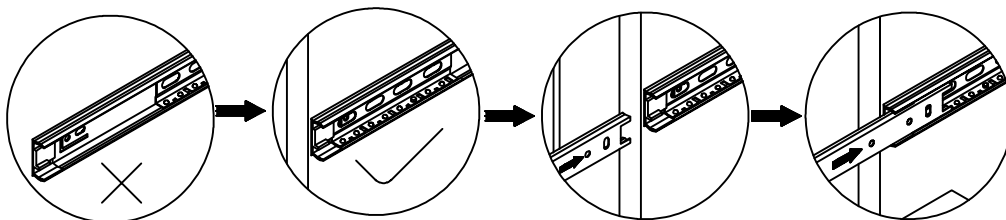
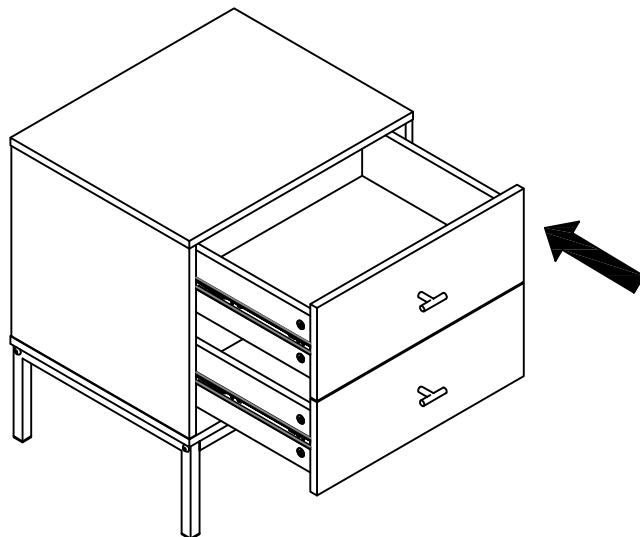
11. Attach the Handle.



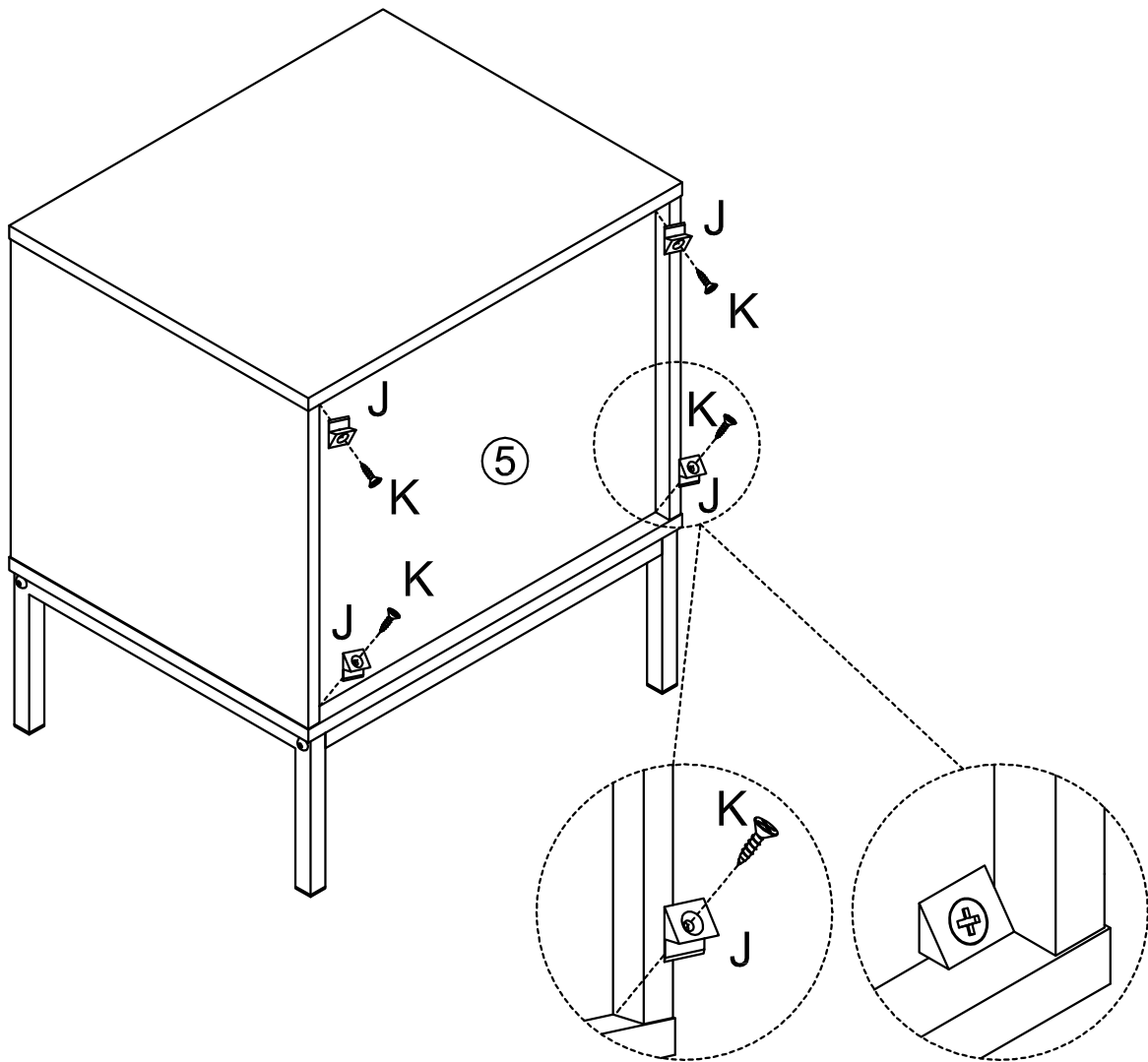
H 	I 
Handle	M4*20mm Bolt
2pcs	2pcs



X2

12. Slide the Drawers into the Frame.



13. Attach the Plastic Buckles.



J		K	
Plastic Buckle		M3.5*14mm Screw	
4pcs		4pcs	