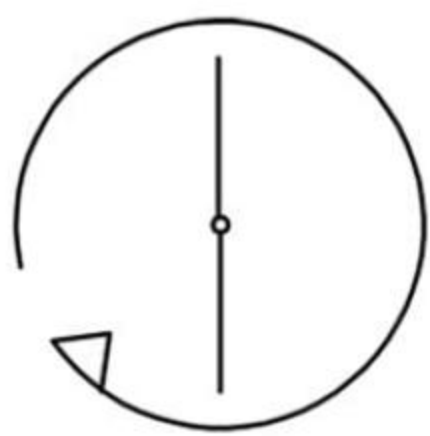
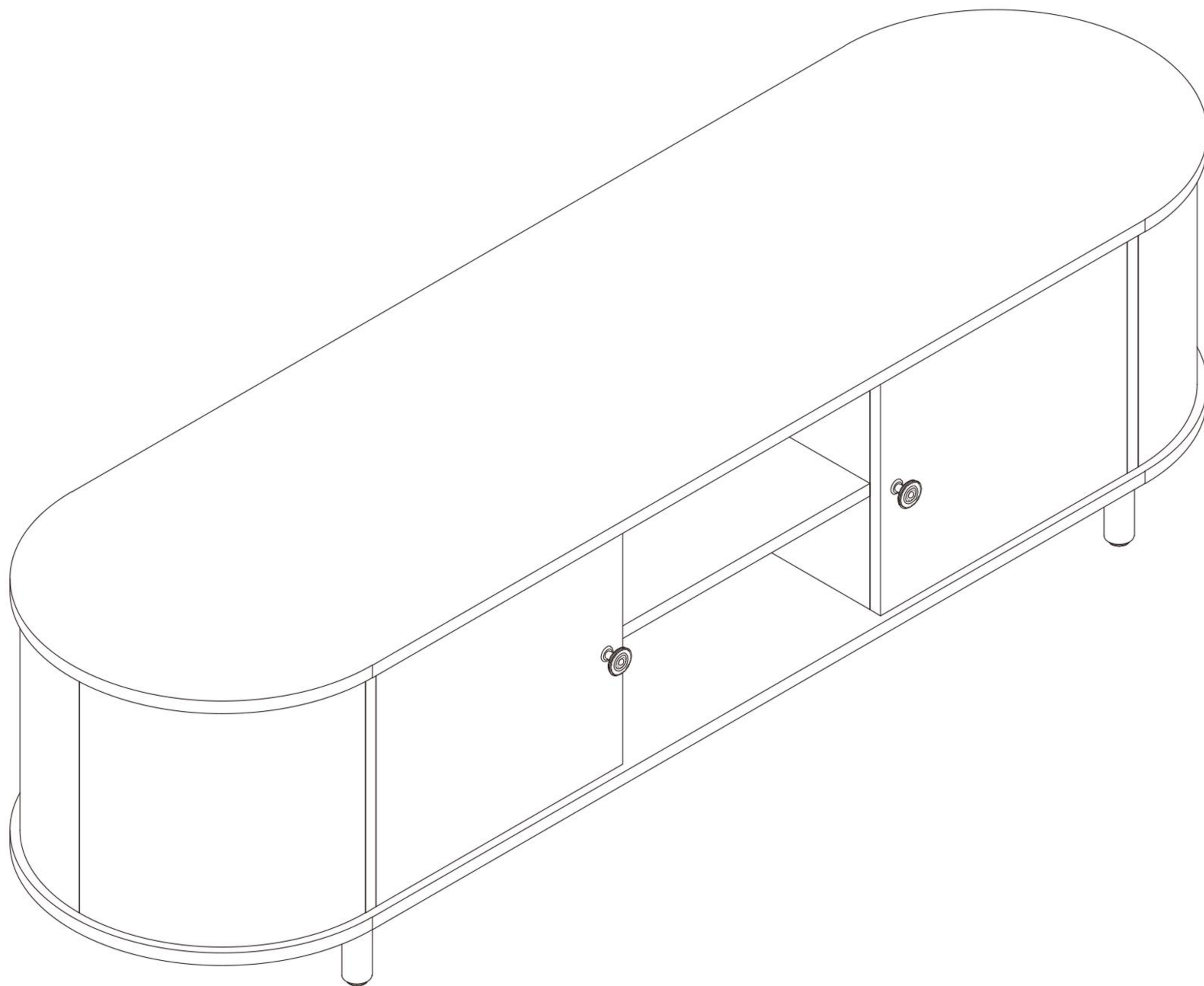
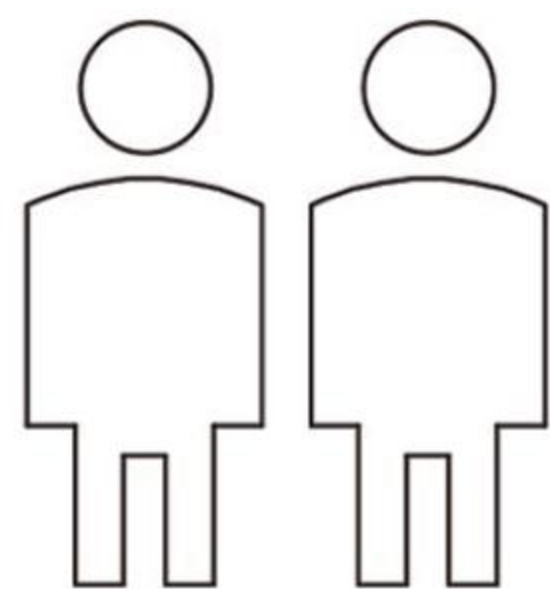


## Tv Unit



Up to 60 minutes  
assembly time



Two person  
assembly



Electric screwdriver  
prohibited

This product is intended for domestic use only, not for commercial purposes.

# IMPORTANT

## ASSEMBLY TIP

Before you begin, it's best to identify all of the parts and fittings to build your tv unit frame. We advise laying these out on the floor to check you have everything, and to familiarise yourself with all of the parts and fittings before building.

## TOP TIP

We recommend that you assemble the tv unit in the room you'd like it to be located. This will help prevent any risk of damage to the frame whilst moving it.

## SAFETY AND CARE

1. It's important to ensure children and animals are kept away from the assembly area, as there are small components used in this product which could present a choking hazard. All plastic and wrapping materials should also be kept away from children and animals to prevent any risk of suffocation.
2. Always use the item on a firm, level ground, ensuring all legs remain in contact with the ground.
3. Do not use on an uneven floor.
4. Do not set heavy items in the lowest drawers.
5. Place televisions or heavy objects on top of the product.
6. Children should always be under supervision whilst using this product. Never allow children to climb on the drawers.
7. Never open more than one drawer open at the same time.
8. In order to prevent overtipping, this product must be used with the wall attachment device provided.
9. Serious and startup crushing injuries can occur from tipping furniture.

## HELP AND SUPPORT

Please contact our customer service team on 0115 319 0311 if you have any questions or issues with your purchase.

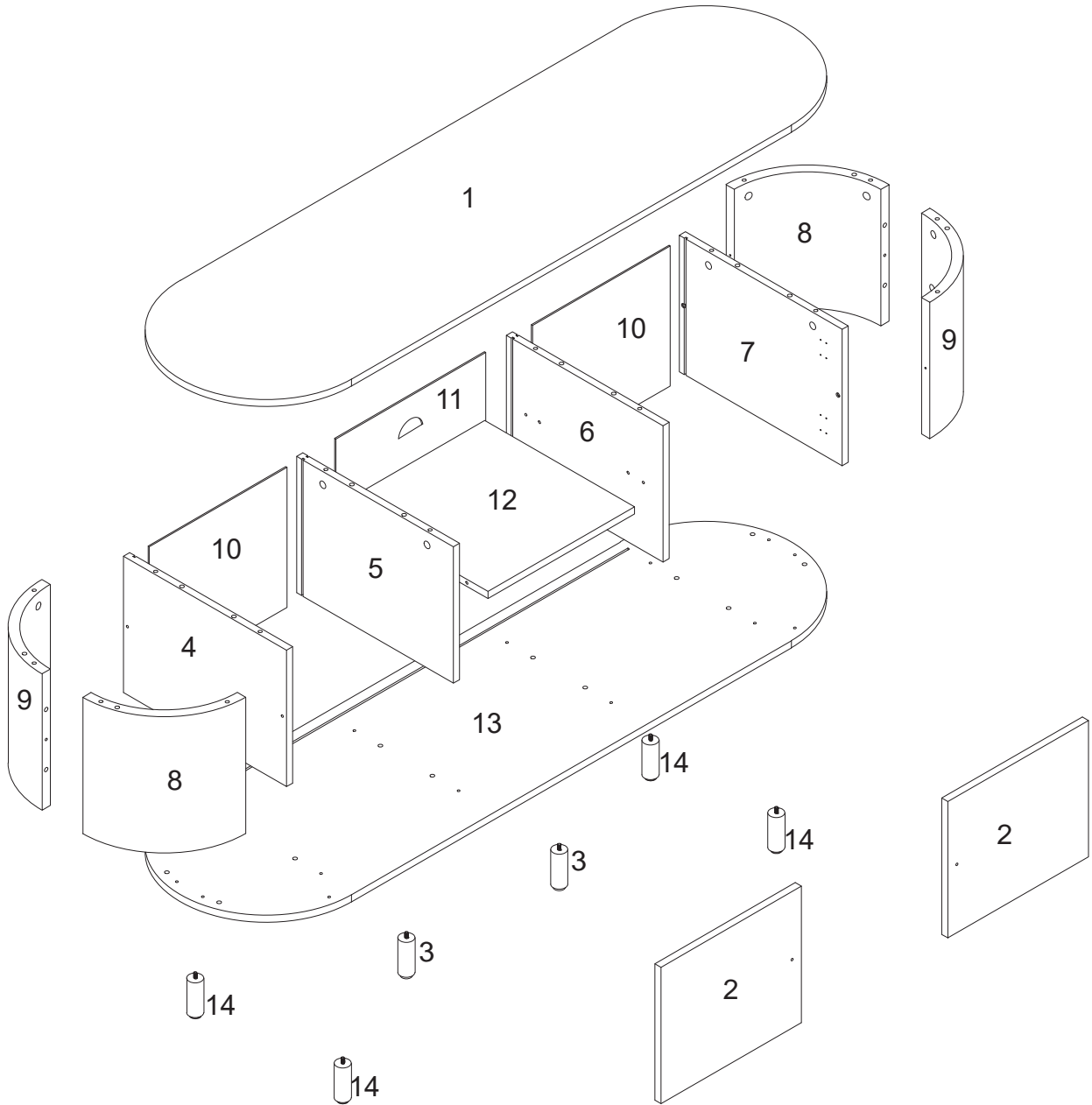
## RECYCLING

Please ensure that packaging is disposed of in a safe and environmentally friendly way, and recycle where possible. Please keep your assembly instructions safe to refer back to in the future.

## CARE AND MAINTENANCE

1. Only clean using a damp cloth, do not use bleach or abrasive cleaners as they may damage the finish over time.
2. Do not use a very wet cloth or allow any liquid to contact with the surface for a long period of time. Wipe any spillage immediately. Absorption can cause wood to warp or finishes to de-laminate.
3. Do not scrub or rub the surface when cleaning.
4. Do not drag the tv unit when moving, lift it off the floor instead.
5. Use a placemat or a coaster when putting hot items (e.g. hot drinks and dishes) on the wood surface.
6. It is not recommended to place the item next to sources of heat such as radiators, fires or directly exposed to sunlight. This may cause the wood to crack, split or fade due to the heat and humidity.
7. Wood will mellow and change colour over time, we recommend that ornaments and items placed on the surface be moved regularly to prevent uneven mellowing.
8. Regularly check all fixings to ensure none have come loose. Re-tighten if necessary.
9. Avoid sharp items such as a screwdriver or any pointy tools.

# Parts list













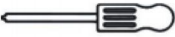

# Parts list

Before you begin building your tv unit, please take a moment to read through the instructions and make sure that you have all the relevant parts listed on the parts check list.

Part Number	Part Description	Quantity	Box No
1	Top Panel	1 pc	Box 1
2	Door	2 pcs	Box 1
3	Support foot	2 pcs	Box 1
4	Left middle partition	1 pc	Box 1
5	Middle panel	1 pc	Box 1
6	Middle panel	1 pc	Box 1
7	Right middle partition	1 pc	Box 1
8	Right side plate	2 pcs	Box 1
9	Right side plate	2 pcs	Box 1
10	Back Panel	2 pcs	Box 1
11	Back Panel	1 pc	Box 1
12	Fixed layer plate	1 pc	Box 1
13	Bottom Panel	1 pc	Box 1
14	Leg	4 pcs	Box 1

# Fittings Checklist

Please check you have all the fittings listed below with your product in Box 1.

<p><b>A</b></p>  <p>M6x35mm Cam Bolt x22 pcs(+3 extra)</p>	<p><b>B</b></p>  <p>Ø15x9mm Cam Lock x22pcs(+3 extra)</p>	<p><b>C</b></p>  <p>Ø8x30mm Wood Dowel x32pcs(+4 extra)</p>
<p><b>D</b></p>  <p>M4x40mm Screw x20 pcs(+2 extra)</p>	<p><b>E</b></p>  <p>M4x14mm Screw x24pcs(+2 extra)</p>	<p><b>F</b></p>  <p>Plastic Buckle x12pcs(+2 extra)</p>
<p><b>G</b></p>  <p>M3x14mm Screw x12pcs(+2 extra)</p>	<p><b>H</b></p>  <p>Hinge x4pcs</p>	<p><b>I</b></p>  <p>Cover x10pcs(+2 extra)</p>
<p><b>J</b></p>  <p>M4x18mm Bolt x2pcs</p>	<p><b>K</b></p>  <p>Screwdriver x1pc</p>	<p><b>L</b></p>  <p>Handle x2pcs</p>

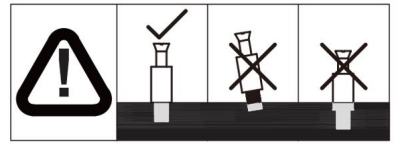
Bolt Length Ruler:





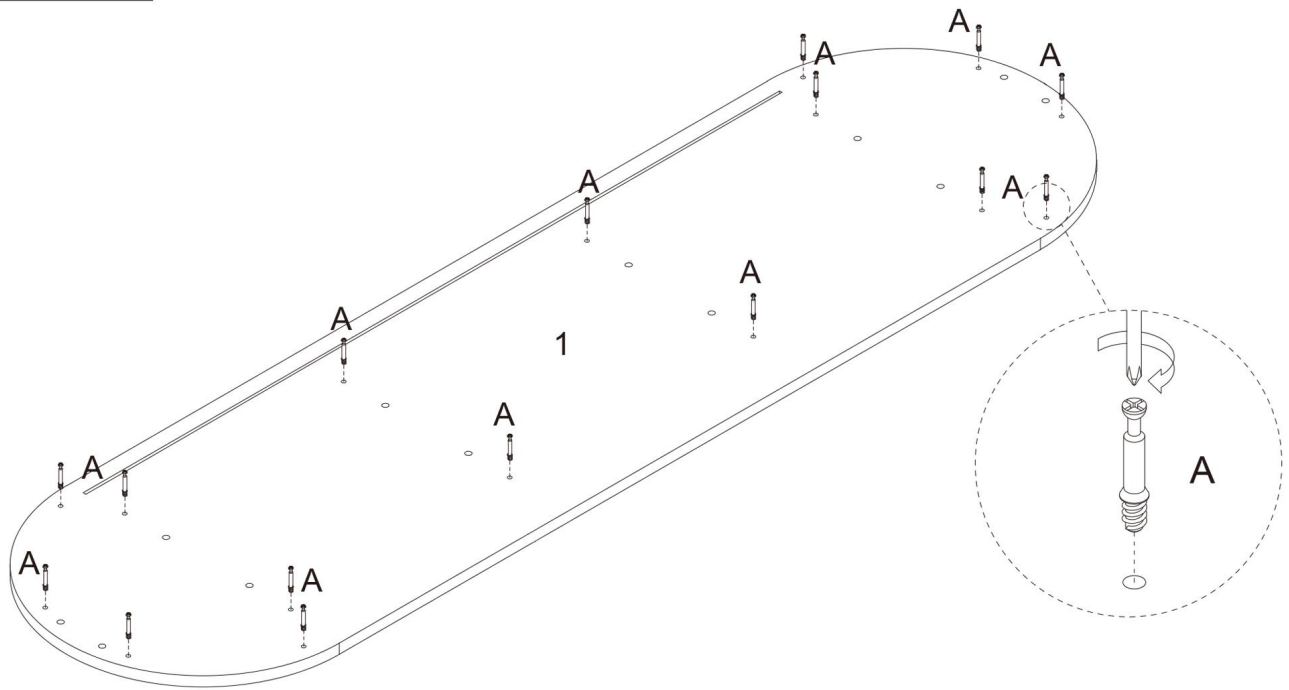
Tool required



Step 1: Install the eccentric rod A onto panels 1.  
Fix the door latch O to the panel 1 with screw G.

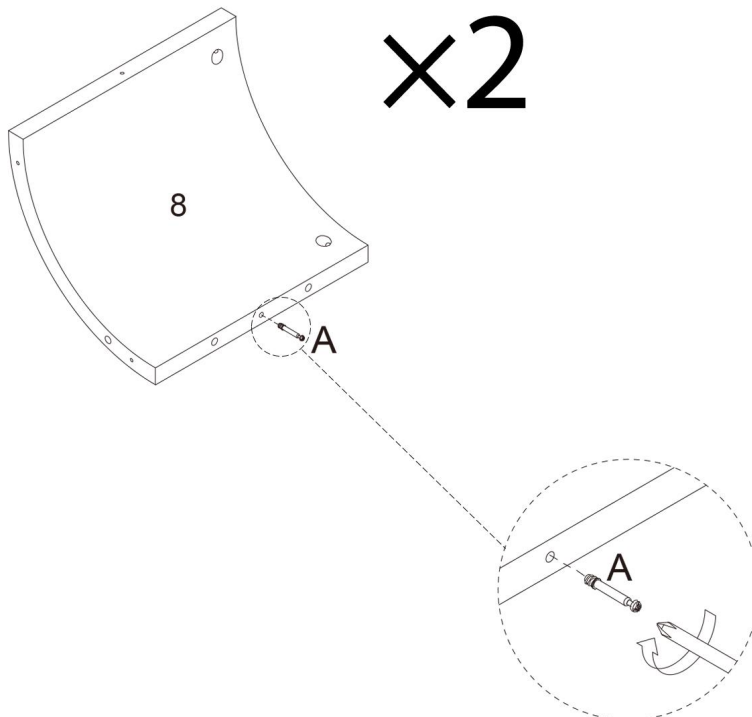


- (A)  16pcs
- (K)  1pc

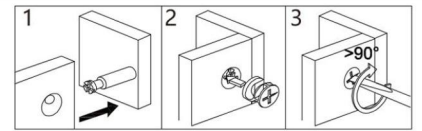


Step 2: Install the eccentric rod A onto panels 8.

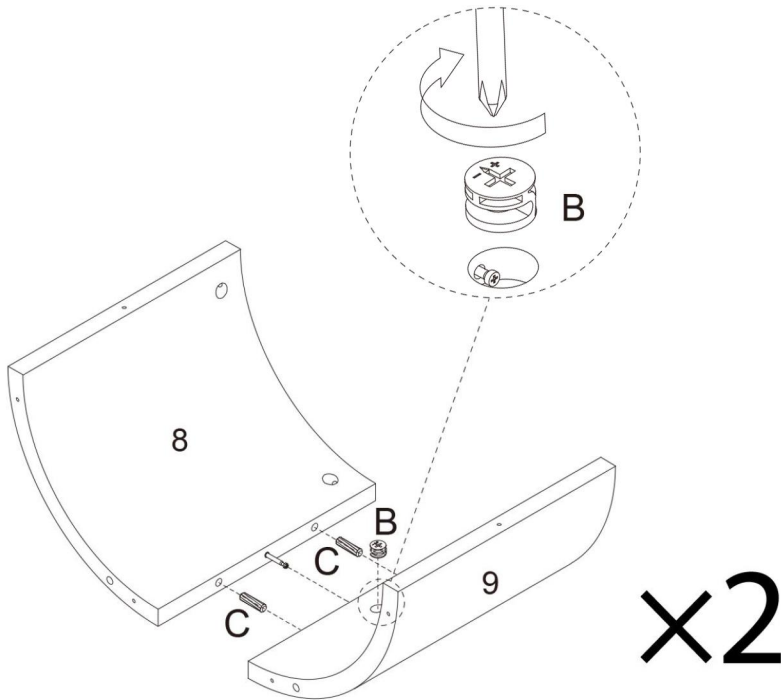
- (A)  2pcs



Step 3: Connect panels 8 to panel 9 with wooden tenon C, and then turn eccentric wheel B clockwise to tighten.

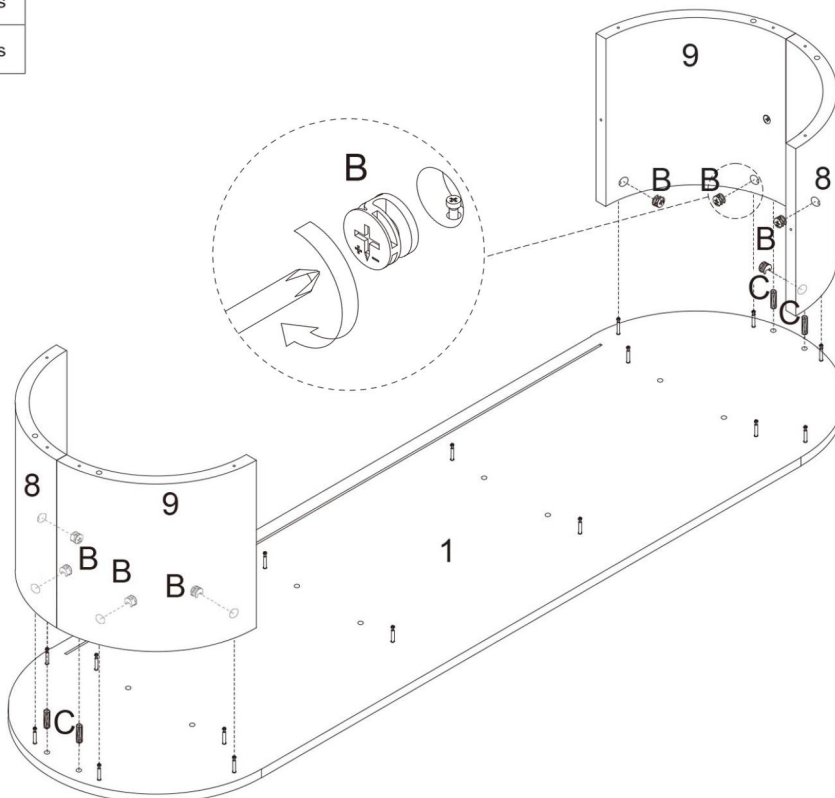


B		2pcs
C		4pcs

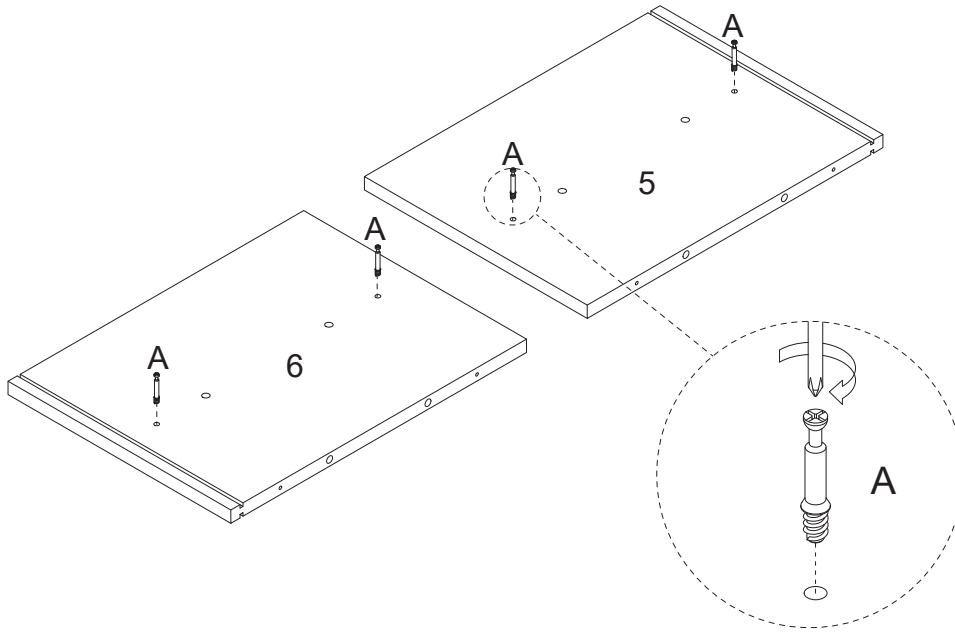
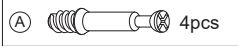


Step 4: Connect panels 8&9 to panel 1 with wooden tenon C, and then turn eccentric wheel B clockwise to tighten.

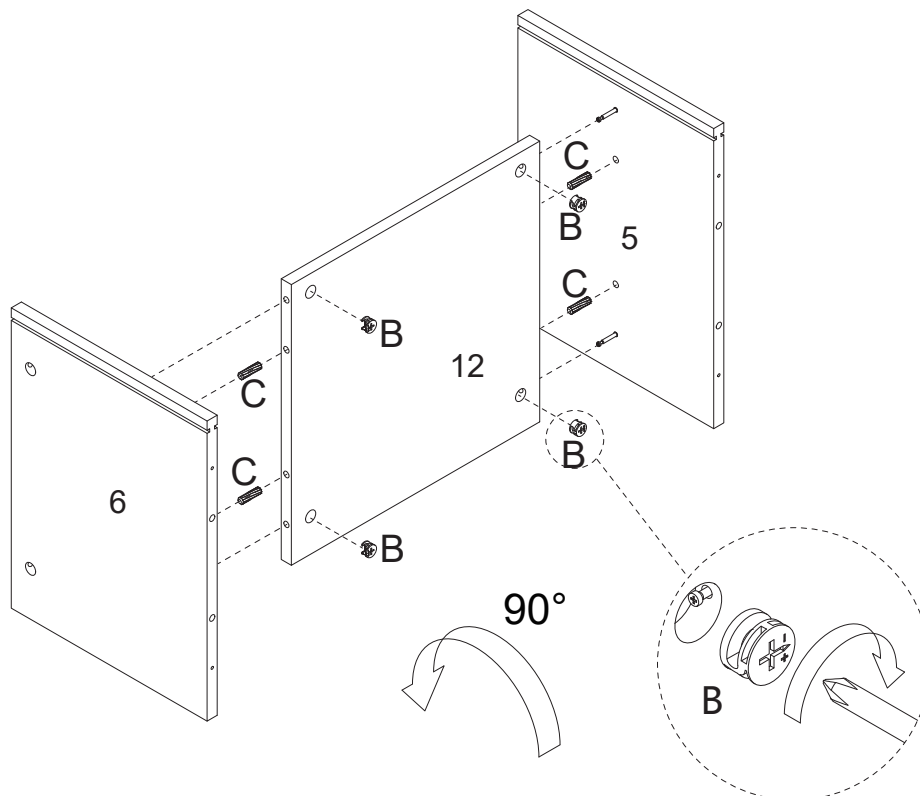
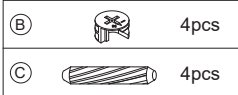
B		8pcs
C		4pcs






Step 5: Install the eccentric rod A onto panels 5&6.

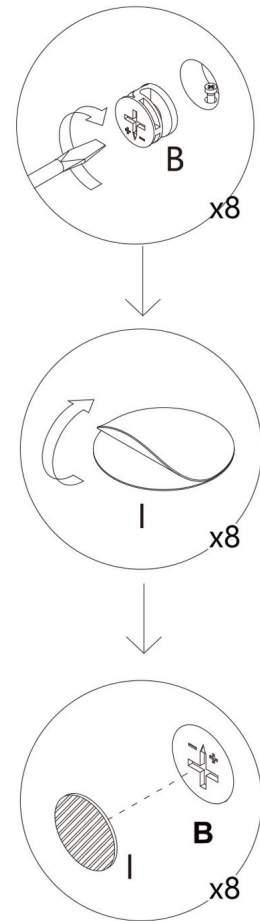
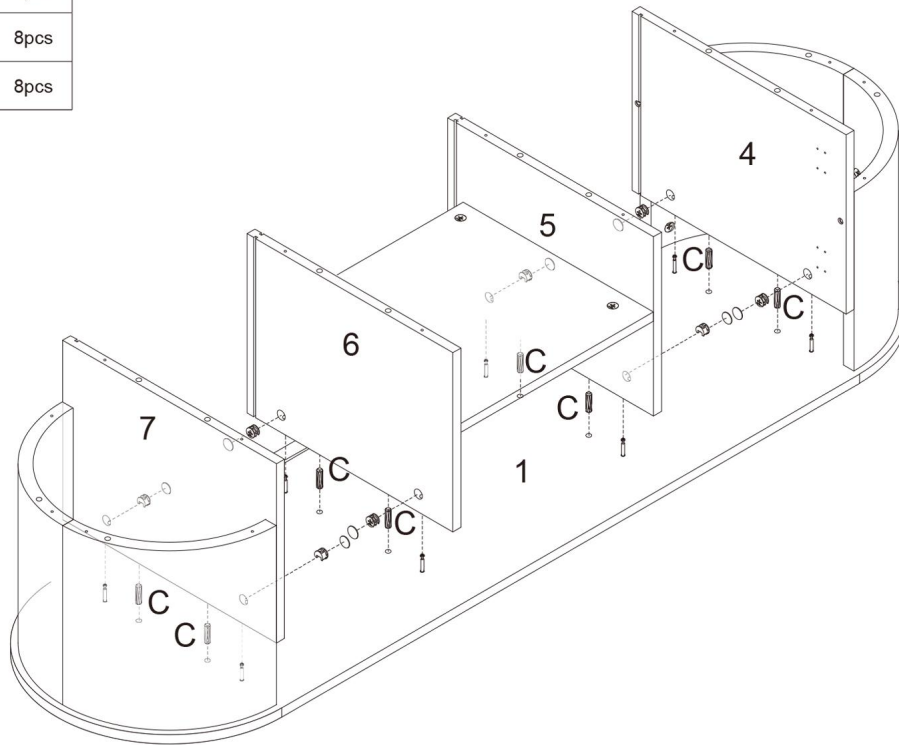


Step 6: Connect panels 5&6 to panel 12 with wooden tenon C, and then turn eccentric wheel B clockwise to tighten.

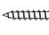



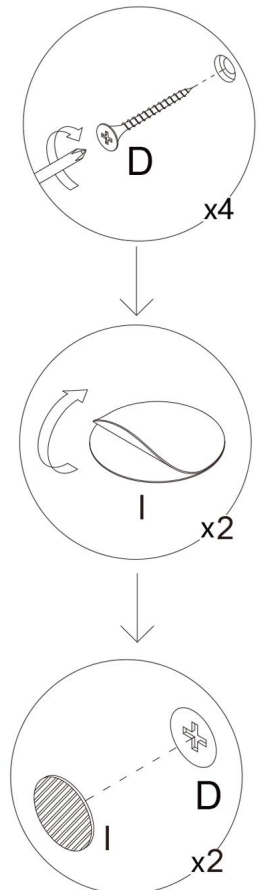
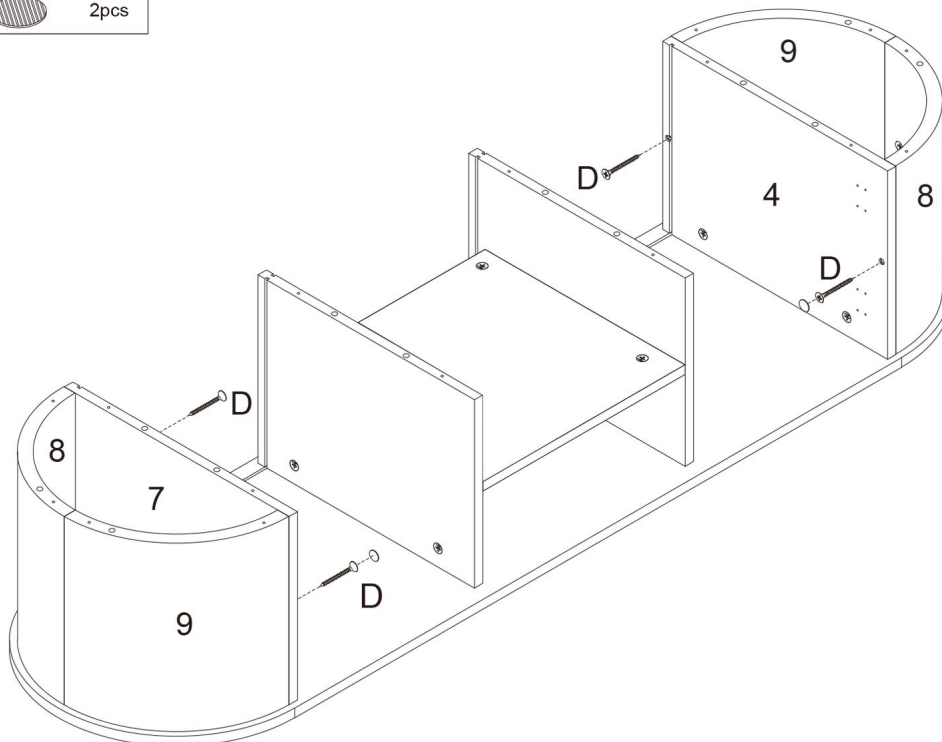
Step 7: Connect panels 4&5&6&7 to panel 1 with wooden tenon C, and then turn eccentric wheel B clockwise to tighten. and stick on the hole sticker I.

(B)		8pcs
(C)		8pcs
(I)		8pcs



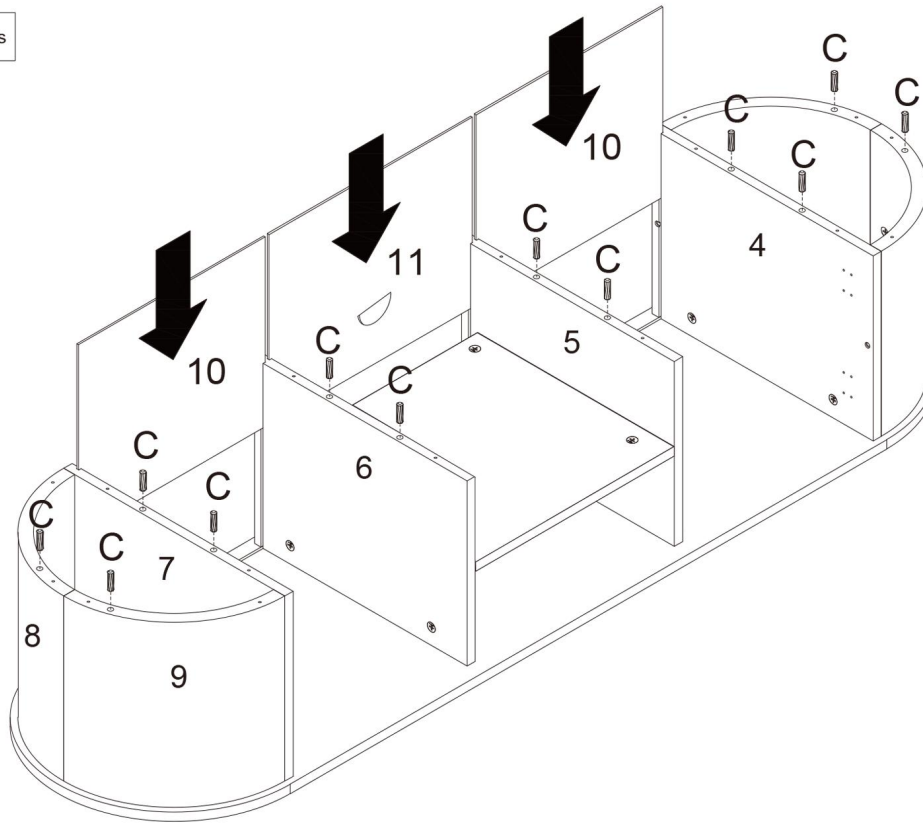
Step 8: Fix them with screws and stick on the hole sticker I.

(D)		4pcs
(I)		2pcs



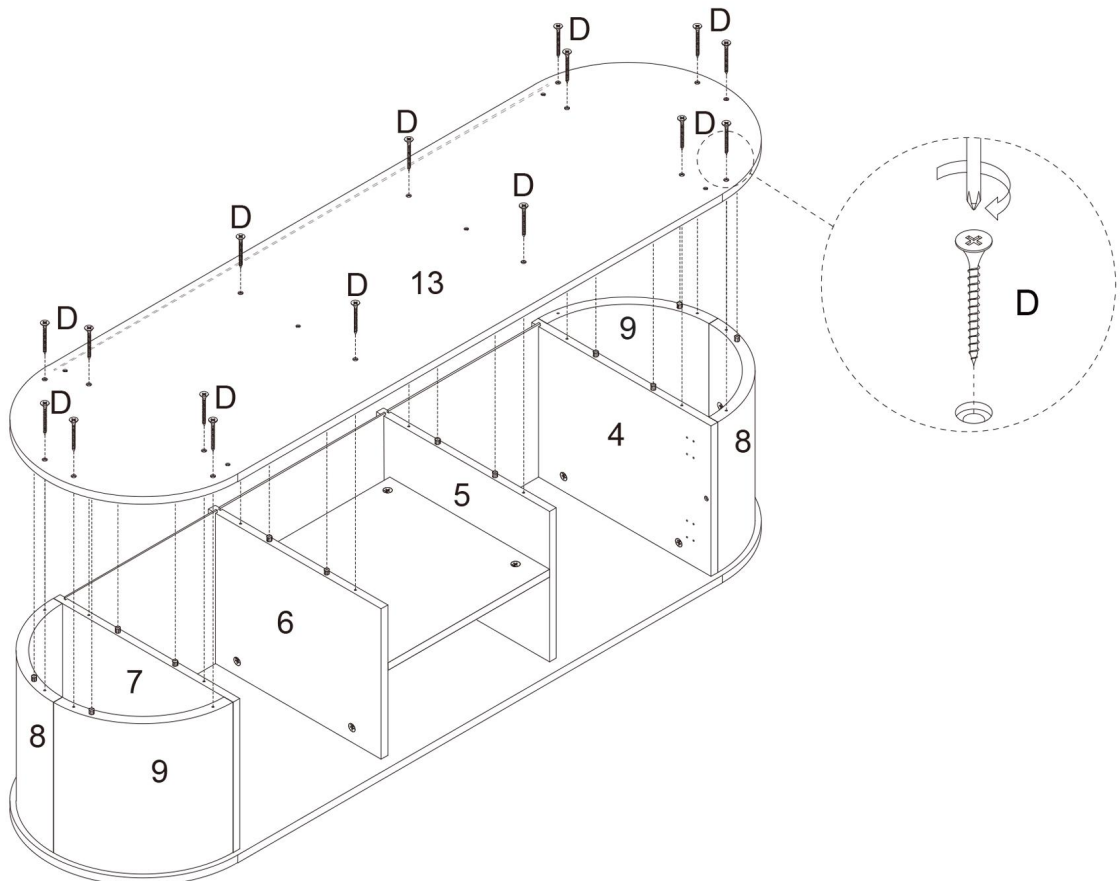
Step 9: Insert the back plate 10&11 into the slot and then place the wooden tenon C.

©  12pcs

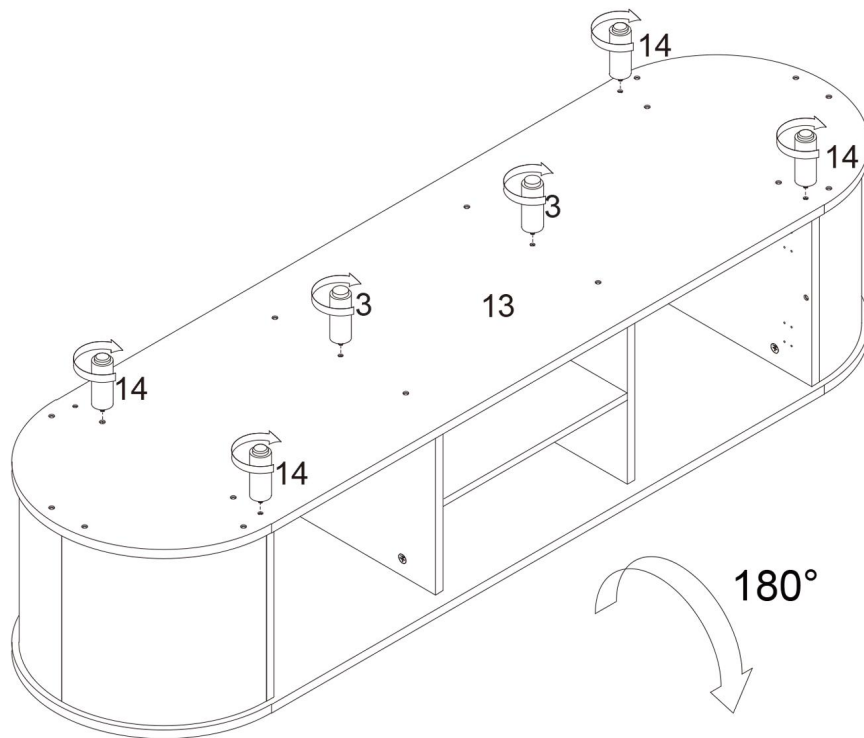


Step 10: Connect panel 13 to the assembled panel with D screws.

©  16pcs

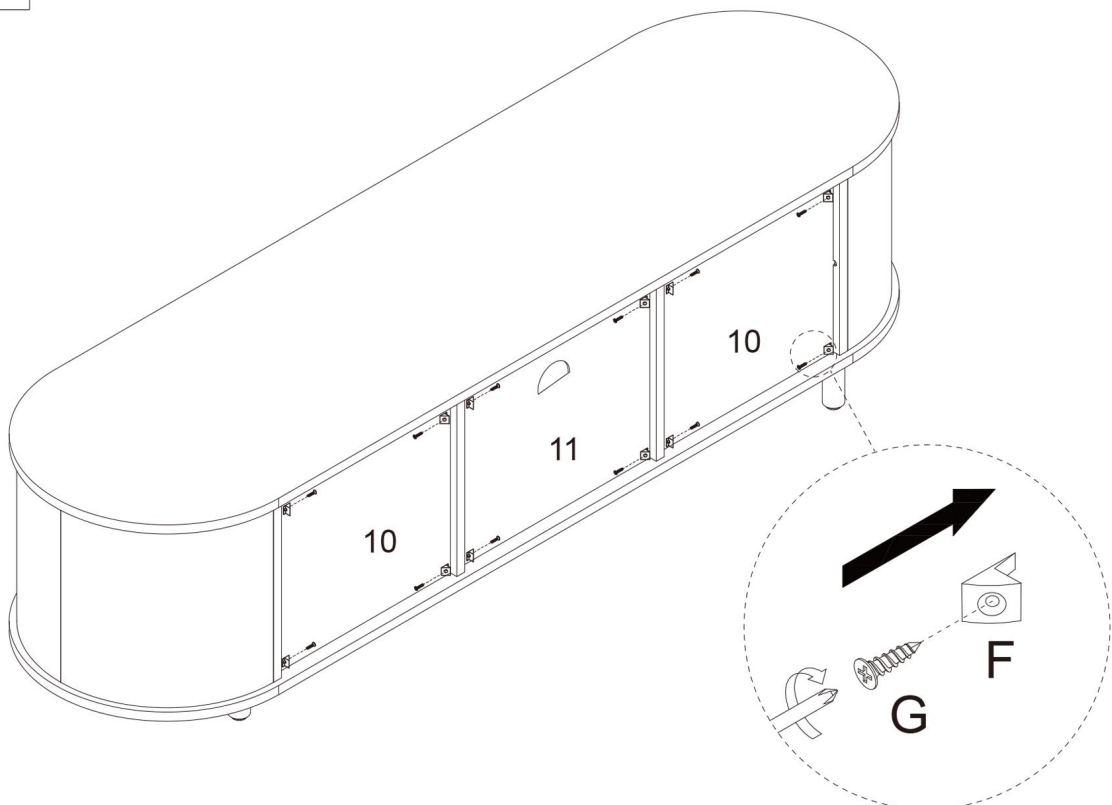


Step 11: Fix the foot 14&3 to the panel 13.







Step 12: Reinforce back plate 10&11 using part(F) with screw(G) as shown.

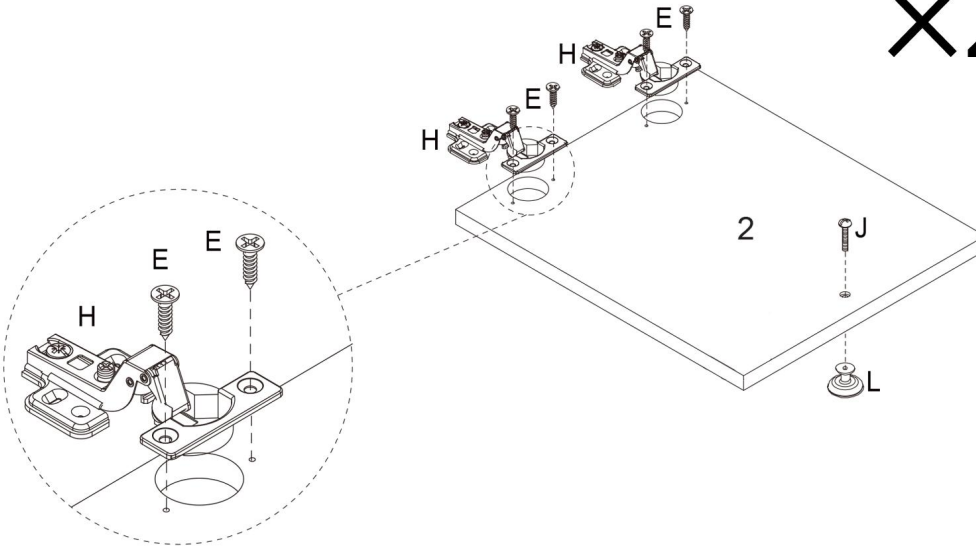
(F)		12pcs
(G)		12pcs



### Step 13: Connect the hinges to Door 2.

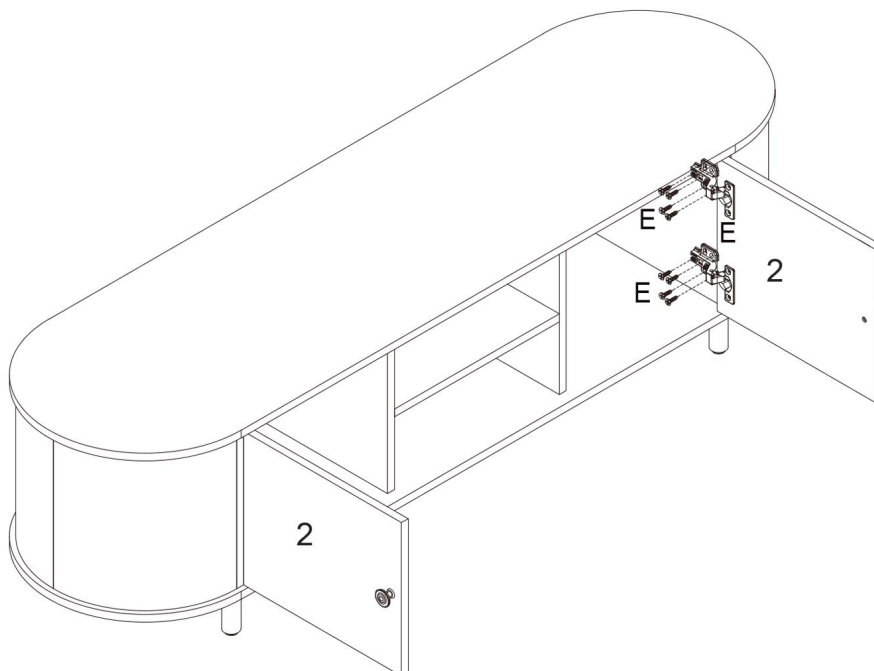
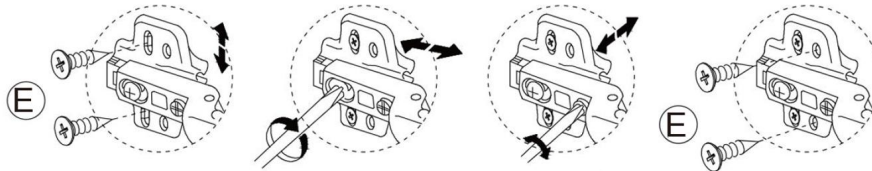
(H)		4pcs
(E)		8pcs
(J)		2pcs
(L)		2pcs

x2



### Step 14: Connect the hinges to Door 2.

(E)		16pcs
-----	---	-------



Step 15: The installation is complete.

