

DUSK.COM

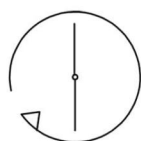
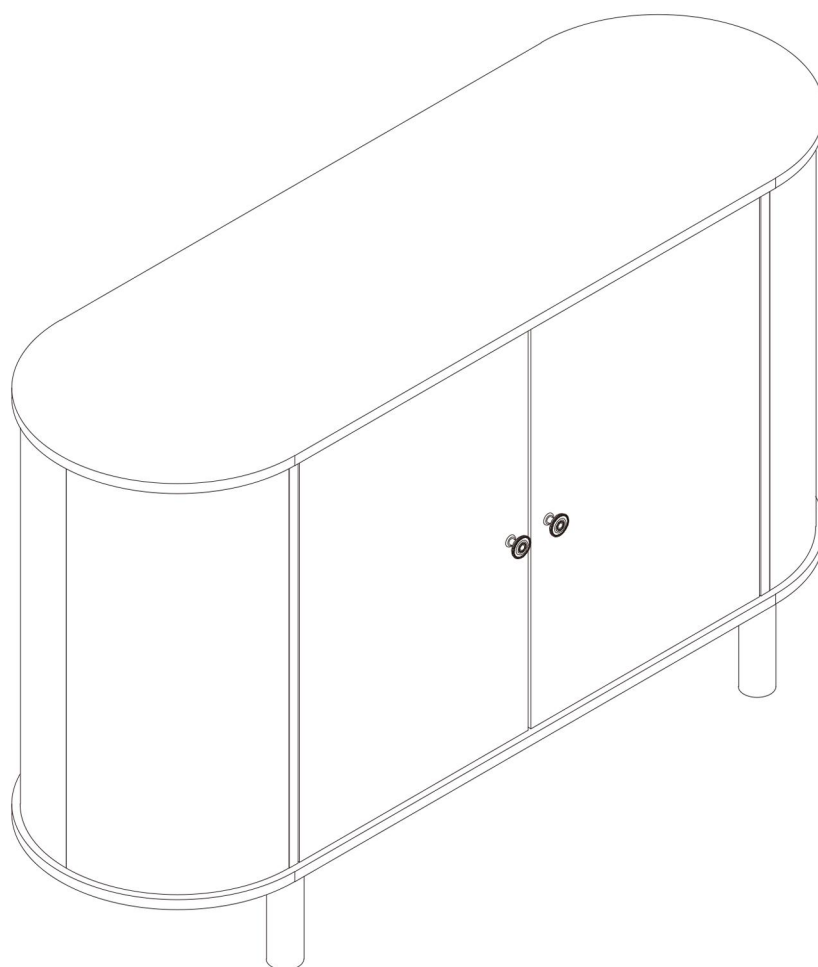
LIVING | BEDROOM | DINING

Range Name:Tilda

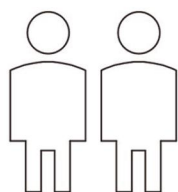
Box 1 dimensions:W135.5×D48×H29 cm

Product Dimension:W122×D40×H76 cm

2 Door Sideboard



Up to 60 minutes
assembly time



Two person
assembly



Electric screwdriver
prohibited

This product is intended for domestic use only, not for commercial purposes.

IMPORTANT

ASSEMBLY TIP

Before you begin, it's best to identify all of the parts and fittings to build your 2 door sideboard frame. We advise laying these out on the floor to check you have everything, and to familiarise yourself with all of the parts and fittings before building.

TOP TIP

We recommend that you build your new 2 door sideboard in the room you'd like it to be located. This will help prevent any risk of damage to the product whilst moving it.

SAFETY AND CARE

1. It's important to ensure children and animals are kept away from the assembly area, as there are small components used in this 2 door sideboard which could present a choking hazard. All plastic and wrapping materials should also be kept away from children and animals to prevent any risk of suffocation.
2. Do not stand on your product.
3. Always use the item on firm level ground, ensuring all legs remain in contact with the ground.
4. Place heaviest items in the lowest drawers.
5. Do not set TV or other heavy objects on top of the product.
6. Children should always be under supervision whilst using this product. Never allow children to climb on the drawers.
7. Never keep more than one drawer open at the same time.
8. In order to prevent overturning, this product must be used with the wall attachment device provided.
9. Serious or fatal crushing injuries can occur from tipping furniture.

HELP AND SUPPORT

Please contact our customer service team on 0113 519 0311 if you have any questions or issues with your purchase.

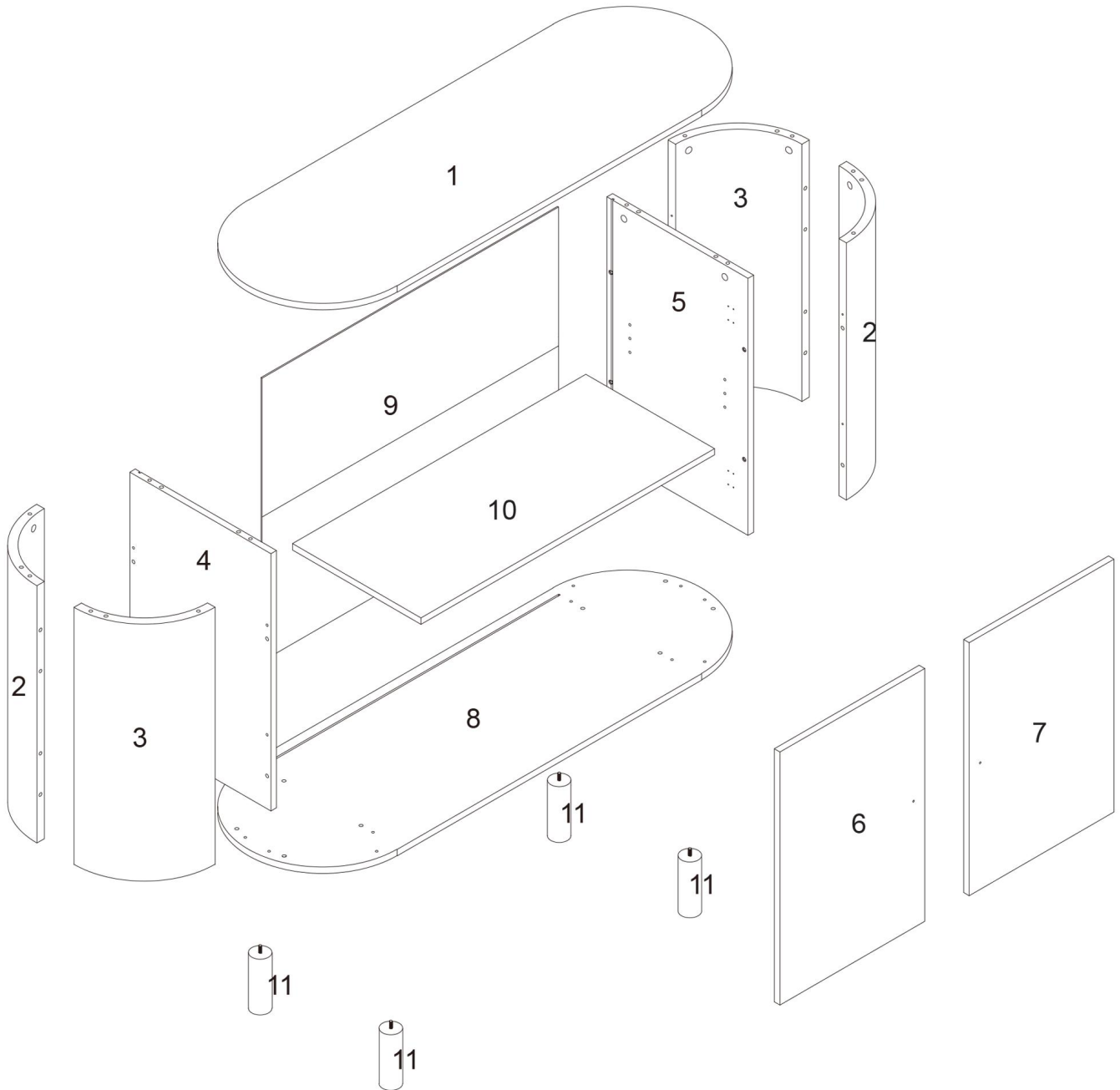
RECYCLING

Please ensure that packaging is disposed of in a safe and environmentally friendly way, and recycle where possible. Please keep your assembly instructions safe to refer back to in the future.

CARE AND MAINTENANCE

1. Only clean using a damp cloth, do not use bleach or abrasive cleaners as they may damage the finish over time.
2. Do not use a very wet cloth or allow any liquid to contact with the surface for a long period of time. Wipe any spillage immediately. Absorption can cause wood to warp or finishes to de-laminate.
3. Do not scrub or rub the surface when cleaning.
4. Do not drag the 2 door sideboard when moving, lift it off the floor instead.
5. Use a placemat or a coaster when putting hot items (e.g. hot drinks and dishes) on the wood surface.
6. It is not recommended to place the item next to sources of heat such as radiators, fires or directly exposed to sunlight. This may cause the wood to crack, split or fade due to the heat and humidity.
7. Wood will mellow and change colour over time, we recommend that ornaments and items placed on the surface to be moved regularly to prevent uneven mellowing.
8. Regularly check all fixings to ensure none have come loose. Re-tighten if necessary.
9. Avoid sharp items such as a screwdriver or any pointy tools.

Parts list
















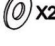






Parts list

Before you begin building your 2 door sideboard, please take a moment to read through the instructions and make sure that you have all the relevant parts listed on the parts check list.

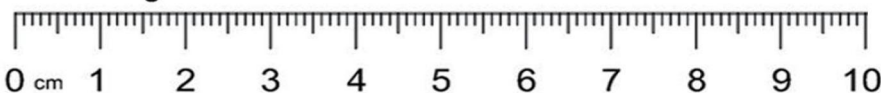
Part Number	Part Description	Quantity	Box No
1	Top Panel	1 pc	Box 1
2	Left side plate	2 pcs	Box 1
3	Left side plate	2 pcs	Box 1
4	Left middle partition	1 pc	Box 1
5	Right middle partition	1 pc	Box 1
6	Door	1 pc	Box 1
7	Door	1 pc	Box 1
8	Middle panel	1 pc	Box 1
9	Back Panel	1 pc	Box 1
10	Adjustable shelf	1 pc	Box 1
11	Support foot	4 pcs	Box 1

Fittings Checklist


Please check you have all the fittings listed below with your product in Box 1.

<p>(A)</p>  <p>M6x35mm Cam Bolt x16 pcs(+2 extra)</p>	<p>(B)</p>  <p>Ø15x9mm Cam Lock x16pcs(+2 extra)</p>	<p>(C)</p>  <p>Ø8x30mm Wood Dowel x28pcs(+3 extra)</p>
<p>(D)</p>  <p>M4x40mm Screw x20 pcs(+2 extra)</p>	<p>(E)</p>  <p>M4x14mm Screw x24pcs(+2 extra)</p>	<p>(F)</p>  <p>Door Strike Plate x2pcs</p>
<p>(G)</p>  <p>M3x14mm Screw x2pcs</p>	<p>(H)</p>  <p>Hinge x4pcs</p>	<p>(I)</p>  <p>Cover x8pcs(+2 extra)</p>
<p>(J)</p>  <p>M4x18mm Bolt x2pcs</p>	<p>(K)</p>  <p>Shelf support x4pcs</p>	<p>(L)</p>  <p>Handle x2pcs</p>
<p>(M) x2</p>  <p>150*20mm M₁</p>  <p>Ø M₂ x2</p>  <p>4*16mm M₃</p>  <p>3*30mm M₄</p>  <p>6*30mm M₅</p>	<p>(N)</p>  <p>Door Catch x1pc</p>	
<p>(O)</p>  <p>M3x12mm Screw x2pcs</p>	<p>(P)</p>  <p>Screwdriver x1pc</p>	

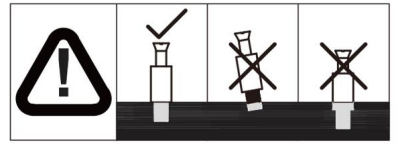
Bolt Length Ruler:



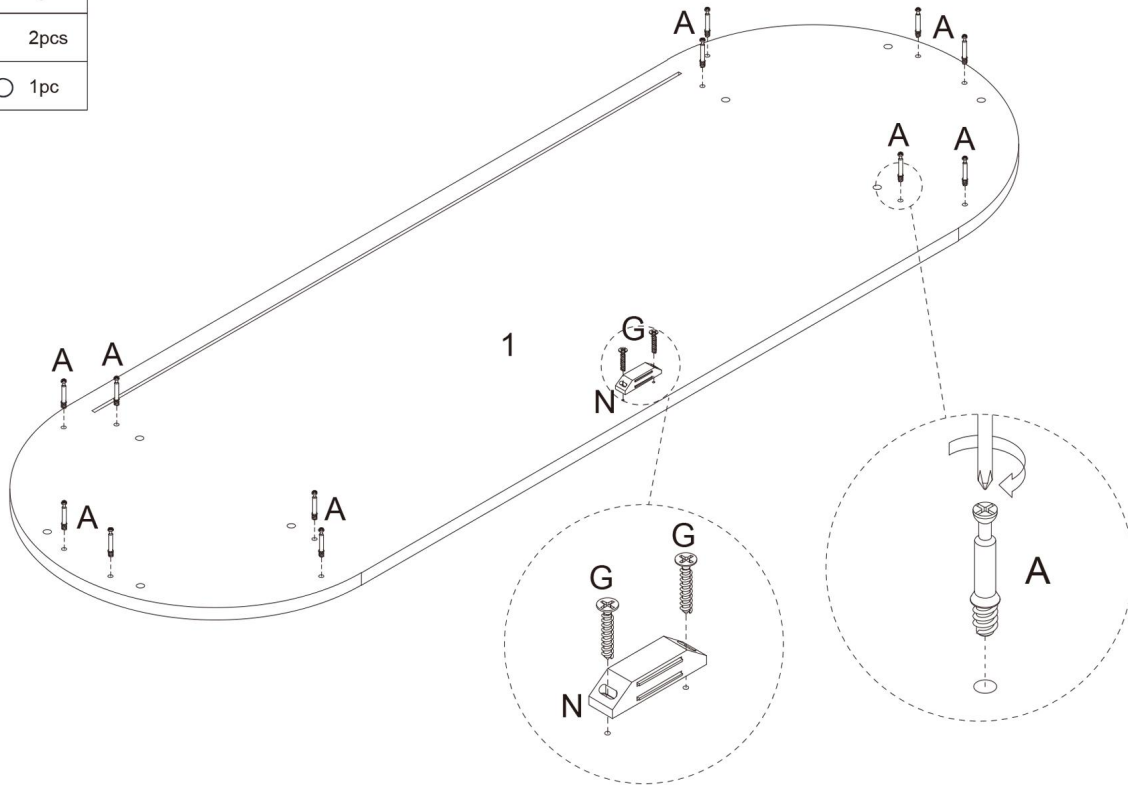
Tool required

 ⊕ Crosshead Screwdriver (not provided)

Step 1: Install the eccentric rod A onto panels 1.
Fix the door latch N to the panel 1 with screw G.

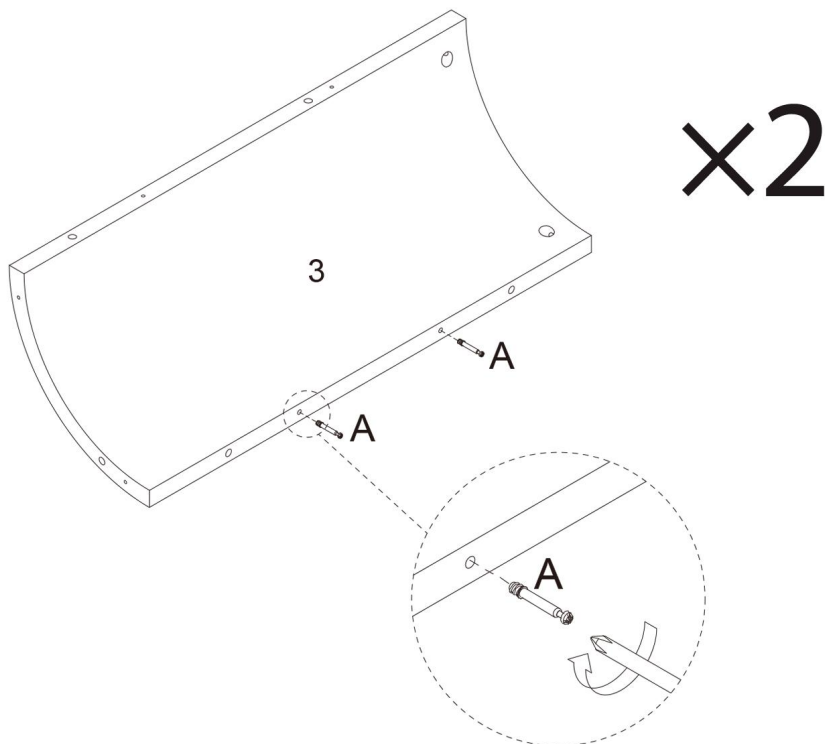


A		12pcs
N		1pc
G		2pcs
P		1pc





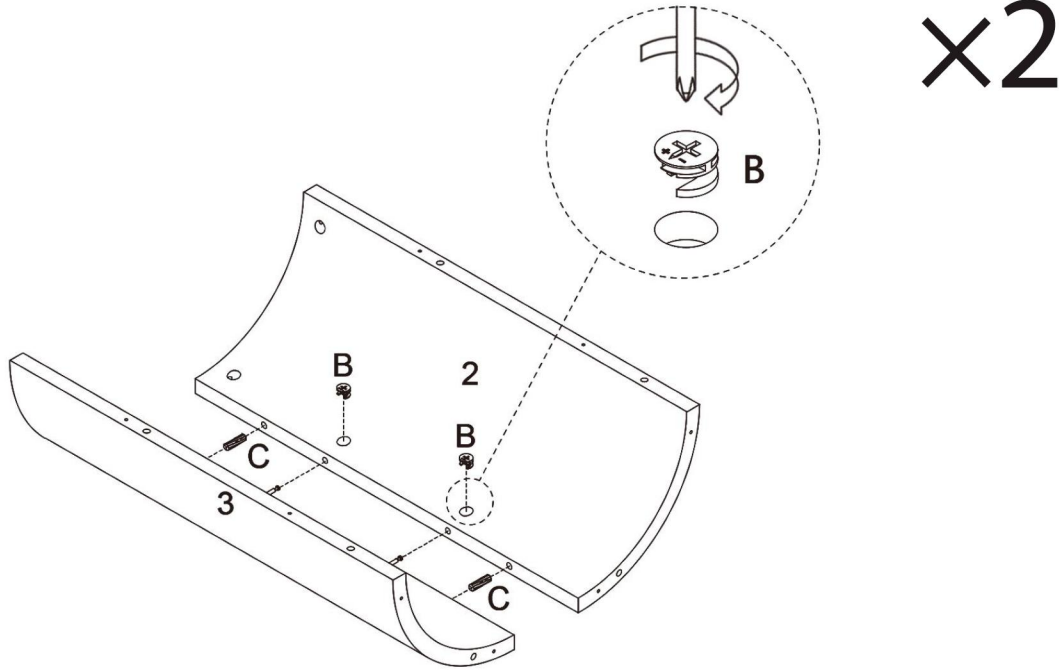
Step 2: Install the eccentric rod A onto panels.

A		4pcs
---	--	------





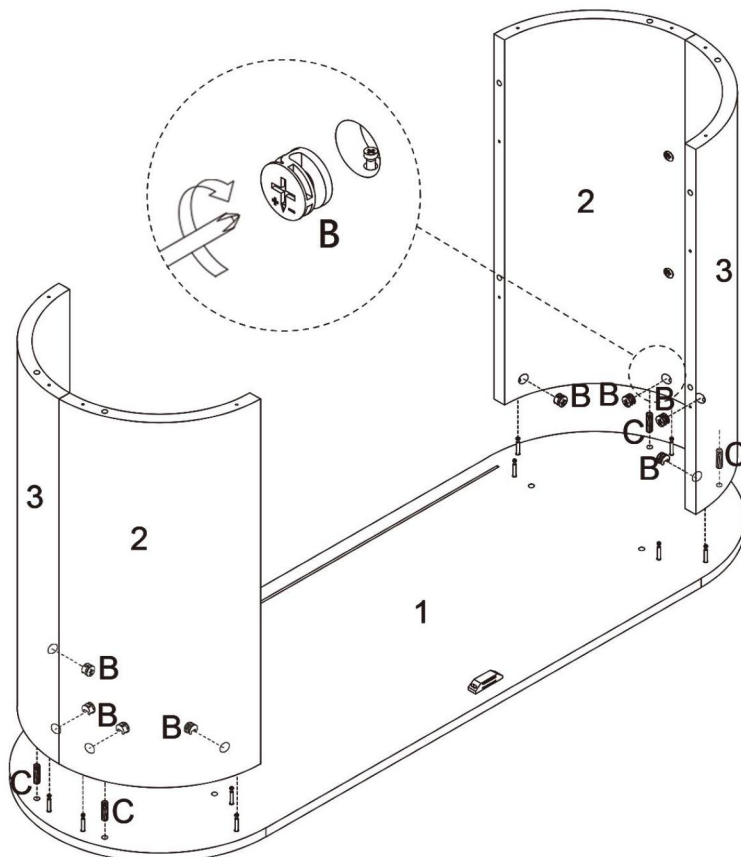
Step 3: Connect panels 3 to panel 2 with wooden tenon C, and then turn eccentric wheel B clockwise to tighten.

(B)		4pcs
(C)		4pcs

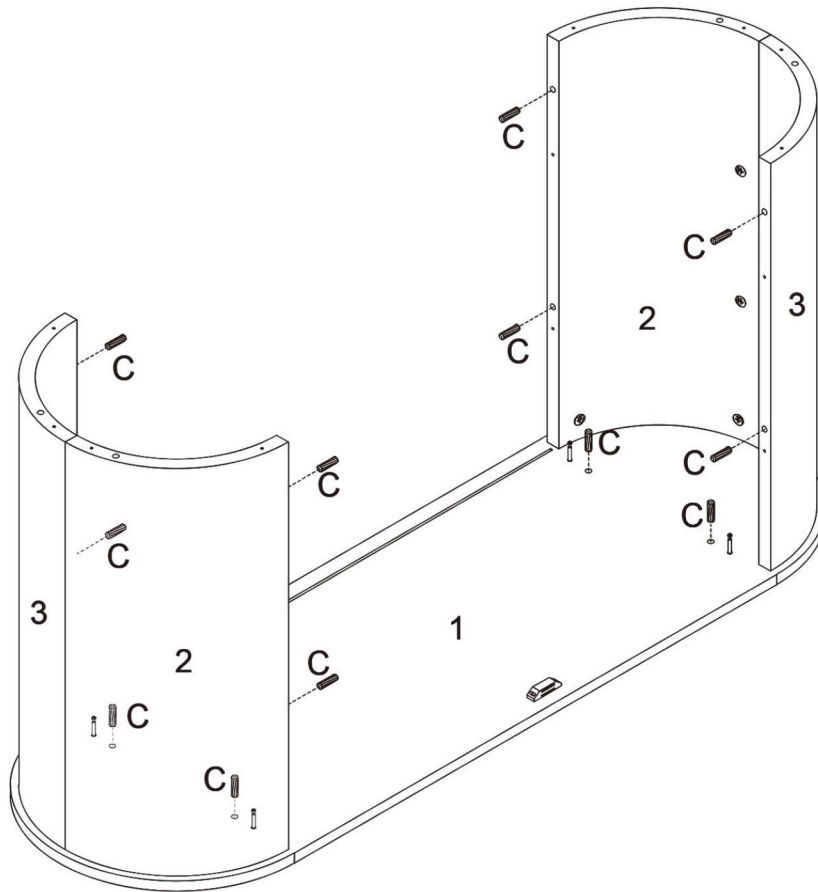


Step 4: Connect panels 2&3 to panel 1 with wooden tenon C, and then turn eccentric wheel B clockwise to tighten.

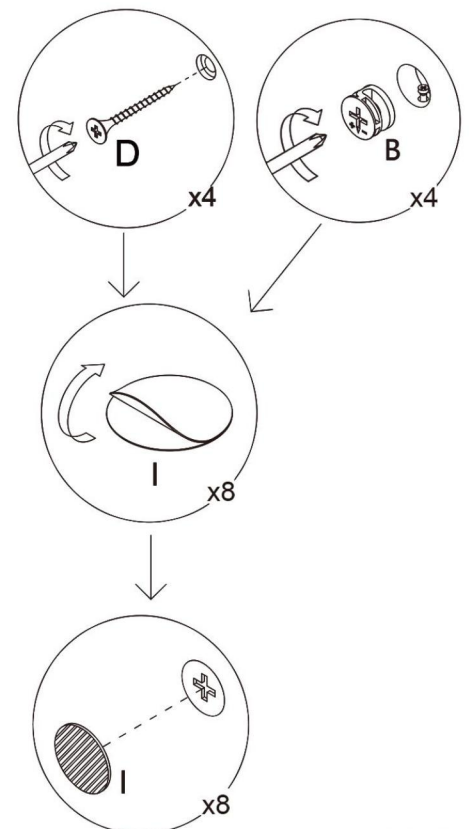
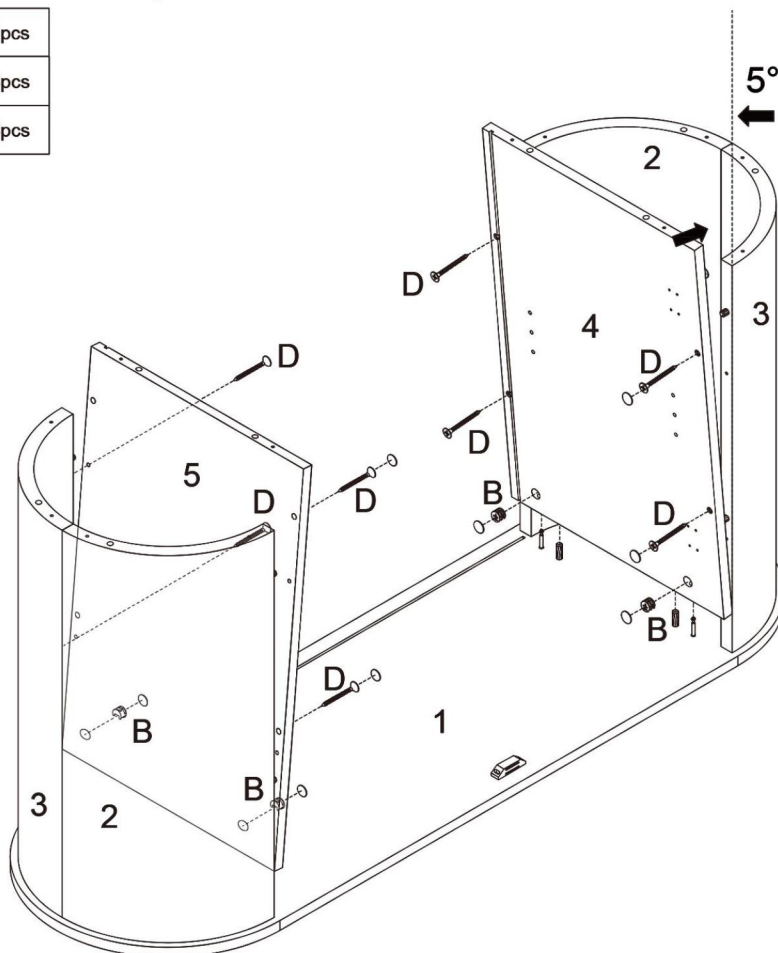
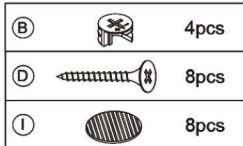
(B)		8pcs
(C)		4pcs



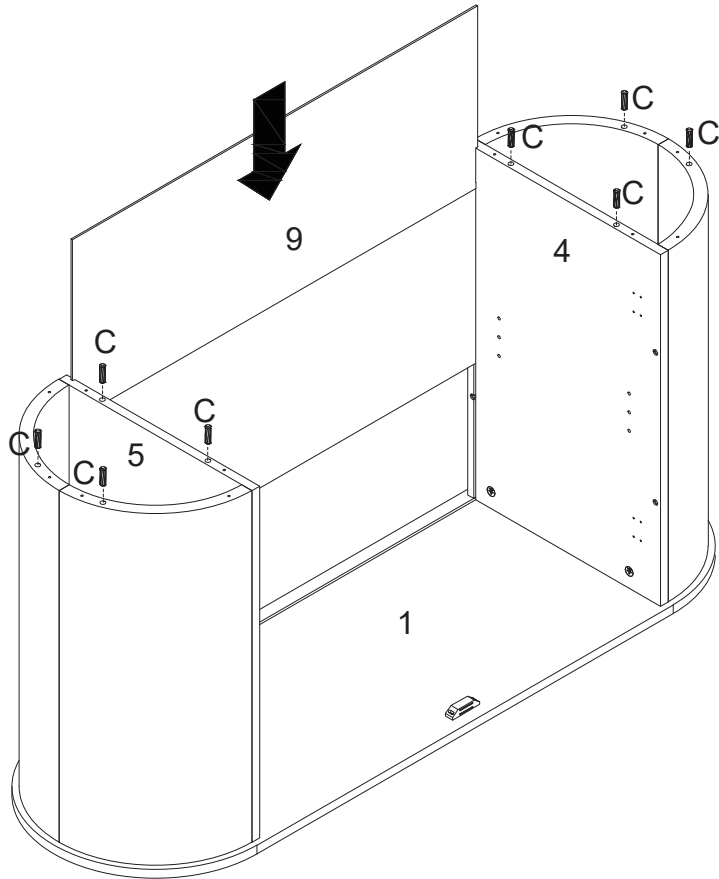
Step 5: The wooden tenon C is inserted into panels 1&2&3.



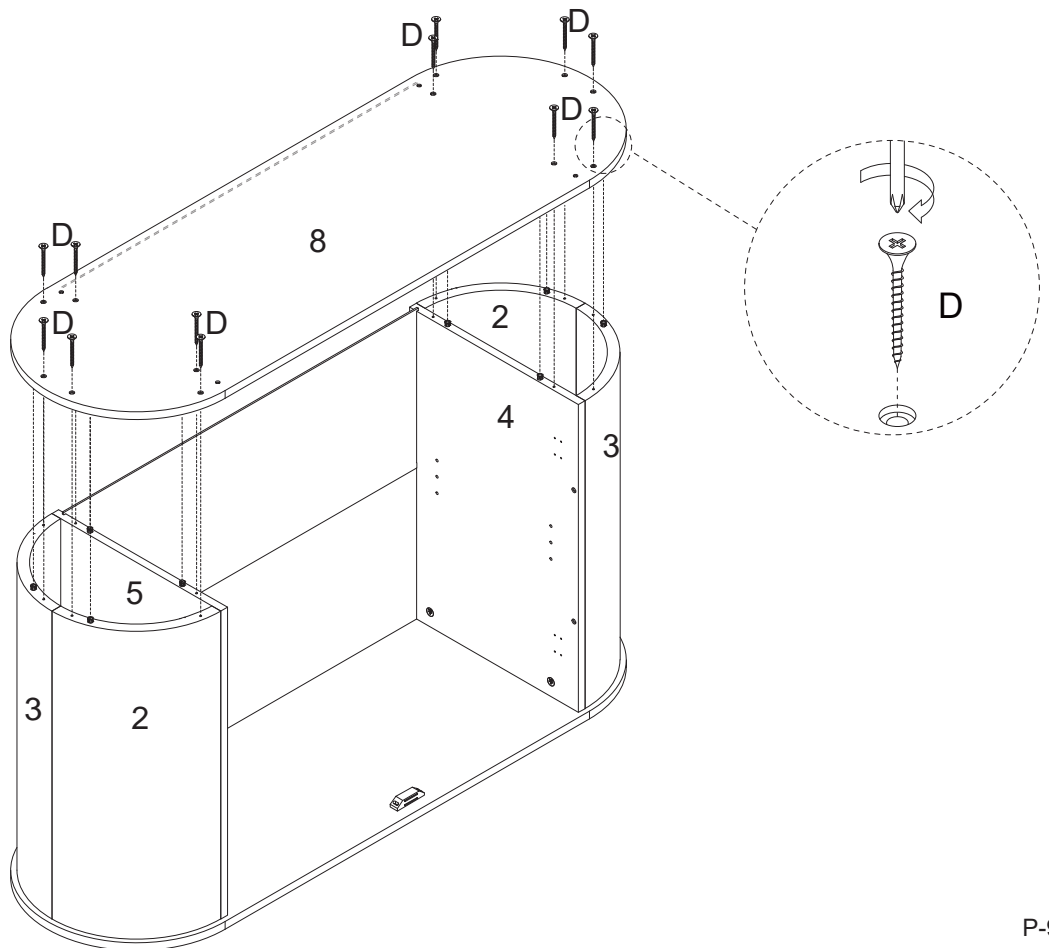
Step 6: Insert Panel 4 and Panel 5 diagonally into panel 1, fix them with screws, and then stick hole sticker I.



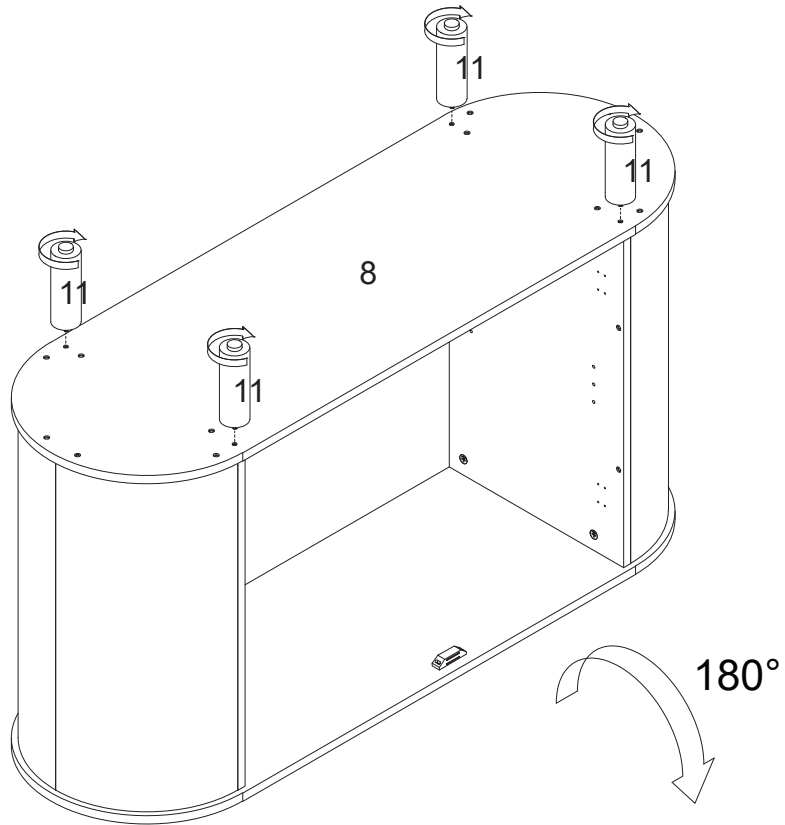
Step 7: Insert the back plate 9 into the slot and then place the wooden tenon C.



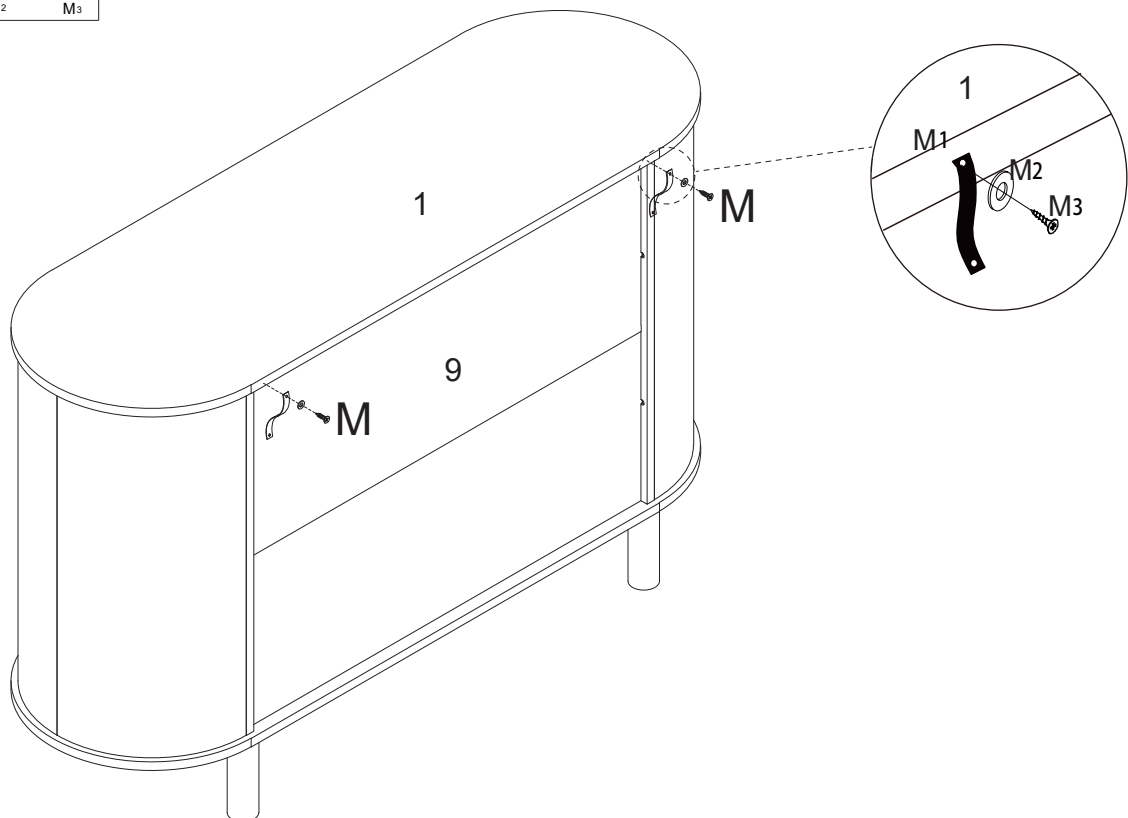
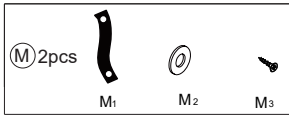
Step 8: Connect panel 8 to the assembled panel with D screws.




Step 9: Fix the Leg 11 to the panel 8.

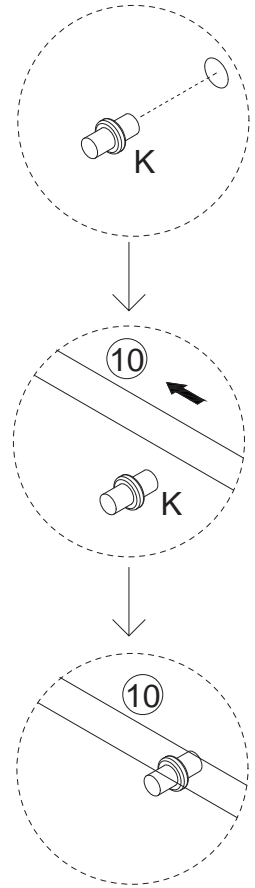
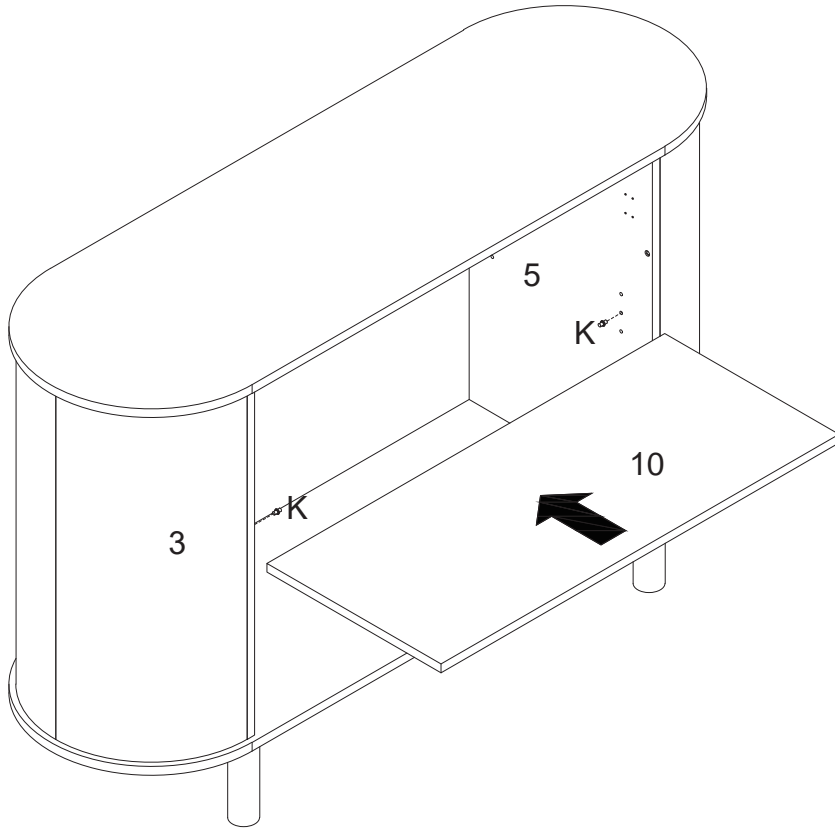


Step 10: Install anti-toppling devices.






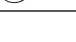


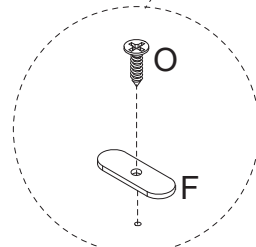
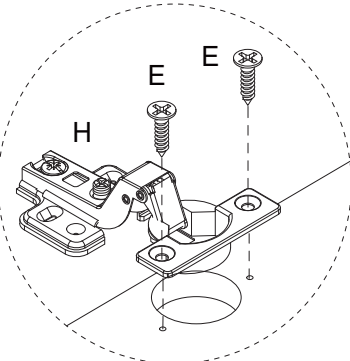
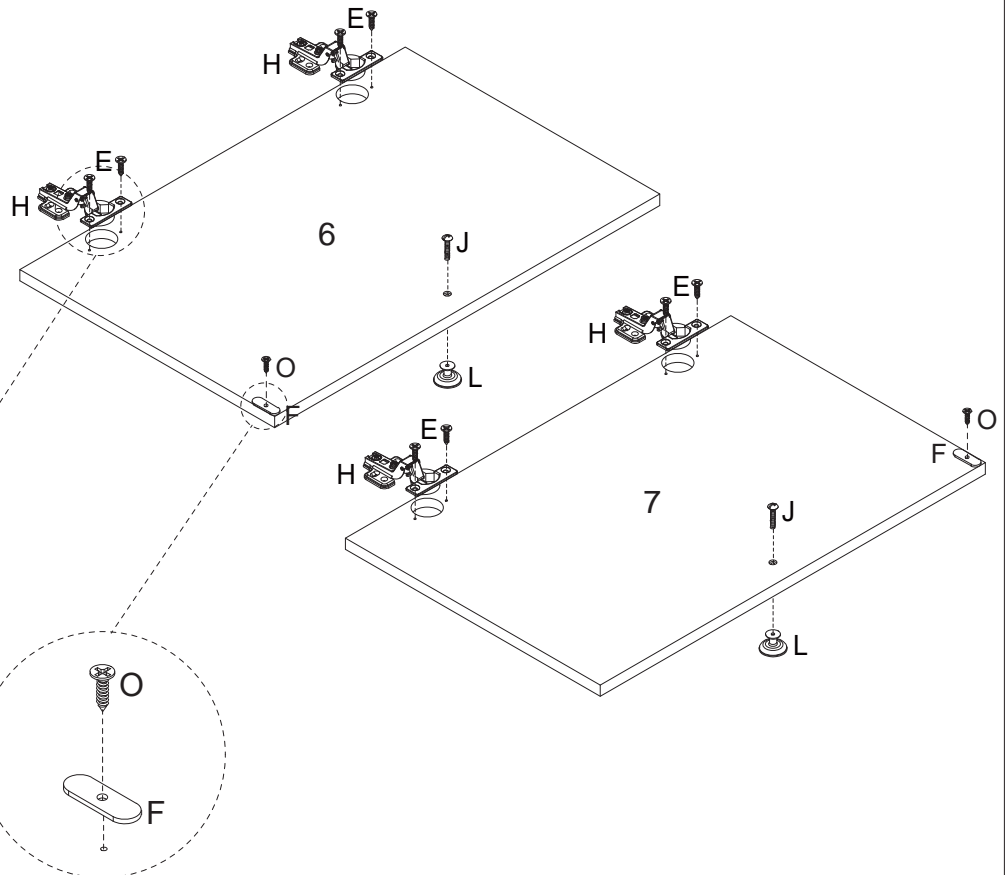
Step 11: Place the support on the shelf into panels 4&5, Put it into Panel 10.

(K)  4pcs



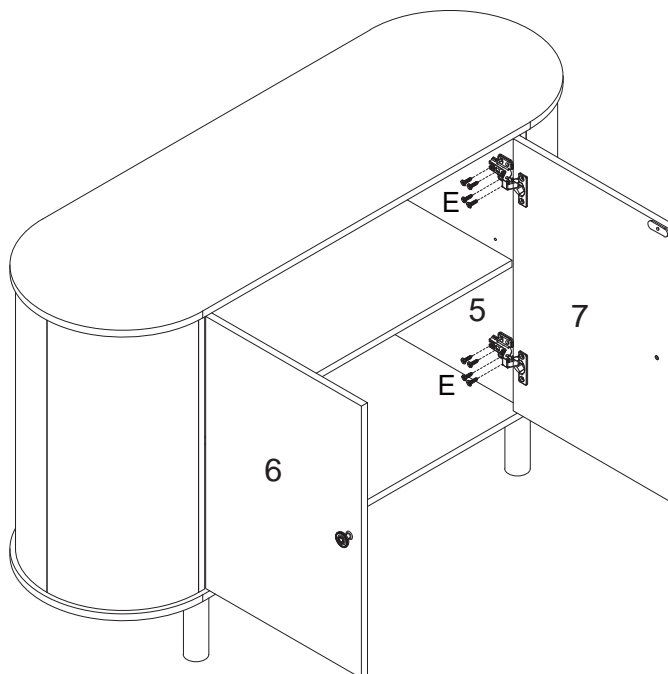
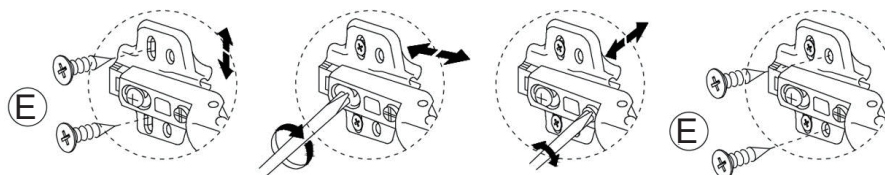
Step 12: Connect the hinges to Door 6&7.

(H)  4pcs
 (E)  8pcs
 (J)  2pcs
 (L)  2pcs
 (O)  2pcs
 (F)  2pcs



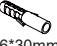


Step 13: Connect the hinges to Door 6&7.

(E)  16pcs



Step 14: Install anti-toppling devices.

(M) x2
 M2
 3*30mm M4
 6*30mm M5

