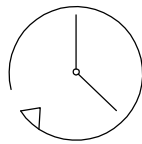
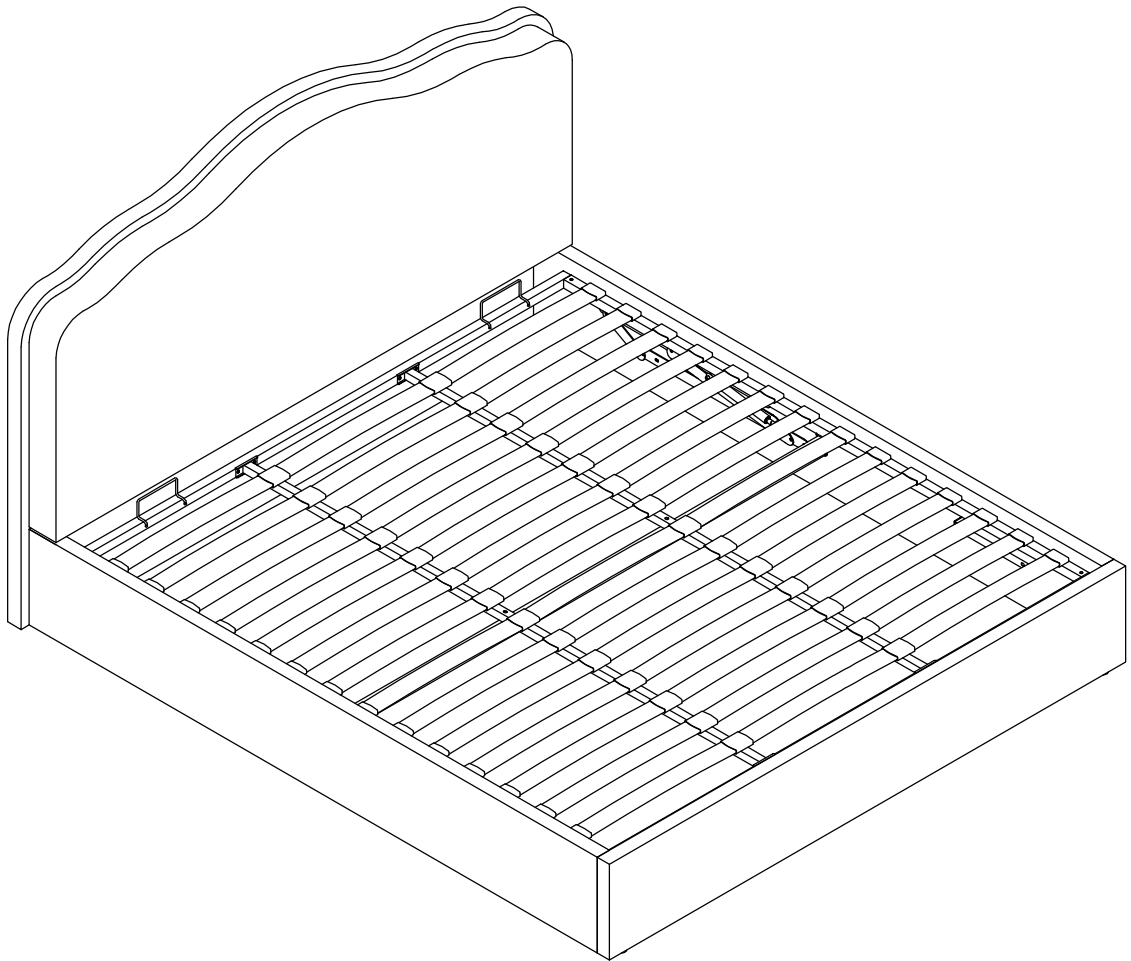
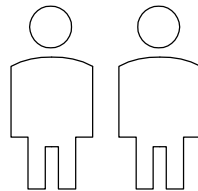


# Wiltshire Ottoman Bed Frame

## Super King



Up to 2 hours assembly time



Two person assembly

# **Important**

## **Assembly Tip**

Before you begin, it's best to identify all of the parts and fittings to build your ottoman bed frame. We advise laying these out on the floor to check you have everything, and to familiarise yourself with all of the parts and fittings before building.

## **Top Tip**

We recommend that you build your new ottoman bed frame in the room you'd like it to be located. This will help prevent any risk of damage to the frame whilst moving it.

## **Safety and Care**

It's important to ensure children and animals are kept away from the assembly area, as there are small components used in this bed frame which could present a choking hazard. All plastic and wrapping materials should also be kept away from children and animals to prevent any risk of suffocation.

## **Help and Support**

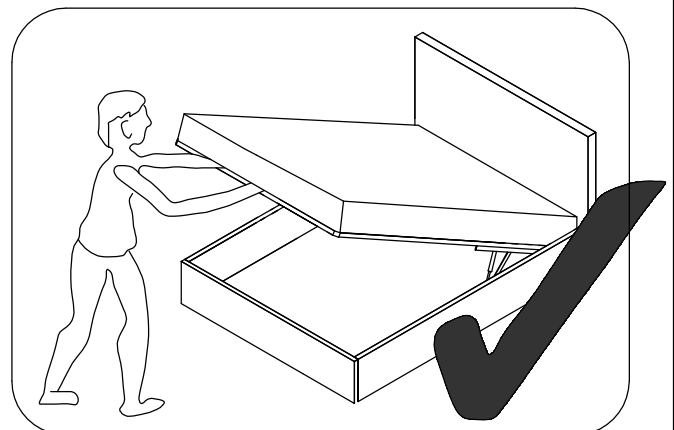
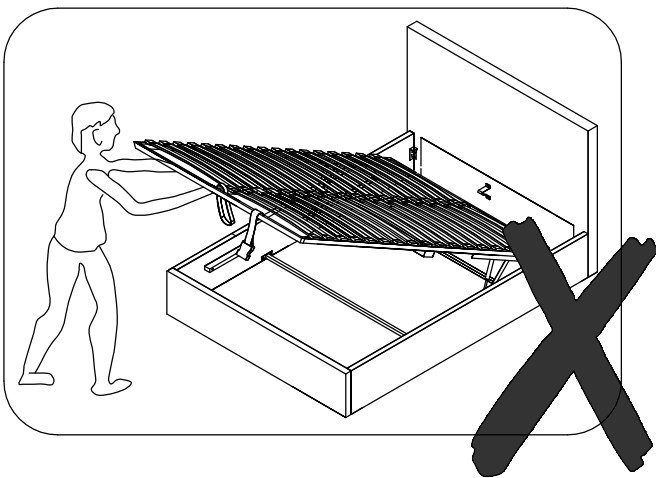
Please contact our customer service team on 0113 519 0311 if you have any questions or issues with your purchase.

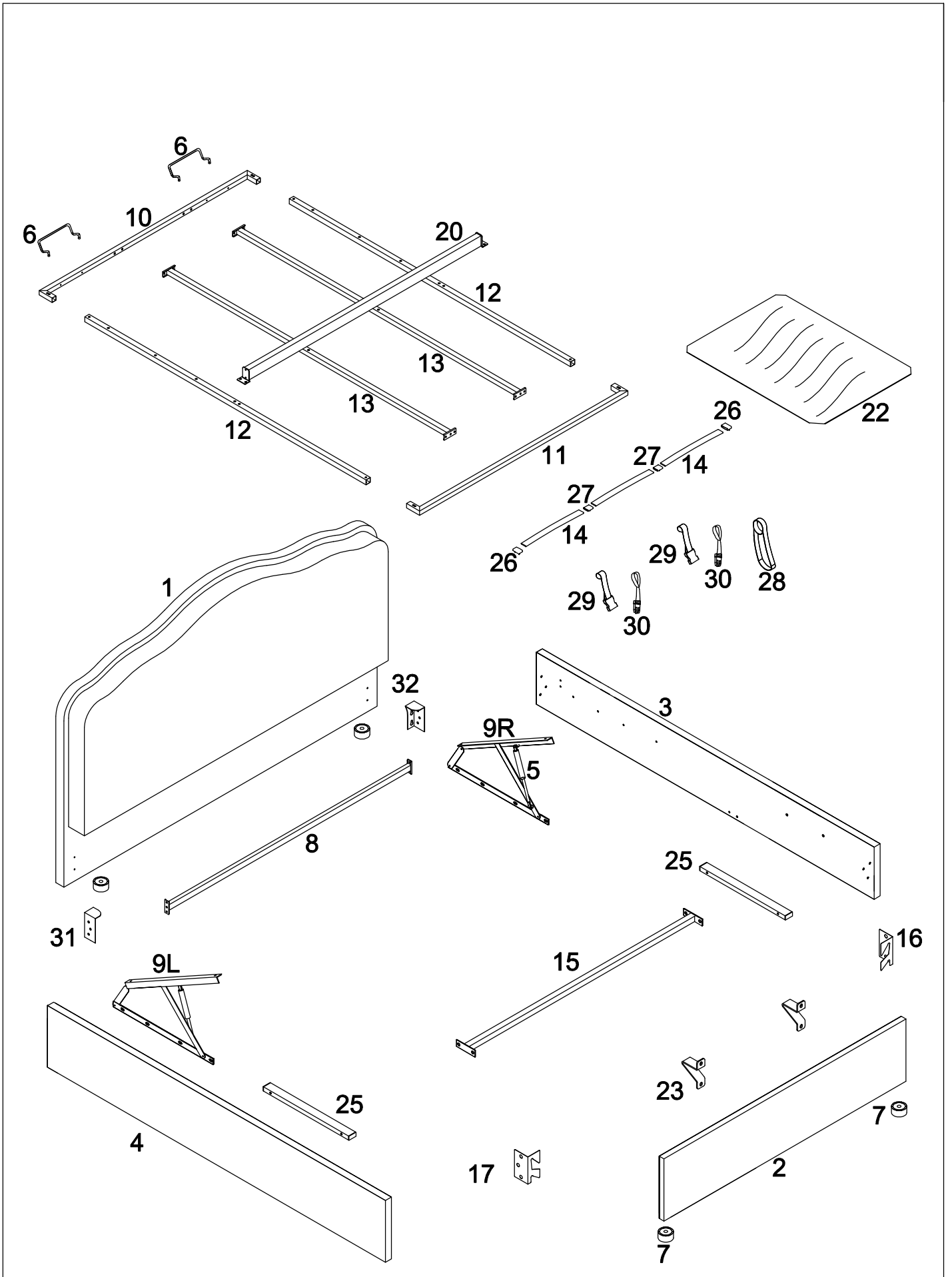
## **Recycling**

Please ensure that packaging is disposed of in a safe and environmentally friendly way, and recycle where possible. Please keep your assembly instructions safe to refer back to in the future.

# Operating Your Ottoman Bed Frame Safely

- Caution, this ottoman bed frame uses a pressurised mechanism.
- Please ensure children and animals are kept away from the ottoman bed frame when operating the mechanism.
- Use caution when operating, and always use two hands at arm's length.
- You must always ensure the mattress is on the ottoman bed frame before lifting the mechanism. Failure to do so may result in injury or damage to the mechanism.
- If removing the mattress, make sure the ottoman bed frame is secured as it could flip open.
- Only use the storage compartment when the ottoman bed frame is fully in the upright position.
- Do not remain on the ottoman bed frame whilst the lifting mechanism is in use. Beware of entrapment. Keep both hands clear of the mechanism when operating.
- When lifting the ottoman bed frame, remove all bedding except the fitted sheet.
- Always use the strap to lift or lower the ottoman metal frame. Close the ottoman metal frame by pushing down firmly with both hands towards the centre of the bed frame with pressure.
- No children or animals should be left unattended when the ottoman bed frame is in the upright position.
- When fully assembled, raise and lower the ottoman metal frame 4/5 times to ensure the gas pistons are fully lubricated.
- Ensure to re-tighten all nuts and bolts within the ottoman bed frame after the first two weeks of use.

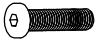

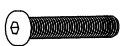
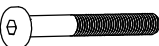





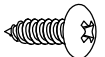
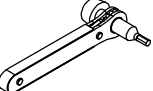




## Parts Check List

No.	Parts List	Qty	Box No	No.	Parts List	Qty	Box No
1	Headboard	1pc	Box 1	15	Horizontal Support Rail	1pc	Box 2
2	Footboard	1pc	Box 1	16	Rear RH Corner Bracket	1pc	Box 2
3	RH Side Panel	1pc	Box 2	17	Rear LH Corner Bracket	1pc	Box 2
4	LH Side Panel	1pc	Box 2	20	Cross Rail	1pc	Box 2
5	Gas Strut	2pcs	Box 2	22	Fabric Base	1pc	Box 2
6	Mattress Support	2pcs	Box 2	23	Base Support	2pcs	Box 2
7	Leg	4pcs	Box 2	25	Bed Frame Support Bar	2pcs	Box 2
8	Horizontal Support Rail	1pc	Box 2	26	Side Slat Cap Double/king	28pcs+2 extra	Box 2
9L	LH Lift Mechanism	1pc	Box 2	27	Centre Slat Cap Double/King	28pcs+1 extra	Box 2
9R	RH Lift Mechanism	1pc	Box 2	28	Strap	1pc	Box 2
10	Front Ottoman Metal Frame	1pc	Box 2	29	Buckle Frame	2pcs	Box 2
11	Rear Ottoman Metal Frame	1pc	Box 2	30	Buckle Prong	2pcs	Box 2
12	Side Ottoman Metal Frame	2pcs	Box 2	31	Front LH Corner Bracket	1pc	Box 2
13	Central Support Rail	2pcs	Box 2	32	Front RH Corner Bracket'	1pc	Box 2
14	Slat	42pcs	Box 2				

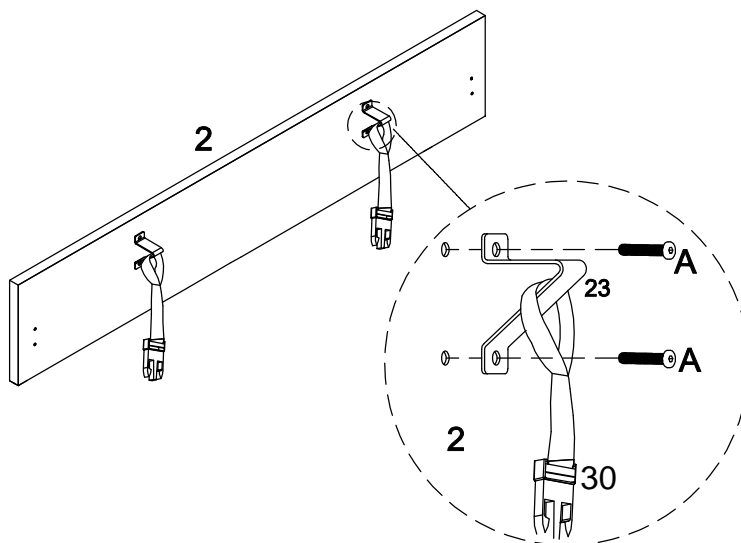
Please check you have all the fittings listed below with your product Box 2

		
(A) M6 20mm Bolt 54pcs+1 extra	(B) M6 35mm Bolt 12pcs+1 extra	(C) M6 40mm Bolt 2pcs
		
(D) M8 65mm Bolt 4pcs	(E) M6 Nut 4pcs	(F) M8 Nut 4pcs
		
(G) M6 Flat Washer 8pcs+1 extra	(H) M4 Allen Key 1pc	(I) Spanner 1pc
		
(J) Screw-4.0x15 4pcs	(K) Ratchet Allen Key 1pc	

## Step 1: Attaching the Base Support & Buckle to the Footboard

A  4pcs

H  1pc

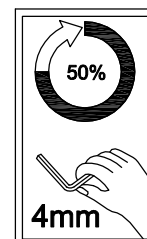
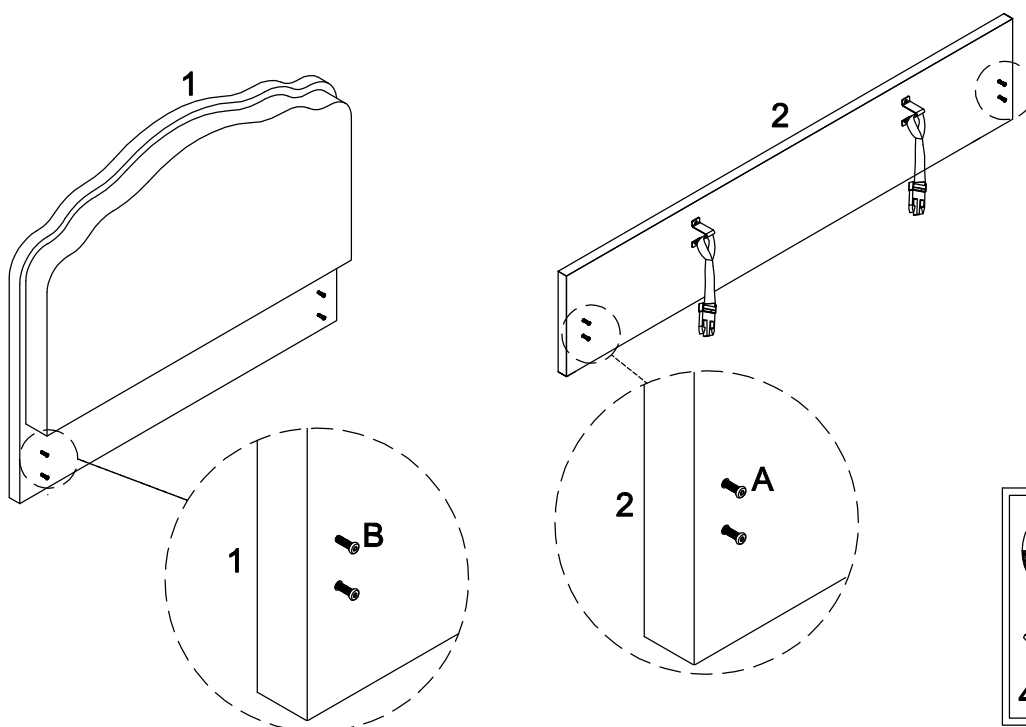


## Step 2: Attaching the Bolts to the Headboard & Footboard

A  4pcs

B  4pcs

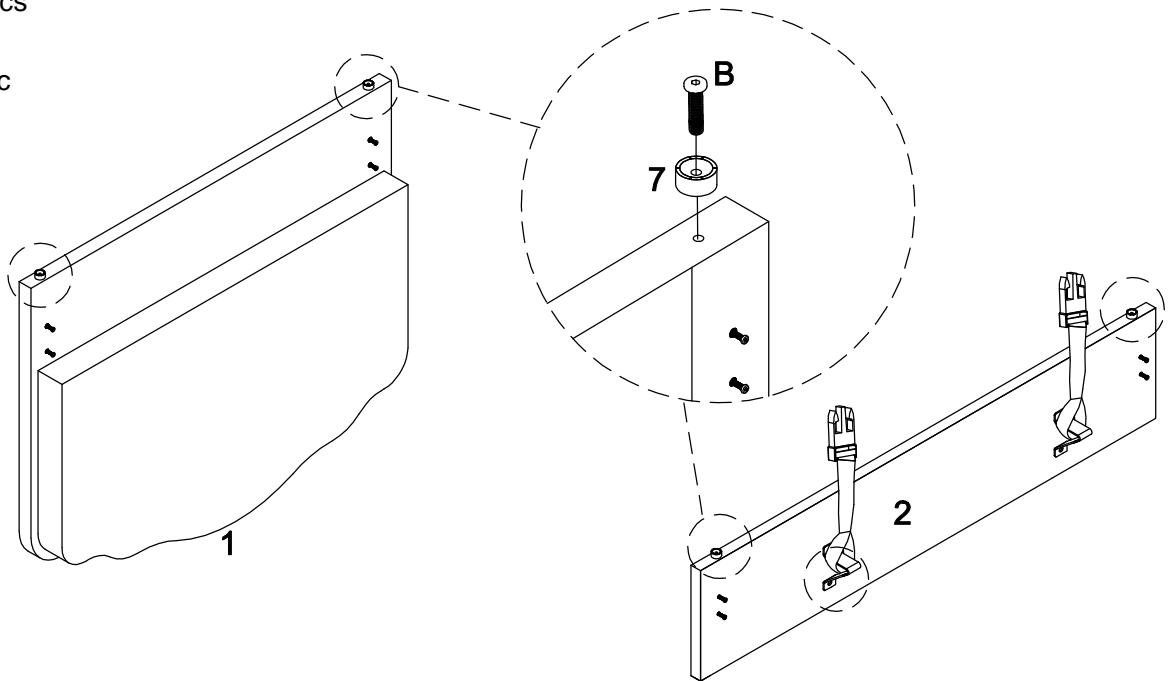
H  1pc



### Step 3: Attaching the Leg to the Headboard & Footboard

B  4pcs

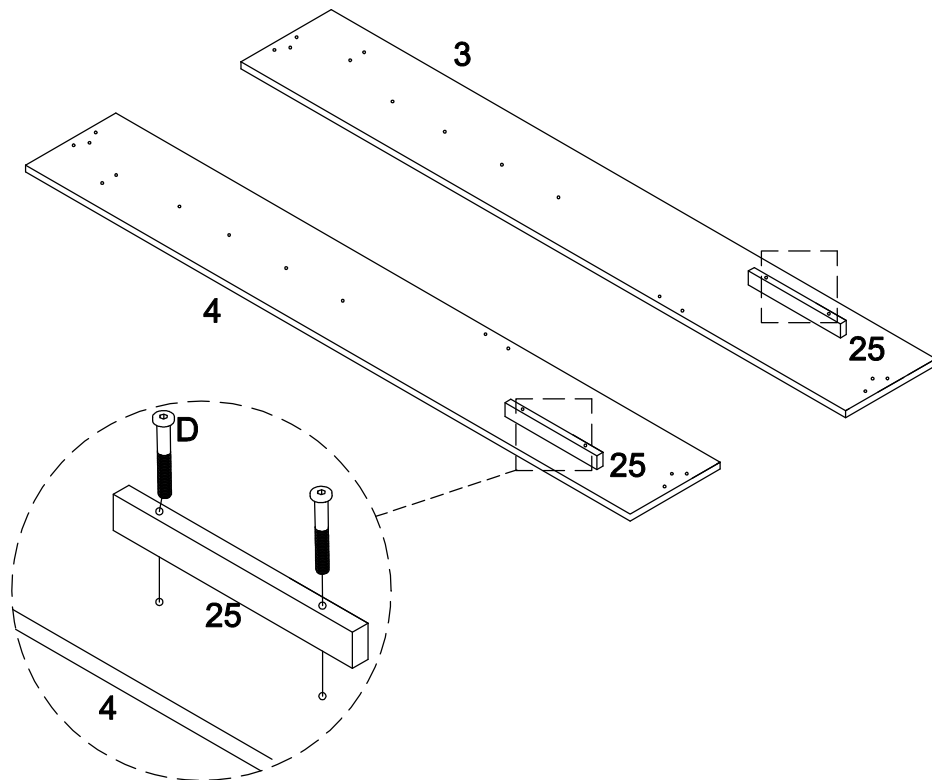
H  1pc



### Step 4: Attaching the Bed Frame Support Bar to the RH Side Panel & LH Side Panel

D  4pcs

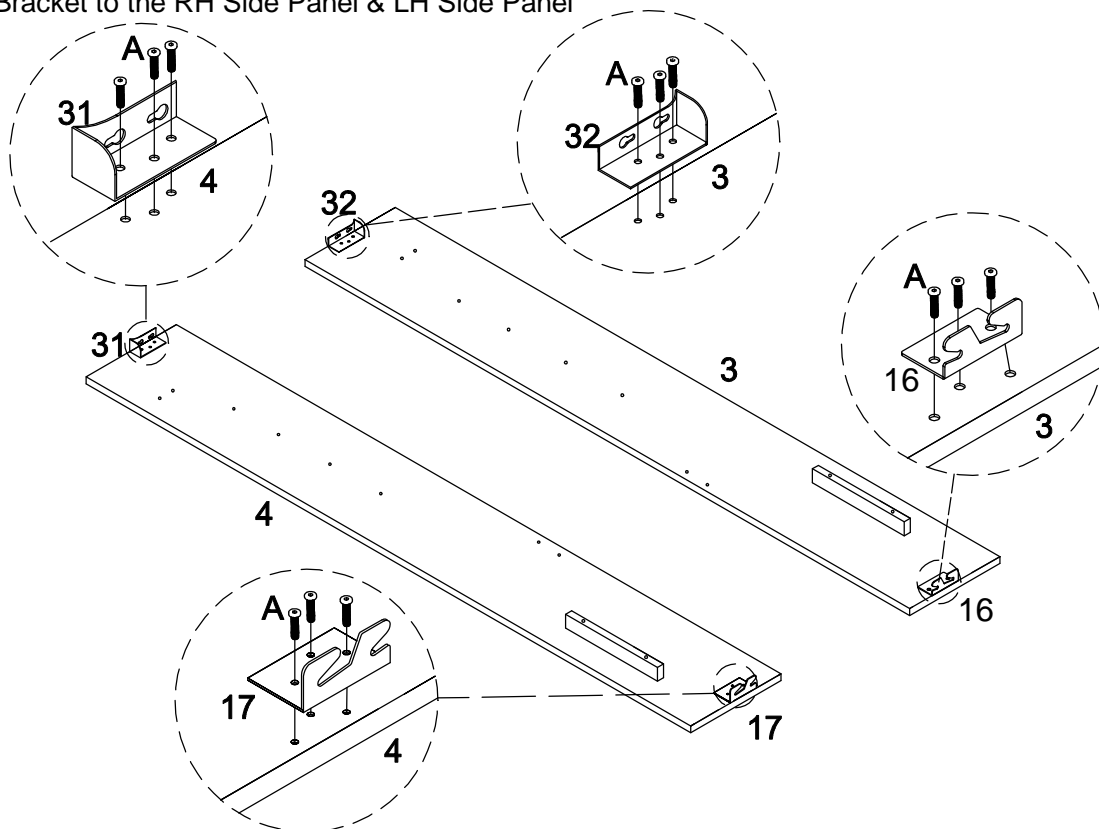
H  1pc



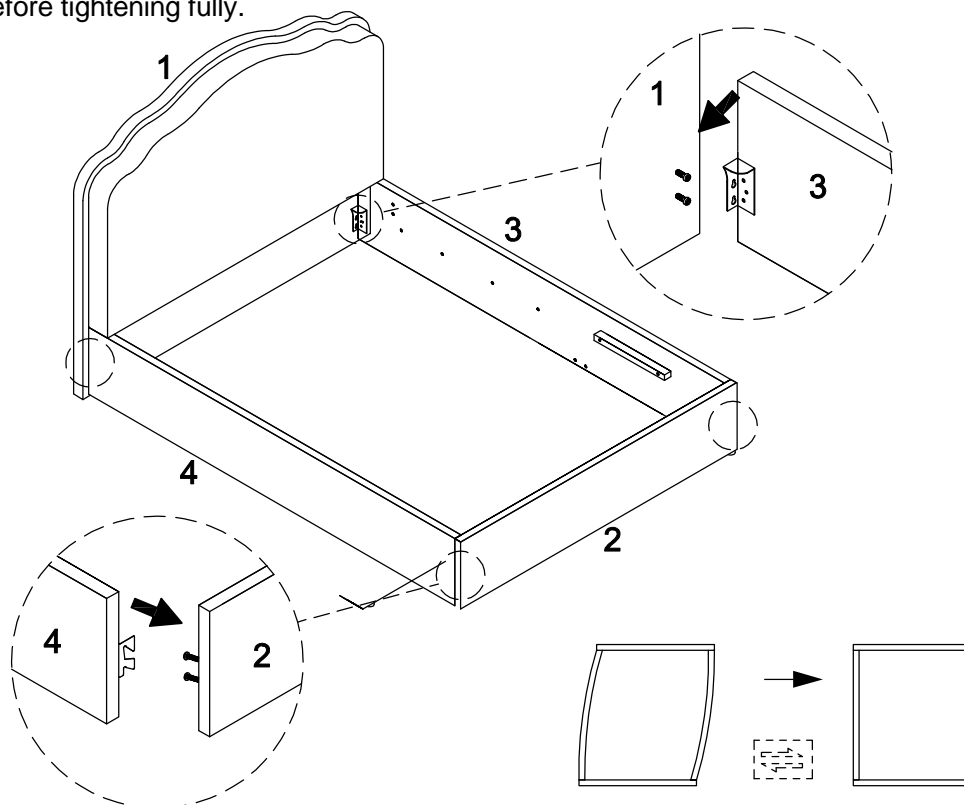
**Step 5:** Attaching the Rear RH Corner Bracket & Rear LH Corner Bracket & Front LH Corner Bracket & Front RH Corner Bracket to the RH Side Panel & LH Side Panel

A  12pcs

H  1pc



**Step 6:** Attaching the RH Side Panel & LH Side Panel to the Headboard and Footboard, hook the Corner Brackets onto the screws before tightening fully.

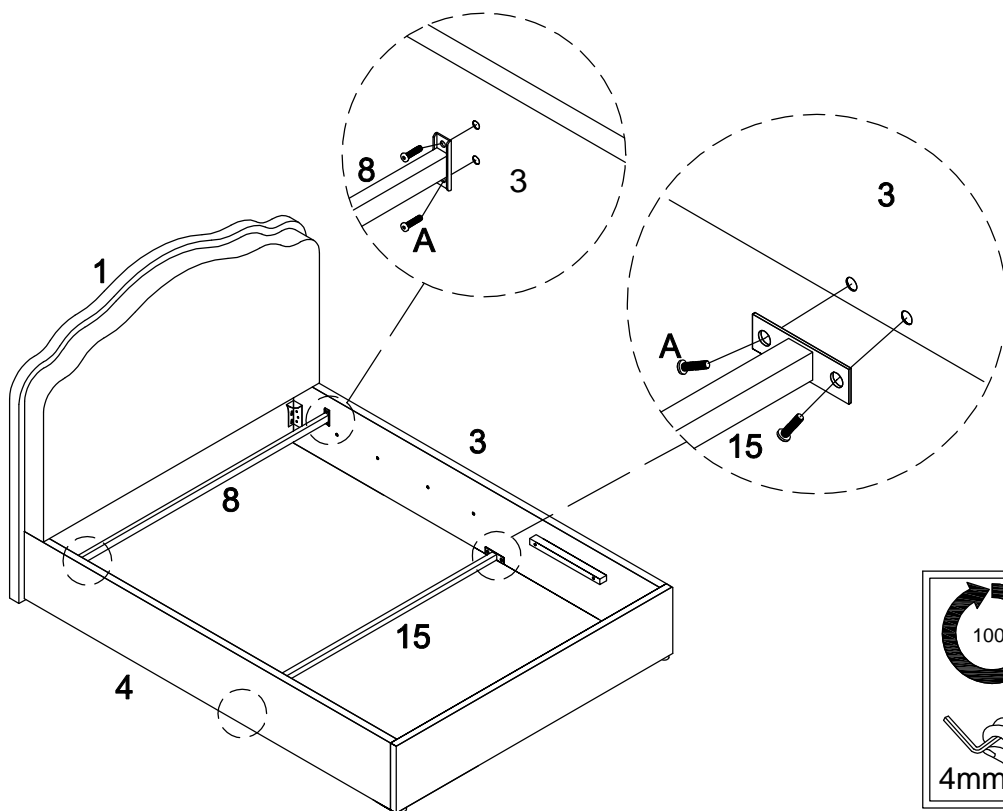




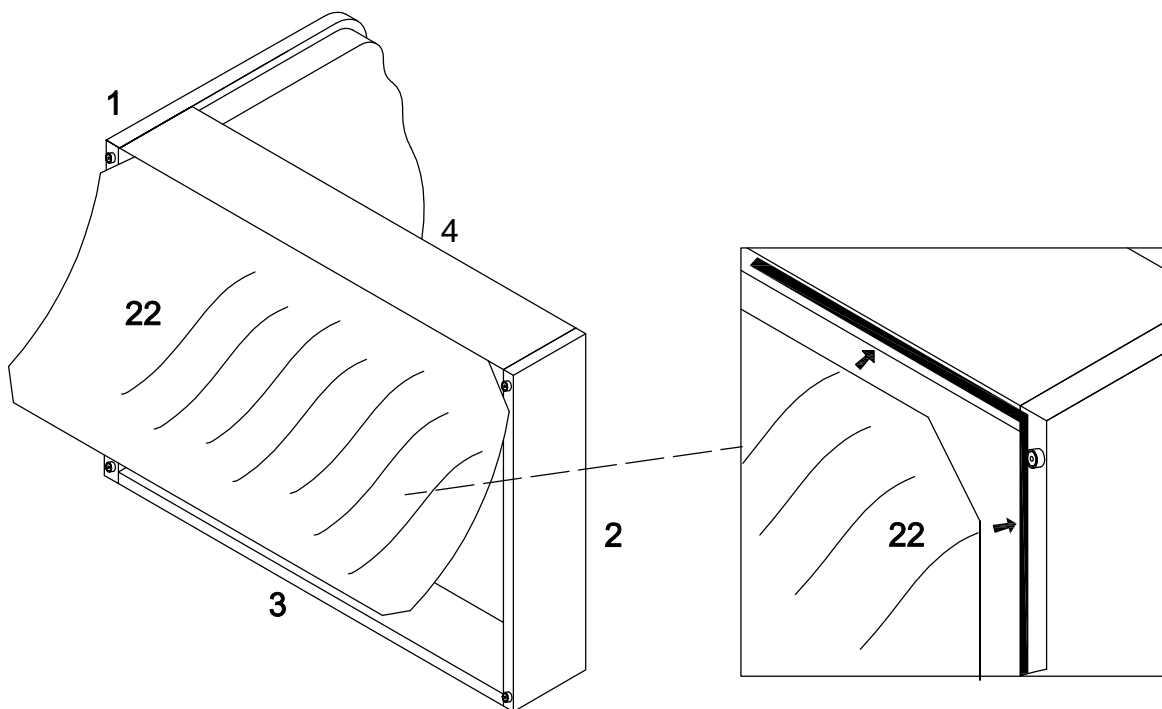
## Step 7: Attaching the Horizontal Support Rail to the RH Side Panel & LH Side Panel

A  8pcs

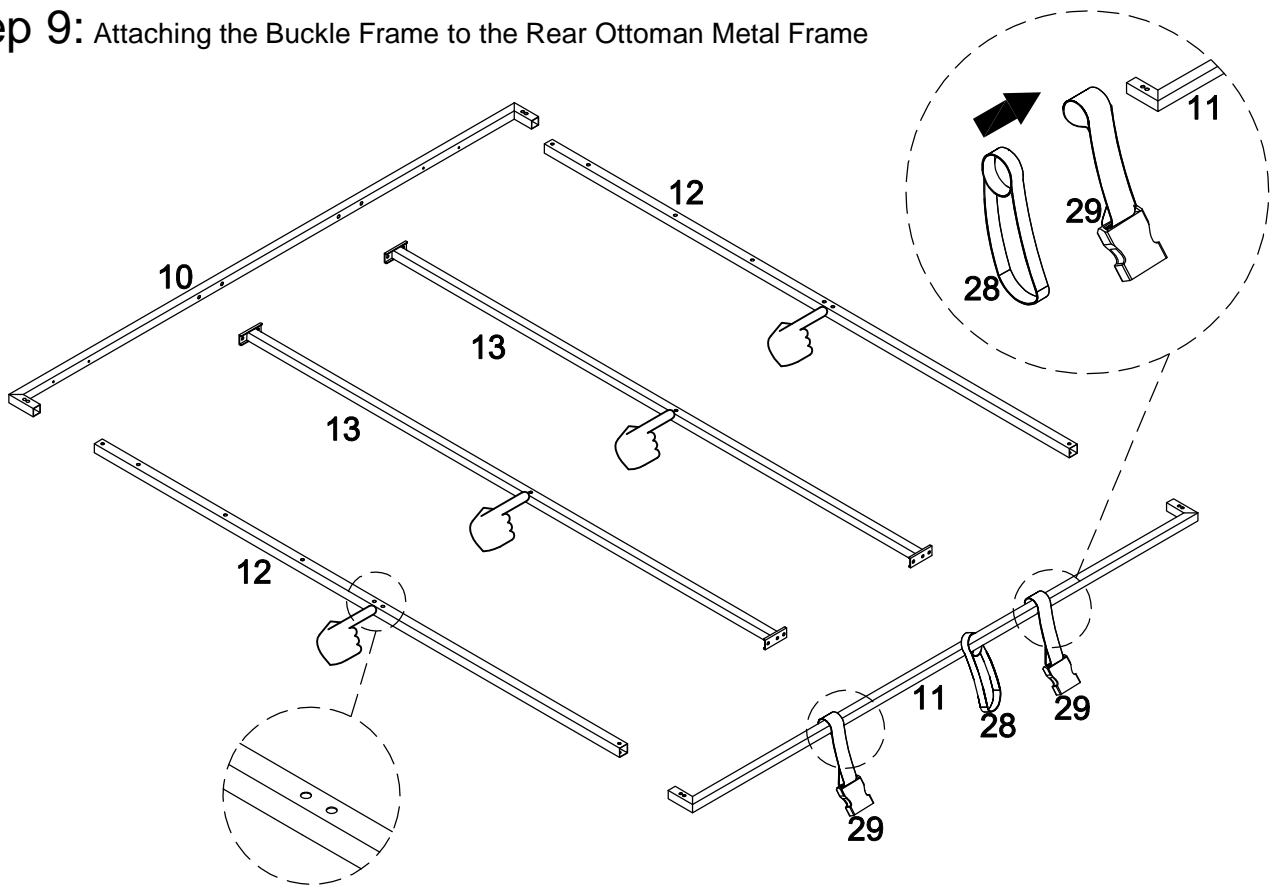
H  1pc



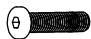




## Step 8: Attaching the Fabric Base

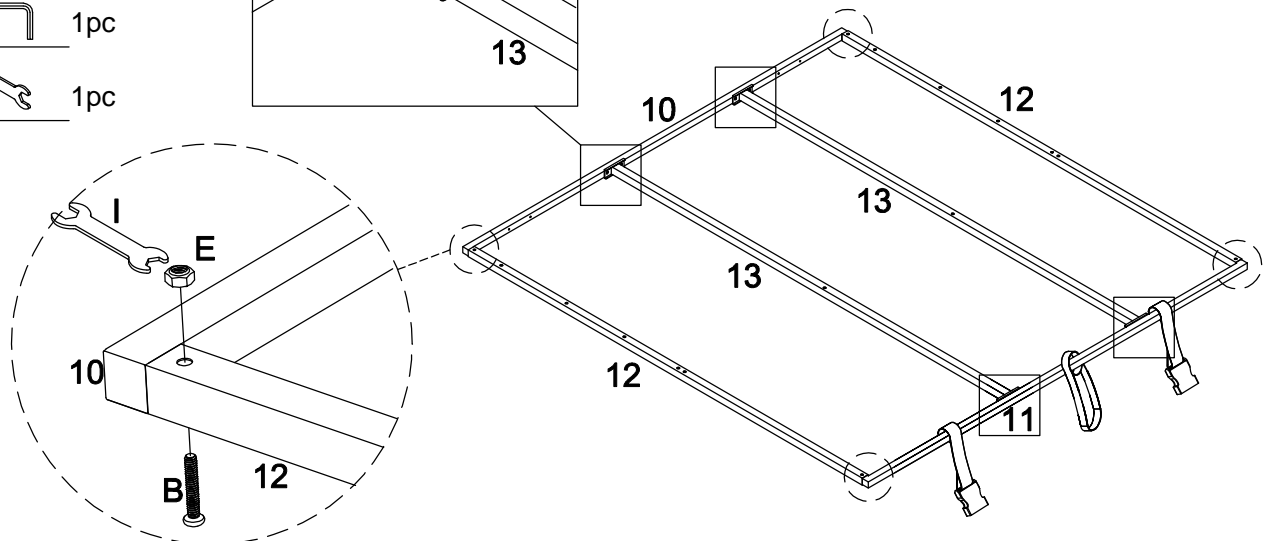
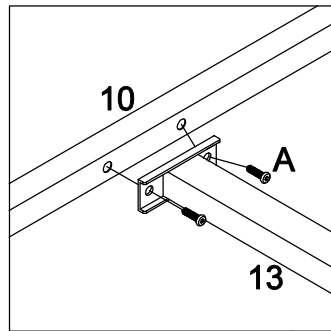


### Step 9: Attaching the Buckle Frame to the Rear Ottoman Metal Frame



### Step 10: Attaching the Side Ottoman Metal Frame & Central Support Rail to the Front Ottoman Metal Frame & Rear Ottoman Metal Frame

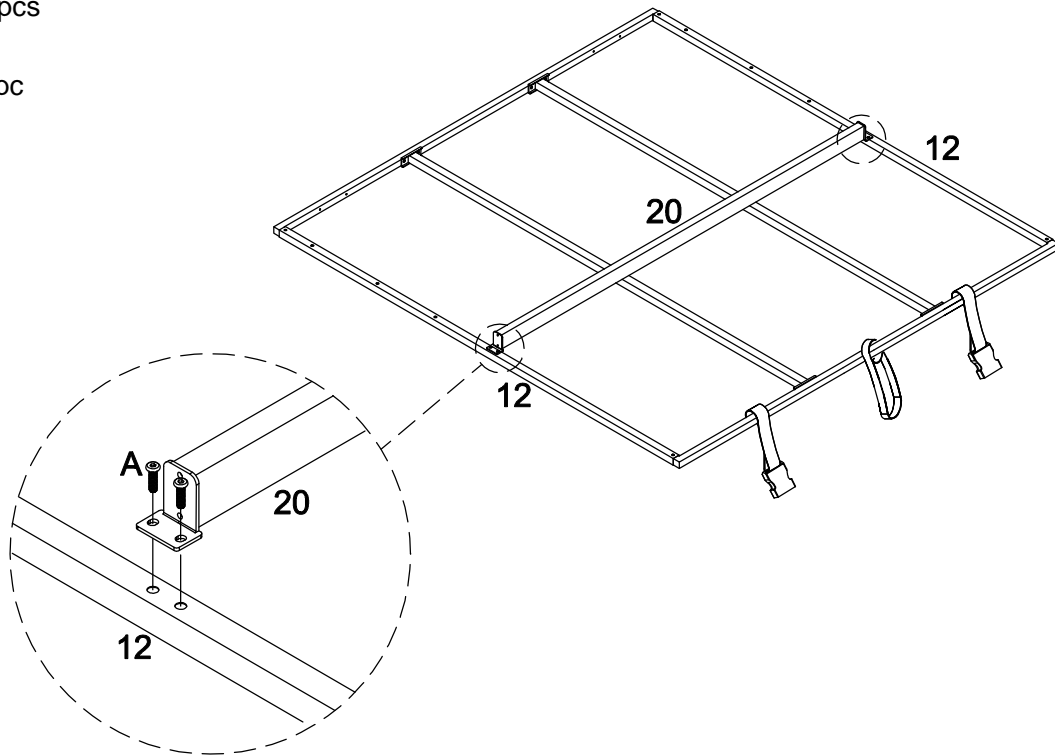
- A  8pcs
- B  4pcs
- E  4pcs
- H  1pc
- I  1pc



## Step 11: Attaching the Cross Rail to the Side Ottoman Metal Frame

A  4pcs

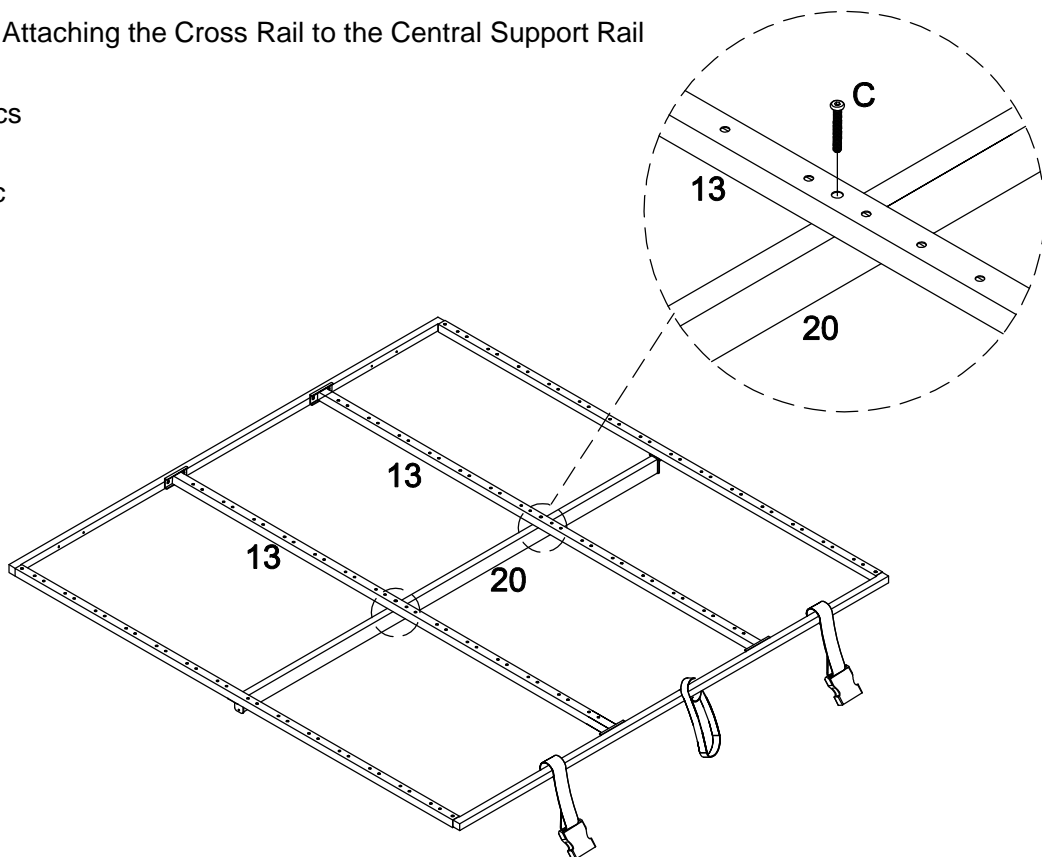
H  1pc



## Step 12: Attaching the Cross Rail to the Central Support Rail

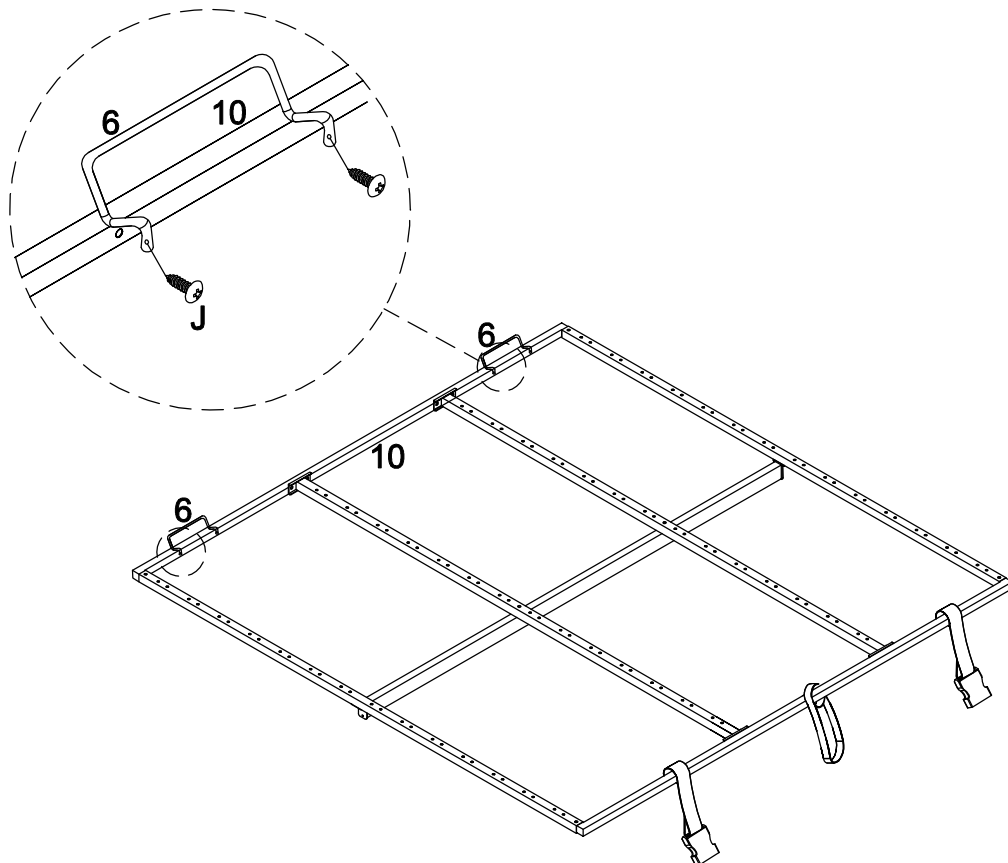
C  2pcs

H  1pc



### Step 13: Attaching the Mattress Support to the Front Ottoman Metal Frame

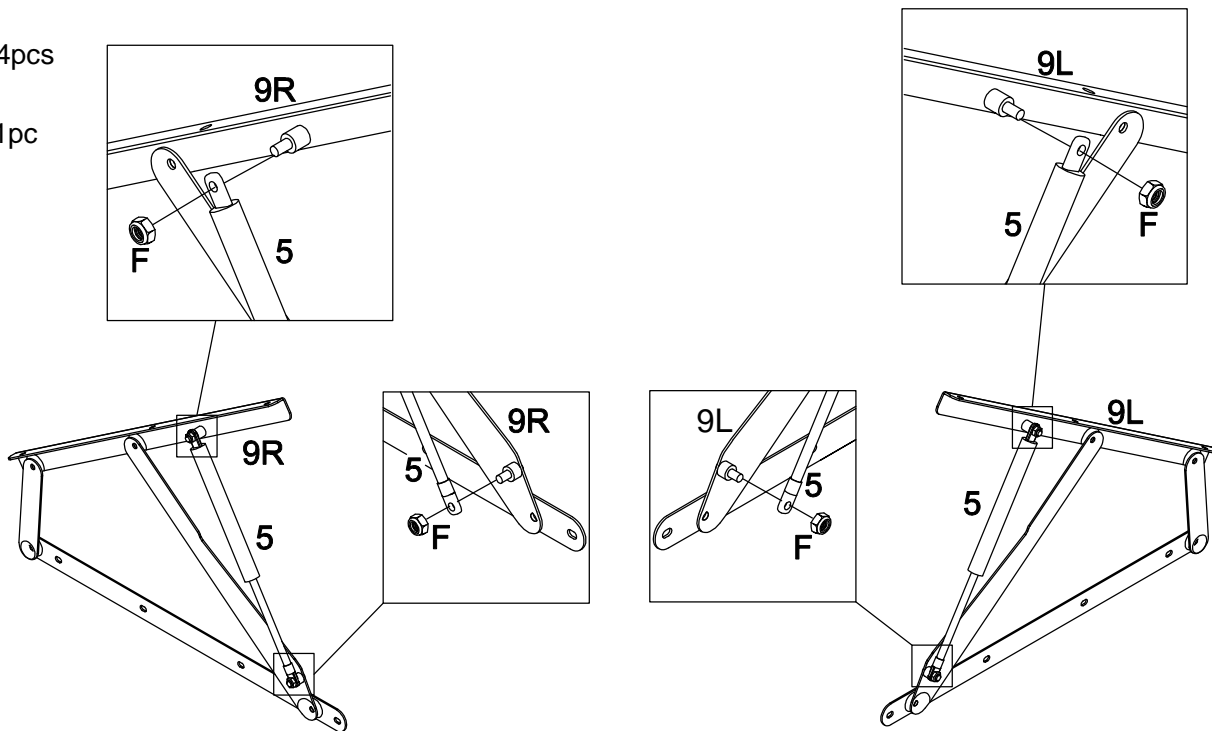
J  4pcs



### Step 14: Attaching the Gas Strut to the LH Lift Mechanism & RH Lift Mechanism

F  4pcs

I  1pc

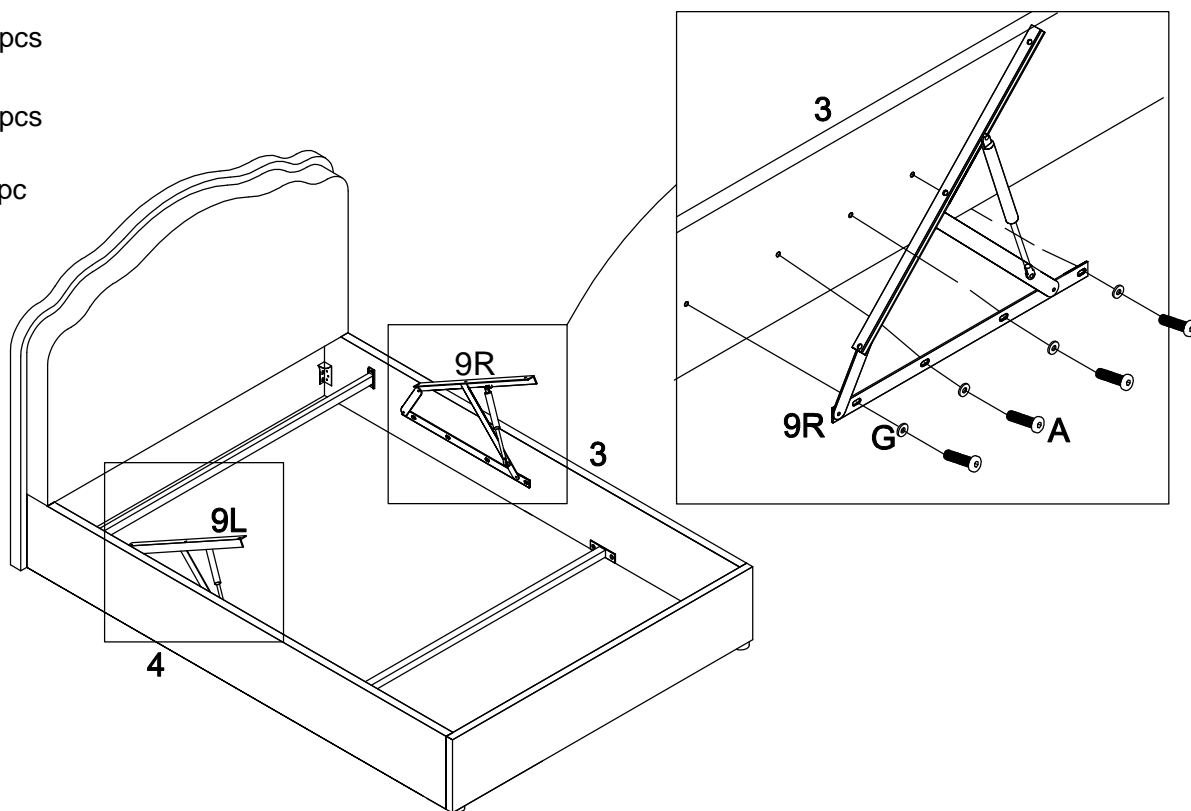


## Step 15: Attaching the LH Lift Mechanism & RH Lift Mechanism to the RH Side Panel & LH Side Panel

A  8pcs

G  8pcs

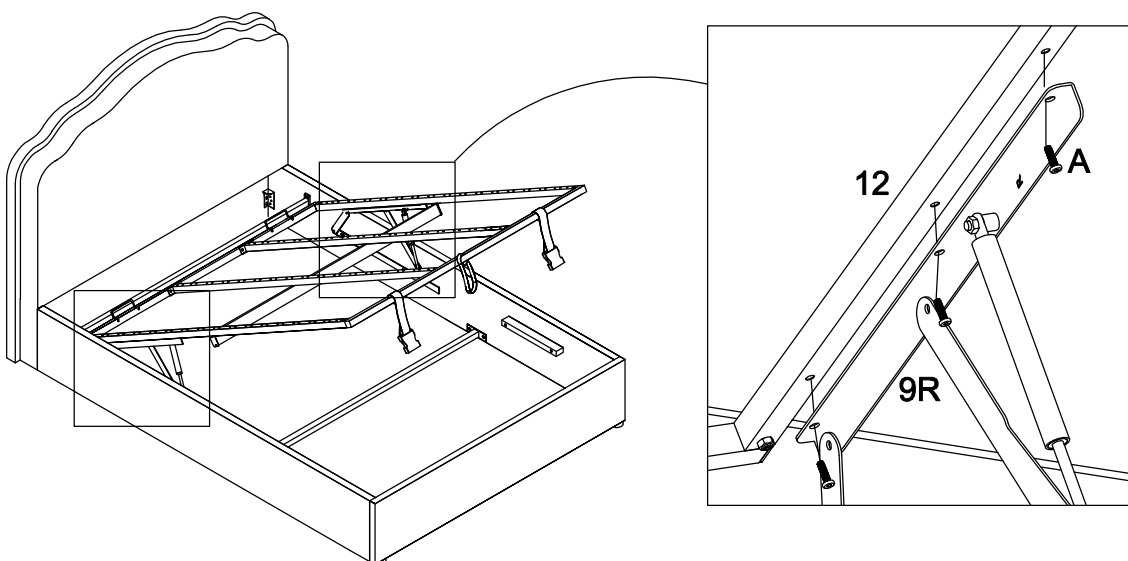
H  1pc



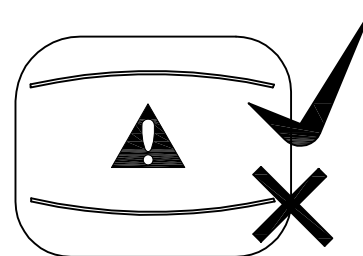
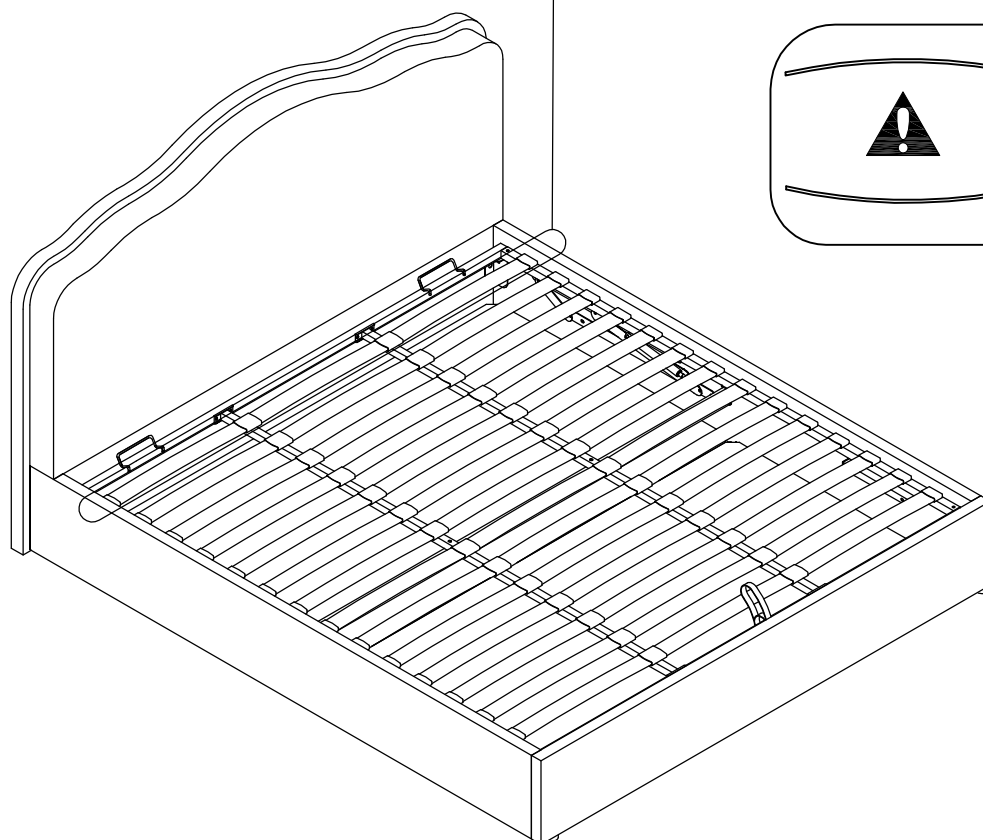
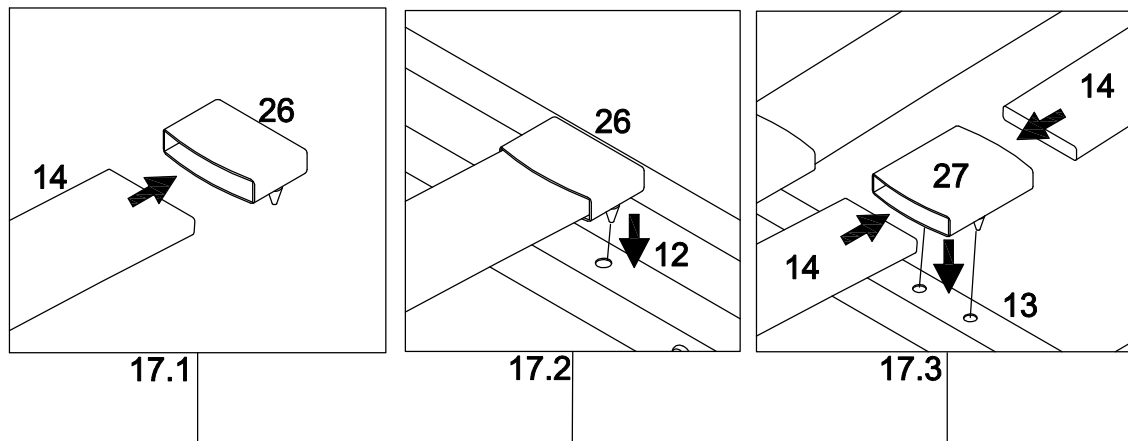
## Step 16: Attaching the Side Ottoman Metal Frame to the LH Lift Mechanism & RH Lift Mechanism

A  6pcs

H  1pc

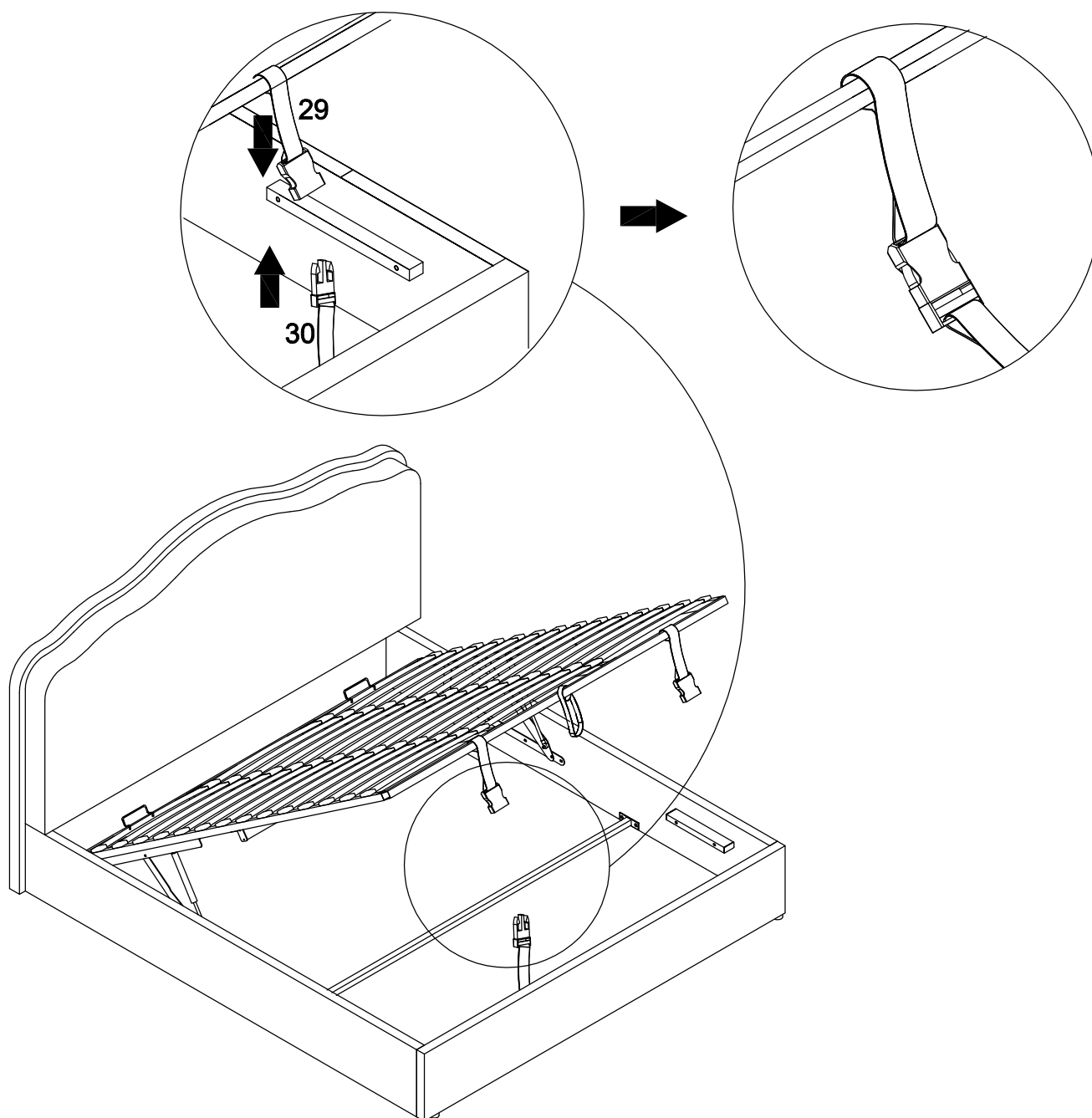


## Step 17: Attaching the Slat to the Ottoman Metal Frame



Warning: It is recommended to push the Centre Slat Caps into position before pushing down on the Side Slat Caps firmly.

## Step 18



**Warning:** Lock the buckle after close of gas-lift to avoid opening automatically.

**Warning:** If you are experiencing problems closing your gas struts please refer to the last page for trouble shooting.

# Care and Maintenance

Here are some good tips to keep your new ottoman bed frame in tip-top condition.

## Cleaning

To clean your new ottoman bed frame, we advise using a damp cloth if the fabric is dusty or a low suction vacuum. Do not use abrasive chemicals or bleach as this may damage the product.

## Checking and Moving

Periodically, we recommend you check that the screws and fixtures haven't become loose over time. To move your bed frame, we recommend lifting it where possible, as dragging or pushing it could cause damage to the legs or flooring.

## Fabric

Please note, depending on the lighting, positioning and surroundings of your room, the shade of the fabric will appear differently. Over a period of time, the fabric may also lighten or fade slightly due to light exposure.

## Gas strut/piston best use:

- Use caution when operating - always use two hands.
- Only attempt to close the ottoman frame, once the mattress has been placed on the frame. The thicker side of the cylinder should be above the thinner side - this will increase longevity of the part.
- Only attempt to close the frame with two hands from the footboard side, slowly increasing the pressure until the frame starts moving downwards.
- Closing the frame for the first time may be difficult, as the cylinder needs cycling and lubricating. After closing for the first time, open and close a further 5 times.
- If the frame is stuck open and unable to be closed, we recommend getting assistance from a second person, both applying equal pressure from each side of the footboard until the frame closes, this may require more force than expected. Stop applying pressure if the metal frame begins to warp – contact customer services at this point.

## Top tips:

- Do not attempt to close the gas strut/piston by hand, it can only be compressed once added to the frame
- Ensure the frame can move freely before adding the gas struts/pistons
- Check the frame is fully square, being offset can cause the frame to catch on the side rail