

# DUSK.COM

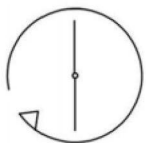
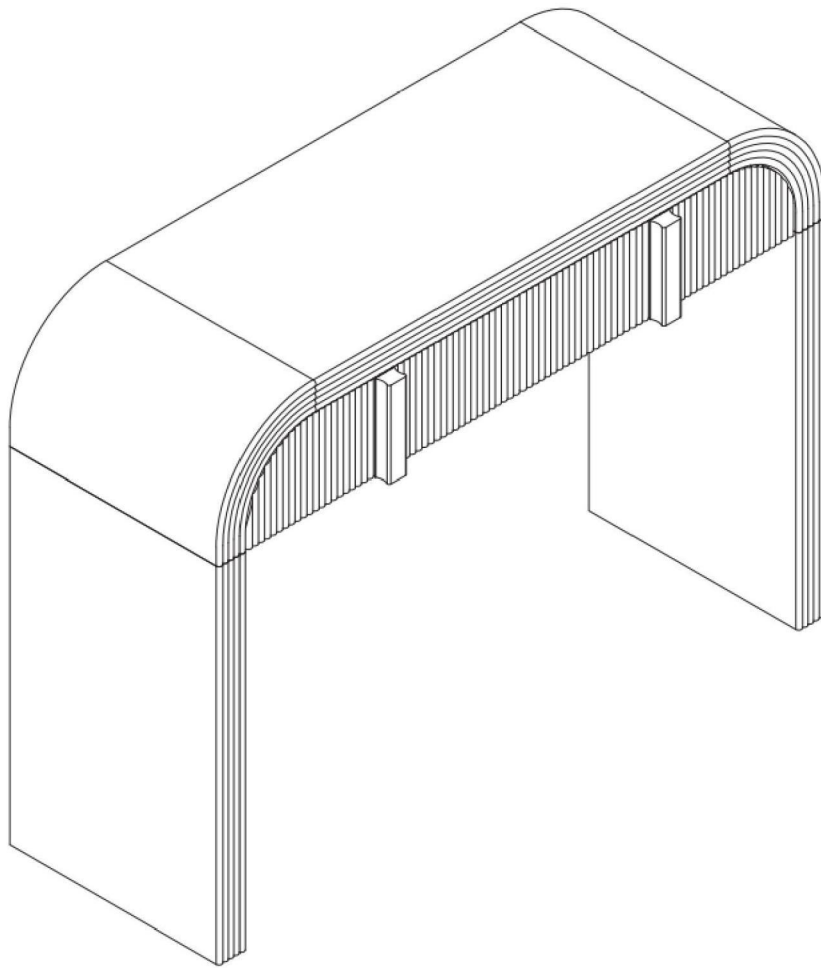
LIVING | BEDROOM | DINING

Range Name: Susie

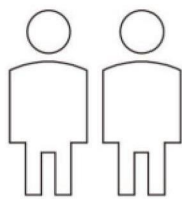
Box 1 dimensions: W123.5xD46xH40.5 cm

Product Dimension: W110xD38xH80 cm

## Dressing Table



Up to 60 minutes  
assembly time



Two person  
assembly



Electric screwdriver  
prohibited

This product is intended for domestic use only, not for commercial purposes.

P-1/9  
v-1.0

# Important

## Assembly Tip

Before you begin, we advise laying everything out on a clean and soft level surface to avoid damaging the unit or your floor. It's best to identify all of the parts and fittings to build your dressing table, and to familiarise yourself with all of the parts and fittings before building.

## Top Tip

We recommend that you build your new dressing table in the room you'd like it to be located. This will help prevent any risk of damage to the product whilst moving it.

## Safety and Care

1. It's important to ensure children and animals are kept away from the assembly area, as there are small components used in this dressing table which could present a choking hazard.  
All plastic and wrapping materials should also be kept away from children and animals to prevent any risk of suffocation.
2. Do not stand on your product.
3. Always use the item on firm level ground, ensuring all legs remain in contact with the ground.
4. Place heaviest items in the lowest drawers.
5. Do not set TV or other heavy objects on top of the product.
6. Children should always be under supervision whilst using this product. Never allow children to climb on the drawers.
7. Never keep more than one drawer open at the same time.
8. The installation of anti tipping kit to secure your furniture is strongly suggested.
9. Serious or fatal crushing injuries can occur from tipping furniture.

## Help and Support

Please contact our customer service team on 0113 519 0311 if you have any questions or issues with your purchase.

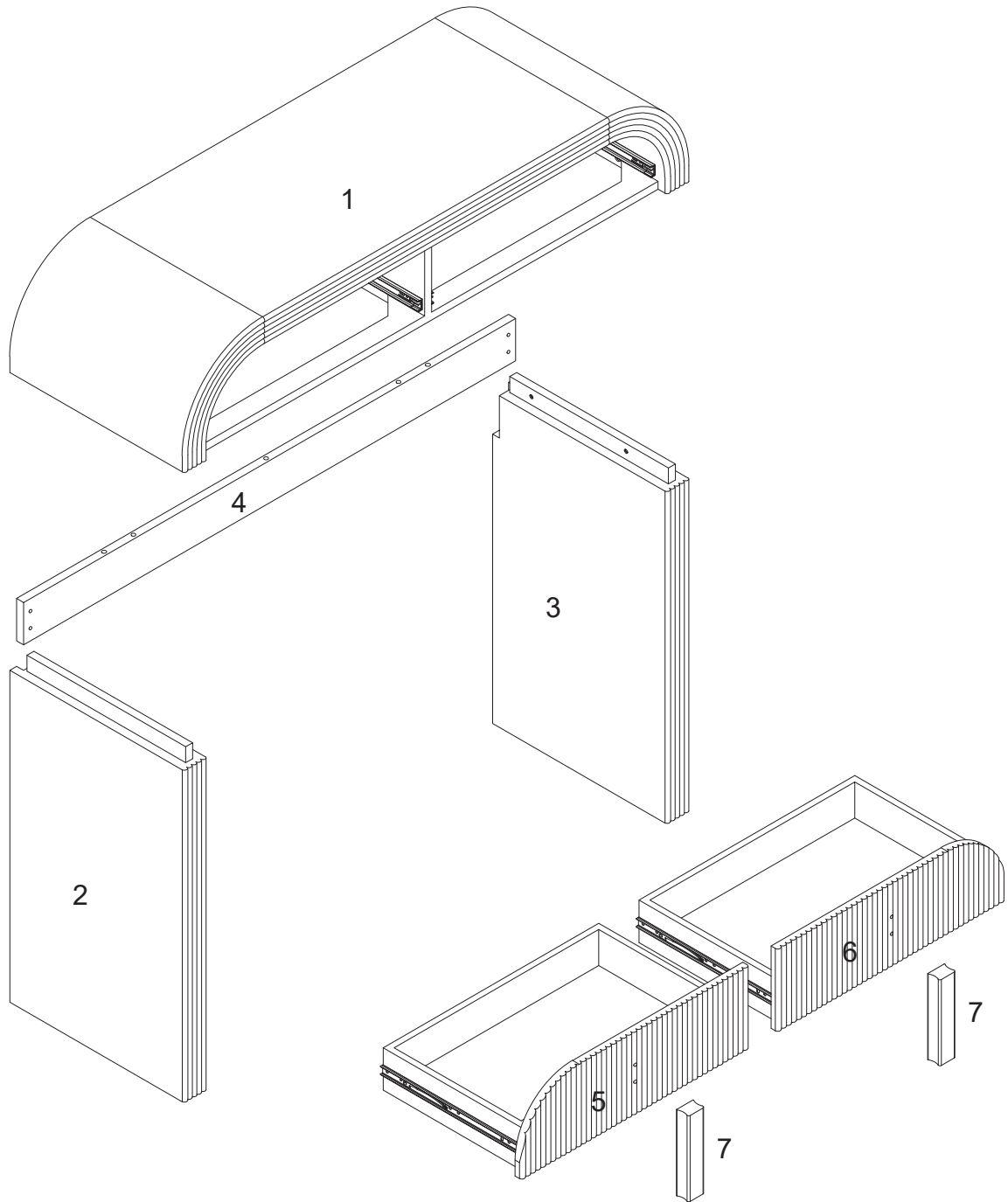
## Recycling

Please ensure that packaging is disposed of in a safe and environmentally friendly way, and recycle where possible. Please keep your assembly instructions safe to refer back to in the future.

# Care and Maintenance

1. Only clean using a damp cloth, do not use bleach or abrasive cleaners as they may damage the finish over time.
3. Do not scrub or rub the surface when cleaning.
2. Do not use a very wet cloth or allow any liquid to contact with the veneer for a long period of time. Wipe any spillage immediately. Absorption can cause wood to warp or finishes to de-laminate.
4. Do not drag the dressing table when moving, lift it off the floor instead.
5. Use a placemat or a coaster when putting hot items (e.g. hot drinks and dishes) on the wood surface.
6. It is not recommended to place the item next to sources of heat such as radiators, fires or directly exposed to sunlight. This may cause the wood to crack, split or fade due to the change of the humidity and temperature.
7. Wood will mellow and change colour over time, we recommend that ornaments and items placed on the surface to be moved regularly to prevent uneven mellowing.
8. Regularly check all fixings to ensure none have come loose. Re-tighten if necessary.
9. Avoid sharp items such as a screwdriver or any pointy tools.

# Parts list













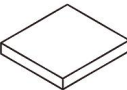
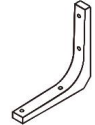






# Parts list

Before you begin building your dressing table, please take a moment to read through the instructions and make sure that you have all the relevant parts listed on the parts check list.

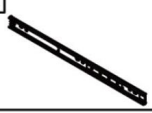
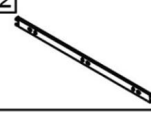

Part Number	Part Description	Quantity	Box No
1	Top Panel	1 pc	Box 1
2	Left side plate	1 pc	Box 1
3	Right side plate	1 pc	Box 1
4	Back panel strip	1 pc	Box 1
5	Left drawer	1 pc	Box 1
6	Right drawer	1 pc	Box 1
7	Handle	2 pcs	Box 1

# Fittings Checklist

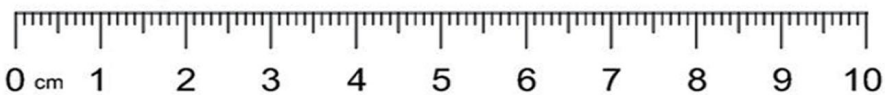
Please check you have all the fittings listed below with your product in Box 1.

<p><b>A</b></p>  <p>M6x35mm Cam Bolt x3pcs(+1 extra)</p>	<p><b>B</b></p>  <p>Ø15x9mm Cam Lock x3pcs(+1 extra)</p>	<p><b>C</b></p>  <p>Ø8x30mm Wood Dowel x2pcs(+1 extra)</p>
<p><b>D</b></p>  <p>Allen wrench x1pc</p>	<p><b>E</b></p>  <p>M8x30mm Bolt x8pcs(+1 extra)</p>	<p><b>F</b></p>  <p>Ø8x12mm Spring washer x4pcs(+1 extra)</p>
<p><b>G</b></p>  <p>Ø8x16mm Washer x8pcs(+1 extra)</p>	<p><b>H</b></p>  <p>Screwdriver x1pc</p>	<p><b>I</b></p>  <p>M6x25mm Bolt x4pcs(+1 extra)</p>
<p><b>J</b></p>  <p>Cover x7pcs(+1 extra)</p>	<p><b>K</b></p>  <p>Ø45x45mm Foot mat x4pcs(+2 extra)</p>	<p><b>L</b></p>  <p>Tripod x2pcs</p>
<p><b>M</b></p>  <p>M4x18mm Screw x8pcs(+2 extra)</p>	<p><b>N</b> x2</p>  <p>100*20mm N<sub>1</sub></p>  <p>x2 N<sub>2</sub></p>  <p>4*16mm N<sub>3</sub></p>  <p>3*30mm N<sub>4</sub></p>  <p>6*30mm N<sub>5</sub></p>	

## Pre-assembled Fittings.

<p><b>e<sub>1</sub></b></p>  <p>Slide 4pcs</p>	<p><b>e<sub>2</sub></b></p>  <p>Slide 4pcs</p>	<p><b>Y</b></p>  <p>Ø3x12mm Screw 24pcs</p>
---	---	--

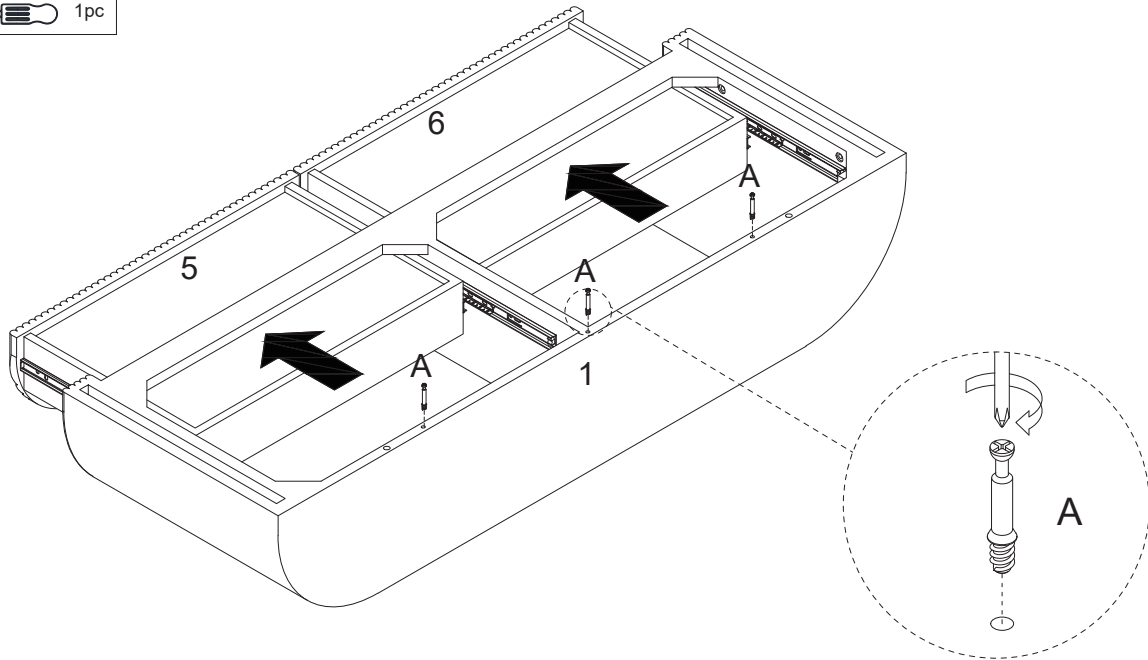
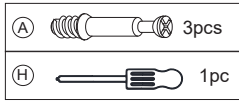
## Bolt Length Ruler:



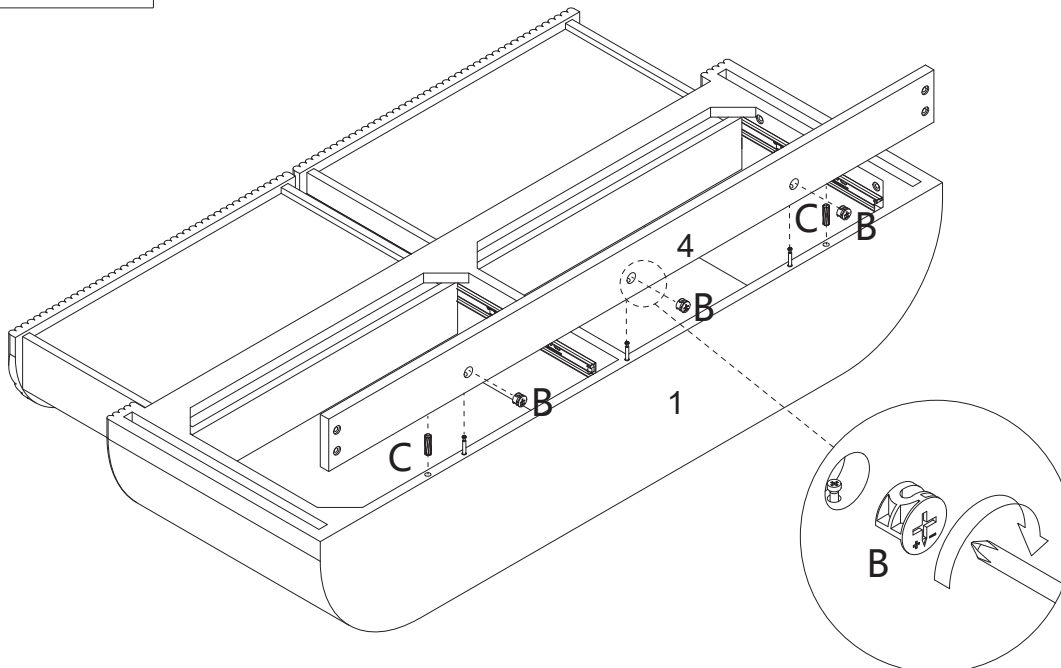
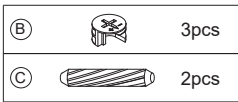
## Tool required





Step 1: Pull drawers No. 5 and No. 6 to the limit.  
Install the eccentric rod A onto panels 1.

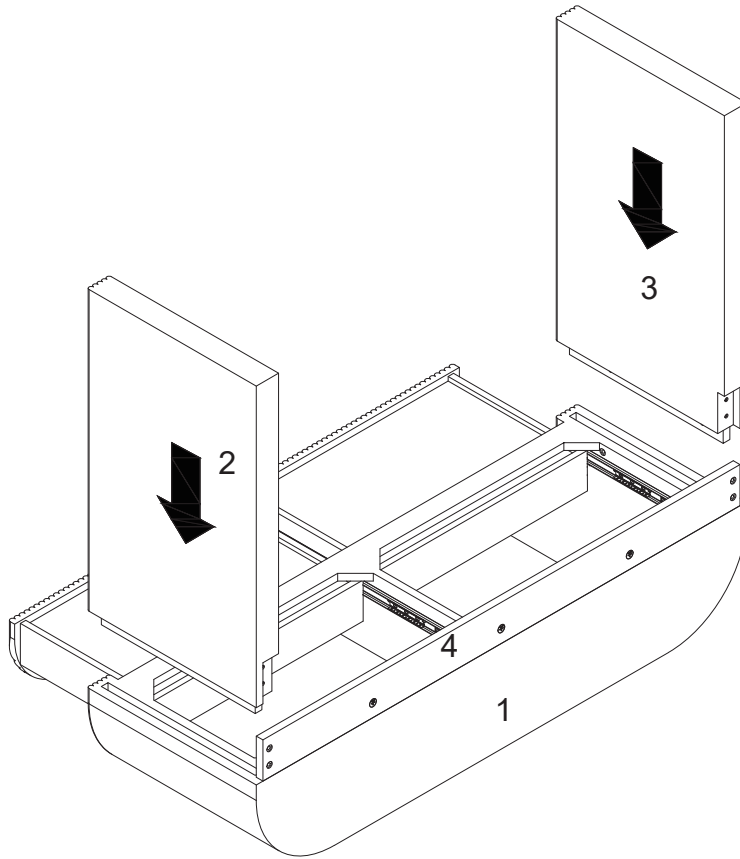


Step 2: Connect panel 4 to panel 1 with a wooden tenon C, and then turn the eccentric wheel B Tighten it clockwise.







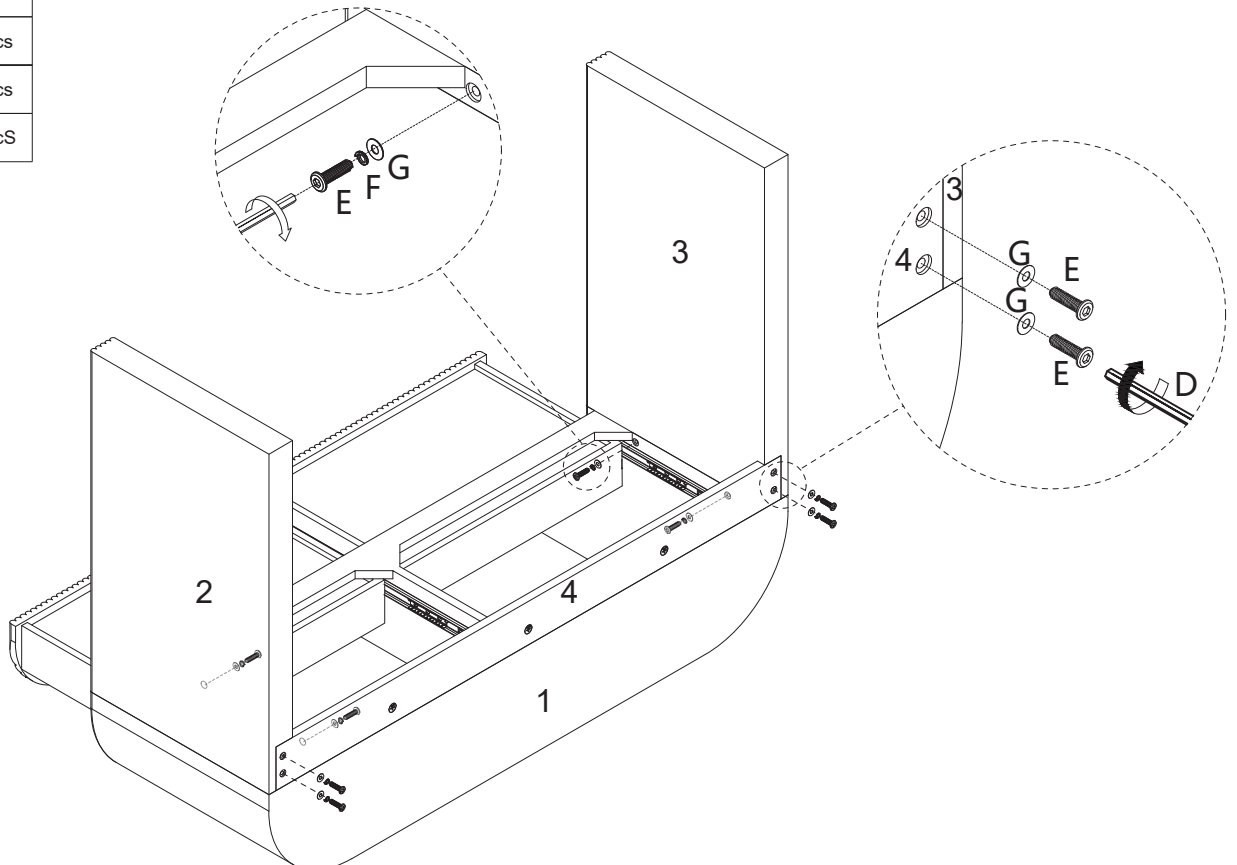
### Step 3: Insert Panels 2 and 3 into Panel 1.

(B)		3pcs
(C)		2pcs




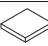


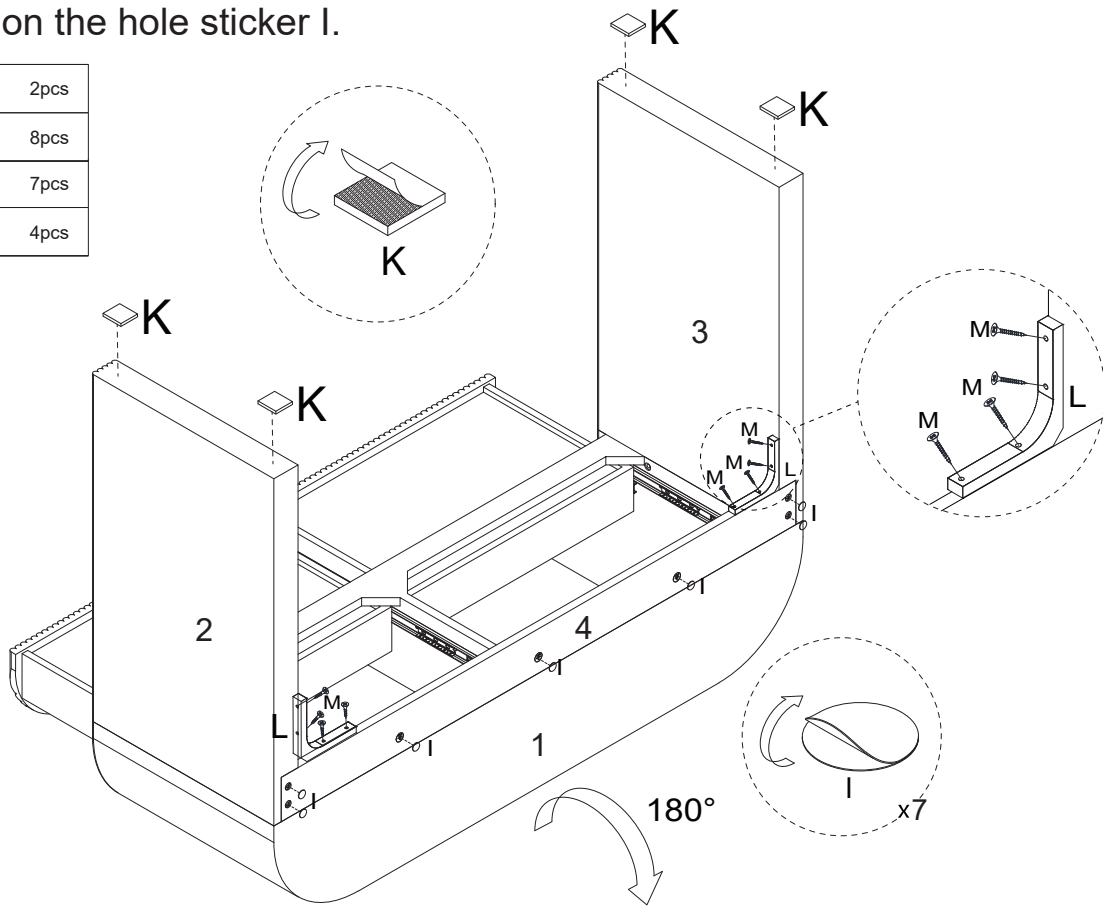
### Step 4: Fix panels 2&3 to panels 1&4 with screws E and accessories F&G.

(D)		1pc
(E)		8pcs
(F)		4pcs
(G)		8pcS




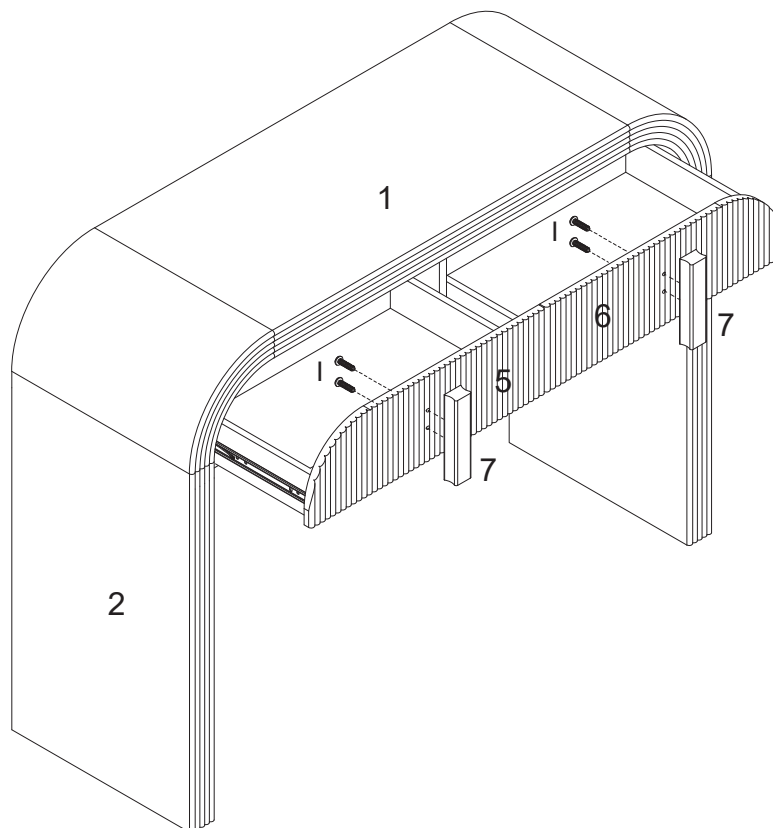
Step 5: Fix the tripod on panels 2&3&4.  
then stick the foot pad K on.  
and stick on the hole sticker I.

L		2pcs
M		8pcs
I		7pcs
K		4pcs

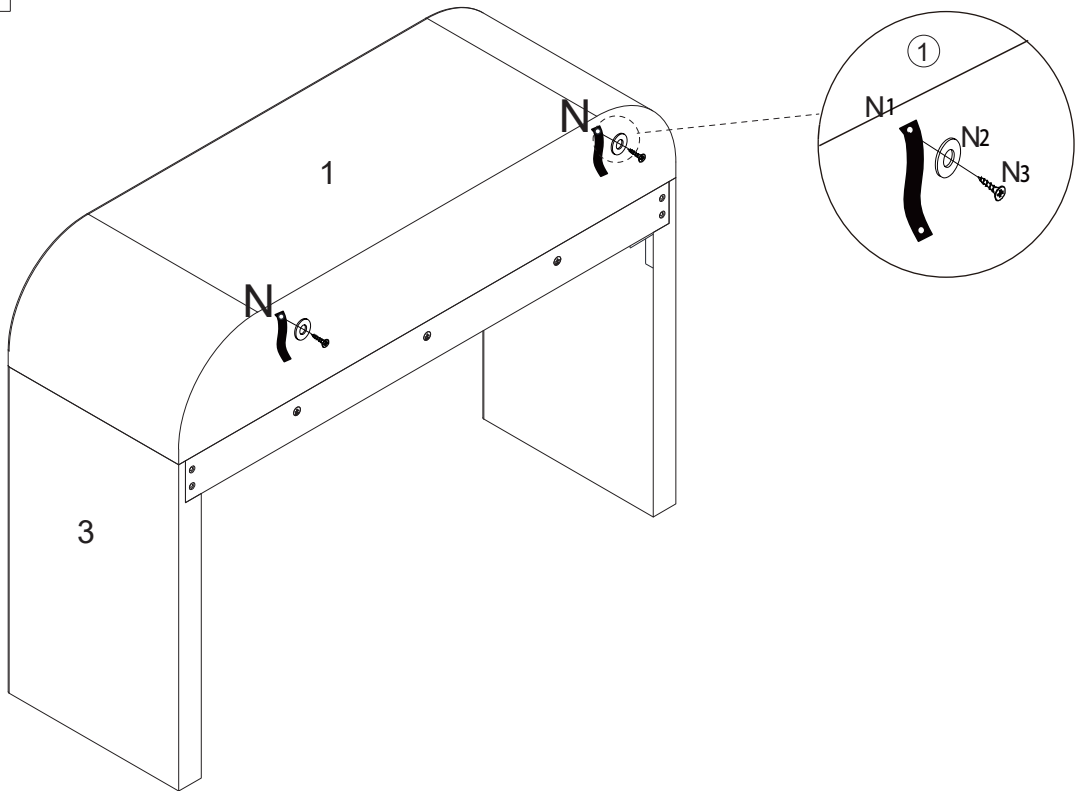
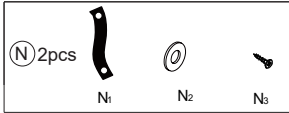


Step 6: Fix the handle on drawers 5 and 6 and secure it with screw I

I		4pcs
---	---	------



## Step 7: Install anti-toppling devices.



## Step 8: Put the drawer into the frame.

