

# DUSK.COM

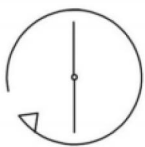
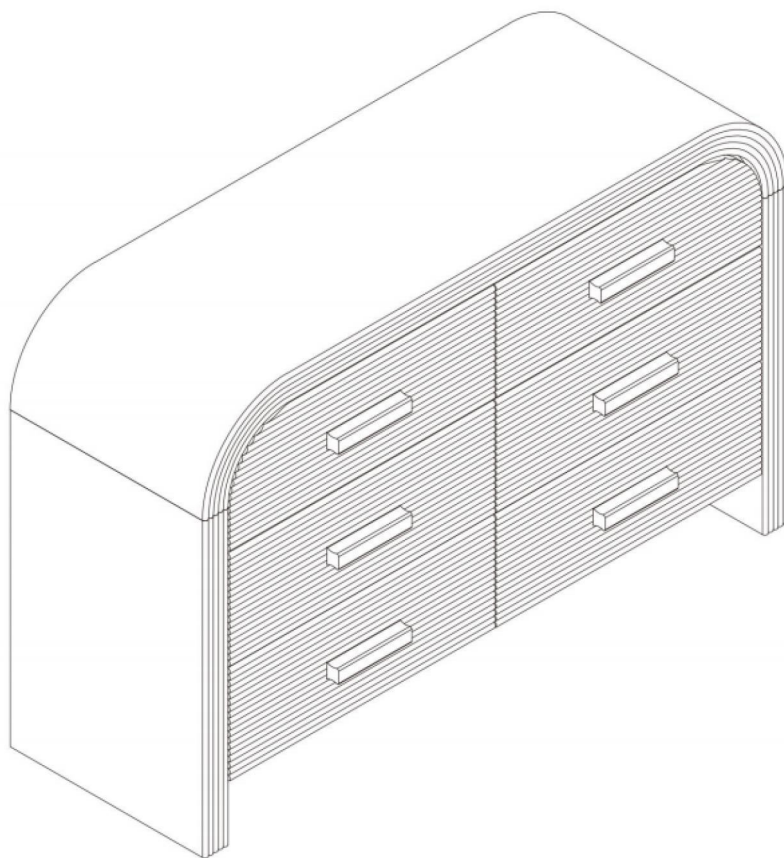
LIVING | BEDROOM | DINING

Range Name : Susie

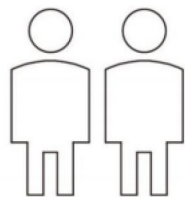
Box 1 dimensions : W134xD48.5xH38 cm

Product Dimension : W120xD40xH80 cm

## 6 Drawer Chest



Up to 60 minutes  
assembly time



Two person  
assembly



Electric screwdriver  
prohibited

This product is intended for domestic use only, not for commercial purposes.

# Important

## Assembly Tip

Before you begin, we advise laying everything out on a clean and soft level surface to avoid damaging the unit or your floor. It's best to identify all of the parts and fittings to build your 6 drawer chest, and to familiarise yourself with all of the parts and fittings before building.

## Top Tip

We recommend that you build your new 6 drawer chest in the room you'd like it to be located. This will help prevent any risk of damage to the product whilst moving it.

## Safety and Care

1. It's important to ensure children and animals are kept away from the assembly area, as there are small components used in this 6 drawer chest which could present a choking hazard.  
All plastic and wrapping materials should also be kept away from children and animals to prevent any risk of suffocation.
2. Do not stand on your product.
3. Always use the item on firm level ground, ensuring all legs remain in contact with the ground.
4. Place heaviest items in the lowest drawers.
5. Do not set TV or other heavy objects on top of the product.
6. Children should always be under supervision whilst using this product. Never allow children to climb on the drawers.
7. Never keep more than one drawer open at the same time.
8. The installation of anti tipping kit to secure your furniture is strongly suggested.
9. Serious or fatal crushing injuries can occur from tipping furniture.

## Help and Support

Please contact our customer service team on 0113 519 0311 if you have any questions or issues with your purchase.

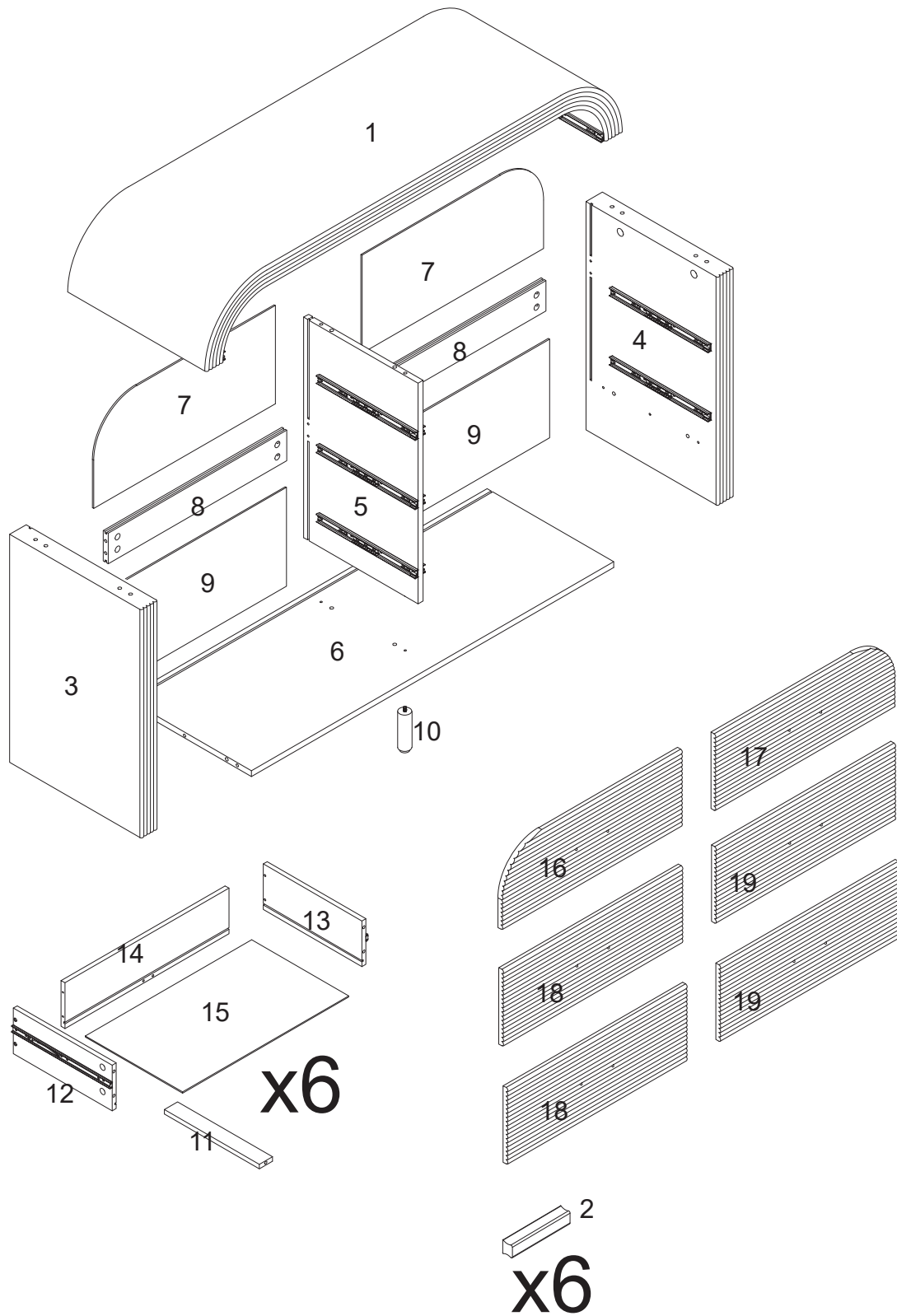
## Recycling

Please ensure that packaging is disposed of in a safe and environmentally friendly way, and recycle where possible. Please keep your assembly instructions safe to refer back to in the future.

# Care and Maintenance

1. Only clean using a damp cloth, do not use bleach or abrasive cleaners as they may damage the finish over time.
2. Do not scrub or rub the surface when cleaning
3. Do not use a very wet cloth or allow any liquid to contact with the veneer for a long period of time. Wipe any spillage immediately. Absorption can cause wood to warp or finishes to de-laminate.
4. Do not drag the 6 drawer chest when moving, lift it off the floor instead.
5. Use a placemat or a coaster when putting hot items (e.g. hot drinks and dishes) on the wood surface.
6. It is not recommended to place the item next to sources of heat such as radiators, fires or directly exposed to sunlight. This may cause the wood to crack, split or fade due to the change of the humidity and temperature.
7. Wood will mellow and change colour over time, we recommend that ornaments and items placed on the surface to be moved regularly to prevent uneven mellowing.
8. Regularly check all fixings to ensure none have come loose. Re-tighten if necessary.
9. Avoid sharp items such as a screwdriver or any pointy tools.

# Parts list



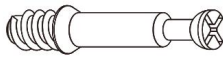








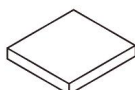





# Parts list

Before you begin building your 6 drawer chest, please take a moment to read through the instructions and make sure that you have all the relevant parts listed on the parts check list.




Part Number	Part Description	Quantity	Box No
1	Top Panel	1 pc	Box 1
2	Handle	6 pcs	Box 1
3	Left side plate	1 pc	Box 1
4	Right side plate	1 pc	Box 1
5	Middle panel	1 pc	Box 1
6	Bottom Panel	1 pc	Box 1
7	Back Panel	2 pcs	Box 1
8	Back panel strip	2 pcs	Box 1
9	Back Panel	2 pcs	Box 1
10	Support foot	1 pc	Box 1
11	Drawer support bar	6 pcs	Box 1
12	Drawer Left side	6 pcs	Box 1
13	Drawer Right side	6 pcs	Box 1
14	Drawer Back side	6 pcs	Box 1
15	Drawer Bottom	6 pcs	Box 1
16	Drawer Front	1 pc	Box 1
17	Drawer Front	1 pc	Box 1
18	Drawer Front	2 pcs	Box 1
19	Drawer Front	2 pcs	Box 1

# Fittings Checklist

Please check you have all the fittings listed below with your product in Box 1.

<p><b>A</b></p>  <p>M6x35mm Cam Bolt x52pcs(+5 extra)</p>	<p><b>B</b></p>  <p>Ø15x9mm Cam Lock x52pcs(+5 extra)</p>	<p><b>C</b></p>  <p>Ø8x30mm Wood Dowel x12pcs(+2 extra)</p>
<p><b>D</b></p>  <p>M4x35mm Screw x36pcs(+3 extra)</p>	<p><b>E</b></p>  <p>M6x25mm Bolt x12pcs(+2 extra)</p>	<p><b>F</b></p>  <p>Plastic Buckle x16pcs(+2 extra)</p>
<p><b>G</b></p>  <p>M3x14mm Screw x16pcs(+2 extra)</p>	<p><b>H</b></p>  <p>Screwdriver x1pc</p>	<p><b>I</b></p>  <p>Cover x32pcs(+3 extra)</p>
<p><b>J</b></p>  <p>Ø45x45mm Foot mat x4pcs(+2 extra)</p>	<p><b>K</b> x2</p>      <p>100*20mm K<sub>1</sub>      K<sub>2</sub>      4*14mm K<sub>3</sub>      3*30mm K<sub>4</sub>      6*30mm K<sub>5</sub></p>	

## Pre-assembled Fittings.

<p><b>e<sub>1</sub></b></p>  <p>Slide 12pcs</p>	<p><b>e<sub>2</sub></b></p>  <p>Slide 12pcs</p>	<p><b>Y</b></p>  <p>Ø3x12mm Screw 72pcs</p>
--	--	--

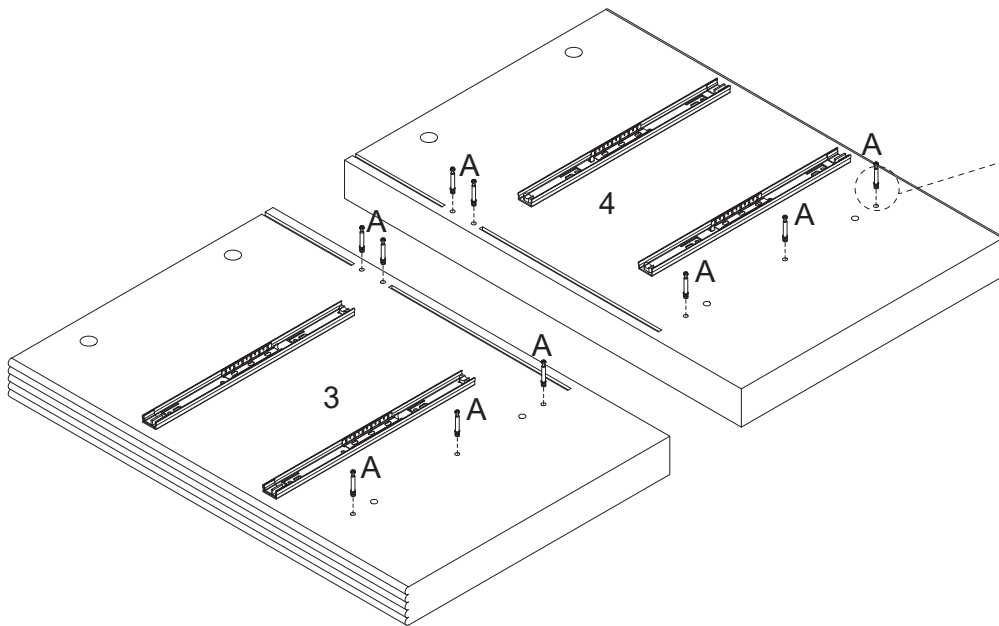
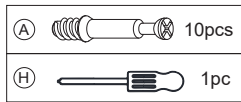
## Bolt Length Ruler:



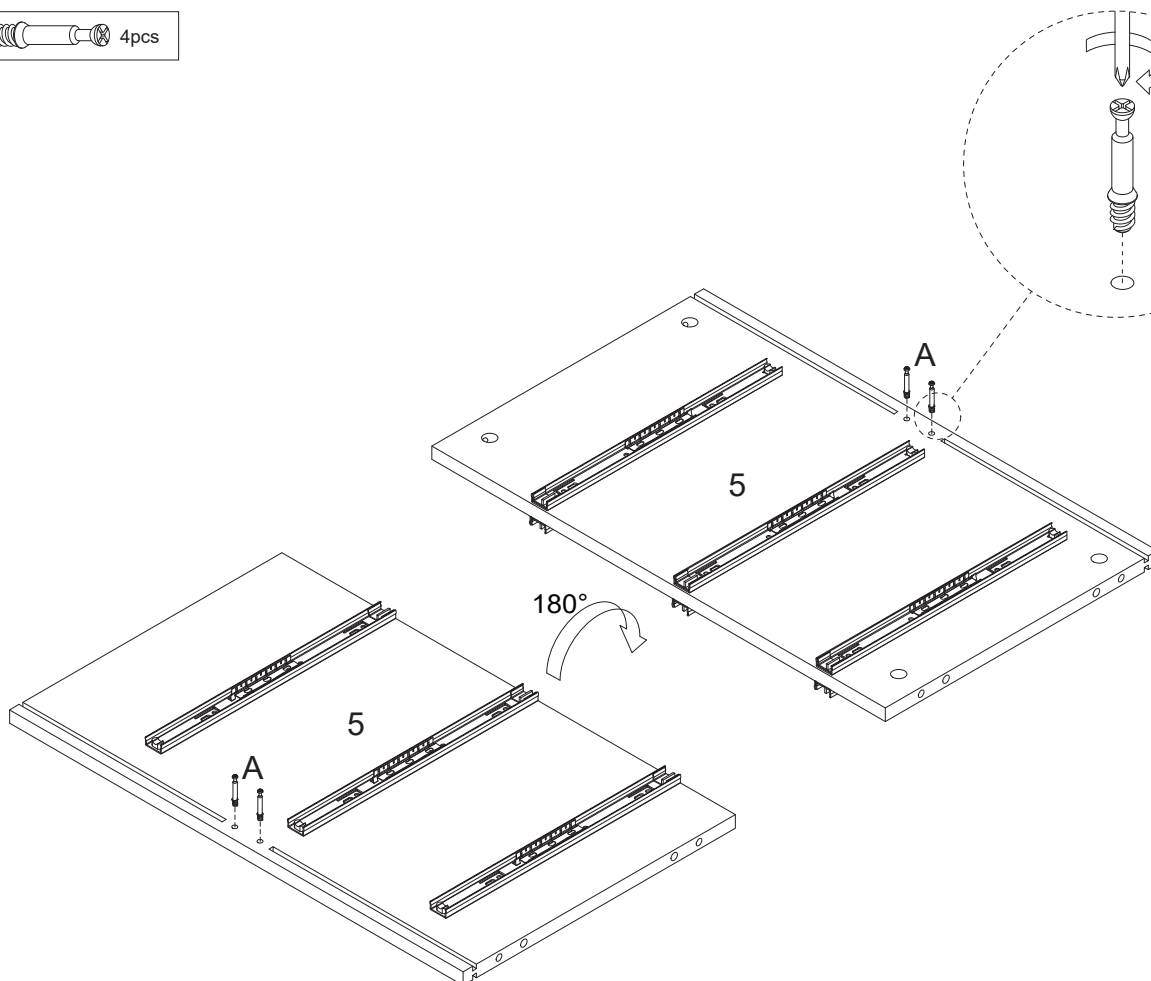
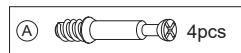
## Tool required



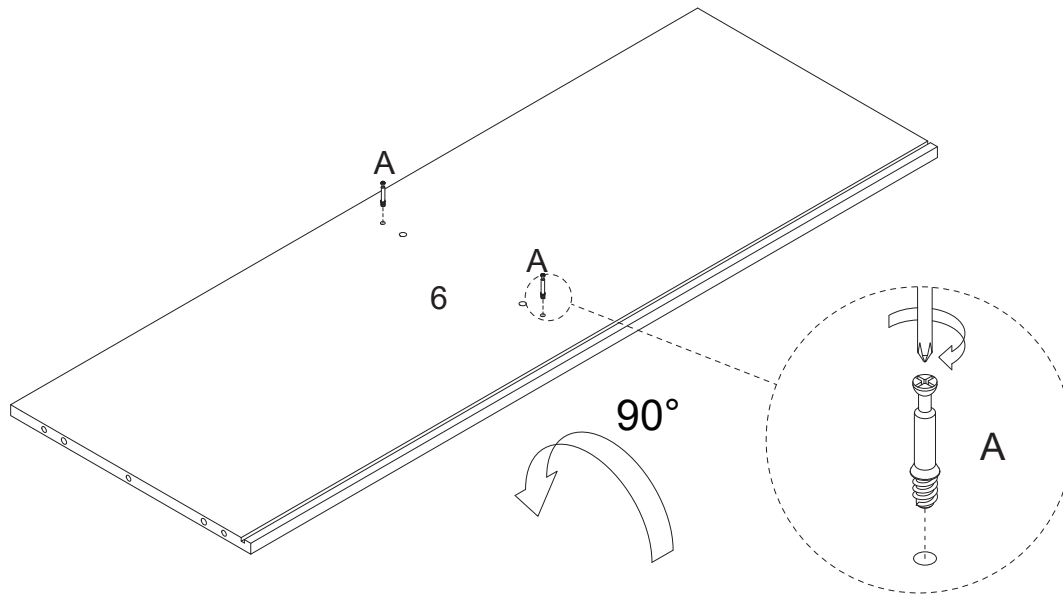
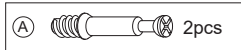
## Step 1: Install the eccentric rod A onto panels 3&4.



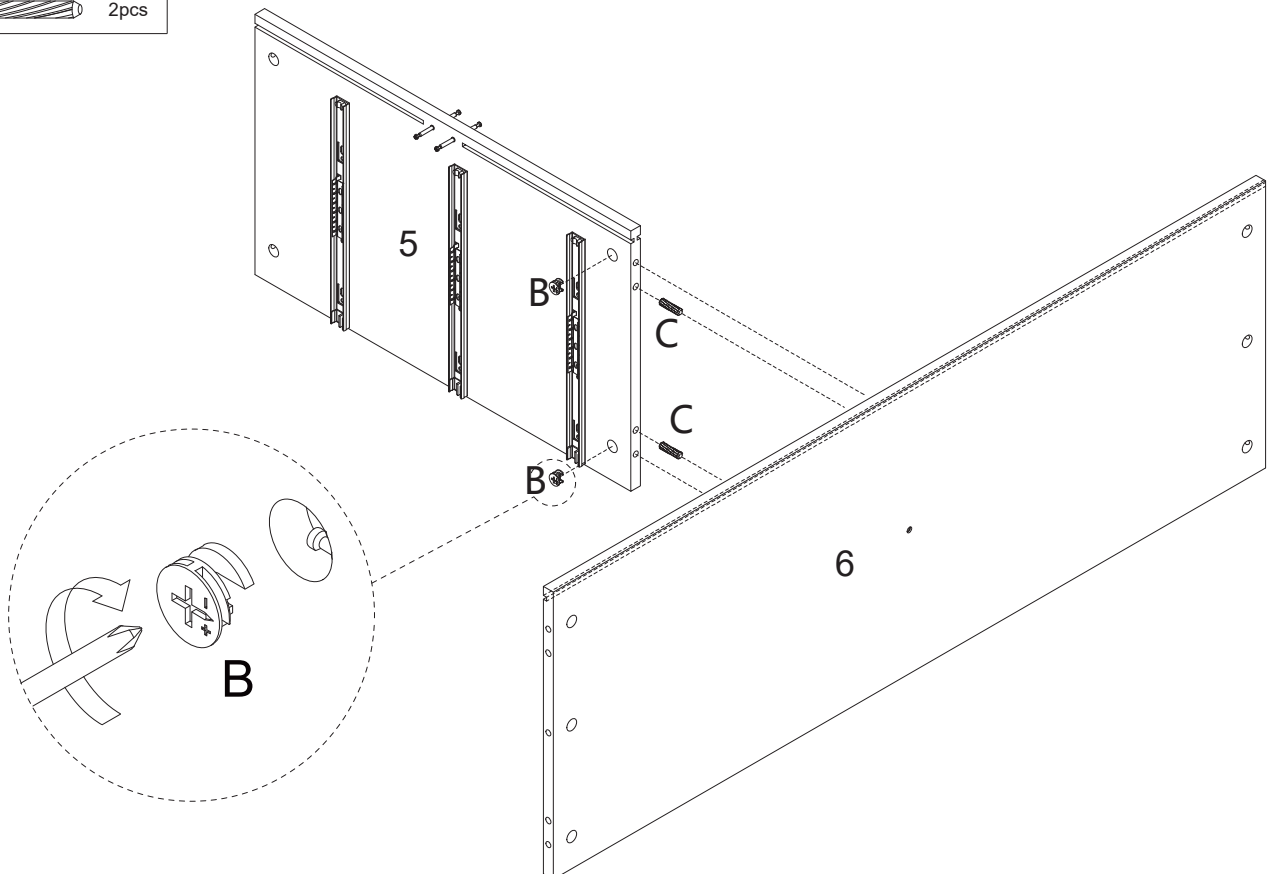
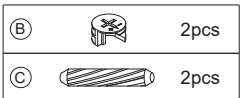
## Step 2: Install the eccentric rod onto panel 5, then flip it 180° to install the other side



Step 3: Install the eccentric rod A onto panels 6.

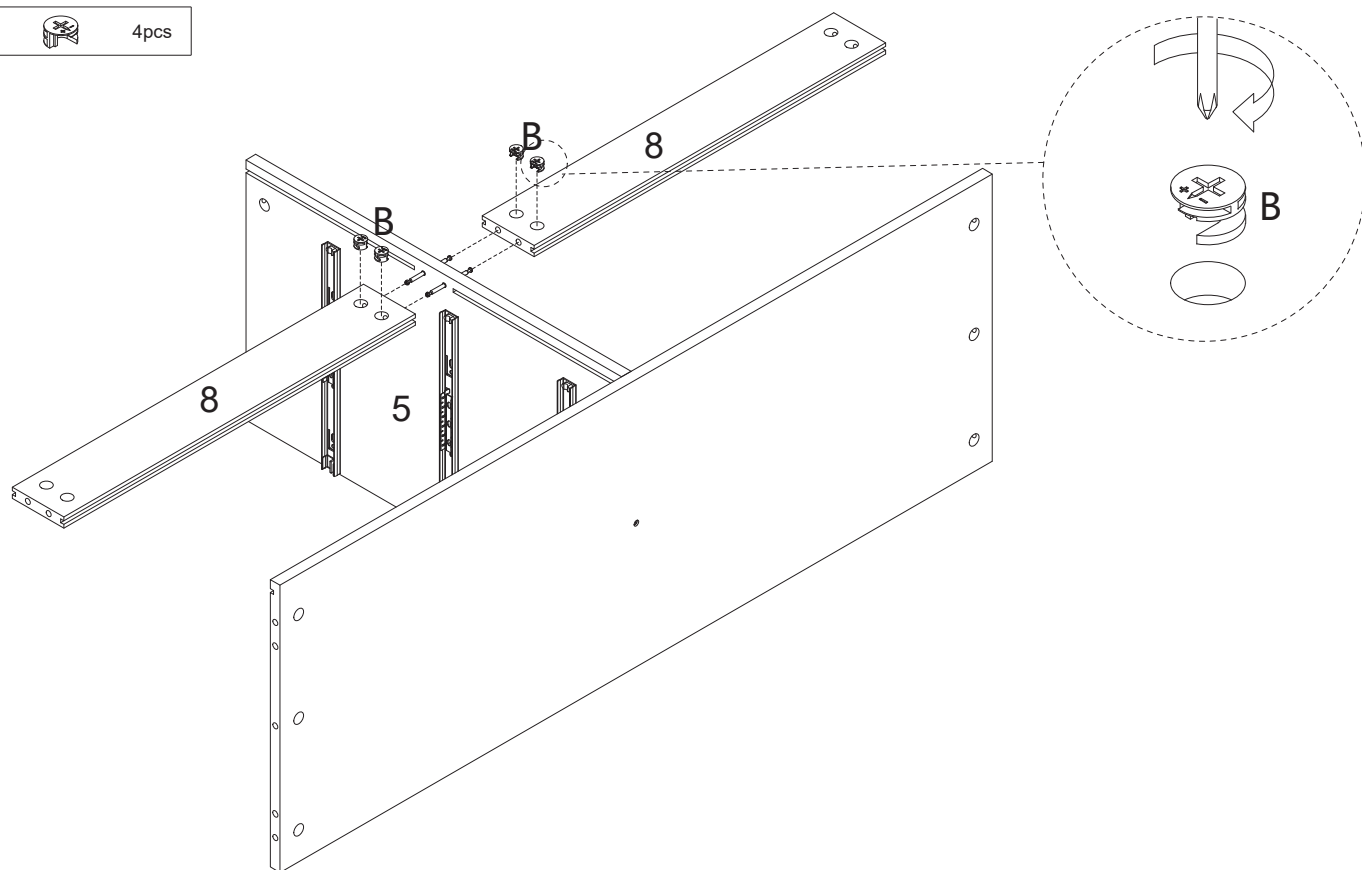


Step 4: Connect panels 6 panel 5 with wooden tenons C, and then turn the eccentric wheel B clockwise to tighten them.

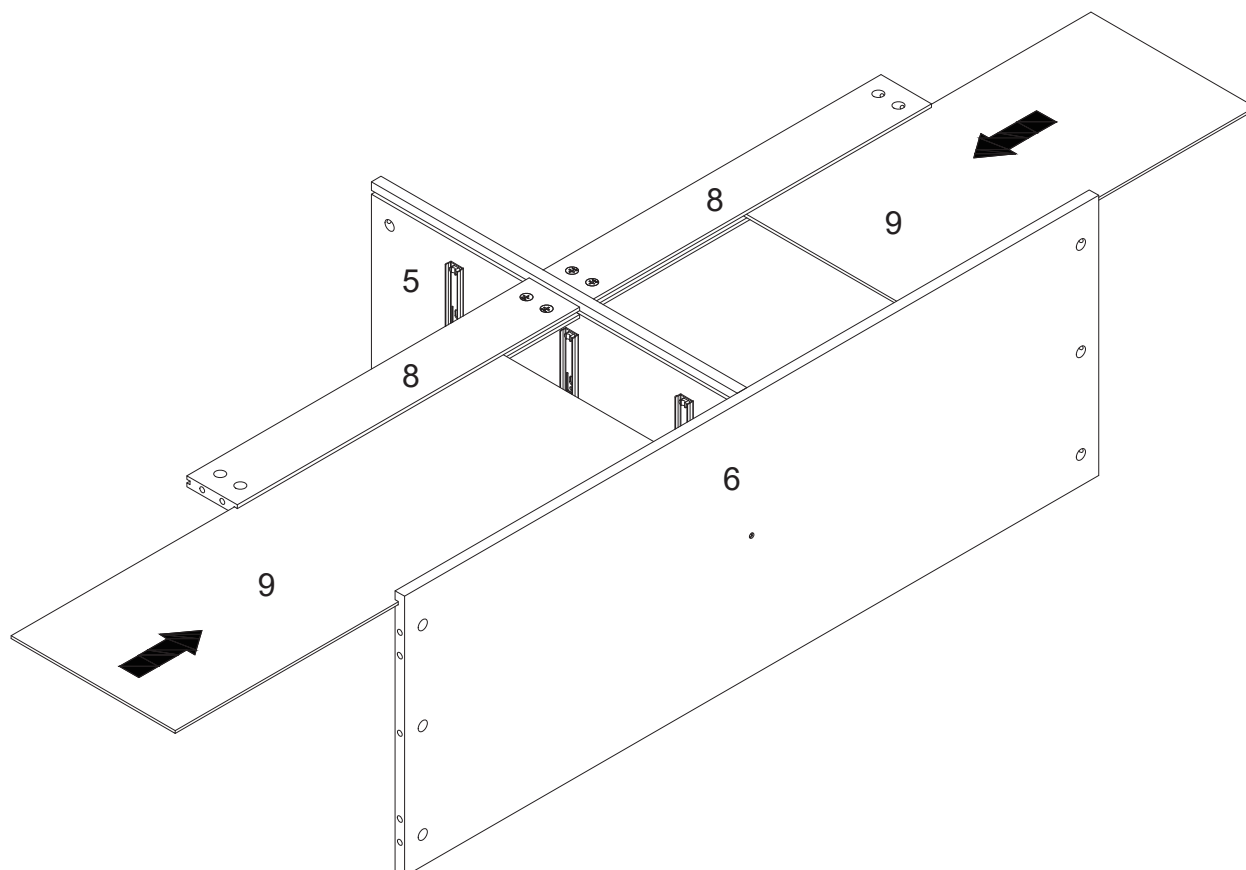


Step 5: Connect Panel 8 to panels 5, and then turn the eccentric wheel B clockwise to tighten it.



Ⓑ 4pcs

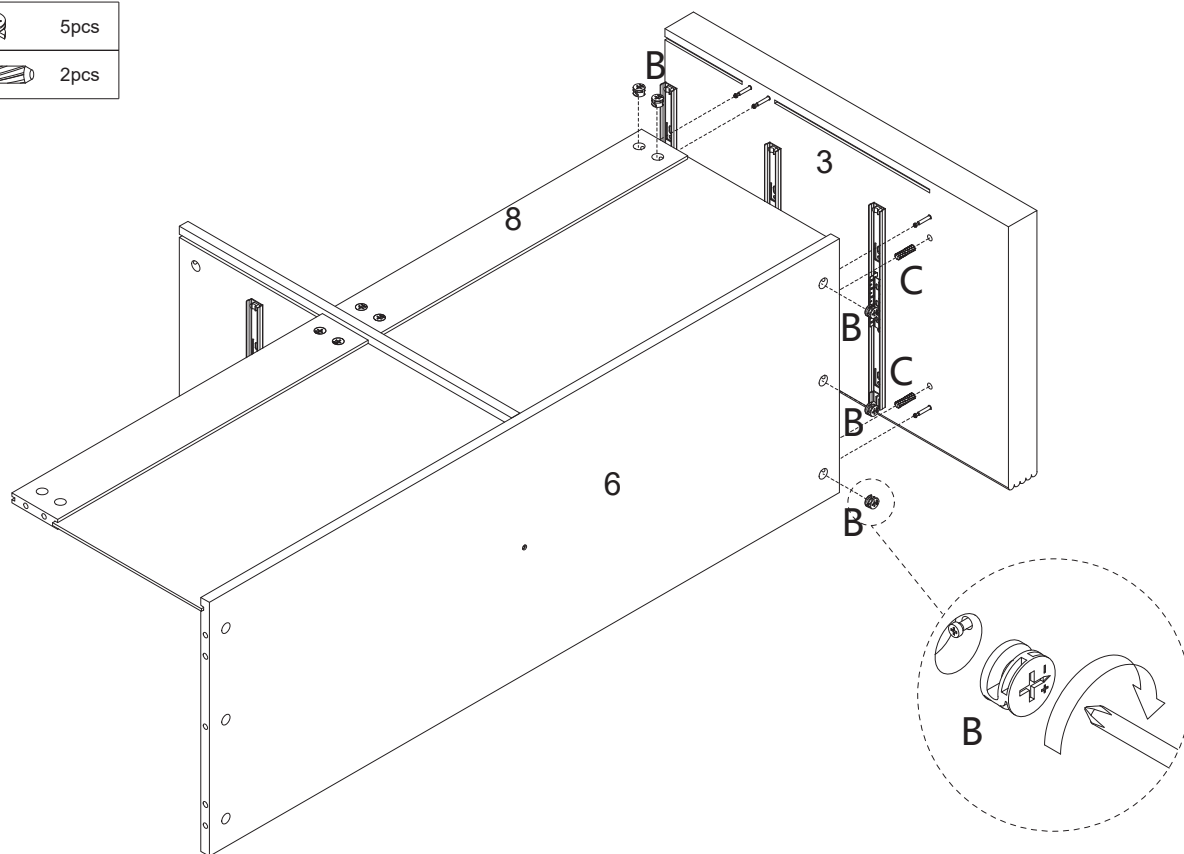


Step 6: Insert the back plate 9 into the slots of the panels 8&6





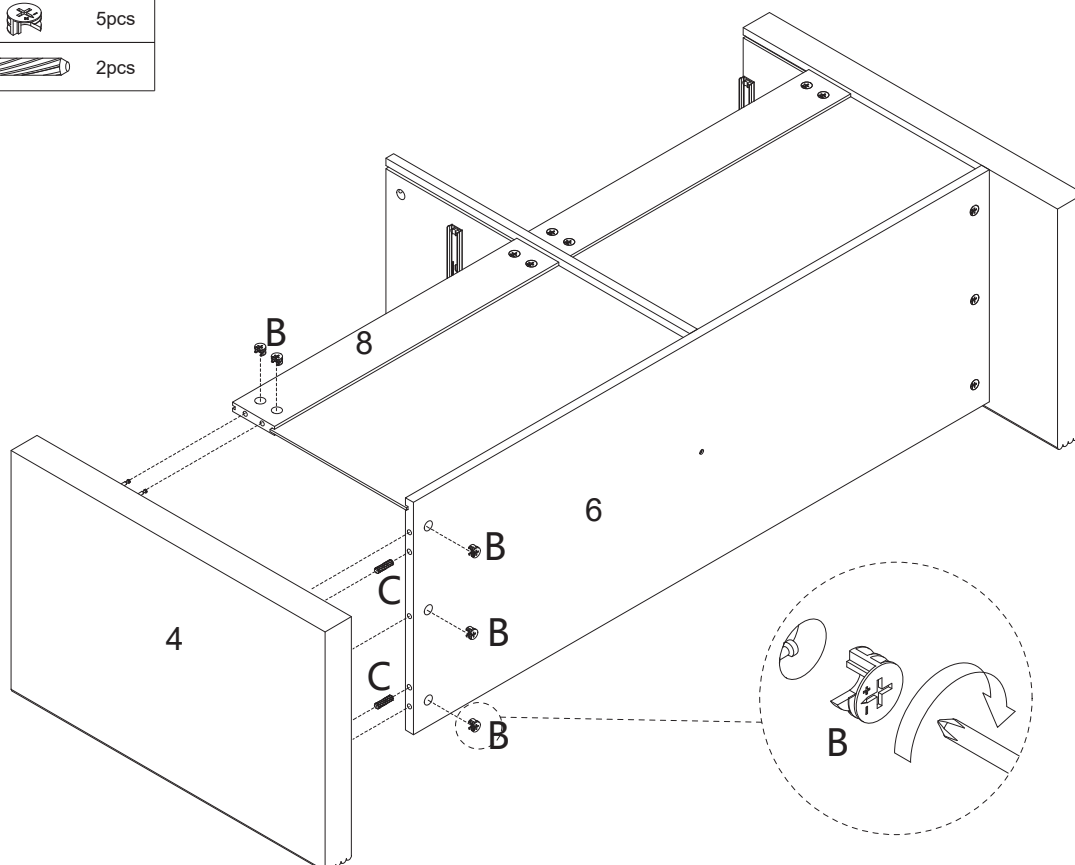
Step 7: Connect panels 3 panel 6 with wooden tenons C, and then turn the eccentric wheel B clockwise to tighten them.

(B)		5pcs
(C)		2pcs

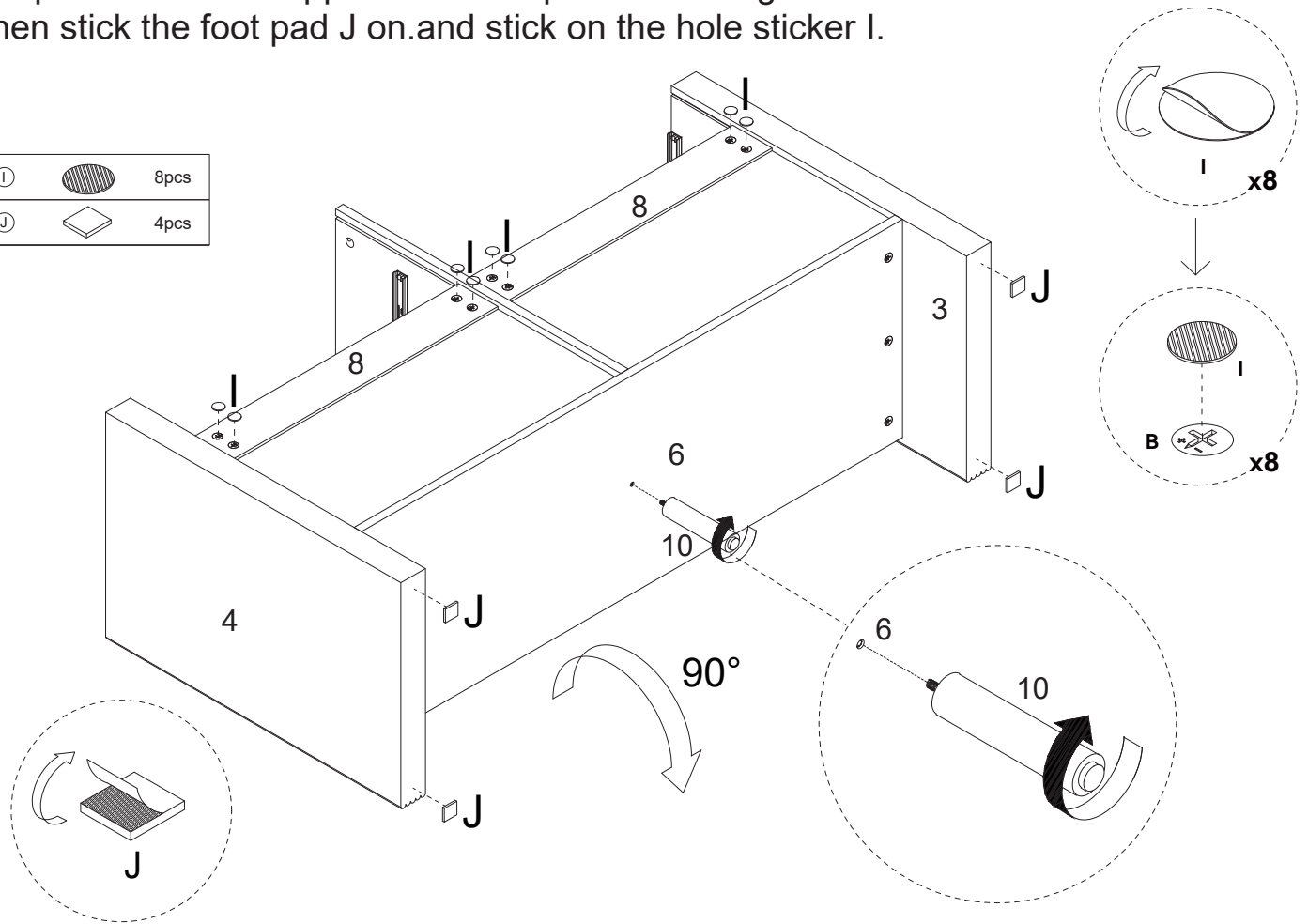
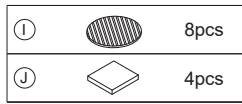


Step 8: Connect panels 4 panel 6 with wooden tenons C, and then turn the eccentric wheel B clockwise to tighten them.

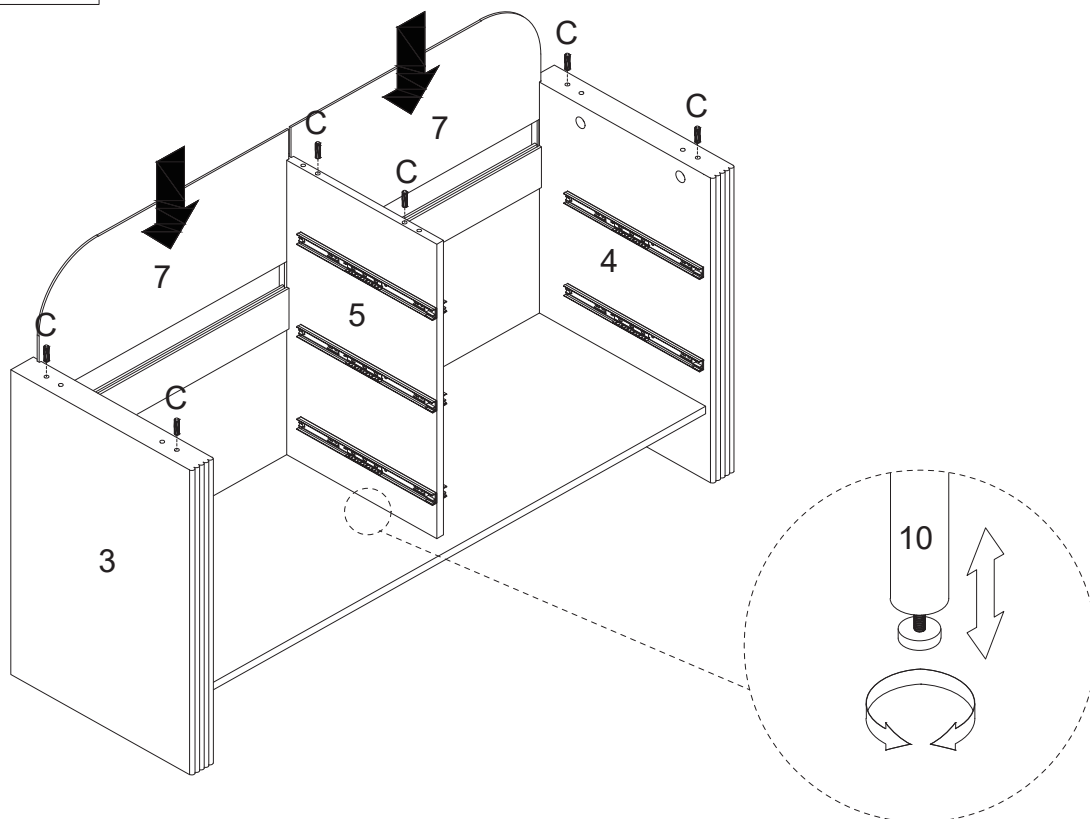
(B)		5pcs
(C)		2pcs



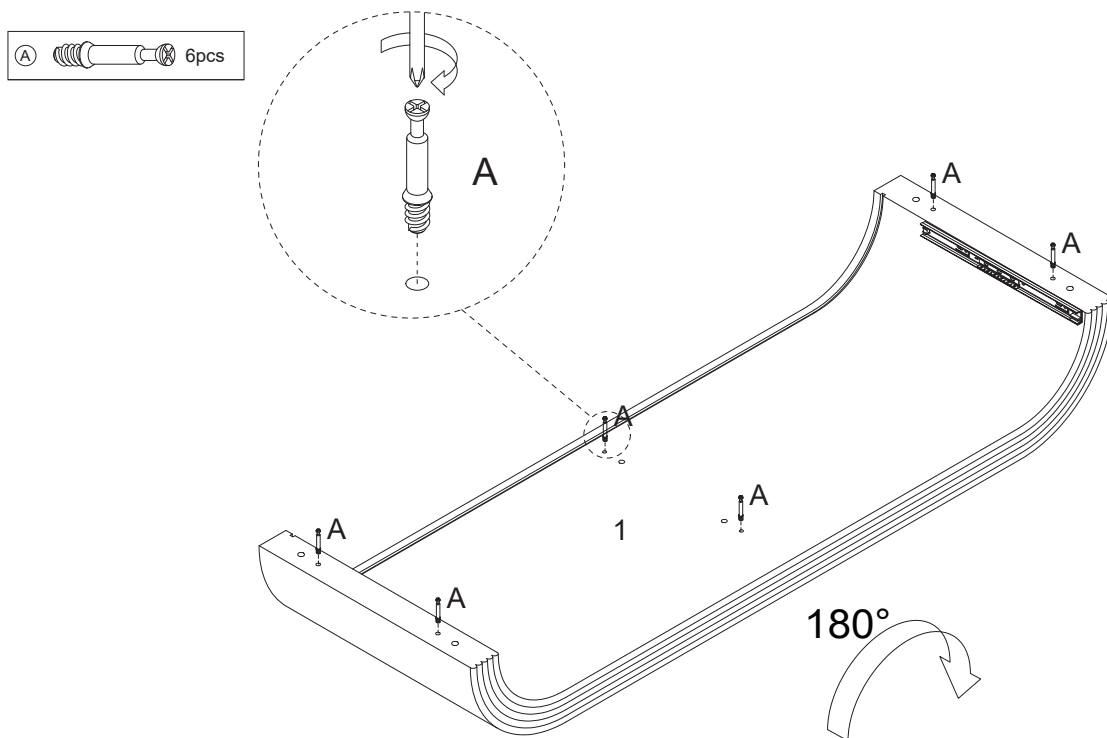
Step 9: Install the support feet onto panel 6 and tighten them clockwise. then stick the foot pad J on and stick on the hole sticker I.



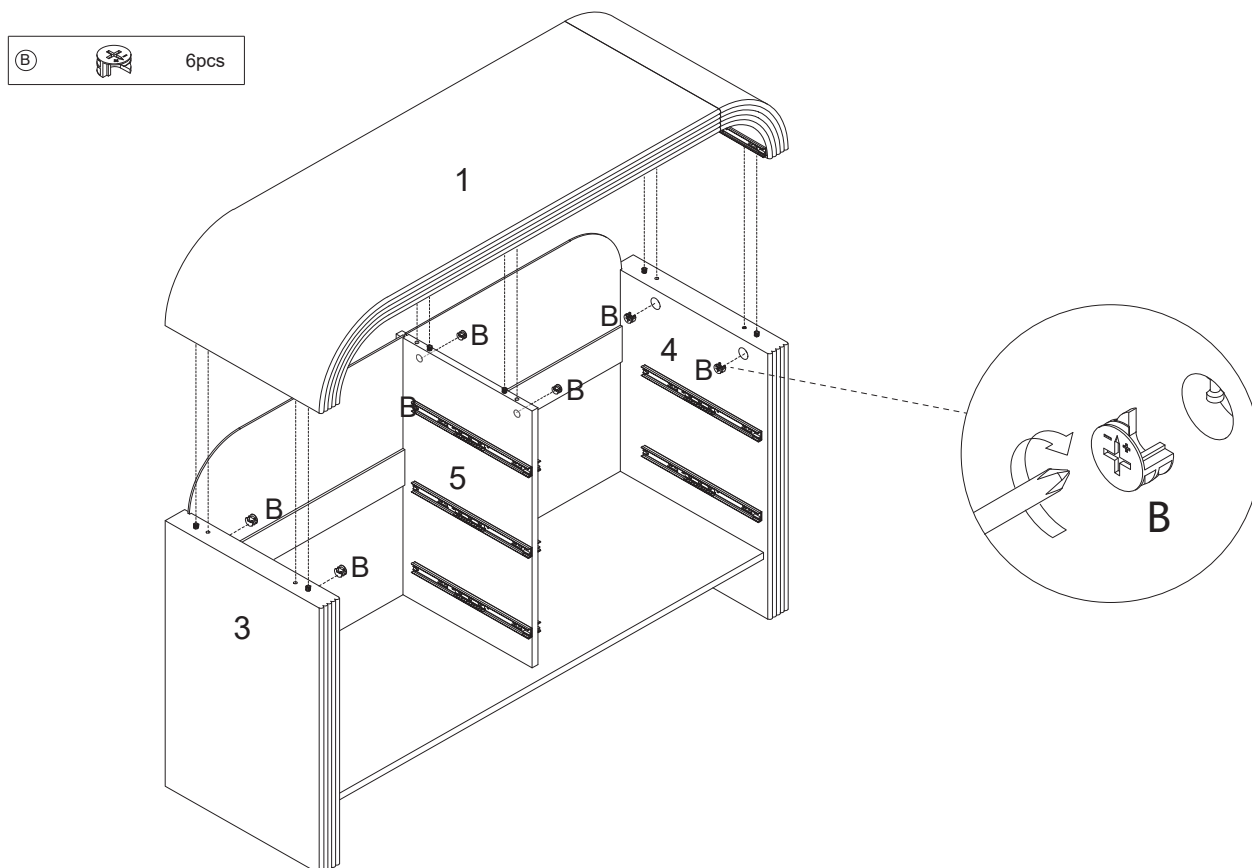
Step 10: Insert the back plate 7 into the slots of the panels 3&4&5, and then place the wooden tenon C.



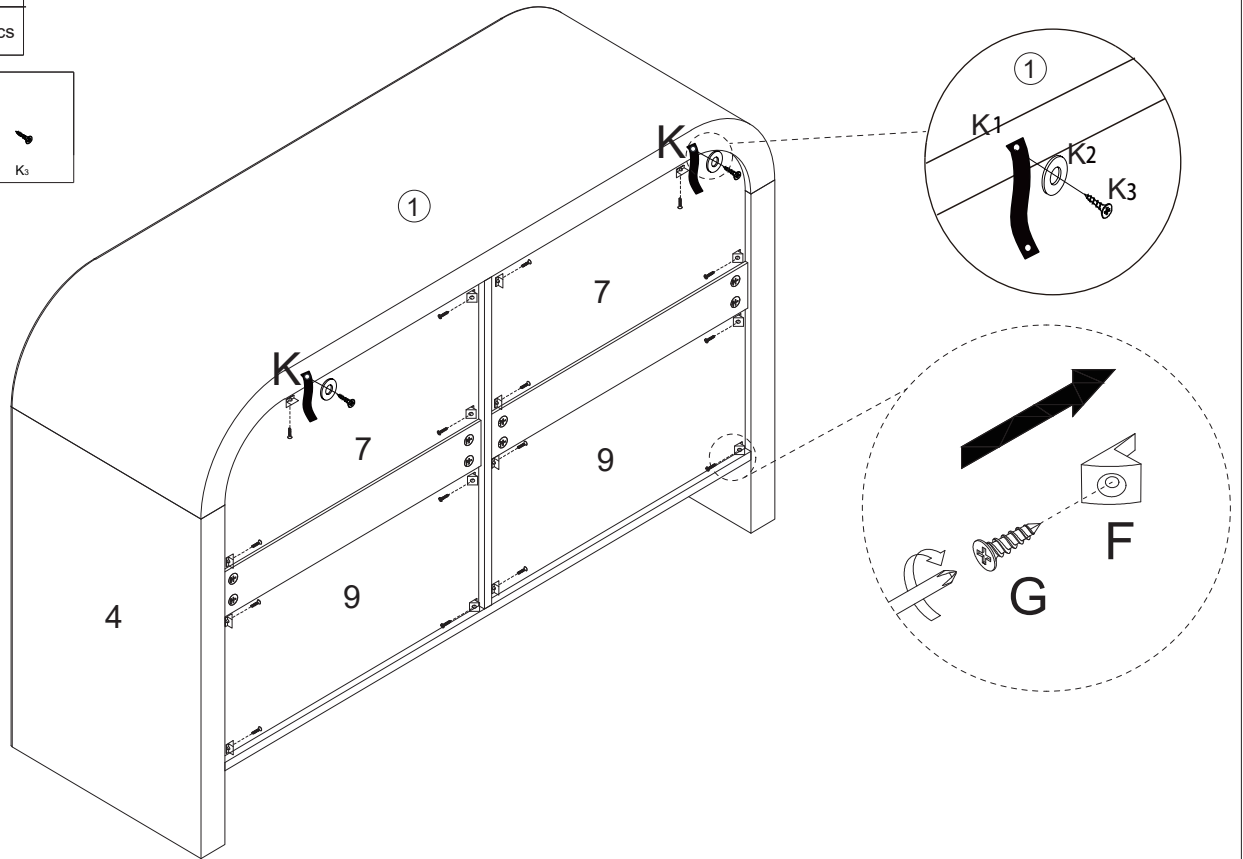
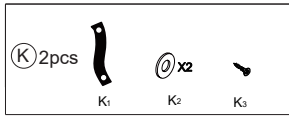
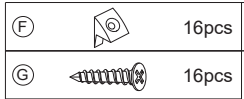
Step 11: Install the eccentric rod A onto panels 1.



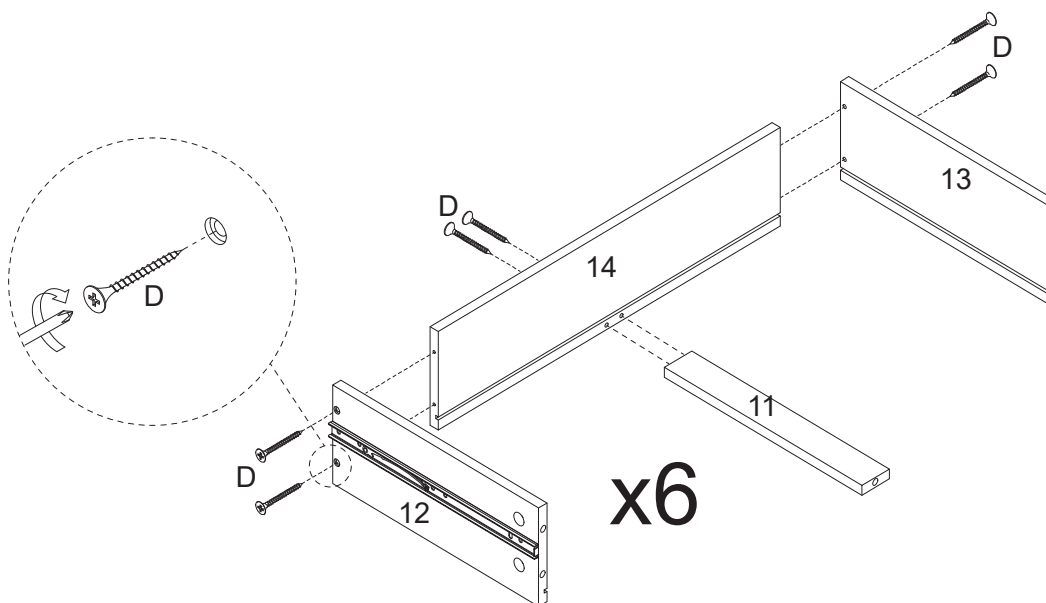
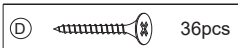
Step 12: Connect Panel 1 to the assembled panel, then insert the eccentric wheel B and tighten it clockwise.



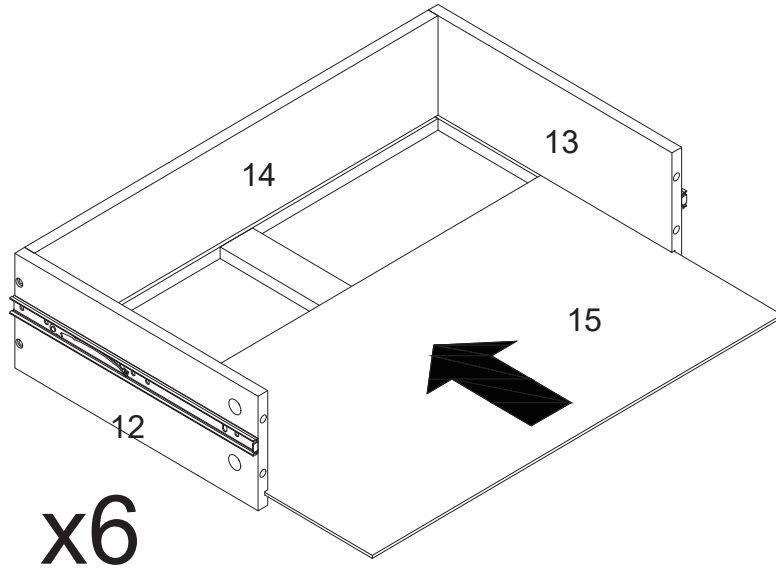
Step 13: Reinforce back plate 7&9 using part(F) with screw(G) as shown.  
Install anti-toppling devices.



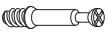

Step 14: Assemble the drawer according to the steps prompted below.

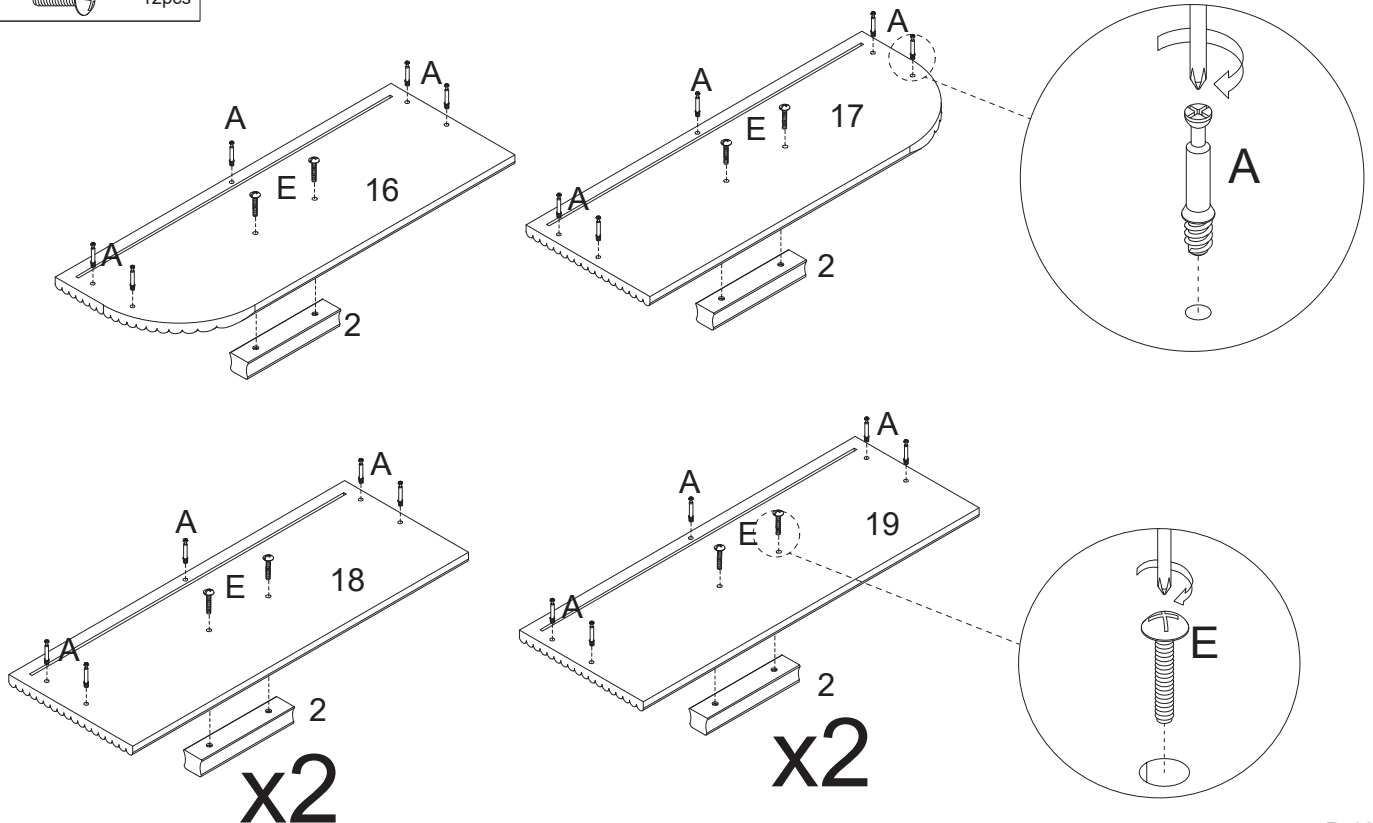


Step 15: Assemble the drawer according to the steps prompted below.





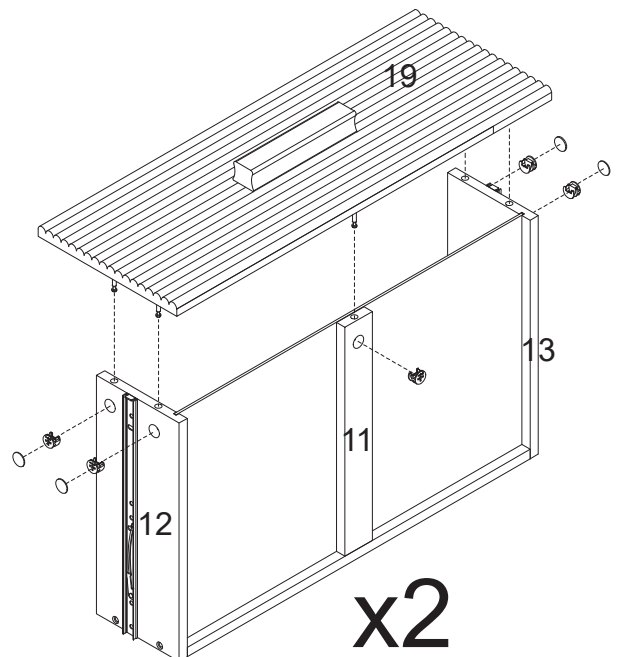
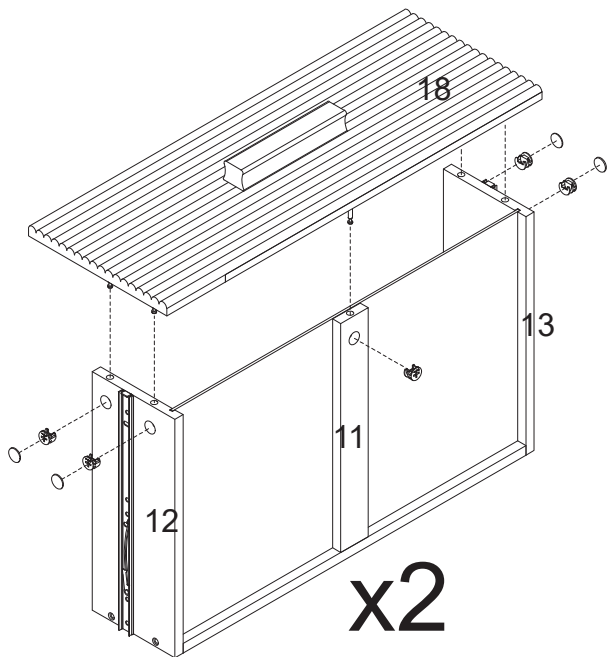
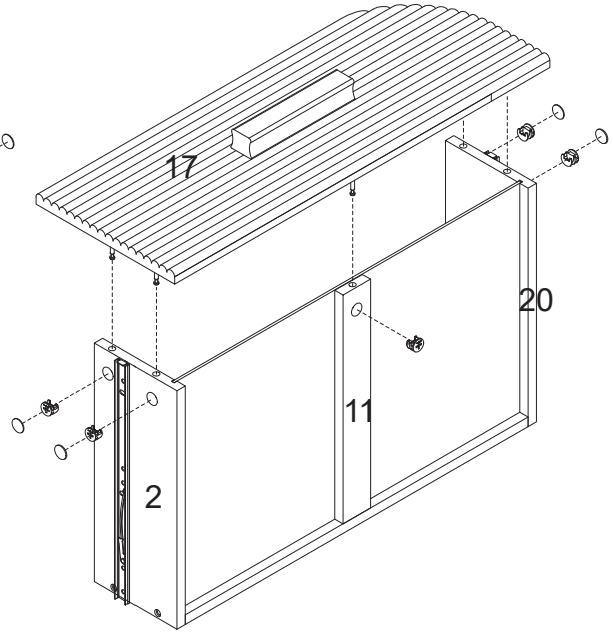
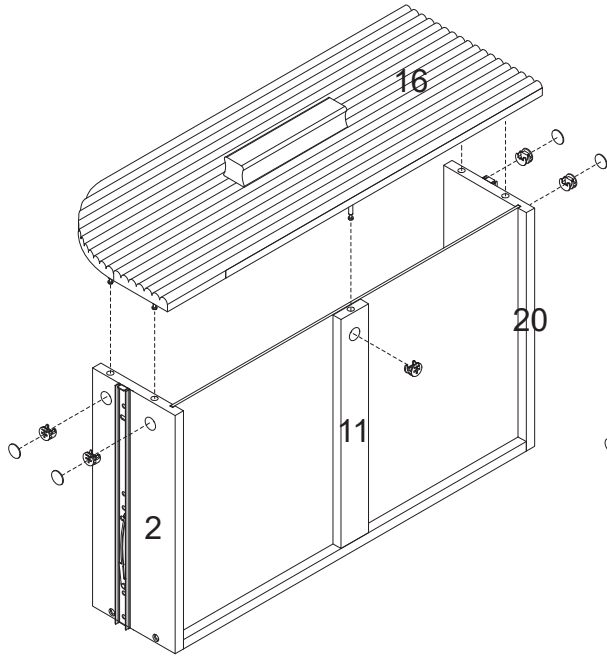
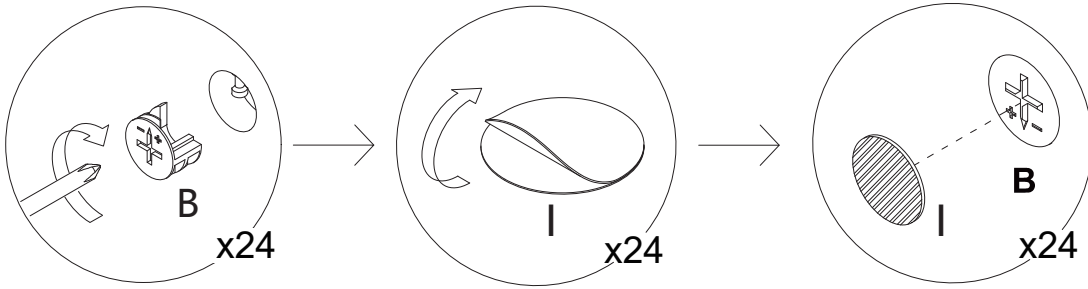
Step 16: Assemble the drawer according to the steps prompted below.

(A)		30pcs
(E)		12pcs

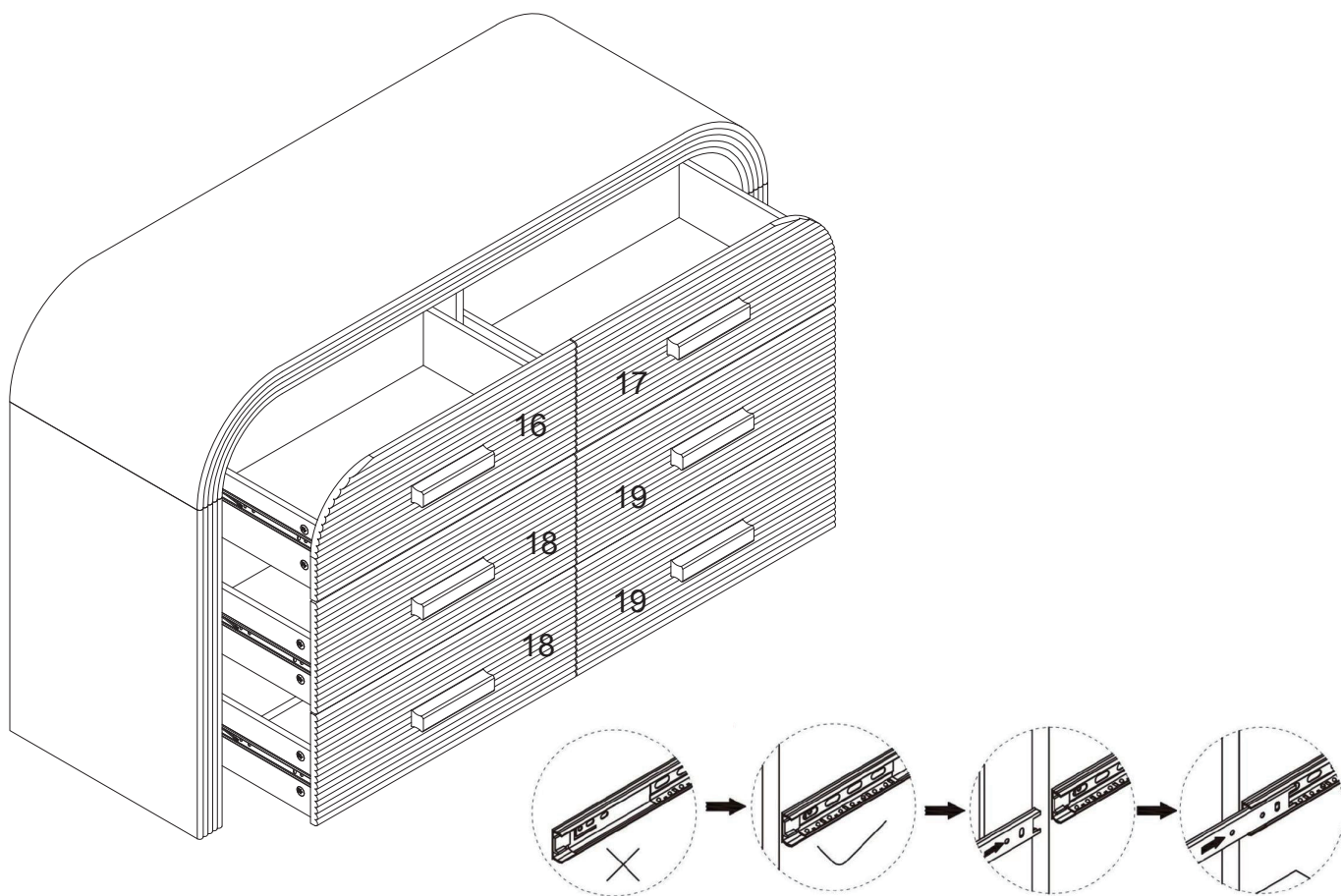


Step 17: Assemble the drawer according to the steps prompted below.

Ⓑ		30pcs
Ⓘ		24pcs



Step 18: Put the drawer into the frame.



Step 19: Install anti-toppling devices.

