

DUSK.COM

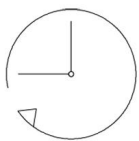
LIVING | BEDROOM | DINING

Range Name: Sienna

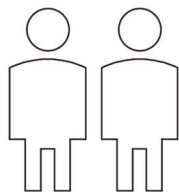
Box 1 dimensions : W135xD53xH25 cm

Product Dimension : W120xD45xH80 cm

6 Drawer Large Chest



Up to 120 minutes
assembly time



Two person
assembly



Electric screwdriver
prohibited

This product is intended for domestic use only, not for commercial purposes.

P-1/13
V-1.0

IMPORTANT

ASSEMBLY TIP

Before you begin, it's best to identify all of the parts and fittings to build your chest frame. We advise laying these out on the floor to check you have everything, and to familiarise yourself with all of the parts and fittings before building.

TOP TIP

We recommend that you assemble the chest in the room you'd like it to be located. This will help prevent any risk of damage to the frame whilst moving it.

SAFETY AND CARE

1. It's important to ensure children and animals are kept away from the assembly area, as there are small components used in this product which could present a choking hazard. All plastic and wrapping materials should also be kept away from children and animals to prevent any risk of suffocation.
2. Do not stand on your product.
3. Always use the item on firm level ground, ensuring all legs remain in contact with the ground.
4. Place heaviest items in the lowest drawers.
5. Do not set TV or other heavy objects on top of the product.
6. Children should always be under supervision whilst using this product. Never allow children to climb on the drawers.
7. Never keep more than one drawer open at the same time.
8. In order to prevent overturning, this product must be used with the wall attachment device provided.
9. Serious or fatal crushing injuries can occur from tipping furniture.

HELP AND SUPPORT

Please contact our customer service team on 0113 519 0311 if you have any questions or issues with your purchase.

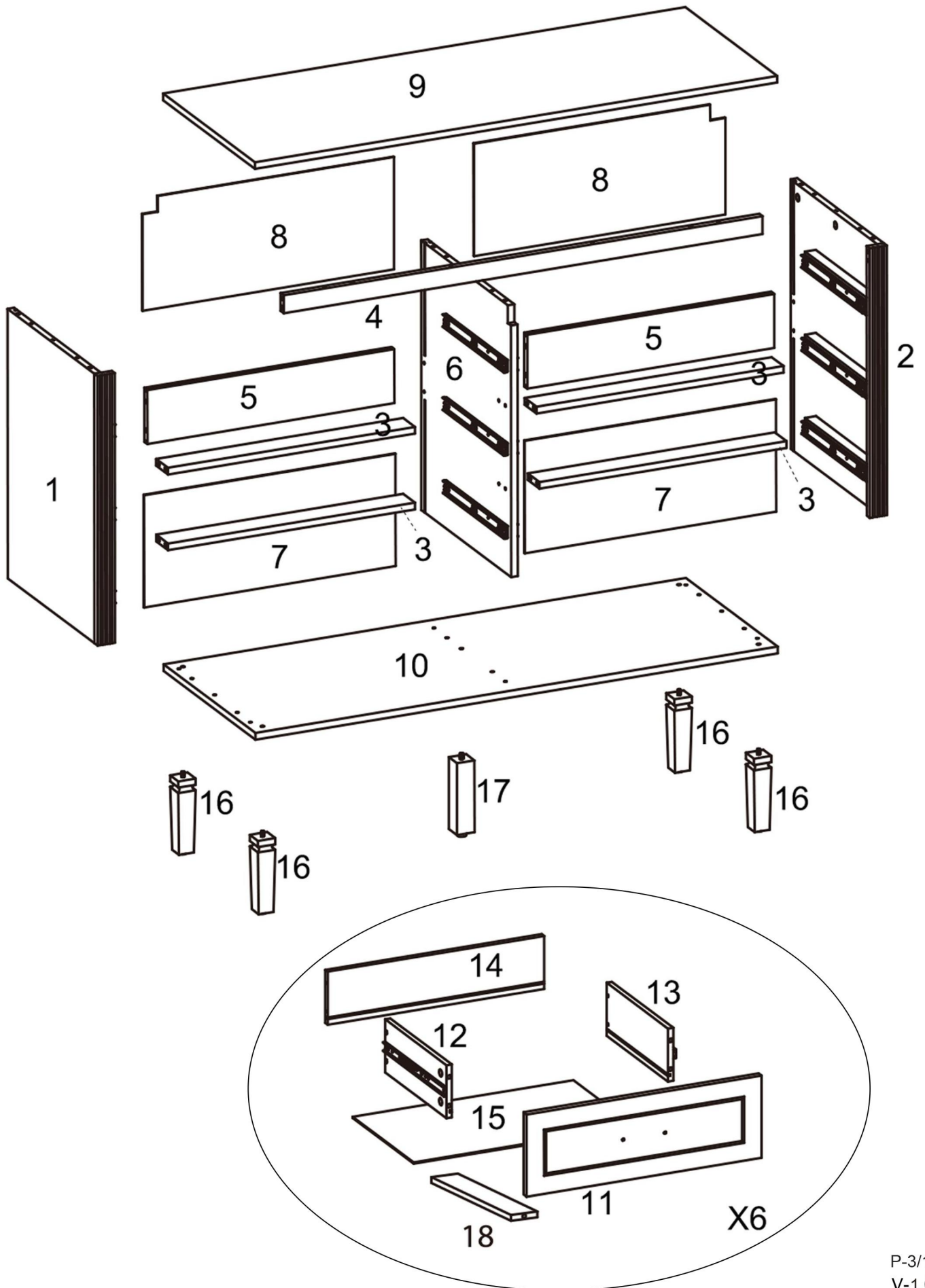
RECYCLING

Please ensure that packaging is disposed of in a safe and environmentally friendly way, and recycle where possible. Please keep your assembly instructions safe to refer back to in the future.

CARE AND MAINTENANCE

1. Only clean using a damp cloth, do not use bleach or abrasive cleaners as they may damage the finish over time.
2. Do not use a very wet cloth or allow any liquid to contact with the surface for a long period of time. Wipe any spillage immediately. Absorption can cause wood to warp or finishes to de-laminate.
3. Do not scrub or rub the surface when cleaning.
4. Do not drag the chest when moving, lift it off the floor instead.
5. Use a placemat or a coaster when putting hot items (e.g. hot drinks and dishes) on the wood surface.
6. It is not recommended to place the item next to sources of heat such as radiators, fires or directly exposed to sunlight. This may cause the wood to crack, split or fade due to the heat and humidity.
7. Wood will mellow and change colour over time, we recommend that ornaments and items placed on the surface to be moved regularly to prevent uneven mellowing.
8. Regularly check all fixings to ensure none have come loose. Re-tighten if necessary.
9. Avoid sharp items such as a screwdriver or any pointy tools.

Parts list



Parts list

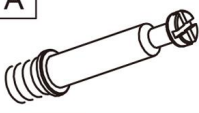

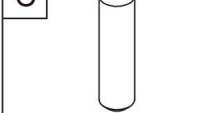

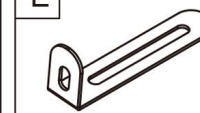


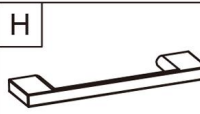

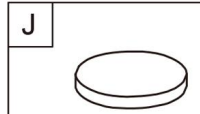
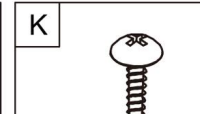
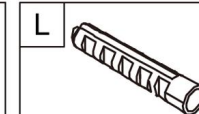
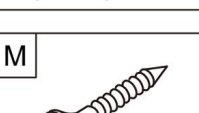
Before you begin building your chest, please take a moment to read through the instructions and make sure that you have all the relevant parts listed on the parts check list.

Part Number	Part Description	Quantity	Box NO
1	Left Side Panel With Sides Pre-assembled	1 pc	Box 1
2	Right Side Panel With Sides Pre-assembled	1 pc	Box 1
3	Centre Support	4 pcs	Box 1
4	Front Support Bar	1 pc	Box 1
5	Back Support Bar	2 pcs	Box 1
6	Middle Panel With Sides Pre-assembled	1 pc	Box 1
7	Lower Back Panel	2 pcs	Box 1
8	Upper Back Panel	2 pcs	Box 1
9	Top Panel	1 pc	Box 1

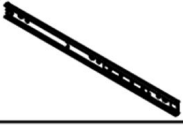
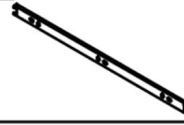

Part Number	Part Description	Quantity	Box NO
10	Bottom Panel	1 pc	Box 1
11	Drawer Front	6 pcs	Box 1
12	Drawer Left Side With Sides Pre-assembled	6 pcs	Box 1
13	Drawer Right Side With Sides Pre-assembled	6 pcs	Box 1
14	Drawer Back Side	6 pcs	Box 1
15	Drawer Bottom	6 pcs	Box 1
16	Leg	4 pcs	Box 1
17	Centre Leg	1 pc	Box 1
18	Drawer Bottom Support	6 pcs	Box 1

Fittings

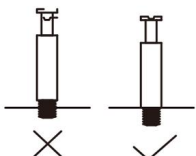
Please check you have all the fittings listed below with your product in Box 1.

 M6*35mm Cam Lock Screw 65pcs+7pcs extra	 Ø15*9mm Cam Lock 65pcs+7pcs extra	 Ø8*30mm Dowel 16pcs+2pcs extra	 M4*35mm Screw 38pcs+4pcs extra	 Wall Bracket 2pcs	 Plastic Buckle 16pcs+3pcs extra
 M3.5*14mm Screw 16pcs+3pcs extra	 Handle 6pcs	 M4*18mm Bolt 12pcs+2pc extra	 Cover 24pcs+3pcs extra	 M4*14mm Screw 2pcs	 Wall Anchor 2pcs
 M4*40mm Screw 14pcs+2pcs					

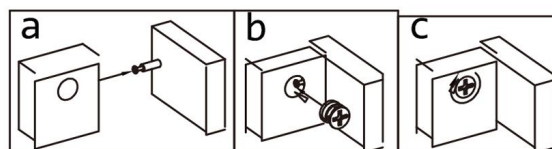
Pre-assembled Fittings.

 Slide 12pcs	 Slide 12pcs	 Ø3x12mm Screw 72pcs
---	---	---

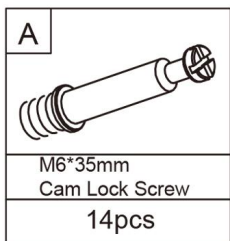
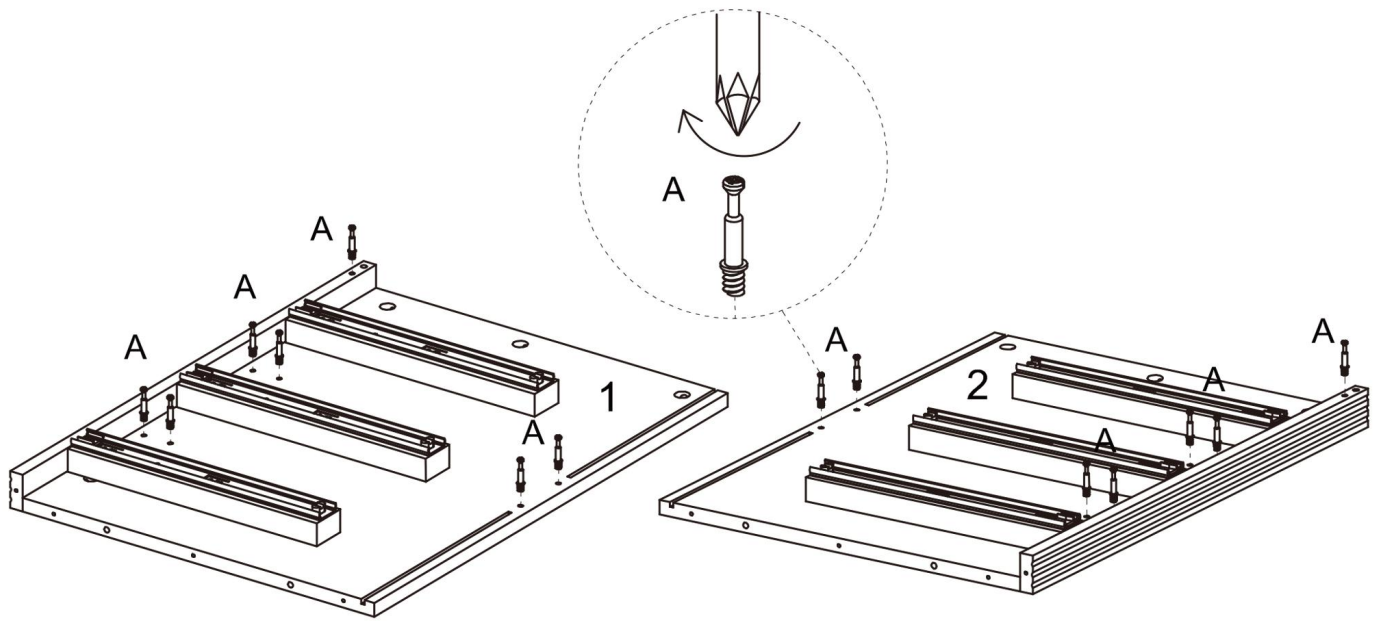
Ensure the cam lock screws are installed correctly, as indicated by the "check mark" below.



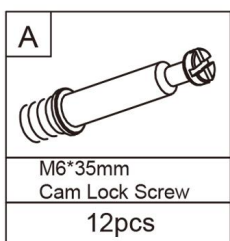
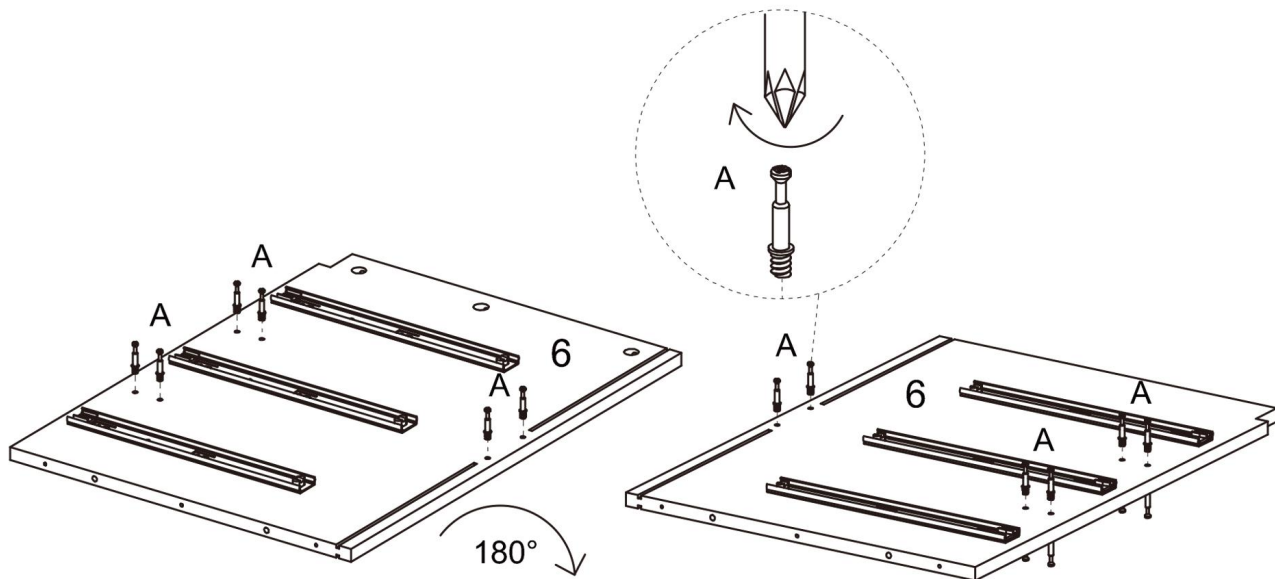
Refer to the illustration below to correctly use the cam lock screws for assembling the panels.



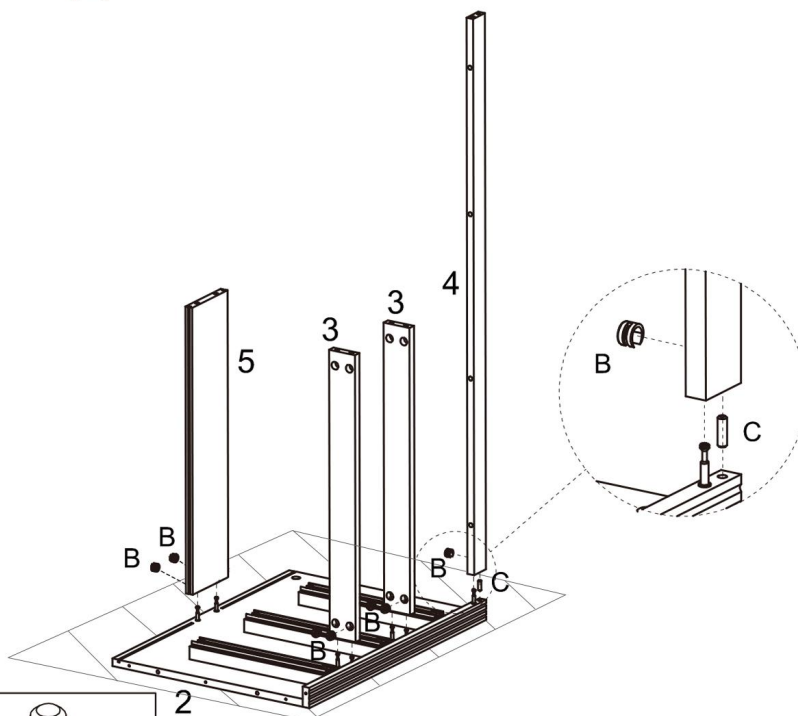
1. Attach Cam Lock Screws to Left Side Panel (1) and Right Side Panel (2).





2. Attach Cam Lock Screws to Middle Panel (6) two sides.



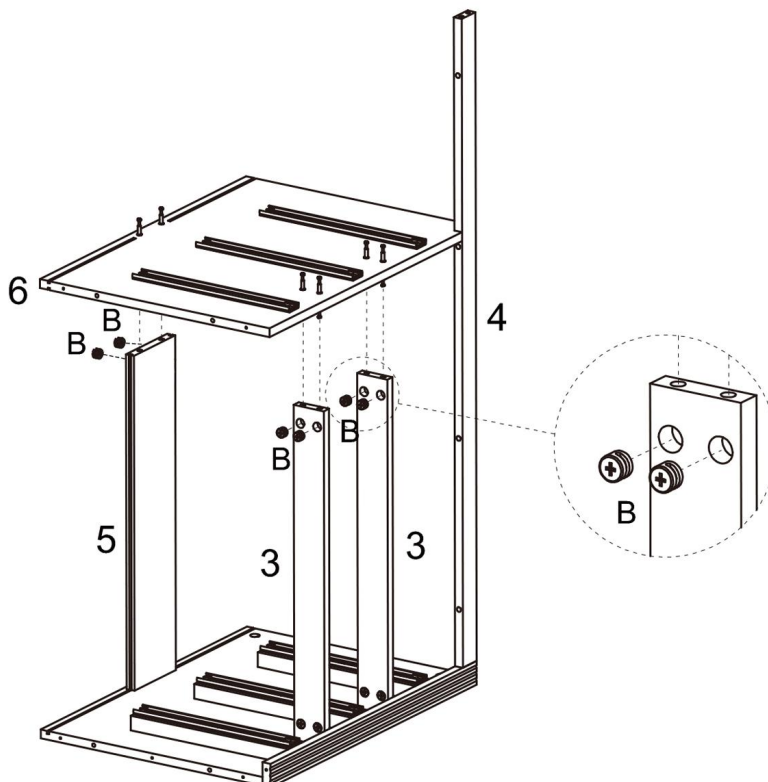
3. Attach Centre Support (3), Front Support Bar (4) and Back Support Bar (5) to Right Side Panel (2).




<p>B</p> 	<p>C</p> 
<p>Ø15*9mm Cam Lock 7pcs</p>	<p>Ø8*30mm Dowel 1pc</p>

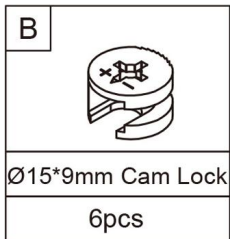
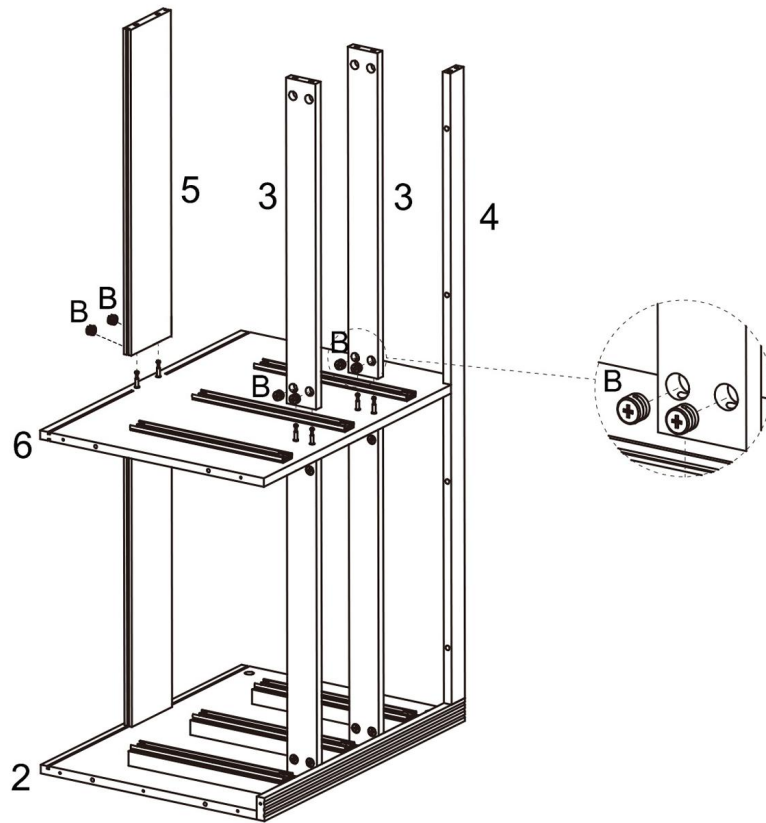
Tip: Protective mats are required underneath

4. Attach Middle Panel (6) to the Frame.

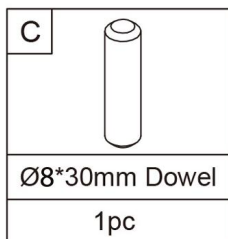
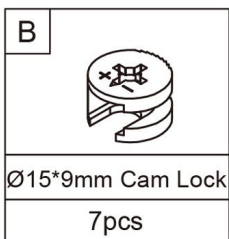
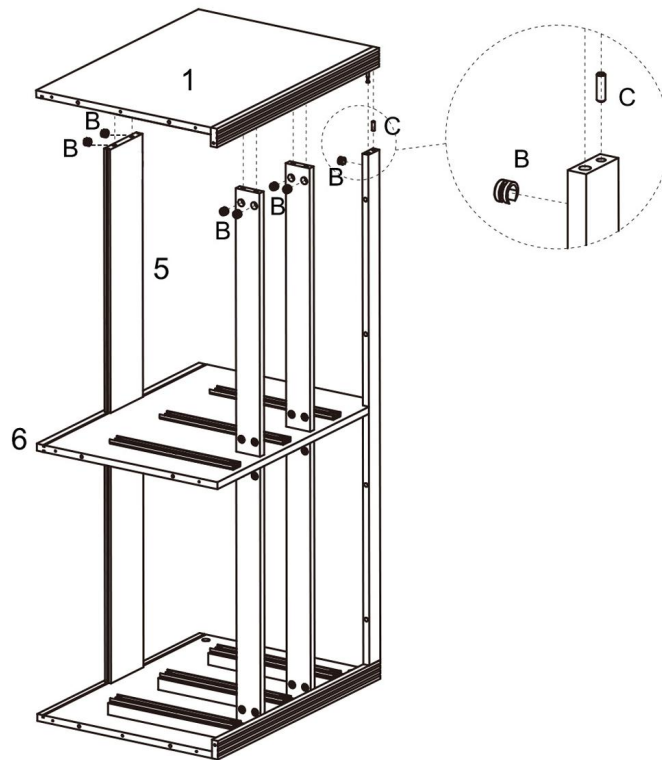


<p>B</p> 
<p>Ø15*9mm Cam Lock 6pcs</p>

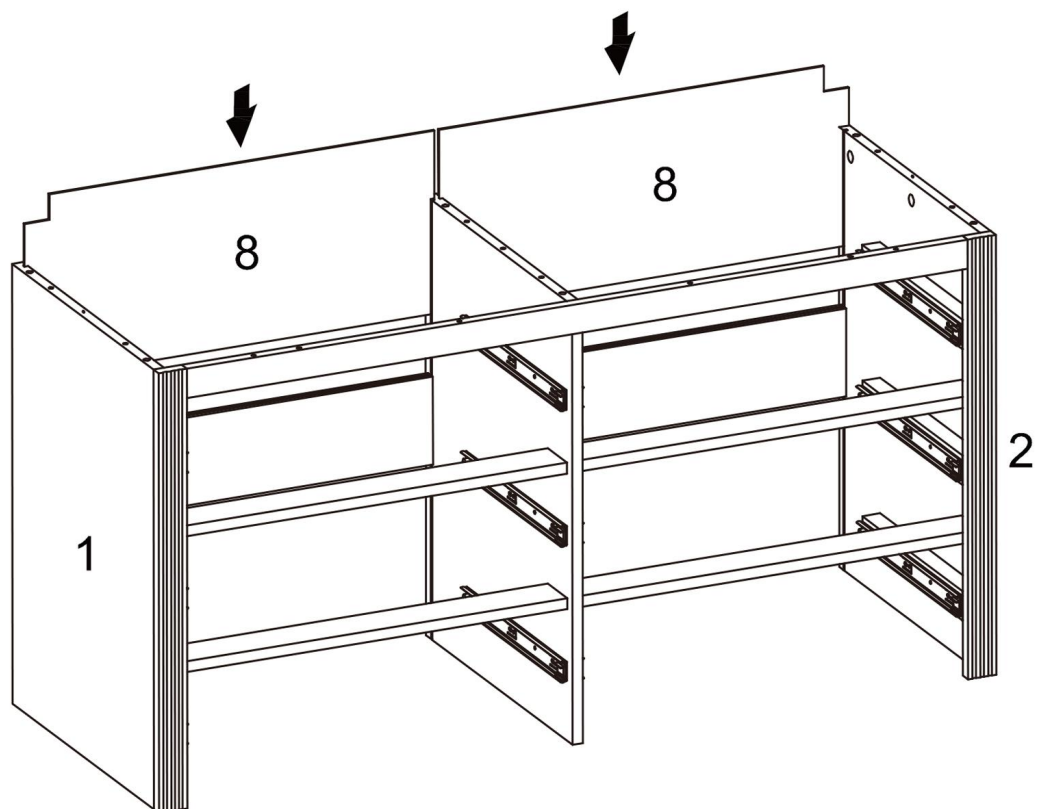
5. Attach Centre Support (3) and Back Support Bar (5) to the Middle Panel (6).



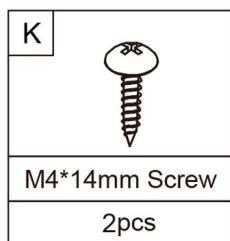
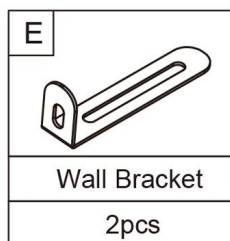
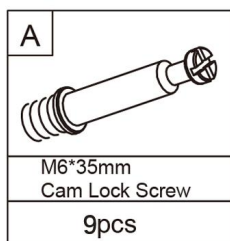
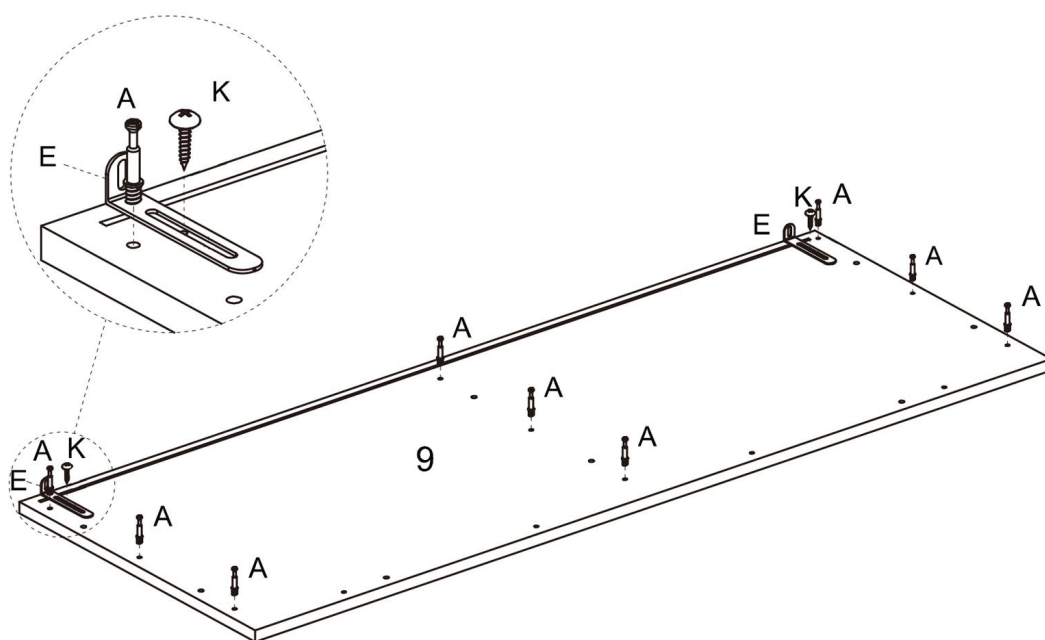
6. Attach Left Side Panel (1) to the Frame.



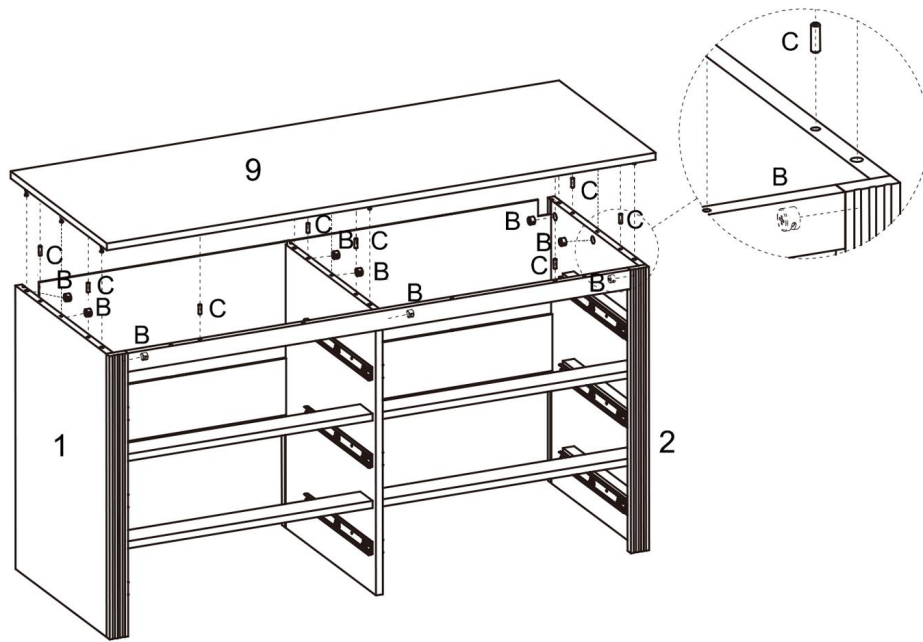
7. Slide Upper Back Panels (8) to the Frame.





8. Attach Cam Lock Screws and Wall Brackets to Top Panel (9).

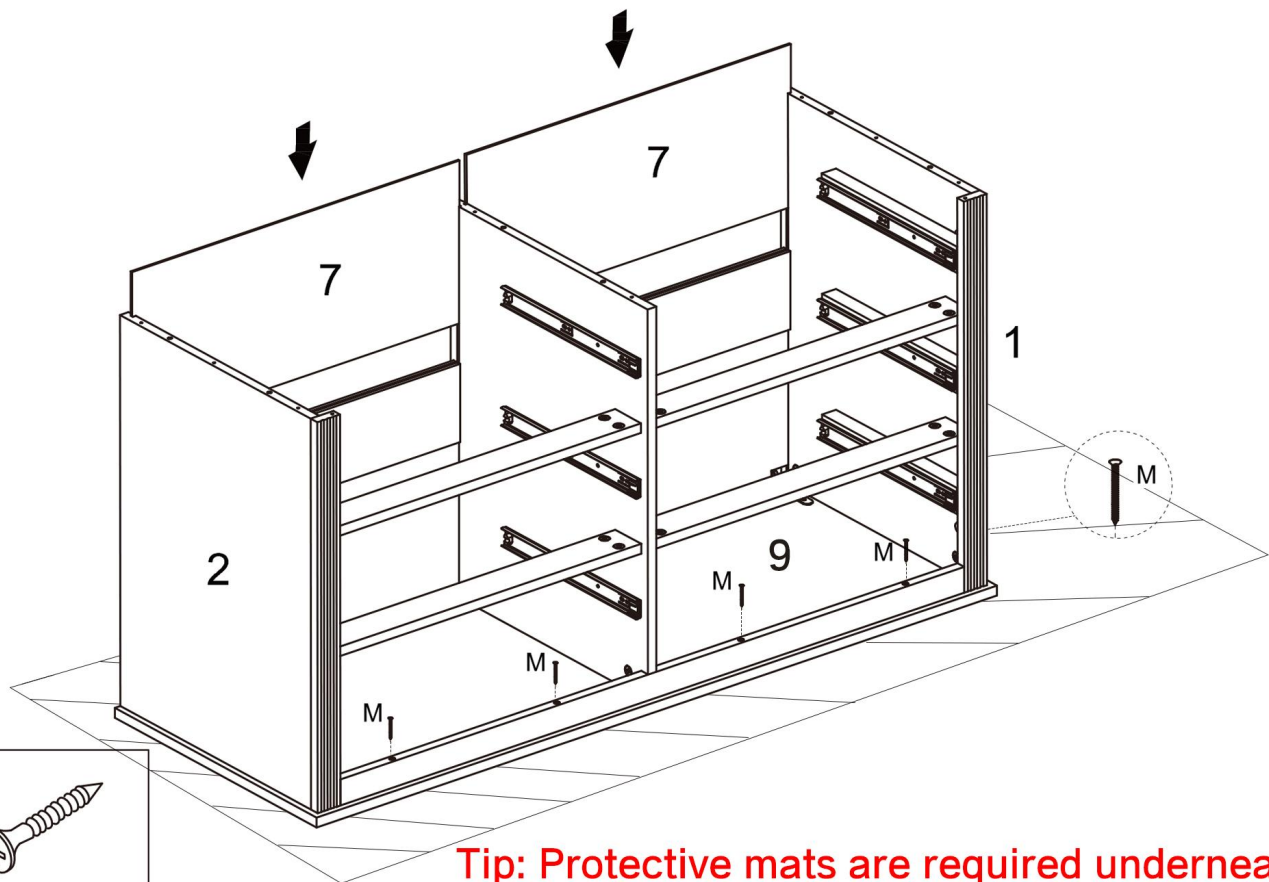



9. Attach Top Panel (9) to the Frame.



B		C	
Ø15*9mm Cam Lock		Ø8*30mm Dowel	
9pcs		8pcs	

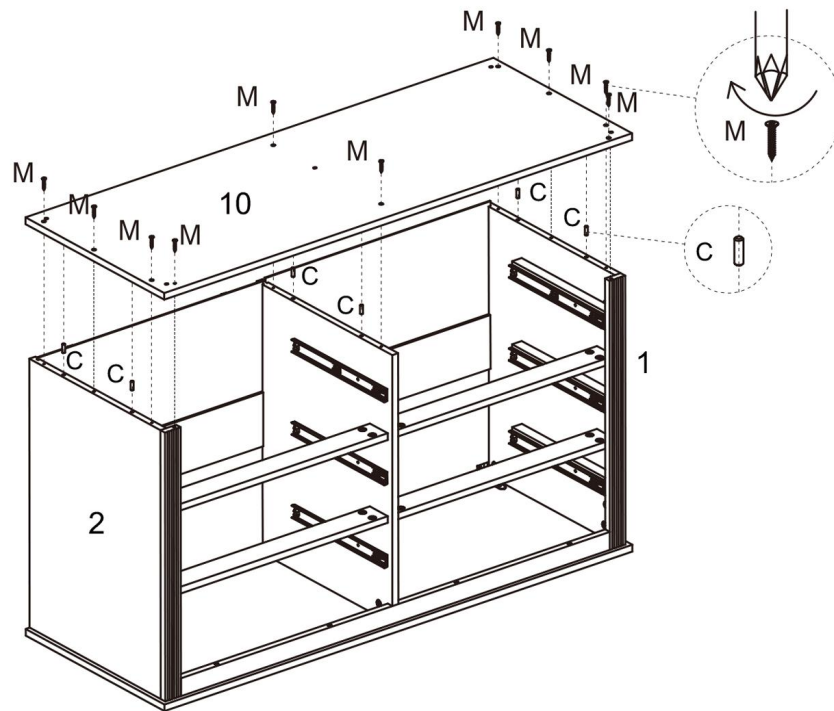
10. Slide Lower Back Panels (7) to the Frame, Self-Tapping Screw Connection (9).





M	
M4*40mm Screw	
4pcs	

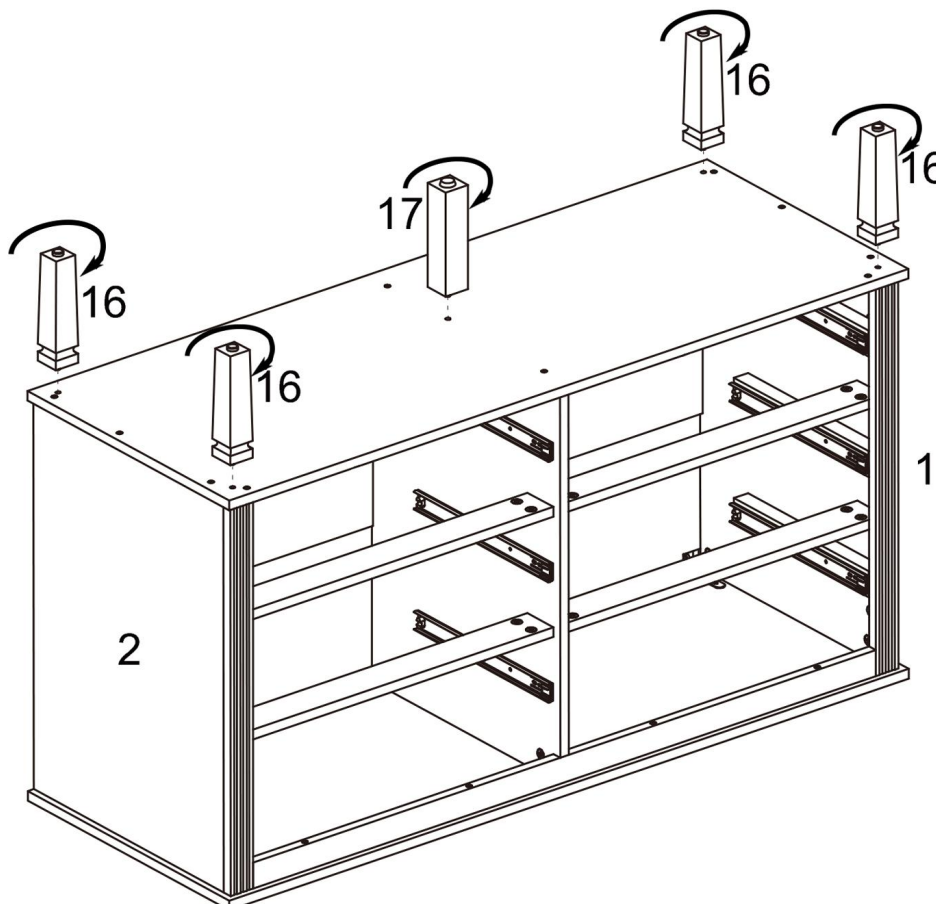
Tip: Protective mats are required underneath

11. Attach Bottom Panel (10) to the Frame.

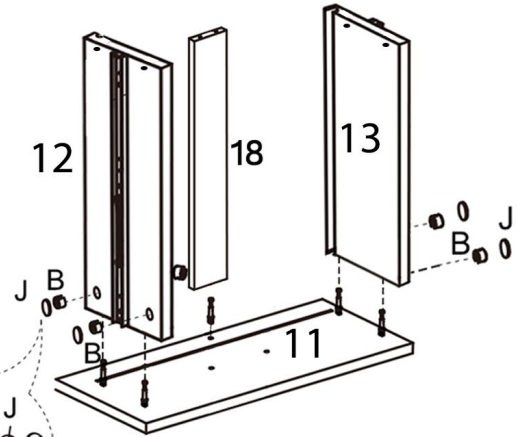
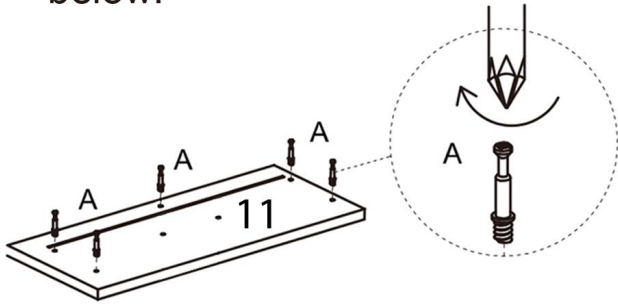


C		M	
Ø8*30mm Dowel		M4*40mm Screw	
6pcs		10pcs	

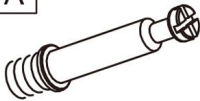


12. Attach the Legs (16) and Centre Leg (17) to the Frame.



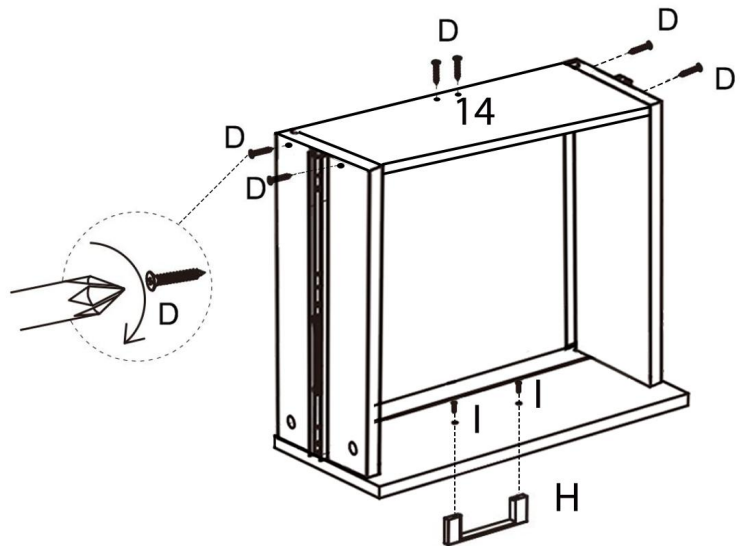
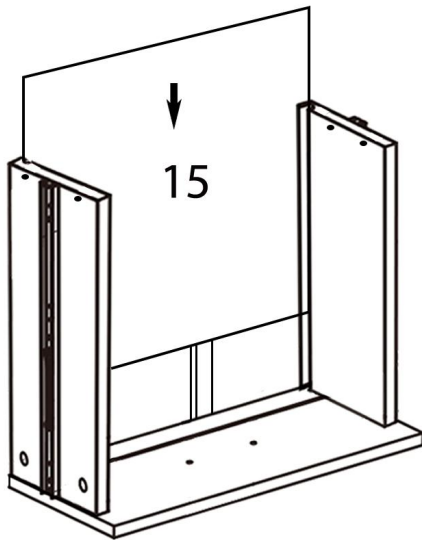
13. Assemble the drawer by following the steps shown in the illustration below.






X 6

<p>A</p> 	<p>B</p> 	<p>J</p> 
<p>M6*35mm Cam Lock Screw 30pcs</p>	<p>Ø15*9mm Cam Lock 30pcs</p>	<p>Cover 24pcs</p>

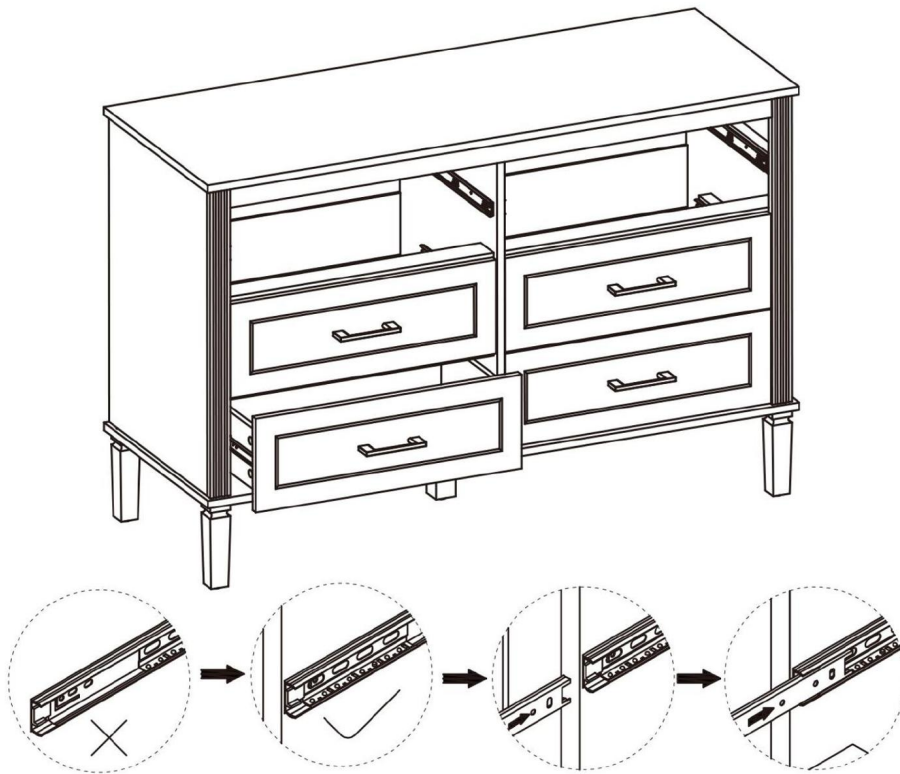
14. Assemble the drawer by following the steps shown in the illustration below.



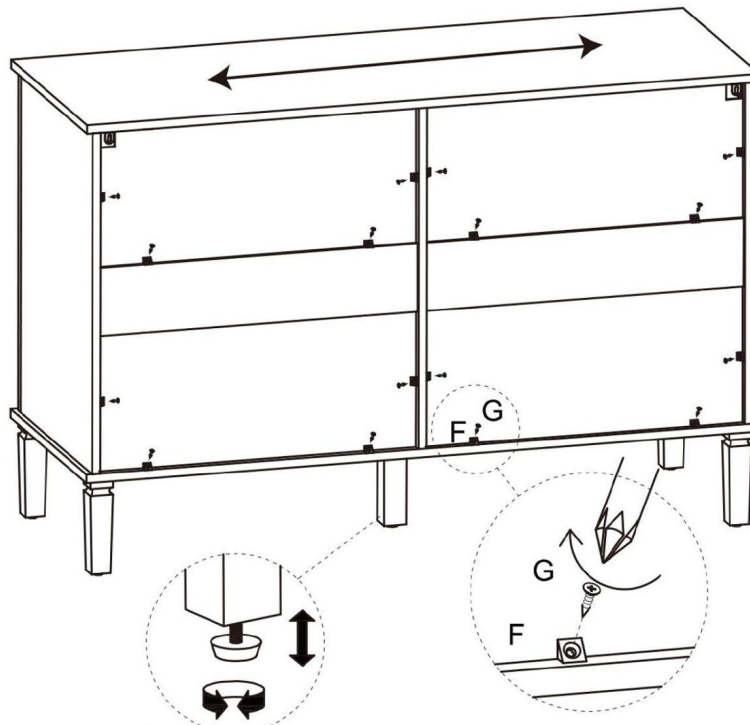
X 6

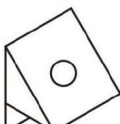

<p>D</p> 	<p>H</p> 	<p>I</p> 
<p>M4*35mm Screw 36pcs</p>	<p>Handle 6pcs</p>	<p>M4*18mm Bolt 12pcs</p>

15. Slide the middle and lower Drawers into the Frame.

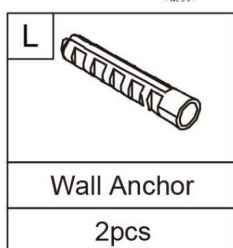
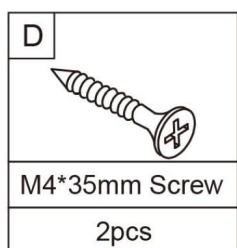
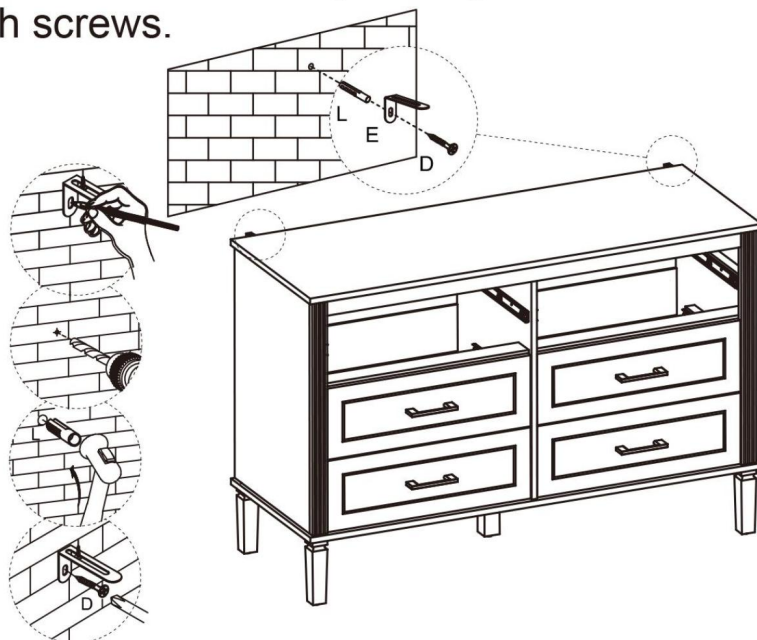


16. Attach the plastic buckles on back. Before securing them, manually adjust the frame to ensure the drawers are properly aligned, even, and parallel. The Centre Leg is adjustable if necessary.



<p>F</p> 	<p>G</p> 
<p>Plastic Buckle 16pcs</p>	<p>M3.5*14mm Screw 16pcs</p>

17. Fix the wall bracket to the wall by drilling holes, inserting wall anchors, and securing it with screws.



18. Slide the upper Drawers into the Frame.

