

# DUSK.COM

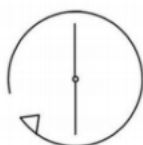
LIVING | BEDROOM | DINING

Range Name:Sienna

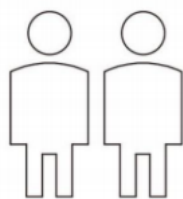
Box 1 dimensions:W63.5×D53×H21.5 cm

Product Dimension:W52×D45×H59 cm

## 2 Drawer Beside Table



Up to 60 minutes  
assembly time



Two person  
assembly



Electric screwdriver  
prohibited

This product is intended for domestic use only, not for commercial purposes

P-1/10  
V-1.0

# IMPORTANT

## ASSEMBLY TIP

Before you begin, it's best to identify all of the parts and fittings to build your bedside frame. We advise laying these out on the floor to check you have everything, and to familiarise yourself with all of the parts and fittings before building.

## TOP TIP

We recommend that you assemble the bedside in the room you'd like it to be located. This will help prevent any risk of damage to the frame whilst moving it.

## SAFETY AND CARE

1. It's important to ensure children and animals are kept away from the assembly area, as there are small components used in this product which could present a choking hazard. All plastic and wrapping materials should also be kept away from children and animals to prevent any risk of suffocation.
2. Do not stand on your product.
3. Always use the item on firm level ground, ensuring all legs remain in contact with the ground.
4. Place heaviest items in the lowest drawers.
5. Do not set TV or other heavy objects on top of the product.
6. Children should always be under supervision whilst using this product. Never allow children to climb on the drawers.
7. Never keep more than one drawer open at the same time.
8. In order to prevent overturning, this product must be used with the wall attachment device provided.
9. Serious or fatal crushing injuries can occur from tipping furniture.

## HELP AND SUPPORT

Please contact our customer service team on 0113 519 0311 if you have any questions or issues with your purchase.

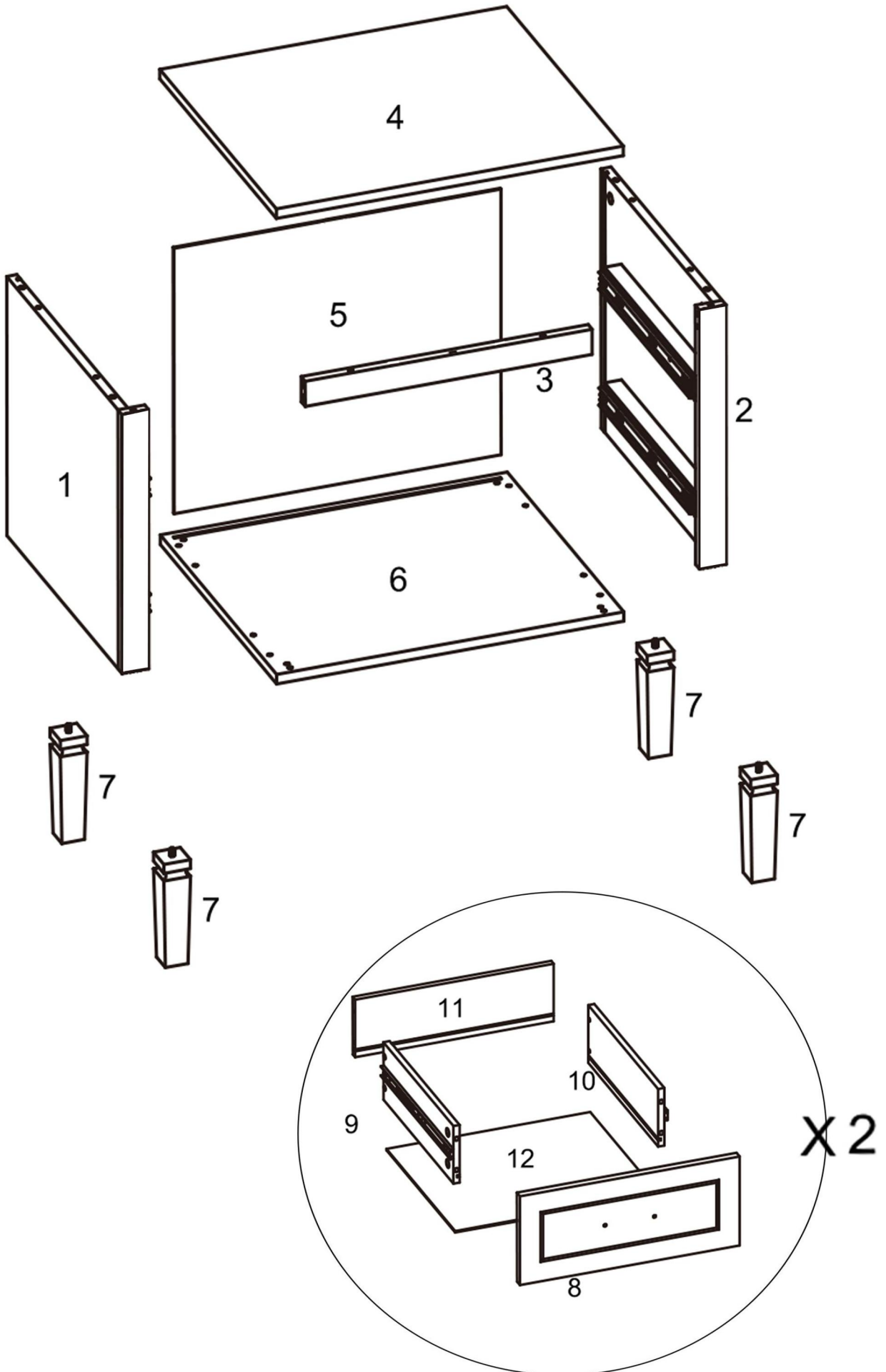
## RECYCLING

Please ensure that packaging is disposed of in a safe and environmentally friendly way, and recycle where possible. Please keep your assembly instructions safe to refer back to in the future.

## CARE AND MAINTENANCE

1. Only clean using a damp cloth, do not use bleach or abrasive cleaners as they may damage the finish over time.
2. Do not use a very wet cloth or allow any liquid to contact with the surface for a long period of time. Wipe any spillage immediately. Absorption can cause wood to warp or finishes to de-laminate.
3. Do not scrub or rub the surface when cleaning.
4. Do not drag the bedside when moving, lift it off the floor instead.
5. Use a placemat or a coaster when putting hot items (e.g. hot drinks and dishes) on the wood surface.
6. It is not recommended to place the item next to sources of heat such as radiators, fires or directly exposed to sunlight. This may cause the wood to crack, split or fade due to the heat and humidity.
7. Wood will mellow and change colour over time, we recommend that ornaments and items placed on the surface to be moved regularly to prevent uneven mellowing.
8. Regularly check all fixings to ensure none have come loose. Re-tighten if necessary.
9. Avoid sharp items such as a screwdriver or any pointy tools.

# Parts list



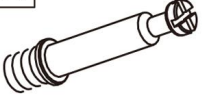




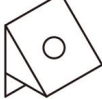
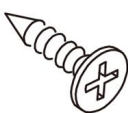



# Parts list

Before you begin building your bedside, please take a moment to read through the instructions and make sure that you have all the relevant parts listed on the parts check list.




Part Number	Part Description	Quantity	Box No	Part Number	Part Description	Quantity	Box No
1	Left Side Panel With Sides Pre-assembled	1 pc	Box 1	9	Drawer Left Side With Sides Pre-assembled	2 pcs	Box 1
2	Right Side Panel With Sides Pre-assembled	1 pc	Box 1	10	Drawer Right Side With Sides Pre-assembled	2 pcs	Box 1
3	Front Support Bar	1 pc	Box 1	11	Drawer Back Side	2 pcs	Box 1
4	Top Panel	1 pc	Box 1	12	Drawer Bottom	2 pcs	Box 1
5	Back Panel	1 pc	Box 1				
6	Bottom Panel	1 pc	Box 1				
7	Leg	4 pcs	Box 1				
8	Drawer Front	2 pcs	Box 1				

# Fittings

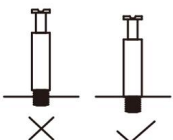
Please check you have all the fittings listed below with your product in Box 1.

<b>A</b> 	<b>B</b> 	<b>C</b> 	<b>D</b> 	<b>E</b> 	<b>F</b> 
M6*35mm Cam Lock Screw	Ø15*9mm Cam Lock	Ø8*30mm Dowel	M4*35mm Screw	Cover	Plastic Buckle
17pcs+2pc extra	17pcs+2pc extra	8pcs+1pcs extra	8pcs+1pc extra	8pcs+1pc extra	4pcs+1pc extra
<b>G</b> 	<b>H</b> 	<b>I</b> 	<b>J</b> 		
M3.5*14mm Screw	Handle	M4*18mm Bolt	M4*40mm Screw		
4pcs+1pc extra	2pcs	4pcs+1pc extra	8pcs+1pc extra		

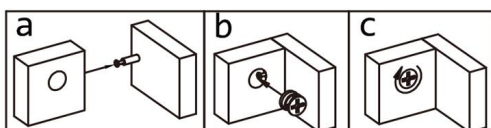
# Pre-assembled Fittings.

<b>e1</b> 	<b>e2</b> 	<b>Y</b> 
Slide	Slide	Ø3x12mm Screw
4pcs	4pcs	24pcs

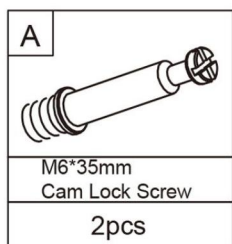
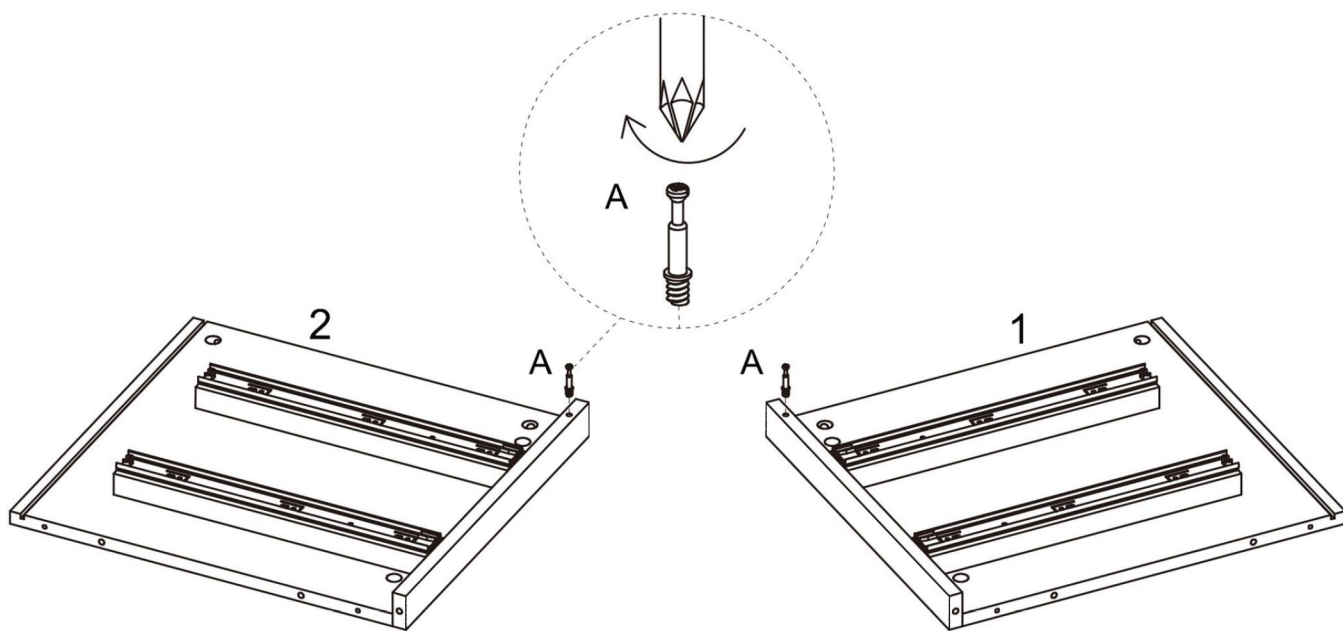
Ensure the cam lock screws are installed correctly, as indicated by the "check mark" below.



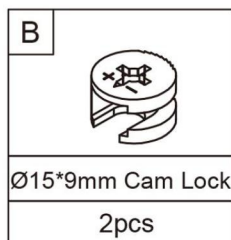
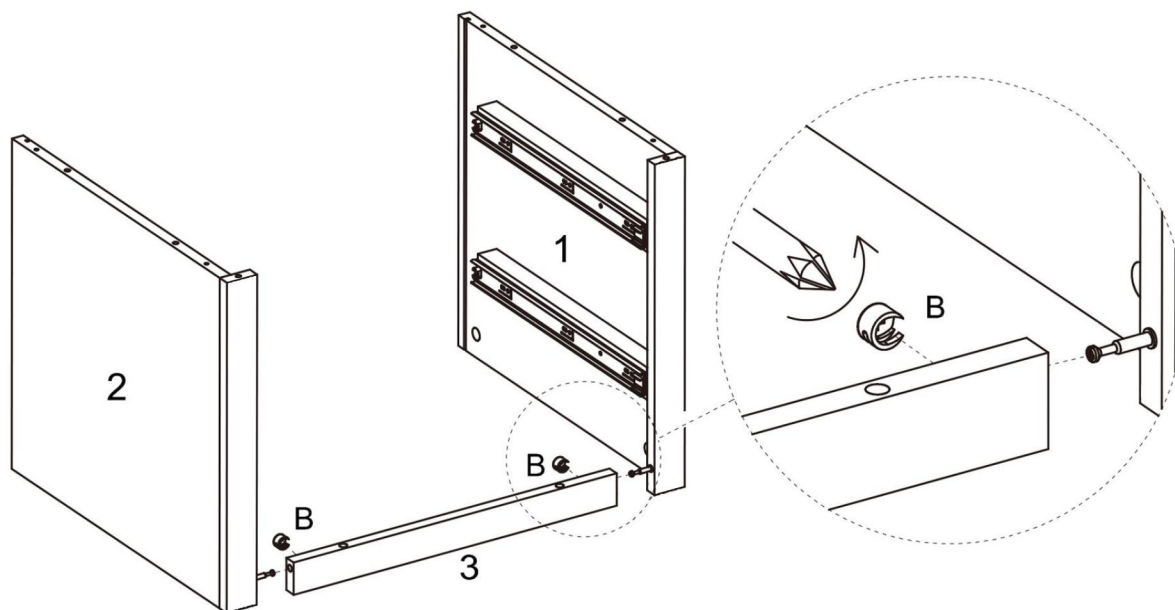
Refer to the illustration below to correctly use the cam lock screws for assembling the panels.



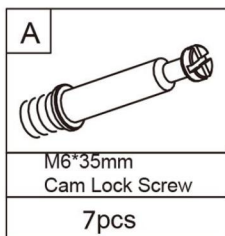
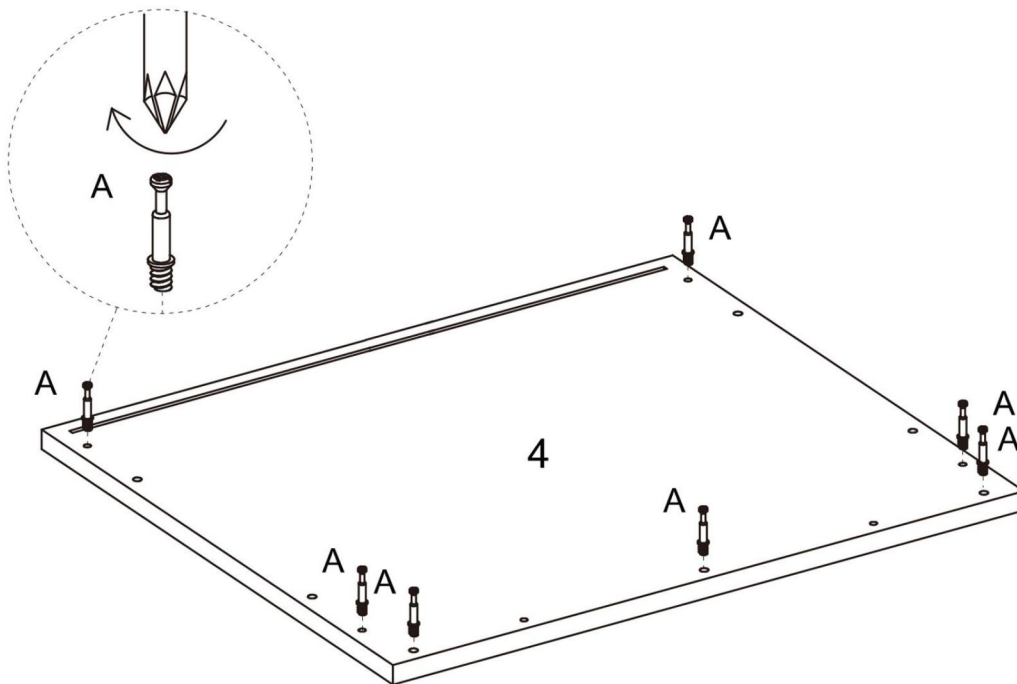
1. Attach Cam Lock Screws to Left Side Panel (1) and Right Side Panel (2).



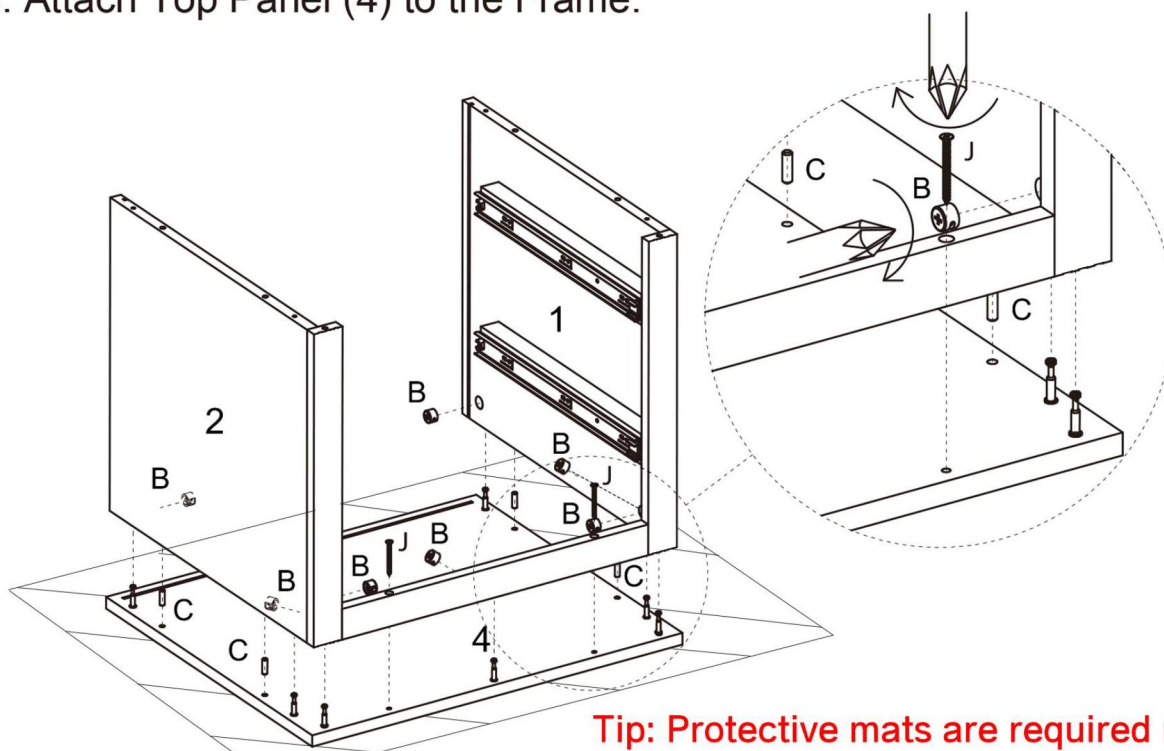
2. Attach Left Side Panel (1) and Right Side Panel (2) to Front Support Bar (3).



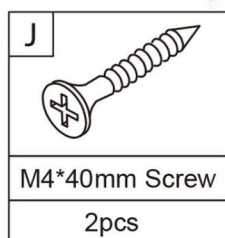
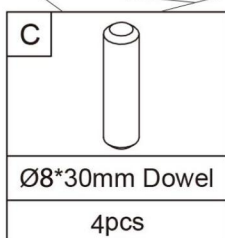
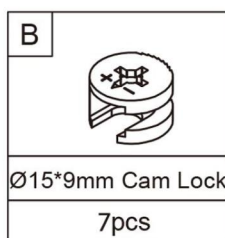
### 3. Attach the Wall Bracket and Cam Lock Screws to Top Panel (4).



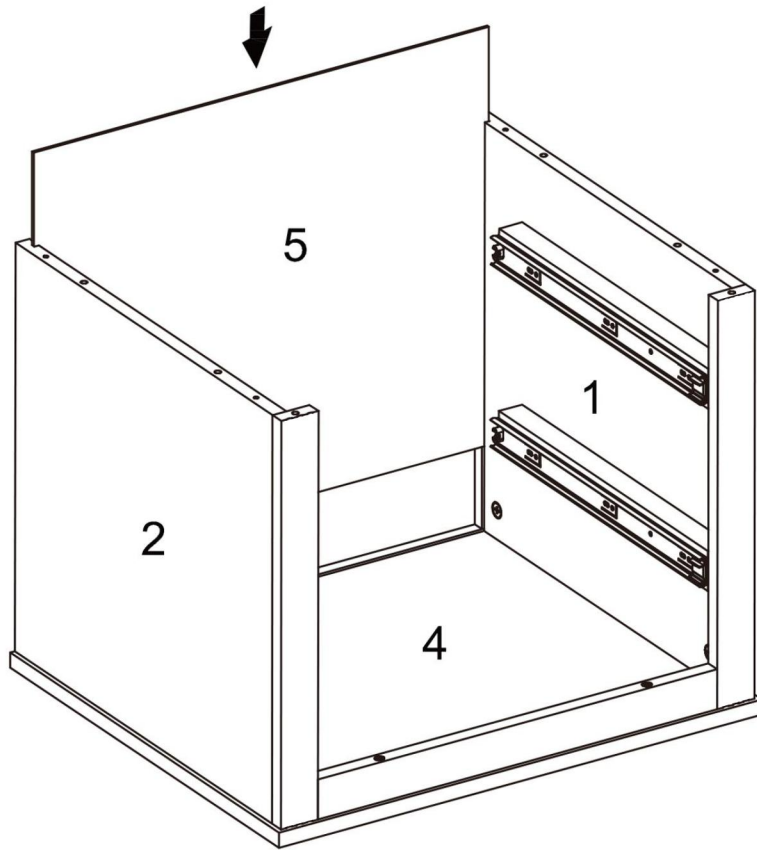
### 4. Attach Top Panel (4) to the Frame.



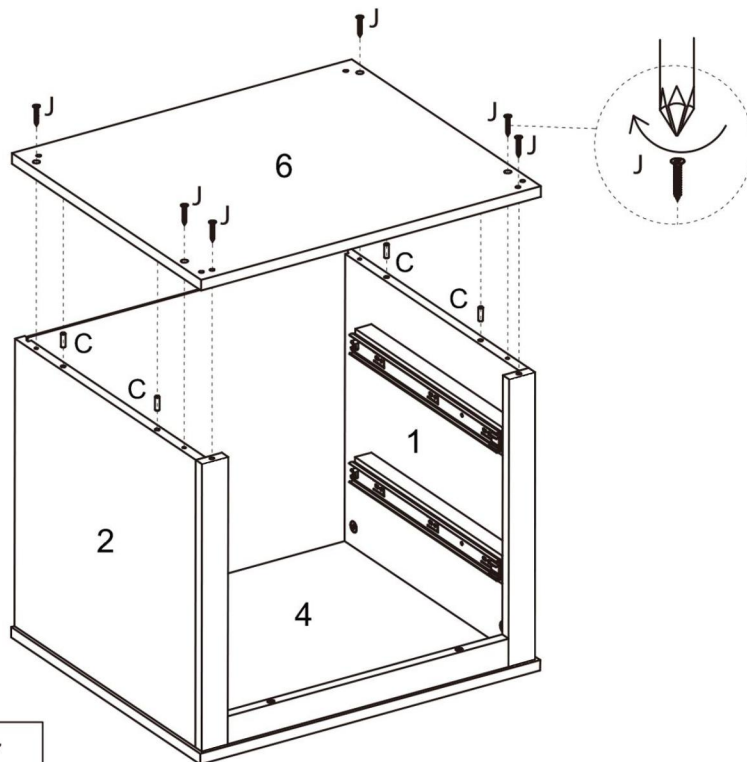
**Tip: Protective mats are required underneath**





5. Insert the Back Panel (5) to the Frame.

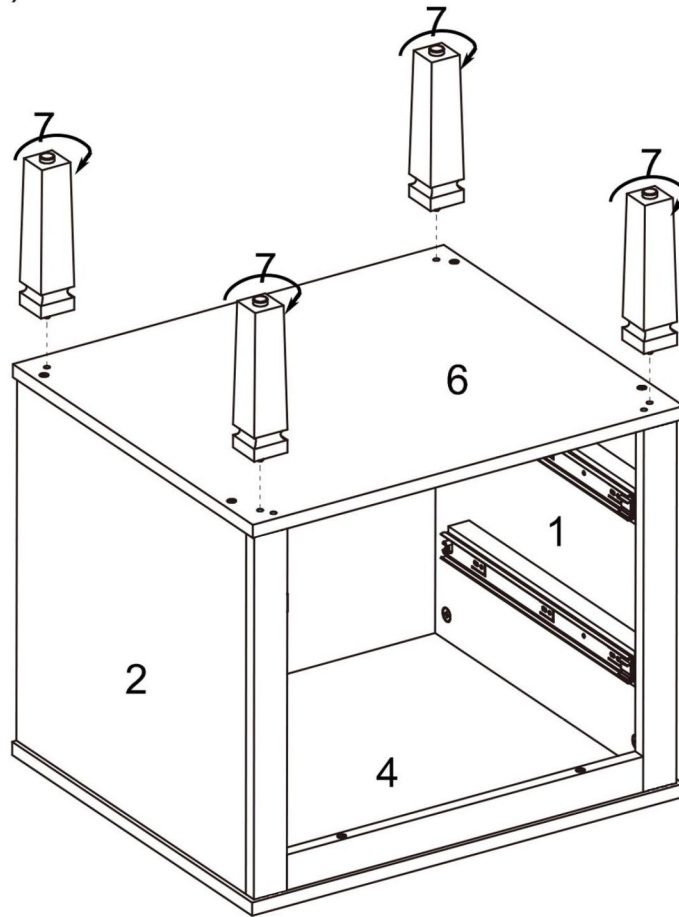


6. Attach Bottom Panel (6) to the Frame.

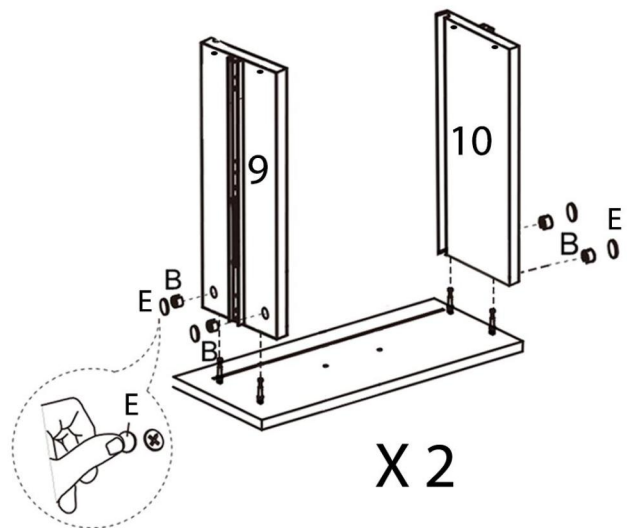
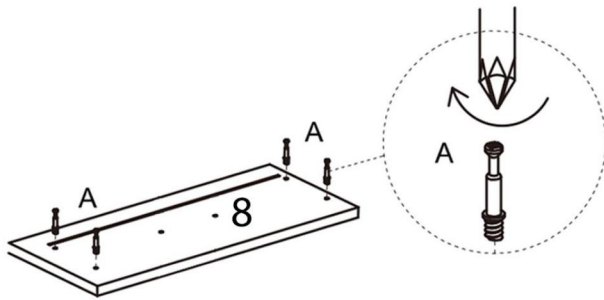


C		J	
Ø8*30mm Dowel		M4*40mm Screw	
4pcs		6pcs	

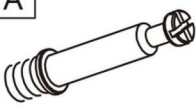


7. Attach the Legs (7) to the Frame.



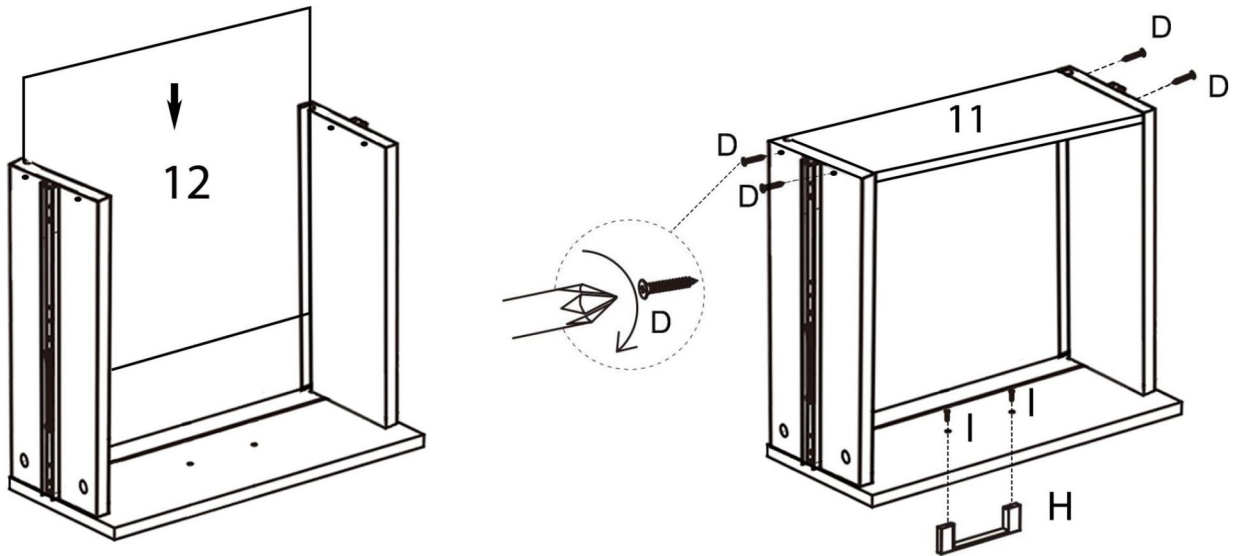
8. Assemble the drawer by following the steps shown in the illustration below.



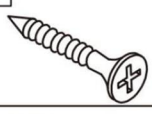


X 2

<p><b>A</b></p> 	<p><b>B</b></p> 	<p><b>E</b></p> 
<p>M6*35mm Cam Lock Screw 8pcs</p>	<p>Ø15*9mm Cam Lock 8pcs</p>	<p>Cover 8pcs</p>

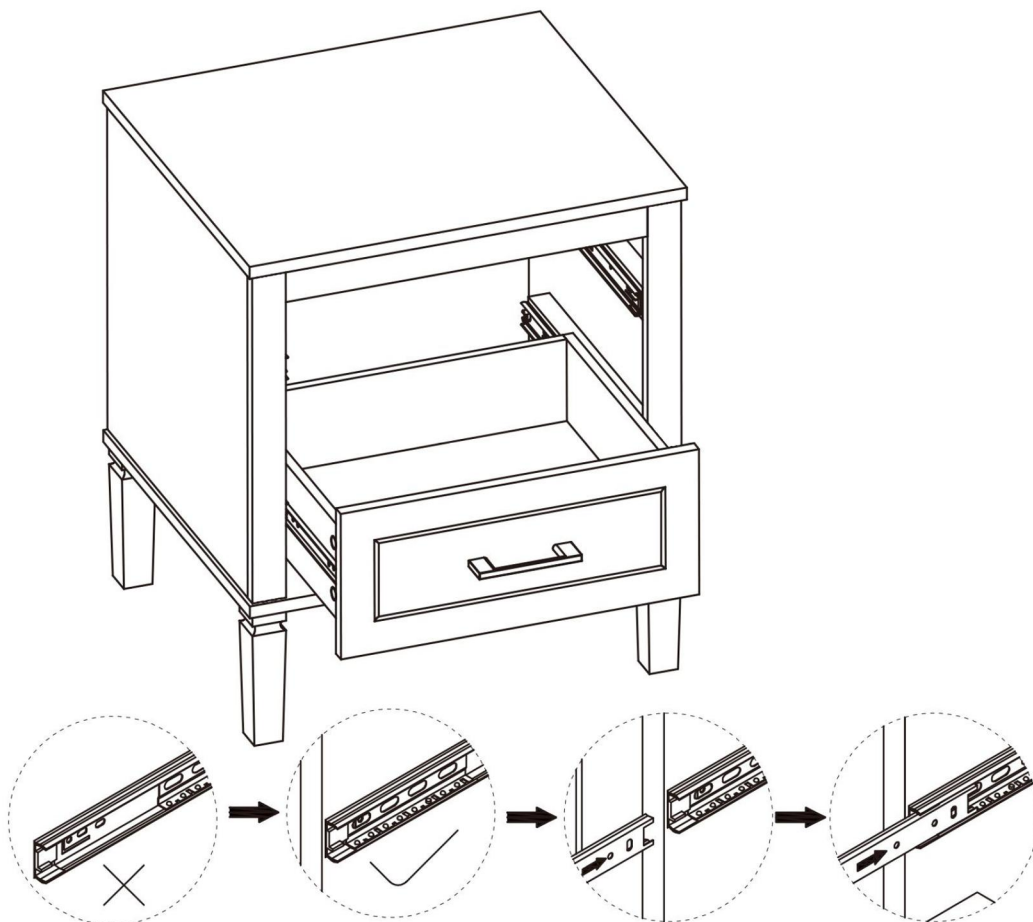
9. Assemble the drawer by following the steps shown in the illustration below.



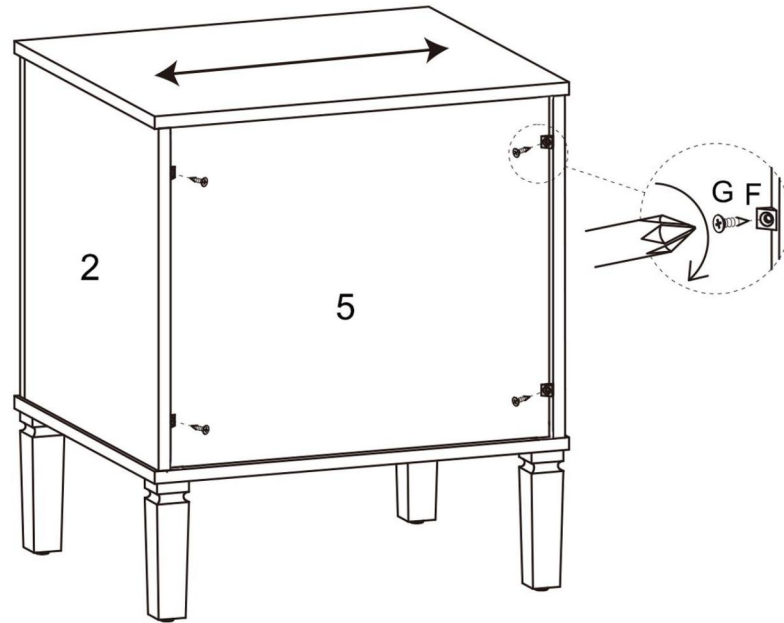
X2


		
<p>M4*35mm Screw 8pcs</p>	<p>Handle 2pcs</p>	<p>M4*18mm Bolt 4pcs</p>


10. Slide the lower Drawer into the Frame.



11. Attach the plastic buckles on back. Before securing them, manually adjust the frame to ensure the drawers are properly aligned, even, and parallel.



F	
Plastic Buckle	
4pcs	

G	
M3.5*14mm Screw	
4pcs	

12. Slide the upper Drawer into the Frame.

