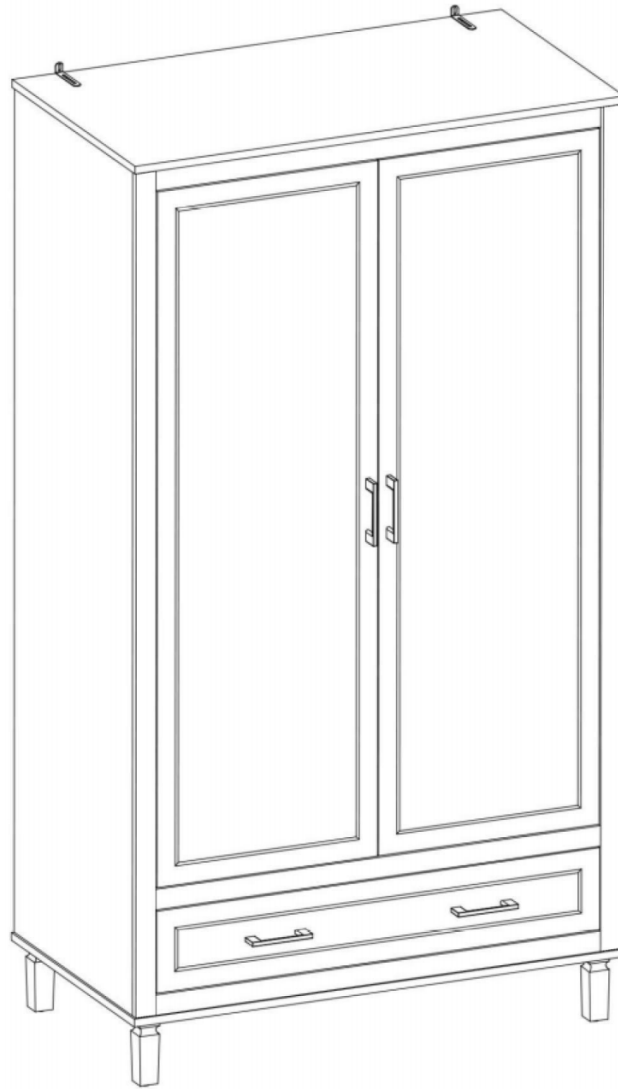
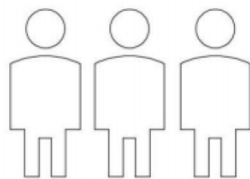


## 2 Door Wardrobe with Drawers



Up to 90 minutes  
assembly time



Three person  
assembly



Electric screwdriver  
prohibited

This product is intended for domestic use only, not for commercial purposes.

# Important

## Assembly Tip

Before you begin, we advise laying everything out on a clean and soft level surface to avoid damaging the unit or your floor. It's best to identify all of the parts and fittings to build your 2 door wardrobe, and to familiarise yourself with all of the parts and fittings before building.

## Top Tip

We recommend that you build your new 2 door wardrobe in the room you'd like it to be located. This will help prevent any risk of damage to the product whilst moving it.

## Safety and Care

1. It's important to ensure children and animals are kept away from the assembly area, as there are small components used in this 2 door wardrobe which could present a choking hazard.  
All plastic and wrapping materials should also be kept away from children and animals to prevent any risk of suffocation.
2. Do not stand on your product.
3. Always use the item on firm level ground, ensuring all legs remain in contact with the ground.
4. Place heaviest items in the lowest drawers.
5. Do not set TV or other heavy objects on top of the product.
6. Children should always be under supervision whilst using this product. Never allow children to climb on the drawers.
7. Never keep more than one drawer open at the same time.
8. The installation of anti tipping kit to secure your furniture is strongly suggested.
9. Serious or fatal crushing injuries can occur from tipping furniture.

## Help and Support

Please contact our customer service team on 0113 519 0311 if you have any questions or issues with your purchase.

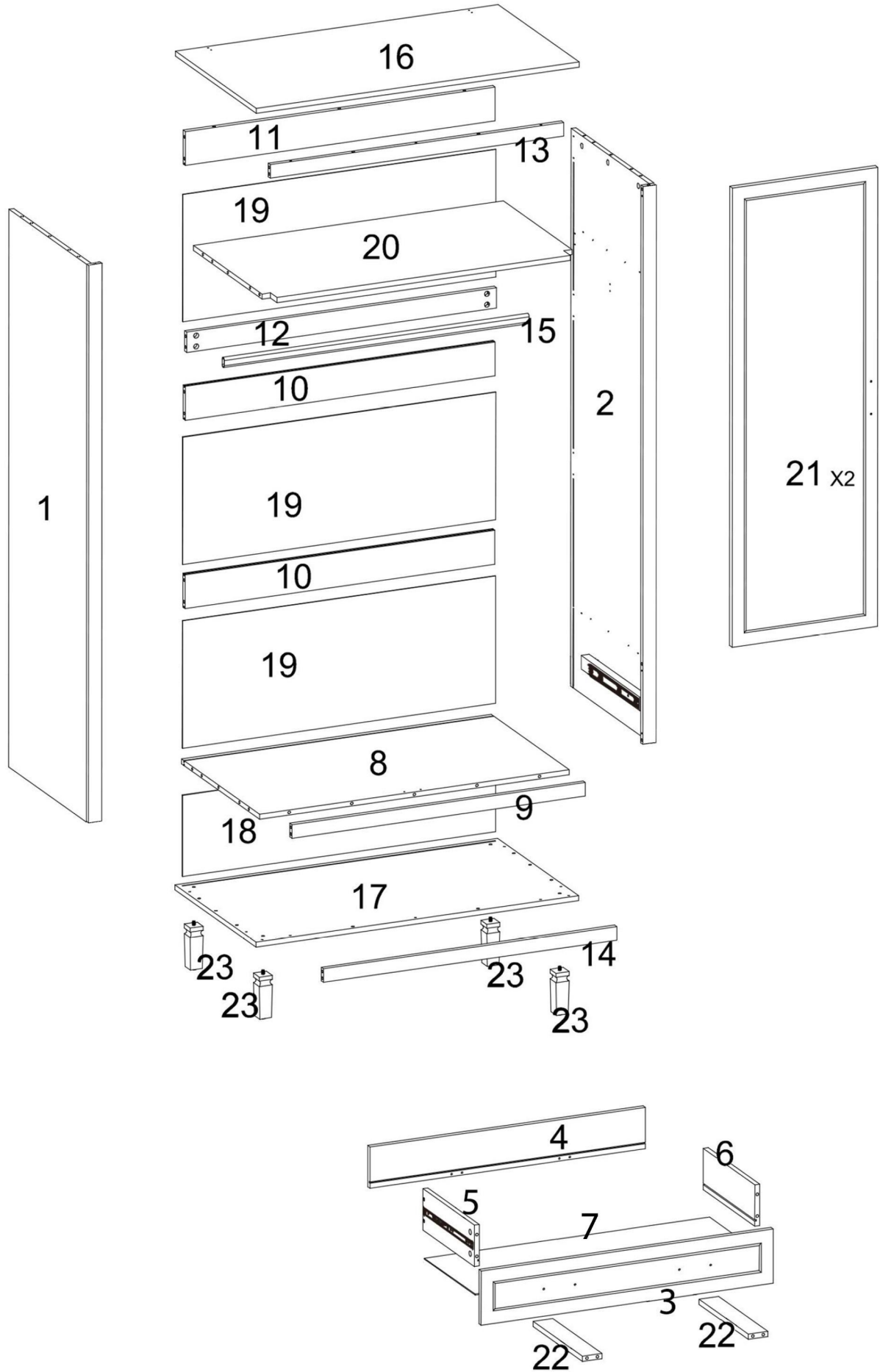
## Recycling

Please ensure that packaging is disposed of in a safe and environmentally friendly way, and recycle where possible. Please keep your assembly instructions safe to refer back to in the future.

# Care and Maintenance

1. Only clean using a damp cloth, do not use bleach or abrasive cleaners as they may damage the finish over time.
3. Do not scrub or rub the surface when cleaning.
2. Do not use a very wet cloth or allow any liquid to contact with the veneer for a long period of time. Wipe any spillage immediately. Absorption can cause wood to warp or finishes to de-laminate.
4. Do not drag the 2 door wardrobe when moving, lift it off the floor instead.
5. Use a placemat or a coaster when putting hot items (e.g. hot drinks and dishes) on the wood surface.
6. It is not recommended to place the item next to sources of heat such as radiators, fires or directly exposed to sunlight. This may cause the wood to crack, split or fade due to the change of the humidity and temperature.
7. Wood will mellow and change colour over time, we recommend that ornaments and items placed on the surface to be moved regularly to prevent uneven mellowing.
8. Regularly check all fixings to ensure none have come loose. Re-tighten if necessary.
9. Avoid sharp items such as a screwdriver or any pointy tools.

# Parts list



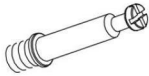

















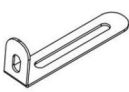



# Parts list

Before you begin building your product, please take a moment to read through the instructions and make sure that you have all the relevant parts listed on the parts check list.

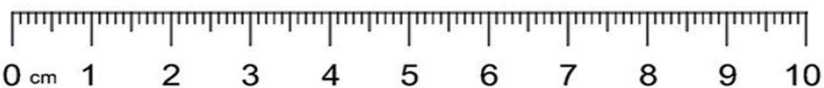
Part Number	Part Description	Quantity	Box No
1	Left Panel With Sides Pre-assembled	1 pc	Box 1
2	Side Panel With Sides Pre-assembled	1 pc	Box 1
3	Drawer Front	1 pc	Box 2
4	Drawer Back Side	1 pc	Box 2
5	Drawer Left Side With Sides Pre-assembled	1 pc	Box 2
6	Drawer Right Side With Sides Pre-assembled	1 pc	Box 2
7	Drawer Bottom	1 pc	Box 2
8	Bottom Shelf Panel	1 pc	Box 2
9	Middle Front Support Bar	1 pc	Box 2
10	Lower Back Support Bar	2 pcs	Box 2
11	Upper Back Support Bar	1 pc	Box 2
12	Middle Back Support Bar	1 pc	Box 2
13	Upper Front Support Bar	1 pc	Box 2
14	Lower Front Support Bar	1 pc	Box 2
15	Hanging Bar	1 pc	Box 2
16	Top Panel	1 pc	Box 2
17	Bottom Panel	1 pc	Box 2
18	Lower Back Panel	1 pc	Box 2
19	Middle Back Panel	3 pcs	Box 2
20	Top Shelf Panel	1 pc	Box 2
21	Door	2 pcs	Box 1
22	Drawer support bar	2 pcs	Box 2
23	Leg	4 pcs	Box 2

# Fittings checklist

Please check you have all the fittings listed below with your product: in Box 2

 <b>A</b> M6x35mm Cam Bolt x55pcs(+4 extra)	 <b>B</b> Ø15x9mm Cam Lock x55pcs(+4 extra)	 <b>C</b> Ø8x30mm Wood Dowel x34pcs(+4 extra)
 <b>D</b> M4x40mm Screw x14pcs(+1 extra)	 <b>E</b> M4x35mm Screw x10pcs(+1 extra)	 <b>F</b> Plastic Buckle x16pcs(+1 extra)
 <b>G</b> M3x14mm Screw x18pcs(+2 extra)	 <b>H</b> M4x18mm Screw x8pcs(+1 extra)	 <b>I</b> Handle x4pcs
 <b>J</b> Hinge x8pcs	 <b>K</b> M4x14mm Screw x52pcs(+5 extra)	 <b>L</b> Cover x25pcs(+2 extra)
 <b>M</b> Door Strike Plate x4pcs	 <b>N</b> Door Catch x2pcs	 <b>O</b> M3x12mm Screw x 4pcs
 <b>P</b> Wooden Block x1pc	 <b>Q</b> Tube Bracket x2 sets	 <b>R</b> M4x14mm Screw x4pcs (+ 1 extra)
 <b>S</b> Wall Bracket x2pcs	 <b>T</b> Wall Anchor x2pcs	 <b>U</b> M3x18mm Screw x2pcs
 <b>V</b> M4x25mm Screw x2pcs		


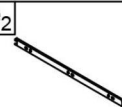

Bolt Length Ruler:



Tool required

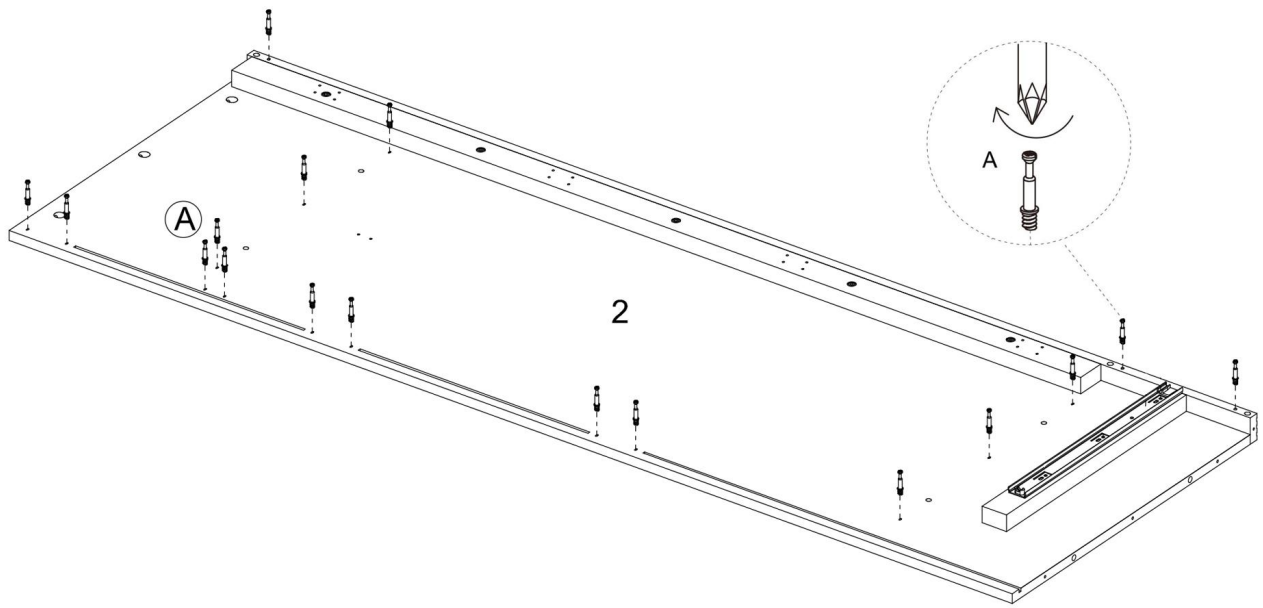


Pre-assembled Fittings.


 Slide 2pcs	 Slide 2pcs	 Ø3x12mm Screw 12pcs
--	--	---

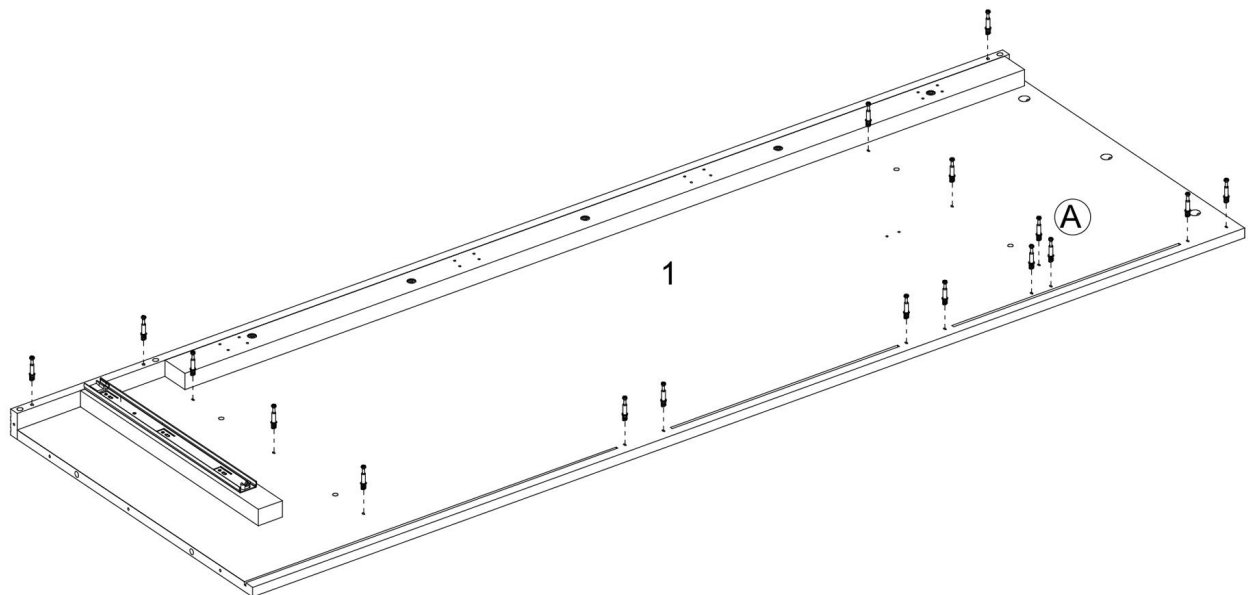
## Step 1 : Attach Cam Lock Screws to Right Side Panel (2).

**(A)**  17 pcs






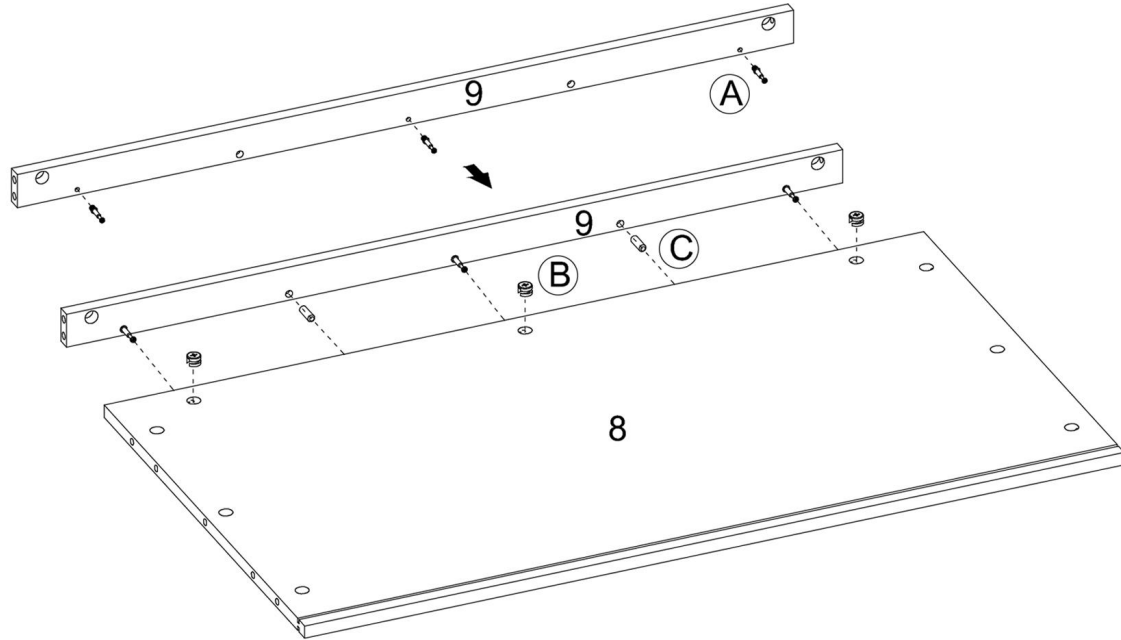
## Step 2 : Attach Cam Lock Screws to Left Side Panel (1)

**(A)**  17 pcs






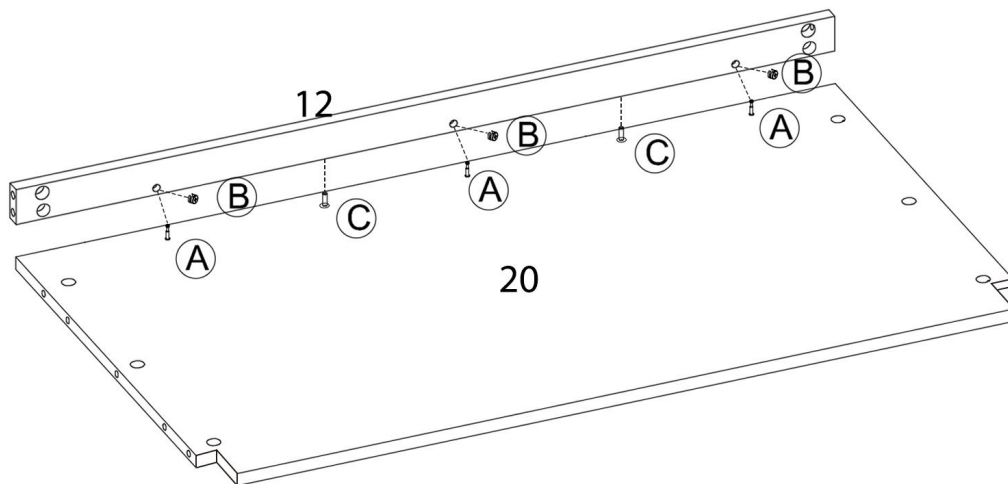
**Step 3:** Attach the Cam Bolt to the Middle Front Support Bar (9), then attach the Middle Front Support Bar (9) to the Bottom Shelf Panel (8).

- (A)  3pcs
- (B)  3pcs
- (C)  2pcs









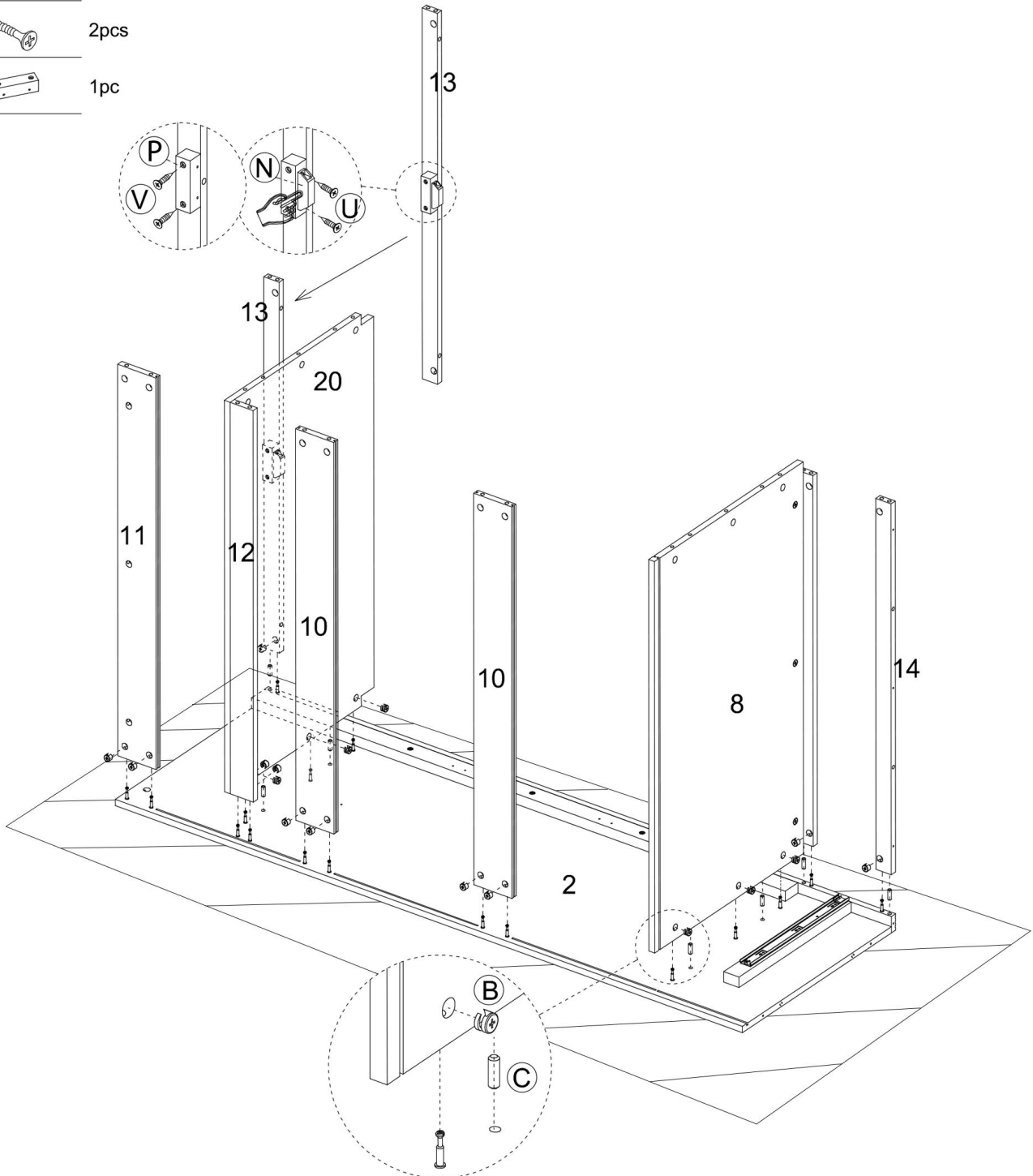
**Step 4:** Attach the Cam Bolt to the Middle Front Support Bar (20), then attach the Middle Front Support Bar (20) to the Bottom Shelf Panel (12).

- (A)  3pcs
- (B)  3pcs
- (C)  2pcs



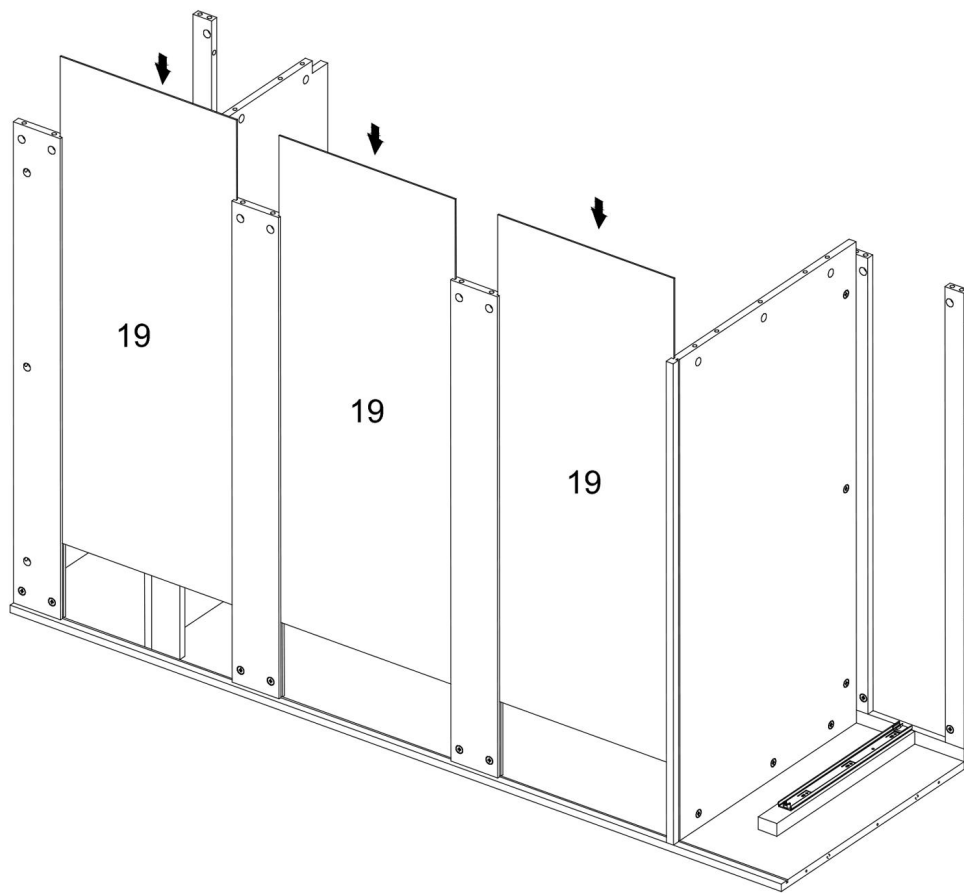
**Step 5 : Attach the wooden block and door catch to Upper Front Support Bar (13).  
Attache parts (8, 10, 11, 12, 13, 14, 20) to Right Panel (2).**

- (B)**  17pcs
- (C)**  7pcs
- (N)**  1pcs
- (U)**  2pcs
- (V)**  2pcs
- (P)**  1pc



**Tip: Protective mats are required underneath**

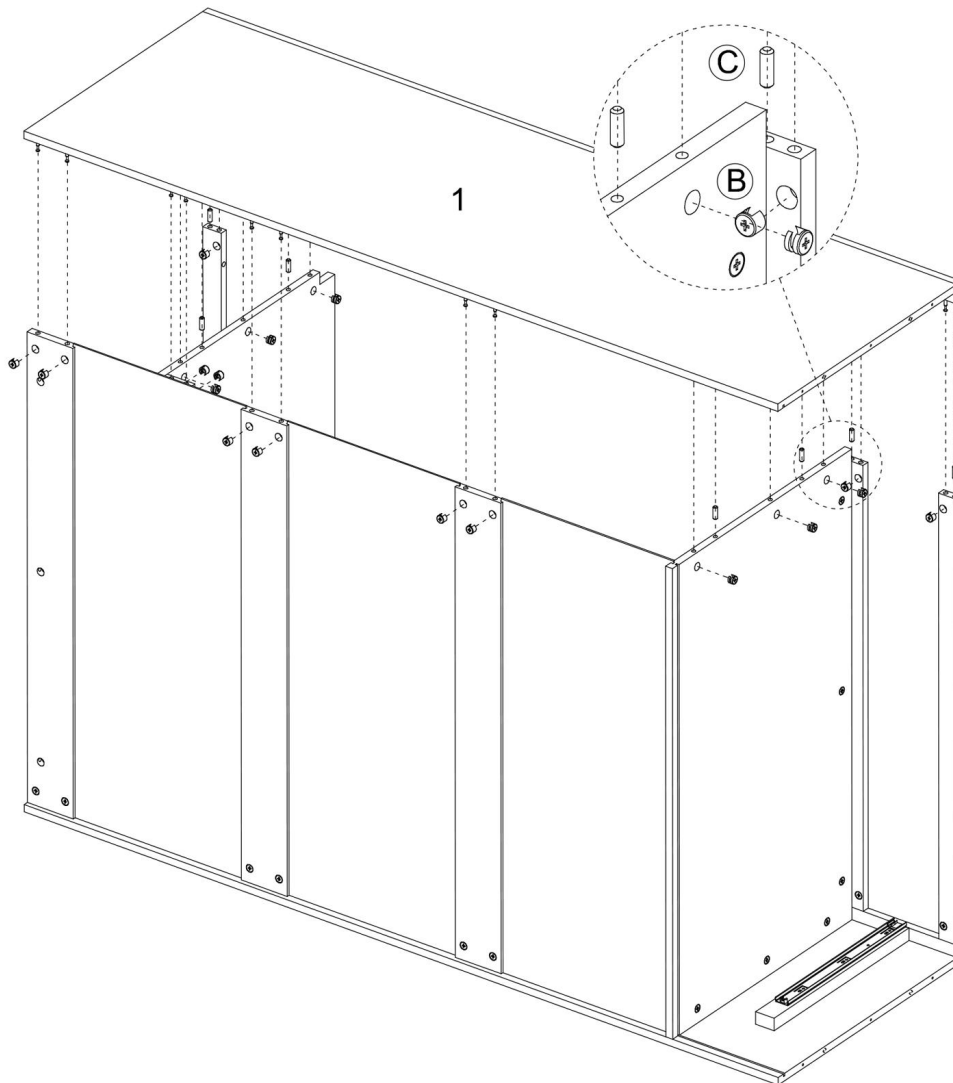
Step 6: Attach Middle Back Panels (19) to the Frame.



## Step 7: Attach Left Panel (1) to the Frame.

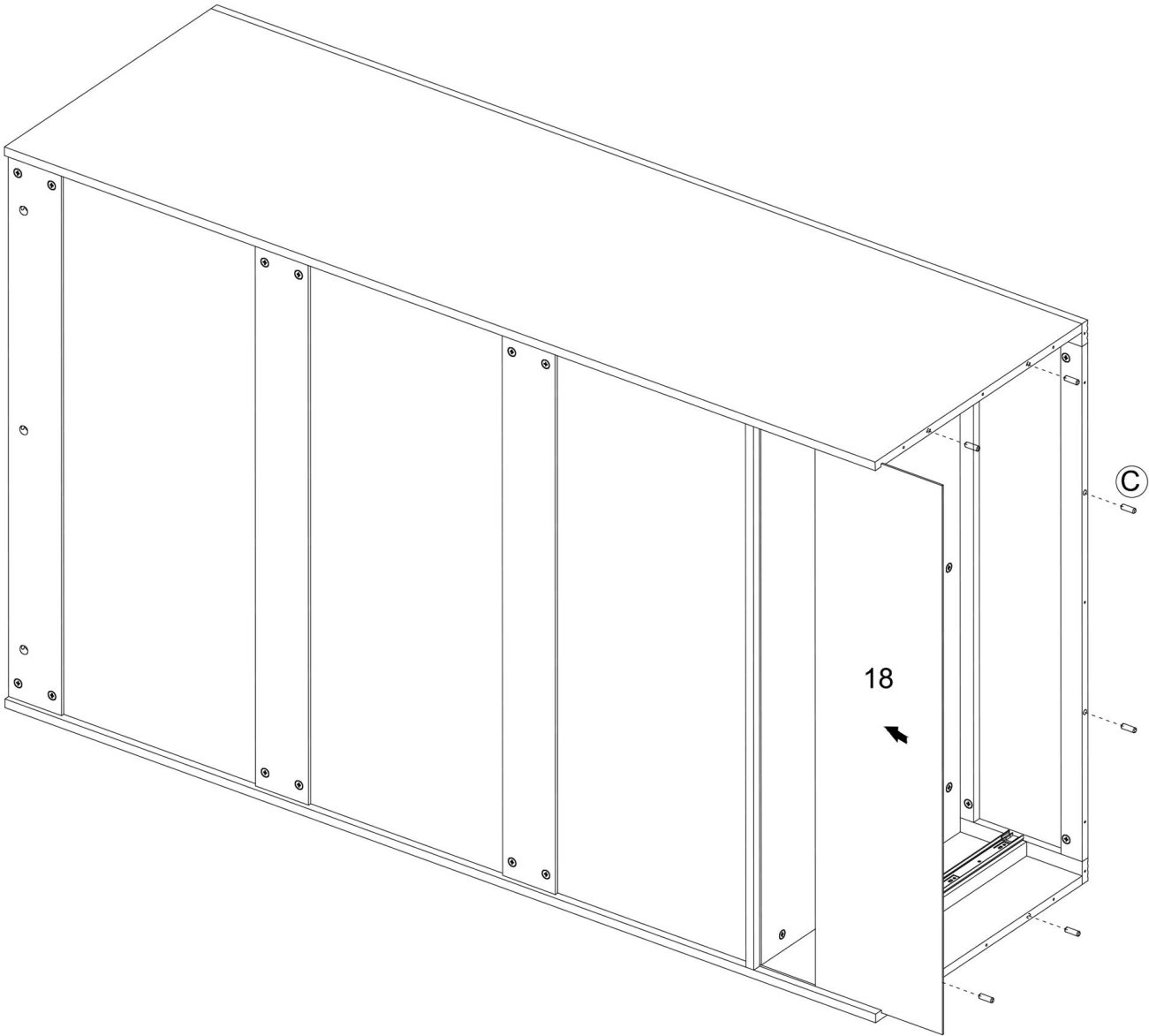
(B)  17pcs

(C)  7pcs



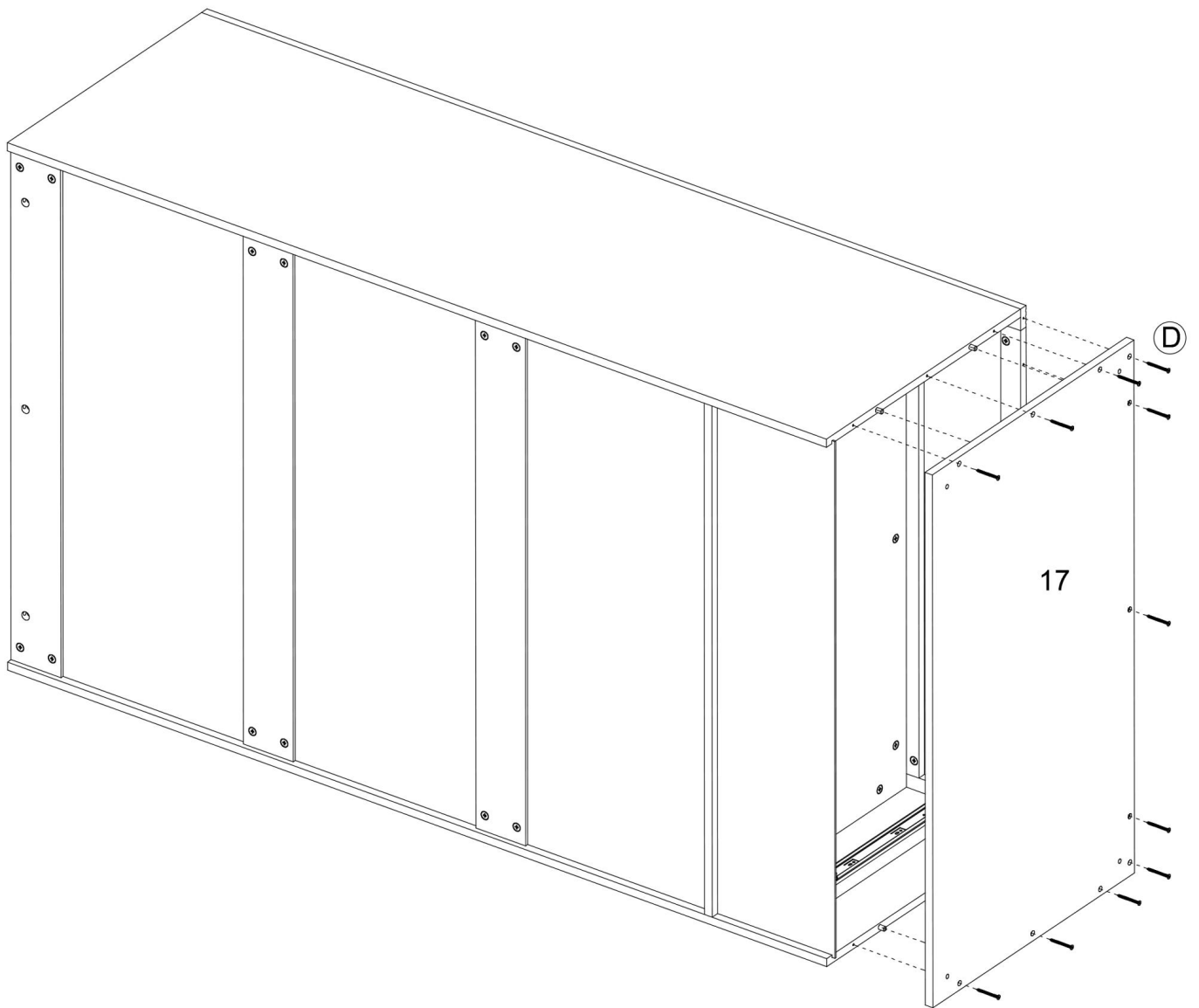
**Step 8:** Attach Lower Back Panels (18) to the Frame and attach the Dowel (C) to the Frame.

**C**  6pcs

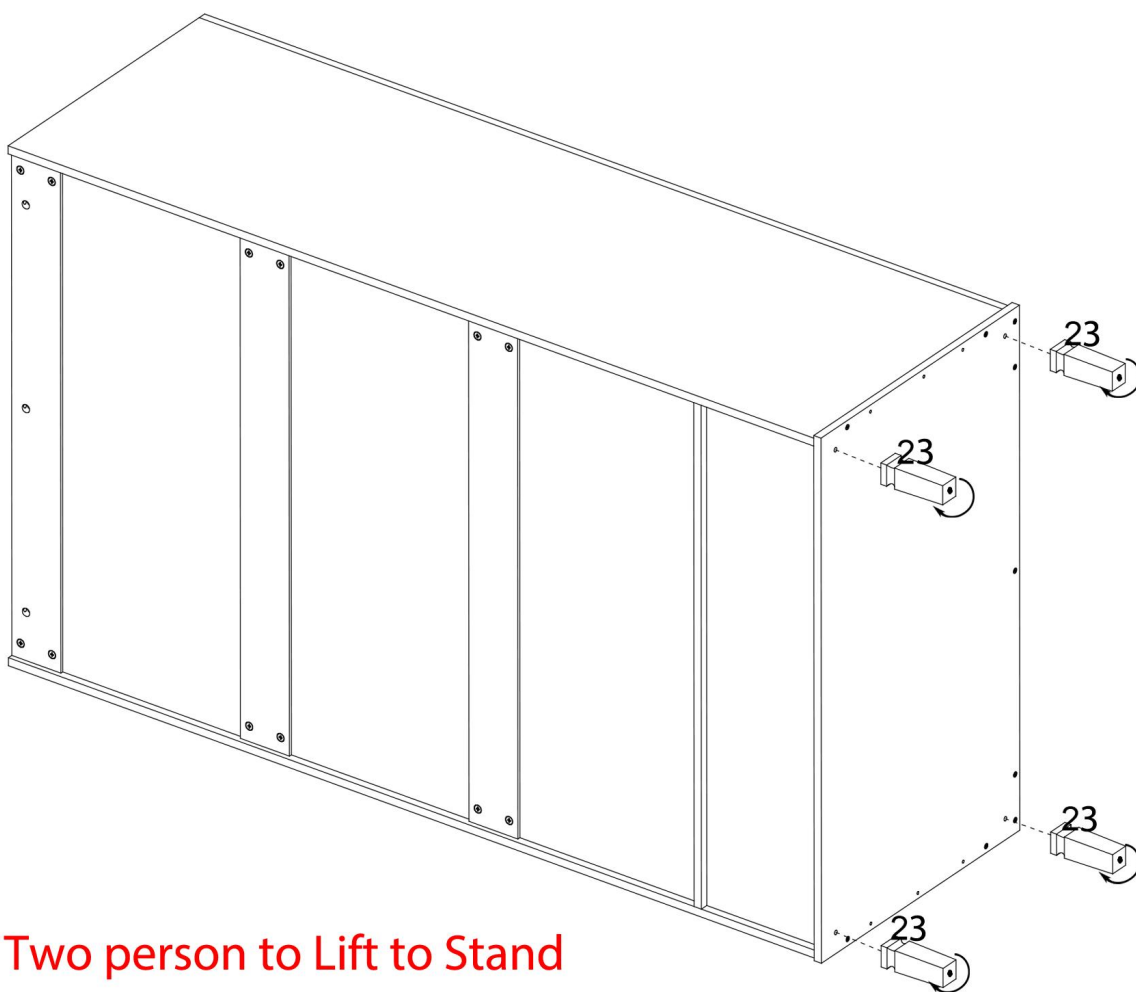


## Step 9: Attach the Bottom Panel (17) to the Frame.

**D**  11pcs




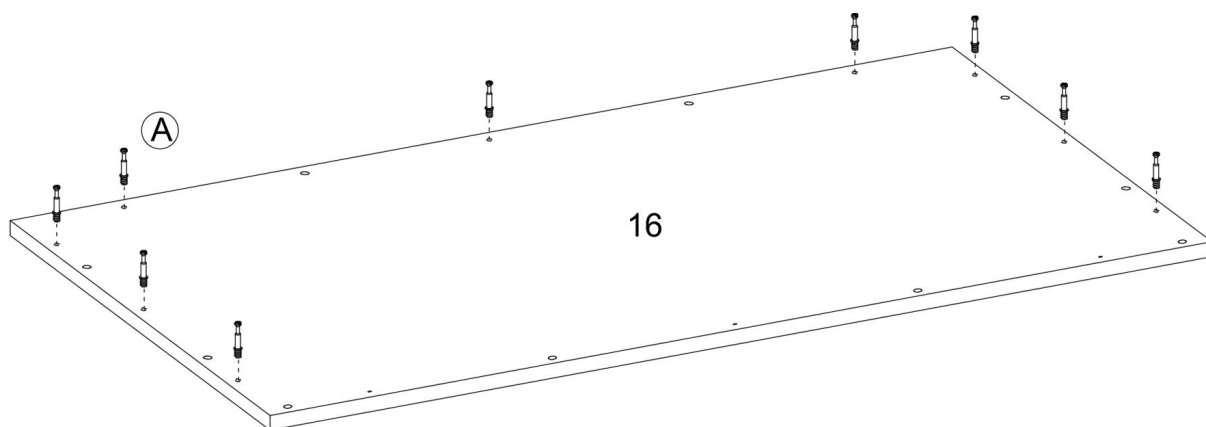
**Step 10: Attach the Legs (23) to the Frame.**



**Tip: Two person to Lift to Stand**

**Step 11 : Attach the Cam Bolt to the Top Panel (16) .**

**(A)**  9pcs



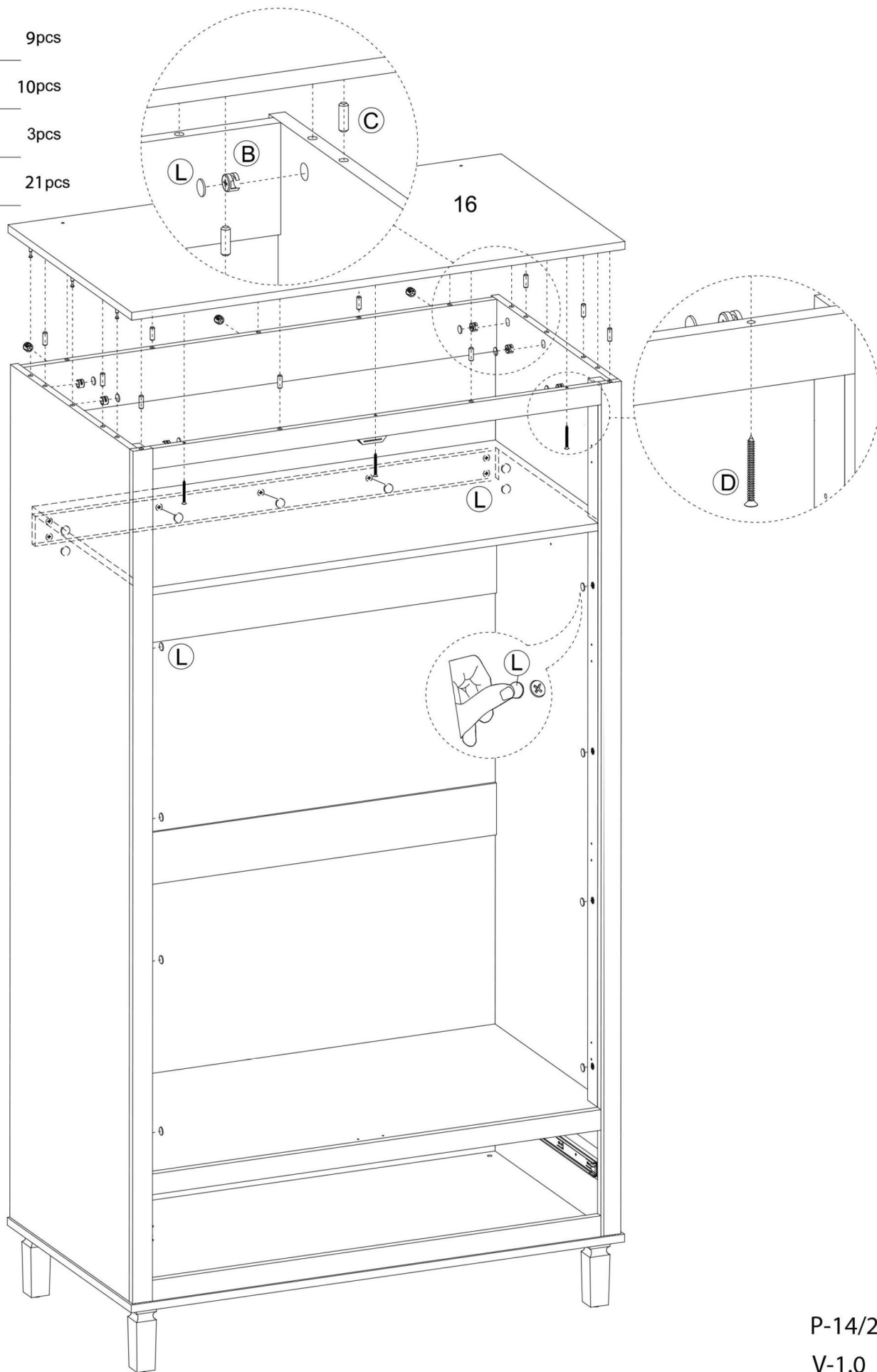
## Step 12: Attach the Top Panel (16) to the Frame.

**(B)**  9pcs

**(C)**  10pcs

**(D)**  3pcs

**(L)**  21pcs



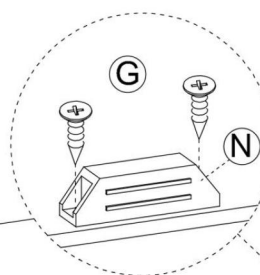
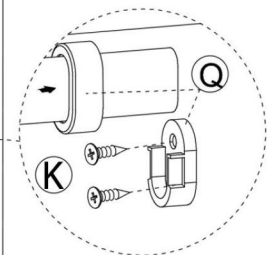
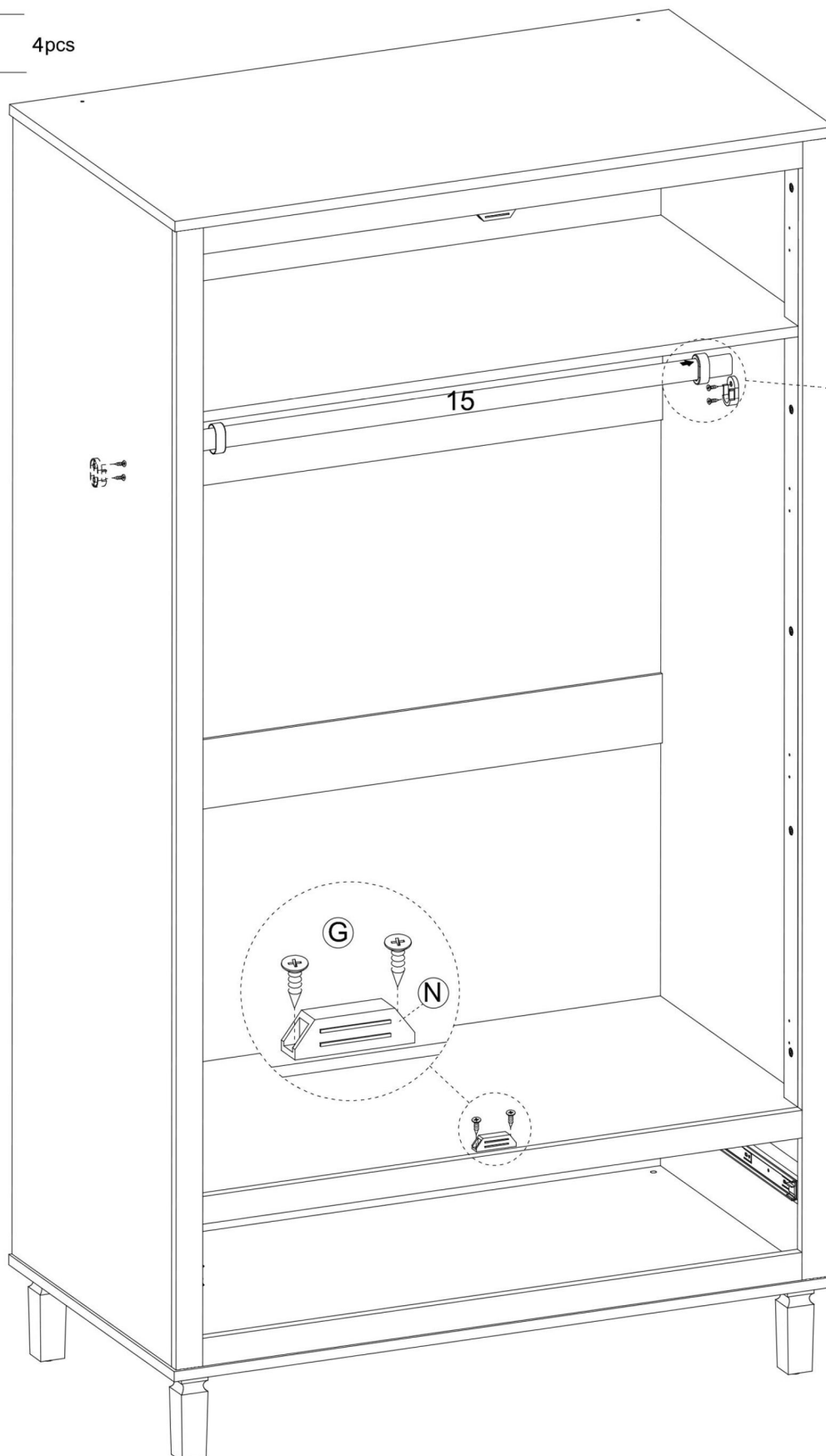
# Step 13: Attach Door Catch (N) and Tube Bracket (Q) to the Frame.

**G**  2pcs

**N**  1pc

**Q**  2sets

**K**  4pcs

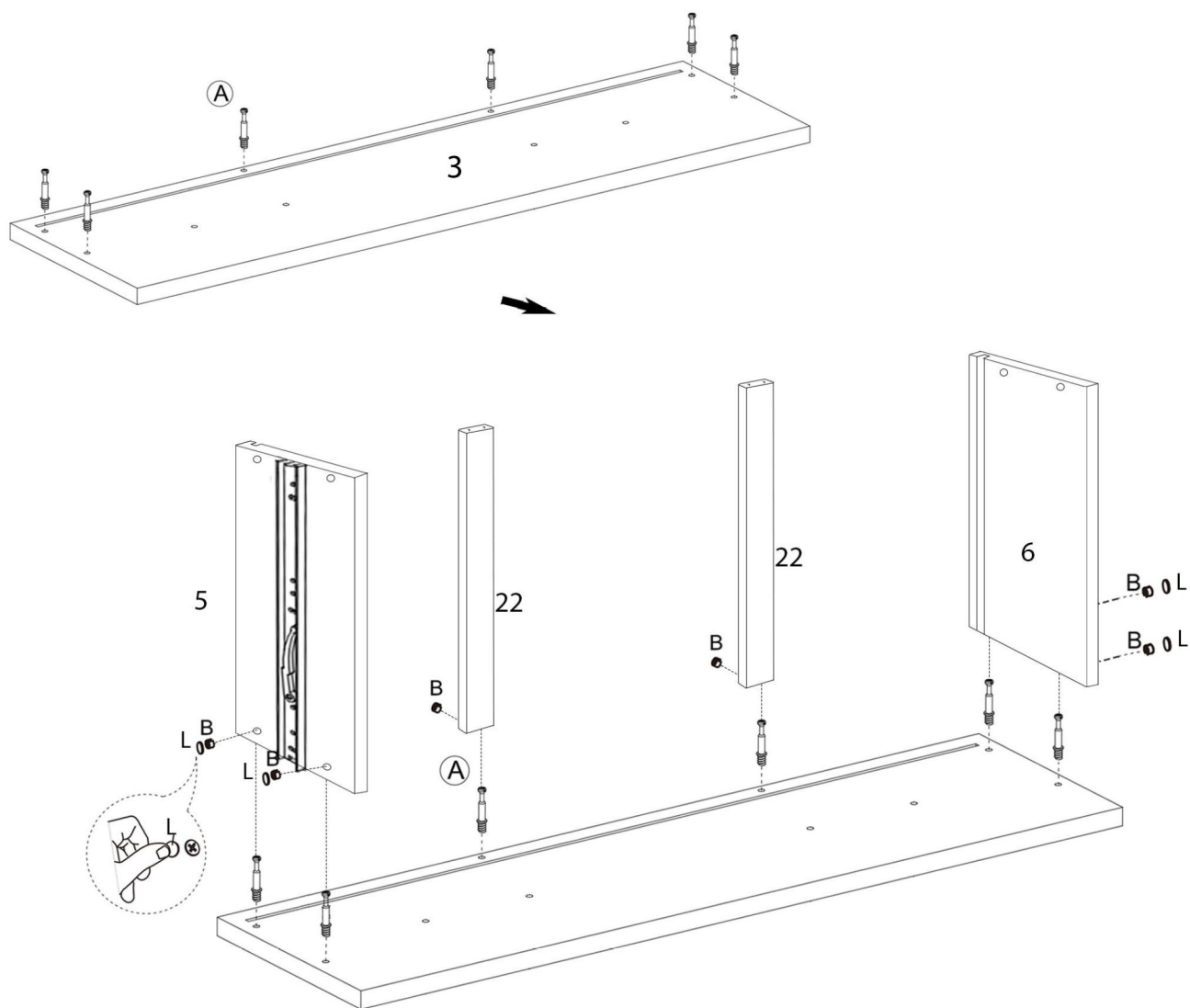


Step 14: Assemble the drawer by following the steps shown in the illustration below.

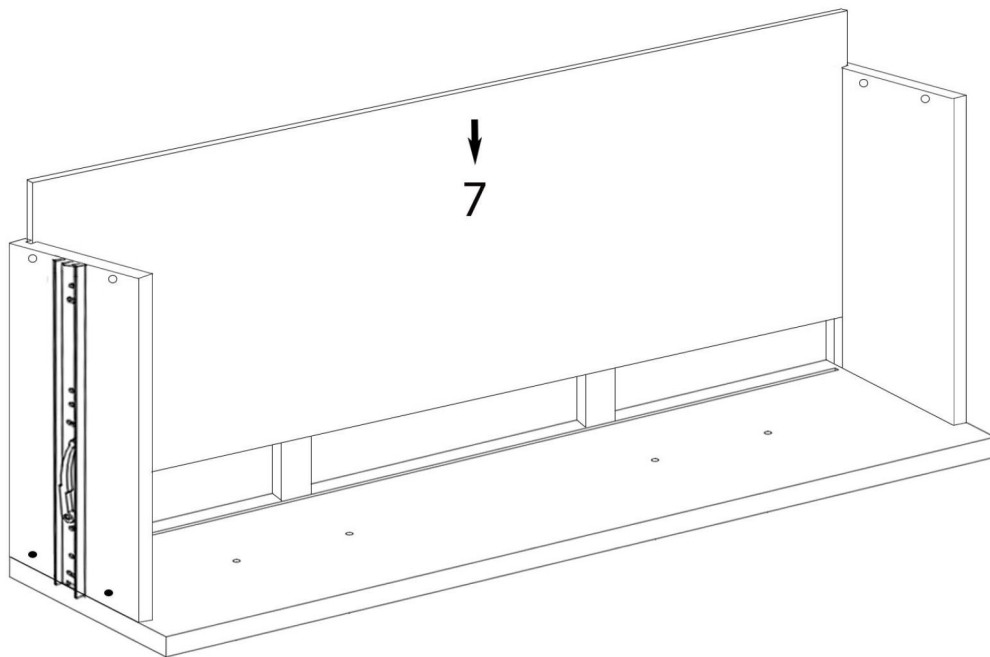
(A)  6pcs

(B)  6pcs

(L)  4pcs



Step 15: Assemble the drawer by following the steps shown in the illustration below.

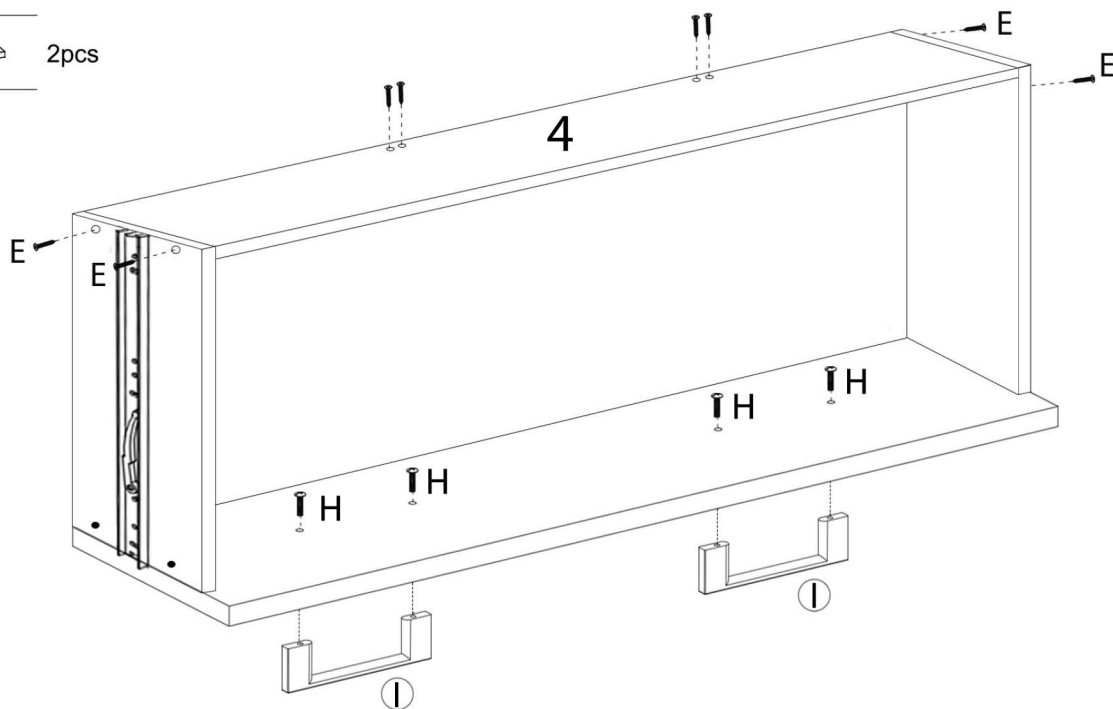


Step 16: Assemble the drawer by following the steps shown in the illustration below.







Ⓔ 8 pcs

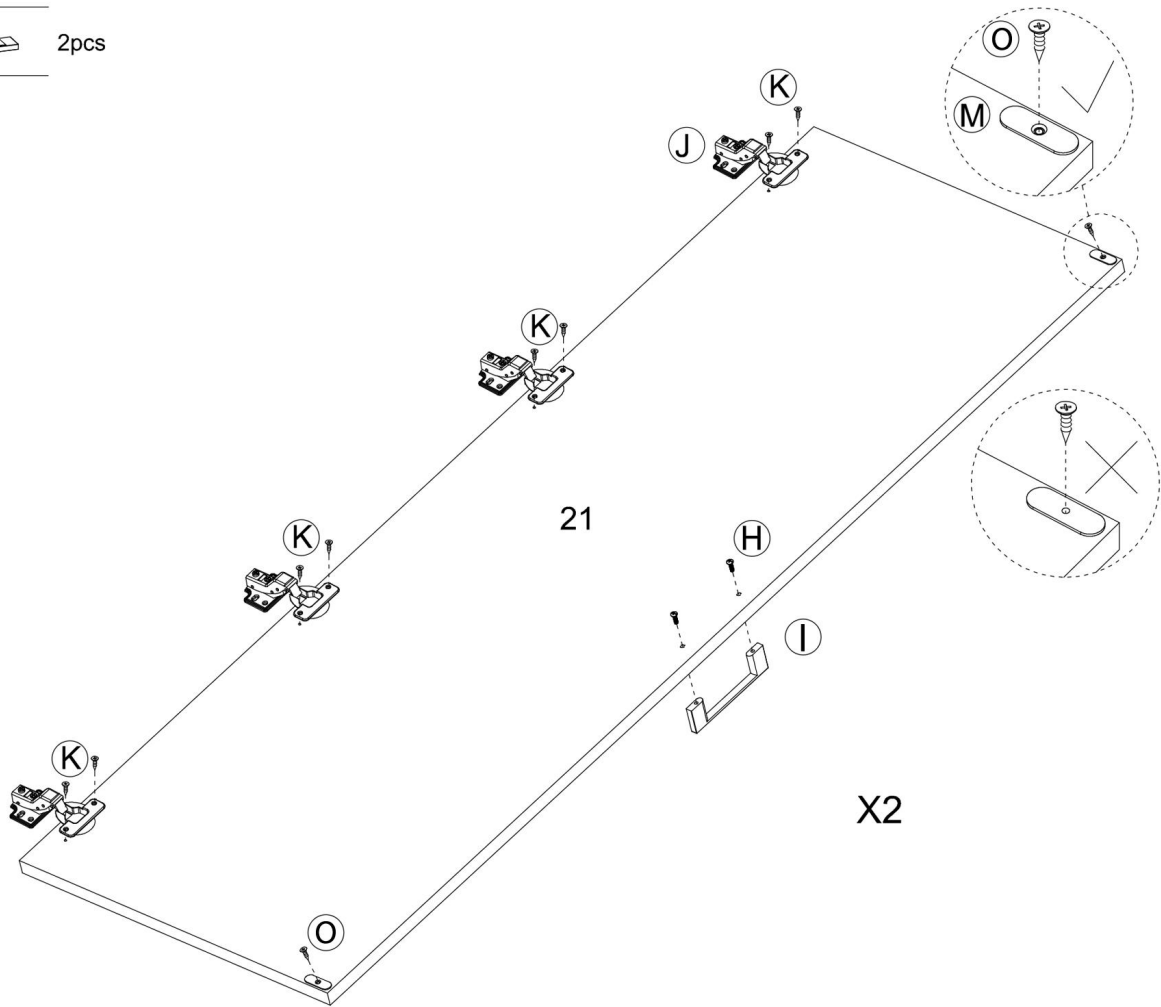
Ⓕ 4 pcs

Ⓖ 2 pcs



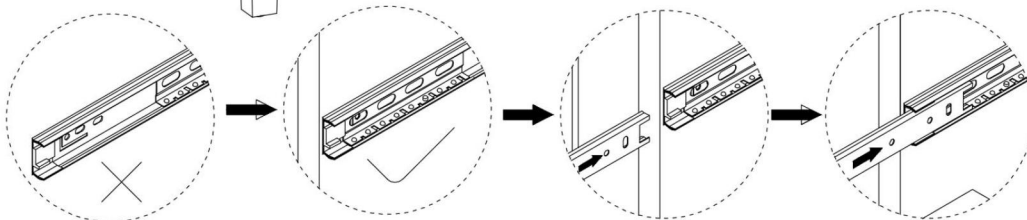
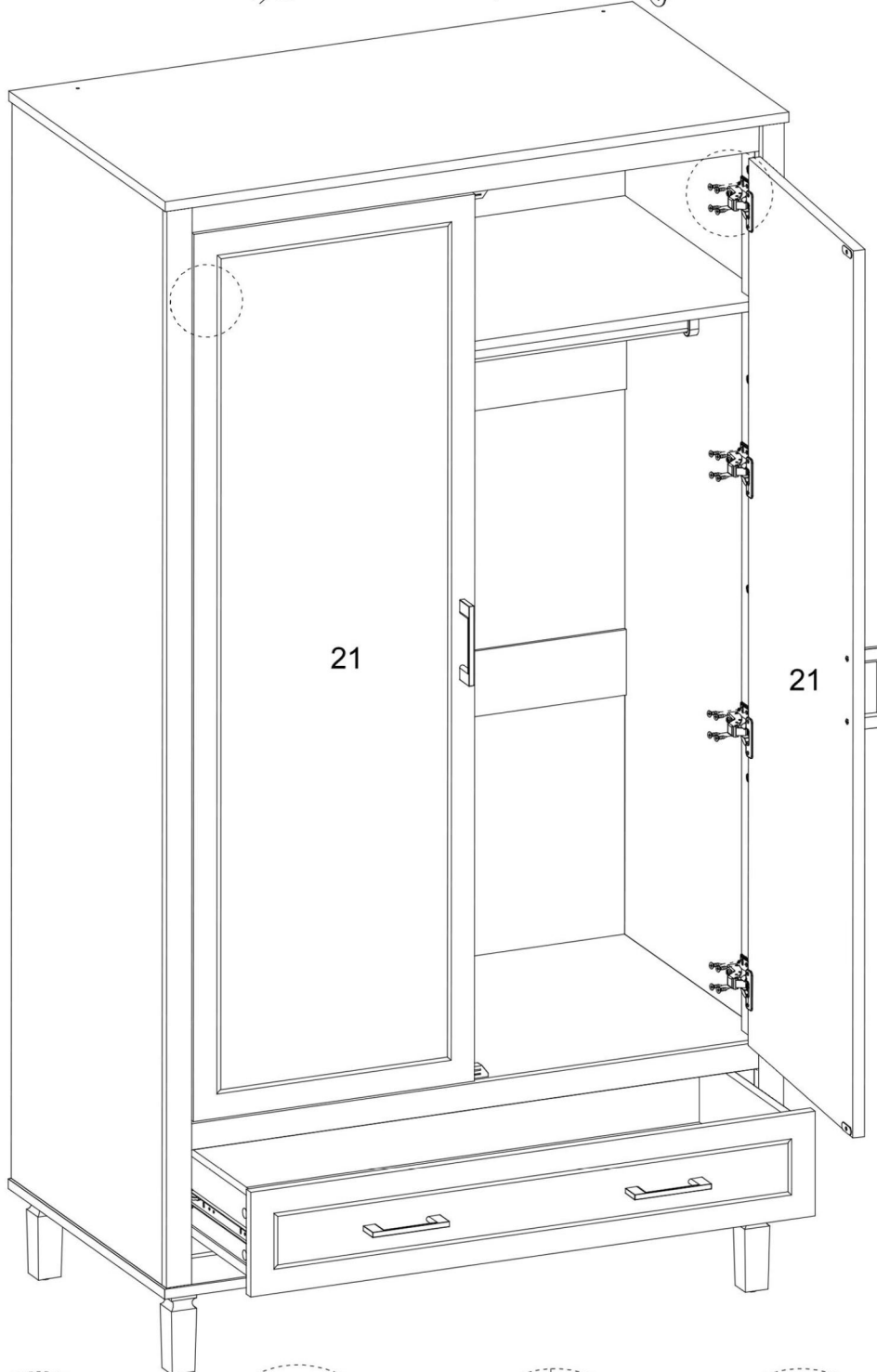
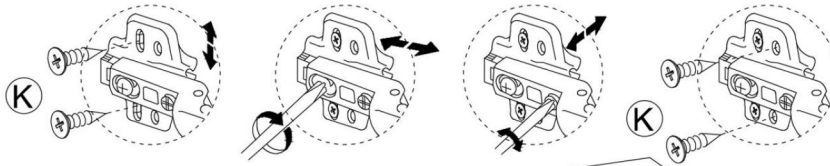
# Step 17: Attach the Hinges, Handle and Door Strike Plate to Door (21).

- ⓪  4pcs
- ⓙ  8pcs
- Ⓚ  16pcs
- Ⓜ  4pcs
- ⓗ  4pcs
- Ⓢ  2pcs




**Step 18: Attach the Doors (21) to the Frame, Slide the drawer into the Frame.**


**(K)**  32pcs




**Step 19:** Attach the plastic buckles and wall bracket. Before securing the plastic buckles, manually adjust the frame to ensure the drawer and doors are properly aligned, even, and parallel.

- F**  16pcs


---

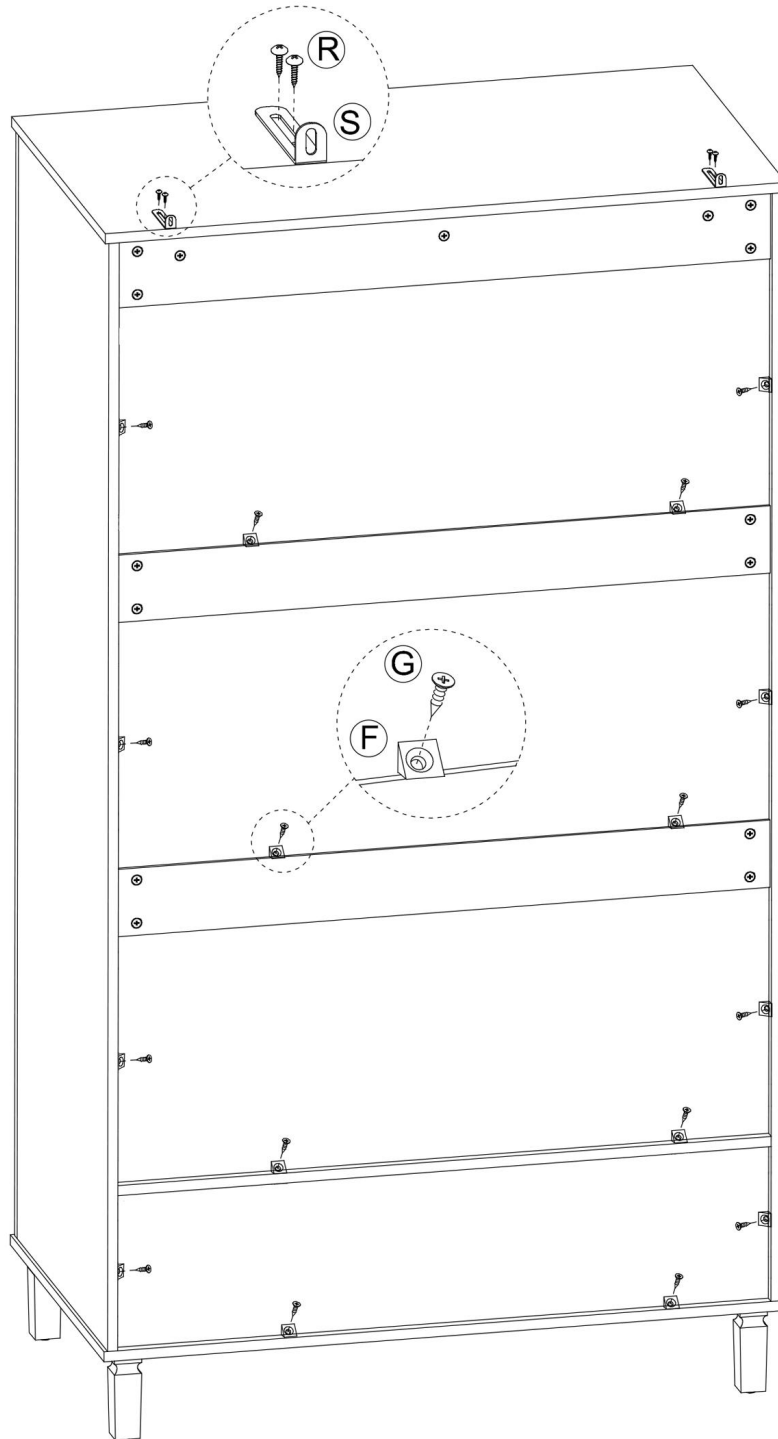
- G**  16pcs

---

- R**  4pcs

---

- S**  2pcs



**Step 20:** Fix the wall bracket to the wall by drilling holes, inserting wall anchors, and securing it with screws.

**(E)**  2pcs

**(T)**  2pcs

