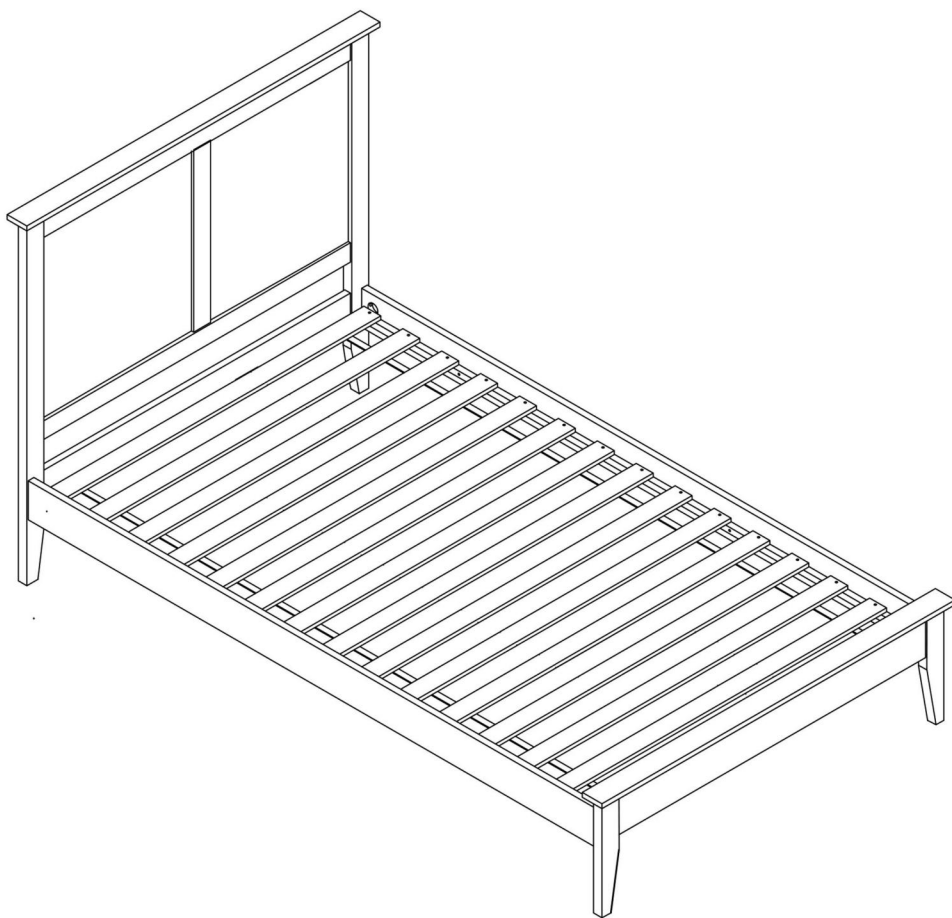
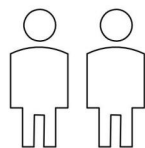


## Salcombe Bed Frame

Single



Up to 2 hours  
assembly time



Two person  
assembly

# **Important**

## **Assembly Tip**

Before you begin, it's best to identify all of the parts and fittings to build your bed frame. We advise laying these out on the floor to check you have everything, and to familiarise yourself with all of the parts and fittings before building.

## **Top Tip**

We recommend that you build your new bed frame in the room you'd like it to be located. This will help prevent any risk of damage to the frame whilst moving it.

## **Safety and Care**

It's important to ensure children and animals are kept away from the assembly area, as there are small components used in this bed frame which could present a choking hazard. All plastic and wrapping materials should also be kept away from children and animals to prevent any risk of suffocation.

## **Help and Support**

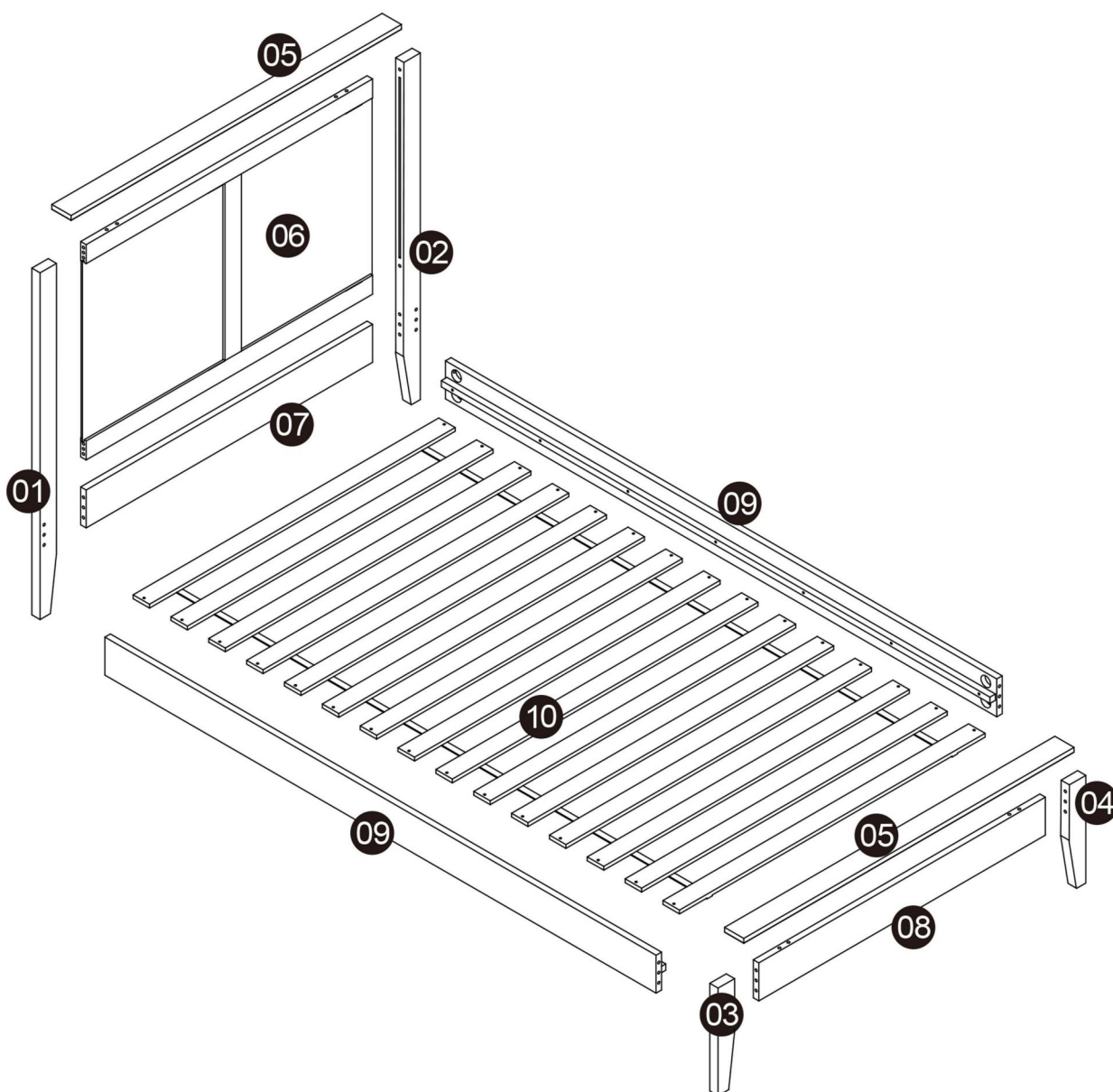
Please contact our customer service team on 0113 519 0311 if you have any questions or issues with your purchase.

## **Recycling**

Please ensure that packaging is disposed of in a safe and environmentally friendly way, and recycle where possible. Please keep your assembly instructions safe to refer back to in the future.

## Parts

Before you begin building your bed frame, please take a moment to read through the instructions and make sure that you have all the relevant parts listed on the parts check list.










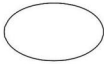



# Parts Check List

No.	Parts List	Qty	Box No	No.	Parts List	Qty	Box No
1	Left Back Leg	1pc	Box 1	6	Back Panel	1pc	Box 1
2	Right Back Leg	1pc	Box 1	7	Headboard	1pc	Box 1
3	Left Front Leg	1pc	Box 1	8	Footboard	1pc	Box 1
4	Right Front Leg	1pc	Box 1	9	Side Rail	2pc	Box 2
5	Top Panel	2pc	Box 1	10	Slat	15pc	Box 1




## Fittings

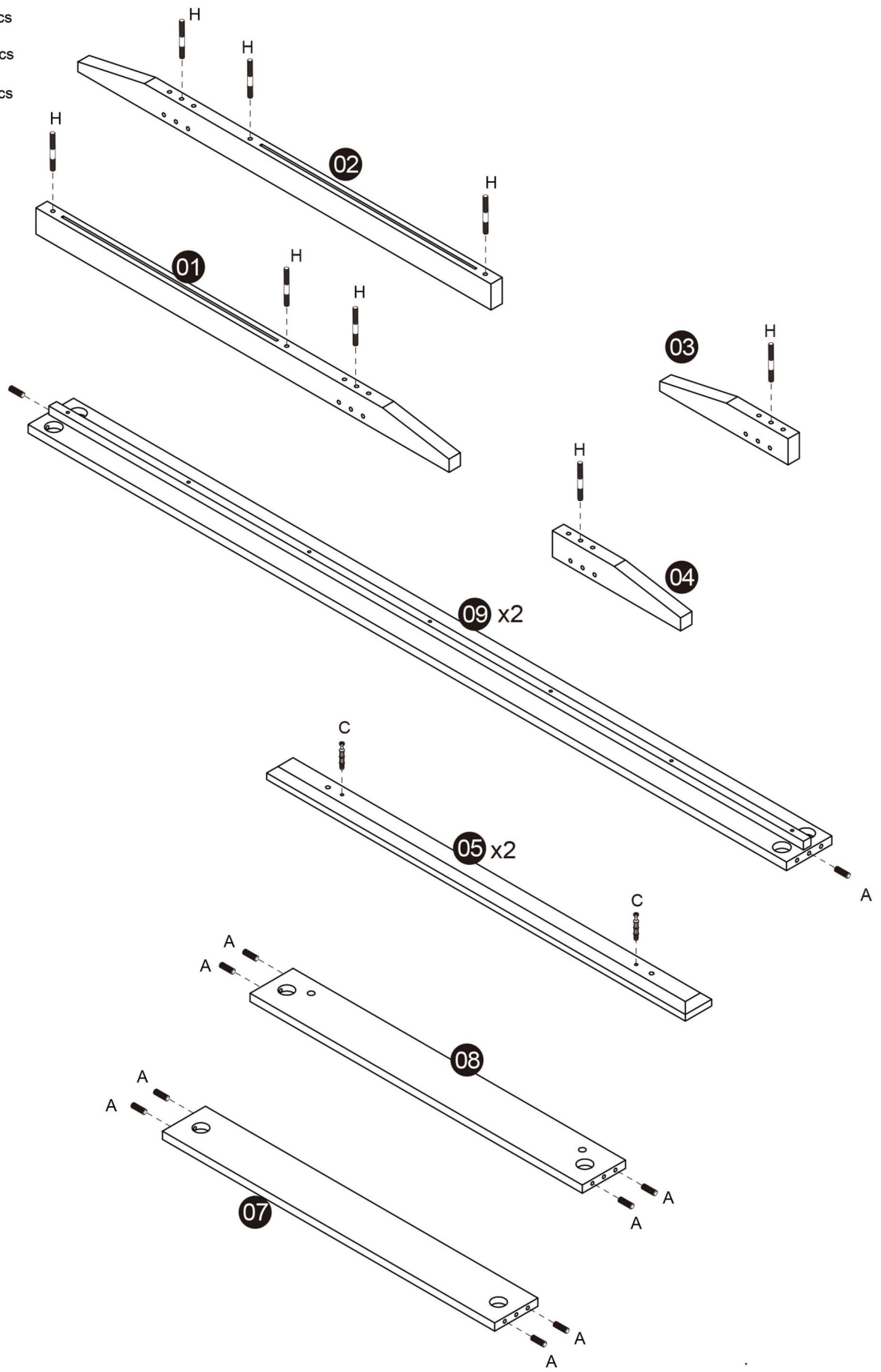
Please check you have all the fittings listed below with your product.

 A M8 30mm Wood Dowel 16pcs	 B M4 30mm Screw 30pcs	 C CAM Lock Dowel 4pcs	 D CAM Lock 4pcs	 E Hex Wrench 1pc
 F Flat Washer 16PCS	 H M8 70mm Threaded Studs 16pcs	 I Hex Nuts 16pcs	 J Curved Washers 16pcs	 L φ45mm Self-Adhesive Screw Hole Stickers 16pcs
 M φ20mm Self-Adhesive Screw Hole Stickers 4pcs				






NB: there are additional spare Fittings included within the Fitting pack

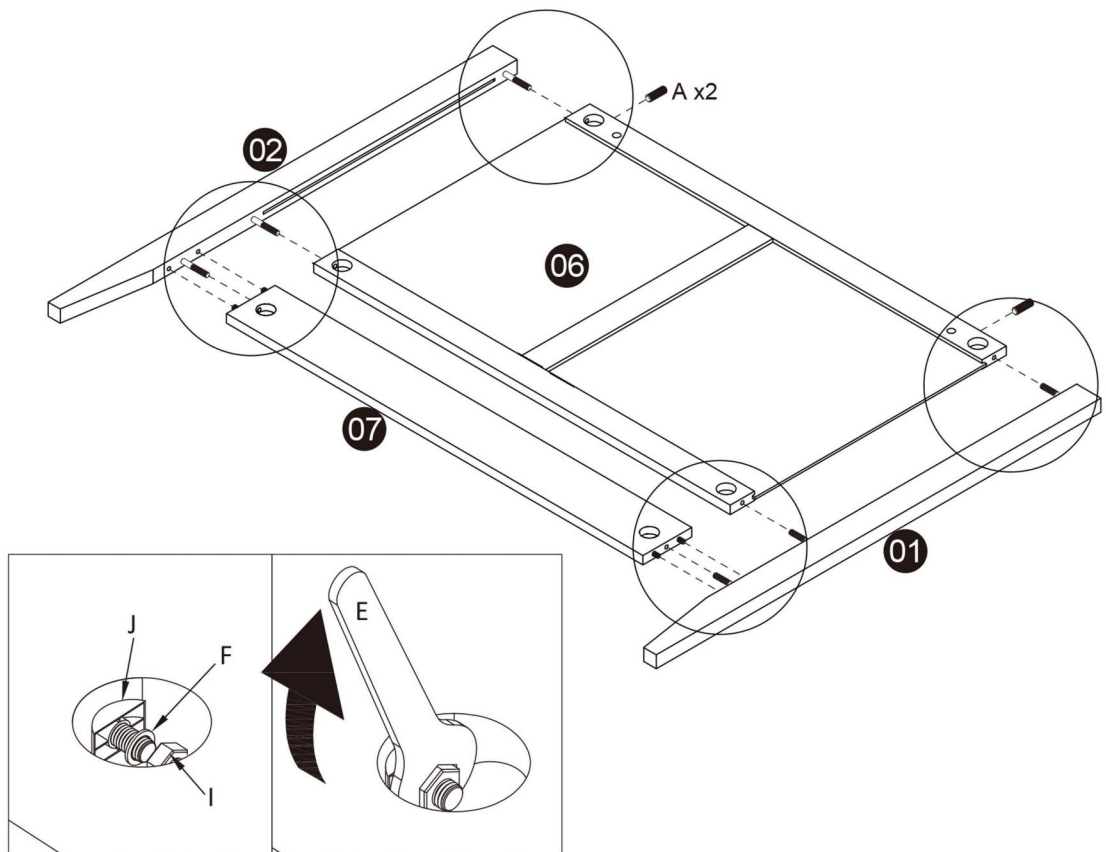
# Step 1: Attach Wood Dowels, CAM Lock Dowels and Threaded Studs.

- A  12 pcs
- C  4 pcs
- H  8 pcs



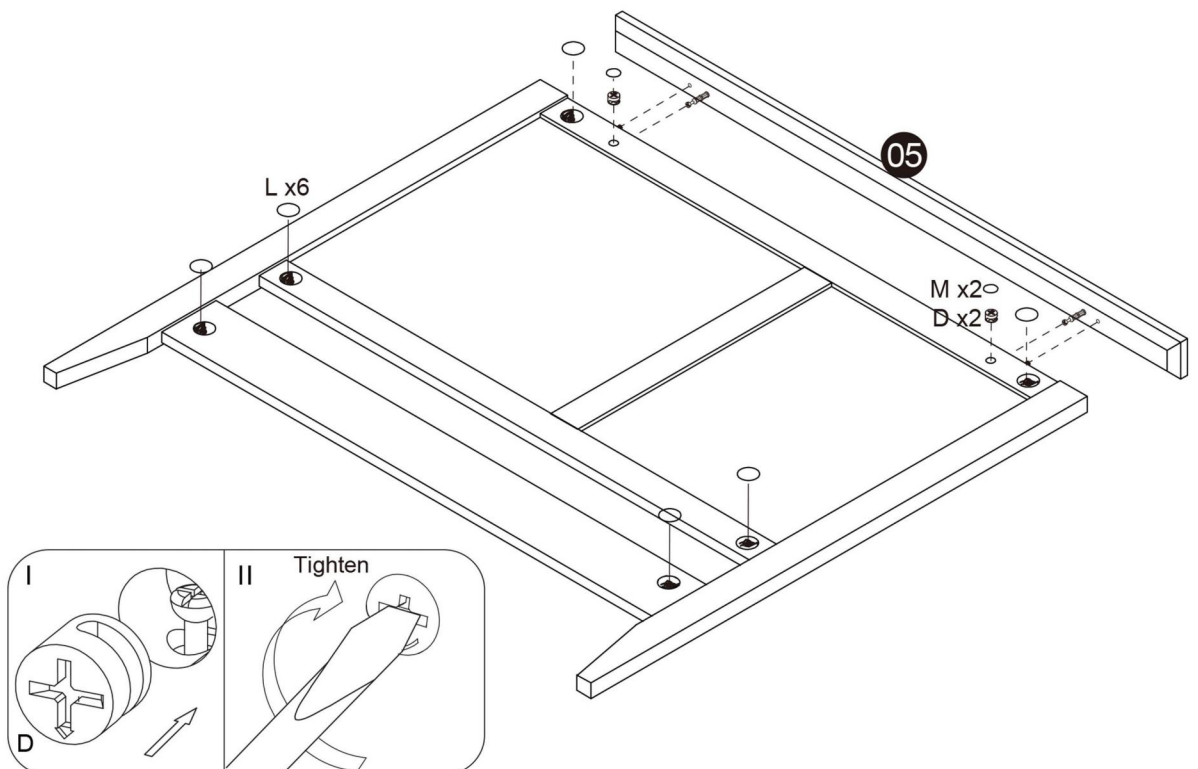
## Step 2: Attach the Back Panel and Headboard to the Legs.

- A  2pcs
- E  1pc
- F  6pc
- I  6pc
- J  6pc








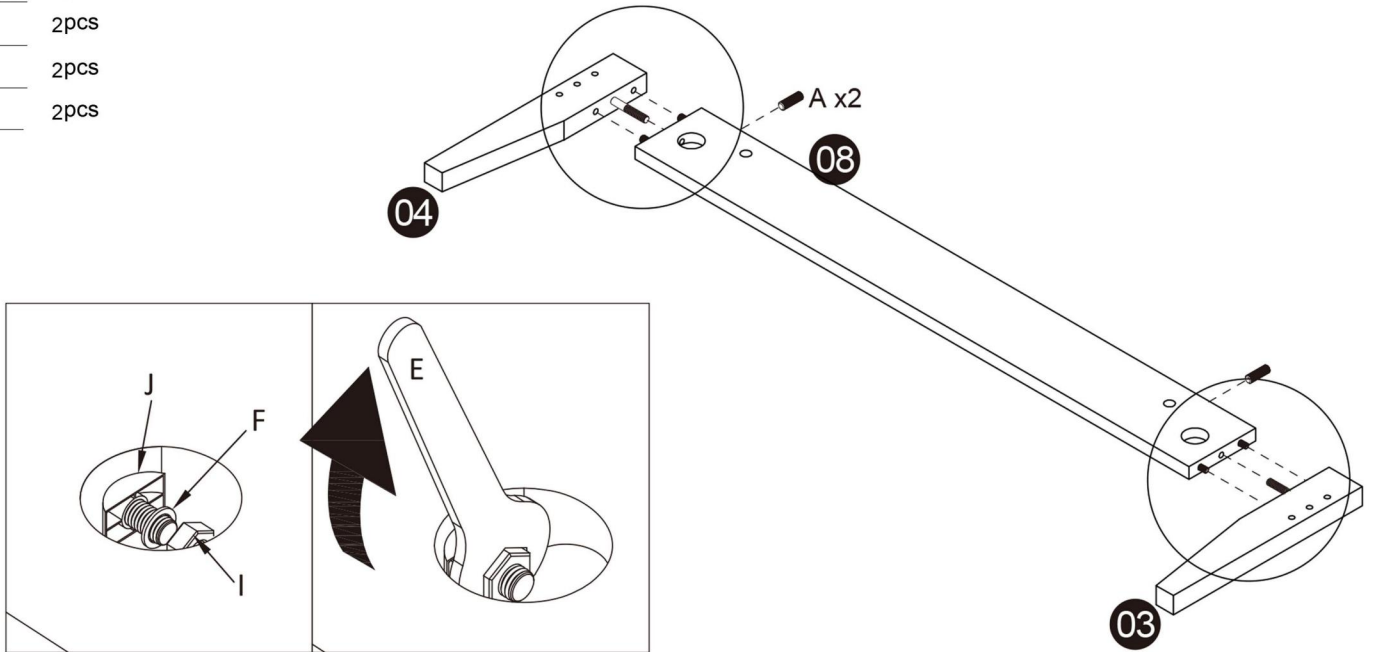
## Step 3: Attach the Top Panel to the Back Panel.

- D  2pcs
- L  6pc
- M  2pcs






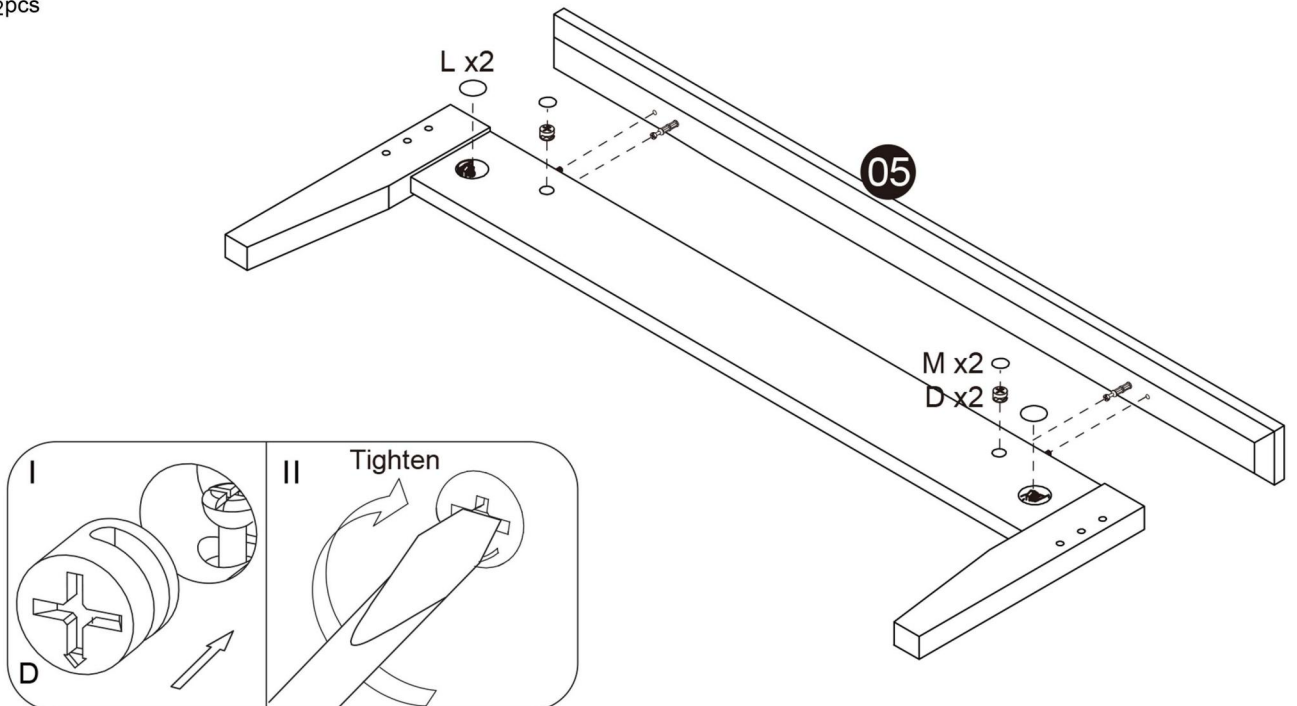
## Step 4: Attach the Legs to the Footboard.

- A  2pcs
- E  1pc
- F  2pcs
- I  2pcs
- J  2pcs



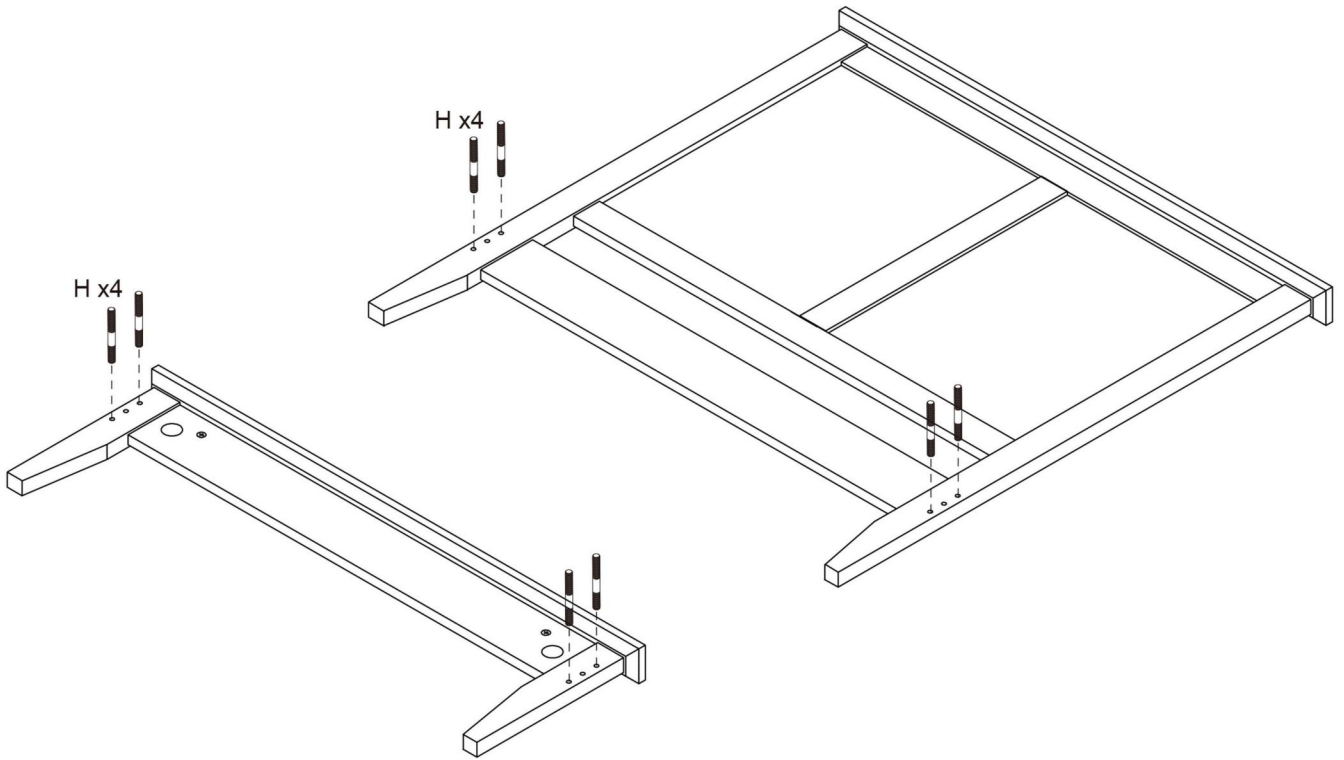
## Step 5: Attach the Top Panel to the Footboard.

- D  2pcs
- L  2pcs
- M  2pcs








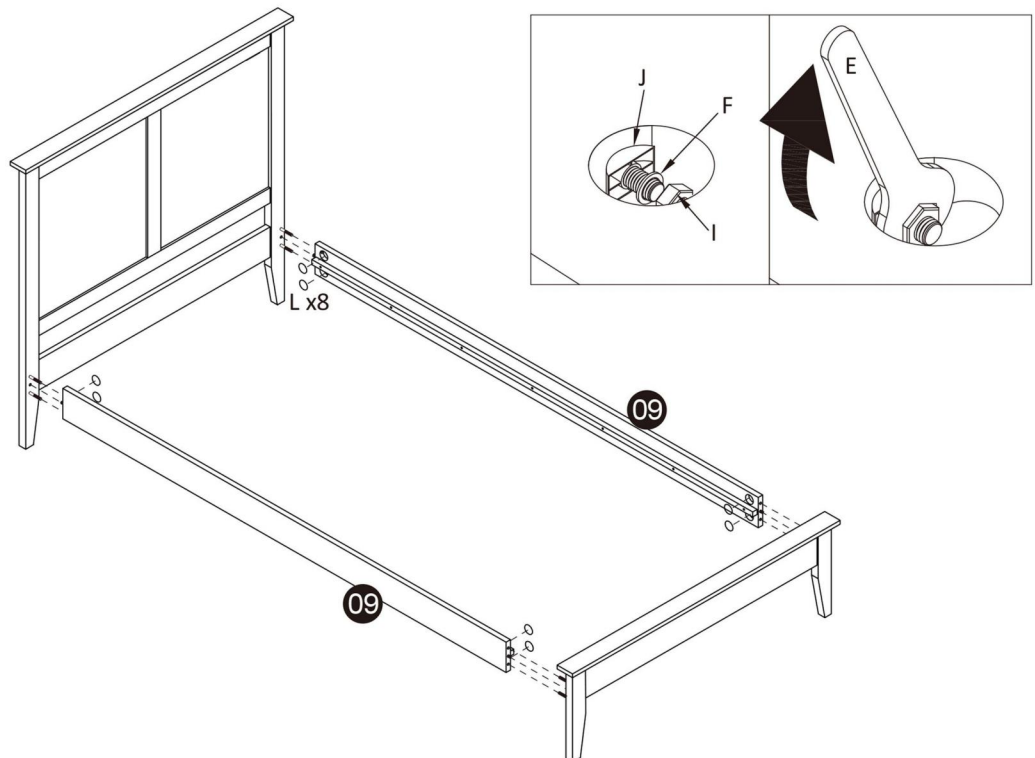
## Step 6: Attach Threaded Studs to Headboard and Footboard.

H  8pcs



## Step 7: Attach the Side Rails to the Headboard and Footboard.

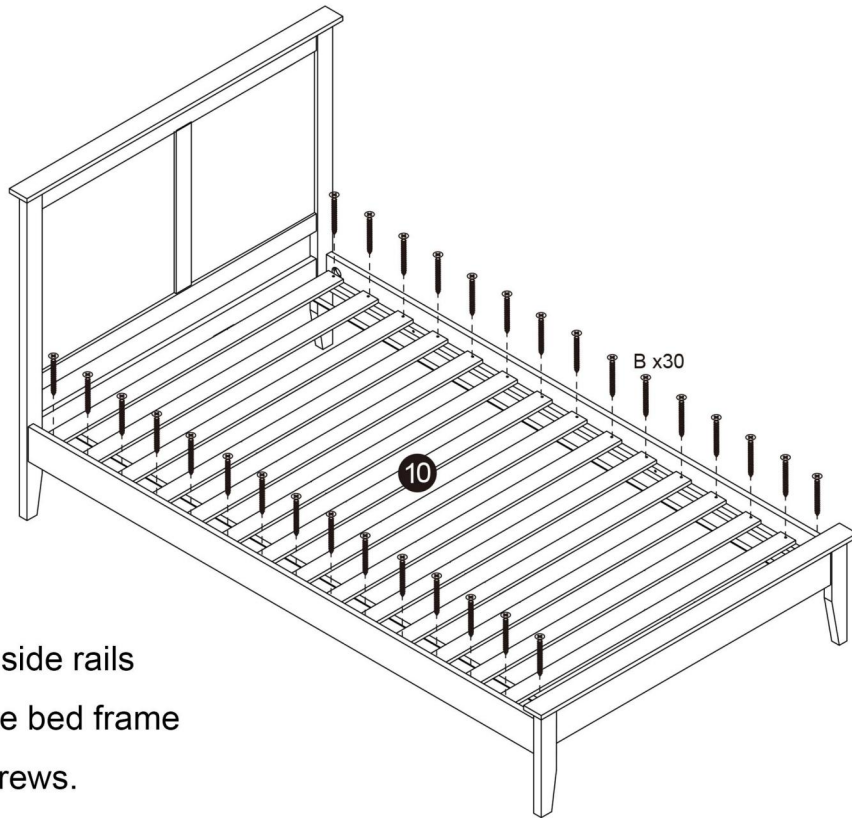
E  1pc  
F  8pcs  
I  8pcs  
J  8pcs  
L  8pcs





## Step 8: Attach the Slats to the Bed Frame.

B  30pcs



Note: Gently push both side rails  
towards the centre of the bed frame  
before tightening the screws.

# **Care and Maintenance**

Here are some good tips to keep your new bed frame in tip-top condition.

## **Cleaning**

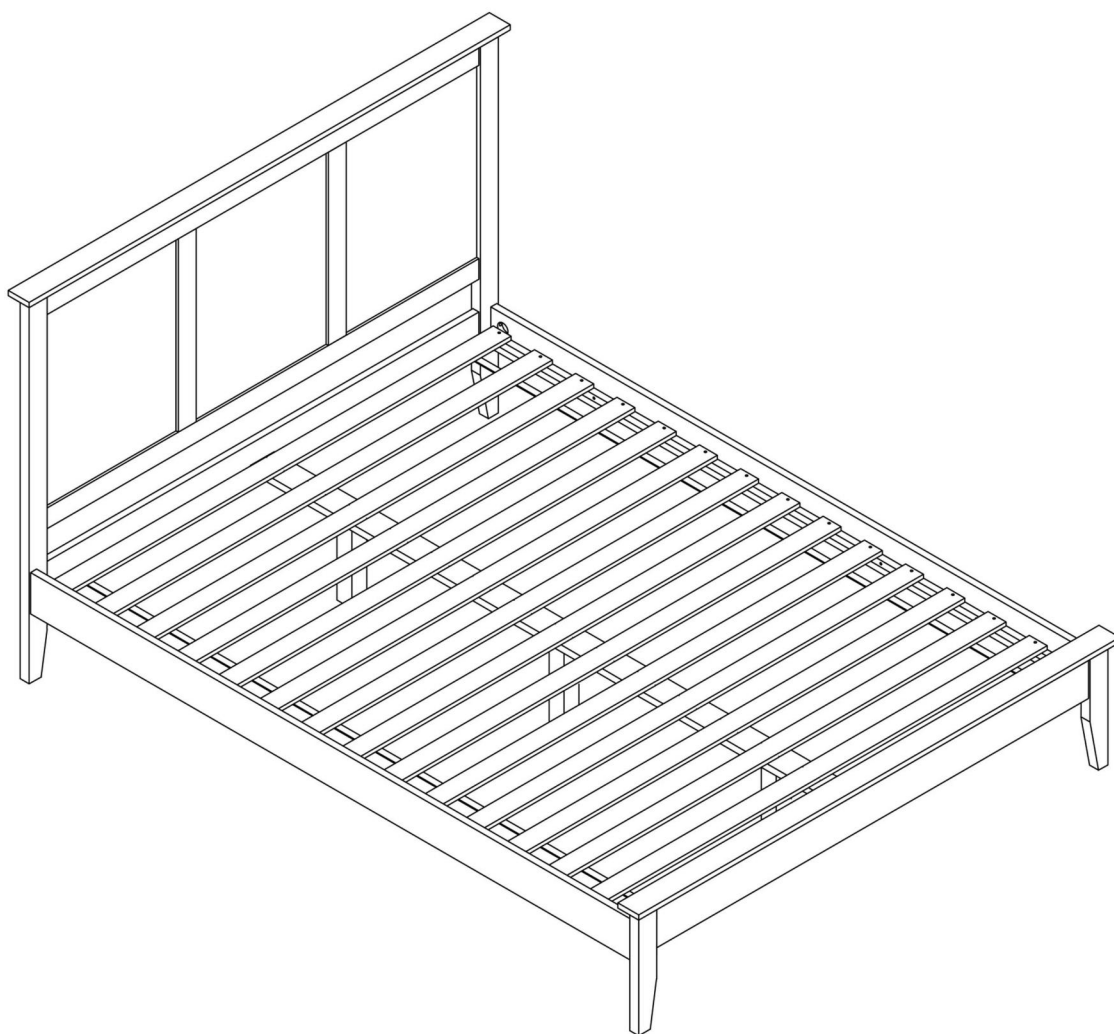
To clean your new bed frame, we advise using a damp cloth if the fabric is dusty or a low suction vacuum. Do not use abrasive chemicals or bleach as this may damage the product.

## **Checking and Moving**

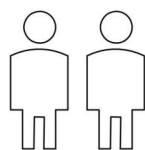
Periodically, we recommend you check that the screws and fixtures haven't become loose over time. To move your bed frame, we recommend lifting it where possible, as dragging or pushing it could cause damage to the legs or flooring.

## Salcombe Bed Frame

Double/King



Up to 2 hours  
assembly time



Two person  
assembly

# **Important**

## **Assembly Tip**

Before you begin, it's best to identify all of the parts and fittings to build your bed frame. We advise laying these out on the floor to check you have everything, and to familiarise yourself with all of the parts and fittings before building.

## **Top Tip**

We recommend that you build your new bed frame in the room you'd like it to be located. This will help prevent any risk of damage to the frame whilst moving it.

## **Safety and Care**

It's important to ensure children and animals are kept away from the assembly area, as there are small components used in this bed frame which could present a choking hazard. All plastic and wrapping materials should also be kept away from children and animals to prevent any risk of suffocation.

## **Help and Support**

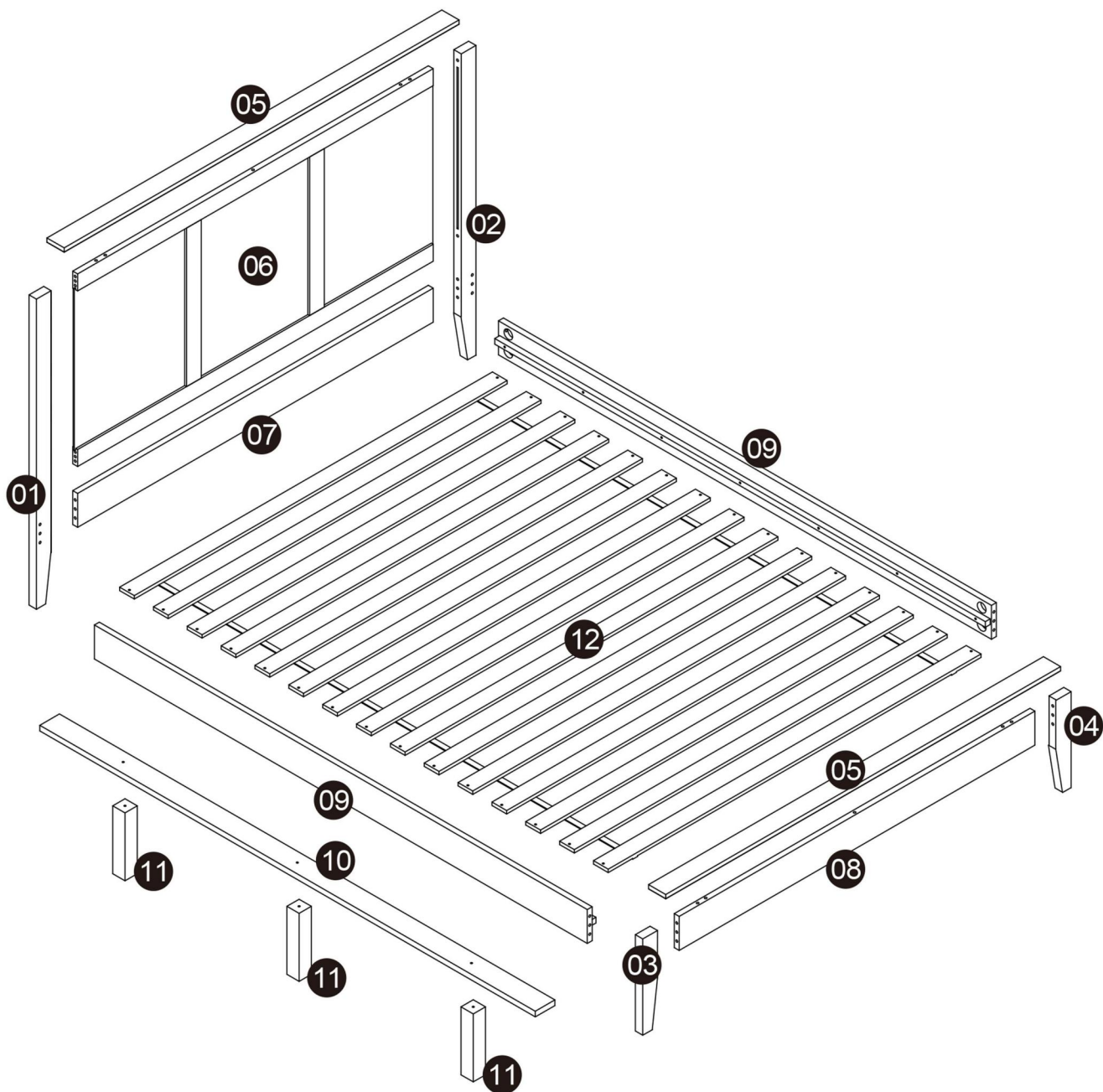
Please contact our customer service team on 0113 519 0311 if you have any questions or issues with your purchase.

## **Recycling**

Please ensure that packaging is disposed of in a safe and environmentally friendly way, and recycle where possible. Please keep your assembly instructions safe to refer back to in the future.

## Parts

Before you begin building your bed frame, please take a moment to read through the instructions and make sure that you have all the relevant parts listed on the parts check list.



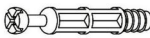








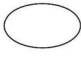

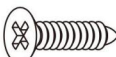



# Parts Check List

No.	Parts List	Qty	Box No	No.	Parts List	Qty	Box No
1	Left Back Leg	1pc	Box 1	7	Headboard	1pc	Box 1
2	Right Back Leg	1pc	Box 1	8	Footboard	1pc	Box 1
3	Left Front Leg	1pc	Box 1	9	Side Rail	2pc	Box 2
4	Right Front Leg	1pc	Box 1	10	Central Support Rail	1pc	Box 2
5	Top Panel	2pc	Box 1	11	Central Support Leg	3pc	Box 1
6	Back Panel	1pc	Box 1	12	Slat	15pc	Box 1




## Fittings

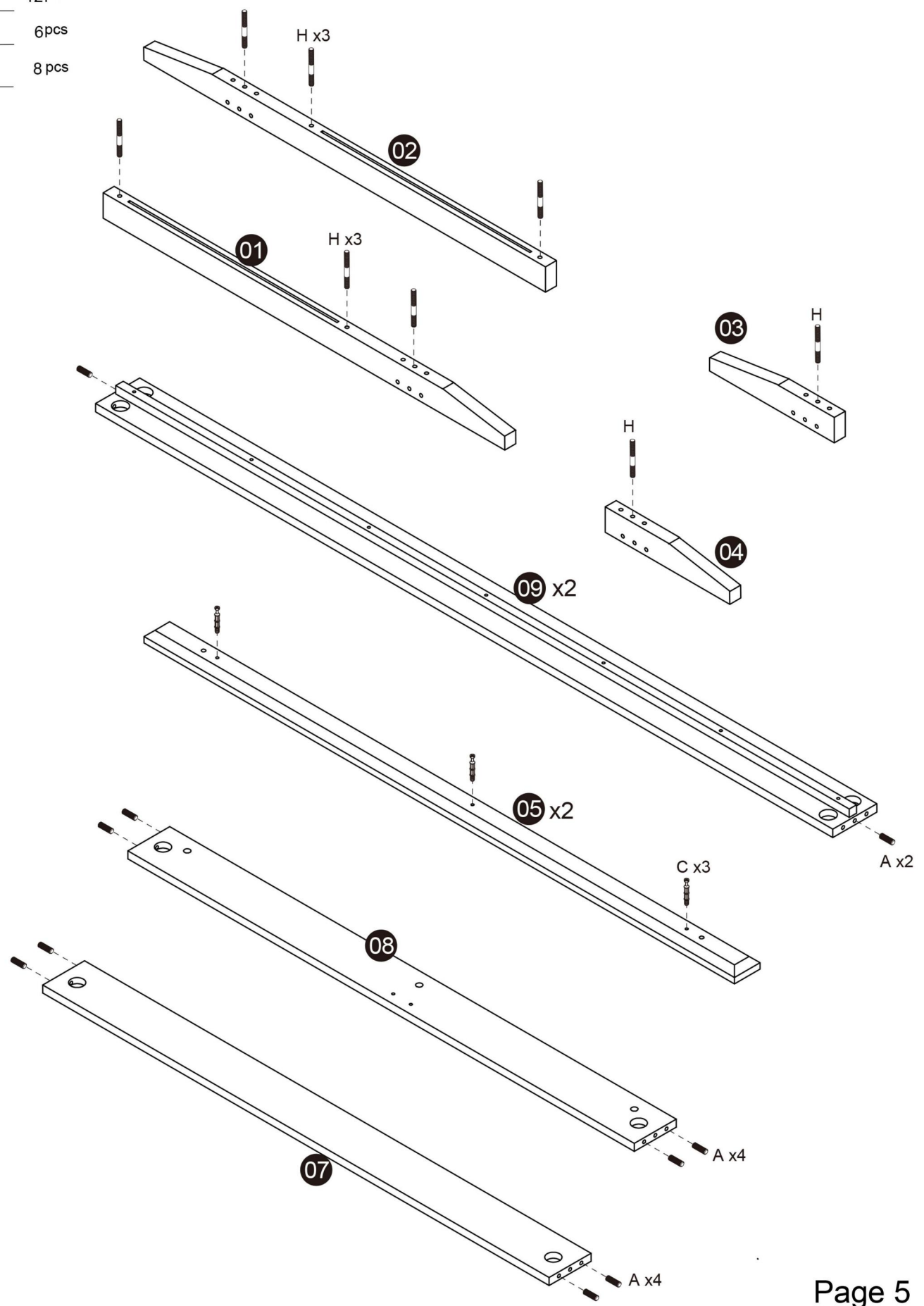
Please check you have all the fittings listed below with your product.

 A M8 30mm Wood Dowel 16pcs	 B M4 30mm Screw 30pcs	 C CAM Lock Dowel 6pcs	 D CAM Lock 6pcs	 E Hex Wrench 1pc
 F Flat Washer 16PCS	 H M8 70mm Threaded Studs 16pcs	 I Hex Nuts 16pcs	 J Curved Washers 16pcs	 K M7 50mm Flat Head Screw 3pcs
 L φ45mm Self-Adhesive Screw Hole Stickers 16pcs	 M φ20mm Self-Adhesive Screw Hole Stickers 6pcs	 N L Bracket Corner Brace 2pcs	 P M3 16mm Screw 8pcs	 G M6 Allen Key 1pc






NB: there are additional spare Fittings included within the Fitting pack

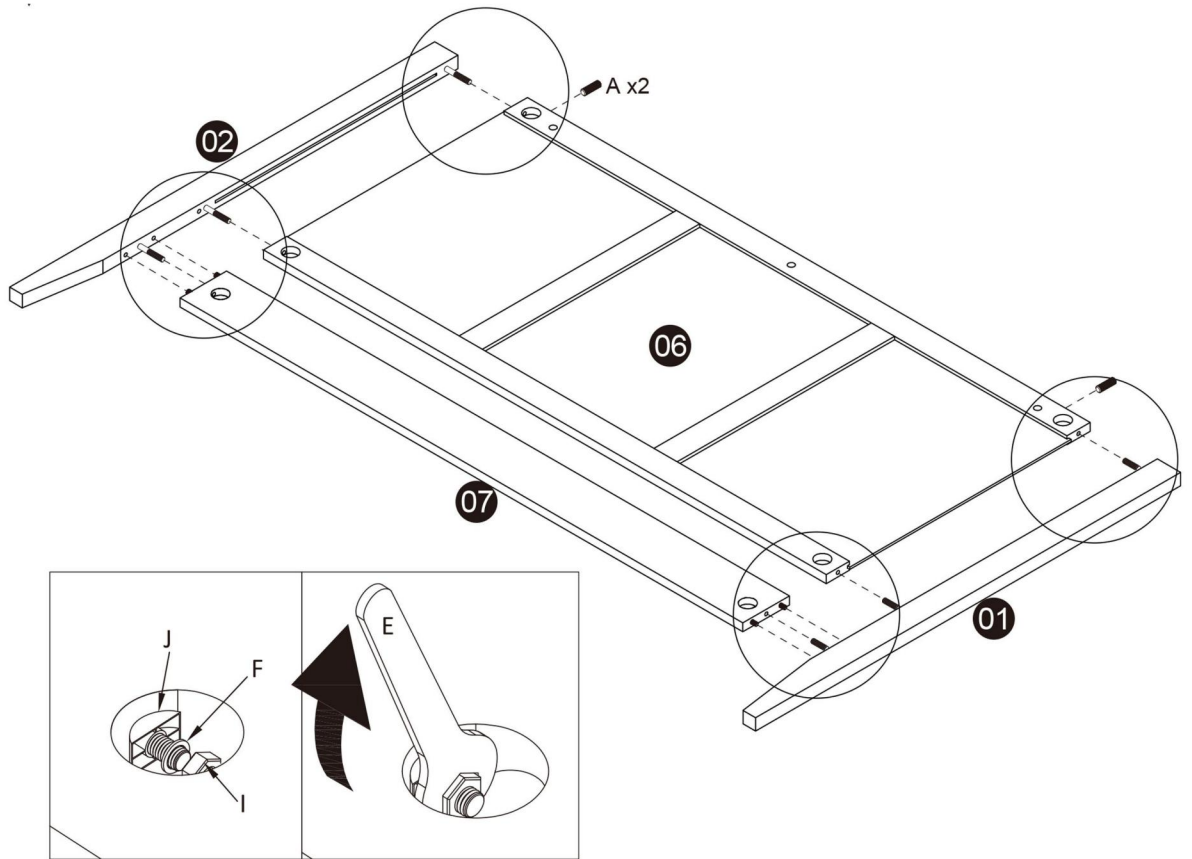
# Step 1: Attach Wood Dowels, CAM Lock Dowels and Threaded Studs.

- A  12 pcs
- C  6 pcs
- H  8 pcs






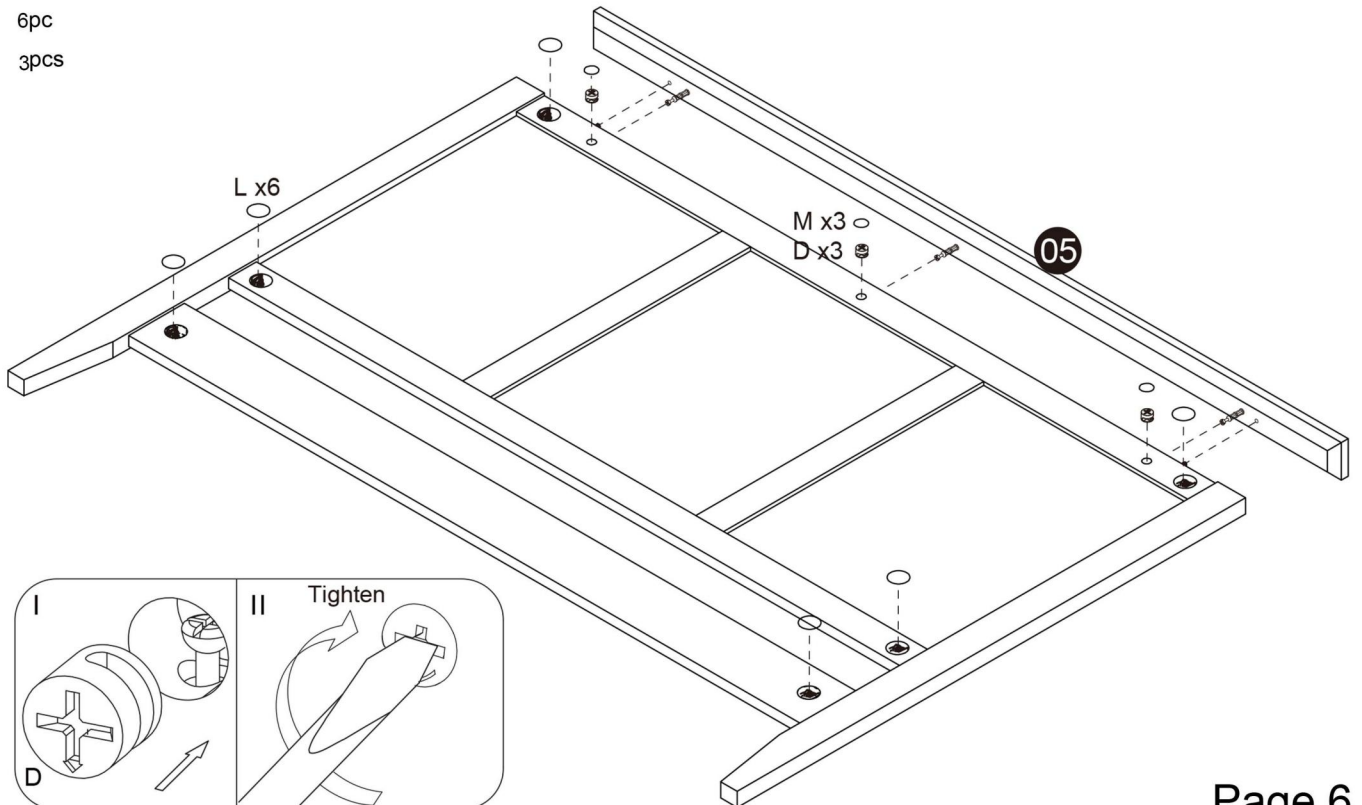
## Step 2: Attach the Back Panel and Headboard to the Legs.

- A  2pcs
- E  1pc
- F  6pc
- I  6pc
- J  6pc








## Step 3: Attach the Top Panel to the Back Panel.

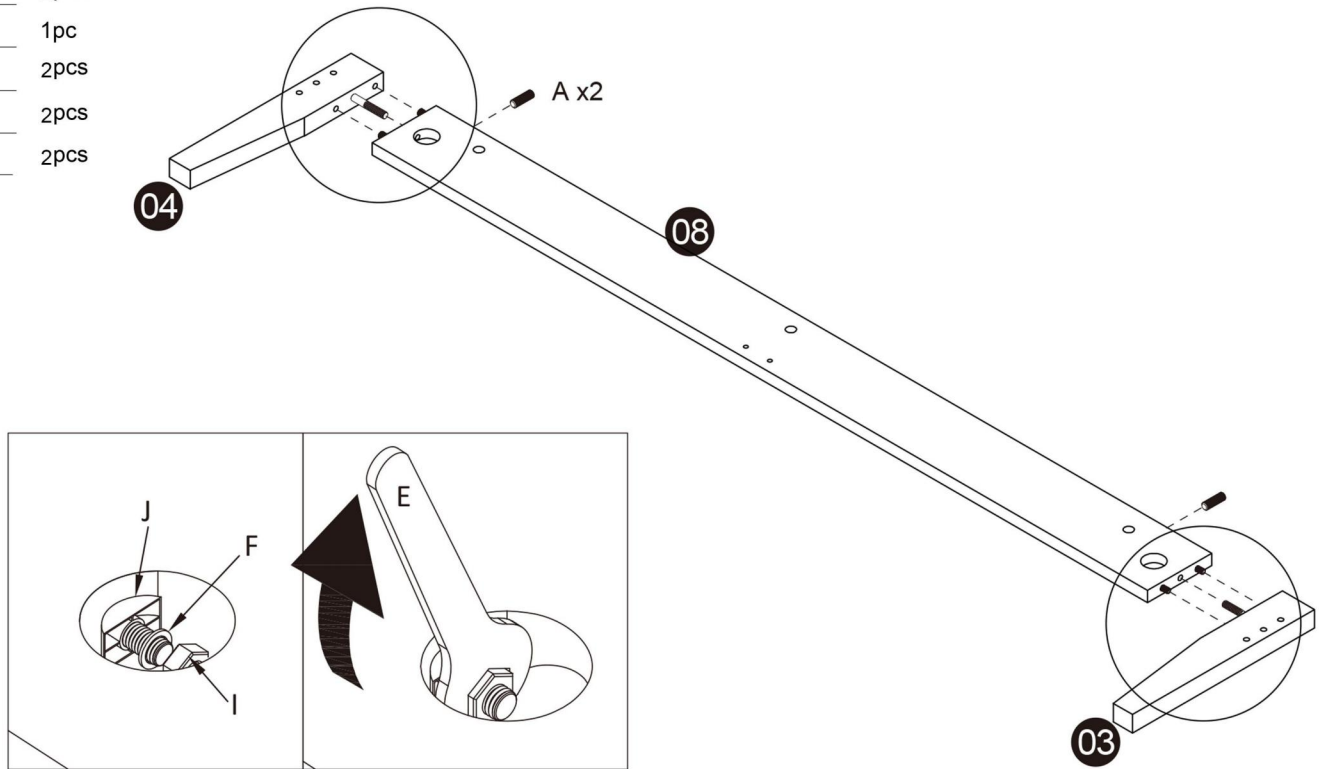
- D  3pcs
- L  6pc
- M  3pcs








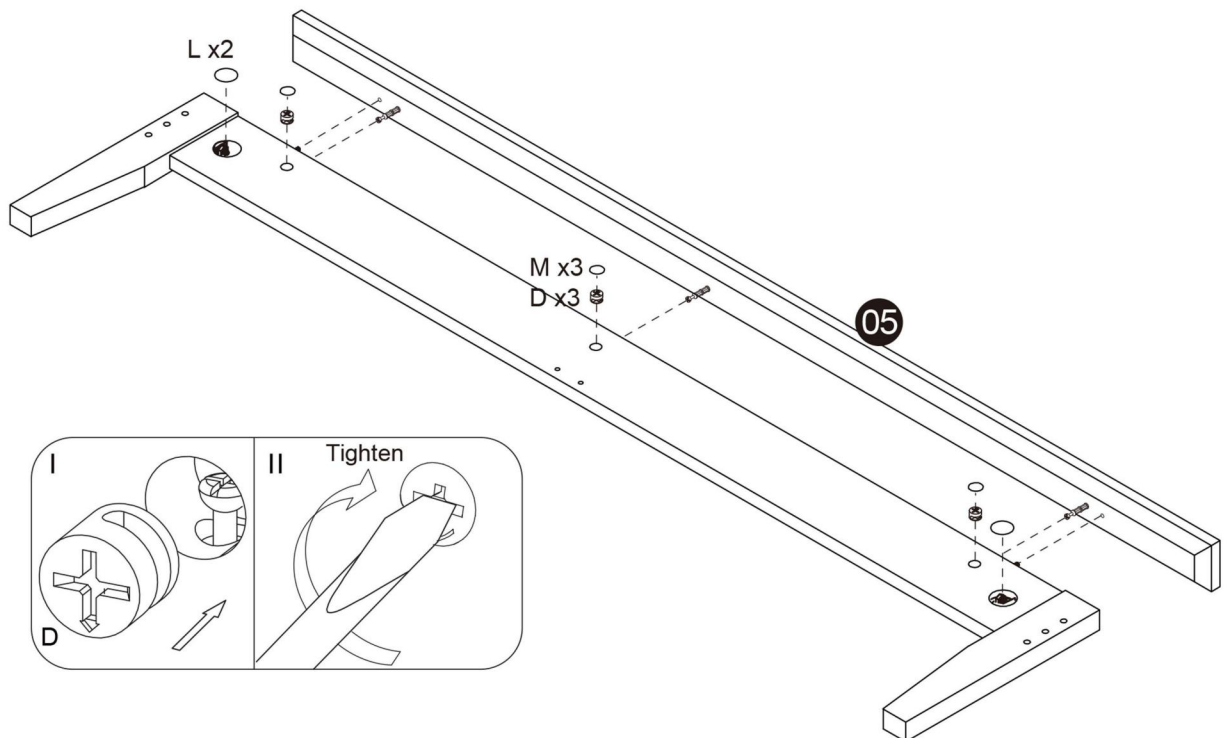
## Step 4: Attach the Legs to the Footboard.

- A  2pcs
- E  1pc
- F  2pcs
- I  2pcs
- J  2pcs



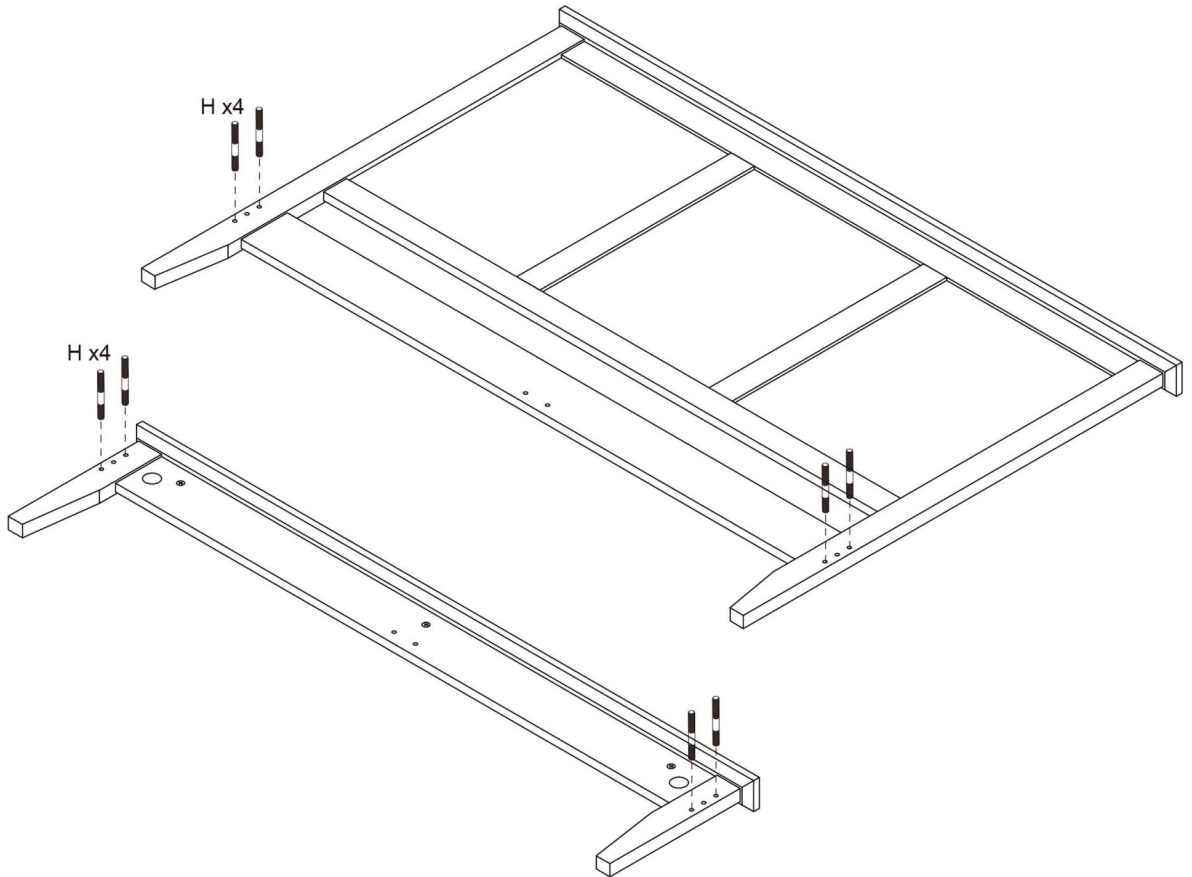
## Step 5: Attach the Top Panel to the Footboard.

- D  3pcs
- L  2pcs
- M  3pcs







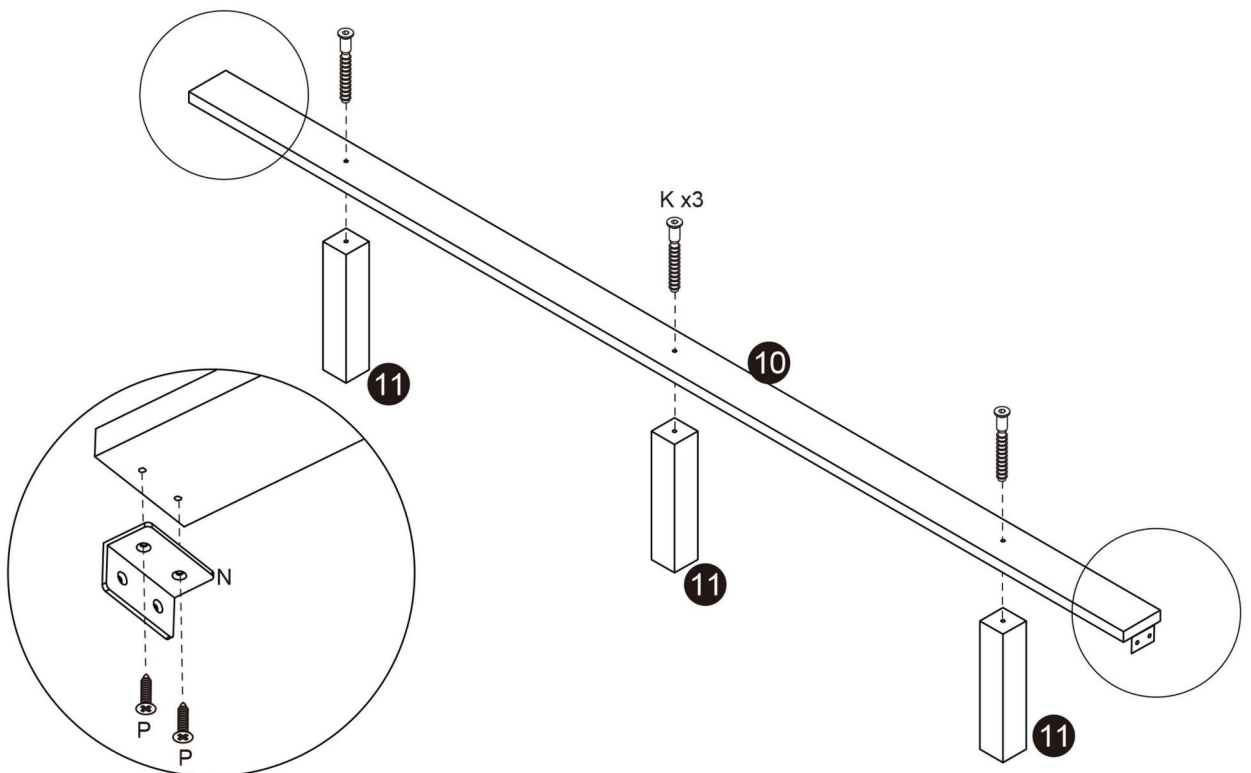
## Step 6: Attach Threaded Studs to Headboard and Footboard.

H  8pcs






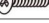


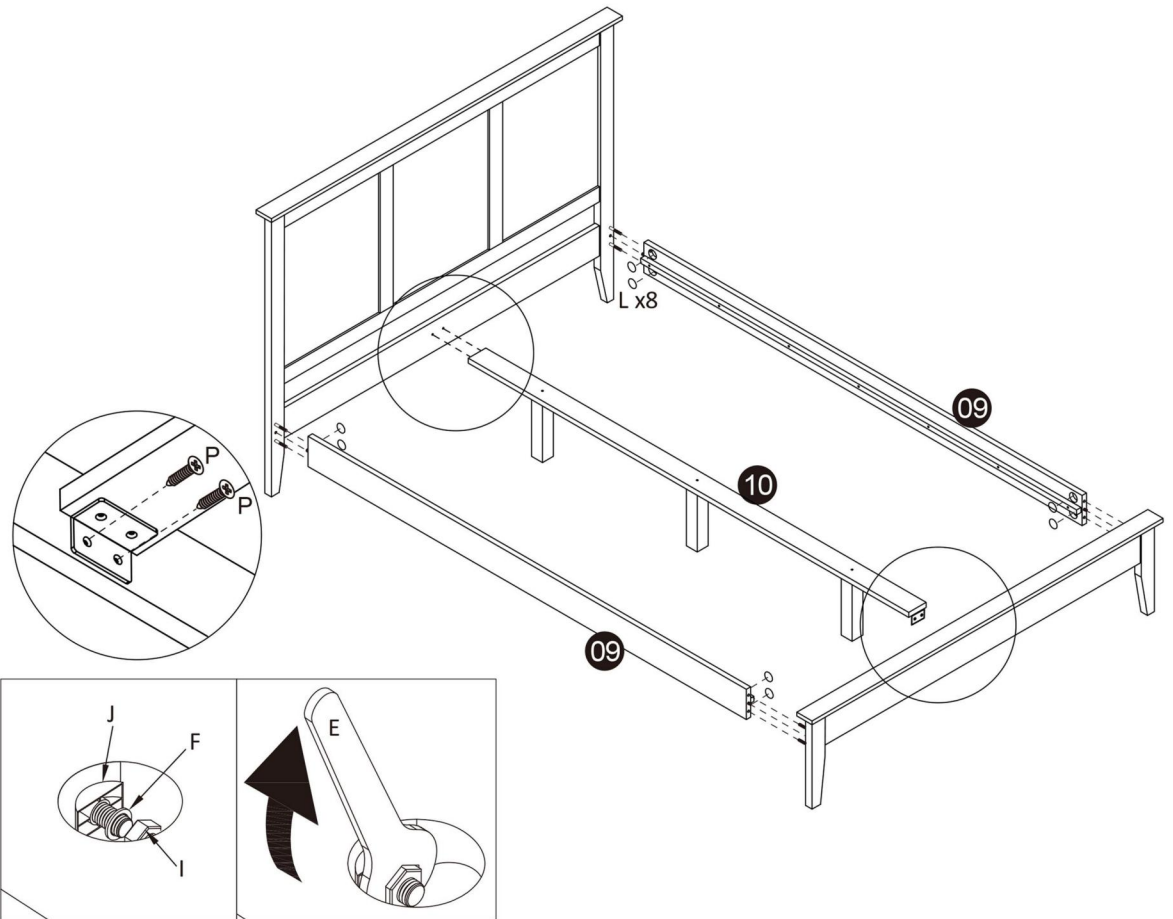
## Step 7: Attach the Central Support Legs and Corner Brackets to the Central Support Rail.

G  1pc  
K  3pcs  
N  2pcs  
P  4pcs



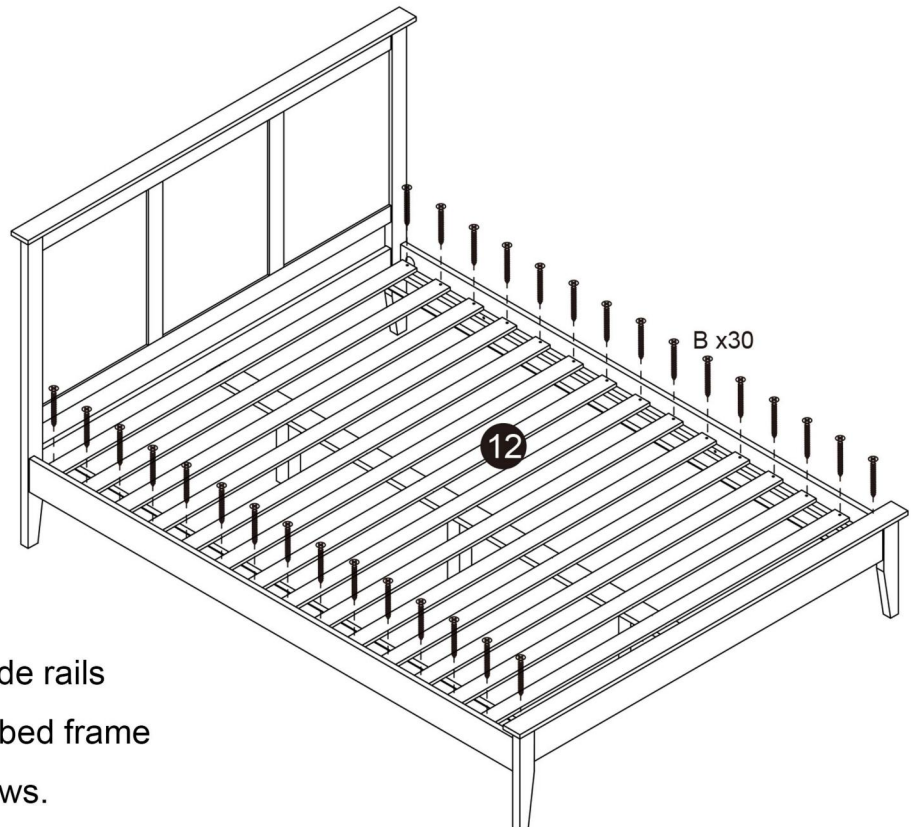
## Step 8: Attach the Side Rails and Central Support Rail to the Headboard and Footboard.

- E  1pc
- F  8pcs
- I  8pcs
- J  8pcs
- L  8pcs
- P  4pcs



## Step 9: Attach the Slats to the Bed Frame.

- B  30pcs



Note: Gently push both side rails towards the centre of the bed frame before tightening the screws.

# **Care and Maintenance**

Here are some good tips to keep your new bed frame in tip-top condition.

## **Cleaning**

To clean your new bed frame, we advise using a damp cloth if the fabric is dusty or a low suction vacuum. Do not use abrasive chemicals or bleach as this may damage the product.

## **Checking and Moving**

Periodically, we recommend you check that the screws and fixtures haven't become loose over time. To move your bed frame, we recommend lifting it where possible, as dragging or pushing it could cause damage to the legs or flooring.