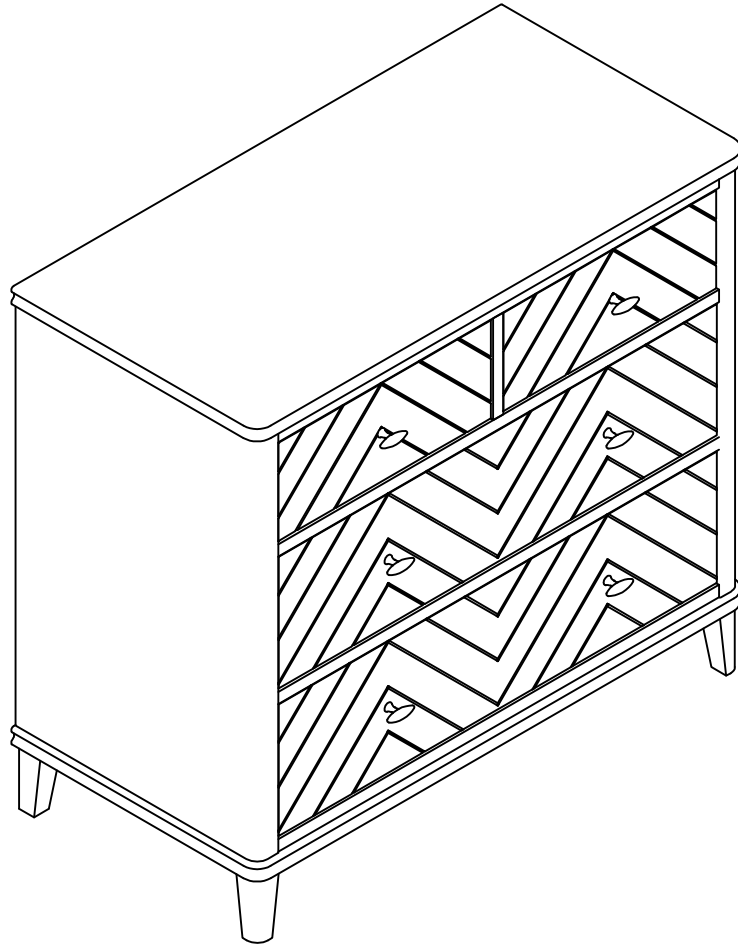
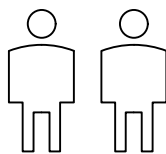


## Stockholm Chest Of Drawers



Up to 50 minutes  
assembly time



Two person  
assembly

V1.0

## IMPORTANT

### ASSEMBLY TIP

Before you begin, it's best to identify all of the parts and fittings to build your Stockholm Chest Of Drawers frame. We advise laying these out on the floor to check you have everything, and to familiarise yourself with all of the parts and fittings before building.

### TOP TIP

We recommend that you assemble the Stockholm Chest Of Drawers in the room you'd like it to be located. This will help prevent any risk of damage to the frame whilst moving it.

## SAFETY AND CARE

It's important to ensure children and animals are kept away from the assembly area, as there are small components used in this product which could present a choking hazard. All plastic and wrapping materials should also be kept away from children and animals to prevent any risk of suffocation.

## HELP AND SUPPORT

Please contact our customer service team on 0113 519 0311 if you have any questions or issues with your purchase.

## RECYCLING

Please ensure that packaging is disposed of in a safe and environmentally friendly way, and recycle where possible. Please keep your assembly instructions safe to refer back to in the future.

## CARE AND MAINTENANCE:

1. Only clean using a damp cloth, do not use bleach or abrasive cleaners as they may damage the finish over time.
2. Do not use a very wet cloth or allow any liquid to contact with the veneer for a long period of time. Wipe any spillage immediately. Absorption can cause wood to warp or finishes to de-laminate.
3. Do not scrub or rub the surface when cleaning.
4. Do not drag the Stockholm Chest Of Drawers when moving, lift it off the floor instead.
5. Use a placemat or a coaster when putting hot items (e.g. hot drinks and dishes) on the wood surface.
6. It is not recommended to place the item next to sources of heat such as radiators, fires or directly exposed to sunlight. This may cause the wood to crack, split or fade due to the heat and humidity.
7. Wood will mellow and change colour over time, we recommend that ornaments and items placed on the surface to be moved regularly to prevent uneven mellowing.
8. Regularly check all fixings to ensure none have come loose. Re-tighten if necessary.
9. Avoid sharp items such as a screwdriver or any pointy tools.
10. Dispose of all packaging carefully and responsibly - recycle where possible.

## Parts list




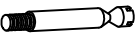









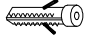
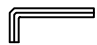
Before you begin building your Chest, please take a moment to read through the instructions and make sure that you have all the relevant parts listed on the parts check list.

Part Number	Part Description	Quantity
①	Top Panel	1pc
②	Left Side Panel	1pc
③	Right Side Panel	1pc
④	Bottom Panel	1pc
⑤	Top Support Rail	1pc
⑥	Bottom Support Rail	1pc
⑦	Middle Panel	1pc
⑧	Back Rail	1pc
⑨	Back Panel	2pcs
⑩	Front Leg	2pcs
⑪	Back Leg	2pcs

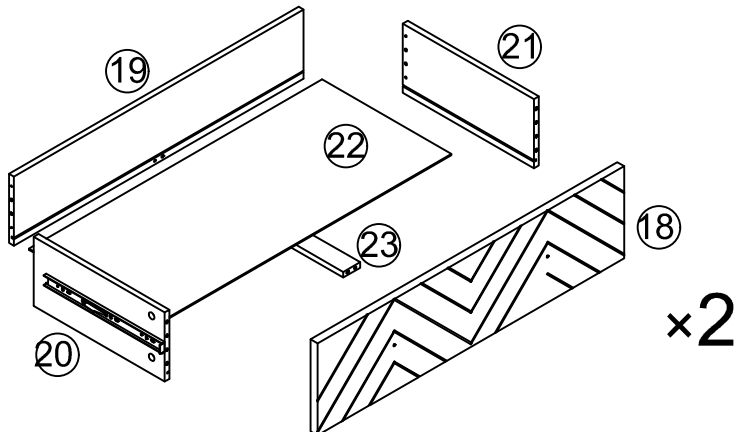
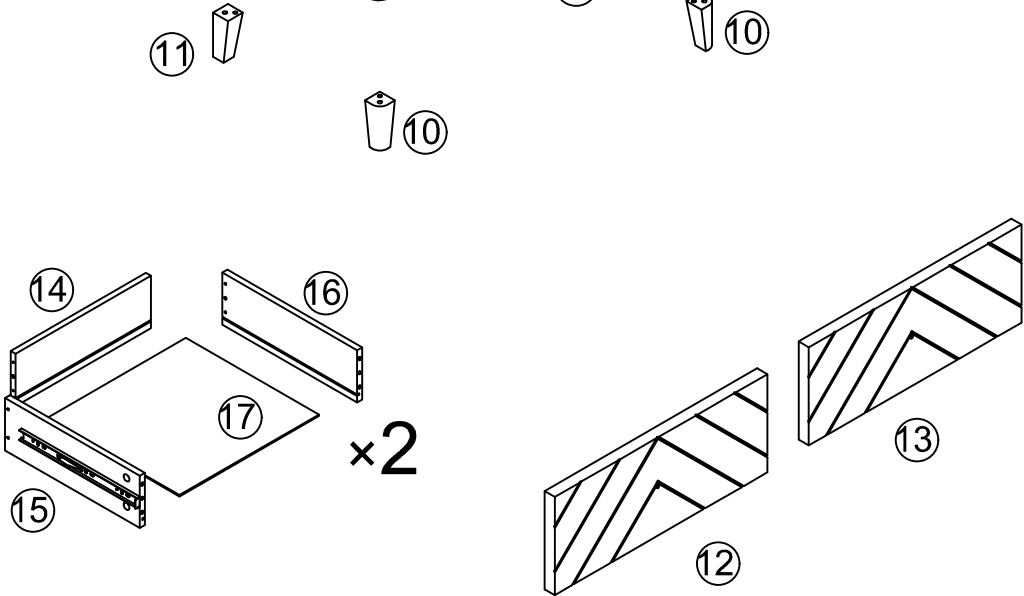
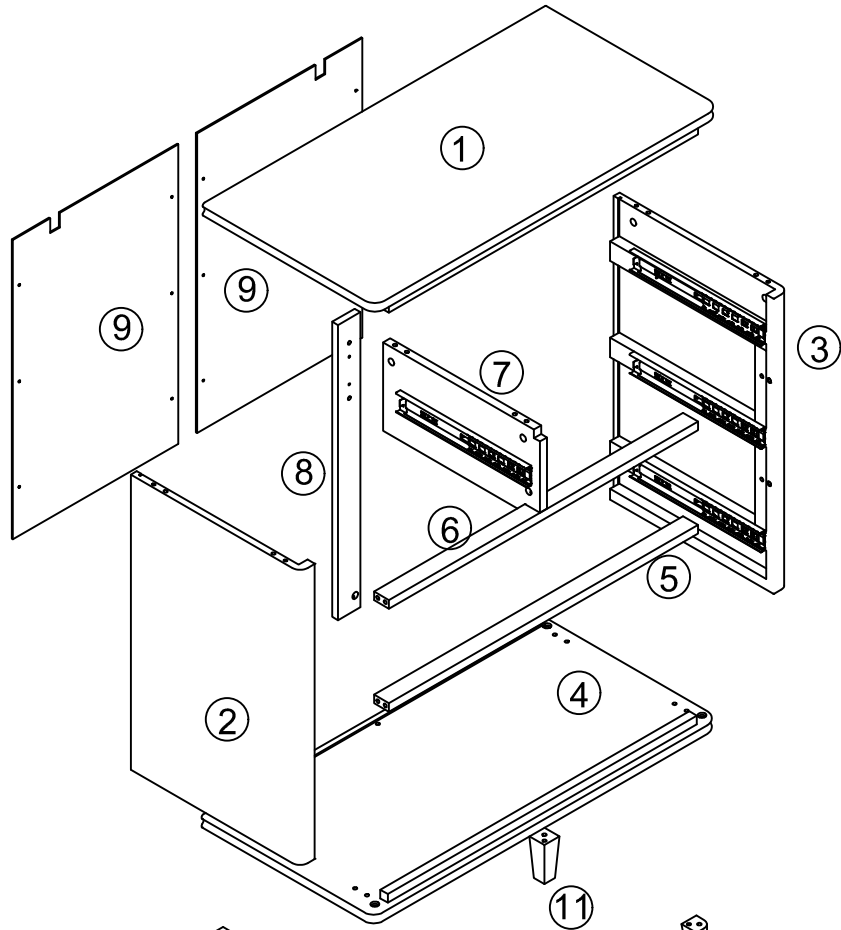
Part Number	Part Description	Quantity
⑫	Left Top Drawer Front	1pc
⑬	Right Top Drawer Front	1pc
⑭	Top Drawer Back Side	2pcs
⑮	Top Drawer Left Side	2pcs
⑯	Top Drawer Right Side	2pcs
⑰	Top Drawer Bottom	2pcs
⑱	Bottom Drawer Front	2pcs
⑲	Bottom Drawer Back	2pcs
⑳	Bottom Drawer Left Side	2pcs
㉑	Bottom Drawer Right Side	2pcs
㉒	Bottom Drawer Bottom	2pcs
㉓	Bottom Drawer Support	2pcs

## Fittings

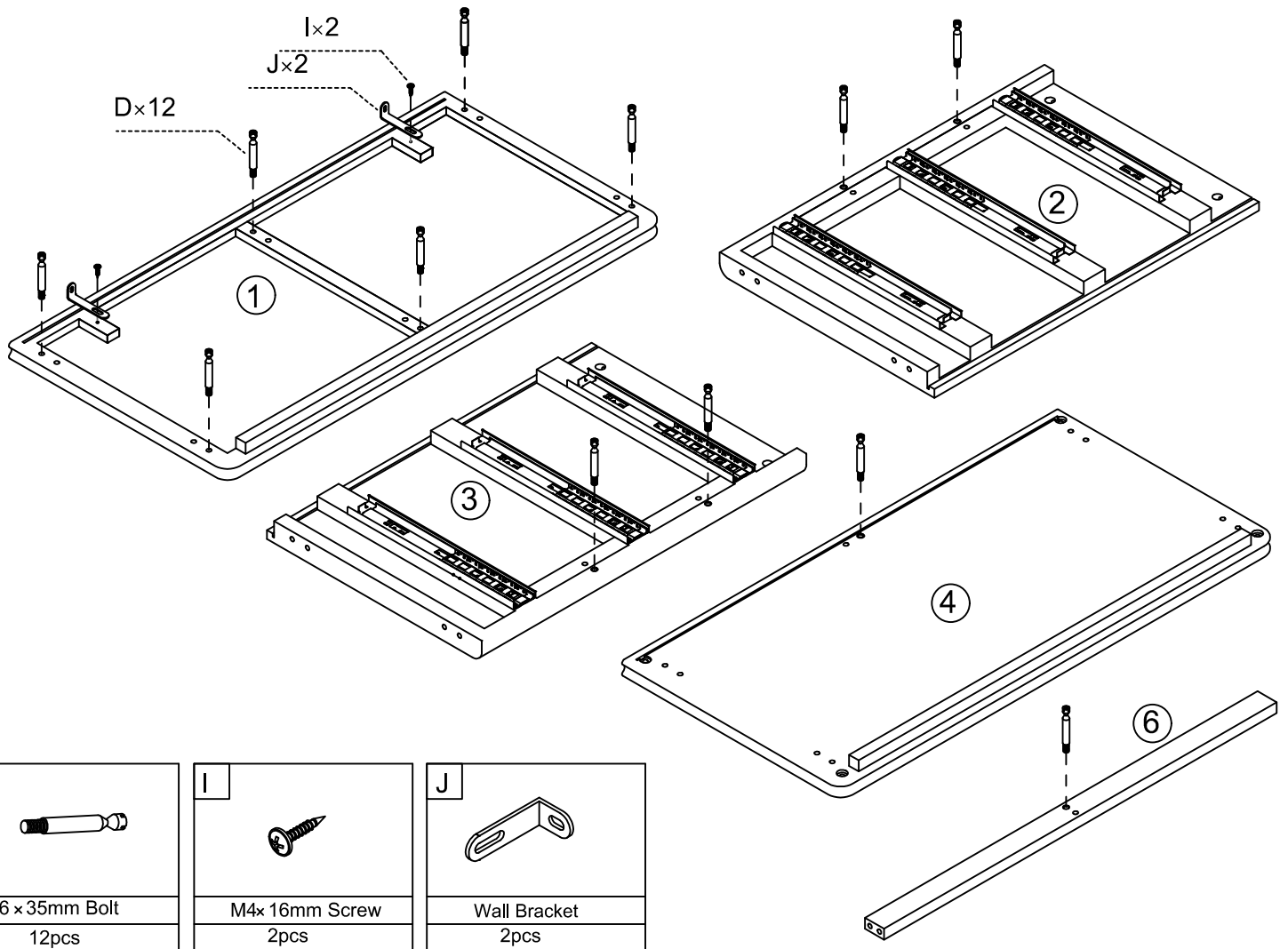
Please check you have all the fittings listed below with your product.

<p><b>A</b></p>  <p>M6x40mm Bolt 8pcs +1pc extra</p>	<p><b>B</b></p>  <p>Ø6 Flat Washer 4pcs</p>	<p><b>C</b></p>  <p>Ø6 Spring Washer 4pcs</p>	<p><b>D</b></p>  <p>M6x35mm Bolt 30pcs+2pcs extra</p>	<p><b>E</b></p>  <p>Ø15x9.5mm Cam Lock 30pcs+2pcs extra</p>
<p><b>F</b></p>  <p>Cover 16pcs+1pc extra</p>	<p><b>G</b></p>  <p>Ø8x30mm Dowel 22pcs+2pcs extra</p>	<p><b>H</b></p>  <p>Ø6x30mm Dowel 28pcs+2pcs extra</p>	<p><b>I</b></p>  <p>M4x16mm Screw 14pcs+1pc extra</p>	<p><b>J</b></p>  <p>Wall Bracket 2pcs</p>
<p><b>K</b></p>  <p>M4x35mm Screw 22pcs+2pcs extra</p>	<p><b>L</b></p>  <p>M4x25mm Bolt 6pcs</p>	<p><b>M</b></p>  <p>Handle 6pcs</p>	<p><b>N</b></p>  <p>Ø6 x 30mm Wall Plug 2pcs</p>	<p><b>O</b></p>  <p>M4 Allen key 1pc</p>

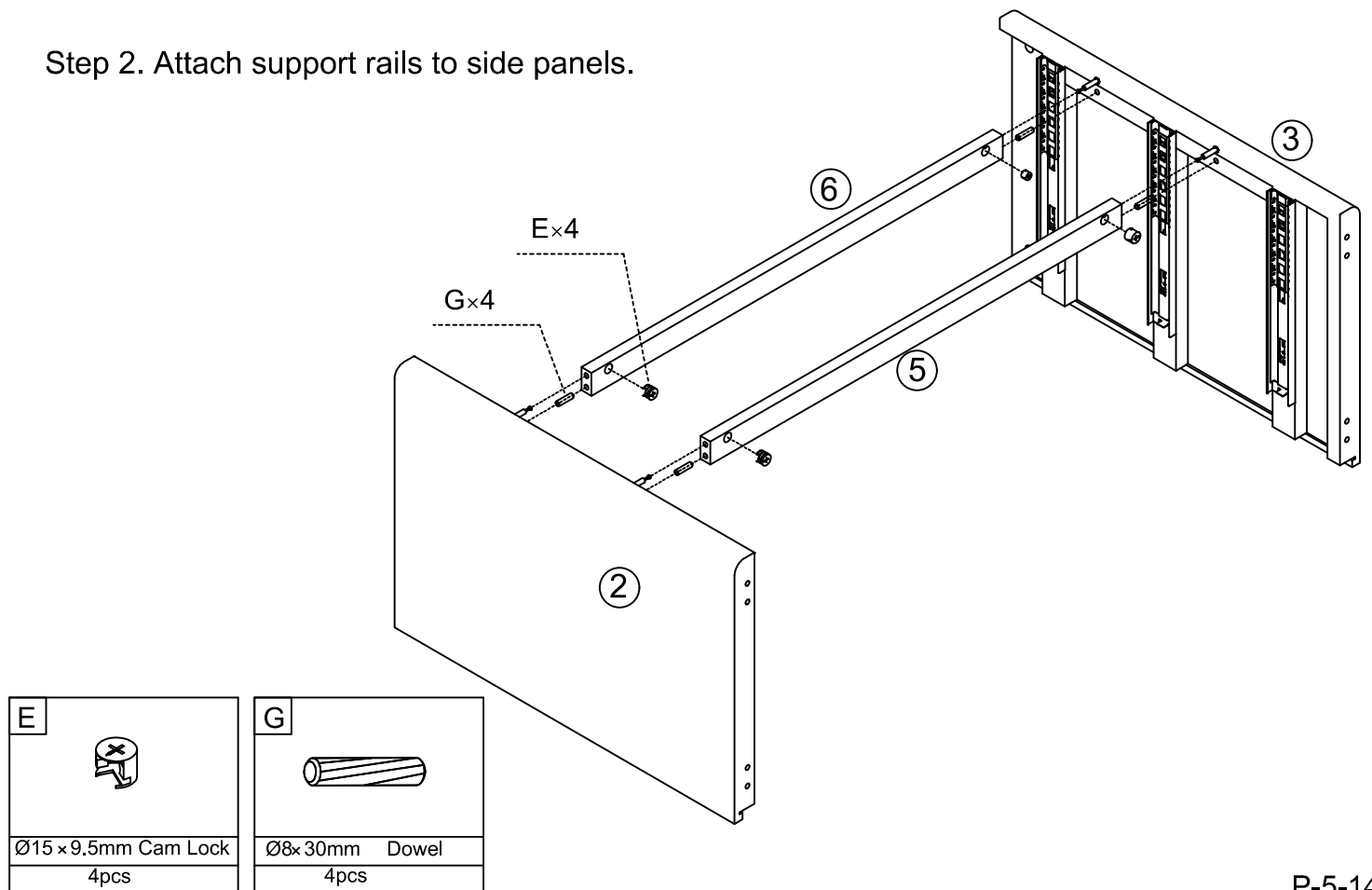
Parts



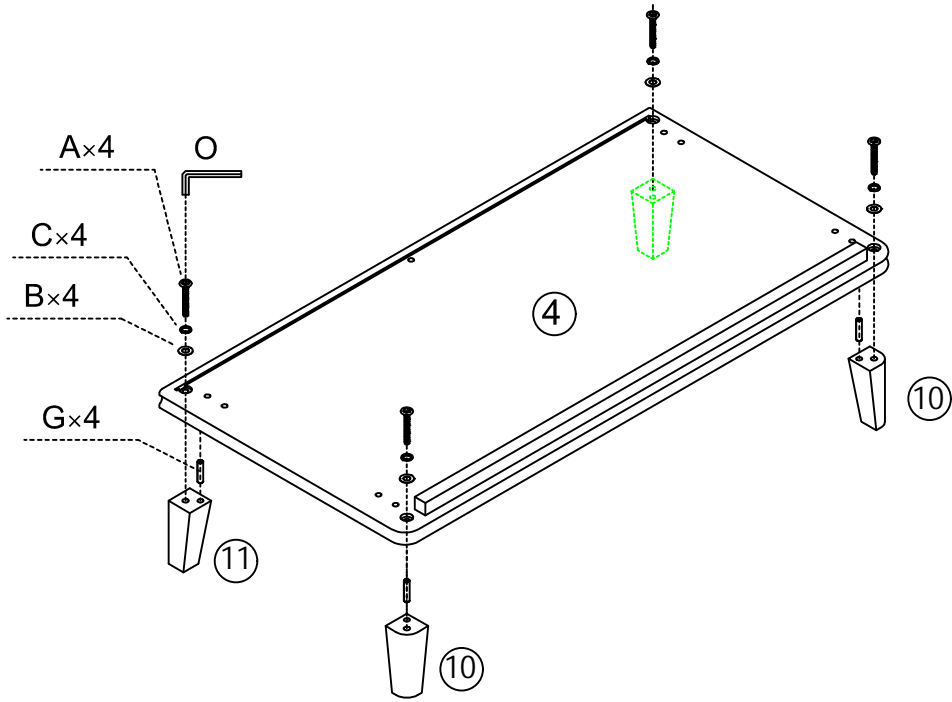
Step 1. Attach parts to the panels.





Step 2. Attach support rails to side panels.




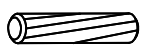
Step 3. Attach legs to bottom panel.




<b>A</b>	
M6 x 40mm Bolt 4pcs	

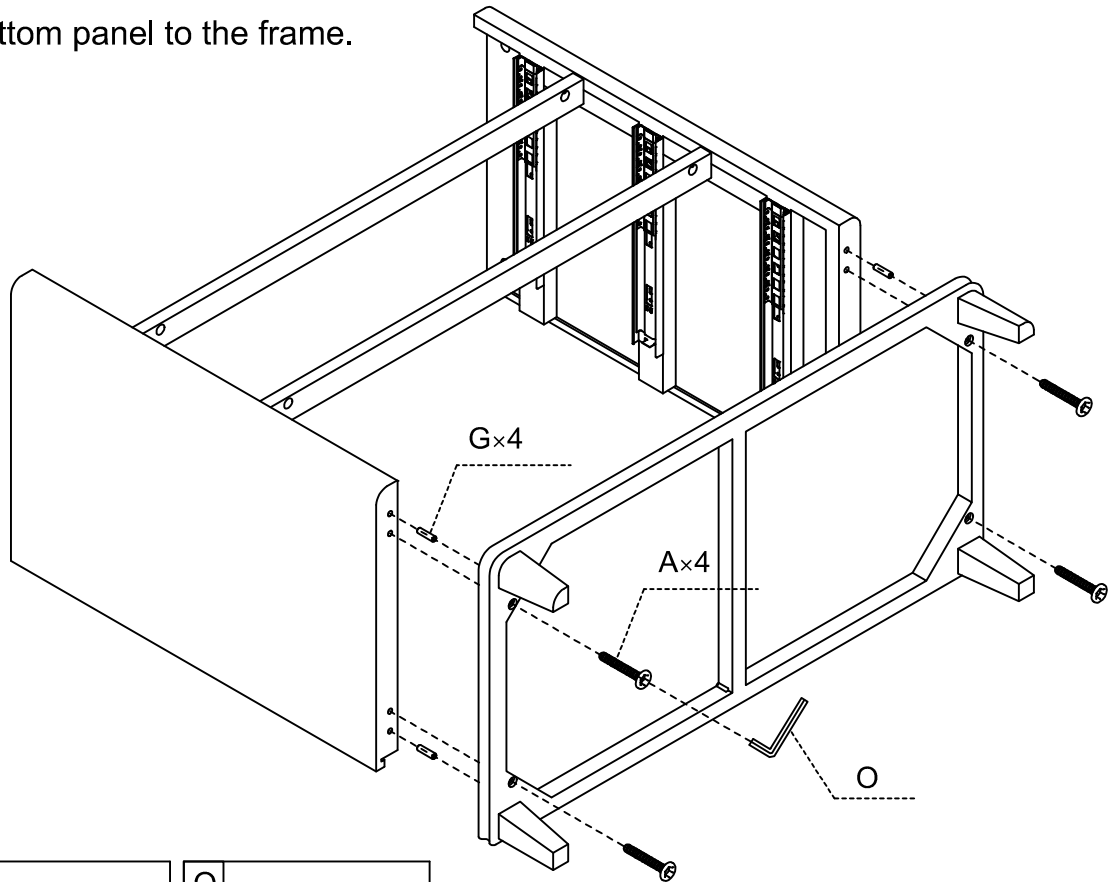
<b>B</b>	
Ø6 Flat Washer 4pcs	


<b>C</b>	
Ø6 Spring Washer 4pcs	


<b>G</b>	
Ø8x30mm Dowel 4pcs	


<b>O</b>	
M4 Allen key 1pc	

Step 4. Attach the bottom panel to the frame.

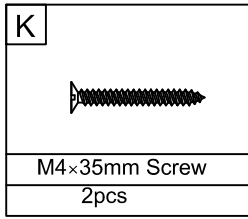
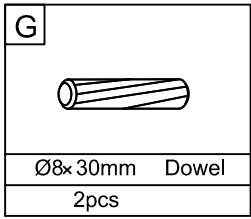
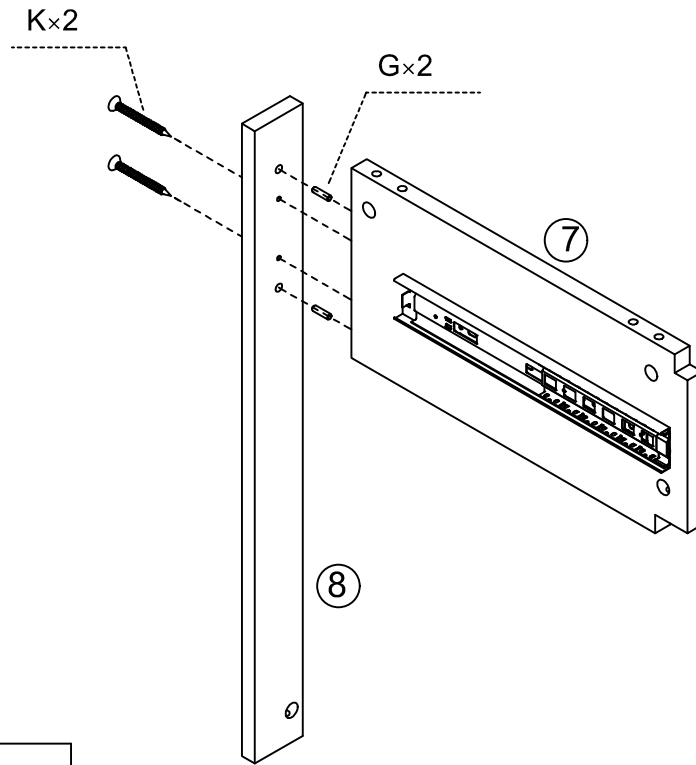


<b>A</b>	
M6 x 40mm Bolt 4pcs	

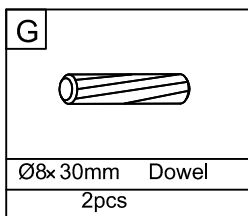
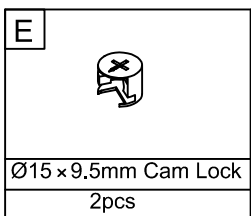
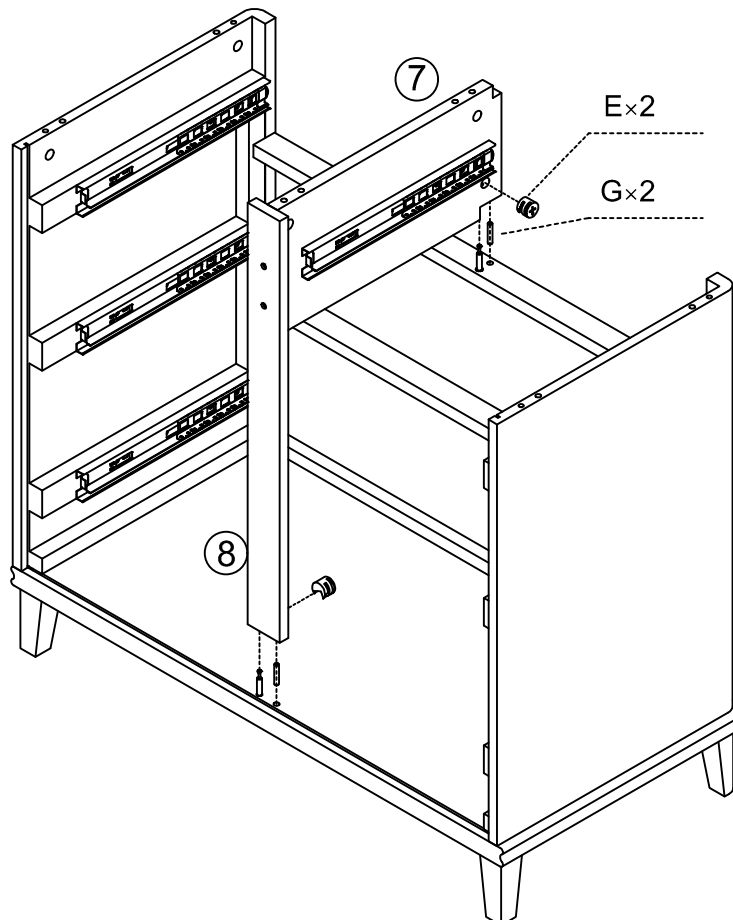
<b>G</b>	
Ø8x30mm Dowel 4pcs	

<b>O</b>	
M4 Allen key 1pc	

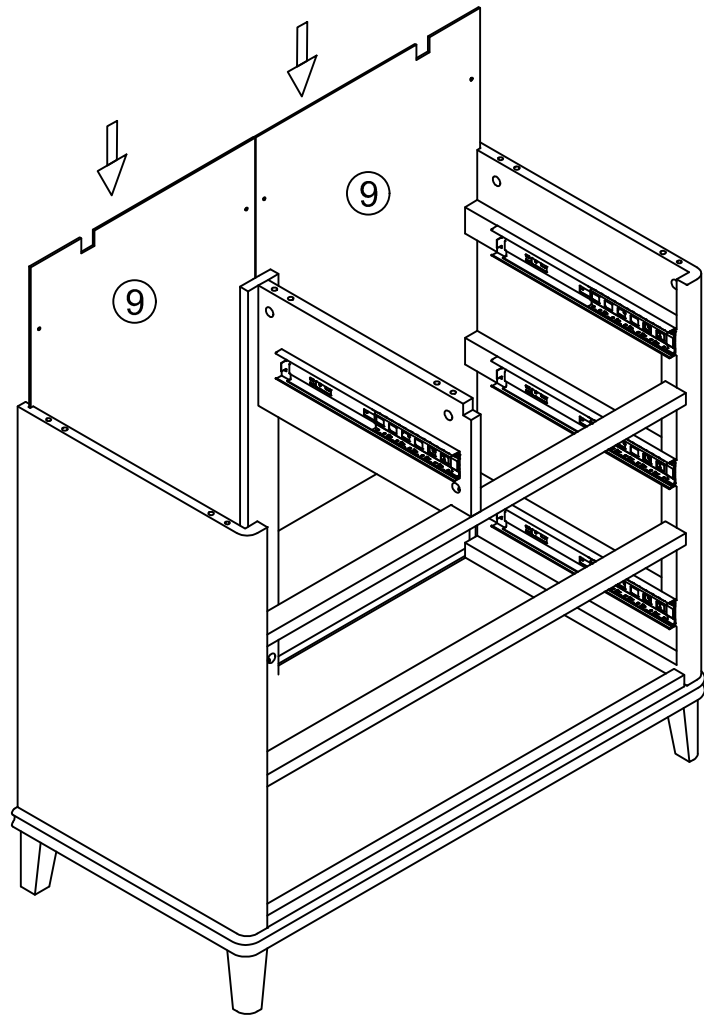
Step 5. Attach the back rail to the middle panel.



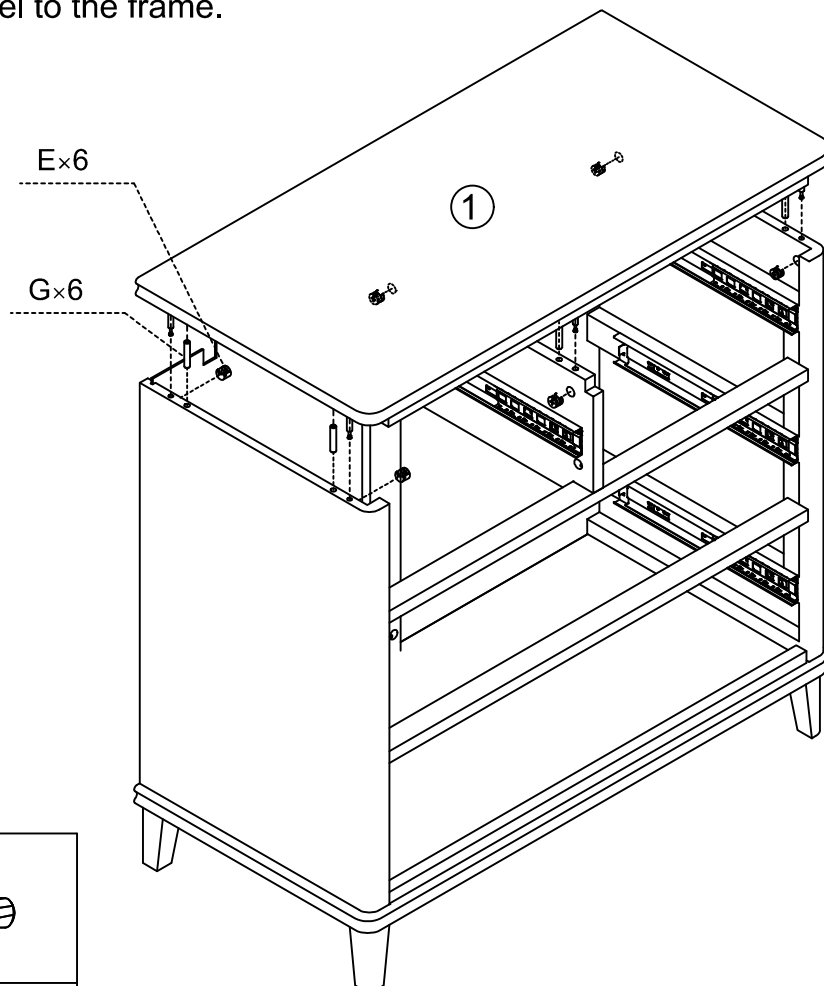
Step 6. Attach the middle panel to the frame.





Step 7. Assemble back panels.



Step 8. Attach the top panel to the frame.

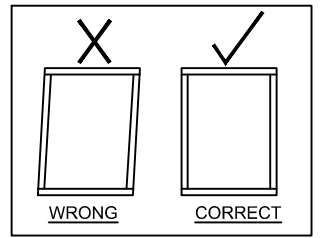


<b>E</b>	
Ø15×9.5mm Cam Lock	
6pcs	

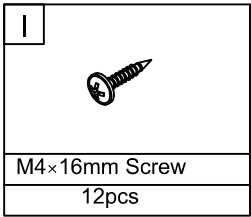
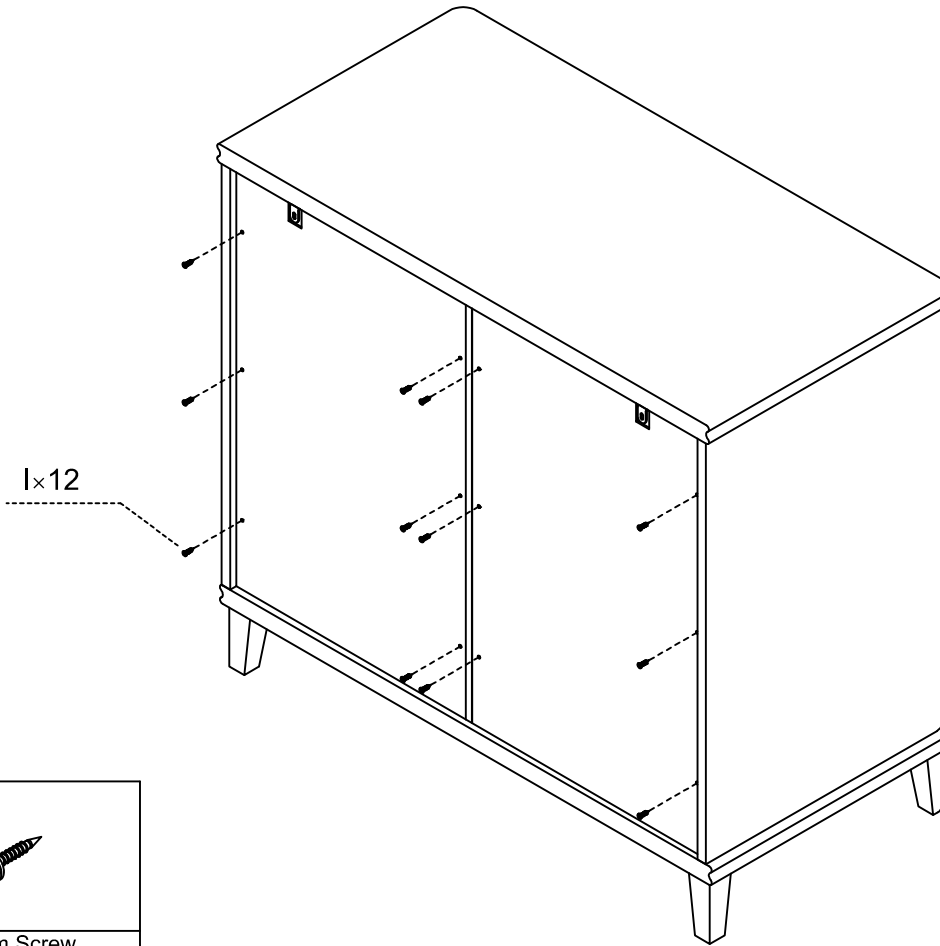
<b>G</b>	
Ø8×30mm Dowel	
6pcs	



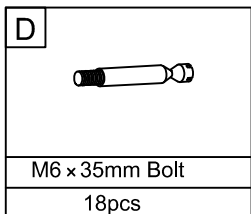
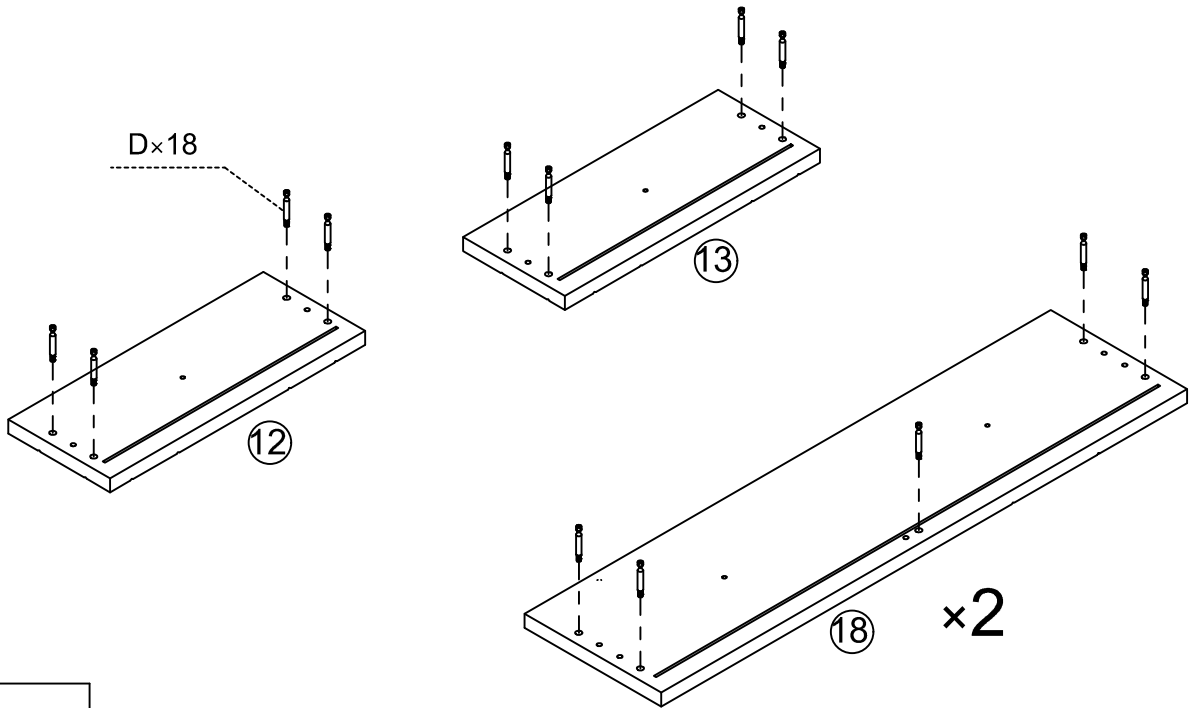
Step 9. Attach screws to the frame.



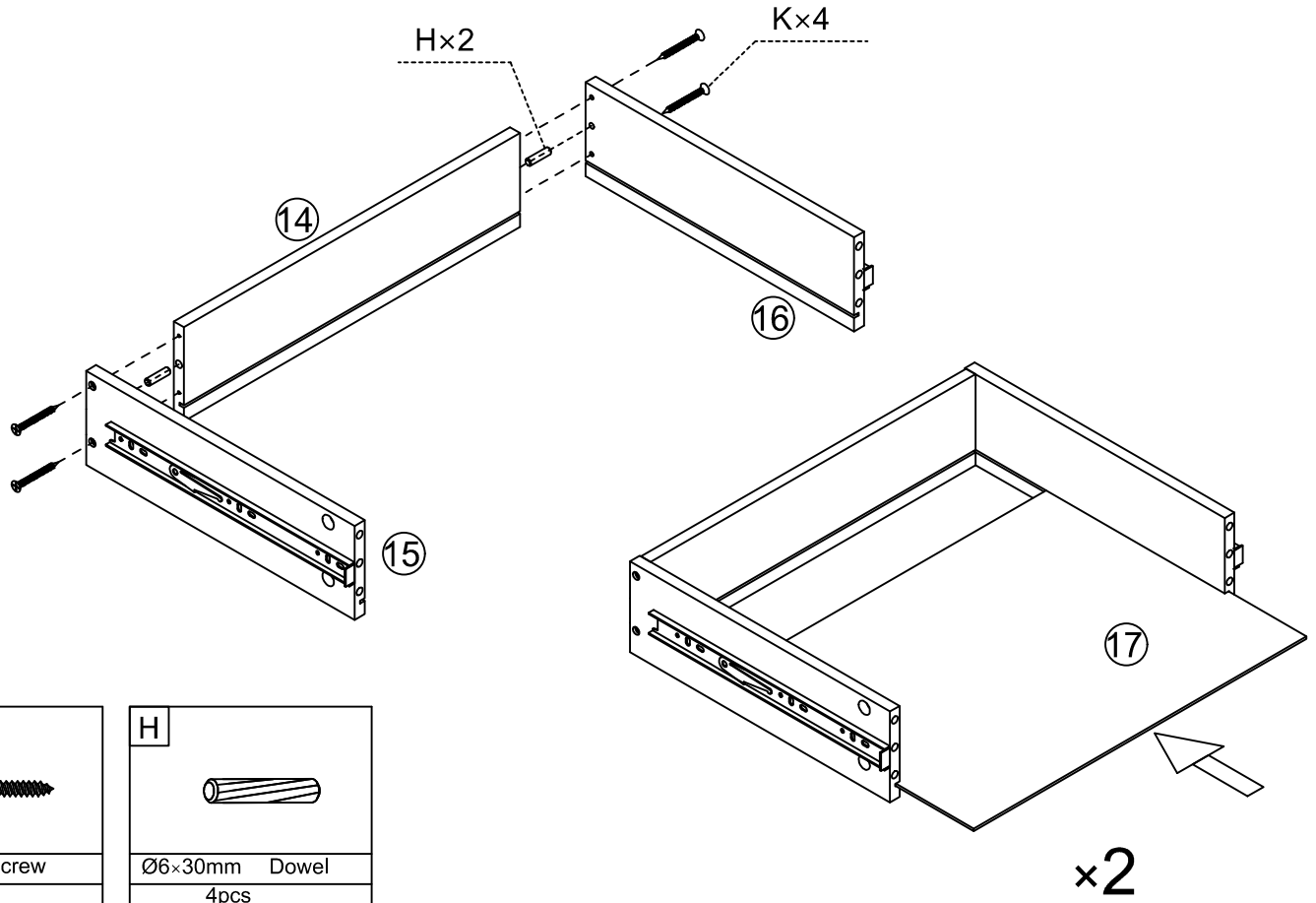
NB: Before tightening the screws, please ensure the chest frame is square



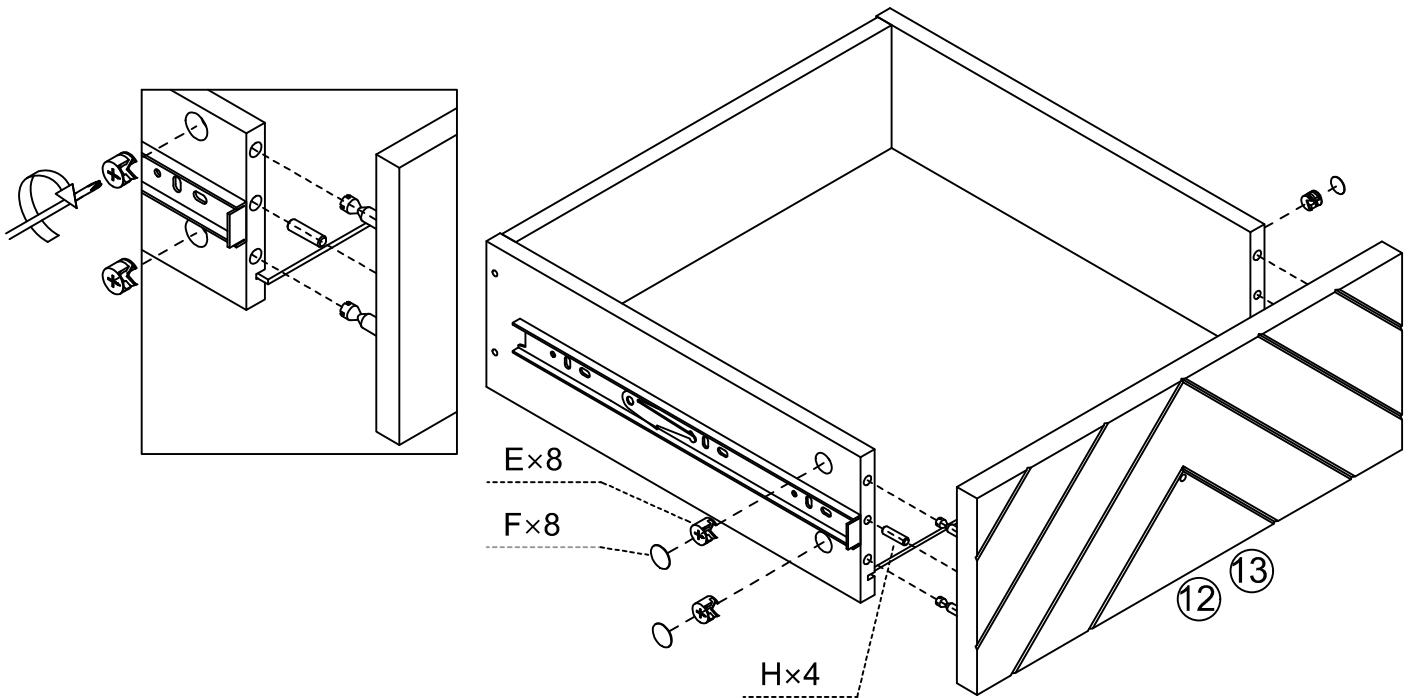
Step 10. Attach parts to the drawer front



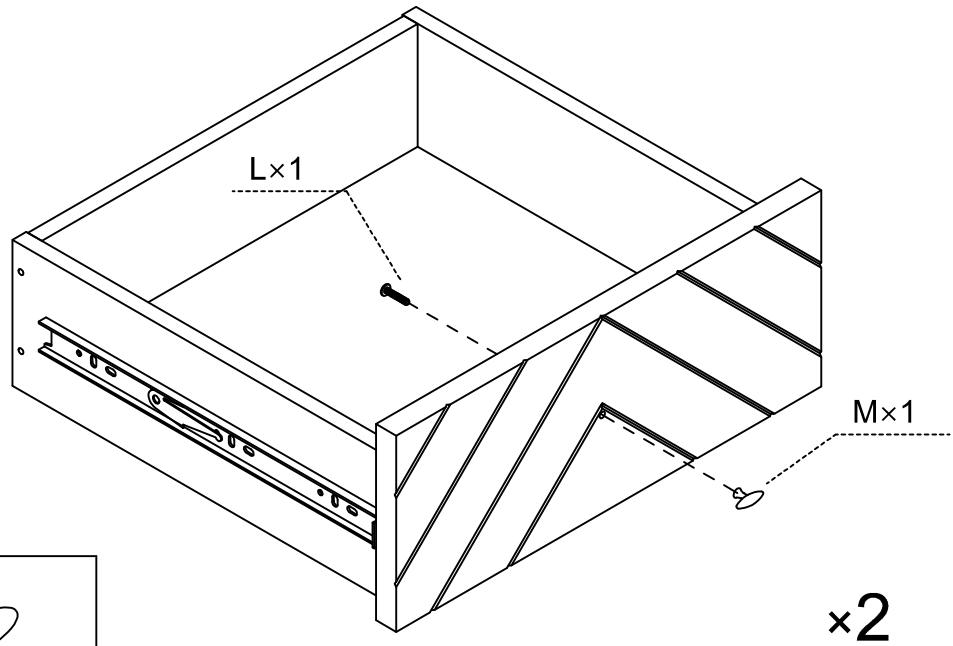
Step 11. Assemble top drawers.





Step 12. Assemble top drawer front.



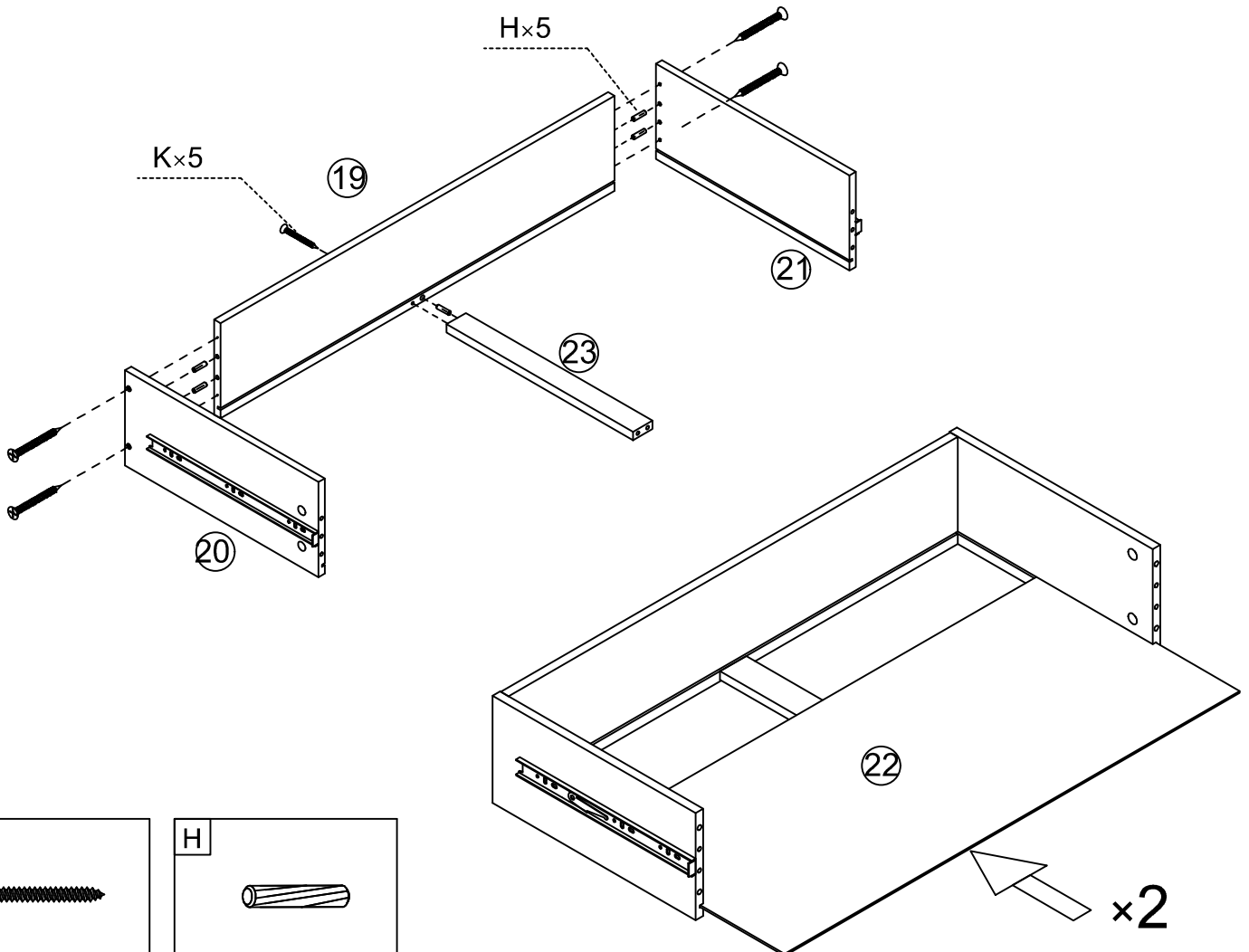
Step 13. Attach handle to the top drawer front.





L	
M4x25mm Bolt	
2pcs	

M	
Handle	
2pcs	

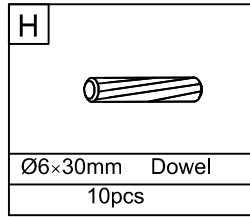
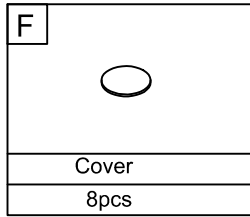
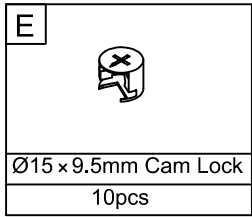
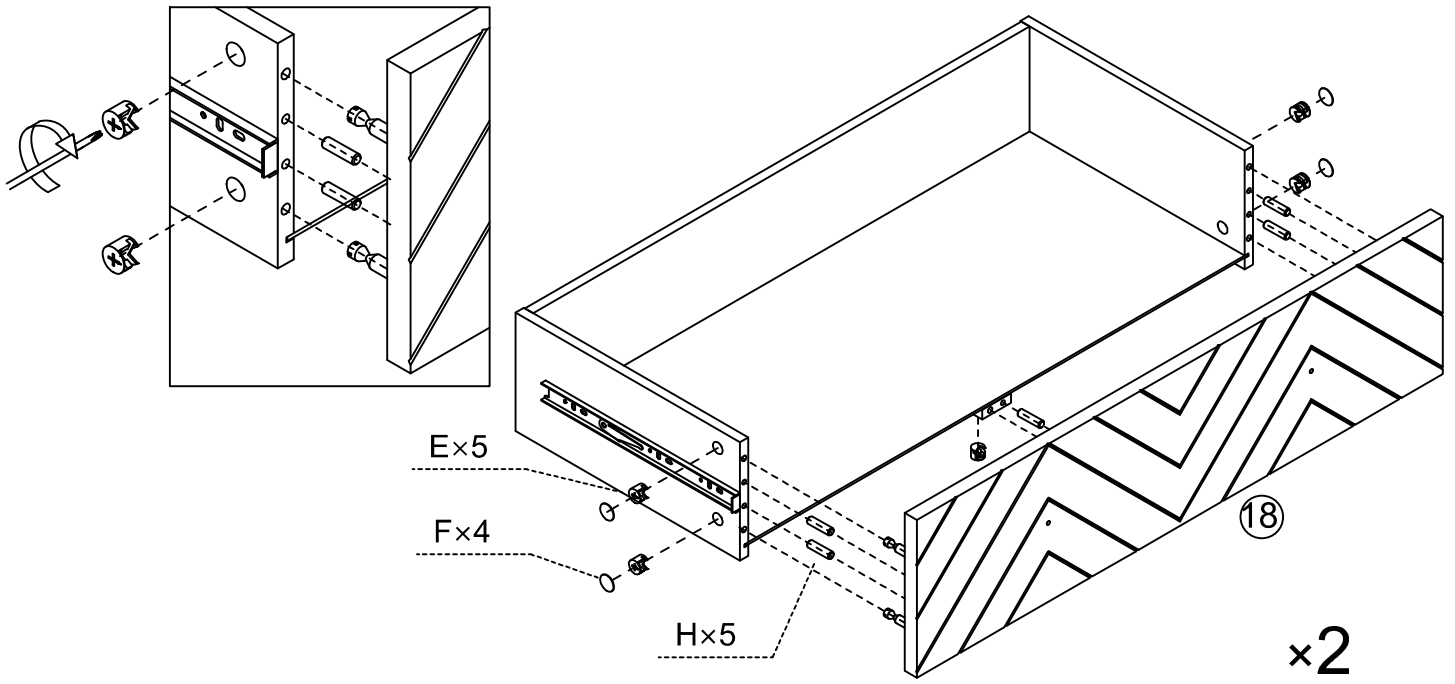
Step 14. Assemble bottom drawers.



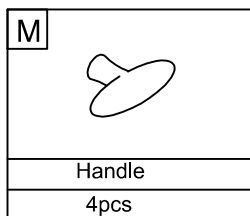
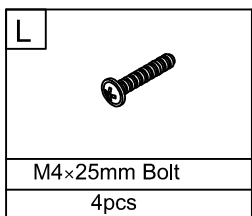
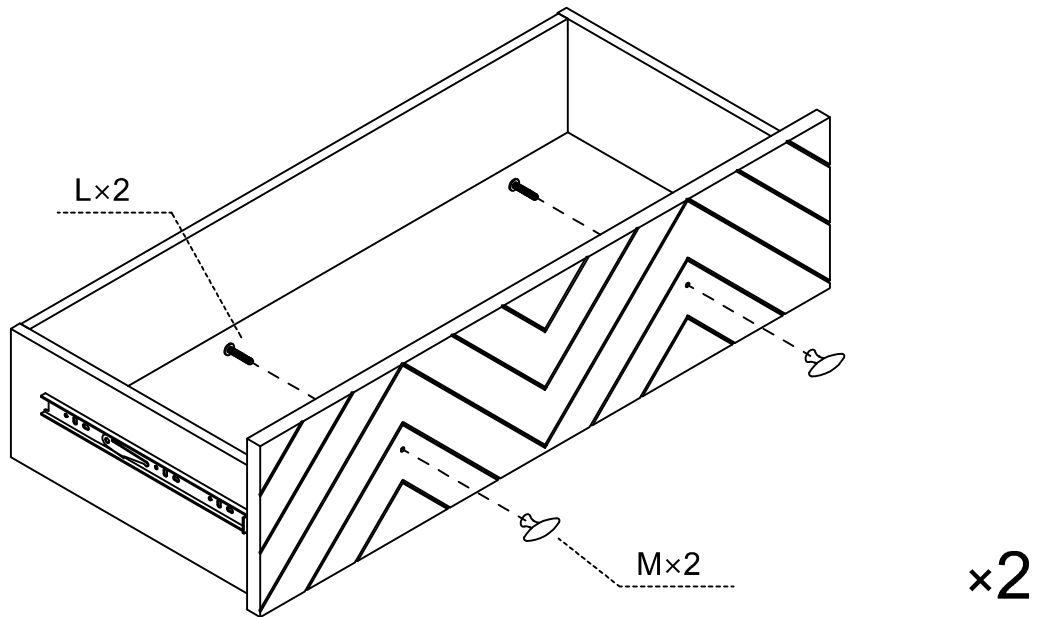
K	
M4x35mm Screw	
10pcs	

H	
Ø6x30mm Dowel	
10pcs	

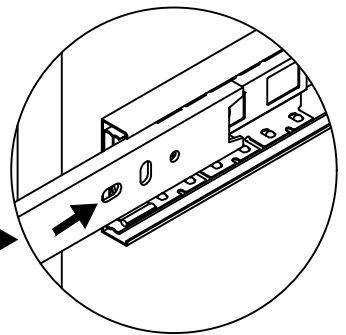
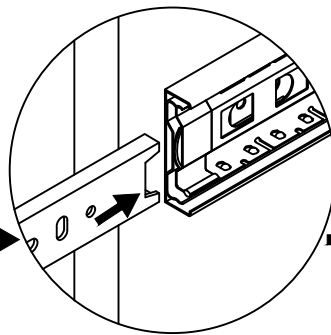
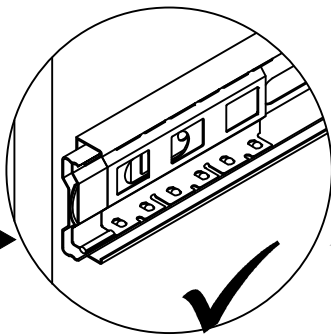
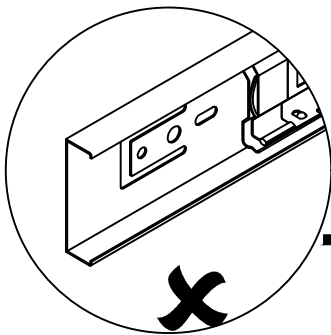
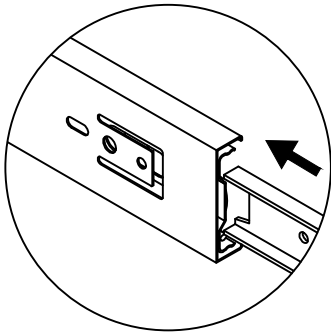
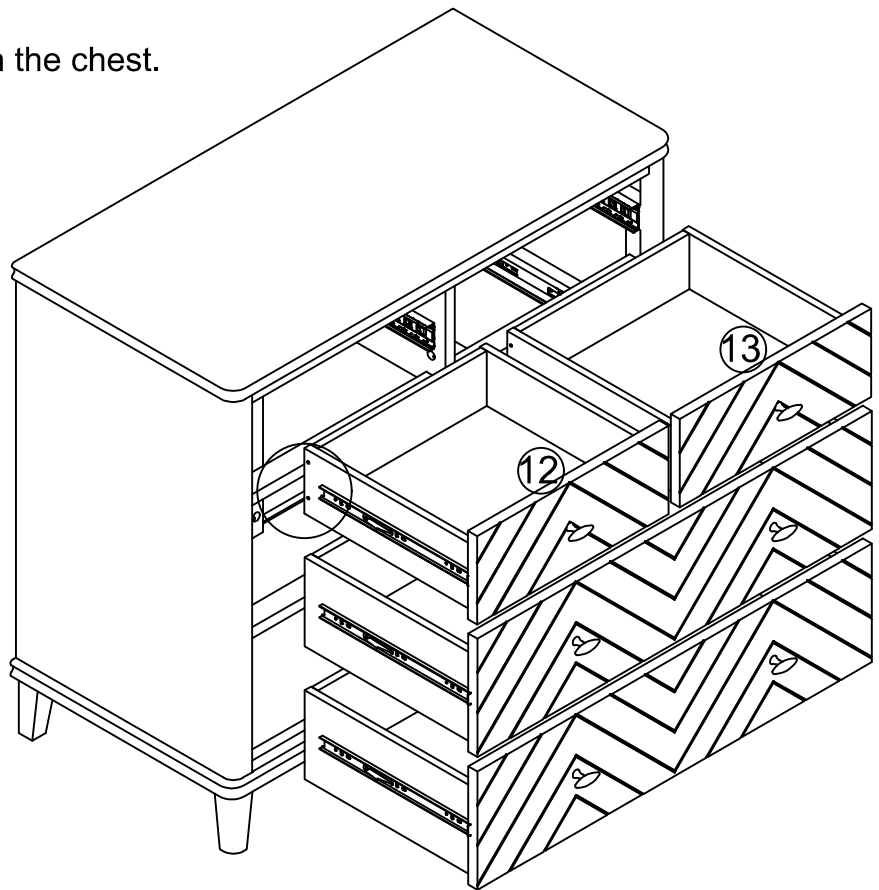
Step 15. Assemble bottom drawer front.



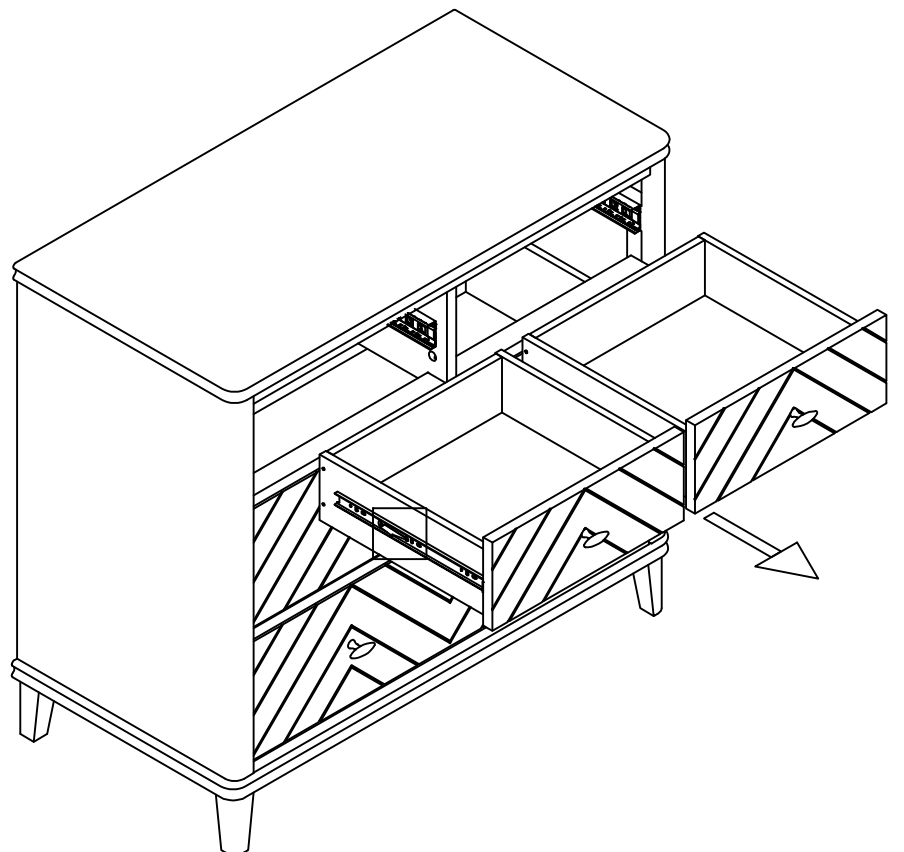
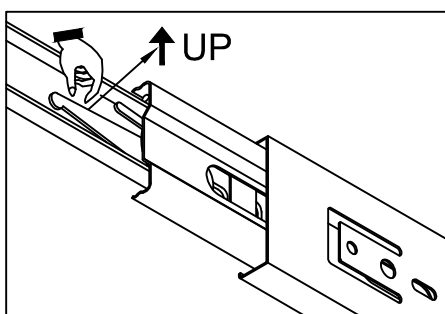
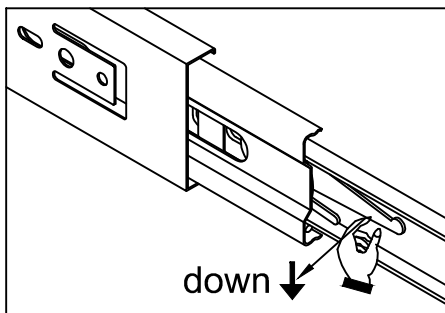
Step 16. Attach handle to the bottom drawer front.



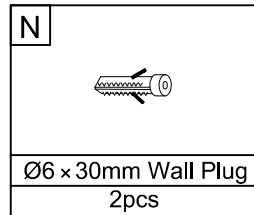
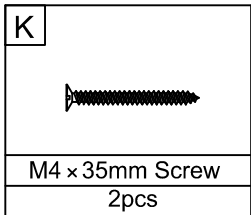
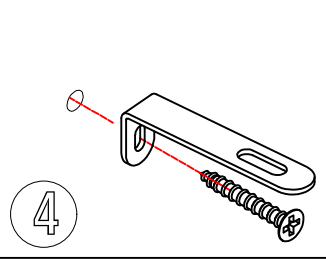
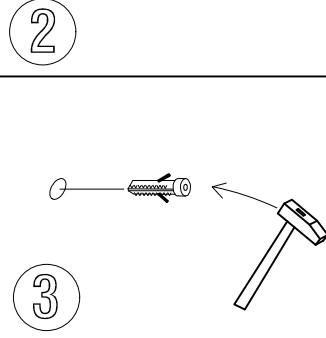
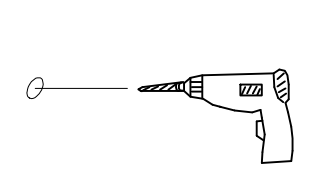
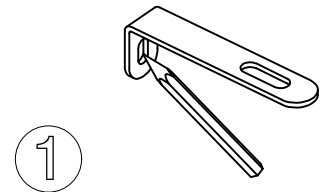
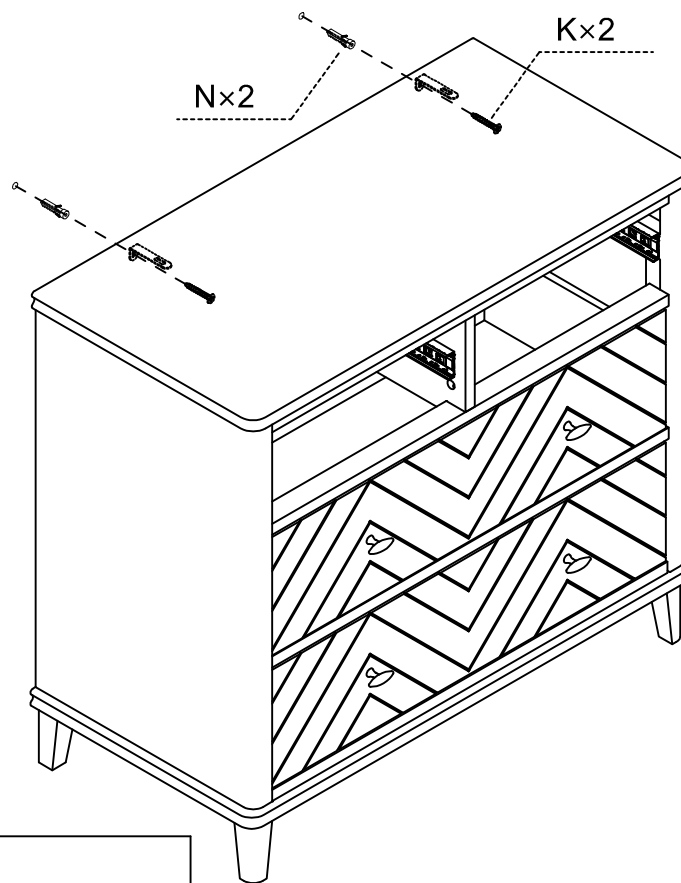
Step 17. Assemble drawers in the chest.



Step 18. Take out the drawer.



Step 19. Fix the L-shaped Bracket to the wall.



Step 20. Assemble drawers in the chest.

