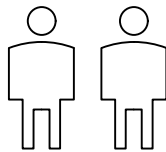
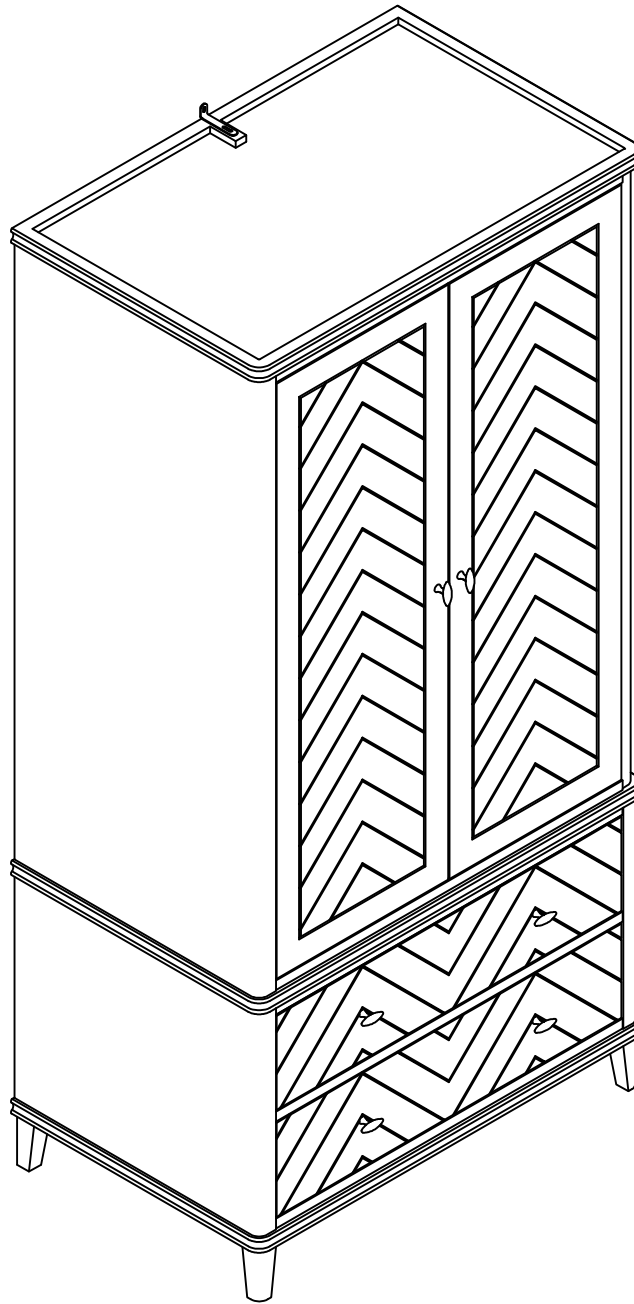


Stockholm 2 Door Wardrobe



V1.0

Up to 50 minutes
assembly time

Two person
assembly

This product is intended for domestic use only, not for commercial purposes.

IMPORTANT

ASSEMBLY TIP

Before you begin, it's best to identify all of the parts and fittings to build your Stockholm 2 Door Wardrobe frame. We advise laying these out on the floor to check you have everything, and to familiarise yourself with all of the parts and fittings before building.

TOP TIP

We recommend that you assemble the Stockholm 2 Door Wardrobe in the room you'd like it to be located. This will help prevent any risk of damage to the frame whilst moving it.

SAFETY AND CARE

It's important to ensure children and animals are kept away from the assembly area, as there are small components used in this product which could present a choking hazard. All plastic and wrapping materials should also be kept away from children and animals to prevent any risk of suffocation.

HELP AND SUPPORT

Please contact our customer service team on 0113 519 0311 if you have any questions or issues with your purchase.

RECYCLING

Please ensure that packaging is disposed of in a safe and environmentally friendly way, and recycle where possible. Please keep your assembly instructions safe to refer back to in the future.

CARE AND MAINTENANCE:

1. Only clean using a damp cloth, do not use bleach or abrasive cleaners as they may damage the finish over time.
2. Do not use a very wet cloth or allow any liquid to contact with the veneer for a long period of time. Wipe any spillage immediately. Absorption can cause wood to warp or finishes to de-laminate.
3. Do not scrub or rub the surface when cleaning.
4. Do not drag the Stockholm 2 Door Wardrobe when moving, lift it off the floor instead.
5. Use a placemat or a coaster when putting hot items (e.g. hot drinks and dishes) on the wood surface.
6. It is not recommended to place the item next to sources of heat such as radiators, fires or directly exposed to sunlight. This may cause the wood to crack, split or fade due to the heat and humidity.
7. Wood will mellow and change colour over time, we recommend that ornaments and items placed on the surface to be moved regularly to prevent uneven mellowing.
8. Regularly check all fixings to ensure none have come loose. Re-tighten if necessary.
9. Avoid sharp items such as a screwdriver or any pointy tools.
10. Dispose of all packaging carefully and responsibly - recycle where possible.

Parts list




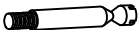










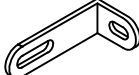


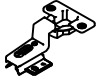


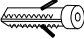
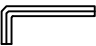
Before you begin building your Wardrobe, please take a moment to read through the instructions and make sure that you have all the relevant parts listed on the parts check list.

Part Number	Part Description	Quantity	Box No
①	Top Panel	1pc	Box 2
②	Top Left Side Panel	1pc	Box 1
③	Top Right Side Panel	1pc	Box 1
④	Bottom Left Side Panel	1pc	Box 2
⑤	Bottom Right Side Panel	1pc	Box 2
⑥	Bottom Panel	1pc	Box 2
⑦	Front Support Rail	1pc	Box 2
⑧	Middle Panel	1pc	Box 2
⑨	Shelf Panel	1pc	Box 2
⑩	Back Support Rail	1pc	Box 2
⑪	Hanger Rod	1pc	Box 2
⑫	Top Back Panel	2pcs	Box 1

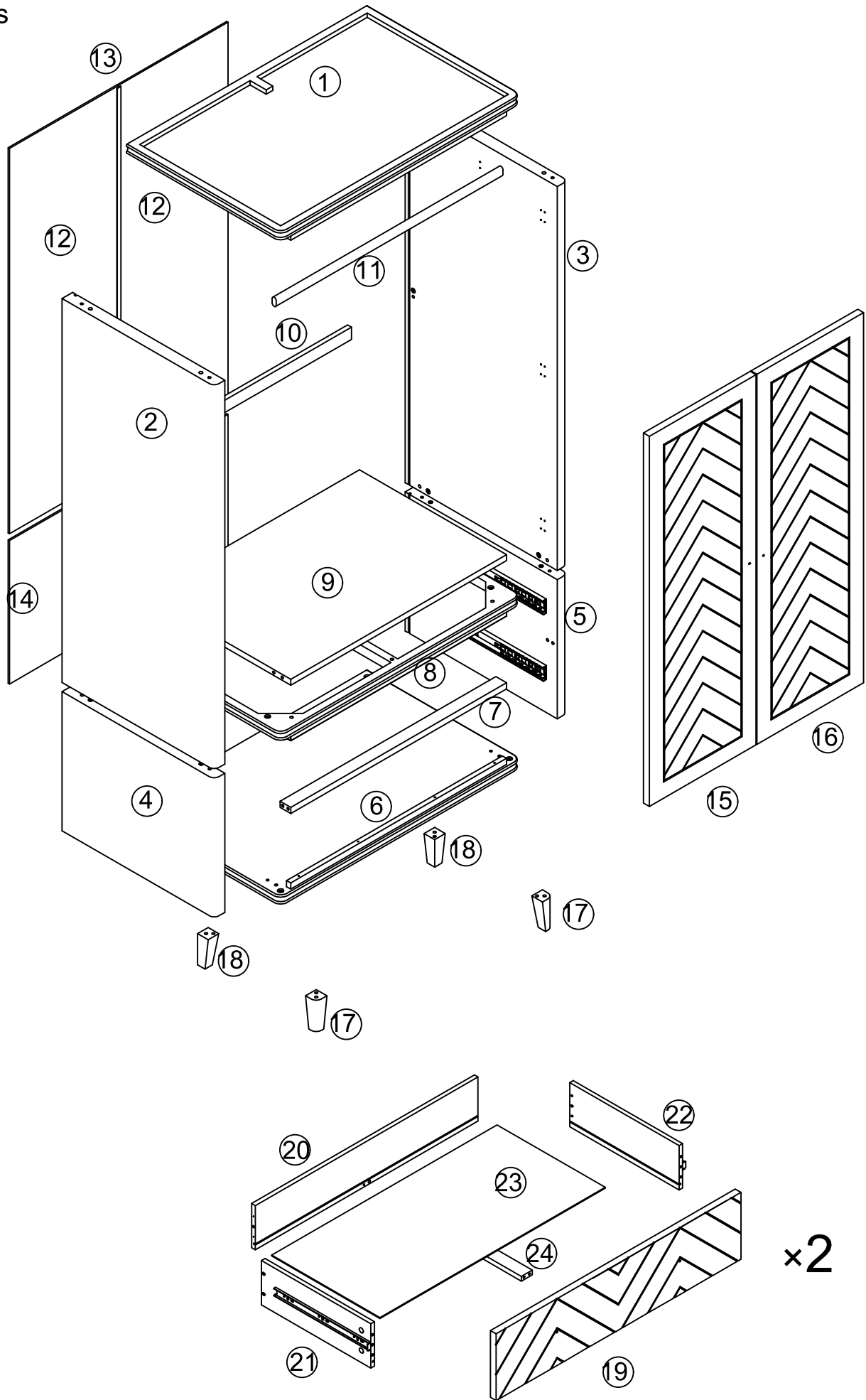
Part Number	Part Description	Quantity	
⑬	Back Slats	1pc	Box1
⑭	Bottom Back Panel	1pc	Box 2
⑮	Left Door	1pc	Box 1
⑯	Right Door	1pc	Box 1
⑰	Front Leg	2pcs	Box 2
⑱	Back Leg	2pcs	Box 2
⑲	Drawer Front	2pcs	Box 2
⑳	Drawer Back Side	2pcs	Box 2
㉑	Drawer Left Side	2pcs	Box 2
㉒	Drawer Right Side	2pcs	Box 2
㉓	Drawer Bottom	2pcs	Box 2
㉔	Drawer Support	2pcs	Box 2

Fittings

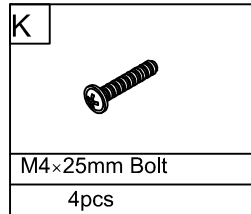
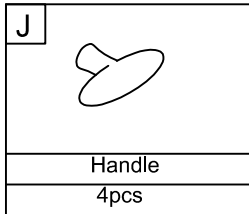
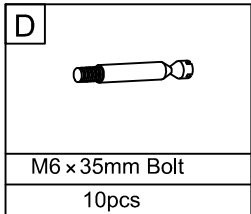
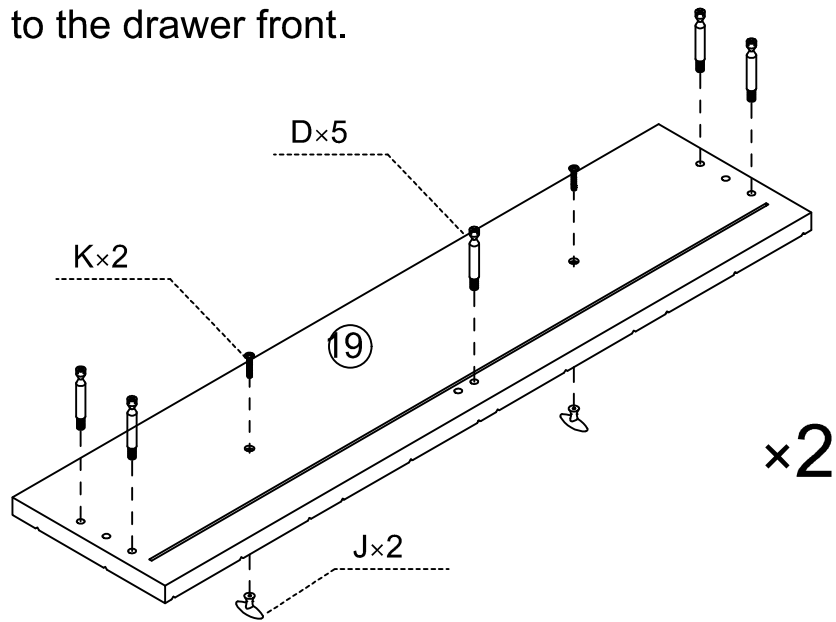
Please check you have all the fittings listed below with your product.

<p>A</p>  <p>M6x45mm Bolt 16pcs+1pc extra</p>	<p>B</p>  <p>Ø6 Flat Washer 4pcs</p>	<p>C</p>  <p>Ø6 Spring Washer 4pcs</p>	<p>D</p>  <p>M6x35mm Bolt 18pcs+1pc extra</p>	<p>E</p>  <p>Ø15x9.5mm Cam Lock 18pcs+1pc extra</p>
<p>F</p>  <p>Ø8x30mm Dowel 26pcs+2pcs extra</p>	<p>G</p>  <p>Ø6x30mm Dowel 12pcs+1pc extra</p>	<p>H</p>  <p>15x9mm Plastic Buckle 14pcs+1pc extra</p>	<p>I</p>  <p>M3.5x14mm Screw 14pcs+1pc extra</p>	<p>J</p>  <p>Handle 6pcs</p>
<p>K</p>  <p>M4x25mm Bolt 6pcs</p>	<p>L</p>  <p>M4x35mm Screw 11pcs +1pc extra</p>	<p>M</p>  <p>Rod Support 2pcs</p>	<p>N</p>  <p>Rod Support Cap 2pcs</p>	<p>O</p>  <p>Wall Bracket 1pc</p>
<p>P</p>  <p>M4x16mm Screw 9pcs+1pc extra</p>	<p>Q</p>  <p>M4x16mm Screw 40pcs+2pcs extra</p>	<p>R</p>  <p>Hinge 6pcs</p>	<p>S</p>  <p>Cover 8pcs+1pc extra</p>	<p>T</p>  <p>M6x35mm Bolt 4pcs</p>
<p>U</p>  <p>Ø6 x 30mm Wall Plug 1pc</p>	<p>V</p>  <p>M4 Allen key 1pc</p>			

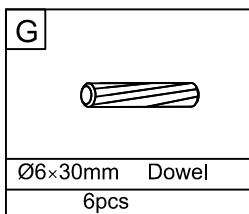
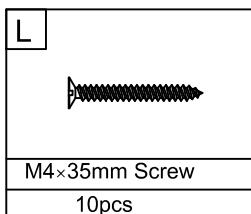
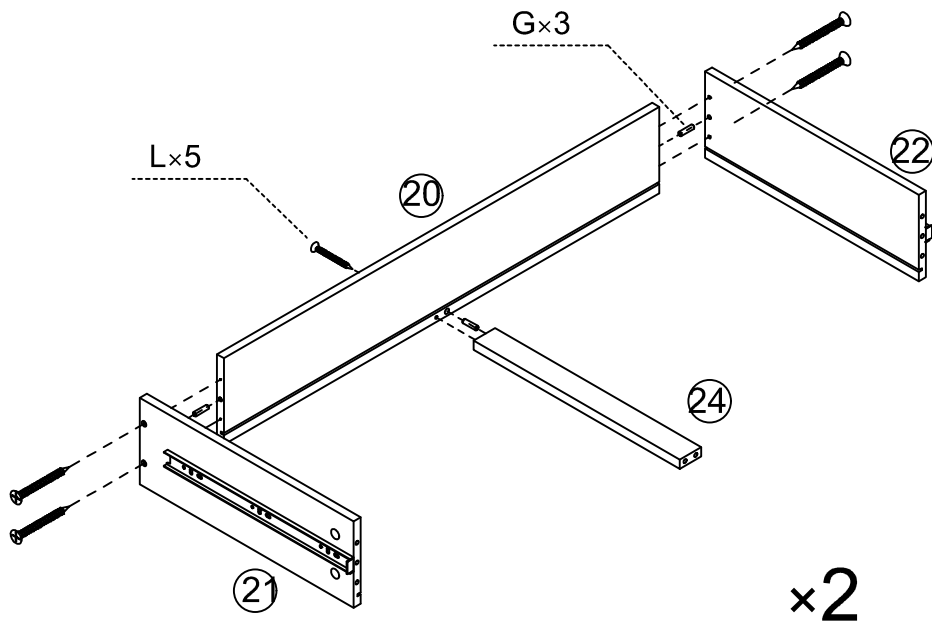
Parts



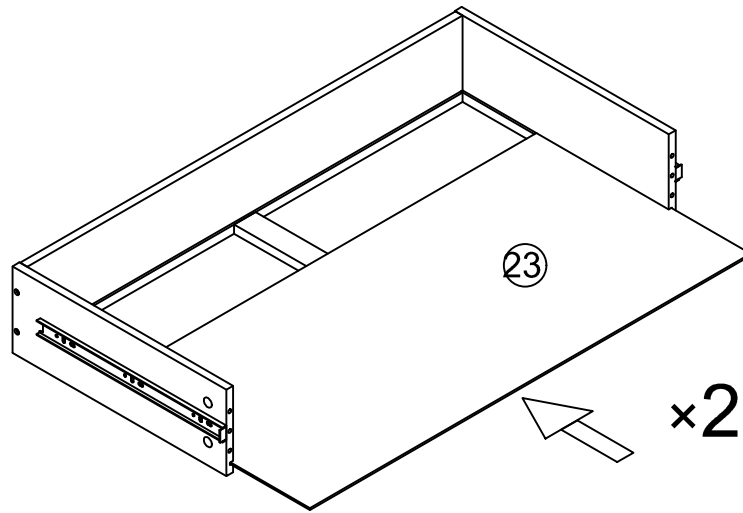
Step 1. Attach parts to the drawer front.



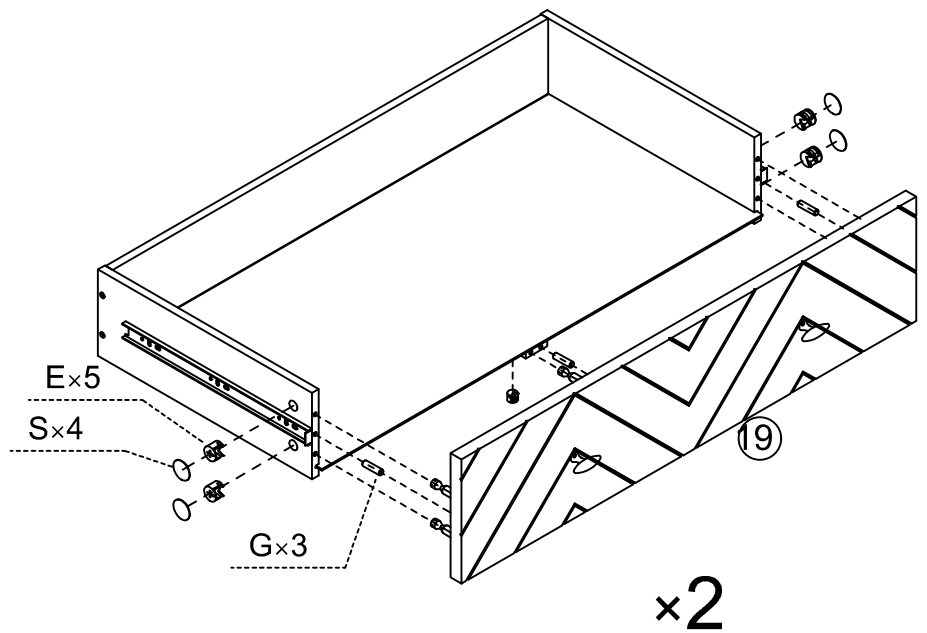
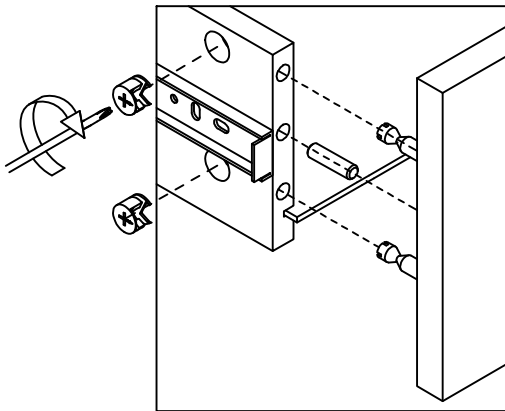
Step 2. Assemble drawers.





Step 3. Assemble drawer bottom panel.




Step 4. Assemble drawer front.

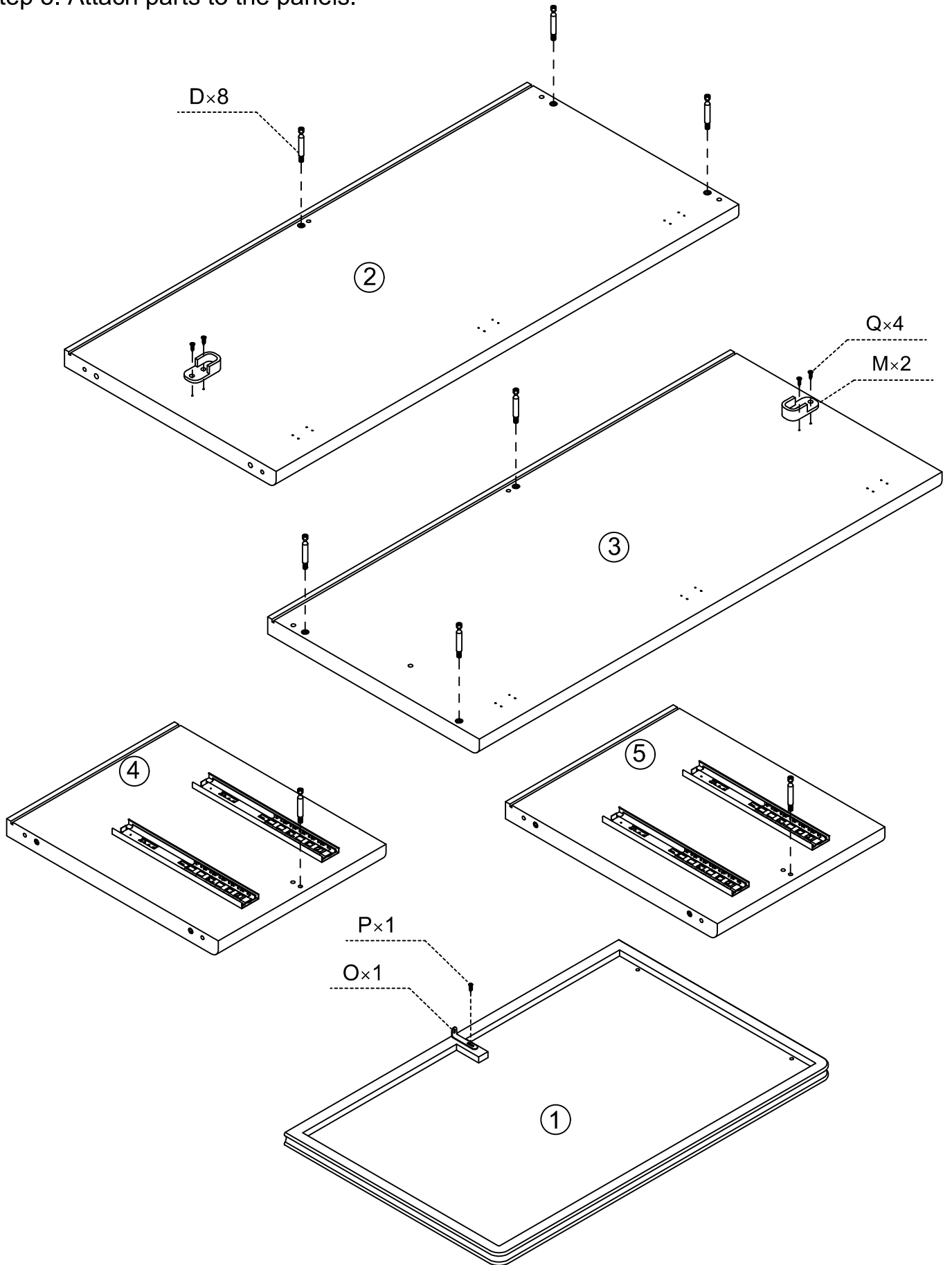


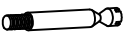
E	
Ø15 x 9.5mm Cam Lock	
10pcs	


S	
Cover	
8pcs	

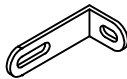
G	
Ø6 x 30mm Dowel	
6pcs	


Step 5. Attach parts to the panels.




D	
M6 x 35mm Bolt	
8pcs	

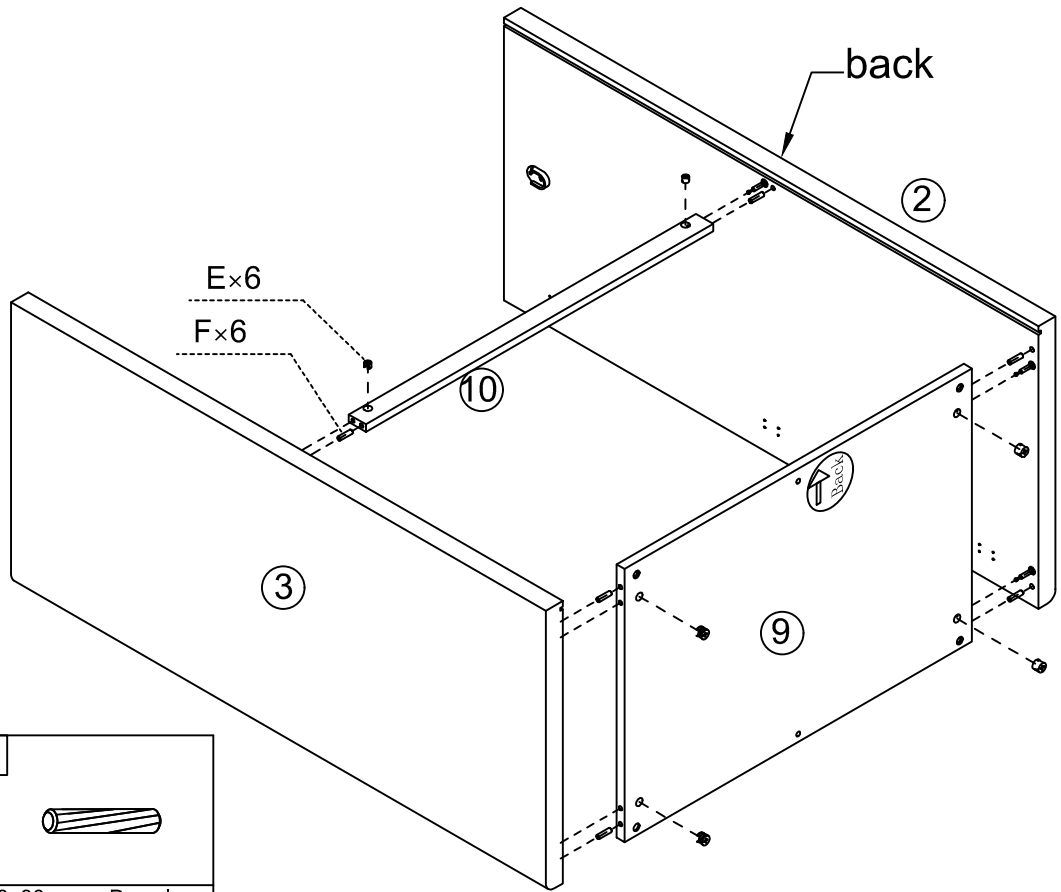
M	
Rod Support	
2pcs	


O	
Wall Bracket	
1pc	


P	
M4 x 16mm Screw	
1pc	

Q	
M4 x 16mm Screw	
4pcs	

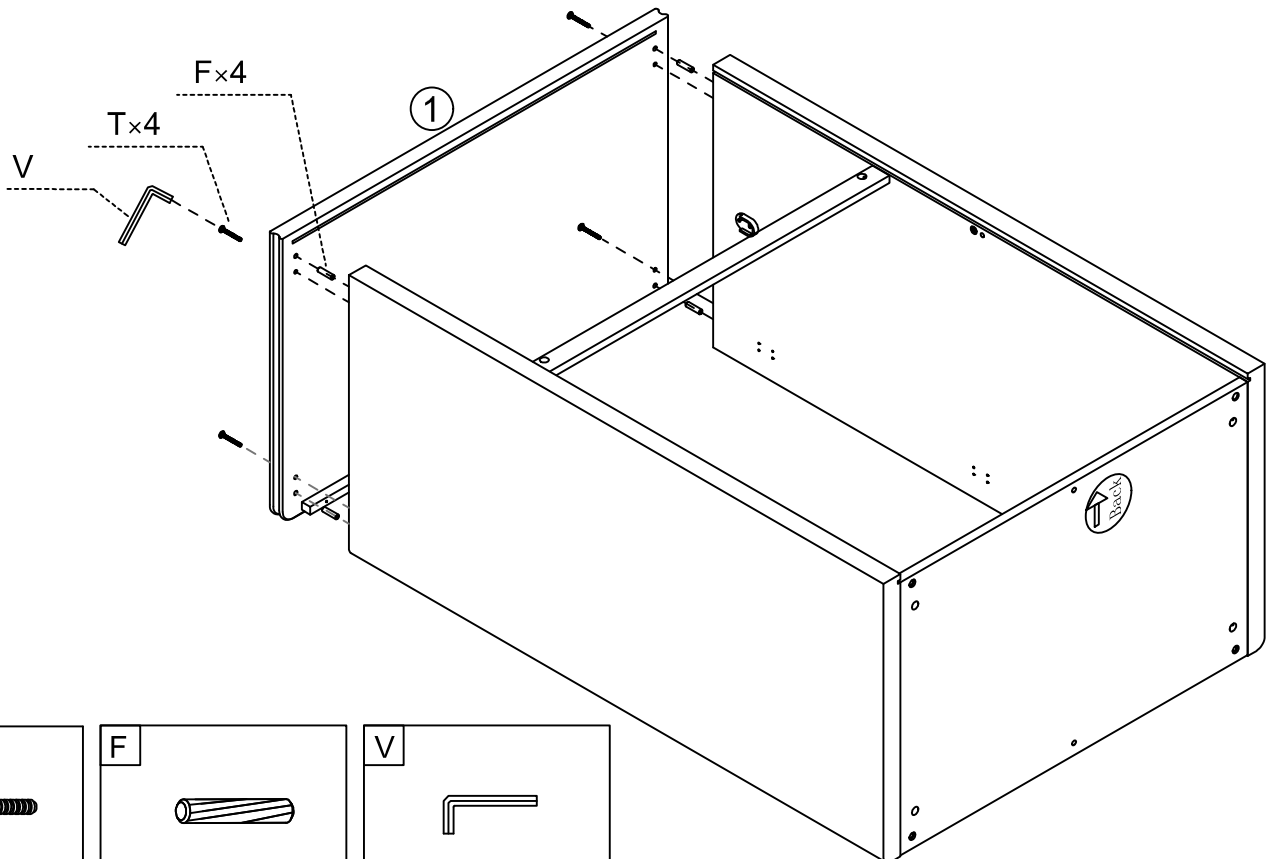
Step 6. Attach back support rail and shelf panel to side panels.





E	
Ø15 x 9.5mm Cam Lock	
6pcs	

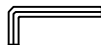
F	
Ø8 x 30mm Dowel	
6pcs	

Step 7. Attach the top panel to the frame.

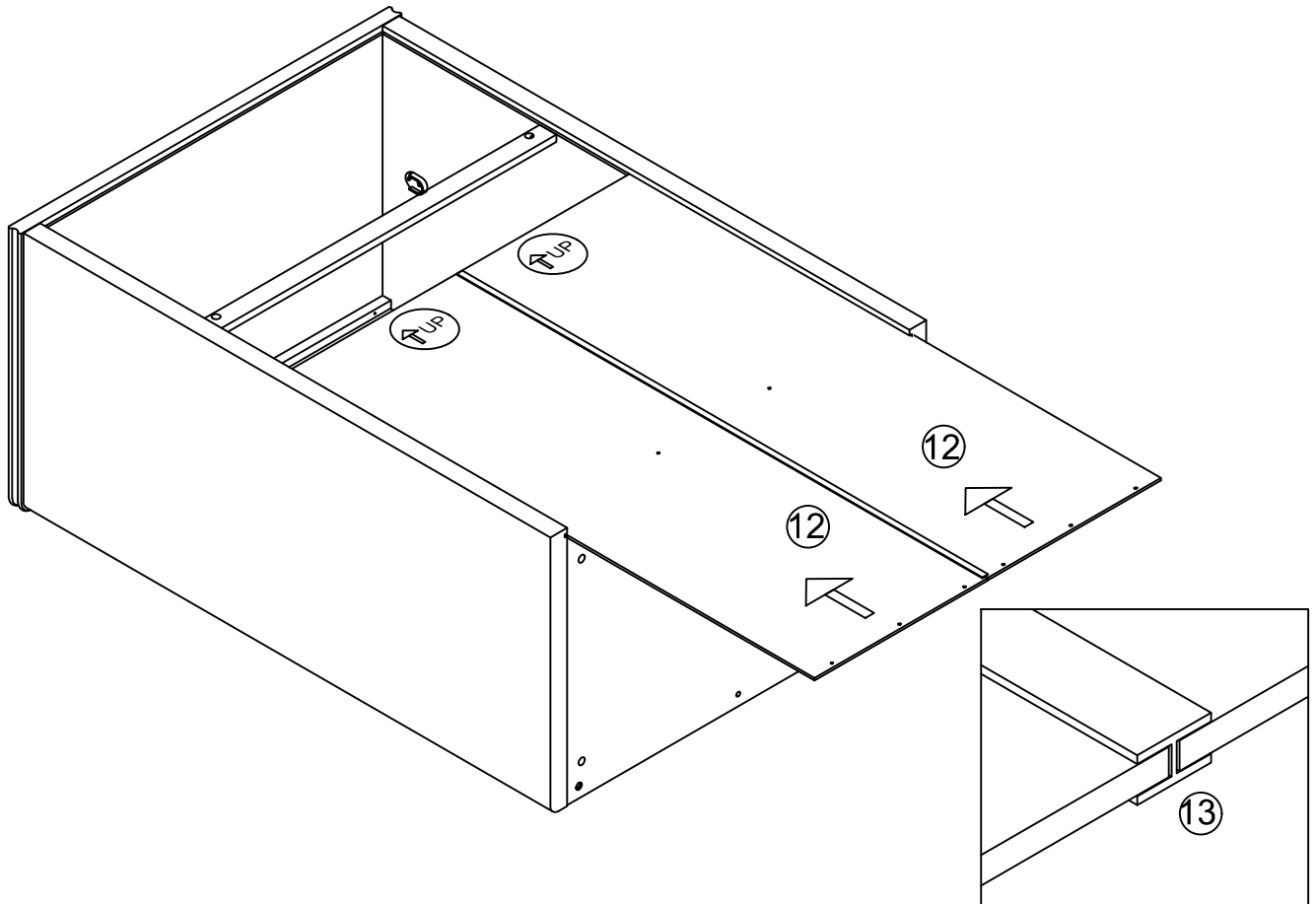


T	
M6 x 35mm Bolt	
4pcs	

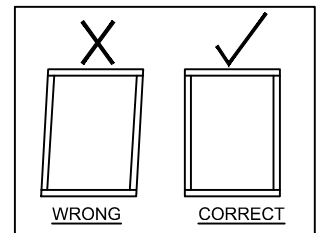
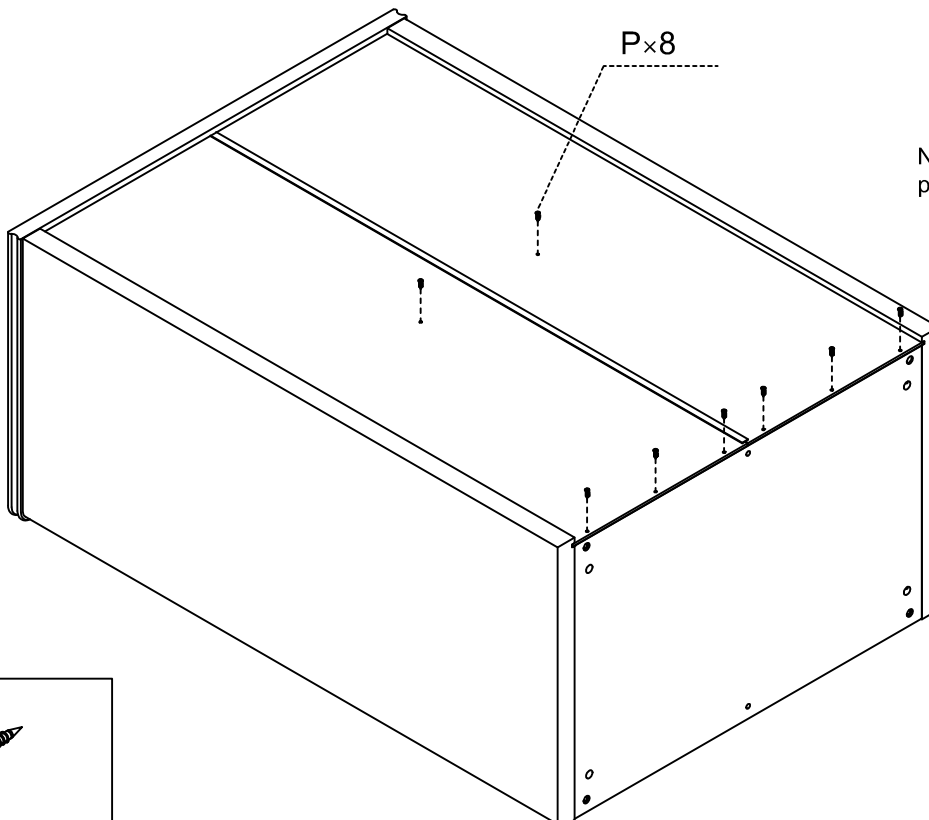
F	
Ø8 x 30mm Dowel	
4pcs	

V	
M4 Allen key	
1pc	

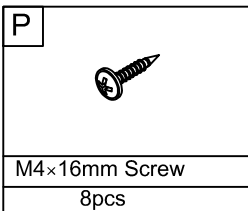
Step 8. Assemble back panels.



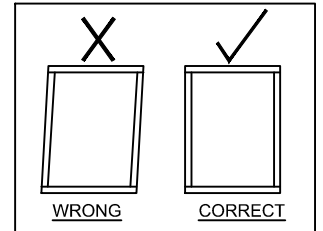
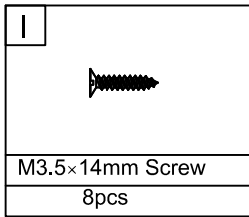
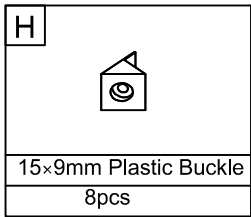
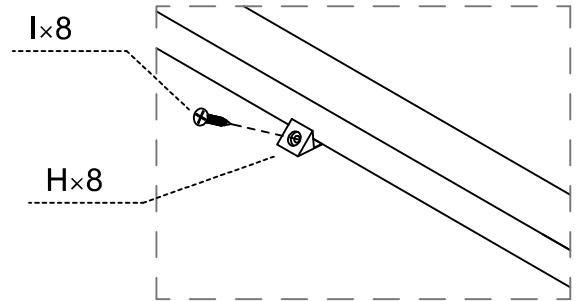
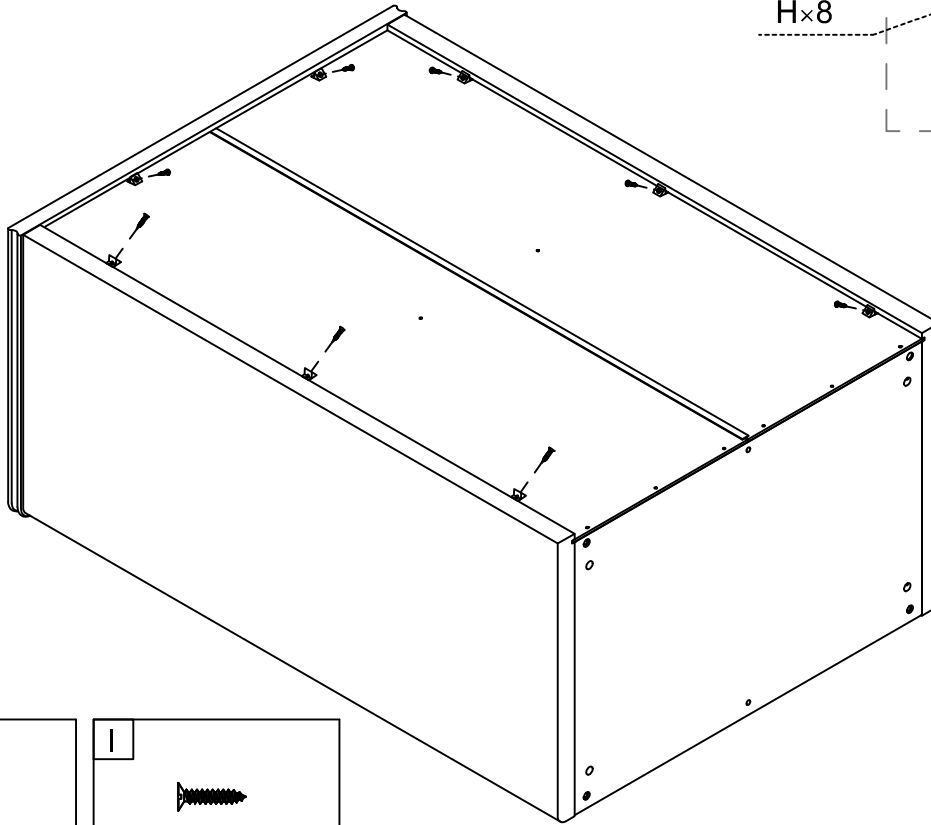
Step 9. Attach the screws.



NB: Before tightening the screws, please ensure the frame is square

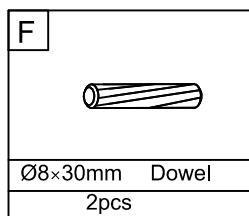
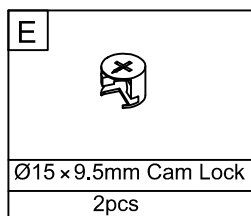
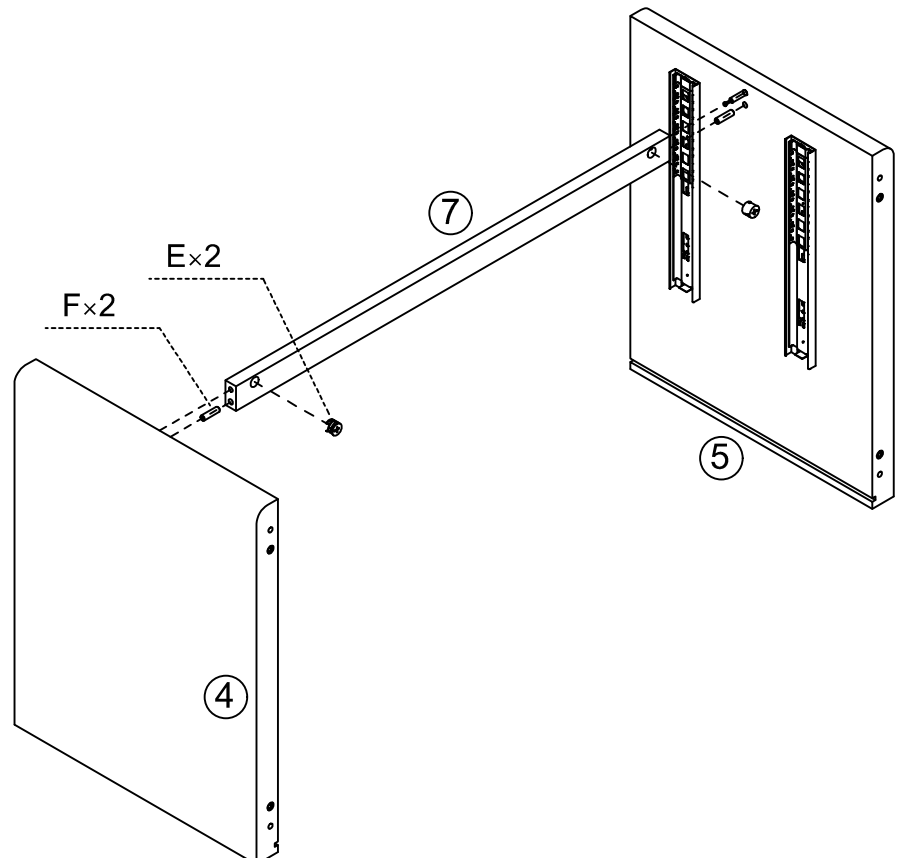


Step 10. Attach the plastic buckles.

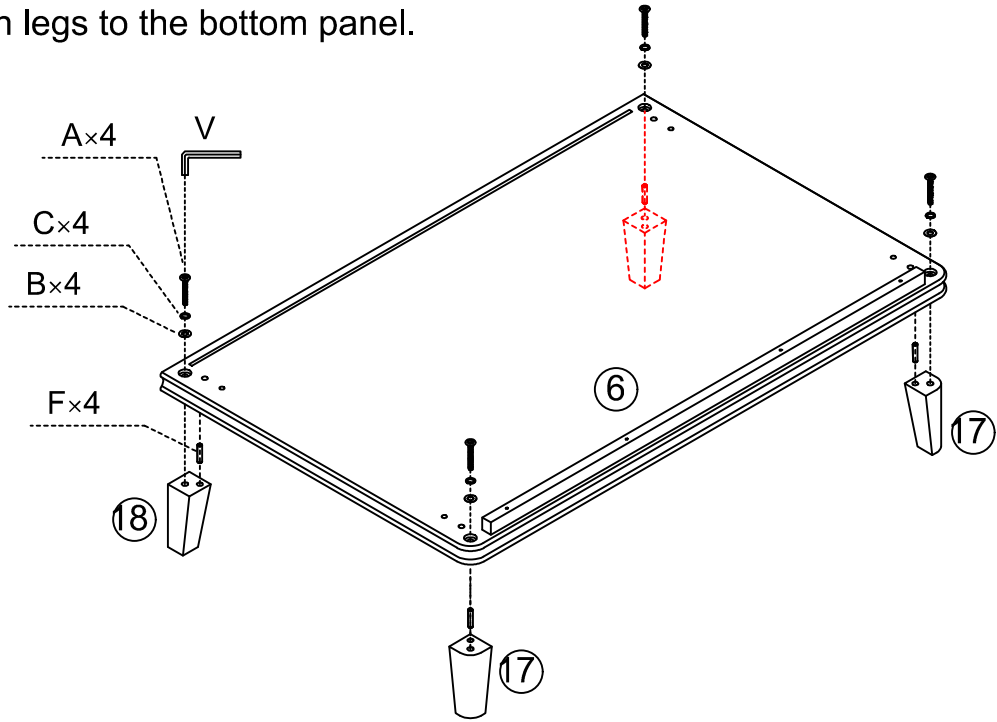



NB: Before tightening the plastic buckles, please ensure the frame is square


Step 11. Attach front support rail to side panels.





Step 12. Attach legs to the bottom panel.

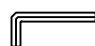


A	
M6 x 45mm Bolt	
4pcs	

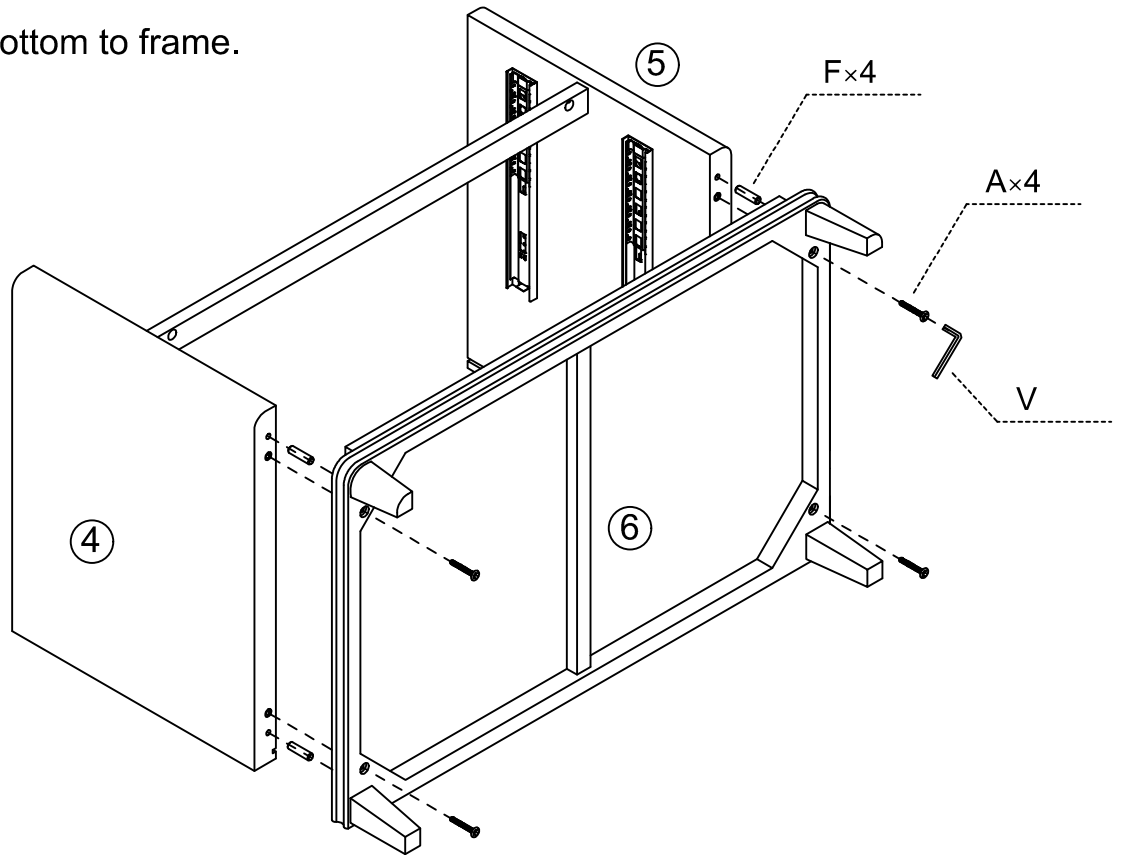
B	
Ø6 Flat Washer	
4pcs	


C	
Ø6 Spring Washer	
4pcs	


F	
Ø8x30mm Dowel	
4pcs	

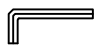
V	
M4 Allen key	
1pc	

Step 13. Attach bottom to frame.

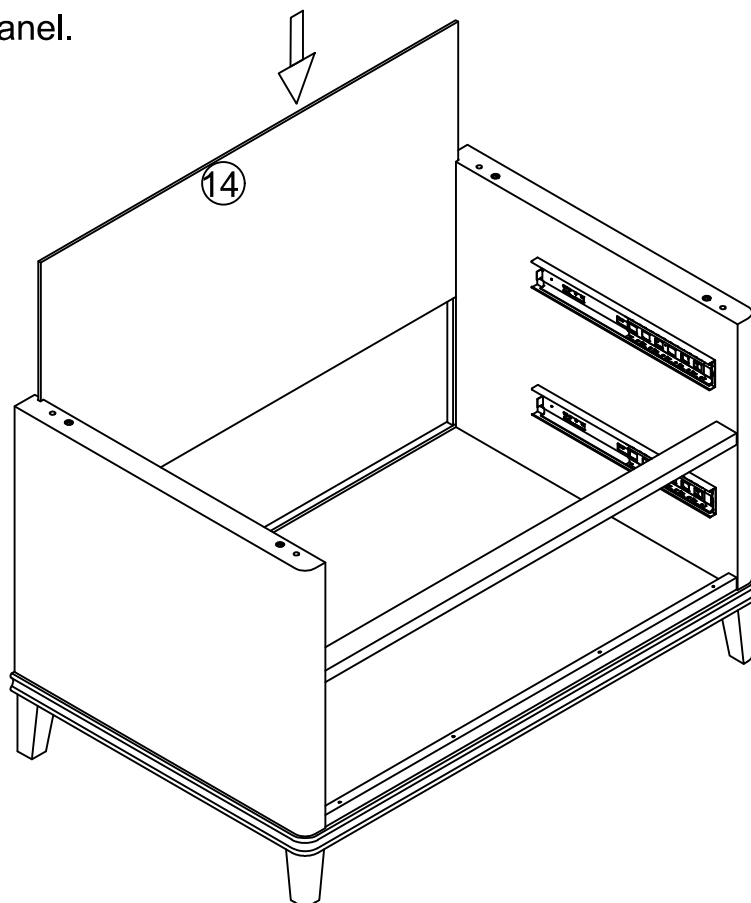


A	
M6 x 45mm Bolt	
4pcs	

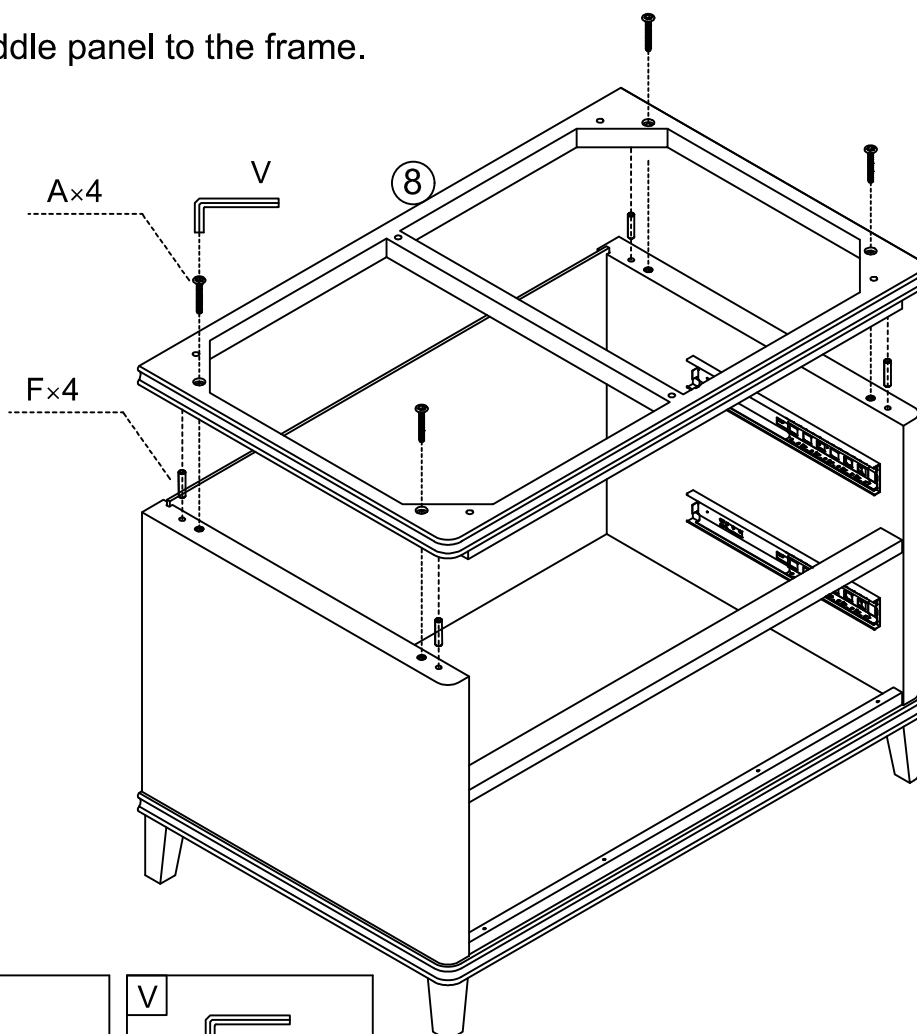
F	
Ø8x30mm Dowel	
4pcs	


V	
M4 Allen key	
1pc	


Step 14. Assemble back panel.

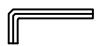


Step 15. Attach the middle panel to the frame.

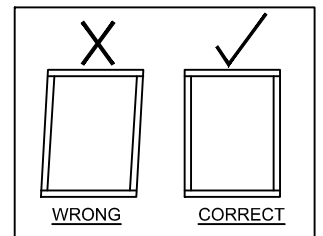
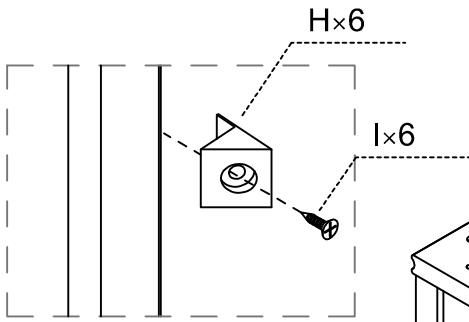


A	
M6 x 45mm Bolt	
4pcs	

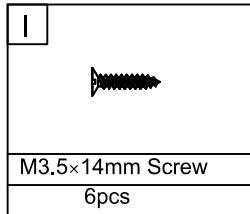
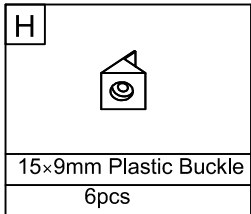
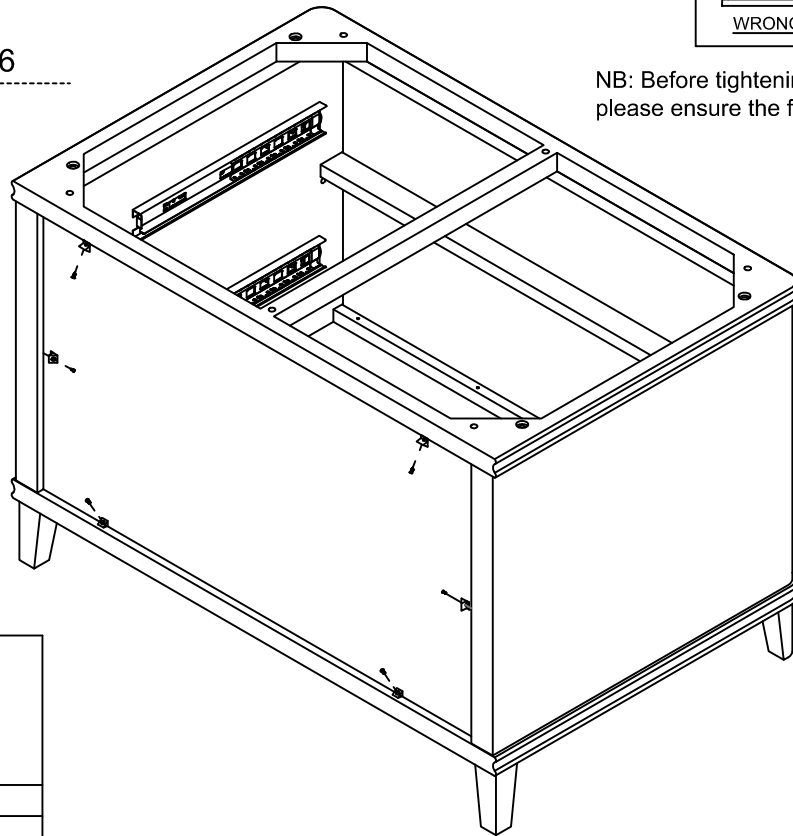
F	
Ø8x30mm Dowel	
4pcs	

V	
M4 Allen key	
1pc	

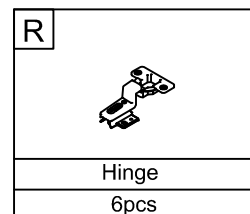
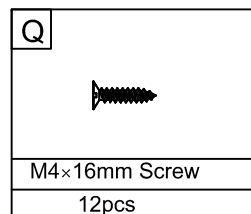
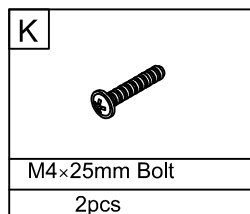
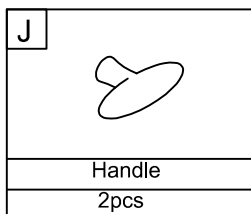
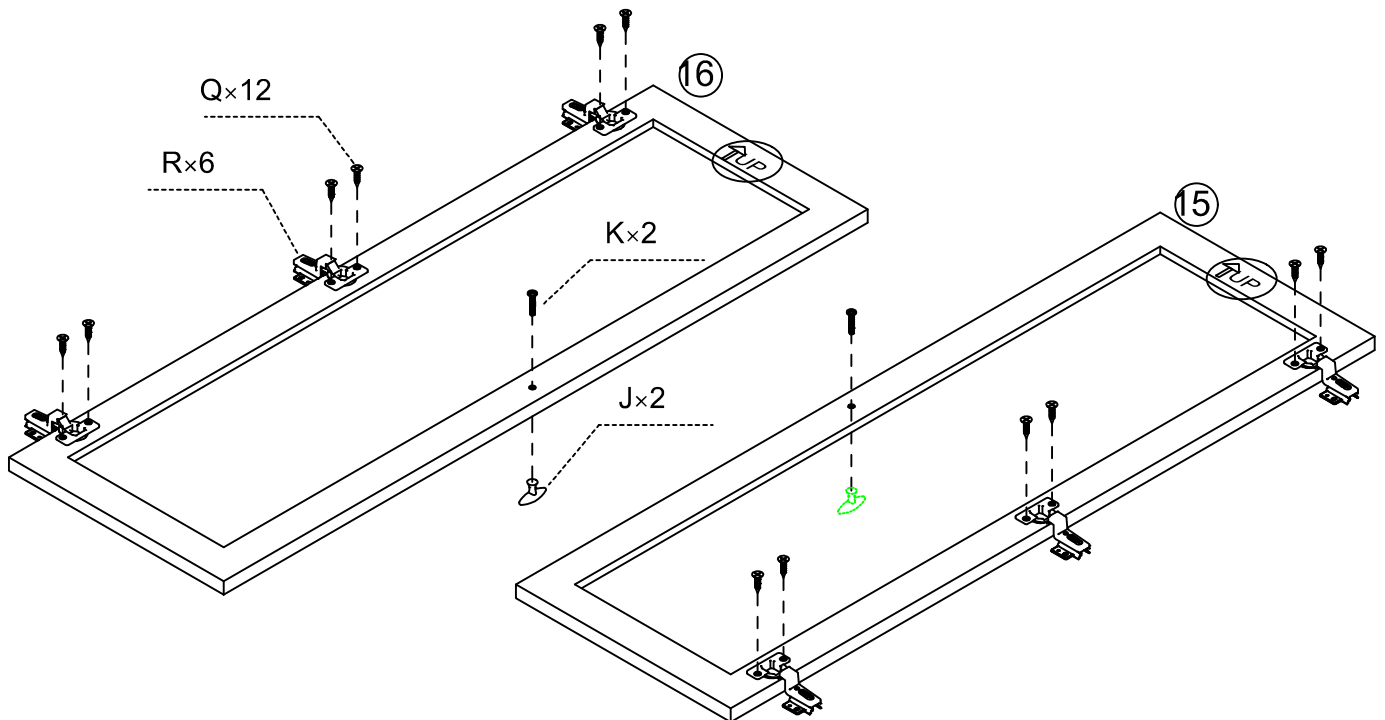
Step 16. Attach the plastic buckles.



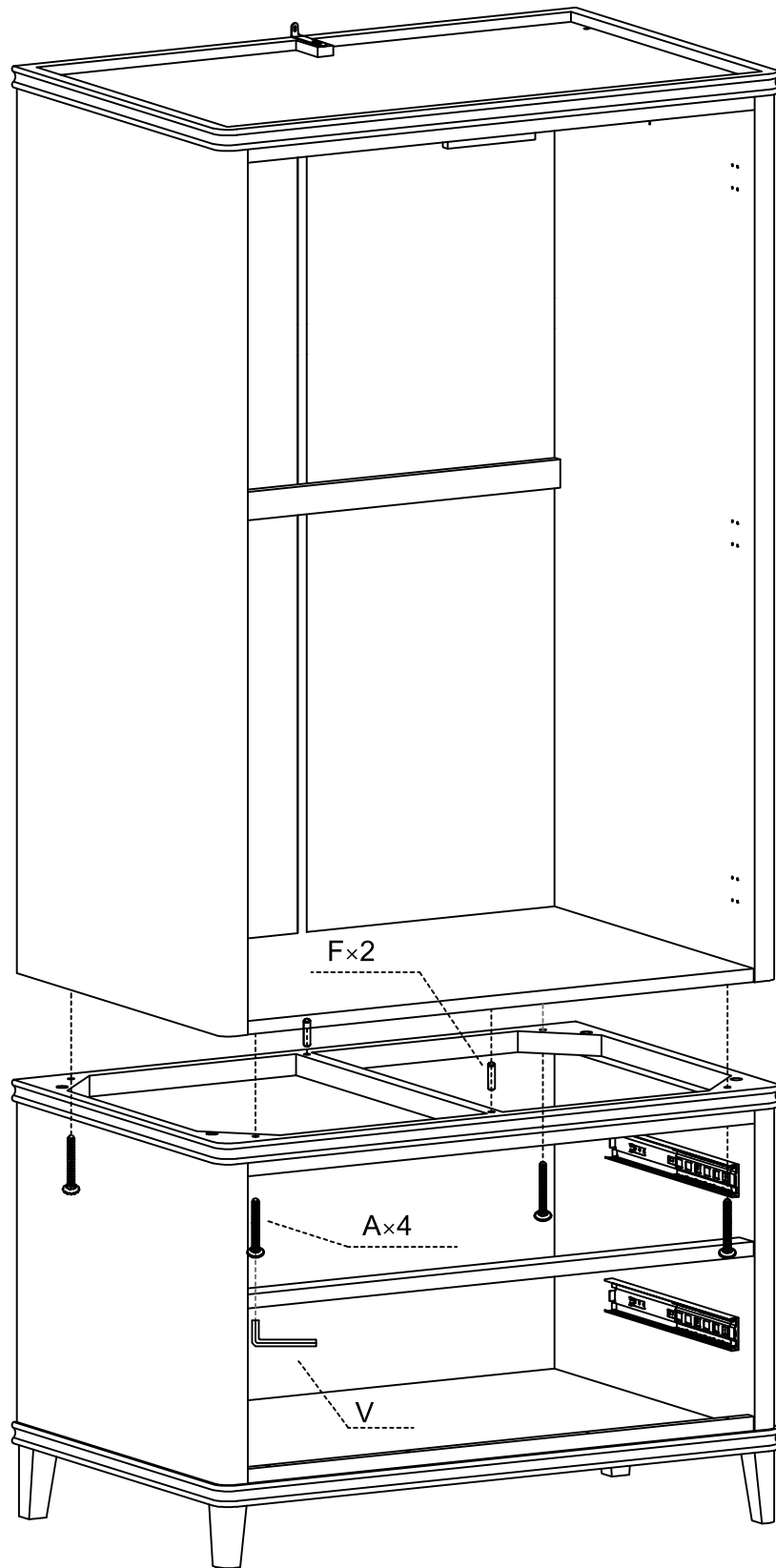
NB: Before tightening the plastic buckles, please ensure the frame is square





Step 17. Attach handles and hinges to the door.

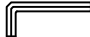


Step 18. Attach the top frame to bottom frame.

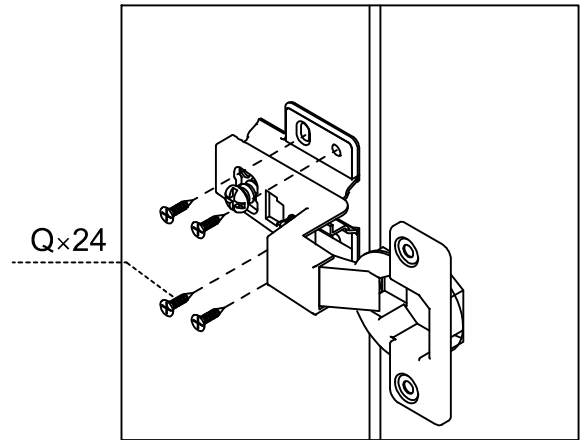
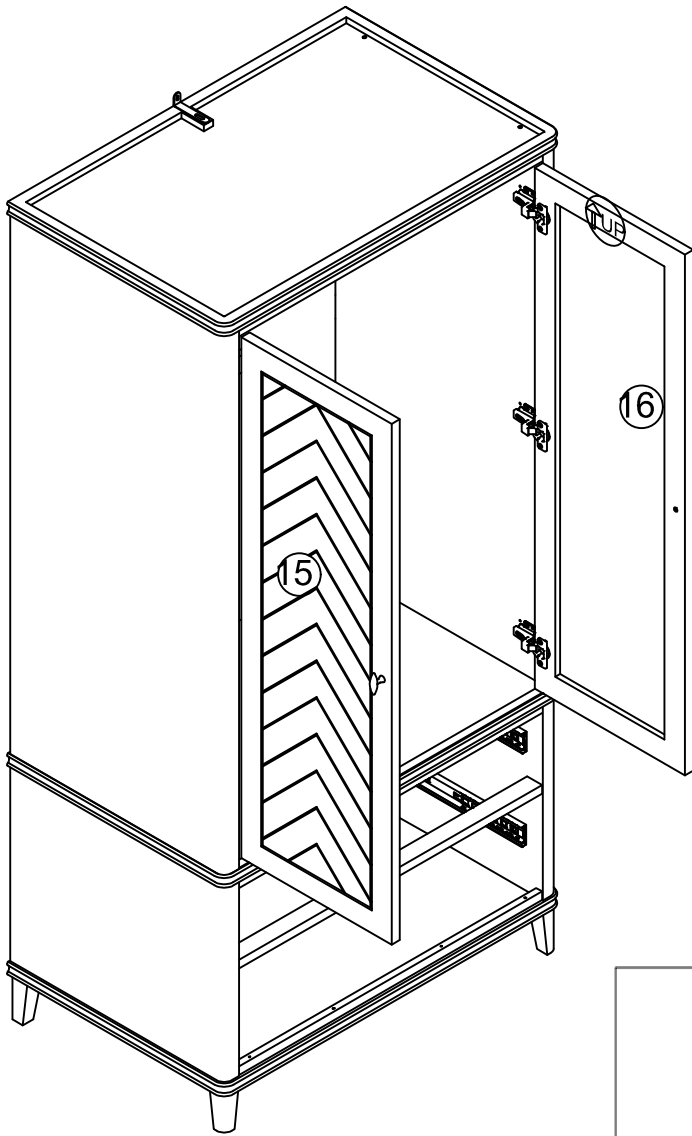


A

M6 x 45mm Bolt
4pcs

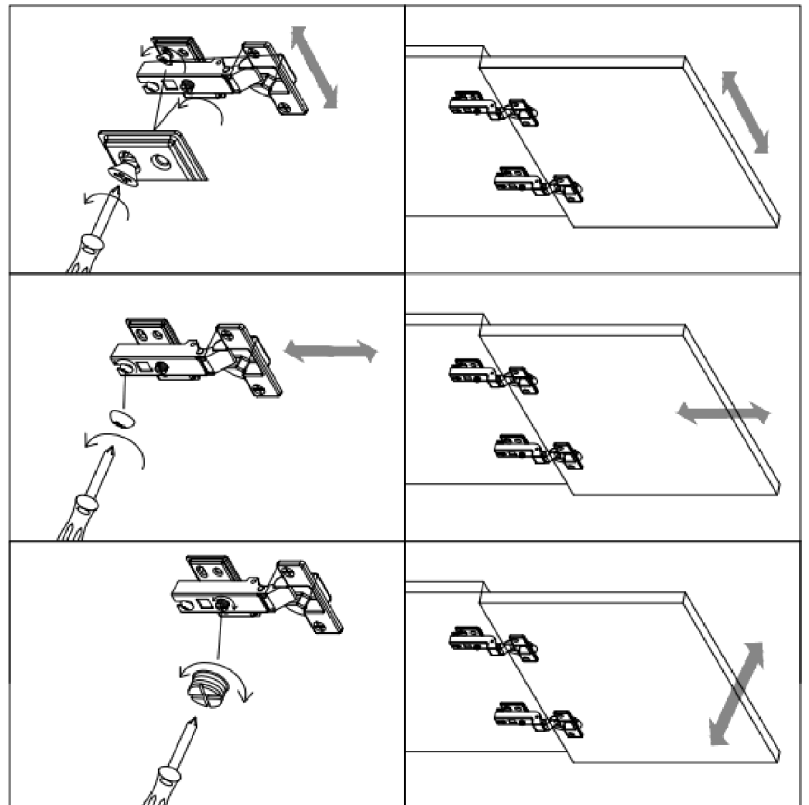
F

Ø8x30mm Dowel
2pcs


V

M4 Allen key
1pc

Step 19. Attach doors to frame.

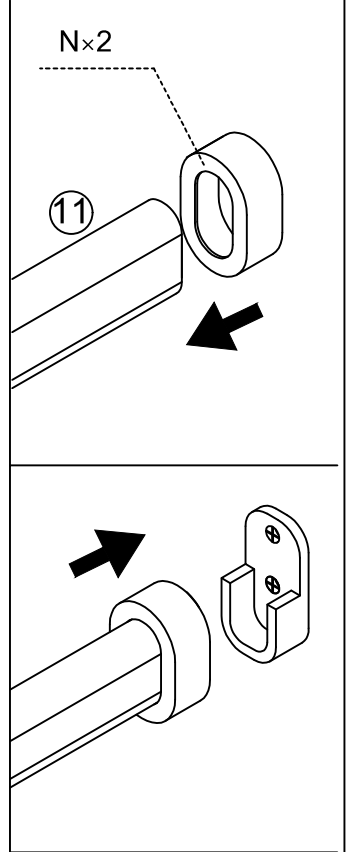
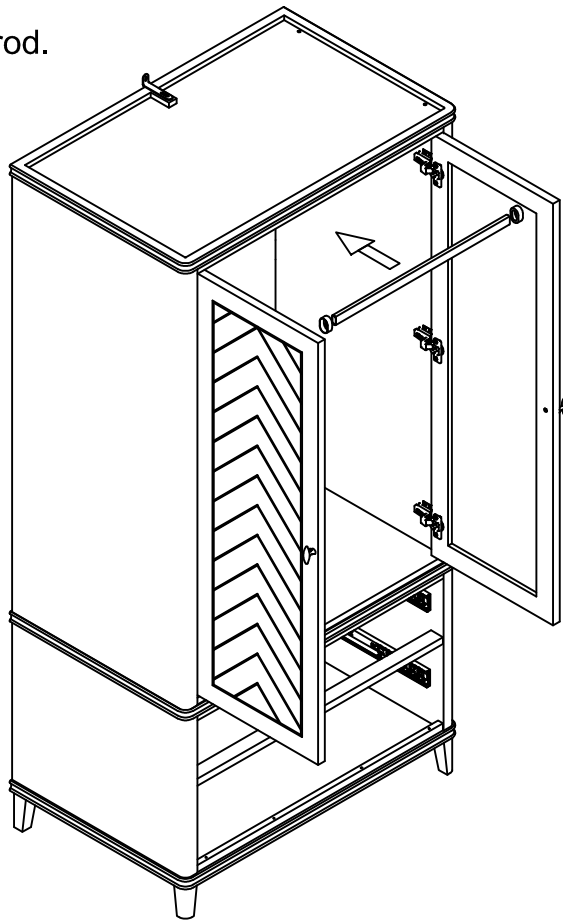



NB: Hinge Adjustment



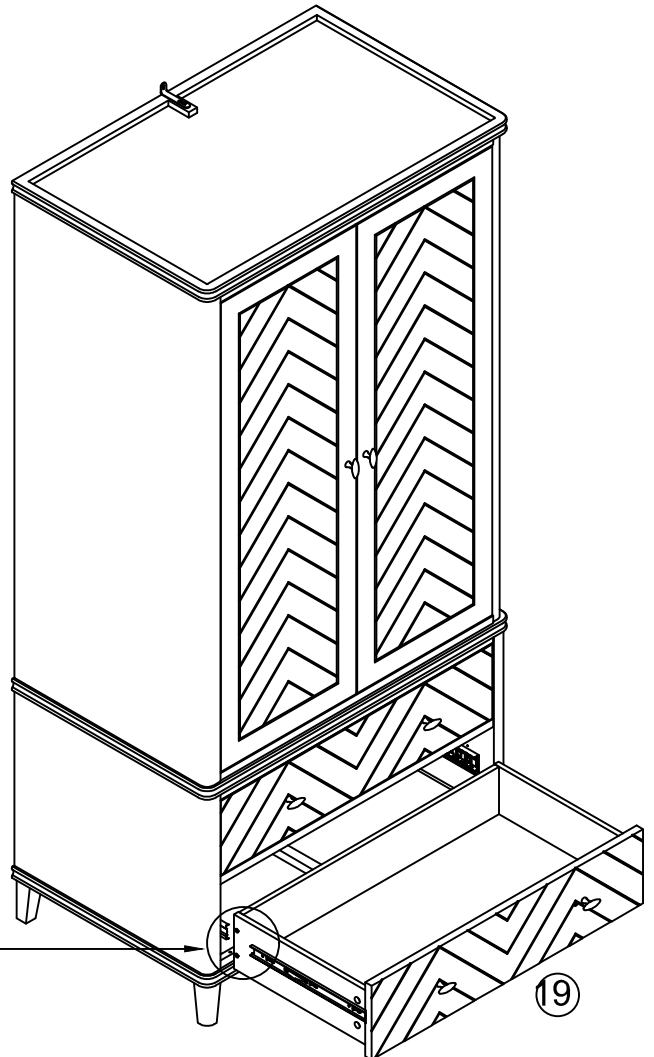
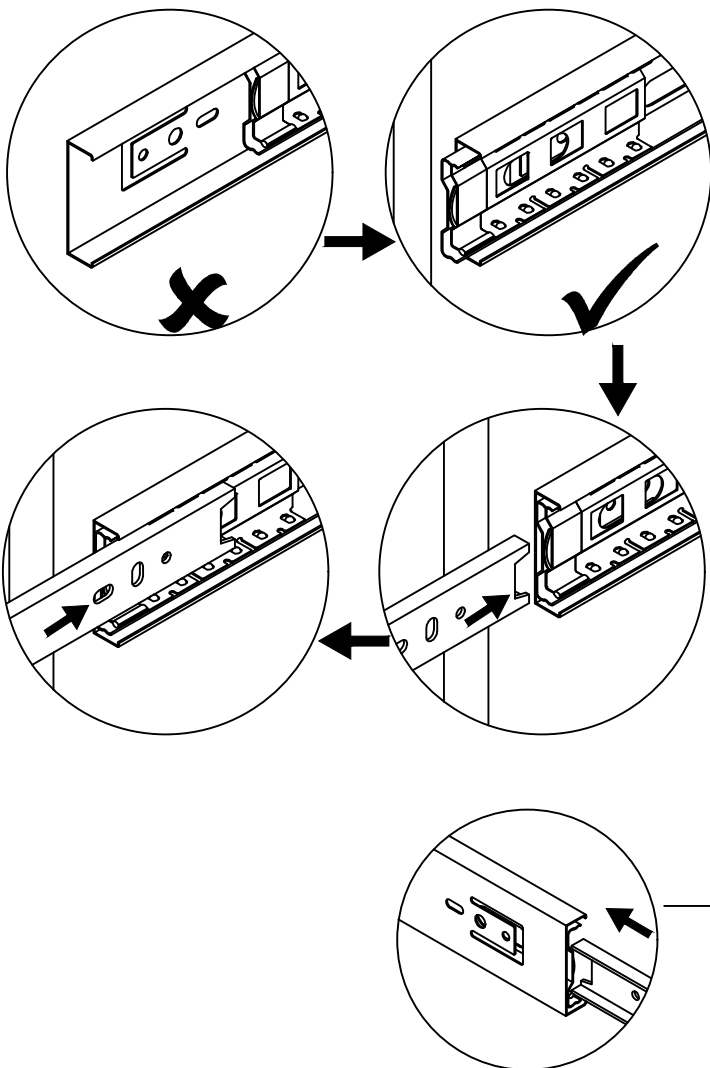
Q

M4x16mm Screw
24pcs

Step 20. Assemble the hanger rod.

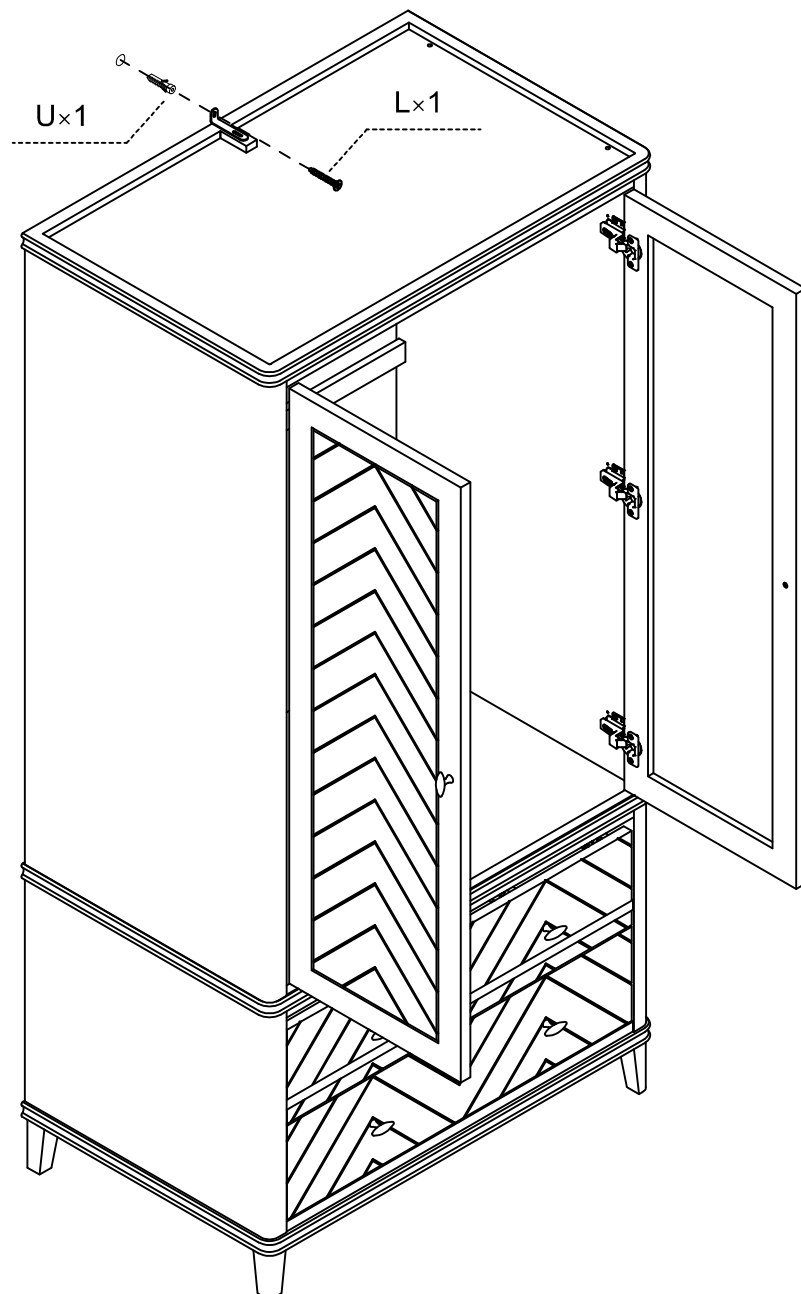


N

Rod Support Cap
2pcs

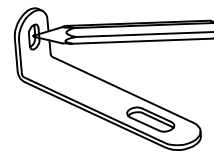
Step 21. Assemble drawers in the Wardrobe.



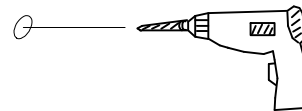
Step 22. Fix the L-shaped Bracket to the wall.



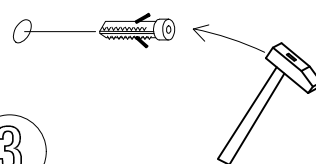
1



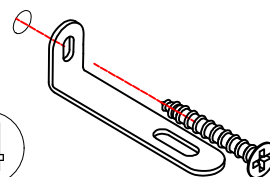
2



3



4



L



M4x35mm Screw

1pc

U



Ø6 x 30mm Wall Plug

1pc