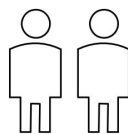


Dartmouth Bed Frame

Single



Up to 0.5 hours
assembly time



Two person
assembly

V1.0

Important

Assembly Tip

Before you begin, it's best to identify all of the parts and fitting to build your bed frame. We advise laying these out on the floor to check you have everything, and to familiarise yourself with all of the parts and fitting before building.

Top Tip

We recommend that you build your new bed frame in the room you'd like it to be located. This will help prevent any risk of damage to the frame whilst moving it.

Safety and Care

It's important to ensure children and animals are kept away from the assembly area, as there are small components used in the bed frame which could present a choking hazard. All plastic and wrapping materials should also be kept away from children and animals to prevent any risk of suffocation.

Help and Support

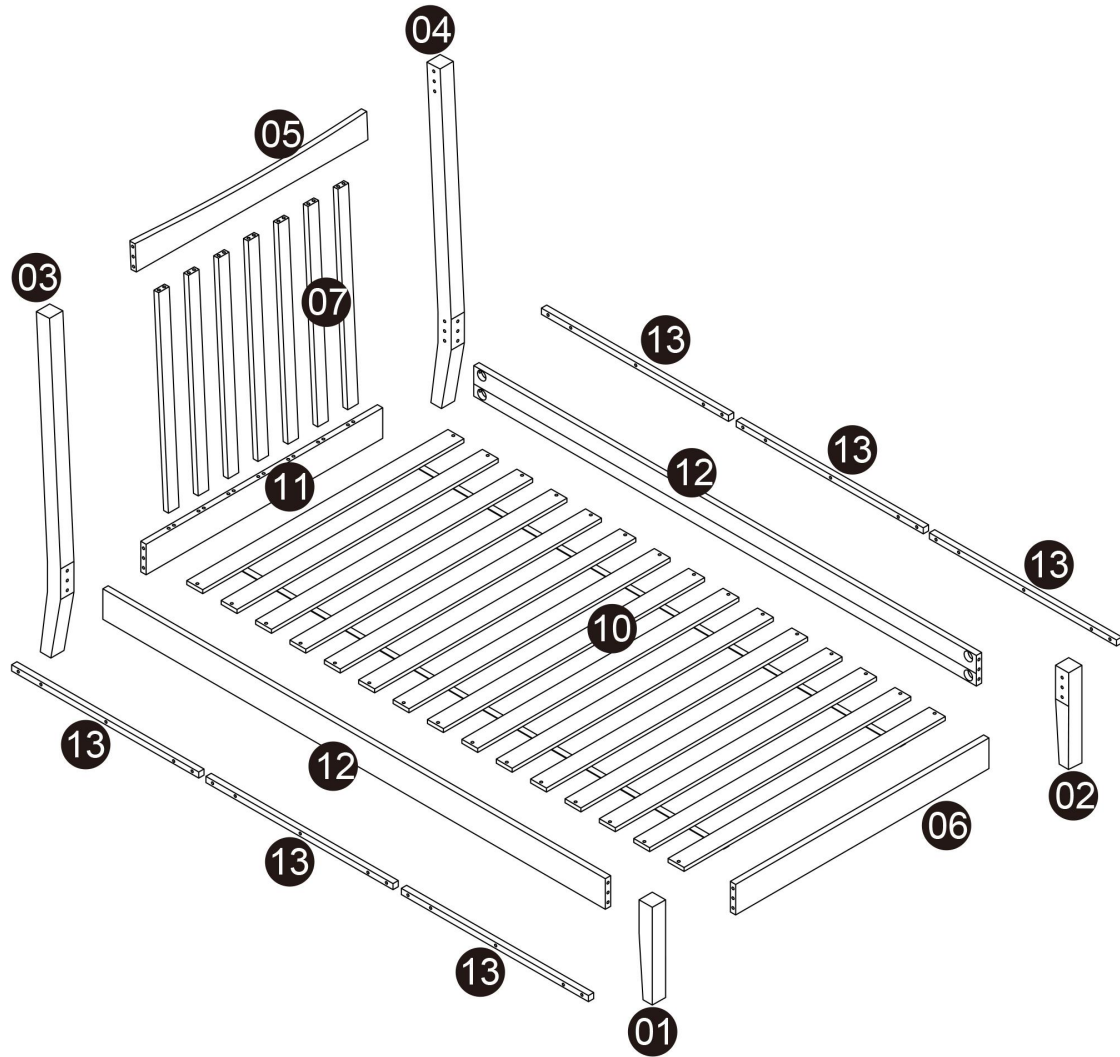
Please contact our customer service team on 0113 519 0311 if you have any questions or issues with your purchase.

Recycling

Please ensure that packaging is disposed of in a safe and environmentally friendly way, and recycle where possible. Please keep your assembly instructions safe to refer back to in the future.

Parts

Before you begin building your bed frame, please take a moment to read through the instructions and make sure that you have all the relevant parts listed on parts check list.


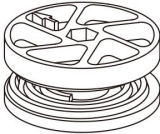

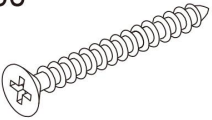
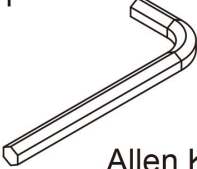



Parts Check List


No.	Part List	Qty	Box No	No.	Part List	Qty	Box No
1	Left Front Leg	1	1	7	Headboard Slats	7	1
2	Right Front Leg	1	1	10	Slats	15	1
3	Left Back Leg	1	1	11	Headboard	1	1
4	Right Back Leg	1	1	12	Side Rails	2	1
5	Top Headboard Rail	1	1	13	Strips	6	1
6	Footboard	1	1				

Fittings

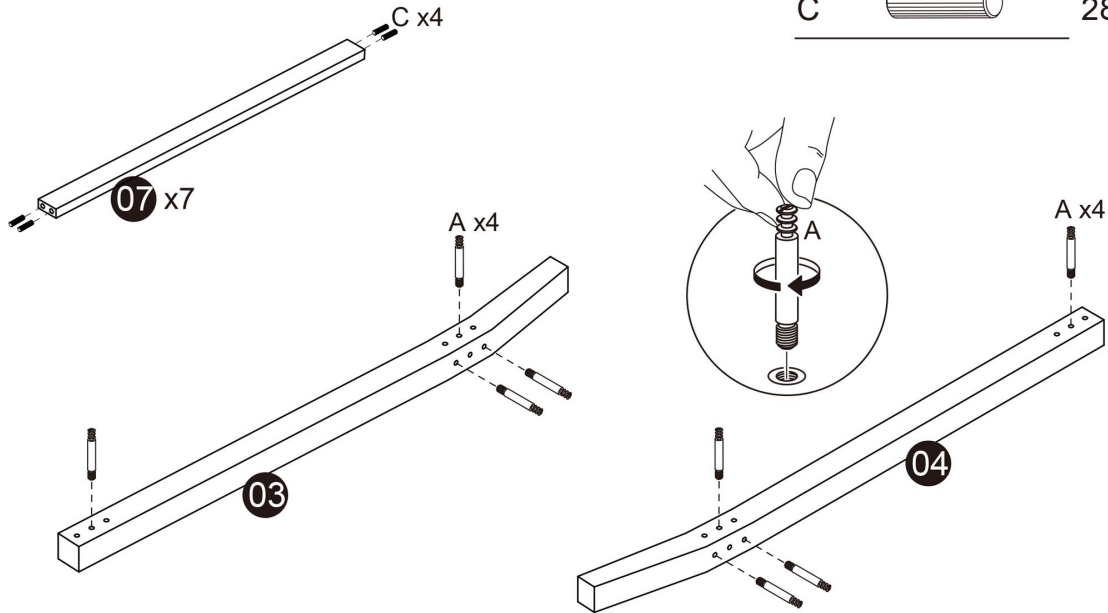
Please check you have all the fitting listed below with you product.

<p>A x14</p>  <p>Cam Bolts</p>	<p>B x14</p>  <p>Cam Locks</p>	<p>C x44</p>  <p>Dowel Ø8x30mm</p>
<p>D x60</p>  <p>Screw Ø4x30mm</p>	<p>G x1</p>  <p>Allen Key M6</p>	<p>H x14</p>  <p>Cover Sticker</p>

Step 1 Attach wood dowels and CAM dowels.


A  8 pcs

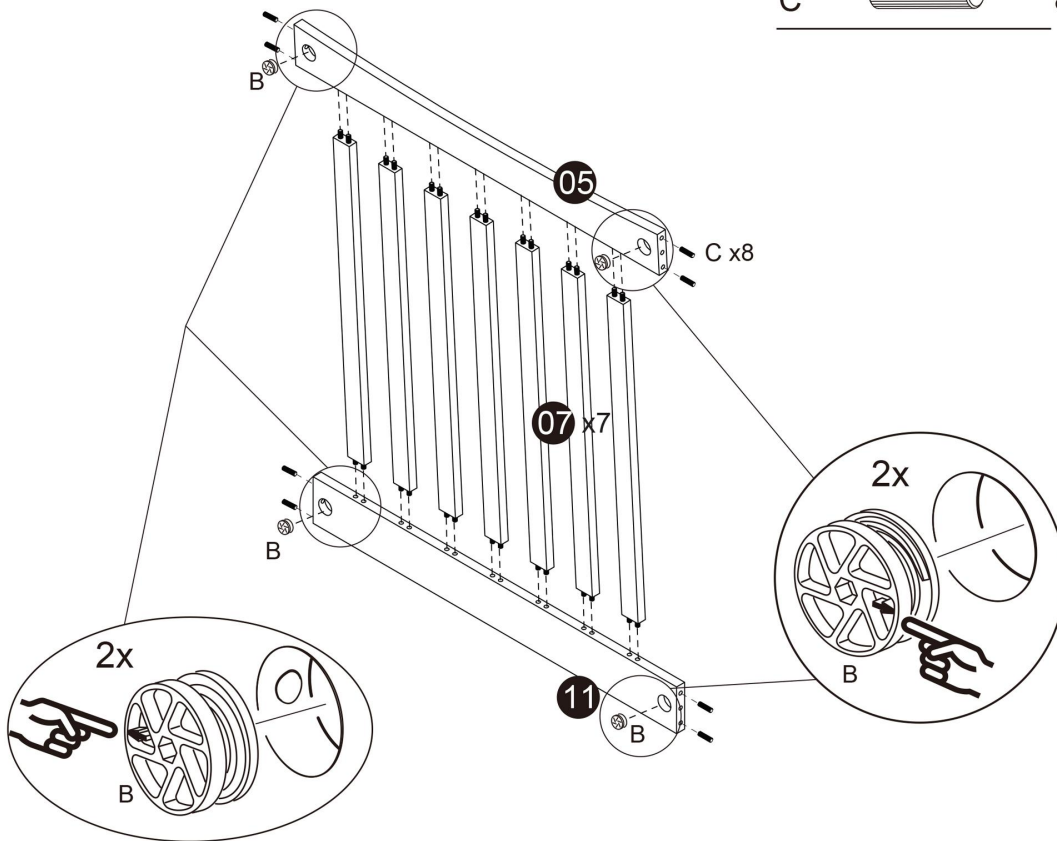
C  28 pcs



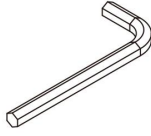
Step 2 Attach Headboard Slats to the Top Headboard Panel and the Headboard.

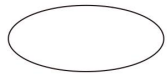
B  4 pcs

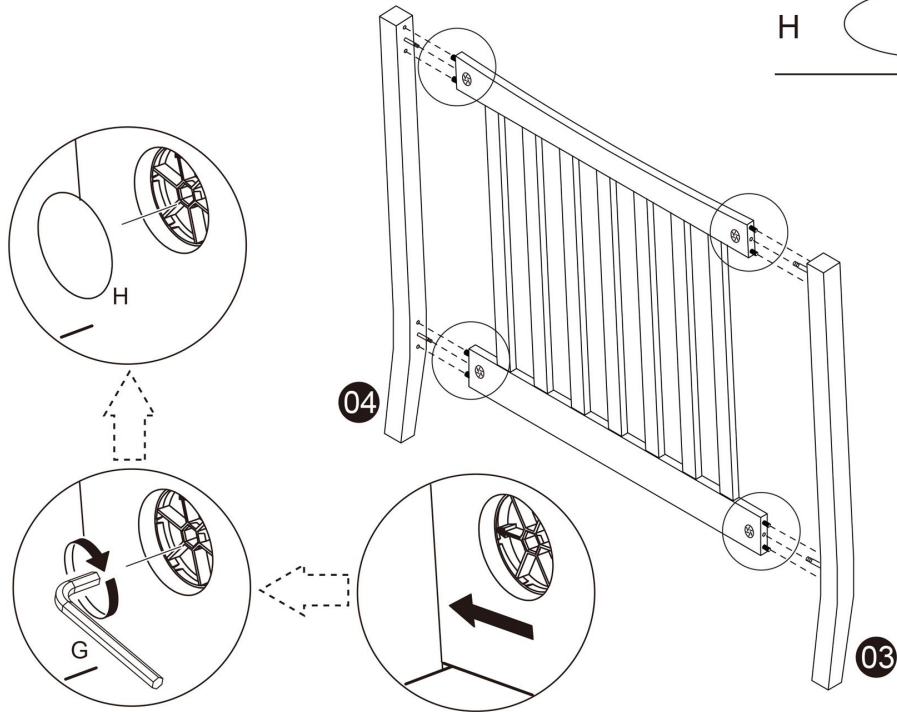
C  8 pcs




Step 3 Attach the Legs to the Headboard.

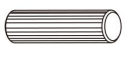
- G  1 pc


- H  4 pcs

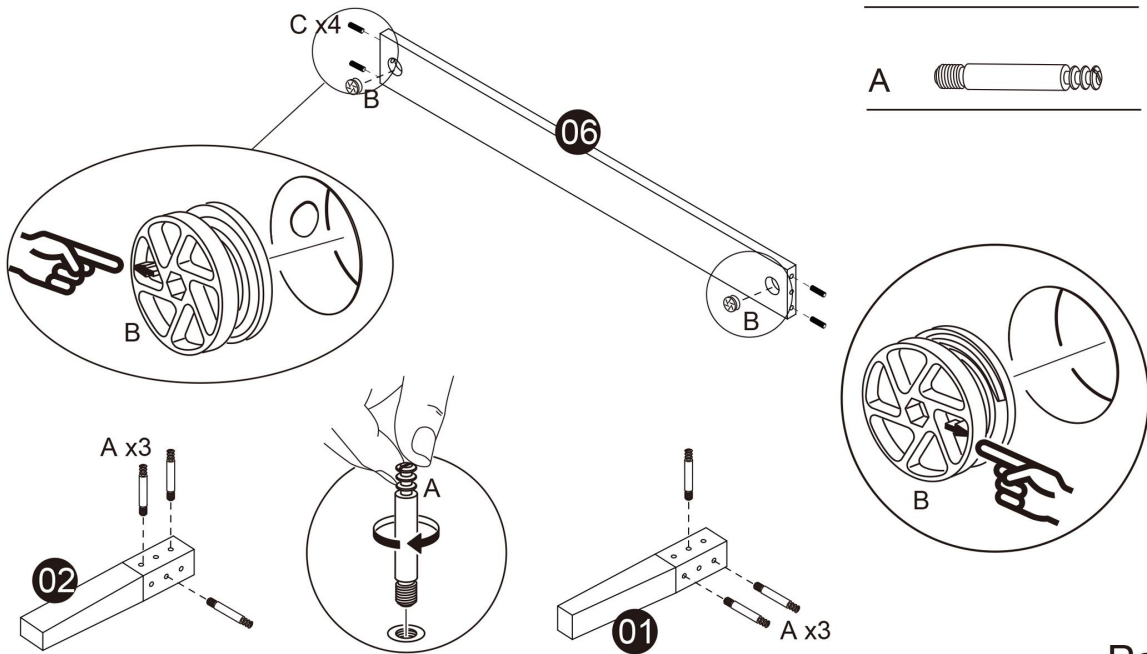


Step 4 Attach Wood Dowels and CAM dowels.

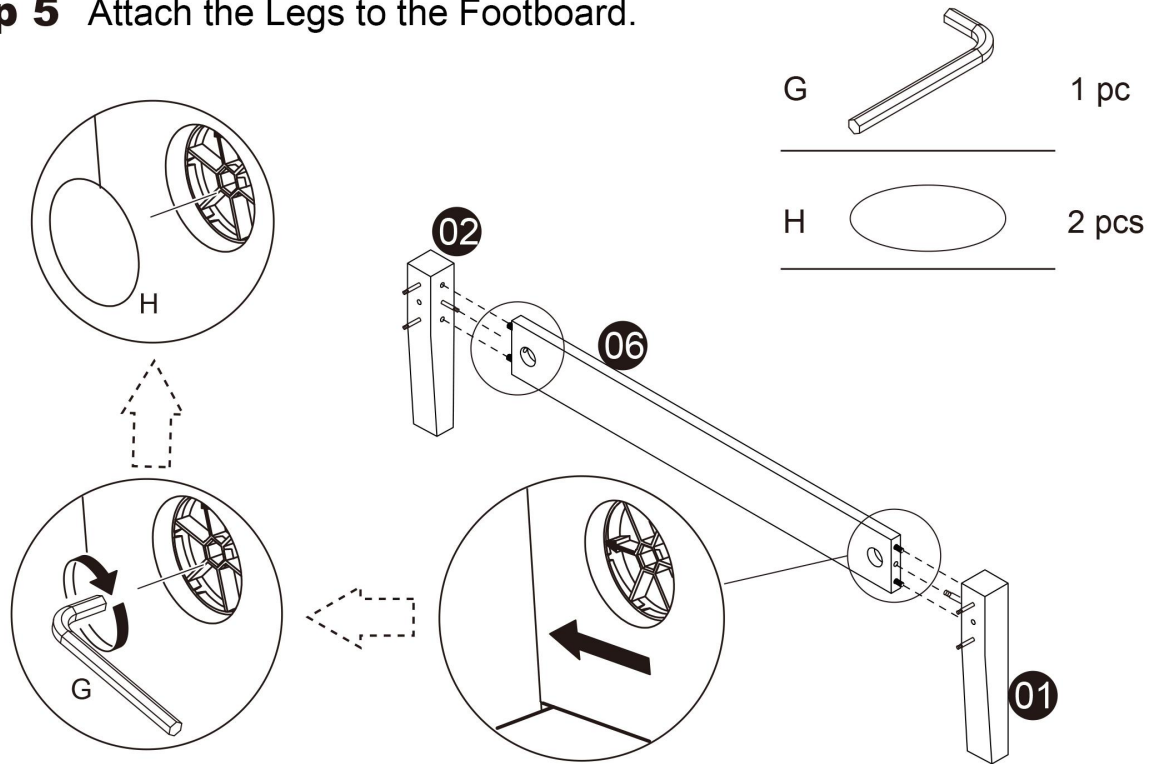
- B  2 pcs

- C  4 pcs

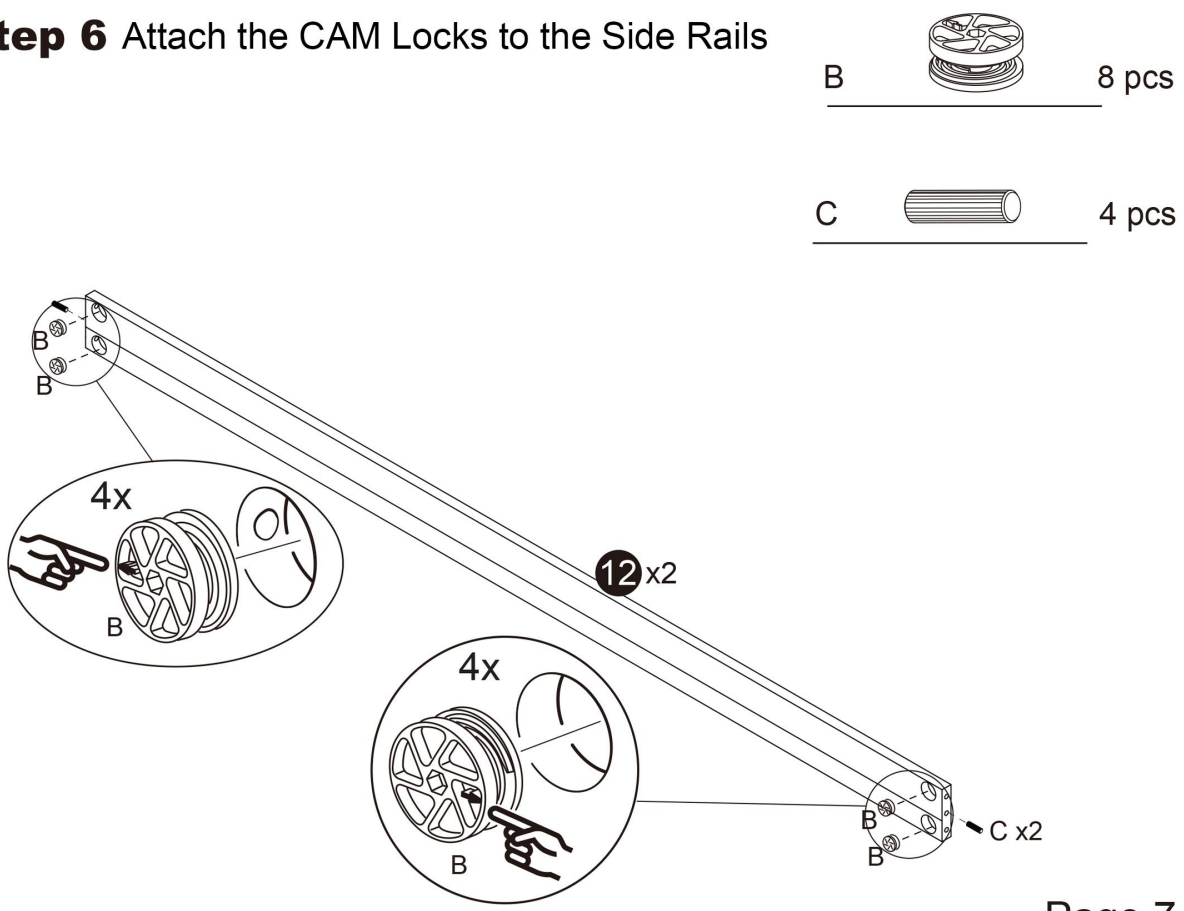
- A  6 pcs



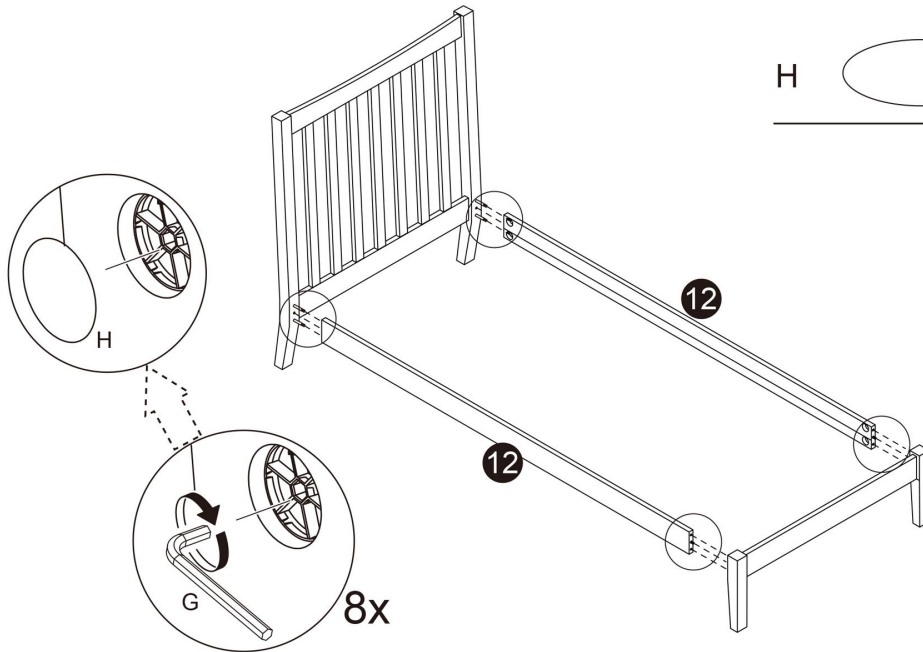
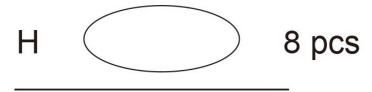
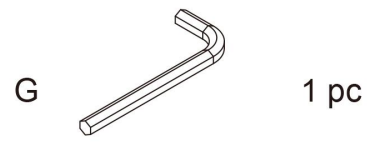
Step 5 Attach the Legs to the Footboard.



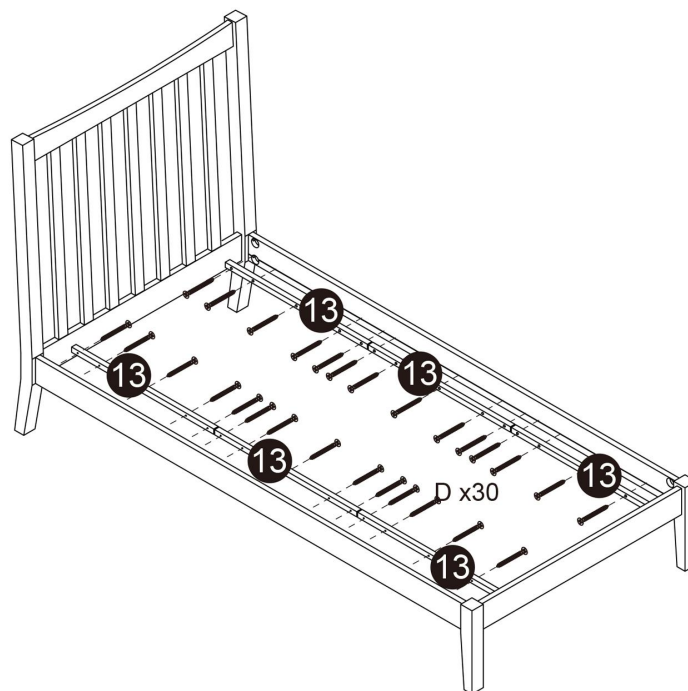
Step 6 Attach the CAM Locks to the Side Rails



Step 7 Attach the Side Rails to the Headboard and Footboard.

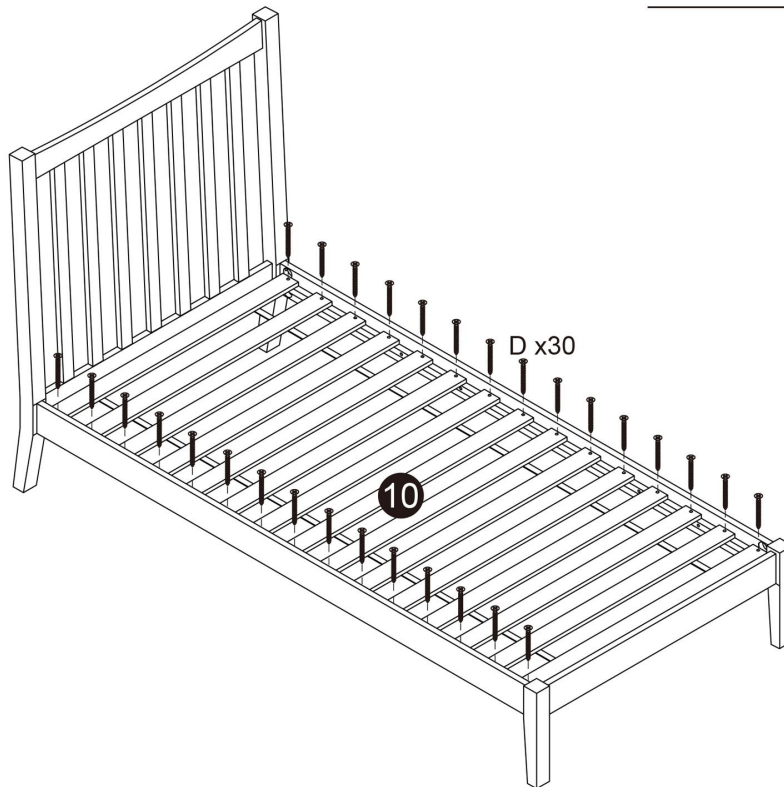


Step 8 Attach the Strips



Step 9 Attach the Slats to the Bed Frame.

D  30 pcs



Care and Maintenance

Here are some good tips to keep your new bed frame in tip-top condition.

Cleaning

To clean your new bed frame, we advise using a damp cloth if the fabric is dusty or a low suction vacuum. Do not use abrasive chemicals or bleach as this may damage the product.

Checking and Moving

Periodically, we recommend you check that the screws and fixtures haven't become loose over time. To move your bed frame, we recommend lifting it where possible, as dragging or pushing it could cause damage to the legs or flooring.