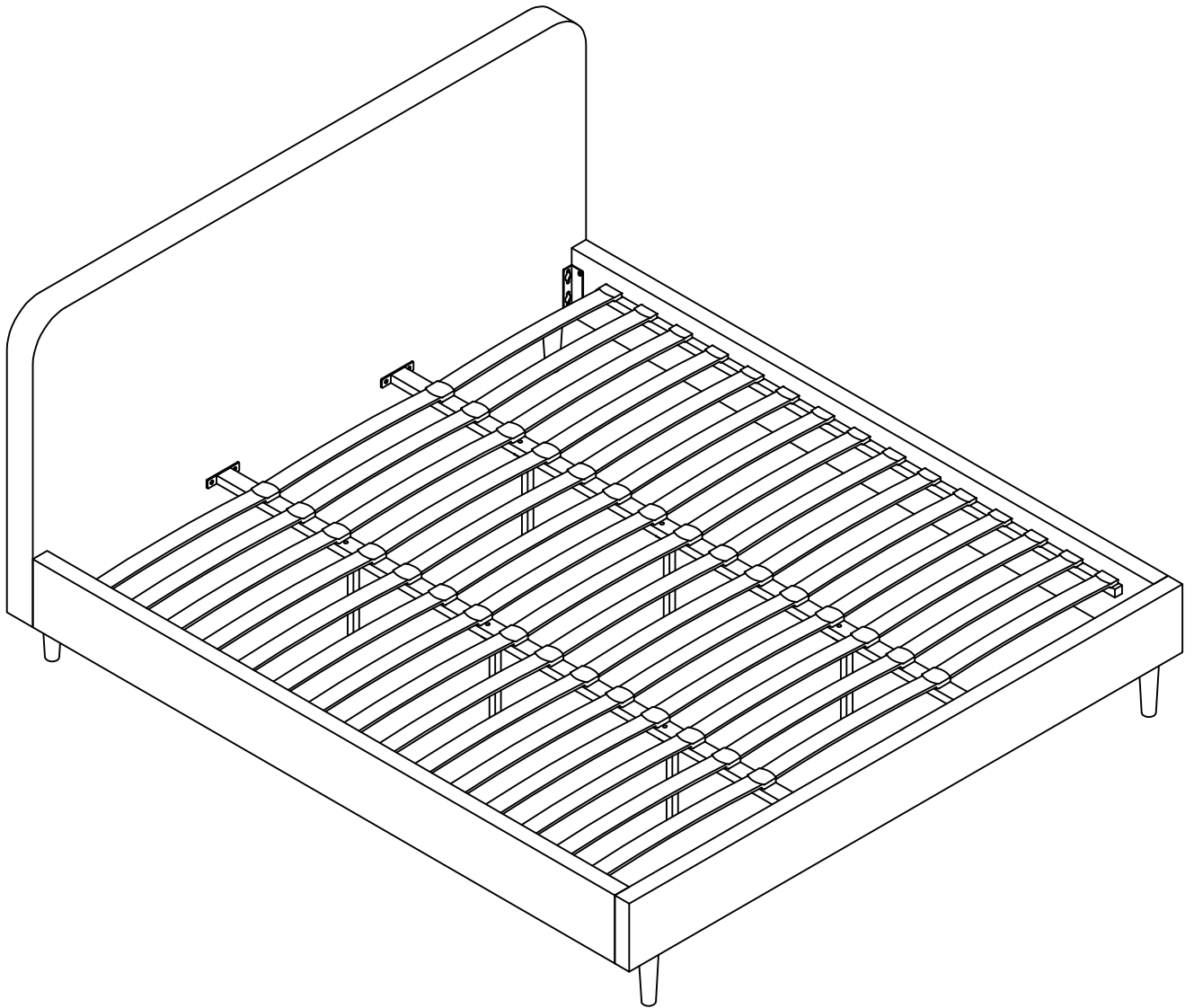
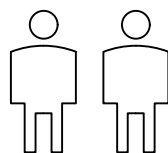


Ascot Bed Frame

Super King



Up to 2 hours
assembly time



Two person
assembly

V4.0

Important

Assembly Tip

Before you begin, it's best to identify all of the parts and fittings to build your bed frame. We advise laying these out on the floor to check you have everything, and to familiarise yourself with all of the parts and fittings before building.

Top Tip

We recommend that you build your new bed frame in the room you'd like it to be located. This will help prevent any risk of damage to the frame whilst moving it.

Safety and Care

It's important to ensure children and animals are kept away from the assembly area, as there are small components used in this bed frame which could present a choking hazard. All plastic and wrapping materials should also be kept away from children and animals to prevent any risk of suffocation.

Help and Support

Please contact our customer service team on 0113 519 0311 if you have any questions or issues with your purchase.

Recycling

Please ensure that packaging is disposed of in a safe and environmentally friendly way, and recycle where possible. Please keep your assembly instructions safe to refer back to in the future.

Parts Check List




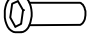
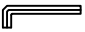
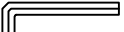
NO.	Parts List	Qty	Box No
1	Headboard	1pc	Box 1
2	Footboard	1pc	Box 2
3	Side Rail	2pcs	Box 2
4	Leg	4pcs	Box 2
5	Central Support Rail	2pcs	Box 2

NO.	Parts List	Qty	Box No
6	Central Support Leg	6pcs	Box 2
7	Slat	45pcs	Box 2
8	Side Slat Cap	30pcs +1 extra	Box 2
9	Centre Slat Cap	30pcs +1 extra	Box 2



Pre-assembled Parts Check List

10	Side Support Rail	2pcs	Box 2
11	Angle Iron Bracket - LH	2pcs	Box 2
12	Angle Iron Bracket - RH	2pcs	Box 2

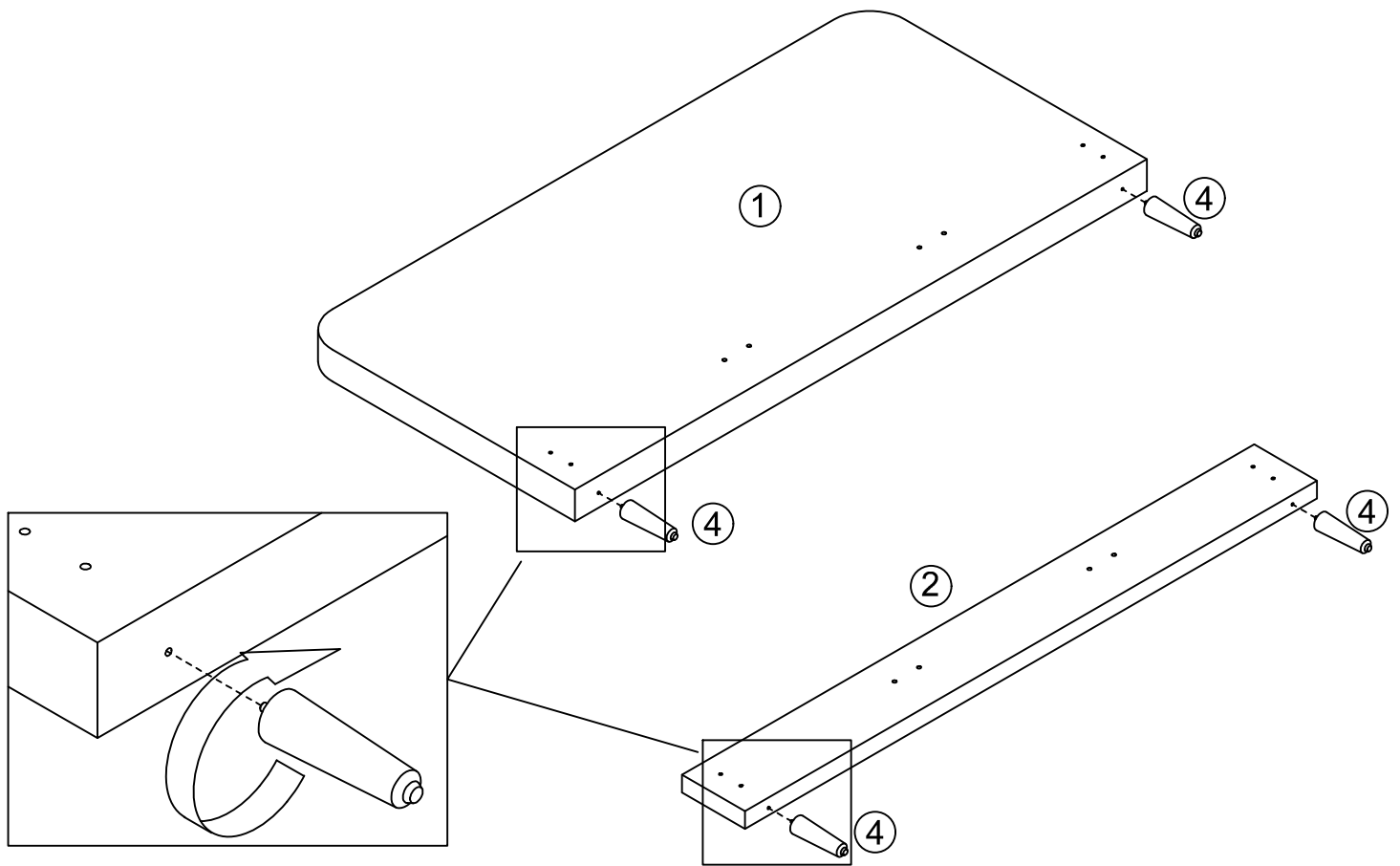
Fittings

 (A) M8 30mm Bolt 8pcs+1 extra	 (B) M8 25mm Bolt 8pcs+1 extra	 (C) M6 15mm Bolt 12pcs+1 extra	 (D) M6 15mm "T" Nut 12pcs+1 extra
 (E) M4 Allen key 2pcs	 (F) M5 Allen key 1pc		

Pre - assembled Fitting

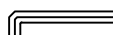
 (A) M8 30mm Bolt 8pcs	 (G) M8 50mm Bolt 10pcs
--	---

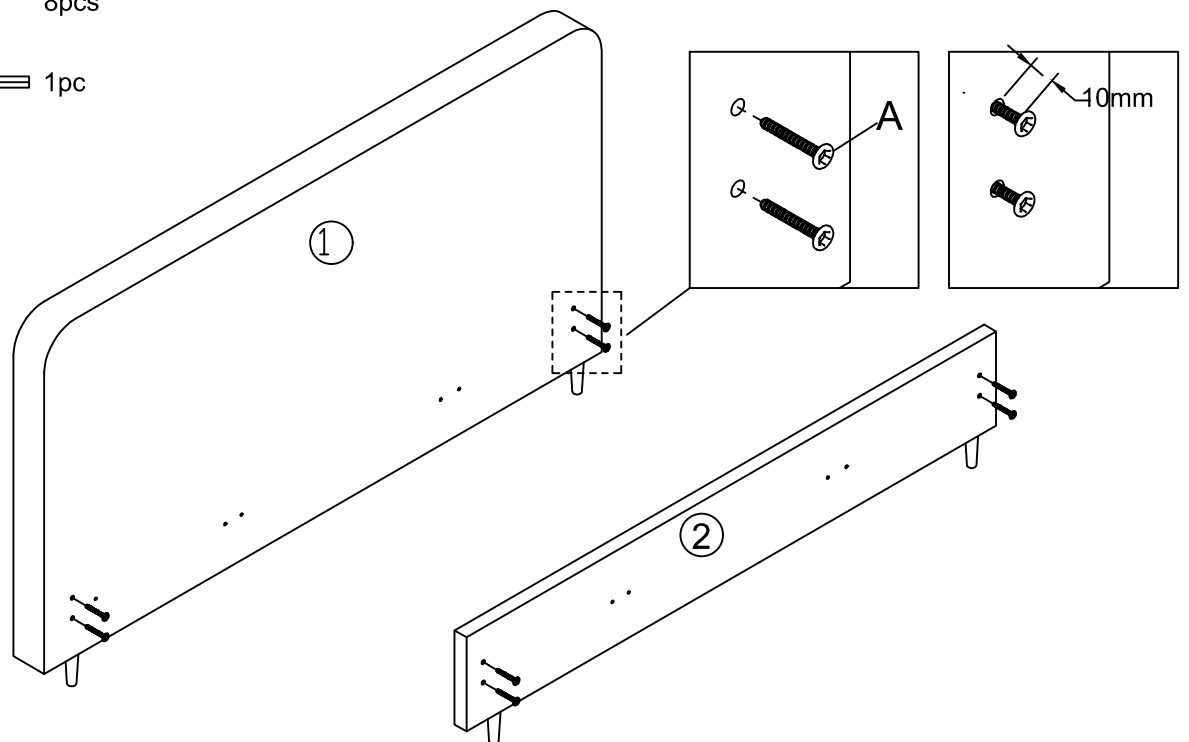
Step 1: Screwing the Legs to the Headboard & Footboard



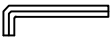
Step 2: Attaching the Bolts to the Headboard & Footboard

A  8pcs

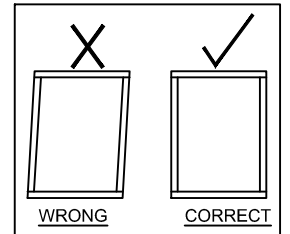
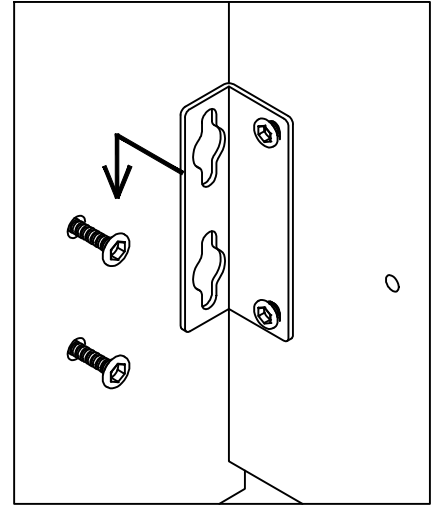
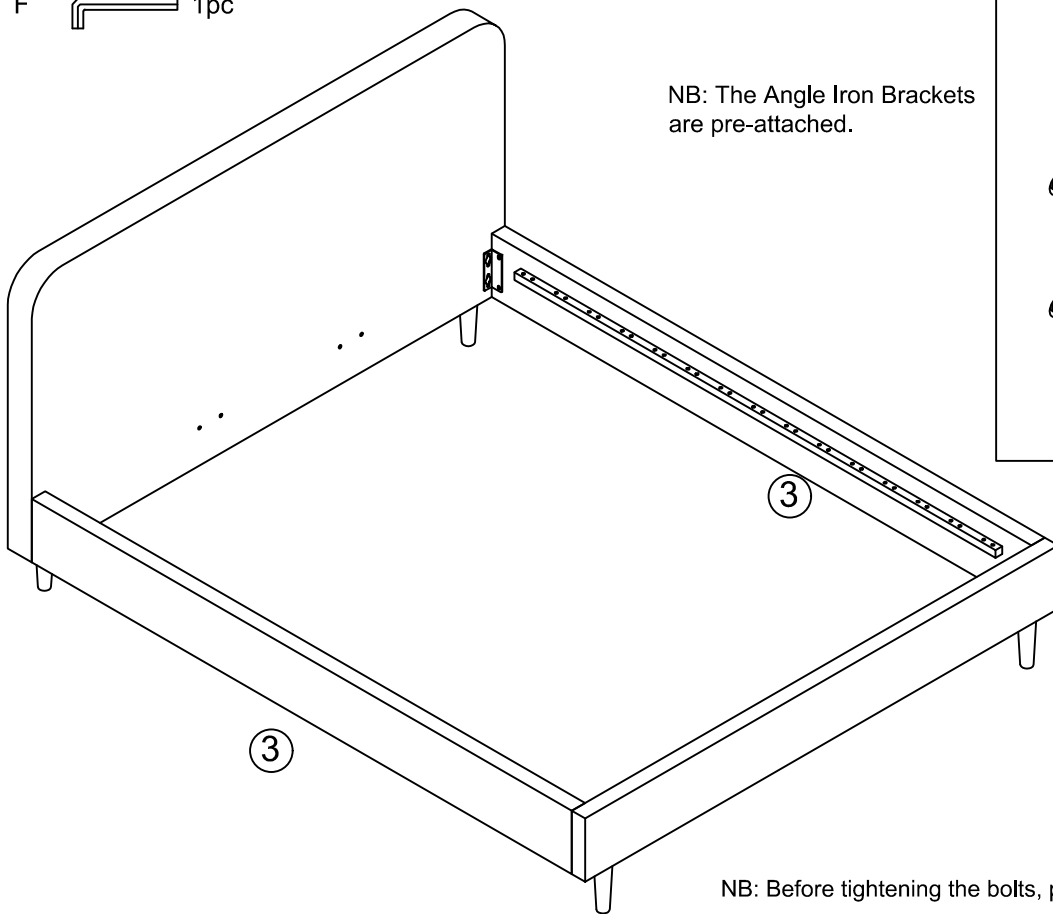
F  1pc



Step 3: Attaching the Side Rails to the Headboard & Footboard

F  1pc

NB: The Angle Iron Brackets are pre-attached.

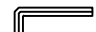


NB: Before tightening the bolts, please ensure the bed frame is square

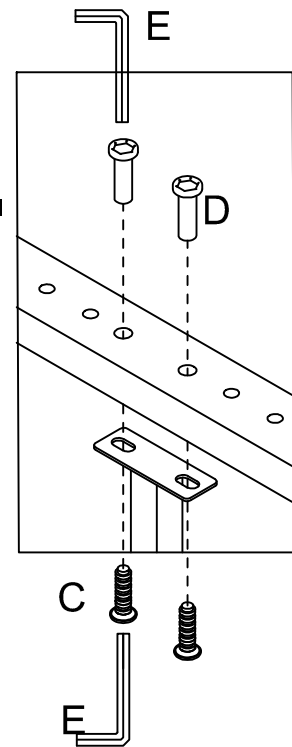
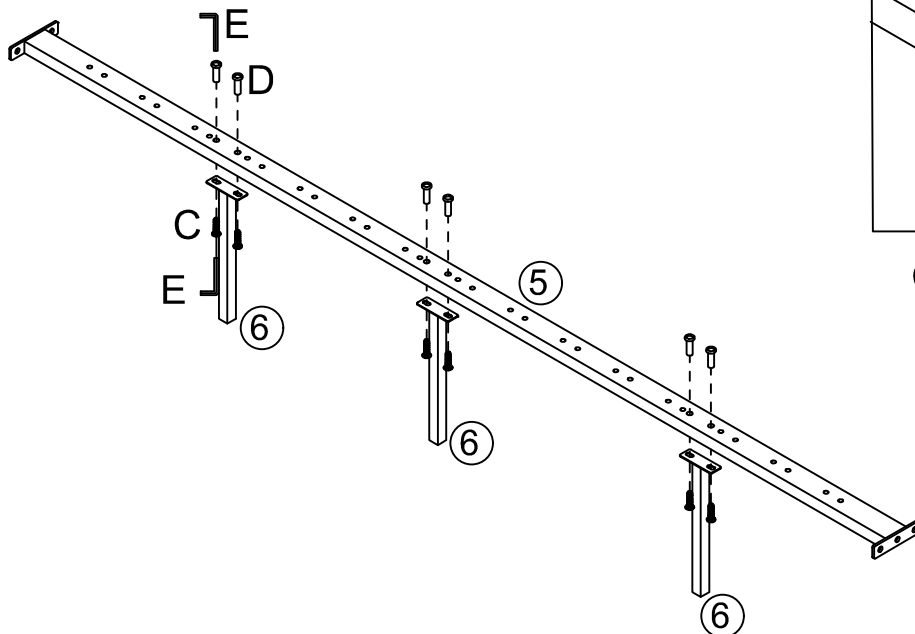
Step 4: Attaching the Central Support Legs to the Central Support Rail

C  12pcs

D  12pcs

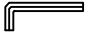
E  2pcs

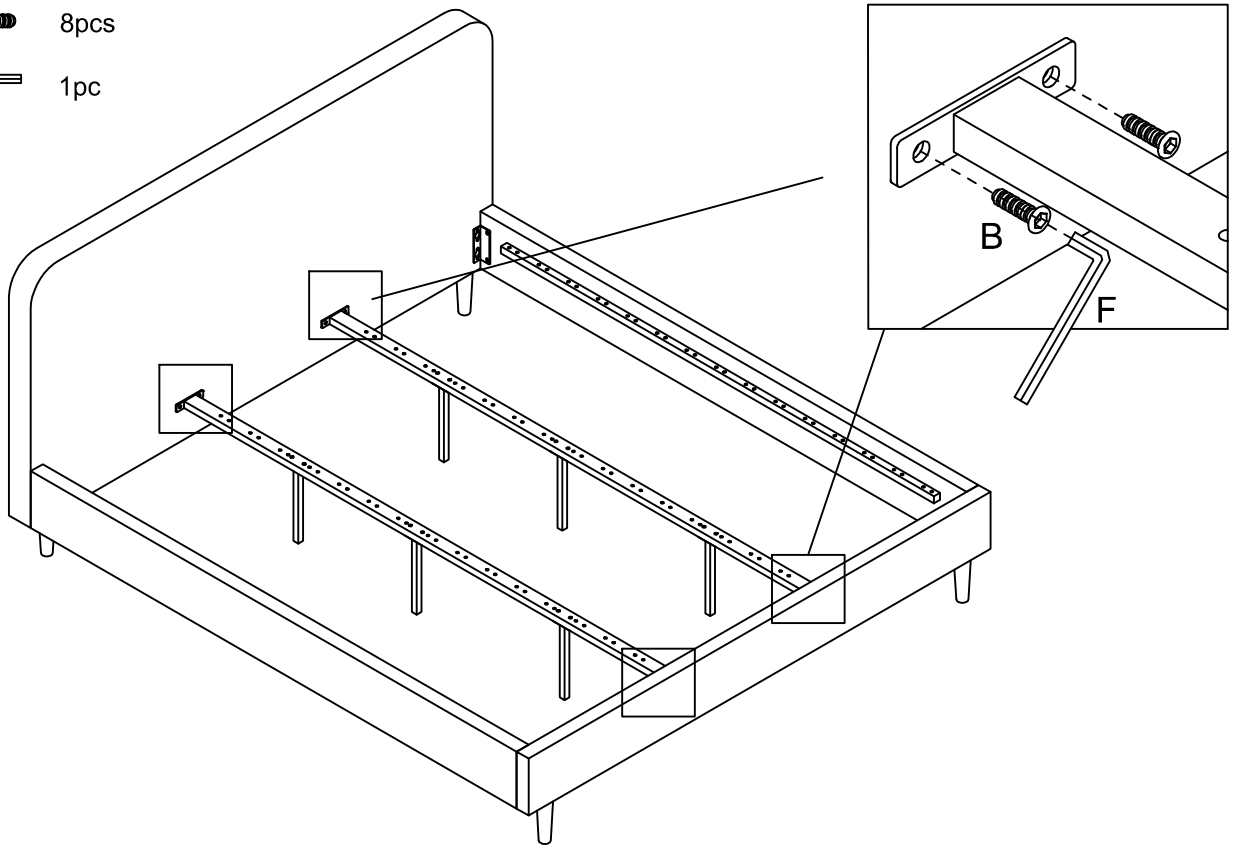
NB: Repeat this step for the other Central Support Rail



Step 5: Attaching the Central Support Rail to the Headboard & Footboard

B  8pcs

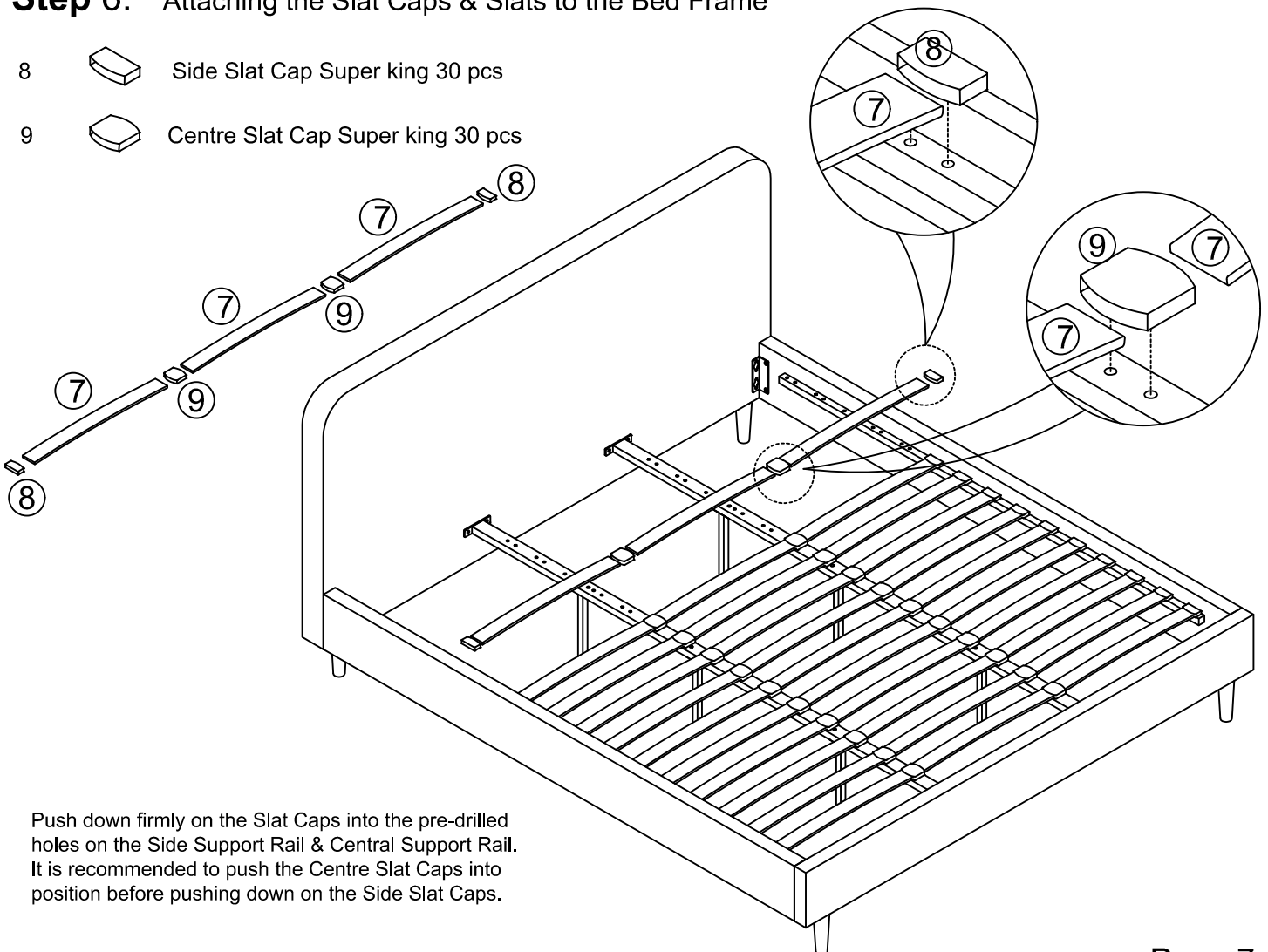
F  1pc



Step 6: Attaching the Slat Caps & Slats to the Bed Frame

8  Side Slat Cap Super king 30 pcs

9  Centre Slat Cap Super king 30 pcs



Push down firmly on the Slat Caps into the pre-drilled holes on the Side Support Rail & Central Support Rail. It is recommended to push the Centre Slat Caps into position before pushing down on the Side Slat Caps.

Care and Maintenance

Here are some good tips to keep your new bed frame in tip-top condition.

Cleaning

To clean your new bed frame, we advise using a damp cloth if the fabric is dusty or a low suction vacuum. Do not use abrasive chemicals or bleach as this may damage the product.

Checking and Moving

Periodically, we recommend you check that the screws and fixtures haven't become loose over time. To move your bed frame, we recommend lifting it where possible, as dragging or pushing it could cause damage to the legs or flooring.

Fabric

Please note, depending on the lighting, positioning and surroundings of your room, the shade of the fabric will appear differently. Over a period of time, the fabric may also lighten or fade slightly due to light exposure.