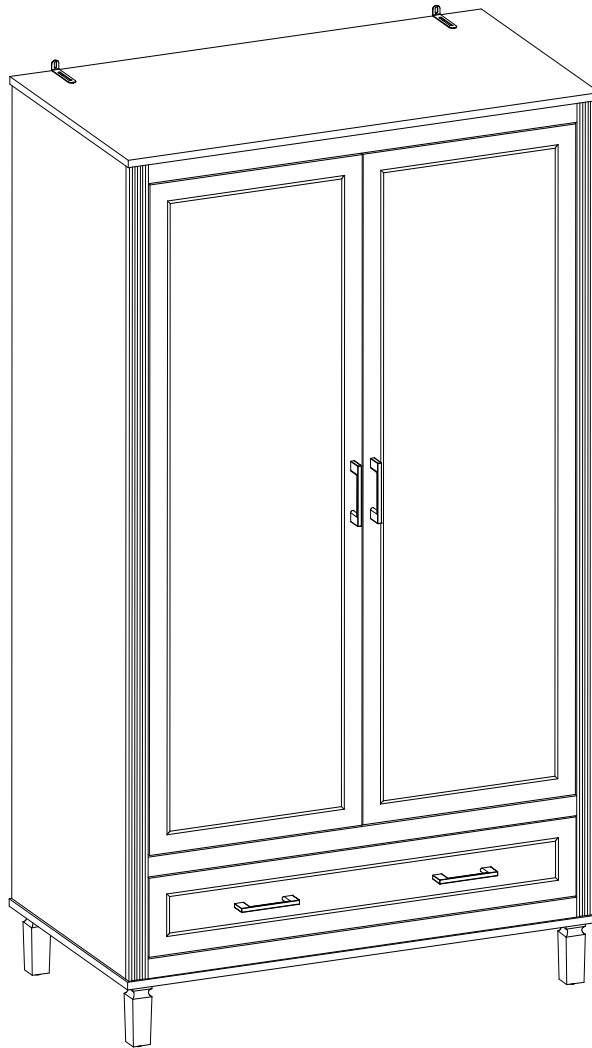
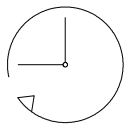


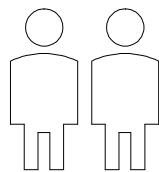
2 Door Wardrobe



THIS INSTRUCTION BOOKLET CONTAINS IMPORTANT SAFETY INFORMATION.
PLEASE READ AND KEEP FOR FUTURE REFERENCE.



Up to 90 minutes
assembly time



Two person
assembly

This product is intended for domestic use only, not for commercial purposes.

Important

Assembly Tip

Before you begin, we advise laying everything out on a clean and soft level surface to avoid damaging the unit or your floor. It's best to identify all of the parts and fittings to build your 2 door wardrobe, and to familiarise yourself with all of the parts and fittings before building.

Top Tip

We recommend that you build your new 2 door wardrobe in the room you'd like it to be located. This will help prevent any risk of damage to the product whilst moving it.

Safety and Care

1. It's important to ensure children and animals are kept away from the assembly area, as there are small components used in this 2 door wardrobe which could present a choking hazard.
All plastic and wrapping materials should also be kept away from children and animals to prevent any risk of suffocation.
2. Do not stand on your product.
3. Always use the item on firm level ground, ensuring all legs remain in contact with the ground.
4. Place heaviest items in the lowest drawers.
5. Do not set TV or other heavy objects on top of the product.
6. Children should always be under supervision whilst using this product. Never allow children to climb on the drawers.
7. Never keep more than one drawer open at the same time.
8. The installation of anti tipping kit to secure your furniture is strongly suggested.
9. Serious or fatal crushing injuries can occur from tipping furniture.

Help and Support

Please contact our customer service team on 0113 519 0311 if you have any questions or issues with your purchase.

Recycling

Please ensure that packaging is disposed of in a safe and environmentally friendly way, and recycle where possible. Please keep your assembly instructions safe to refer back to in the future.

Care and Maintenance

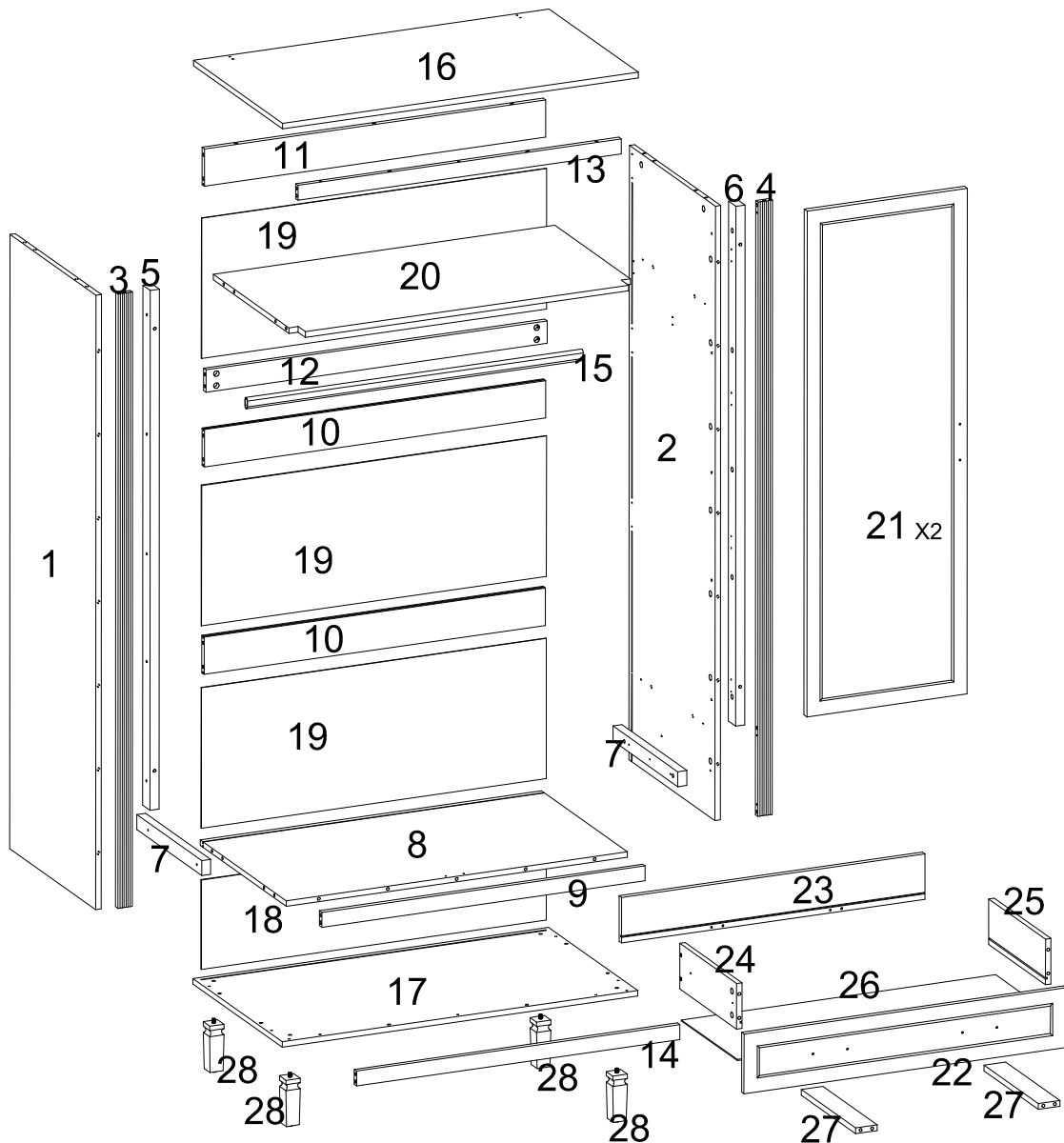
1. Only clean using a damp cloth, do not use bleach or abrasive cleaners as they may damage the finish over time.
2. Do not scrub or rub the surface when cleaning.
3. Do not use a very wet cloth or allow any liquid to contact with the veneer for a long period of time. Wipe any spillage immediately. Absorption can cause wood to warp or finishes to de-laminate.
4. Do not drag the 2 door wardrobe when moving, lift it off the floor instead.
5. Use a placemat or a coaster when putting hot items (e.g. hot drinks and dishes) on the wood surface.
6. It is not recommended to place the item next to sources of heat such as radiators, fires or directly exposed to sunlight. This may cause the wood to crack, split or fade due to the change of the humidity and temperature.
7. Wood will mellow and change colour over time, we recommend that ornaments and items placed on the surface to be moved regularly to prevent uneven mellowing.
8. Regularly check all fixings to ensure none have come loose. Re-tighten if necessary.
9. Avoid sharp items such as a screwdriver or any pointy tools.

Parts list

Before you begin building your product, please take a moment to read through the instructions and make sure that you have all the relevant parts listed on the parts check list.

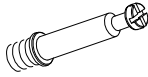

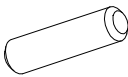
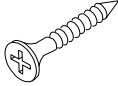
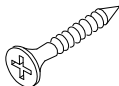
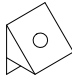

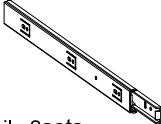


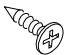

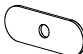
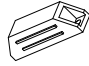

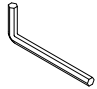
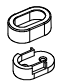

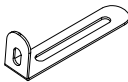
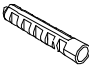
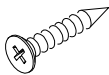

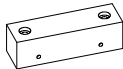


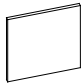
Part Number	Part Description	Quantity
1	Left Panel	1 pc
2	Side Panel	1 pc
3	Left Side Bar	1 pc
4	Right Side Bar	1 pc
5	Hinge Left Support Bar	1 pc
6	Hinge Right Support Bar	1 pc
7	Slide Rail Support Bar	2 pc
8	Bottom Shelf Panel	1 pc
9	Middle Front Support Bar	1 pc
10	Lower Back Support Bar	2 pcs
11	Upper Back Support Bar	1 pc
12	Middle Back Support Bar	1 pc
13	Upper Front Support Bar	1 pc
14	Lower Front Support Bar	1 pc

Part Number	Part Description	Quantity
15	Hanging Bar	1 pc
16	Top Panel	1 pc
17	Bottom Panel	1 pc
18	Lower Back Panel	1 pc
19	Middle Back Panel	3 pcs
20	Top Shelf Panel	1 pc
21	Door	2 pcs
22	Drawer Front	1 pc
23	Drawer Back Side	1 pc
24	Drawer Left Side	1 pc
25	Drawer Right Side	1 pc
26	Drawer Bottom	1 pc
27	Drawer support bar	2 pcs
28	Leg	4 pcs

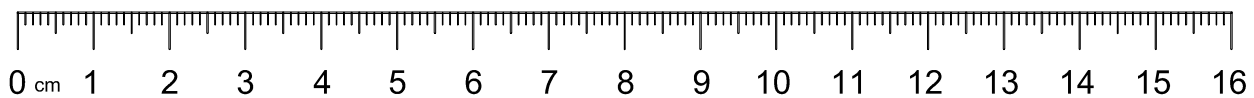


Fittings checklist

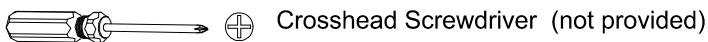
Please check you have all the fittings listed below with your product:

 <p>A M6x35mm Cam Bolt x62pcs(+4 extra)</p>	 <p>B Ø15x9mm Cam Lock x62pcs(+4 extra)</p>	 <p>C Ø8x30mm Wood Dowel x42pcs(+4 extra)</p>
 <p>D M4x45mm Screw x12pcs(+1 extra)</p>	 <p>E M4x35mm Screw x14pcs(+1 extra)</p>	 <p>F Plastic Buckle x26pcs(+3 extra)</p>
 <p>G M3x14mm Screw x32pcs(+4 extra)</p>	 <p>H Slide Rail x2sets</p>	 <p>I M3x12mm Screw x14pcs(+1 extra)</p>
 <p>J Hinge x8pcs</p>	 <p>K M3.5x12mm Screw x48pcs(+4 extra)</p>	 <p>L Cover x22pcs(+2 extra)</p>
 <p>M Door Strike Plate x4pcs</p>	 <p>N Door Catch x2pcs</p>	 <p>O M6x28mm Bolt x10pcs(+1 extra)</p>
 <p>P Allen Key x1pc</p>	 <p>Q Tube Bracket x2sets</p>	 <p>R M4x14mm Screw x4pcs</p>
 <p>S Wall Bracket x2pcs</p>	 <p>T Wall Anchor x2pcs</p>	 <p>U M3x18mm Screw x2pcs</p>
 <p>V M4x25mm Screw x2pcs</p>	 <p>W Wooden Block x1pc</p>	 <p>X M4x20mm Screw x8pcs(+1 extra)</p>
 <p>Y Handle x4pcs</p>	 <p>Z Felt Mat x4pcs</p>	

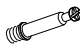
Bolt Length Ruler:

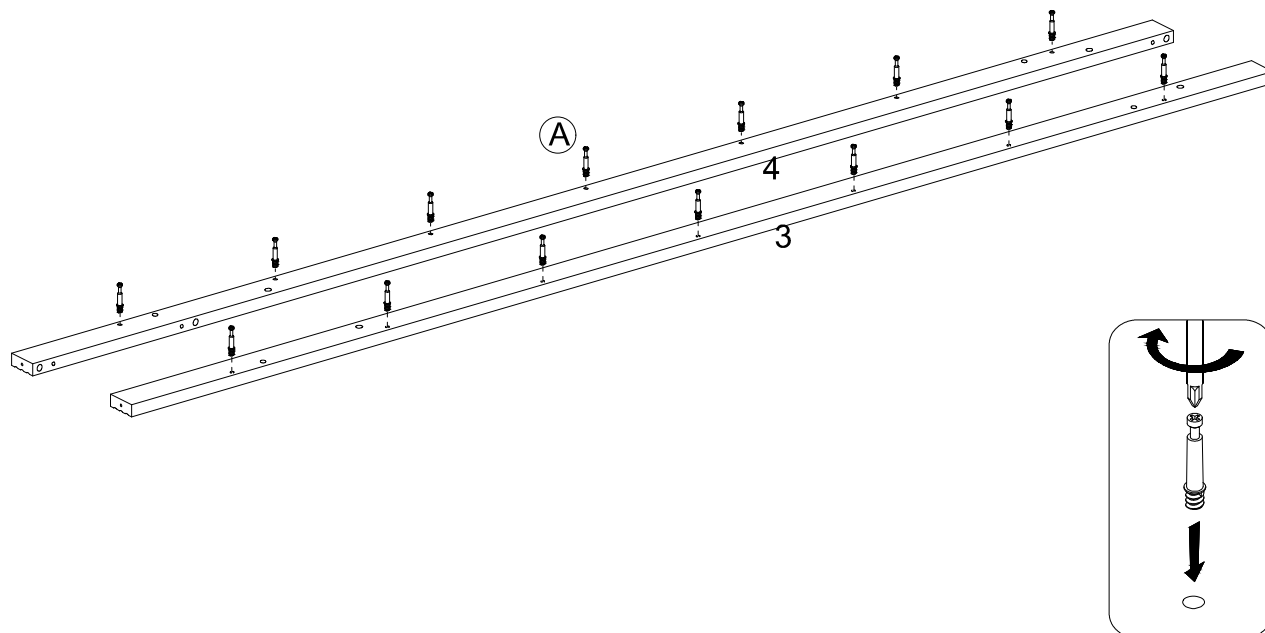


Tool required



Step 1: Attach the Cam Bolt to the Left Side Bar (3) and the Right Side Bar (4).

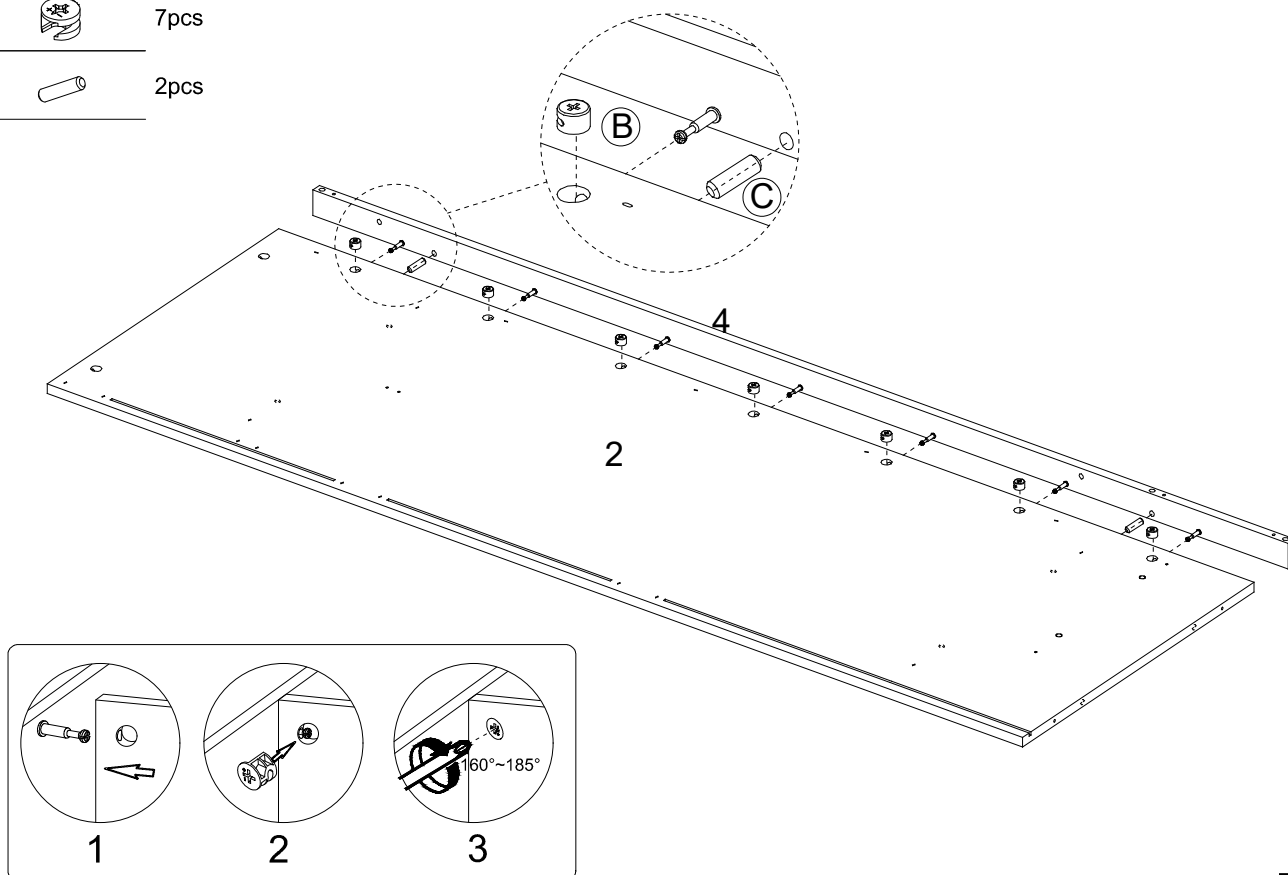
(A)  14pcs



Step 2: Attach Right Side Bar (4) to Right Panel (2).

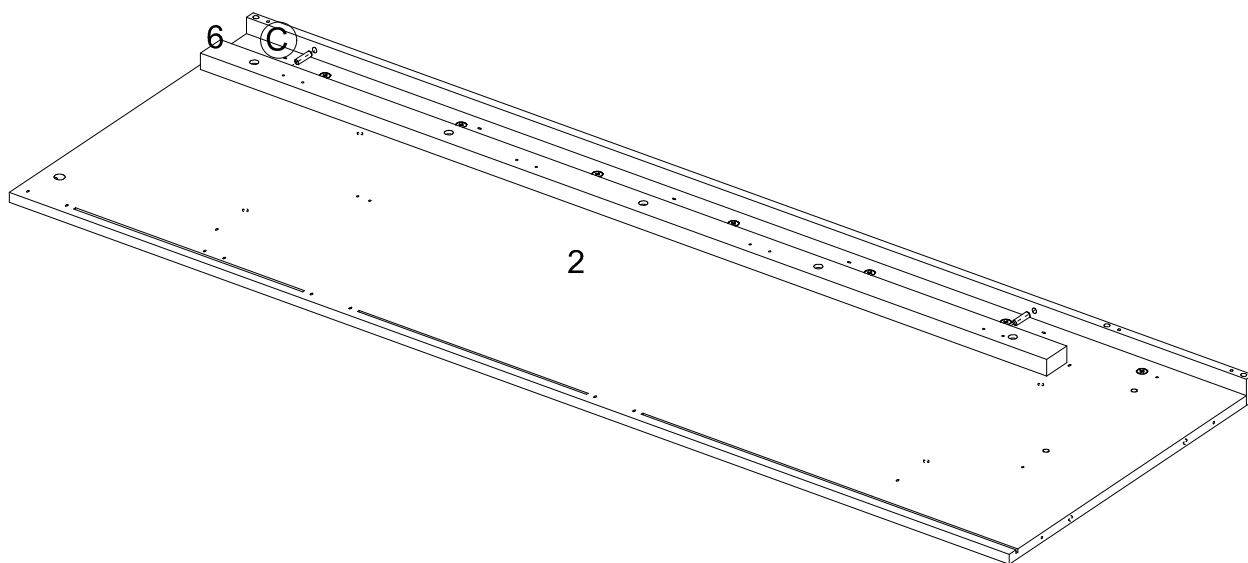
(B)  7pcs

(C)  2pcs



Step 3: Attach the Hinge Right Support Bar (6) to the Frame.

Ⓒ  2pcs

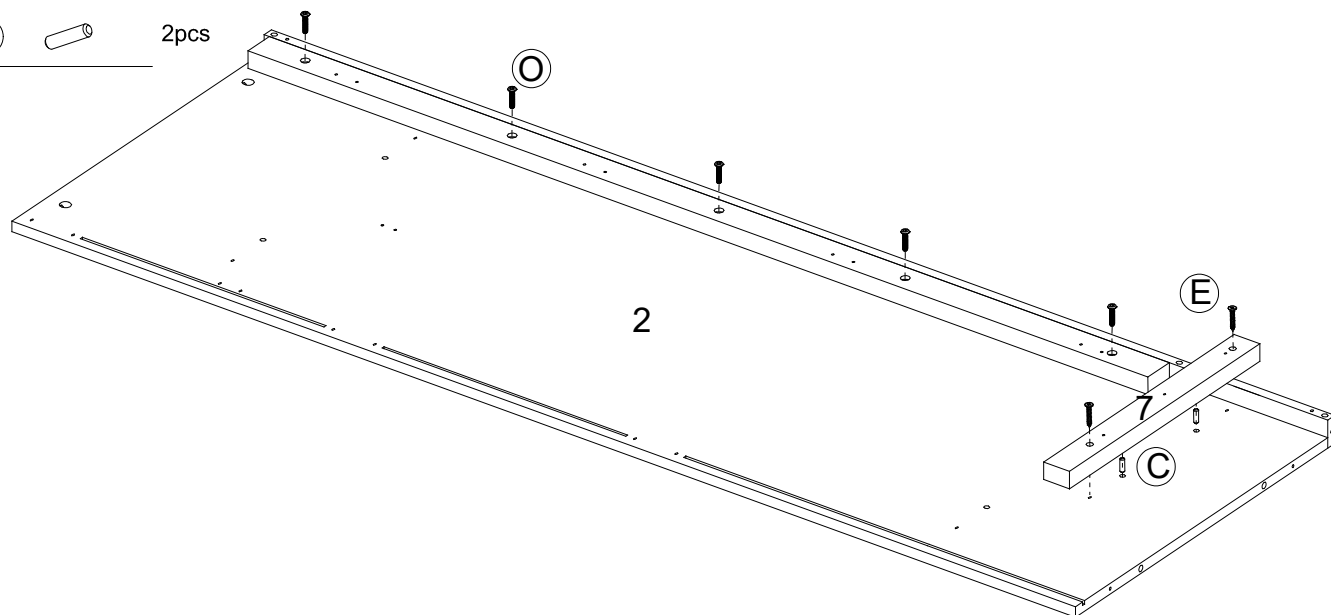


Step 4: Attach the Slide Rail Support Bar (7) to the Frame and tighten Bolts to the Frame.




⓪  5pcs

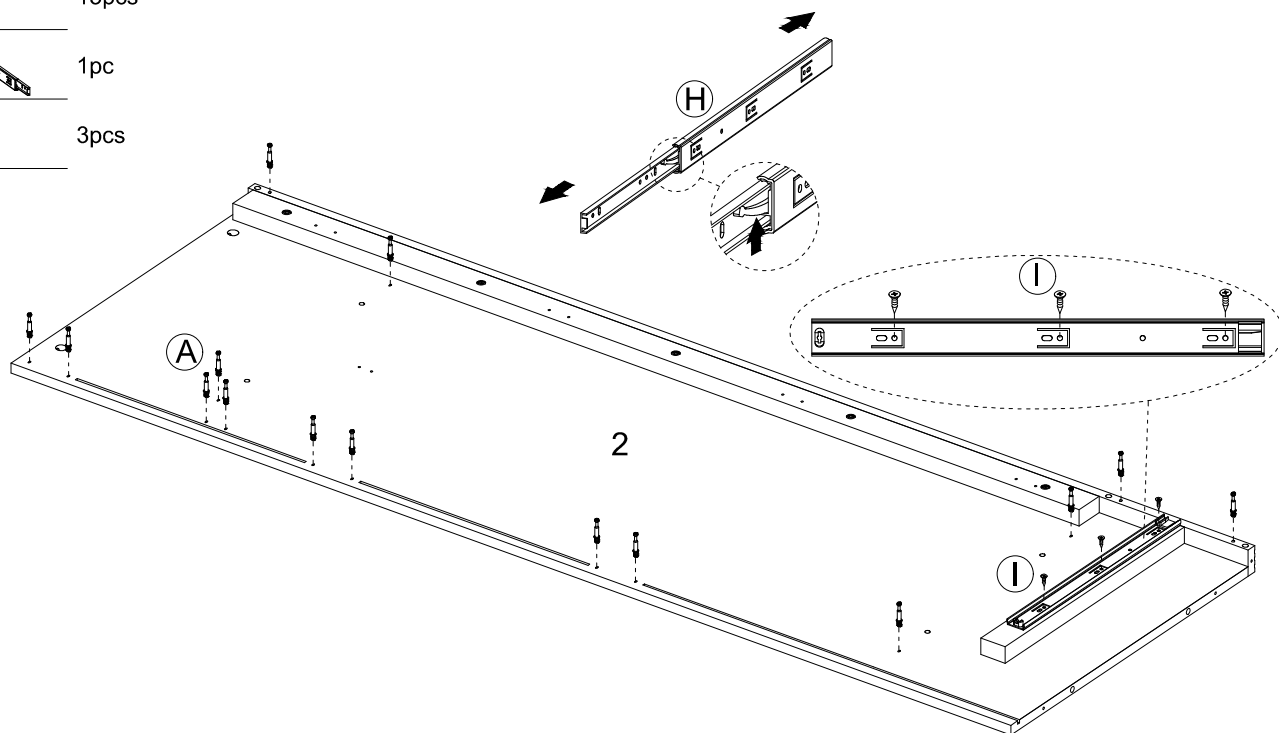
Ⓔ  2pcs

Ⓒ  2pcs





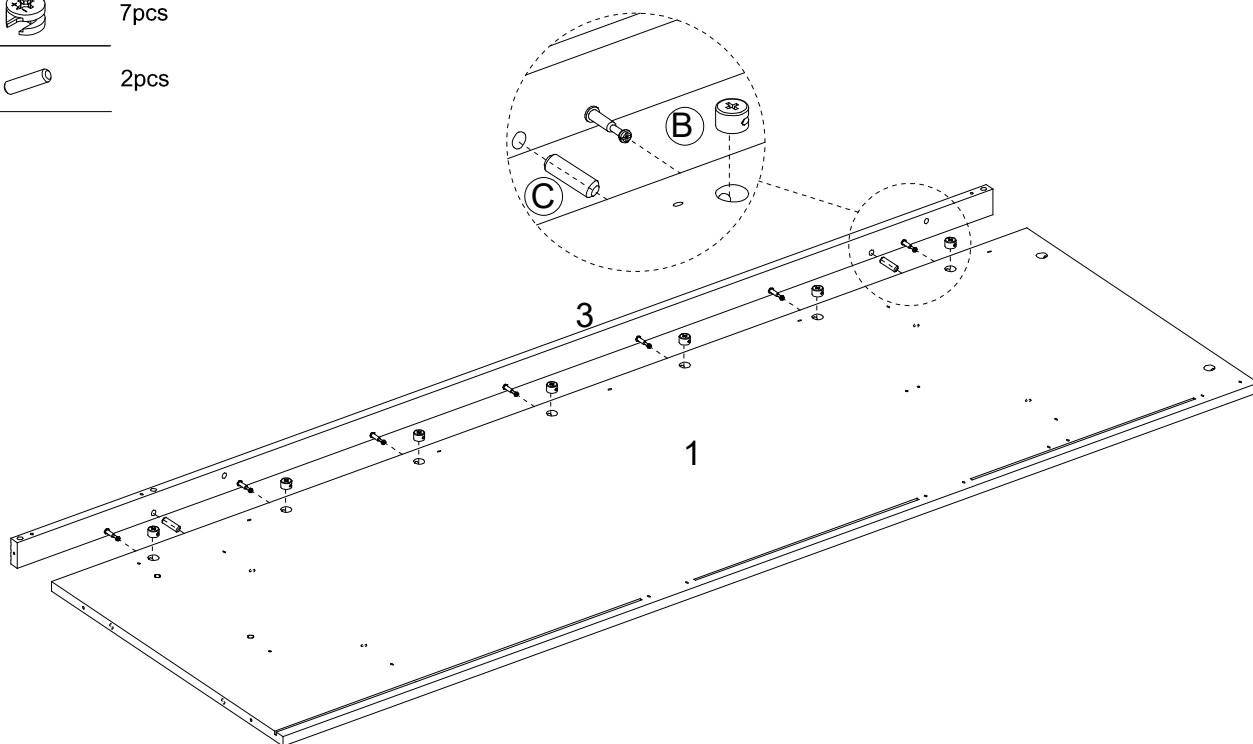
Step 5: Attach the fitting and Slide Rail to the Frame.

- (A)**  15pcs
- (H)**  1pc
- (I)**  3pcs



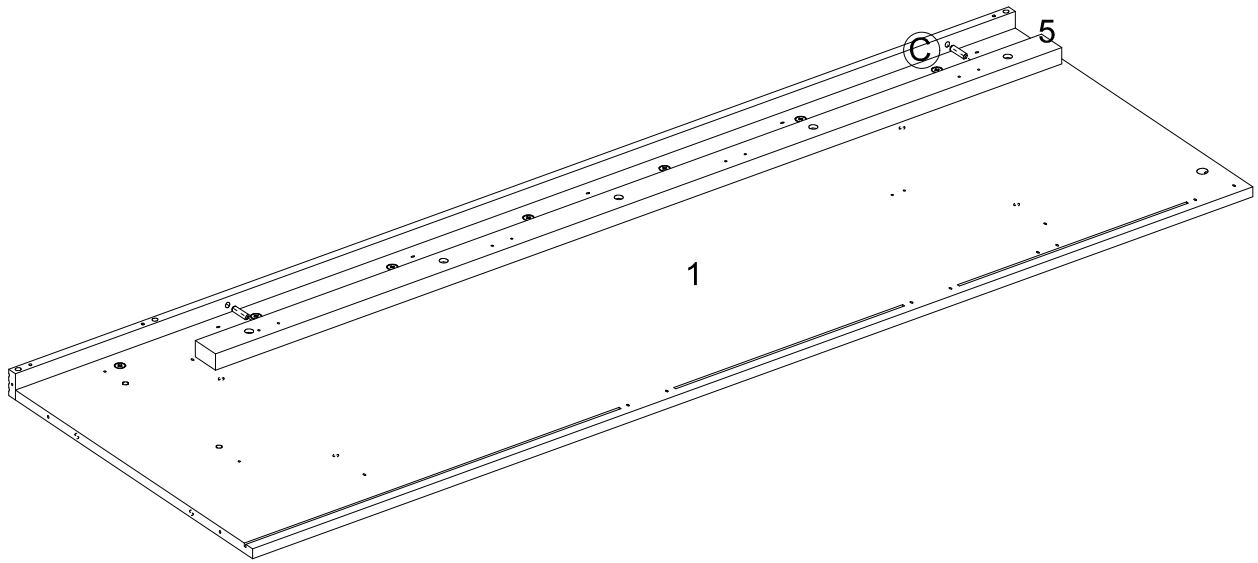
Step 6: Attach Left Side Bar (3) to Left Panel (1).

- (B)**  7pcs
- (C)**  2pcs



Step 7: Attach the Hinge Left Support Bar (5) to the Frame.

Ⓒ  2pcs

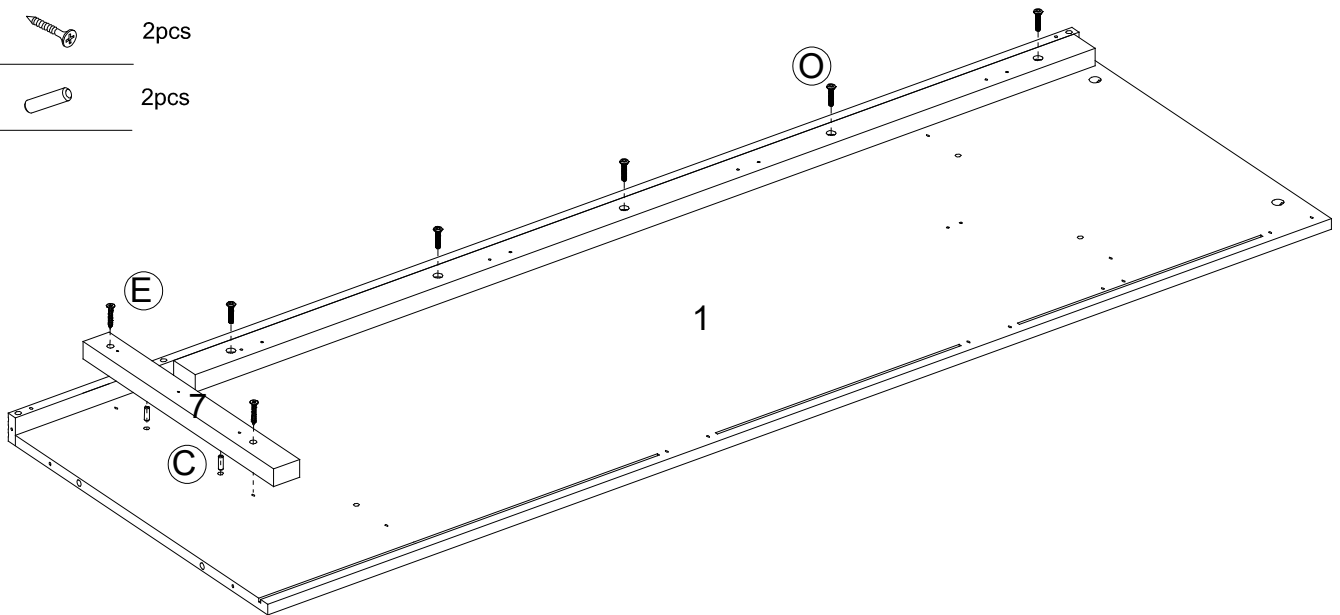


Step 8: Attach the Slide Rail Support Bar (7) to the Frame and tighten Bolts to the Frame.




⓪  5pcs

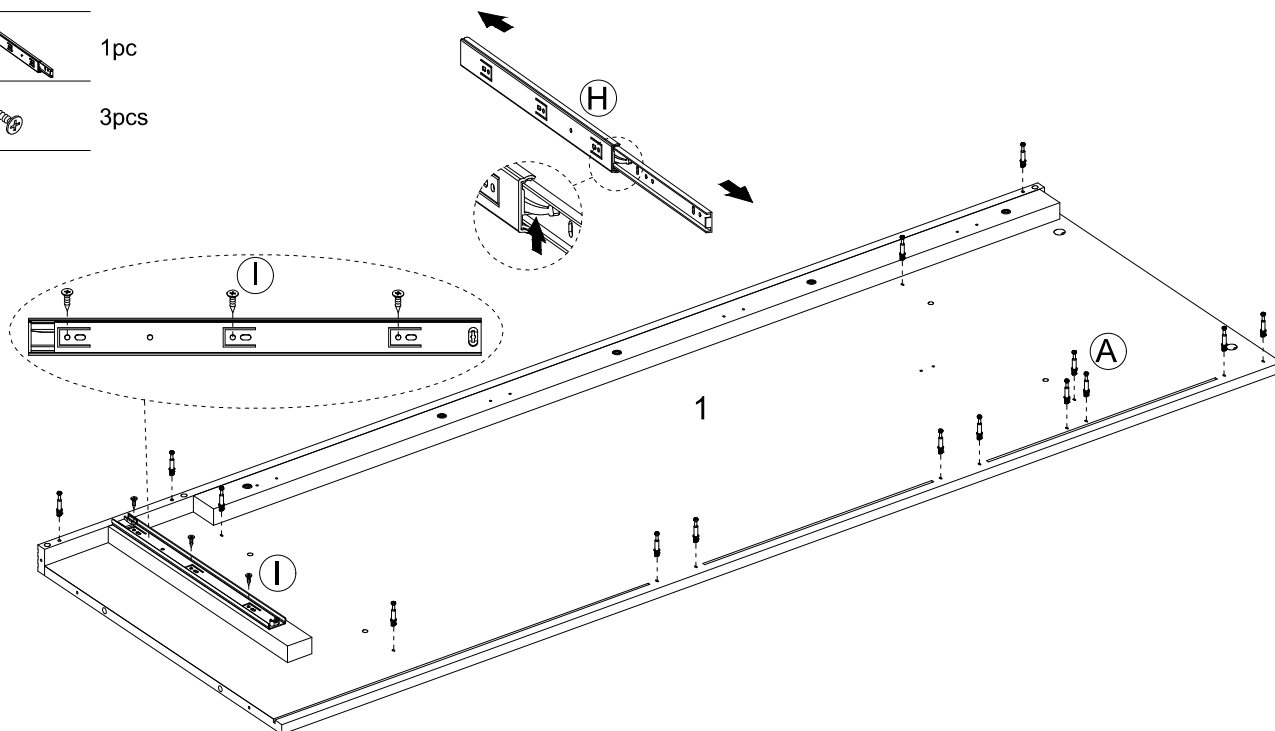
Ⓔ  2pcs

Ⓒ  2pcs






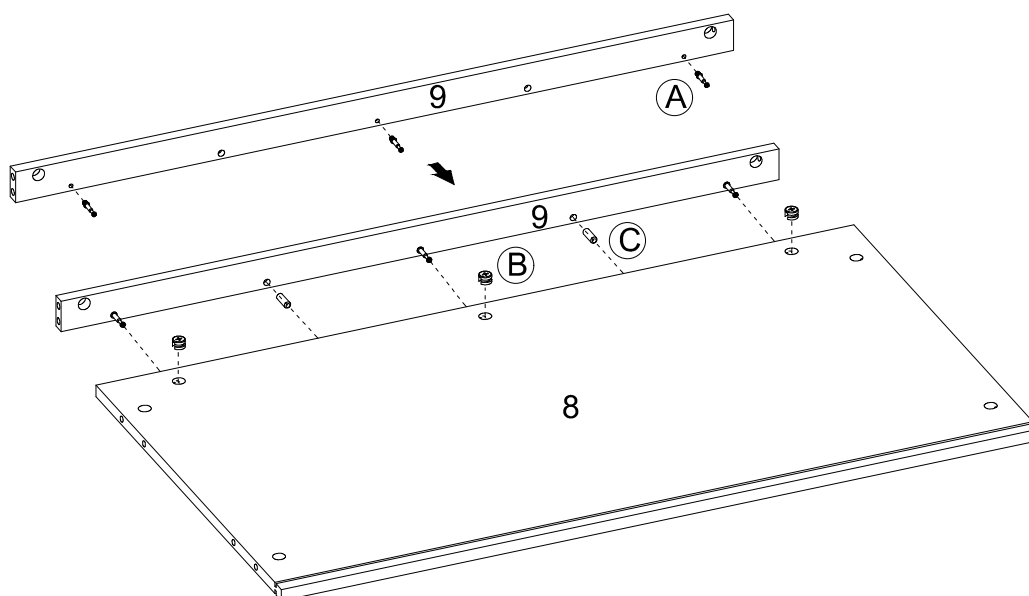
Step 9: Attach the fitting and Slide Rail to the Frame.

- (A)  15pcs
- (H)  1pc
- (I)  3pcs



Step 10: Attach the Cam Bolt to the Middle Front Support Bar (9), then attach the Middle Front Support Bar (9) to the Bottom Shelf Panel (8).

- (A)  3pcs
- (B)  3pcs
- (C)  2pcs



Step 11: Attach the wooden block and door catch to Upper Front Support Bar (13).
Attache parts (8, 10, 11, 12, 13, 14, 20) to Right Panel (2).

(B)  15pcs

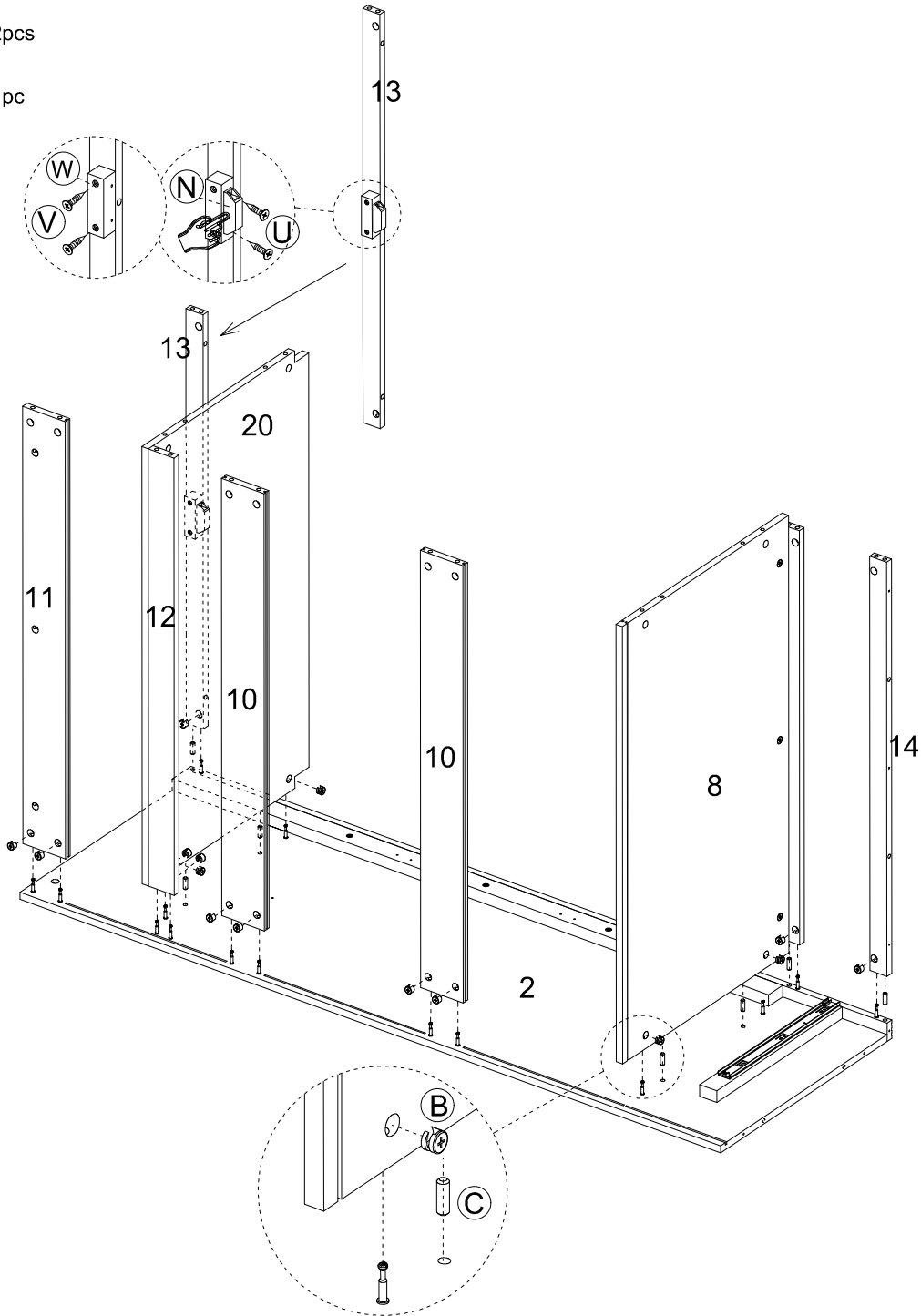
(C)  7pcs

(N)  1pcs

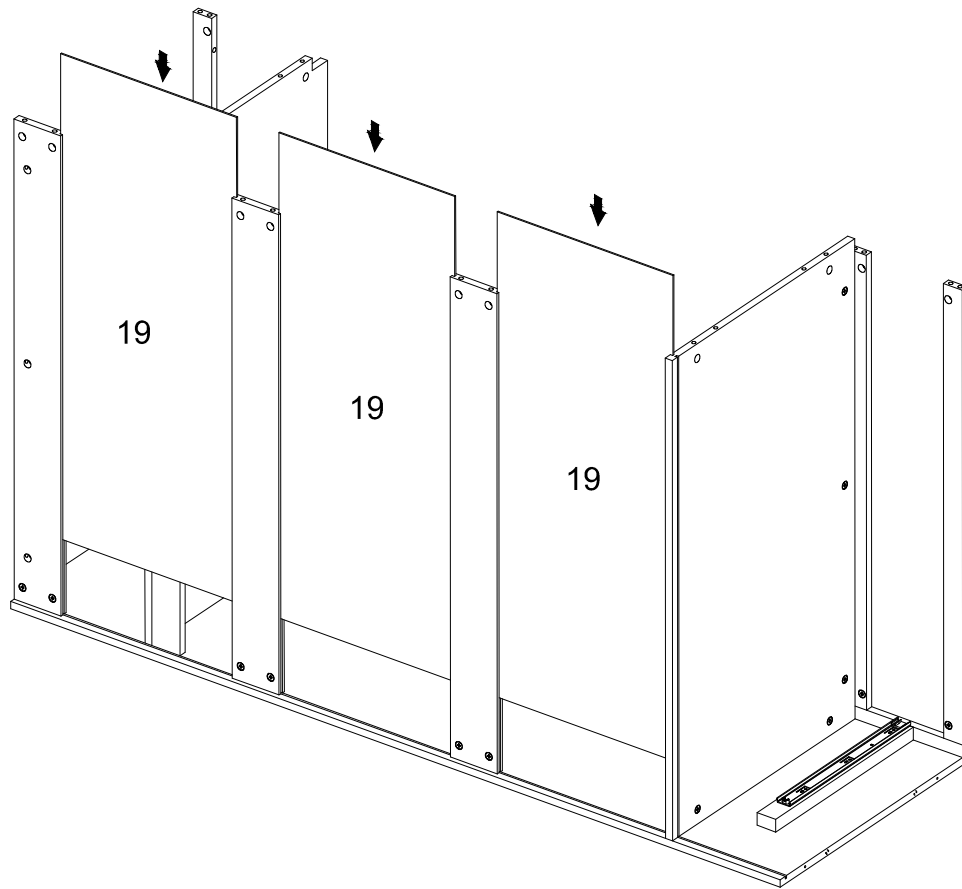
(U)  2pcs

(V)  2pcs

(W)  1pc

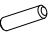


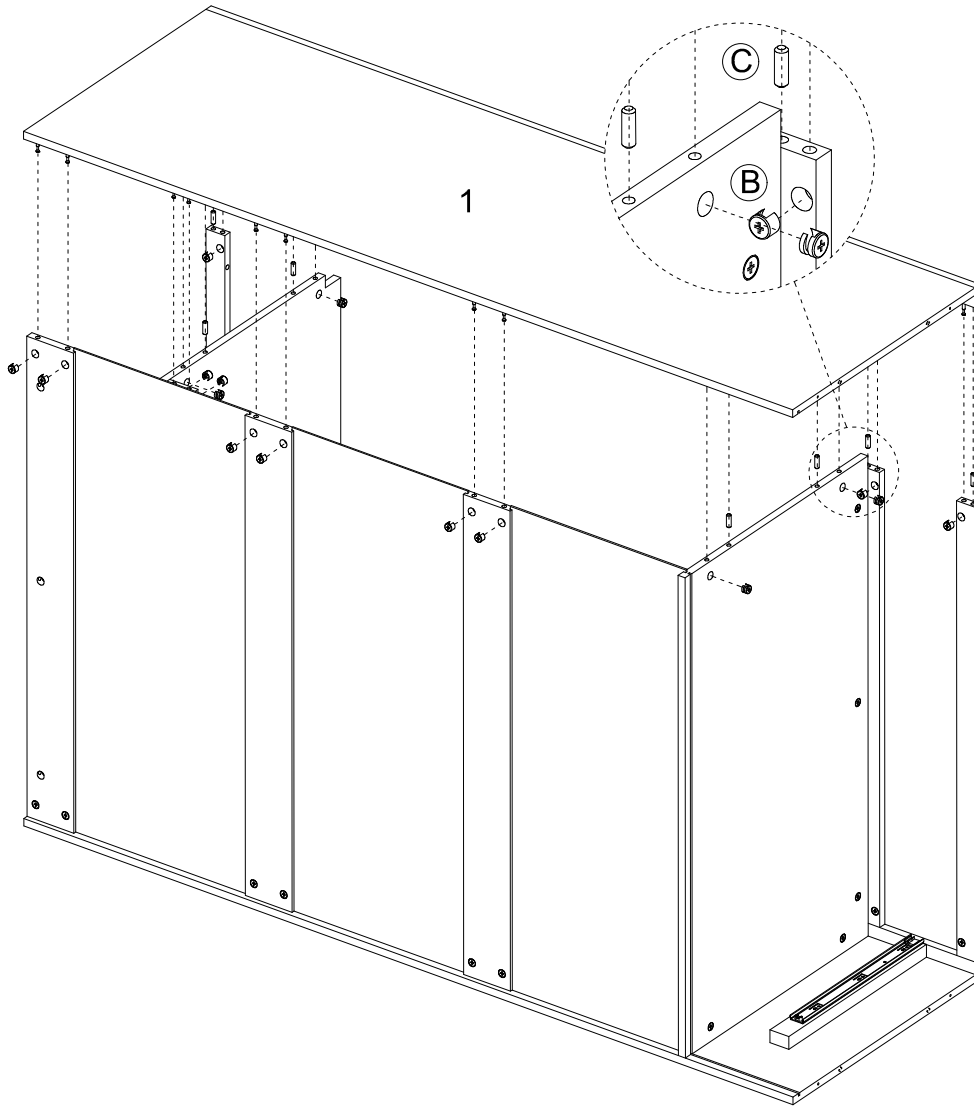
Step 12: Attach Middle Back Panels (19) to the Frame.



Step 13: Attach Left Panel (1) to the Frame.

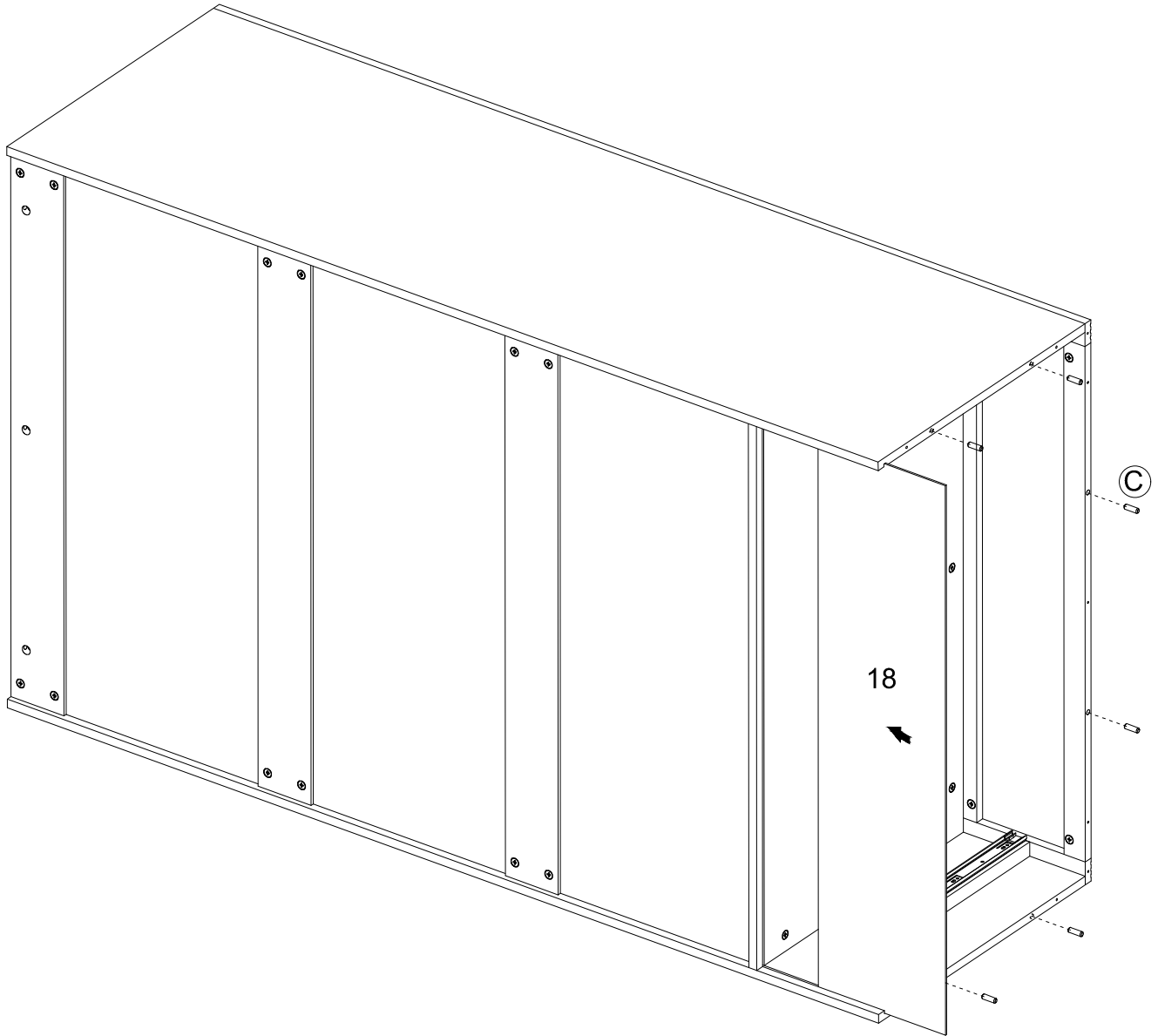
(B)  15pcs

(C)  7pcs



Step 14: Attach Lower Back Panels (18) to the Frame and attach the Dowel (C) to the Frame.

Ⓒ  6pcs

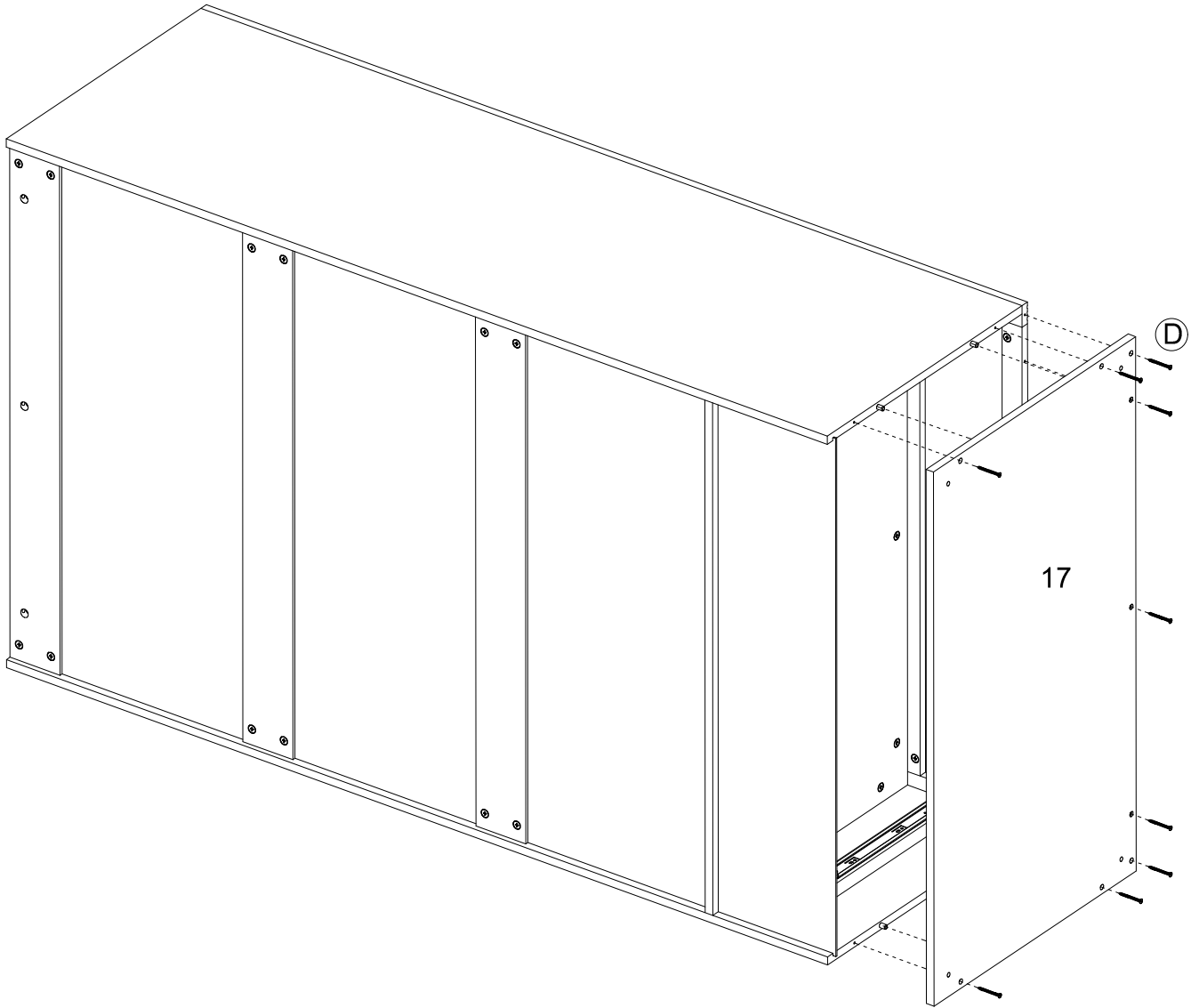


Step 15: Attach the Bottom Panel (17) to the Frame.


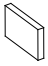
Ⓓ

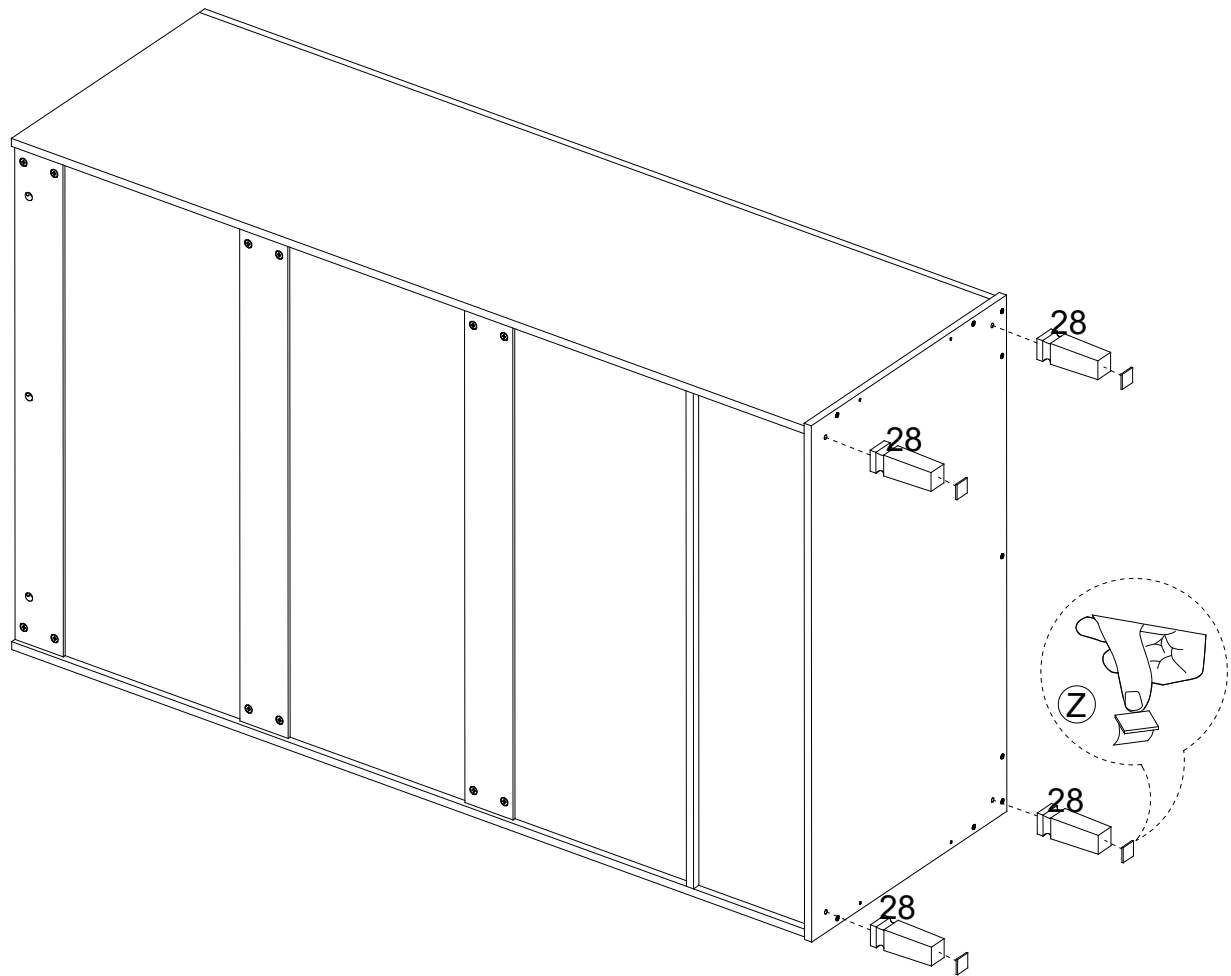


9pcs



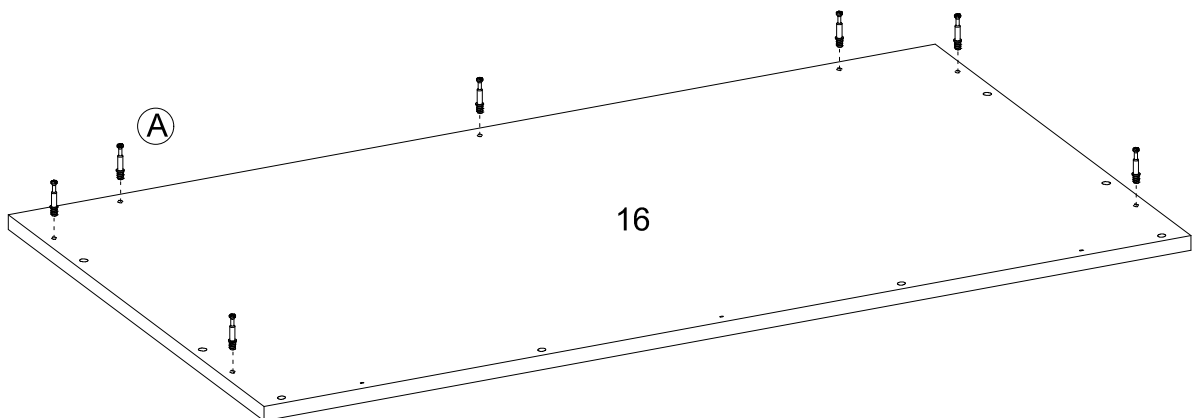
Step 16: Attach the Legs (28) to the Frame.

  4pcs







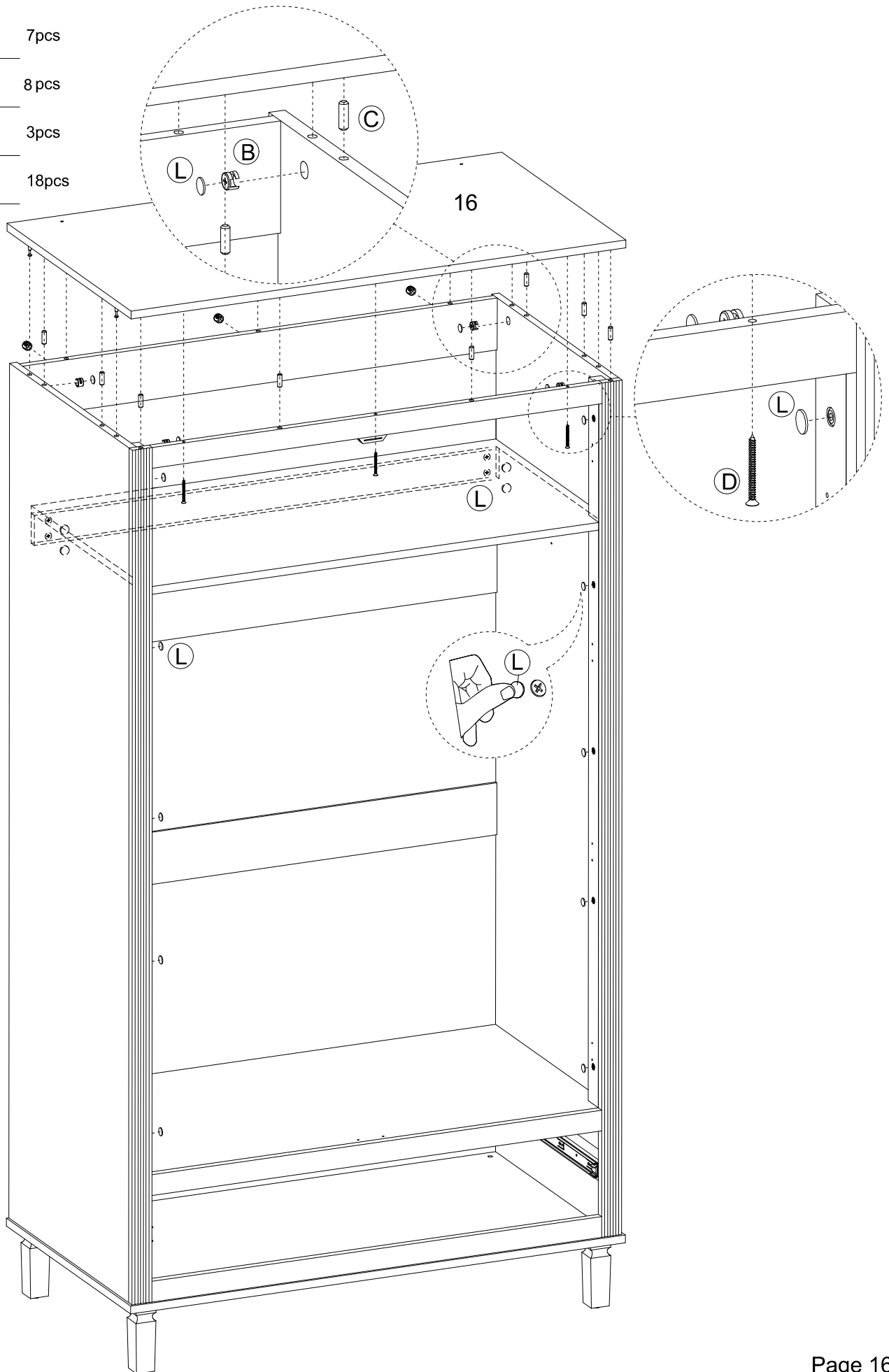
Step 17: Attach the Cam Bolt to the Top Panel (16) .

  7pcs



Step 18: Attach the Top Panel (16) to the Frame.

- (B)  7 pcs
- (C)  8 pcs
- (D)  3 pcs
- (L)  18 pcs

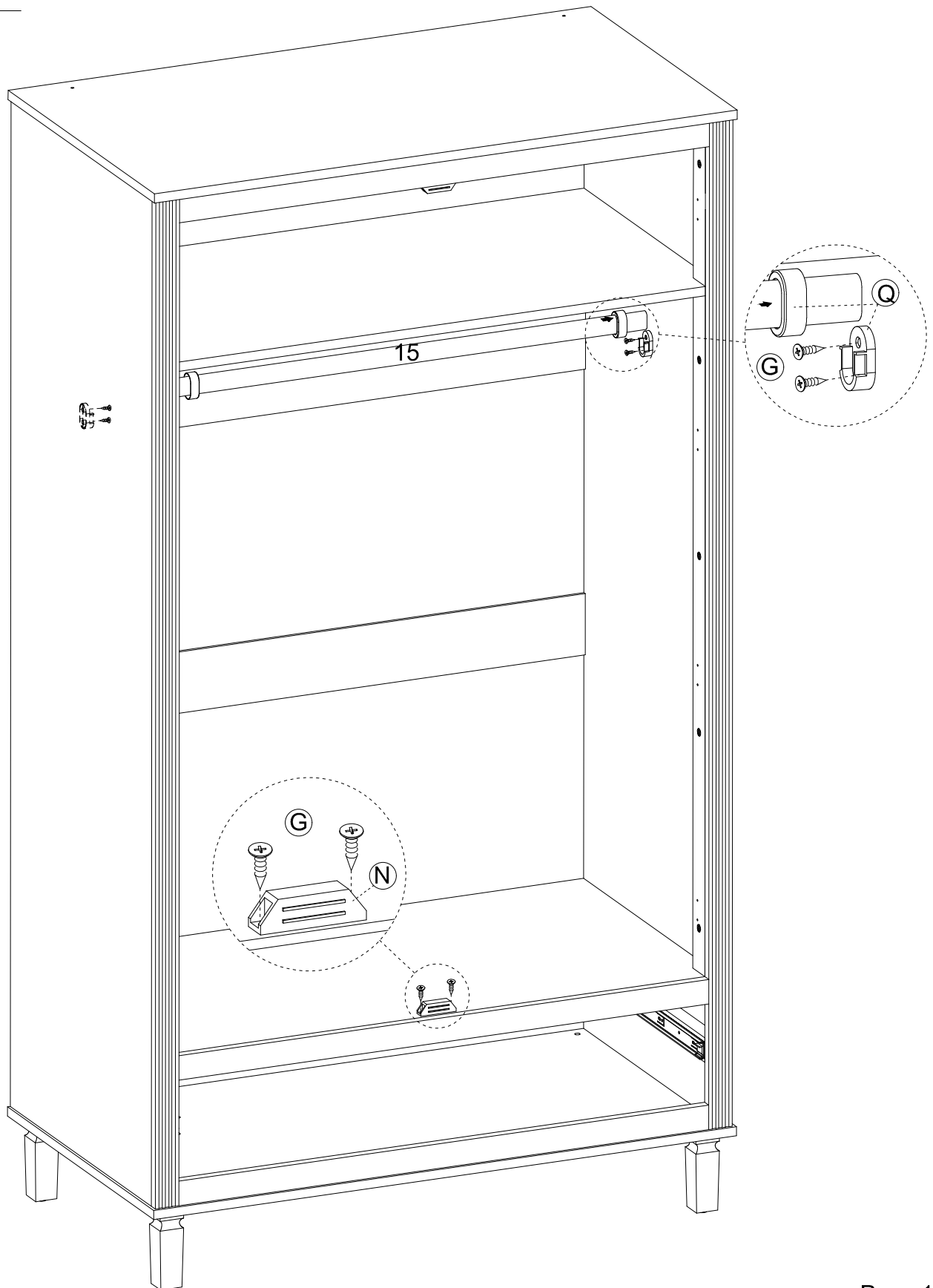


Step 19: Attach Door Catch (N) and Tube Bracket (Q) to the Frame.

Ⓒ 6pcs

Ⓓ 1pc

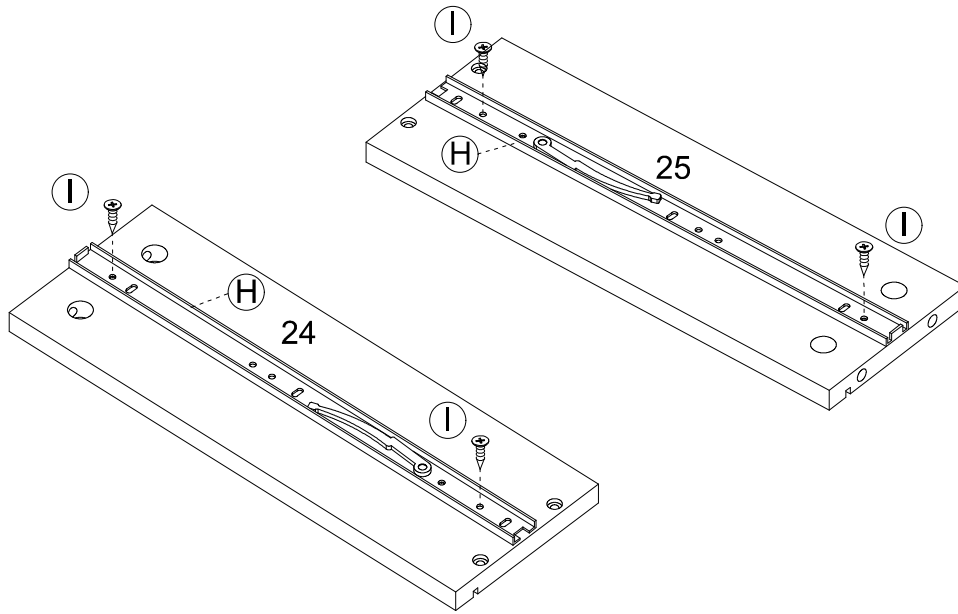
Ⓔ 2sets



Step 20: Attach the Slide Rail to the Drawer Left Side (24) and Drawer Right Side (25).

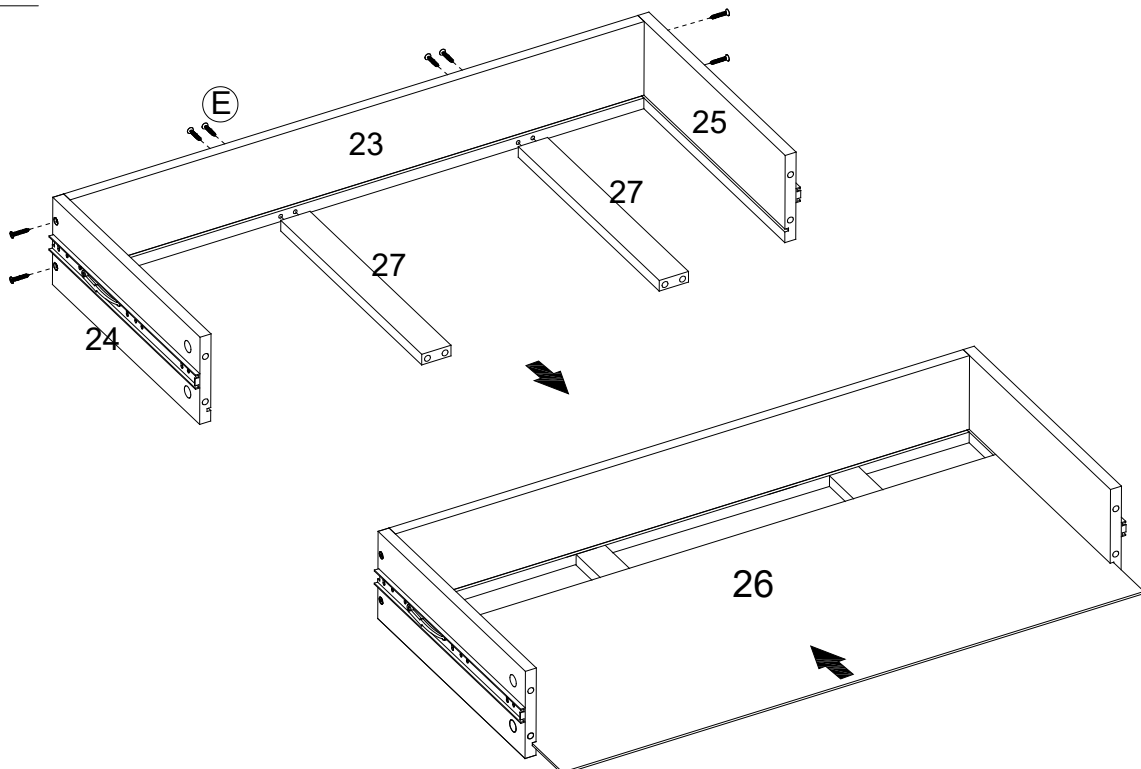
(H)  2pcs

(I)  4pcs




Step 21: Attach the Drawer.

(E)  8pcs

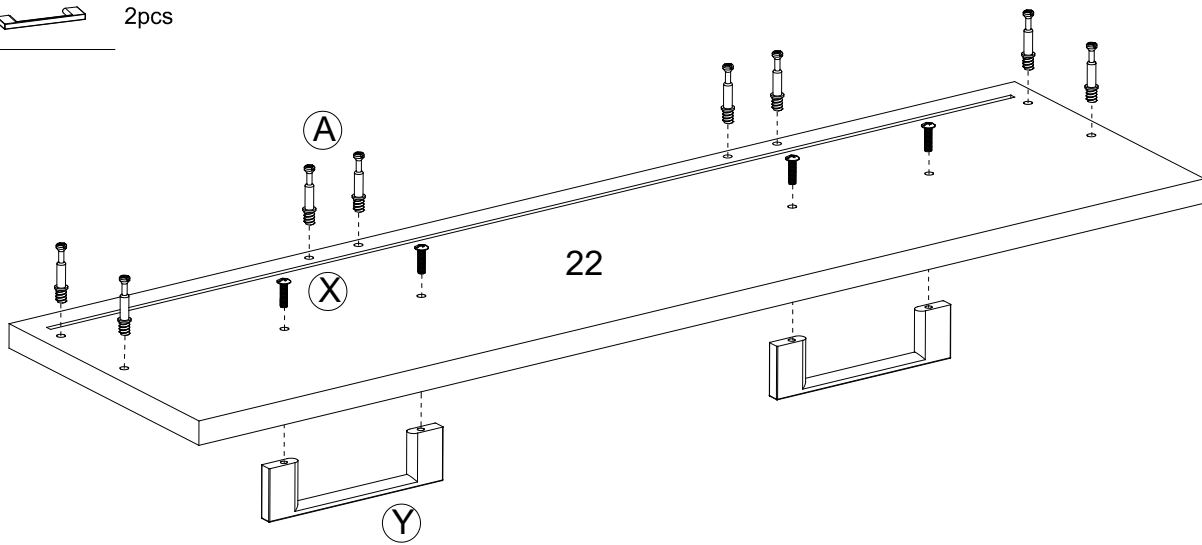


Step 22: Attach the Fittings and Handle to the Drawer Front (22).

Ⓐ  8 pcs

ⓧ  4 pcs

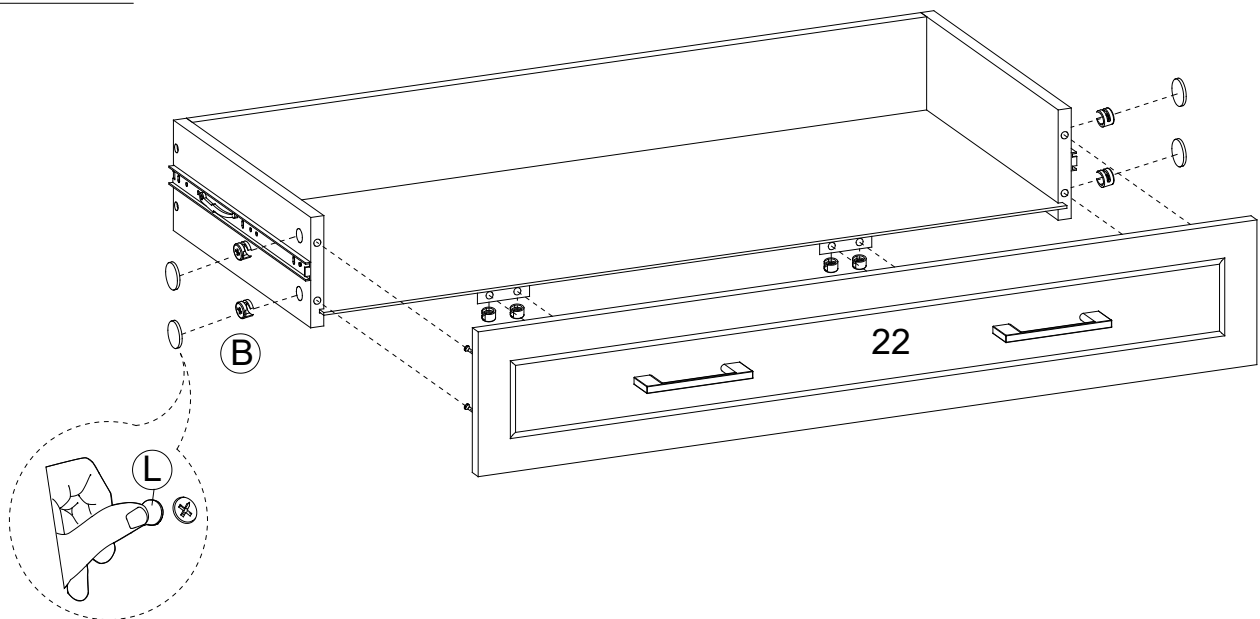
Ⓨ  2 pcs



Step 23: Attach the Drawer Front (22) to the Frame.

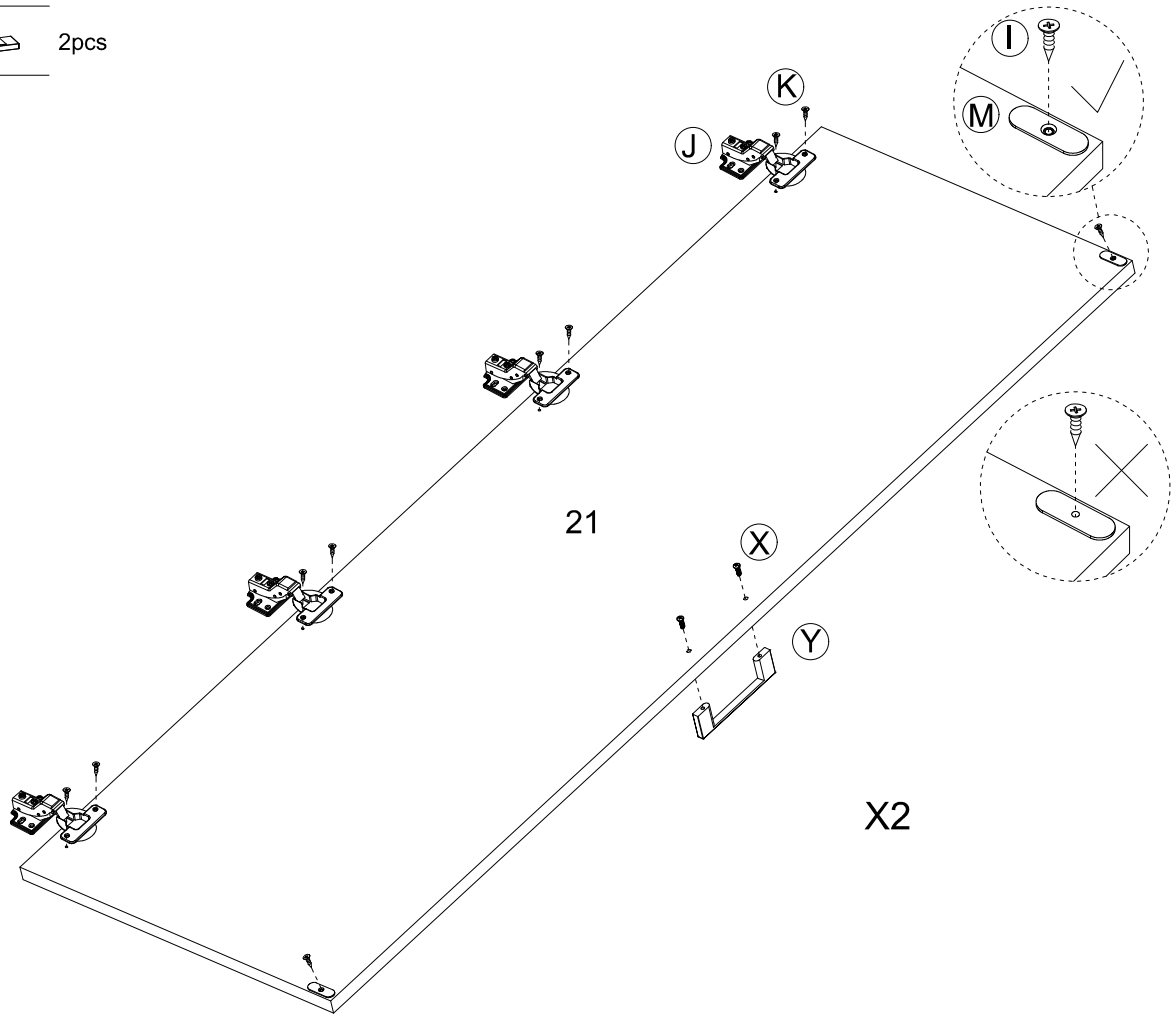
Ⓑ  8 pcs

Ⓛ  4 pcs



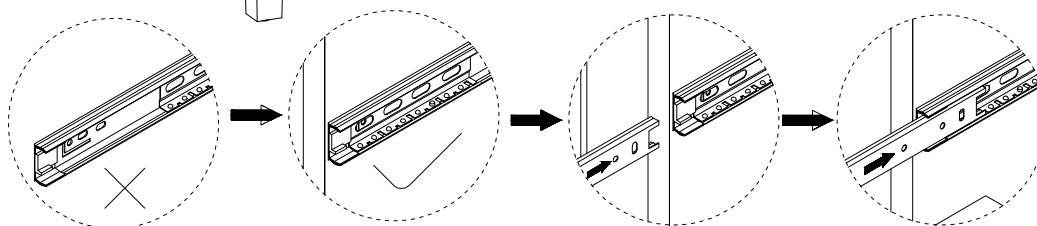
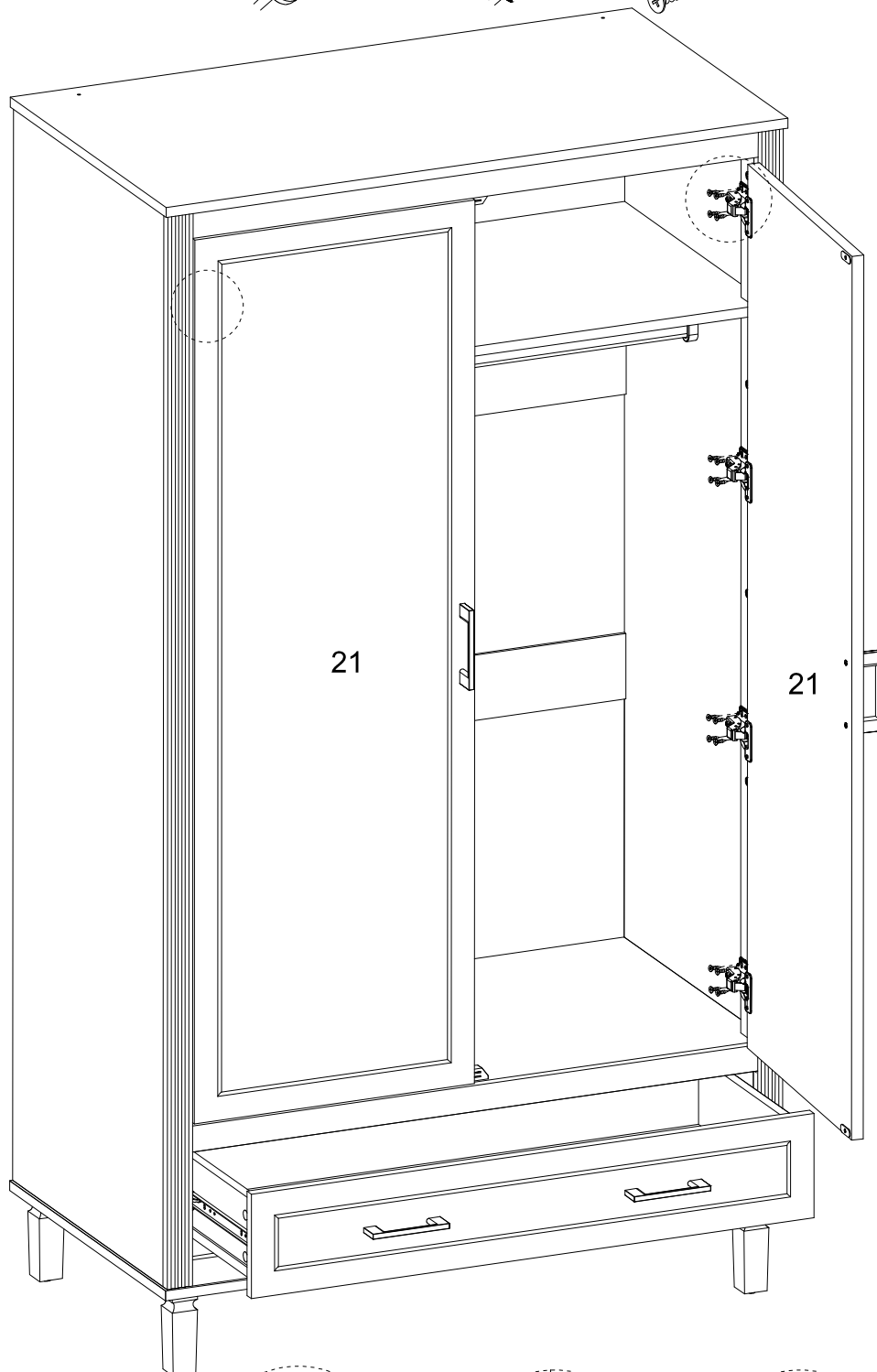
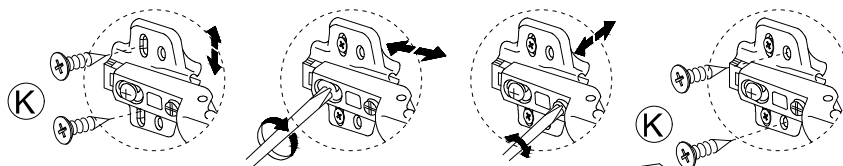
Step 24: Attach the Hinges, Handle and Door Strike Plate to Door (21).

- ⓐ 4pcs
- ⓑ 8pcs
- ⓒ 16pcs
- ⓓ 4pcs
- ⓔ 4pcs
- ⓕ 2pcs



Step 25: Attach the Doors (21) to the Frame, Slide the drawer into the Frame.

(K)  32pcs



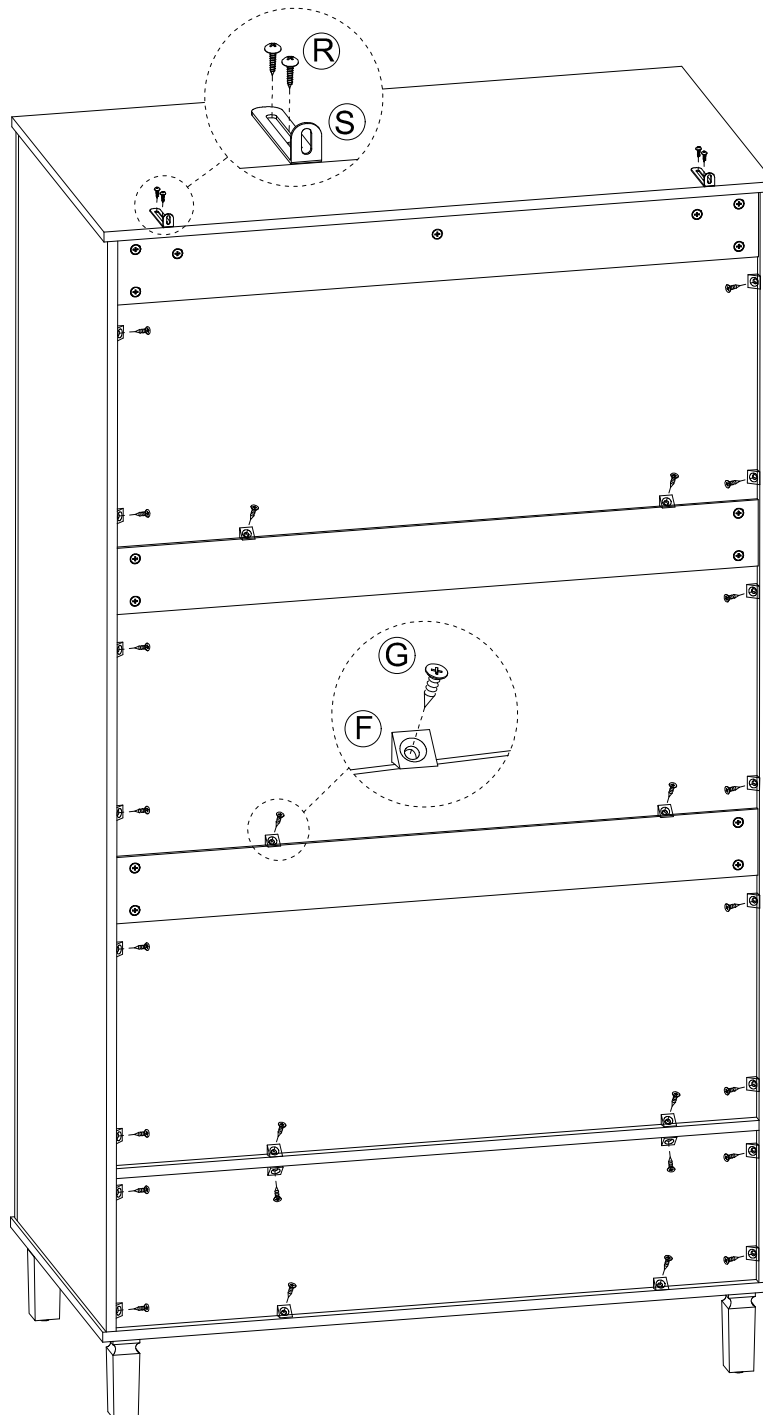
Step 26: Attach the plastic buckles and wall bracket. Before securing the plastic buckles, manually adjust the frame to ensure the drawer and doors are properly aligned, even, and parallel.

ⓕ 26pcs

ⓖ 26pcs

Ⓡ 4pcs

Ⓢ 2pcs



Step 27: Fix the wall bracket to the wall by drilling holes, inserting wall anchors, and securing it with screws.

Ⓔ 2pcs

Ⓓ 2pcs

