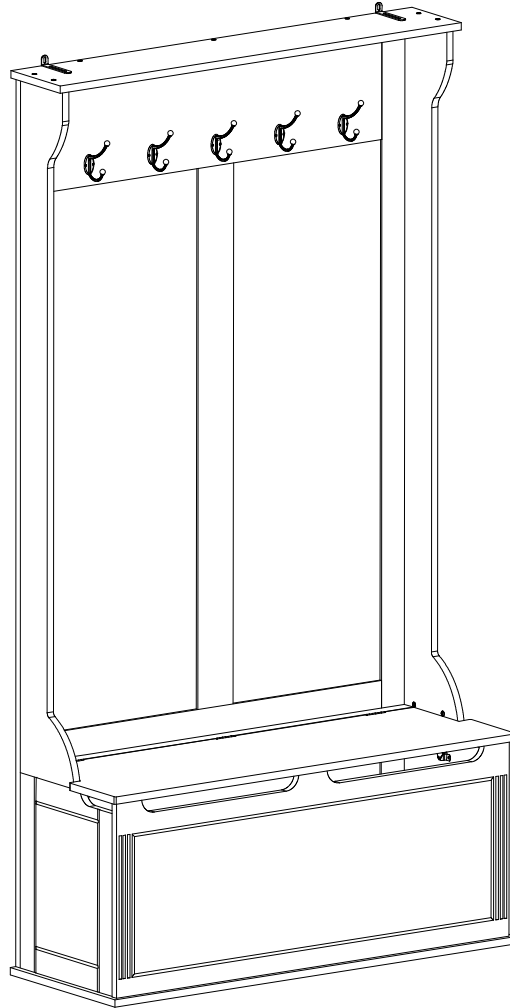
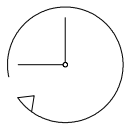


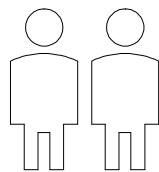
Entryway Cabinet



THIS INSTRUCTION BOOKLET CONTAINS IMPORTANT SAFETY INFORMATION.
PLEASE READ AND KEEP FOR FUTURE REFERENCE.



Up to 90 minutes
assembly time



Two person
assembly

This product is intended for domestic use only, not for commercial purposes.

Important

Assembly Tip

Before you begin, we advise laying everything out on a clean and soft level surface to avoid damaging the unit or your floor. It's best to identify all of the parts and fittings to build your entryway cabinet, and to familiarise yourself with all of the parts and fittings before building.

Top Tip

We recommend that you build your new entryway cabinet in the room you'd like it to be located. This will help prevent any risk of damage to the product whilst moving it.

Safety and Care

1. It's important to ensure children and animals are kept away from the assembly area, as there are small components used in this entryway cabinet which could present a choking hazard.
All plastic and wrapping materials should also be kept away from children and animals to prevent any risk of suffocation.
2. Do not stand on your product.
3. Always use the item on firm level ground, ensuring all legs remain in contact with the ground.
4. Place heaviest items in the lowest drawers.
5. Do not set TV or other heavy objects on top of the product.
6. Children should always be under supervision whilst using this product. Never allow children to climb on the drawers.
7. Never keep more than one drawer open at the same time.
8. The installation of anti tipping kit to secure your furniture is strongly suggested.
9. Serious or fatal crushing injuries can occur from tipping furniture.

Help and Support

Please contact our customer service team on 0113 519 0311 if you have any questions or issues with your purchase.

Recycling

Please ensure that packaging is disposed of in a safe and environmentally friendly way, and recycle where possible. Please keep your assembly instructions safe to refer back to in the future.

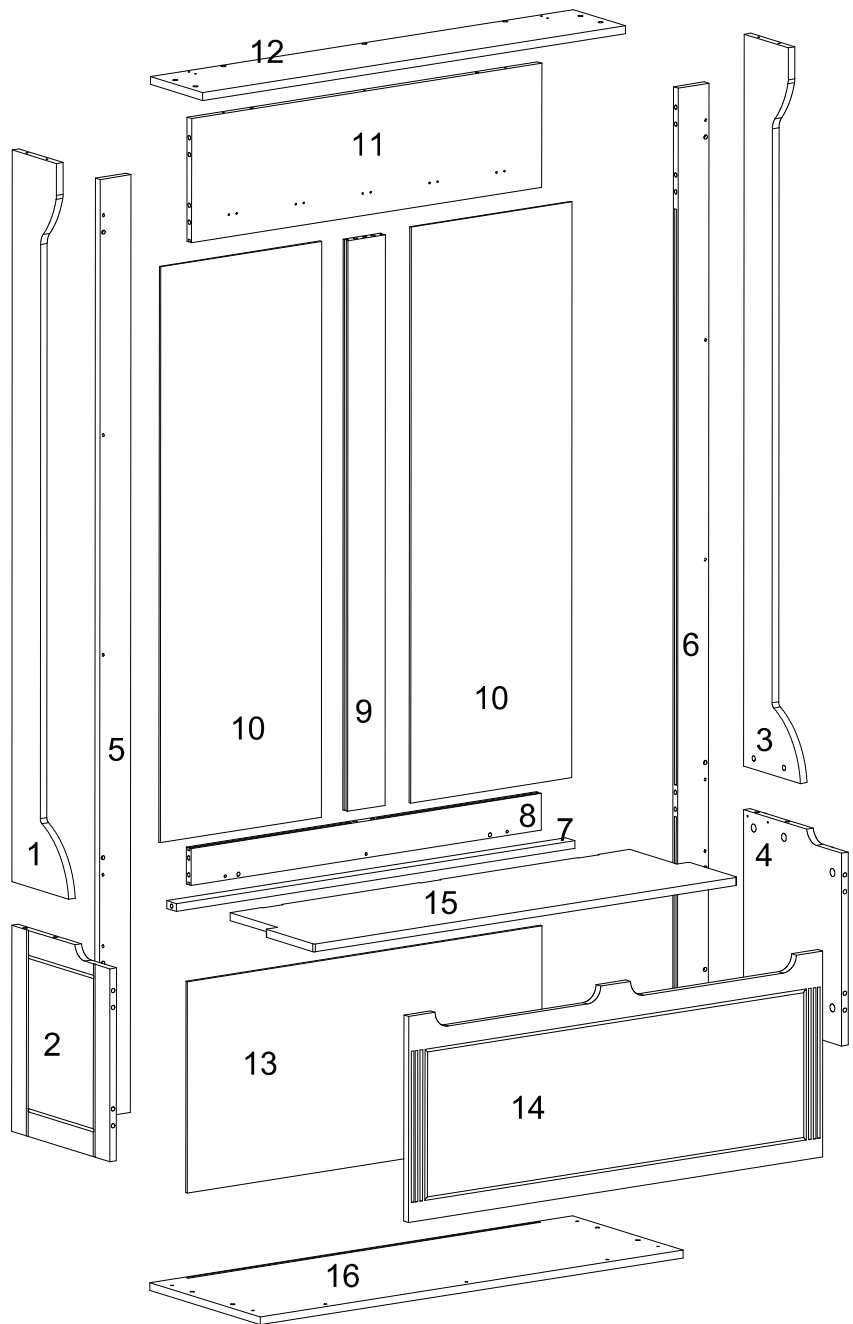
Care and Maintenance

1. Only clean using a damp cloth, do not use bleach or abrasive cleaners as they may damage the finish over time.
2. Do not scrub or rub the surface when cleaning.
3. Do not use a very wet cloth or allow any liquid to contact with the veneer for a long period of time. Wipe any spillage immediately. Absorption can cause wood to warp or finishes to de-laminate.
4. Do not drag the entryway cabinet when moving, lift it off the floor instead.
5. Use a placemat or a coaster when putting hot items (e.g. hot drinks and dishes) on the wood surface.
6. It is not recommended to place the item next to sources of heat such as radiators, fires or directly exposed to sunlight. This may cause the wood to crack, split or fade due to the change of the humidity and temperature.
7. Wood will mellow and change colour over time, we recommend that ornaments and items placed on the surface to be moved regularly to prevent uneven mellowing.
8. Regularly check all fixings to ensure none have come loose. Re-tighten if necessary.
9. Avoid sharp items such as a screwdriver or any pointy tools.

Parts list

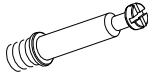


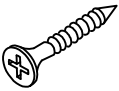





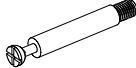


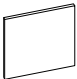


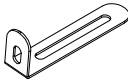
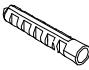
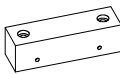


Before you begin building your product, please take a moment to read through the instructions and make sure that you have all the relevant parts listed on the parts check list.

Part Number	Part Description	Quantity
1	Upper Left Panel	1 pc
2	Lower Left Panel	1 pc
3	Upper Right Panel	1 pc
4	Lower Right Panel	1 pc
5	Left Support Bar	1 pc
6	Right Support Bar	1 pc
7	Hinge Support Bar	1 pc
8	Lower Support Bar	1 pc
9	Middle Support Bar	1 pc
10	Upper Back Panel	2 pcs
11	Upper Support Panel	1 pc
12	Top Panel	1 pc
13	Lower Back Panel	1 pc
14	Front Panel	1 pc
15	Door	1 pc
16	Bottom Panel	1 pc

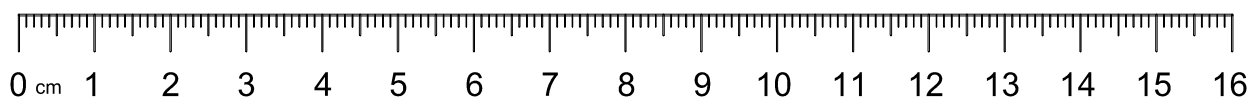


Fittings checklist

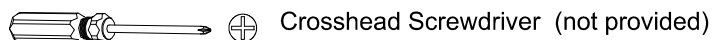
Please check you have all the fittings listed below with your product:

 (A) M6x35mm Cam Bolt x4pcs	 (B) Ø15x9mm Cam Lock x18pcs(+2 extra)	 (C) Ø8x30mm Wood Dowel x26pcs(+3 extra)
 (D) M4x40mm Screw x31pcs(+3 extra)	 (E) M4x25mm Screw x4pcs	 (F) Ø8x40mm Wood Dowel x4pcs
 (G) M3x14mm Screw x10pcs(+1 extra)	 (H) Support Hinge x1pc	 (I) M3x12mm Screw x16pcs(+2 extra)
 (J) M6x50mm Cam Bolt x14pcs(+1 extra)	 (K) M6 Nut x14pcs(+1 extra)	 (L) Eva Mat x3pcs(+2 extra)
 (M) Felt Mat x6pcs	 (N) Pothook x5pcs	 (O) M3x14mm Screw x4pcs
 (P) Wall Bracket x2pcs	 (Q) Wall Anchor x2pcs	 (R) Wooden Block x2pcs
 (S) Hinge x3pcs	 (T) Cover x12pcs(+1 extra)	

Bolt Length Ruler:



Tool required

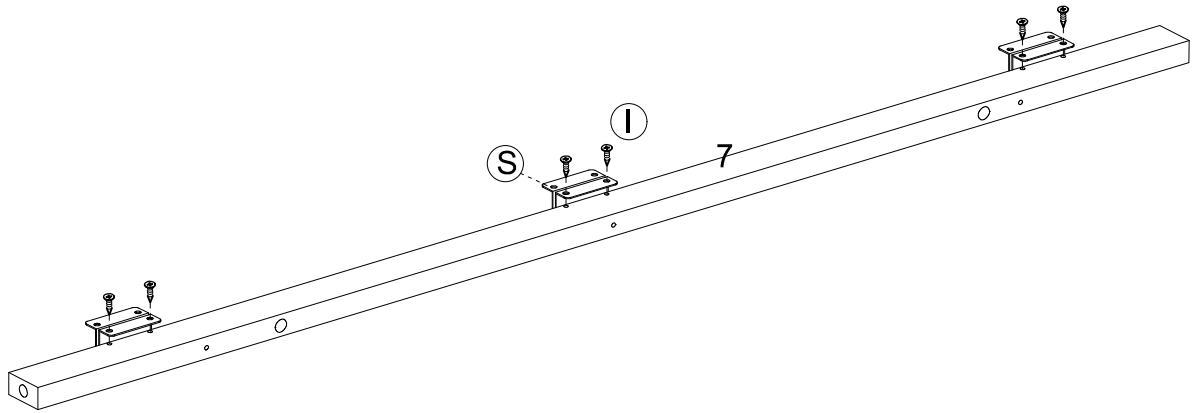


Crosshead Screwdriver (not provided)

Step 1: Attach the Hinge to the Hinge Support Bar (7) .

Ⓘ 6pcs

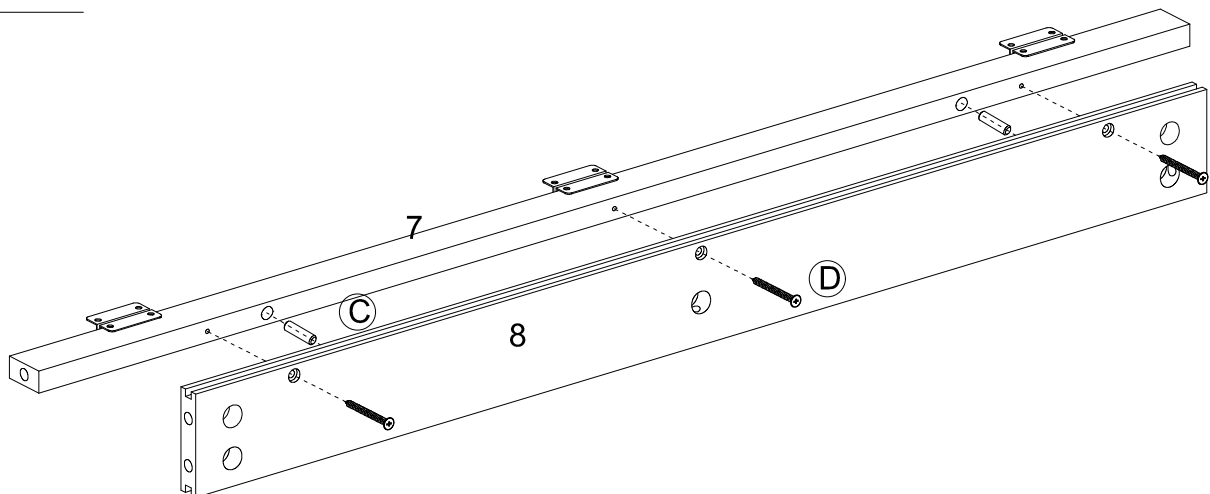
Ⓢ 3pcs



Step 2: Attach Lower Support Bar (8) to Hinge Support Bar (7) .

Ⓓ 3pcs

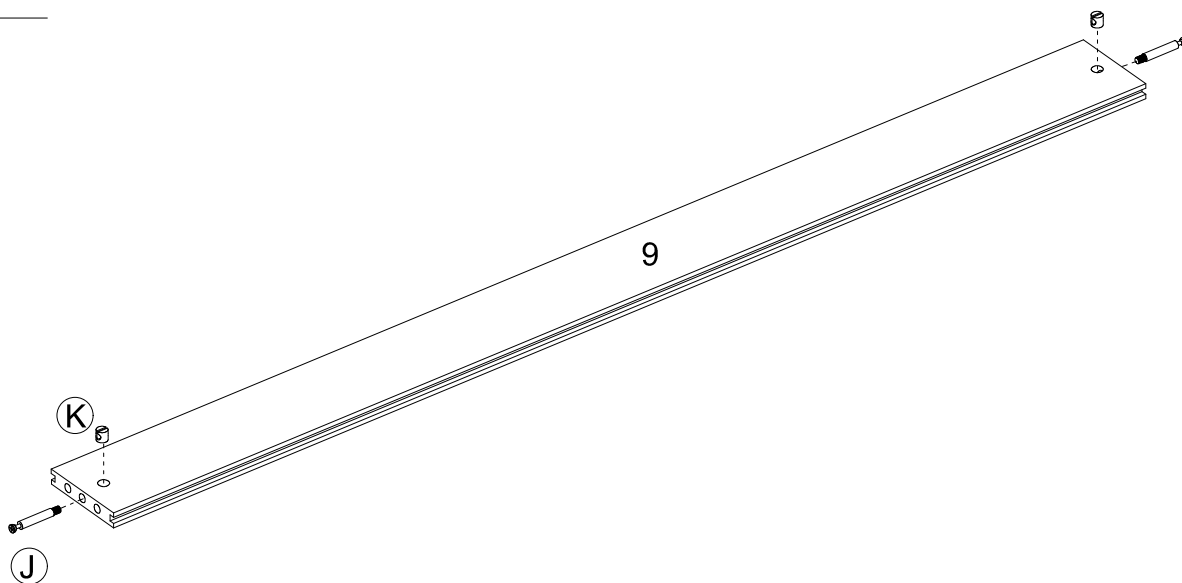
Ⓒ 2pcs



Step 3: Attach the fittings to the Middle Support Bar (9).

ⓐ 2pcs

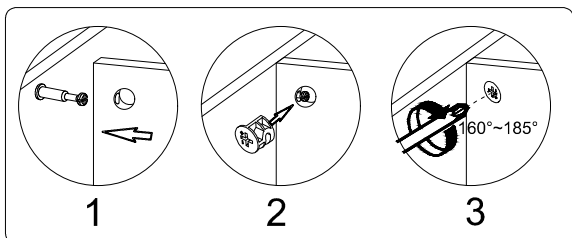
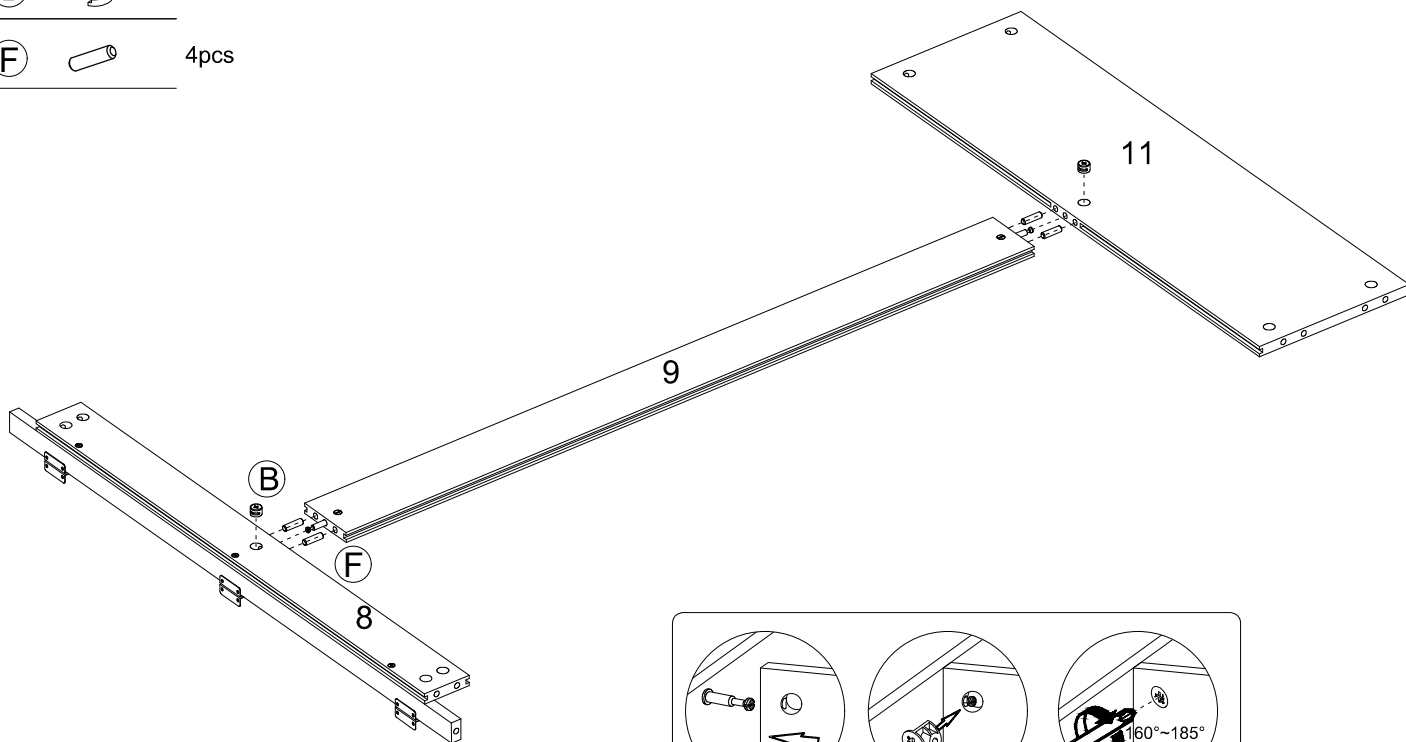
ⓑ 2pcs



Step 4: Attach the Lower Support Bar (8) and Upper Support Panel (11) to the Middle Support Bar (9).

Ⓒ 2pcs

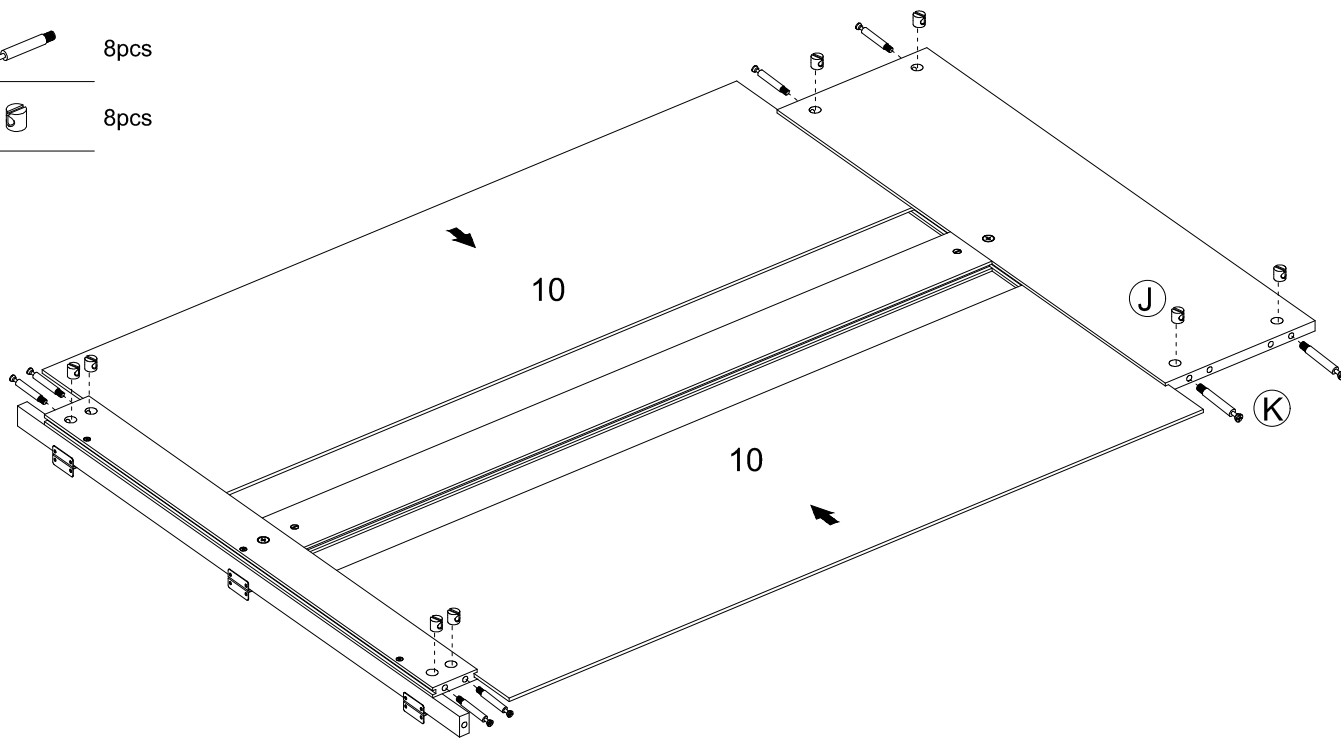
Ⓓ 4pcs



Step 5: Attach the Upper Back Panel (10) to the Frame.

ⓐ 8pcs

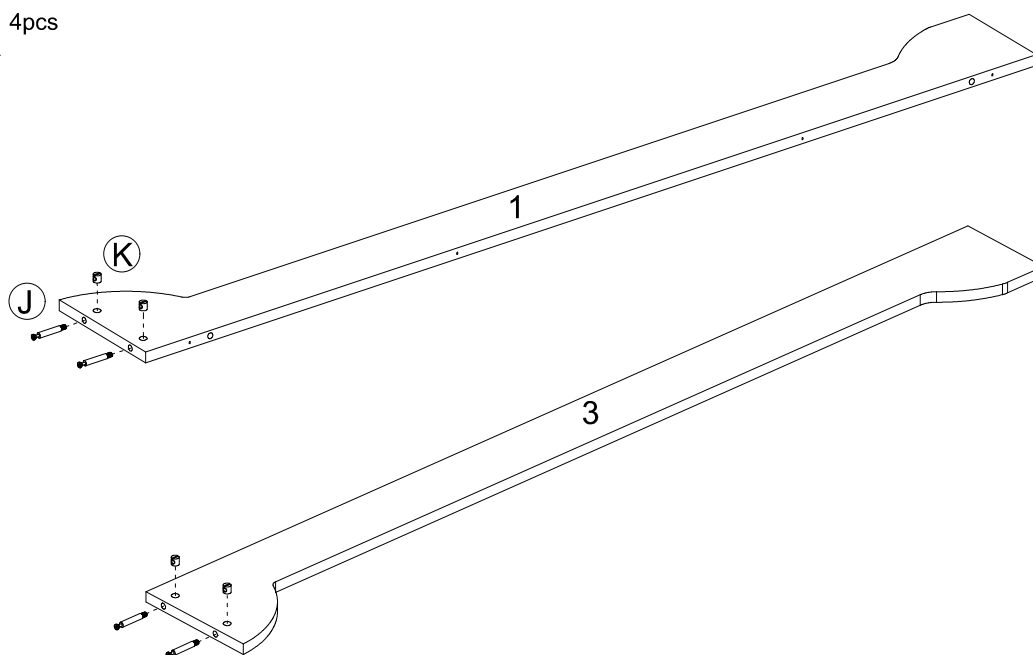
ⓑ 8pcs



Step 6: Attach the fittings to the Upper Left Panel (1) and Upper Right Panel (3).

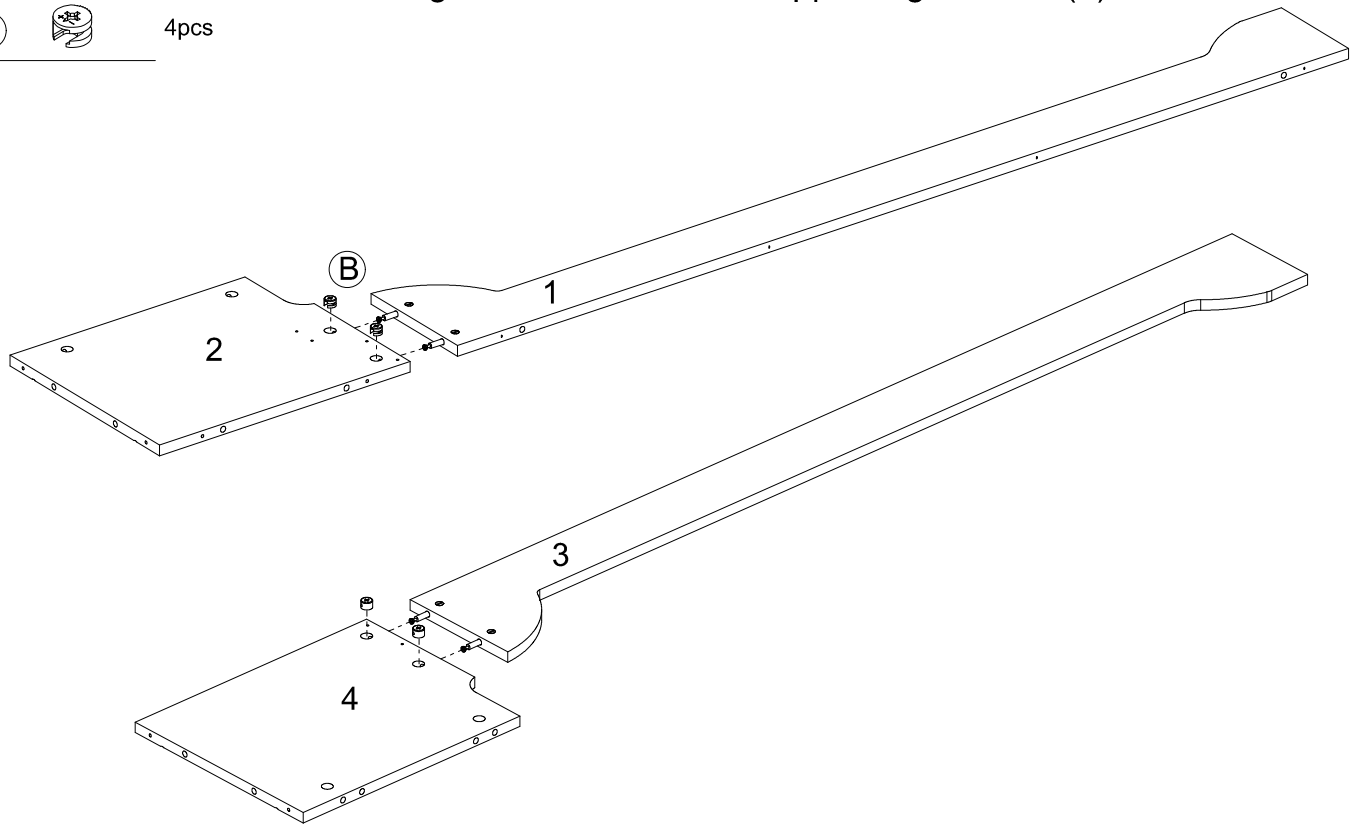
ⓐ 4pcs

ⓑ 4pcs



Step 7: Attach the Lower Left Panel (2) to the Upper Left Panel (1).
Attach the Lower Right Panel (4) to the Upper Right Panel (3).

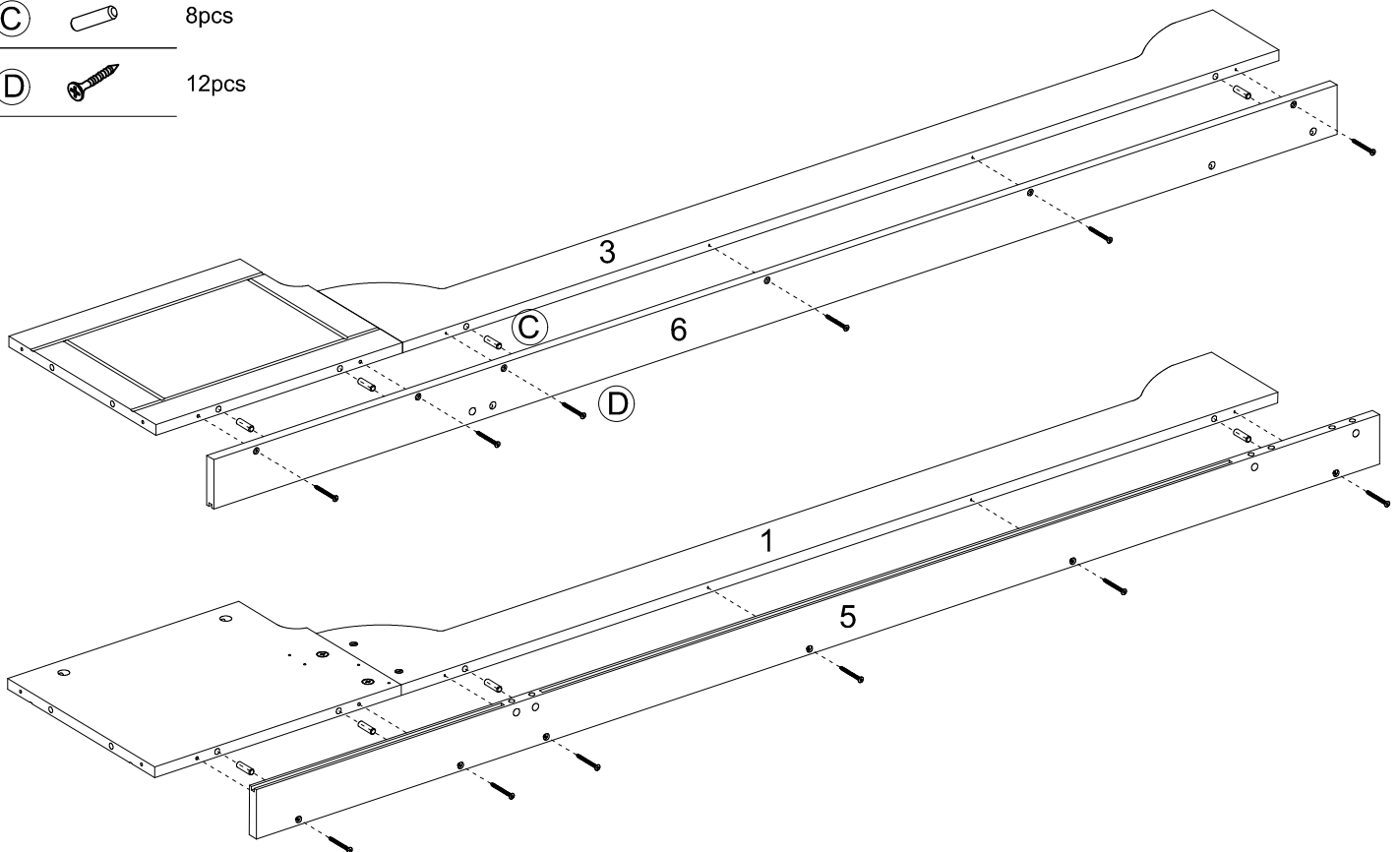
(B)  4pcs



Step 8: Attach the Right Support Panel (6) to the Upper Right Panel (3).
Attach the Left Support Panel (5) to the Upper Left Panel (1).

(C)  8pcs

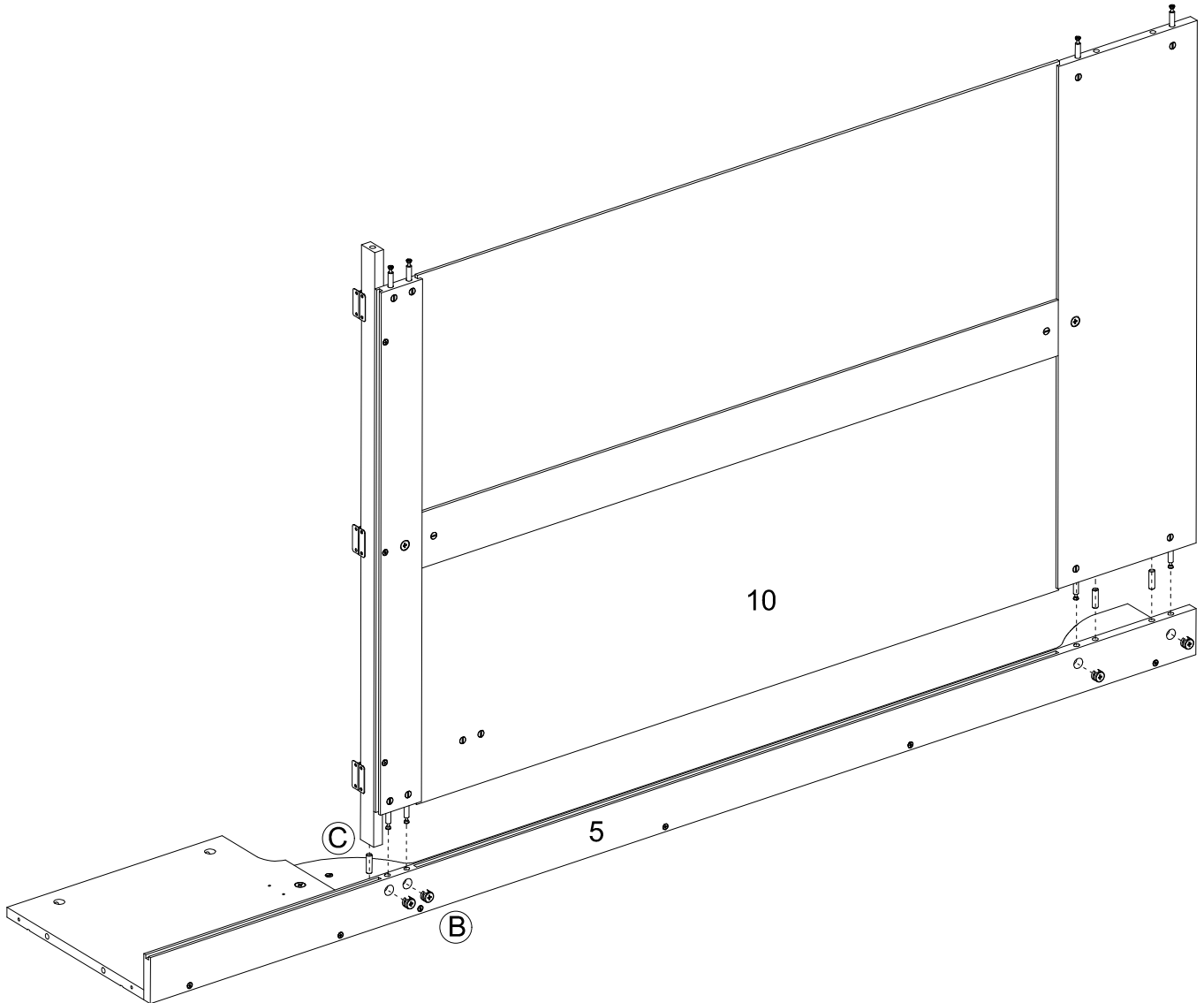
(D)  12pcs



Step 9: Attach the Frame to Left Support Bar (5).

Ⓑ  4pcs

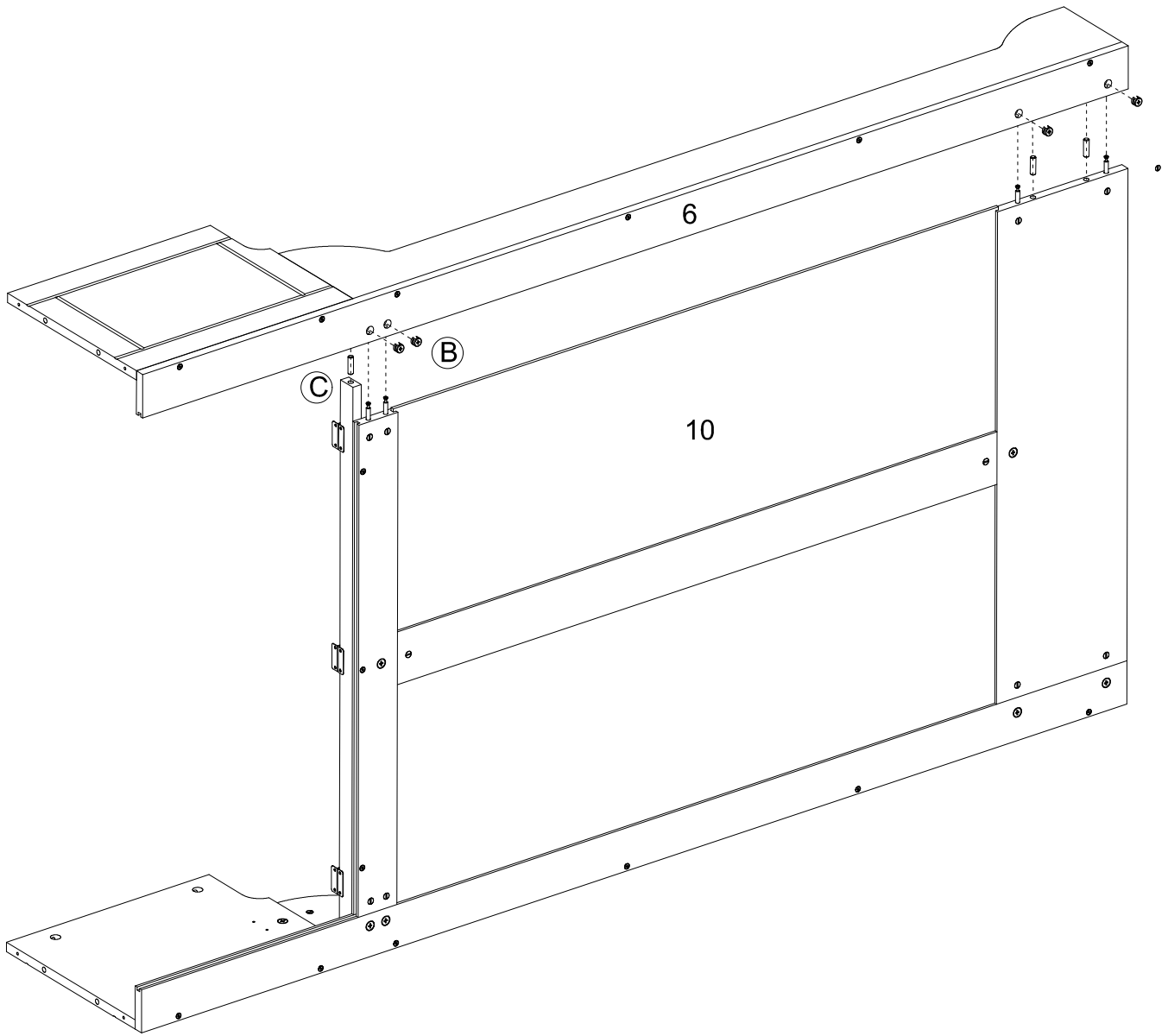
Ⓒ  3pcs



Step 10: Attach the Right Support Bar (6) to the Frame.

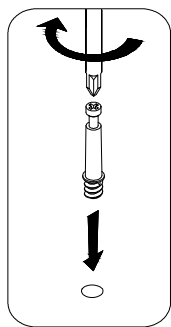
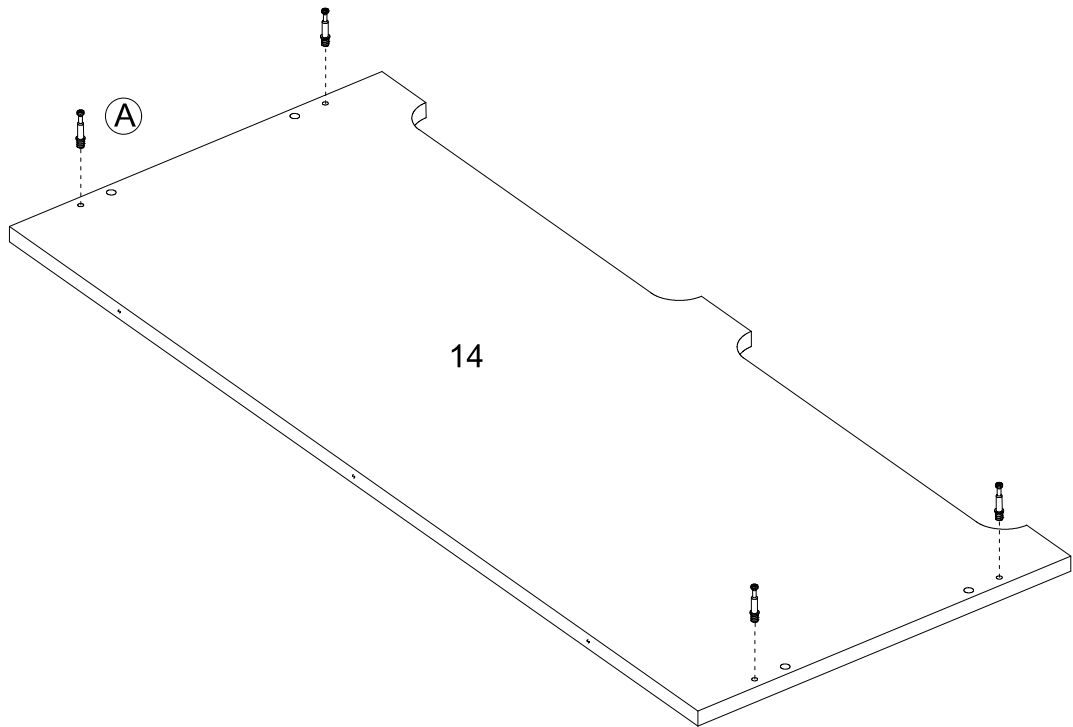
(B)  4pcs

(C)  3pcs



Step 11: Attach the Cam Bolt to the Front Panel (14) .

(A)  4pcs

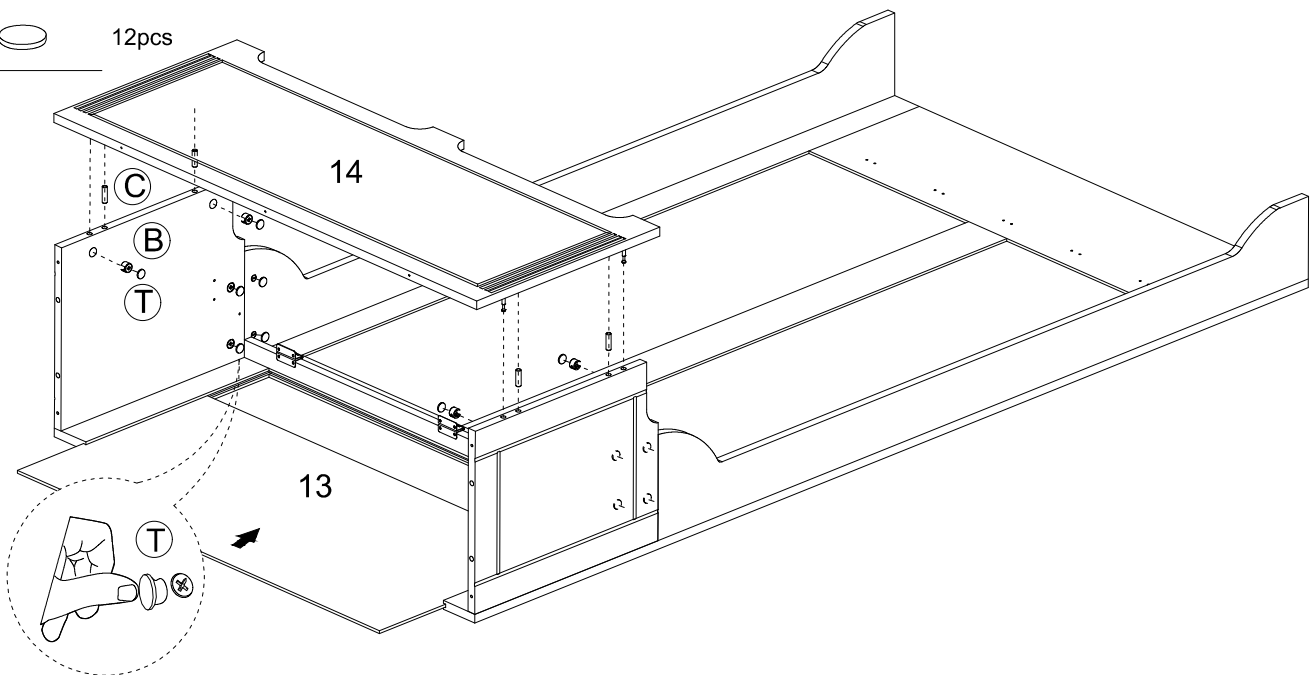


Step 12: Attach the Front Panel (14) to the Frame, then attach the Lower Back Panel (13) to the Frame.

(B)  4pcs

(C)  4pcs

(T)  12pcs

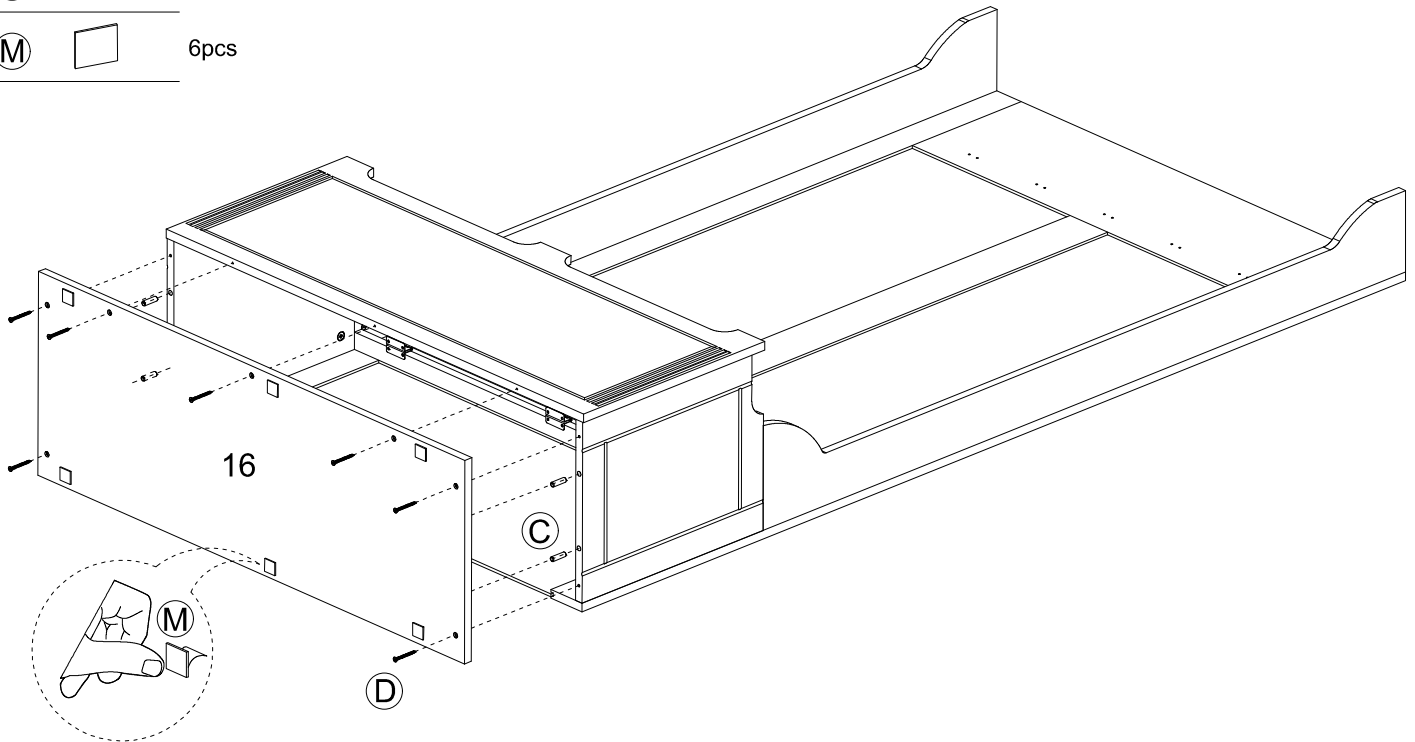


Step 13: Attach the Bottom Panel (16) to the Frame, then attach the Felt Mat (M) to the Bottom Panel (16).

(C)  4pcs

(D)  7pcs

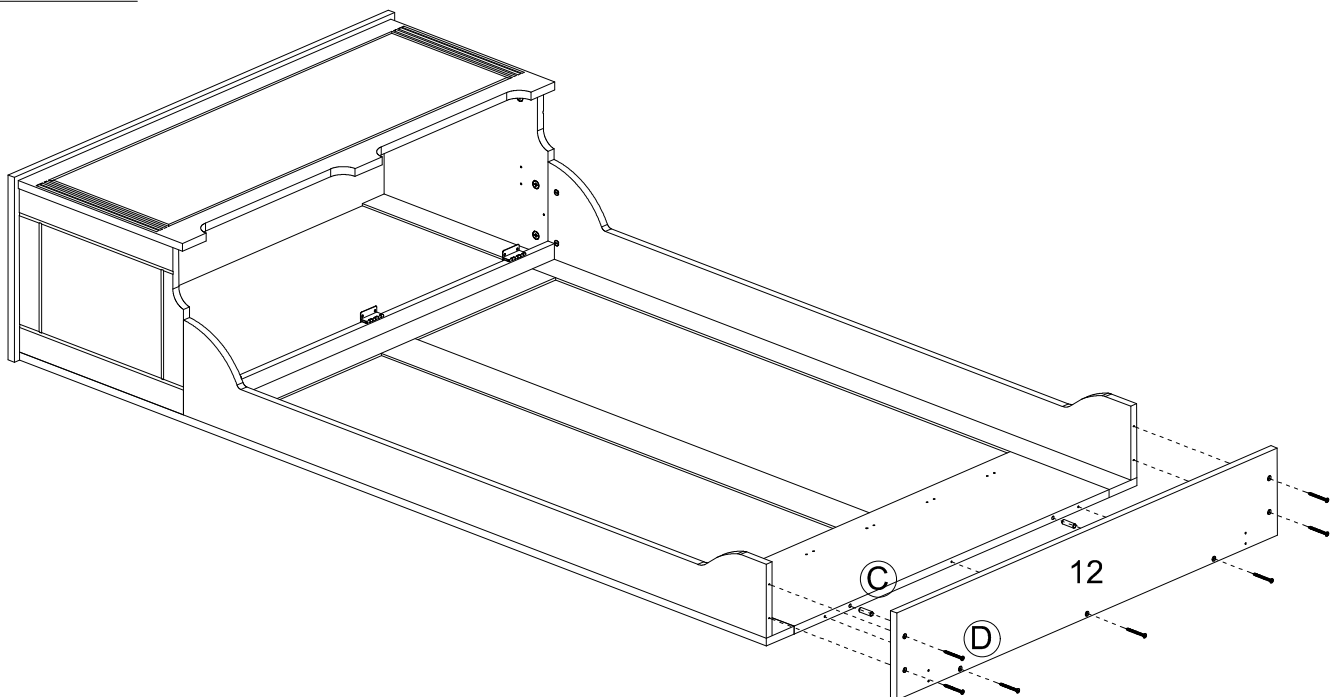
(M)  6pcs



Step 14: Attach the Top Panel (12) to the Frame.

(C)  2pcs

(D)  7pcs



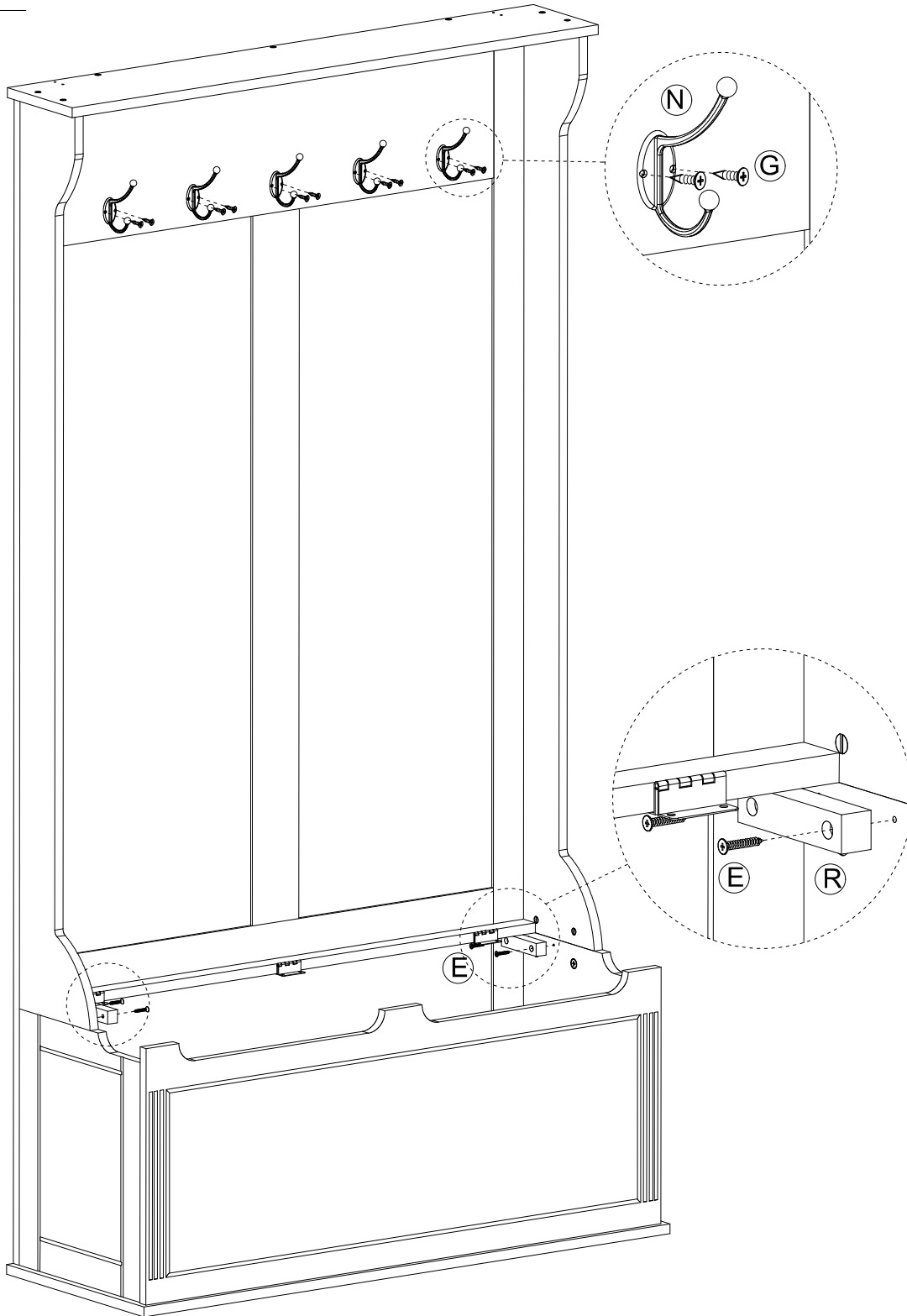
Step 15: Attach the wooden block to the Frame, then attach the Pothook (N) to the Frame.

Ⓔ 4pcs

Ⓖ 10pcs

Ⓗ 5pcs

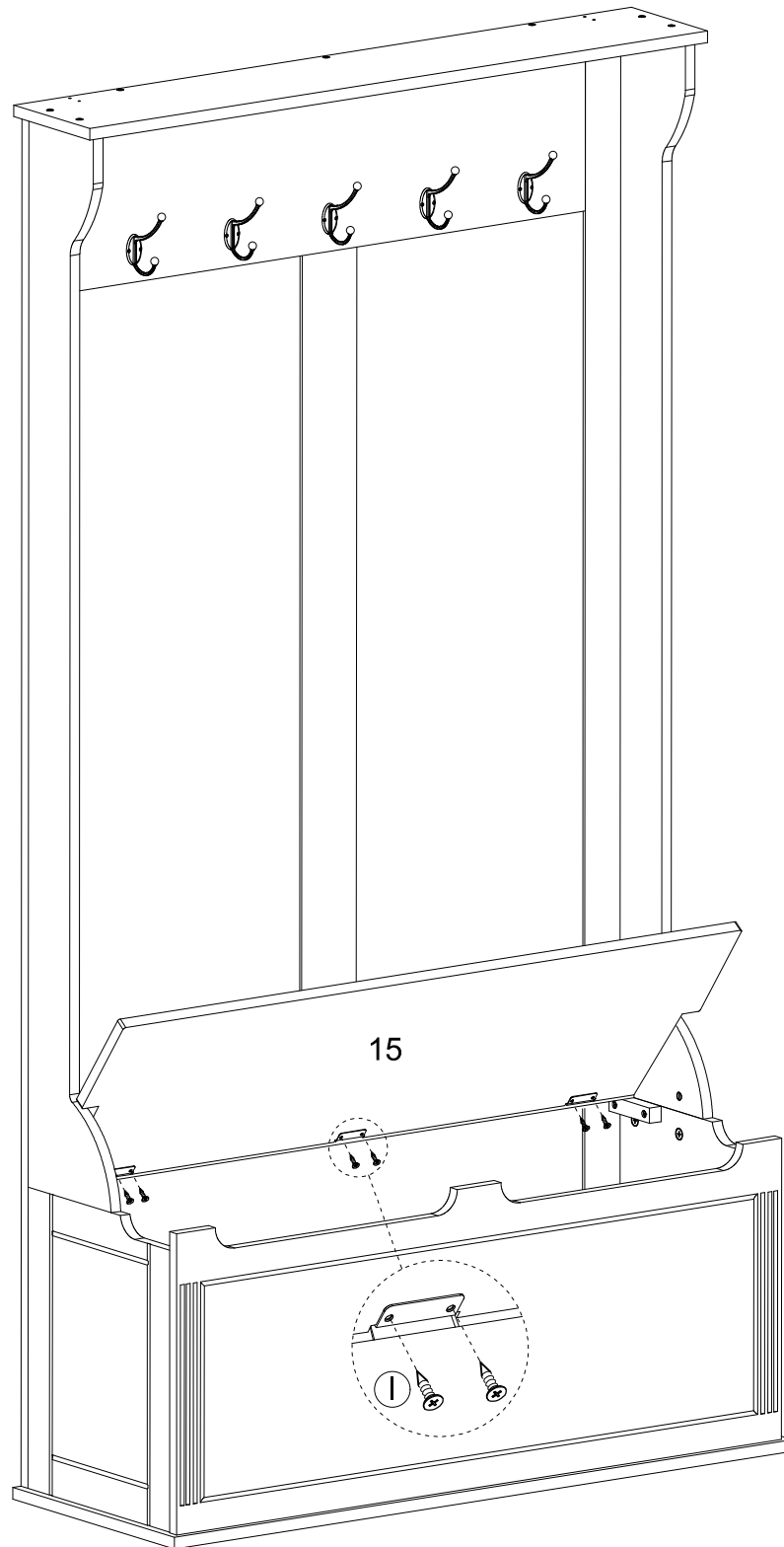
Ⓓ 2pcs








Step 16: Attach the Door (15) to the Frame .

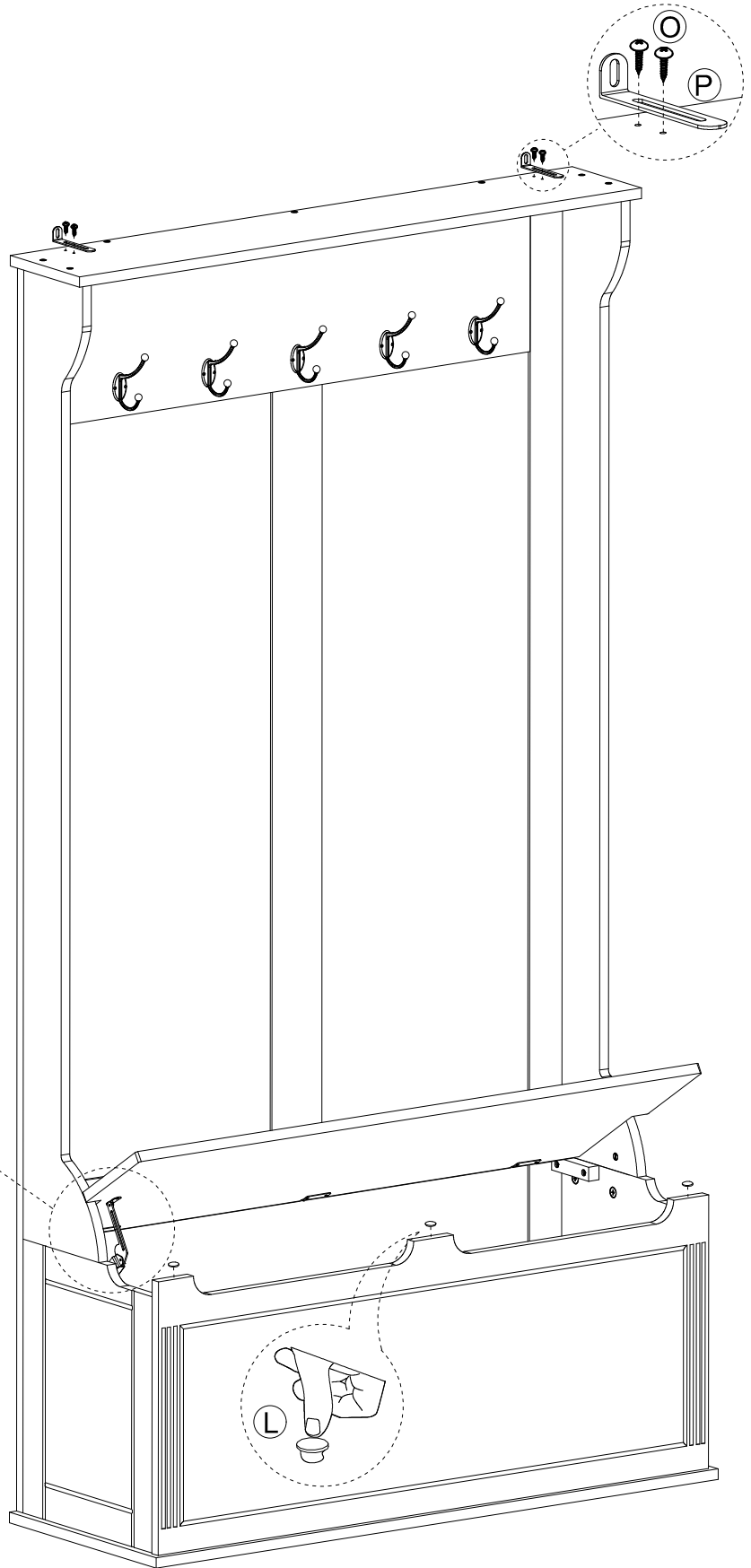
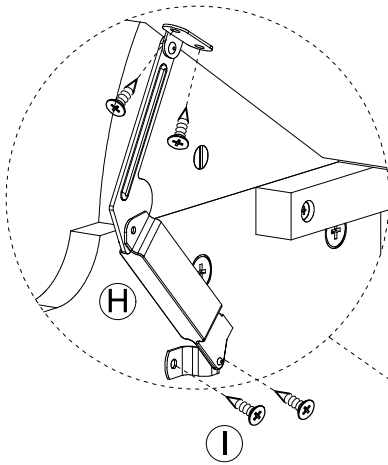


6pcs



Step 17: Attach Support Hinge and Wall Anchor to the Frame.

- H  1pc
- I  4pcs
- O  4pcs
- P  2pcs
- L  3pcs



Step 18: Fix the wall bracket to the wall by drilling holes, inserting wall anchors, and securing it with screws.

ⓓ 2pcs

Ⓚ 2pcs

