

DUSK.COM

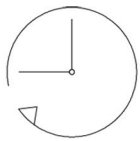
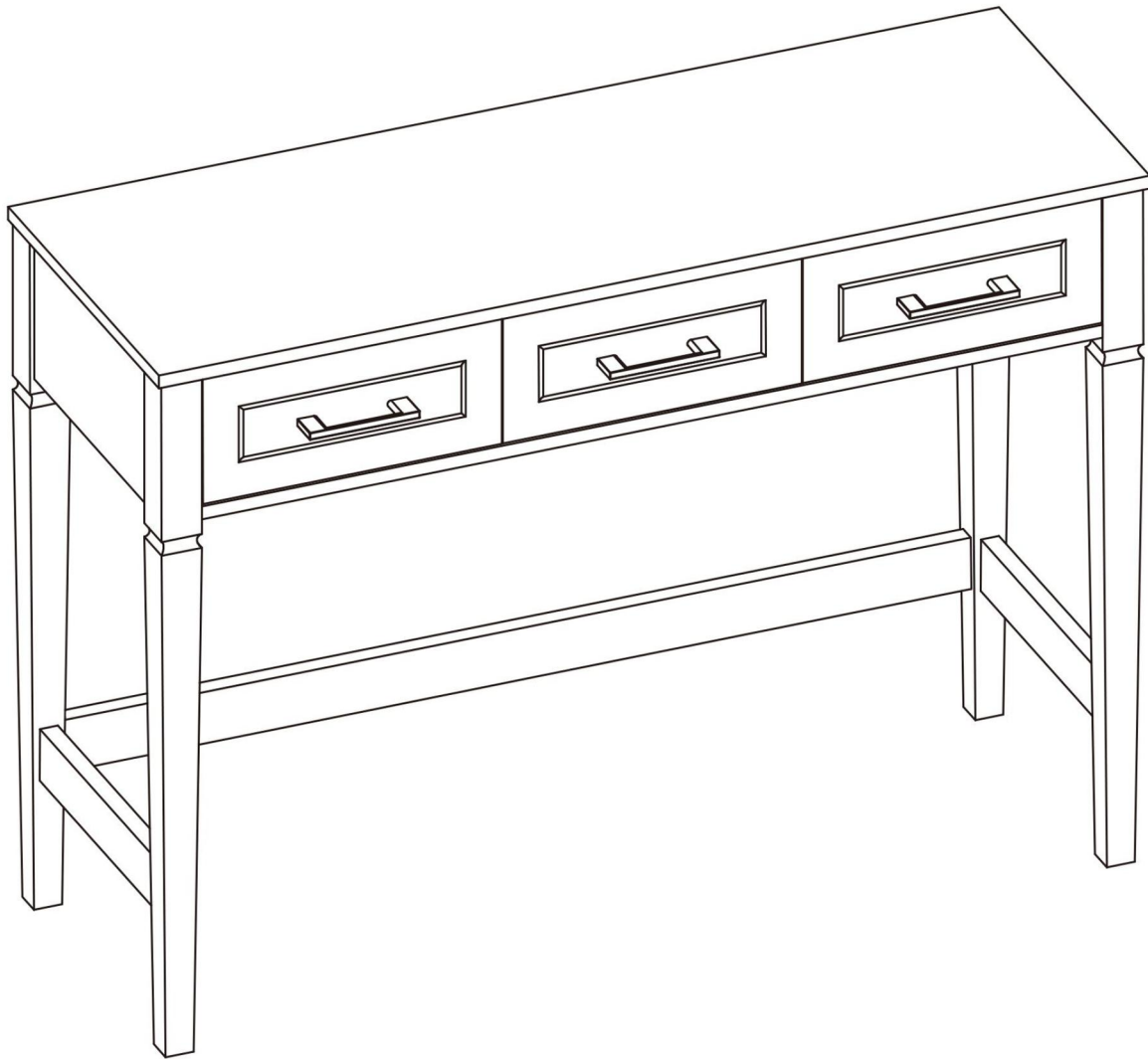
LIVING | BEDROOM | DINING

Range Name: Sienna

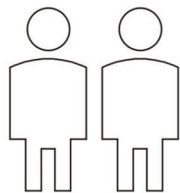
Box 1 dimensions : W123xD48xH21 cm

Product Dimension : W110xD40xH80 cm

Console Table



Up to 90 minutes
assembly time



Two person
assembly



Electric screwdriver
prohibited

This product is intended for domestic use only, not for commercial purposes.

IMPORTANT

ASSEMBLY TIP

Before you begin, it's best to identify all of the parts and fittings to build your console Table frame. We advise laying these out on the floor to check you have everything, and to familiarise yourself with all of the parts and fittings before building.

TOP TIP

We recommend that you assemble the console Table in the room you'd like it to be located. This will help prevent any risk of damage to the frame whilst moving it.

SAFETY AND CARE

1. It's important to ensure children and animals are kept away from the assembly area, as there are small components used in this product which could present a choking hazard. All plastic and wrapping materials should also be kept away from children and animals to prevent any risk of suffocation.
2. Do not stand on your product.
3. Always use the item on firm level ground, ensuring all legs remain in contact with the ground.
4. Place heaviest items in the lowest drawers.
5. Do not set TV or other heavy objects on top of the product.
6. Children should always be under supervision whilst using this product. Never allow children to climb on the drawers.
7. Never keep more than one drawer open at the same time.
8. In order to prevent overturning, this product must be used with the wall attachment device provided.
9. Serious or fatal crushing injuries can occur from tipping furniture.

HELP AND SUPPORT

Please contact our customer service team on 0113 519 0311 if you have any questions or issues with your purchase.

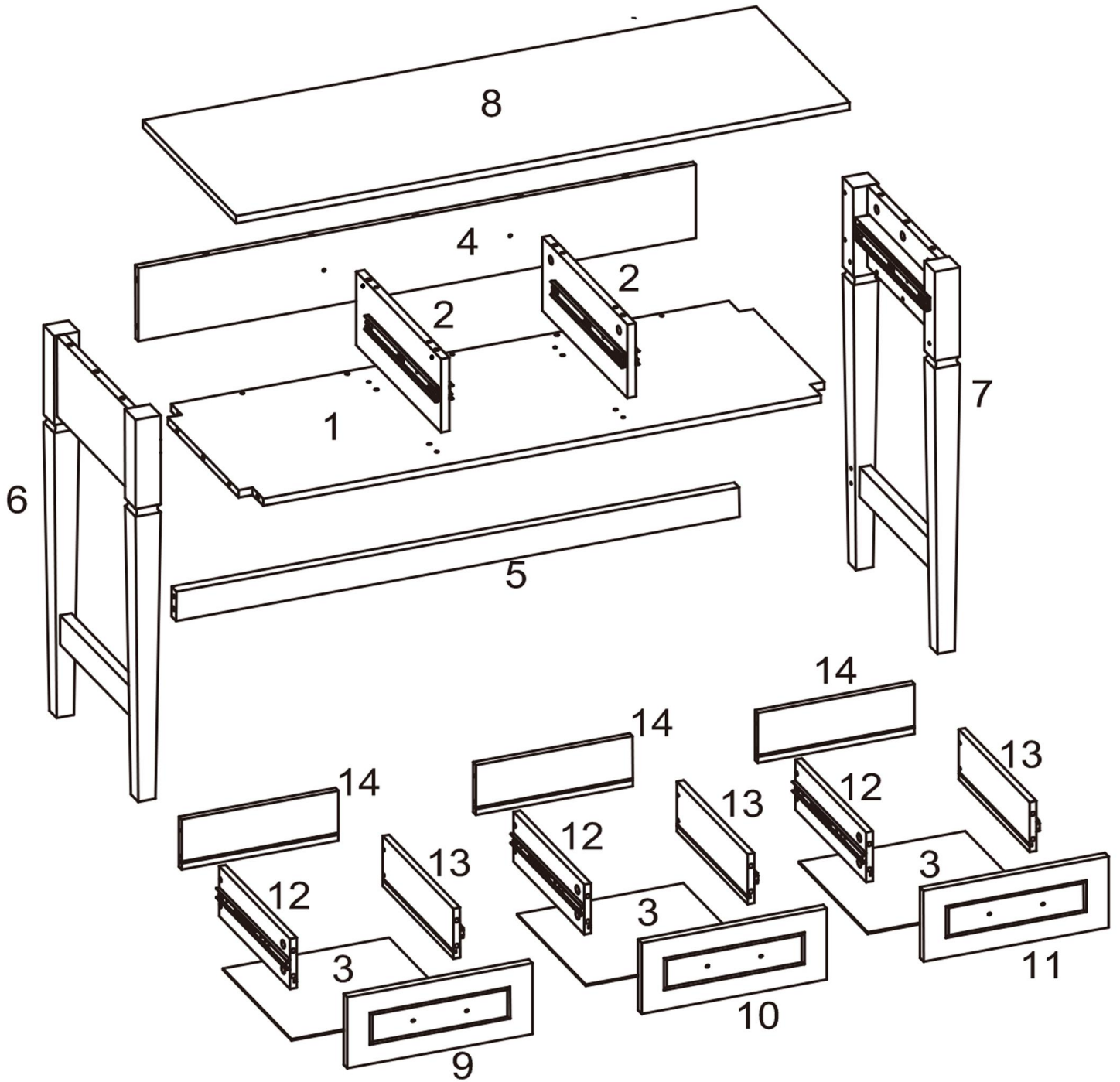
RECYCLING

Please ensure that packaging is disposed of in a safe and environmentally friendly way, and recycle where possible. Please keep your assembly instructions safe to refer back to in the future.

CARE AND MAINTENANCE

1. Only clean using a damp cloth, do not use bleach or abrasive cleaners as they may damage the finish over time.
2. Do not use a very wet cloth or allow any liquid to contact with the surface for a long period of time. Wipe any spillage immediately. Absorption can cause wood to warp or finishes to de-laminate.
3. Do not scrub or rub the surface when cleaning.
4. Do not drag the console Table when moving, lift it off the floor instead.
5. Use a placemat or a coaster when putting hot items (e.g. hot drinks and dishes) on the wood surface.
6. It is not recommended to place the item next to sources of heat such as radiators, fires or directly exposed to sunlight. This may cause the wood to crack, split or fade due to the heat and humidity.
7. Wood will mellow and change colour over time, we recommend that ornaments and items placed on the surface to be moved regularly to prevent uneven mellowing.
8. Regularly check all fixings to ensure none have come loose. Re-tighten if necessary.
9. Avoid sharp items such as a screwdriver or any pointy tools.

Parts list



Parts list

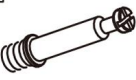







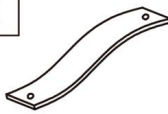


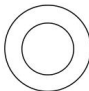

Before you begin building your console, please take a moment to read through the instructions and make sure that you have all the relevant parts listed on the parts check list.

Part Number	Part Description	Quantity	Box No
1	Bottom Panel	1 pc	Box 1
2	Middle Panel With Sides Pre-assembled	2 pcs	Box 1
3	Drawer Bottom	3 pcs	Box 1
4	Back Panel	1 pc	Box 1
5	Back Support Bar	1 pc	Box 1
6	Left Leg With Sides Pre-assembled	1 pc	Box 1
7	Right Leg With Sides Pre-assembled	1 pc	Box 1
8	Top Panel	1 pc	Box 1

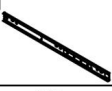
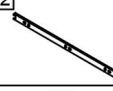
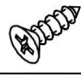
Part Number	Part Description	Quantity	Box No
9	Drawer Front	1 pc	Box 1
10	Drawer Front	1 pc	Box 1
11	Drawer Front	1 pc	Box 1
12	Drawer Left Side With Sides Pre-assembled	3 pcs	Box 1
13	Drawer Right Side With Sides Pre-assembled	3 pcs	Box 1
14	Drawer Back Side	3 pcs	Box 1

Fittings

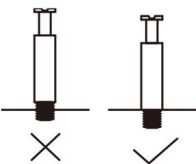
Please check you have all the fittings listed below with your product in Box 1.

A 	B 	C 	D 	E 	F 
M6*35mm Cam Lock Screw 37pcs+4pcs extra	Ø15*9mm Cam Lock 37pcs+4pcs extra	Ø8*30mm Dowel 16pcs+3pcs extra	M4*35mm Screw 17pcs+2pcs extra	Handle 3pcs	M4*18mm Bolt 6pcs+1pc extra
G 	H 	I 	J 	K 	L 
M4*40mm Screw 4pcs+1pc extra	Cover 12pcs+2pc extra	Wall Bracket 2pcs	M4*18mm Screw 2pcs	Wall Anchor 2pcs	Washer 4pcs+1pc extra
M 					
M4*60mm Screw 2pcs+1pc extra					

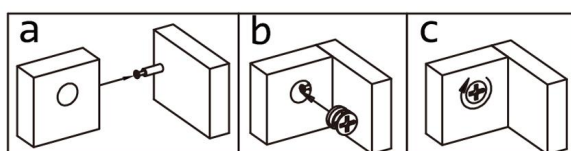
Pre-assembled Fittings.

e₁ 	e₂ 	Y 
Slide 6pcs	Slide 6pcs	Ø3x12mm Screw 36pcs

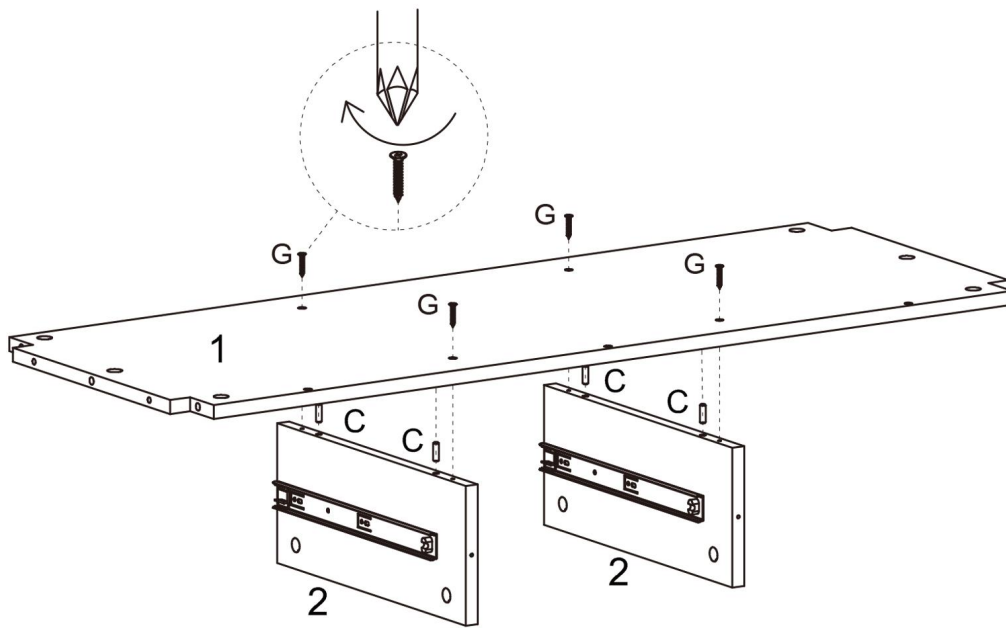
Ensure the cam lock screws are installed correctly, as indicated by the "check mark" below.





Refer to the illustration below to correctly use the cam lock screws for assembling the panels.

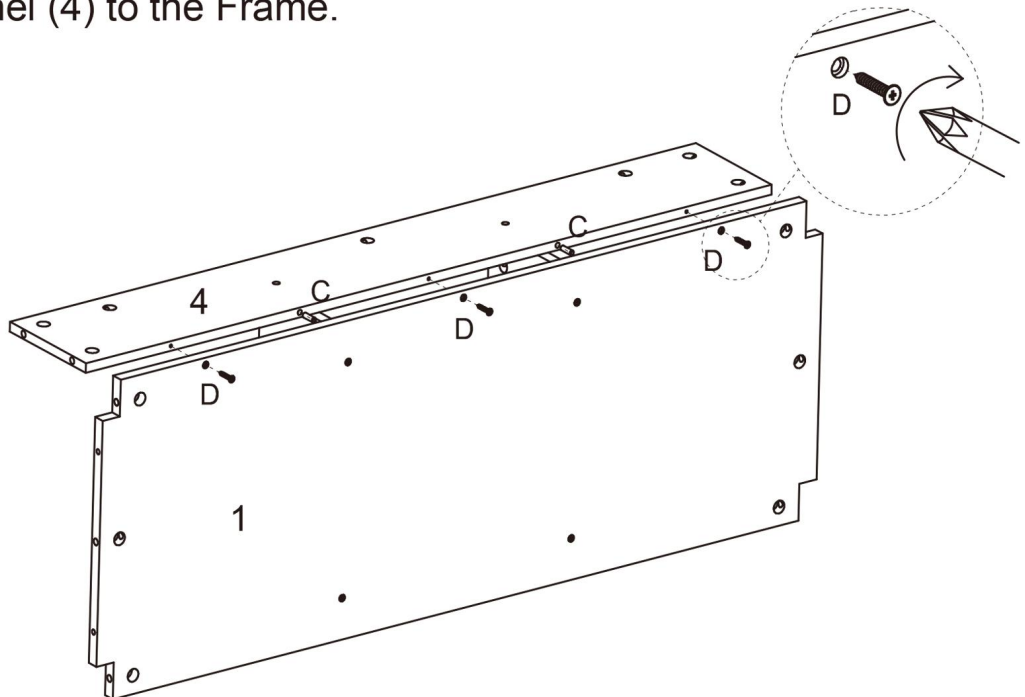




1. Attach Middle Panel (2) to the Bottom Panel (1).



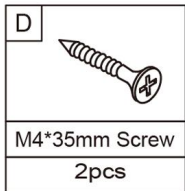
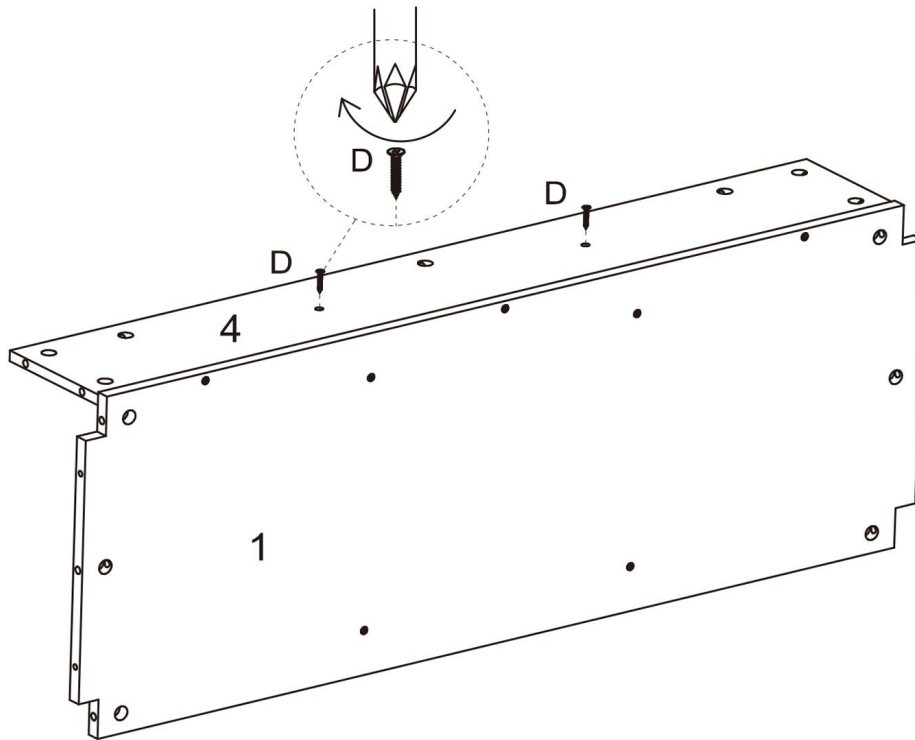
G		C	
M4*40mm Screw		Ø8*30mm Dowel	
4pcs		4pcs	

2. Attach Back Panel (4) to the Frame.

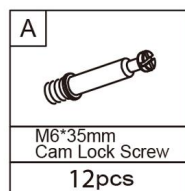
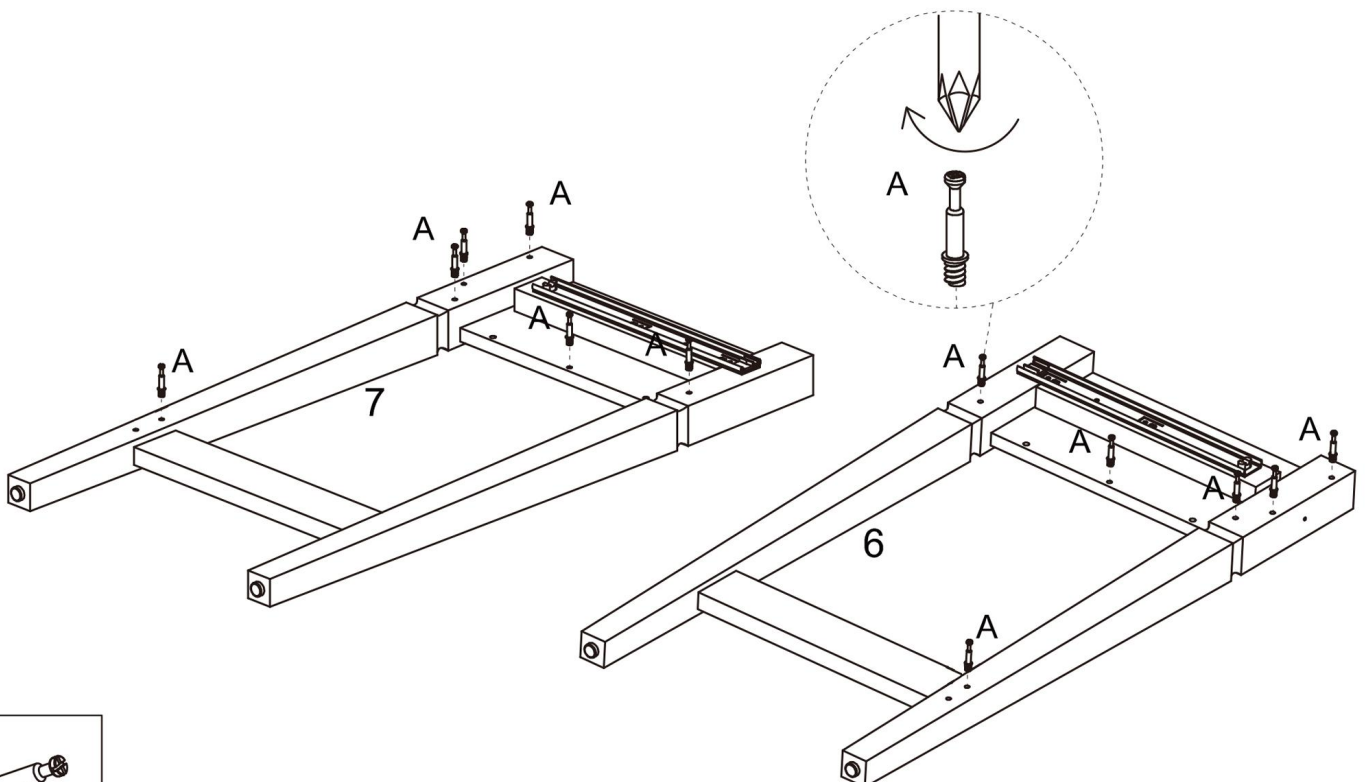


D		C	
M4*35mm Screw		Ø8*30mm Dowel	
3pcs		2pcs	

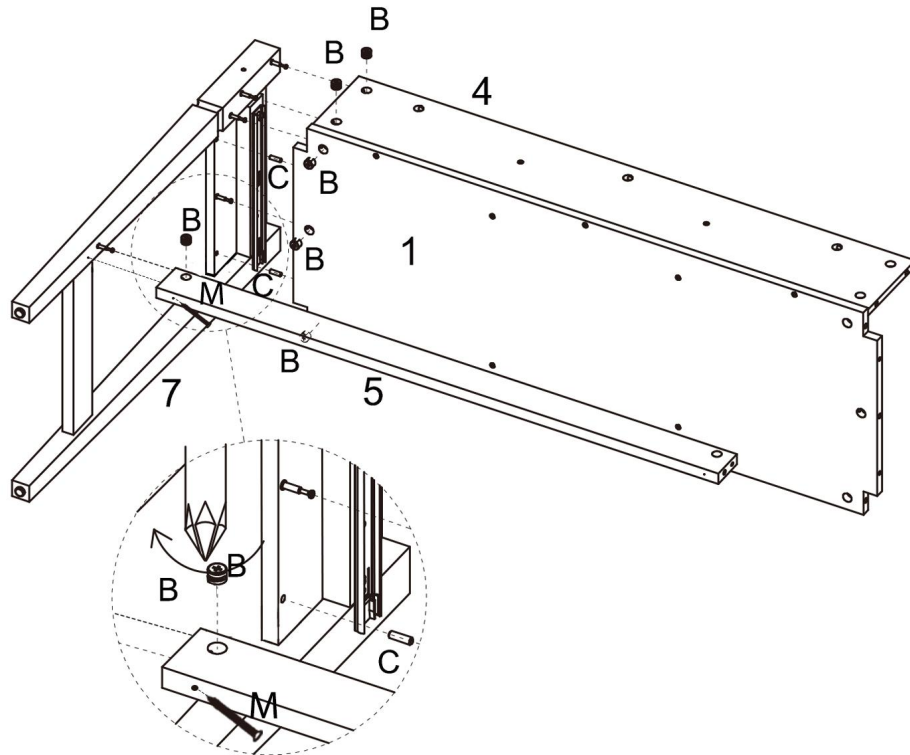
3. Attach M4*35mm Screws to Back Panel (4).






4. Attach Cam Lock Screws to Legs (6,7).

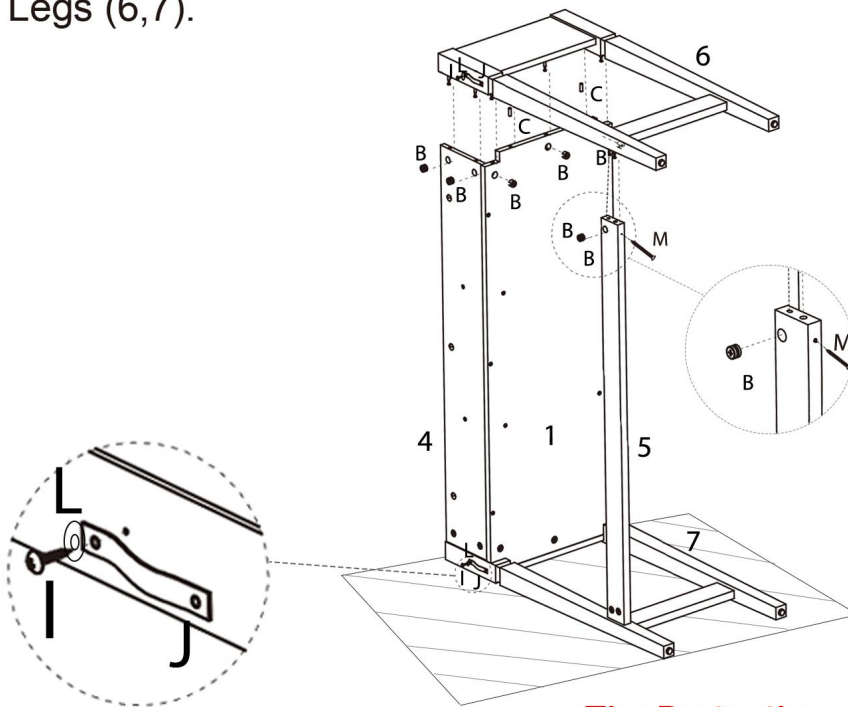


5. Attach the Right Leg (7) to the Frame of back and Back Support Bar (5).









B	C	M
		
Ø15*9mm Cam Lock	Ø8*30mm Dowel	M4*60mm Screw
6pcs	2pcs	1pc

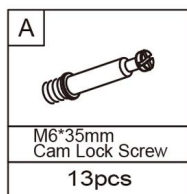
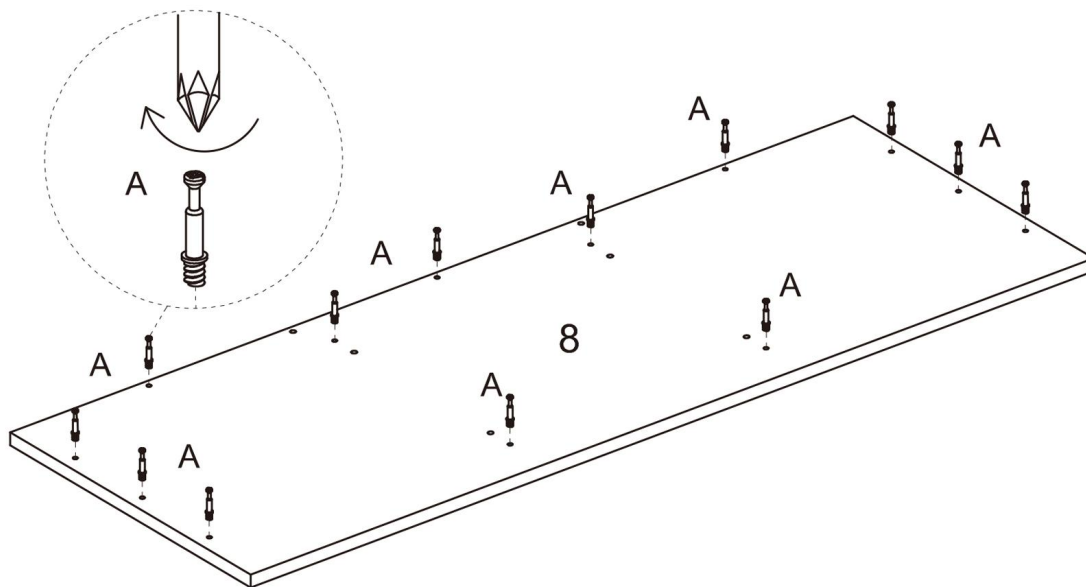
6. Attached the Left Leg (6) to the Frame of back, and attach the Wall Brackets to the Legs (6,7).



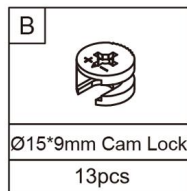
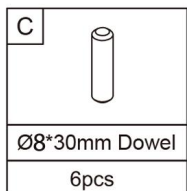
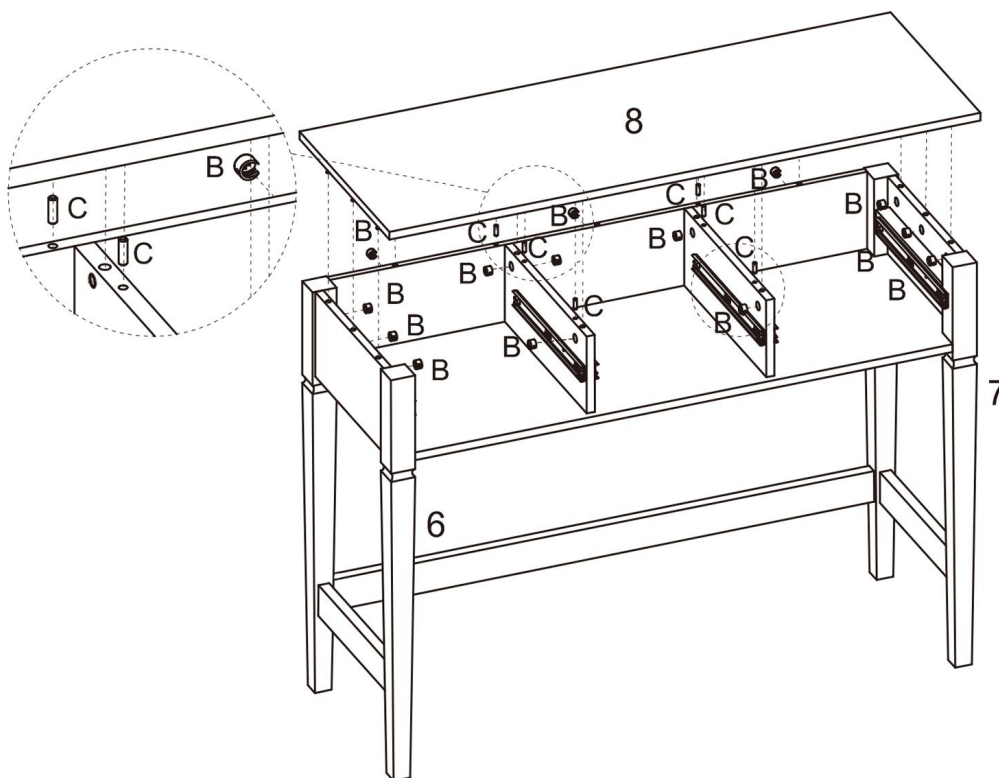
Tip: Protective mats are required underneath

J	I	C	B	M	L
					
M4*18mm Screw	Wall Bracket	Ø8*30mm Dowel	Ø15*9mm Cam Lock	M4*60mm Screw	Washer
2pcs	2pcs	2pcs	7pcs	1pc	2pcs

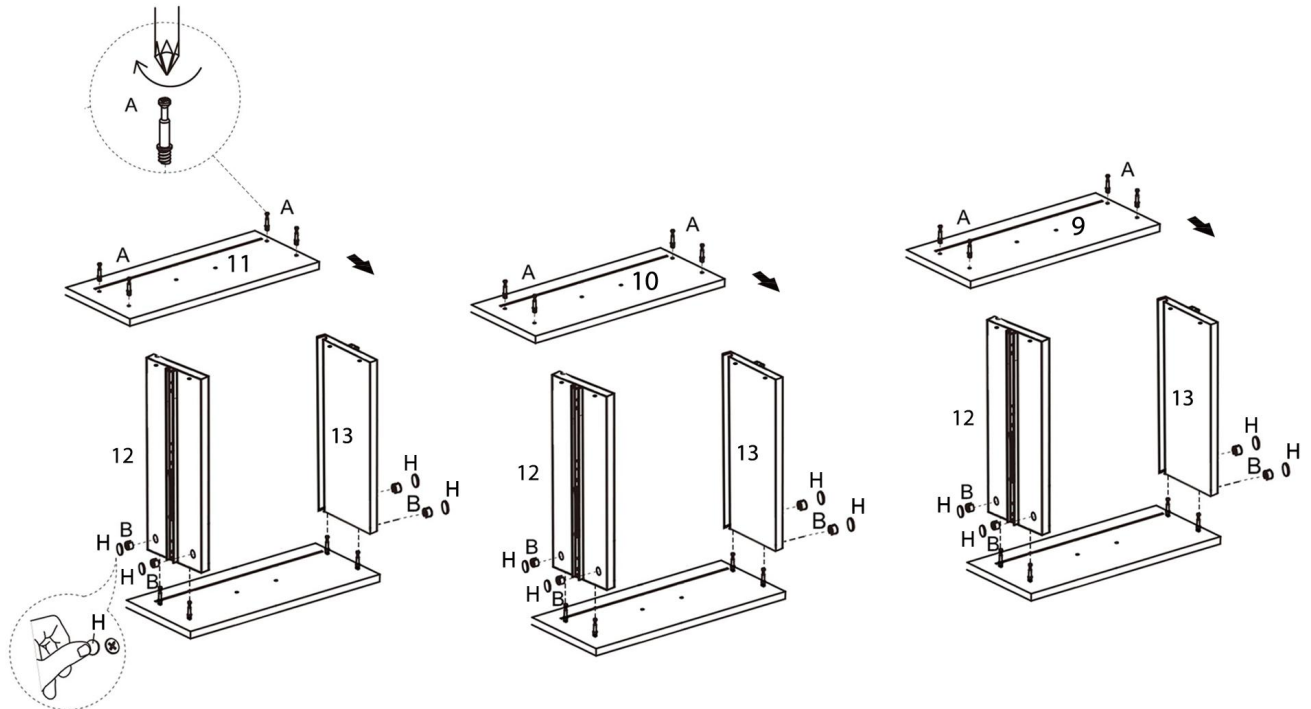
7. Attach Cam Lock Screw to Top Panel (8).



8. Attach Top Panel (8) to the Frame.

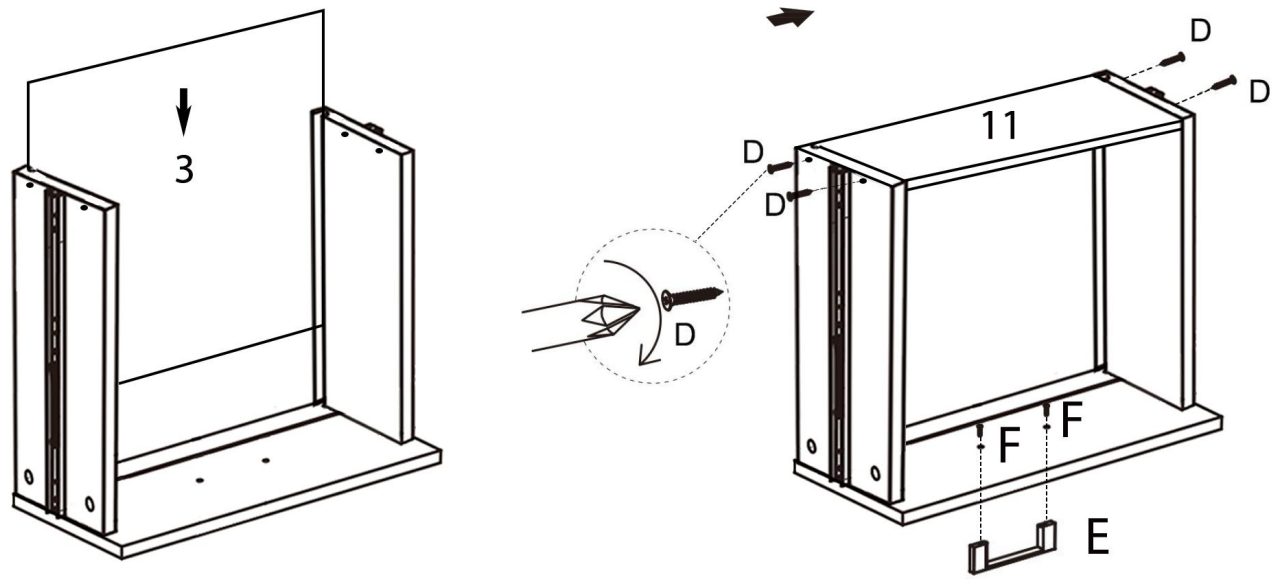


9. Align and attach the handle to the drawer front (9,10,11), then secure the drawer front to the frame.



Cover 12pcs	Ø15*9mm Cam Lock 12pcs	M6*35mm Cam Lock Screw 12pcs

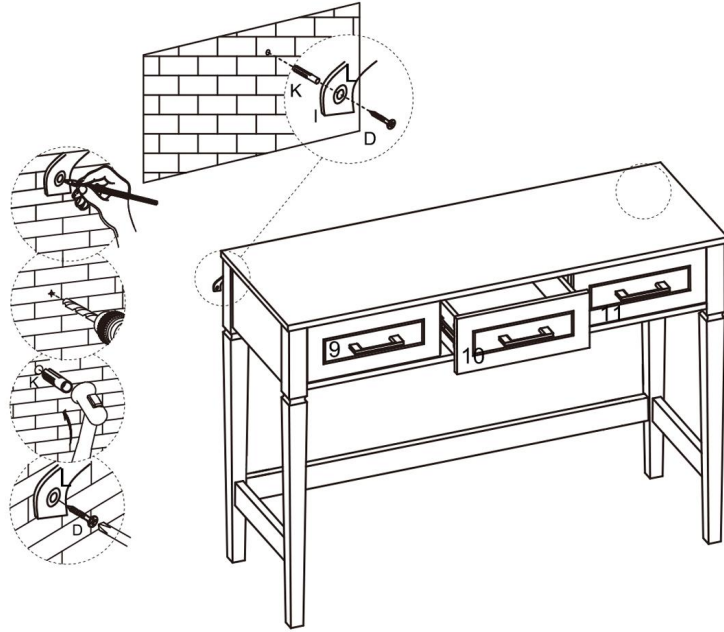
10. Assemble the drawer by following the steps shown in the illustration below.






X3

M4*35mm Screw 12pcs	M4*18mm Bolt 6pcs	Handle 3pcs

11. Fix the wall bracket to the wall by drilling holes, inserting wall anchors, and securing it with screws. Slide the Drawers into the Frame.



K	D	L
		
Wall Anchor	M4*35mm Screw	Washer
2pcs	2pcs	2pcs

