

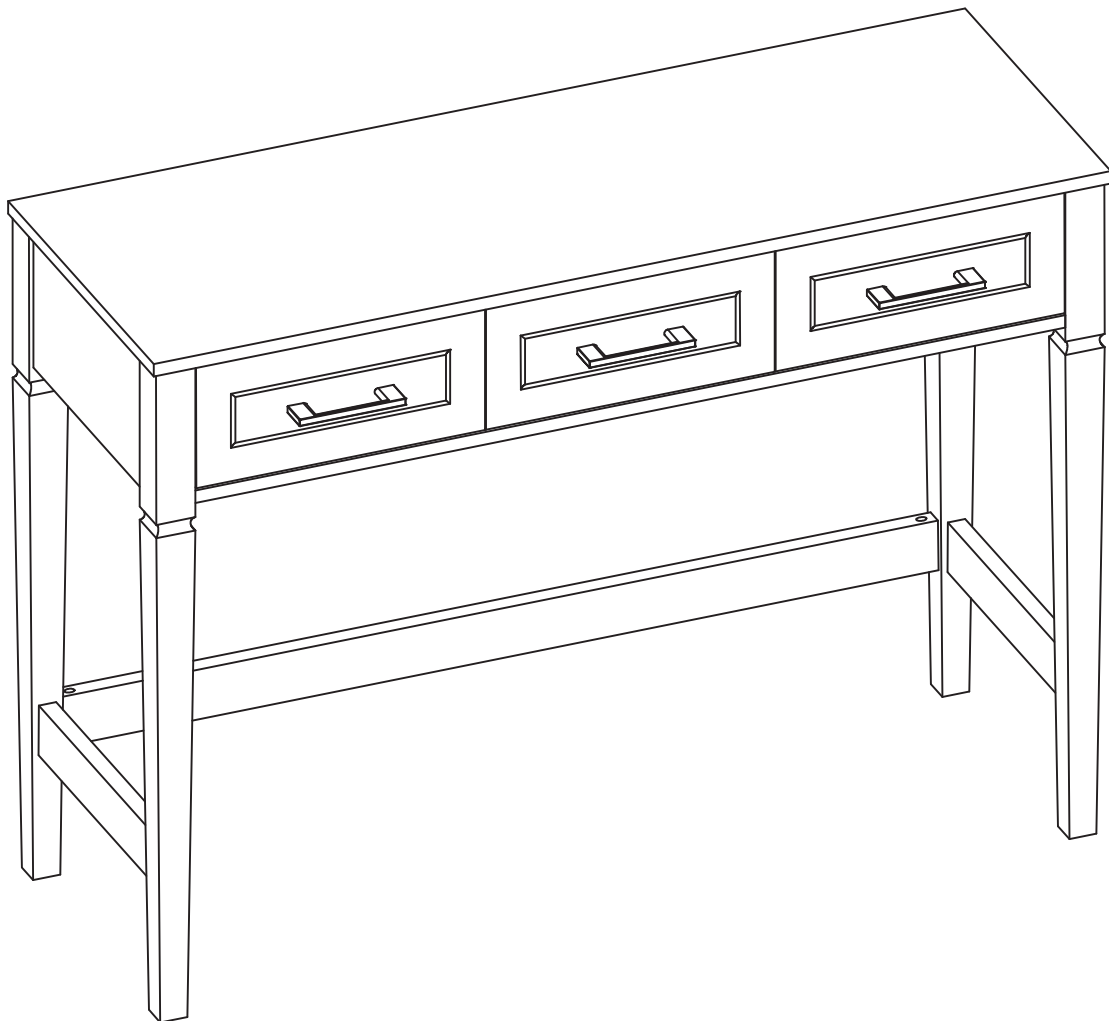
# DUSK.COM

LIVING | BEDROOM | DINING

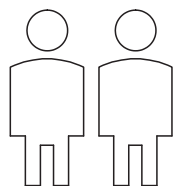
Range Name: Sienna

Box dimensions: L123xW47xH18.5 (cm)

## Console



Up to 45 minutes  
assembly time



Two person  
assembly

This product is intended for domestic use only, not for commercial purposes.

# IMPORTANT

## ASSEMBLY TIP

Before you begin, it's best to identify all of the parts and fittings to build your console frame. We advise laying these out on the floor to check you have everything, and to familiarise yourself with all of the parts and fittings before building.

## TOP TIP

We recommend that you assemble the console in the room you'd like it to be located. This will help prevent any risk of damage to the frame whilst moving it.

## SAFETY AND CARE

1. It's important to ensure children and animals are kept away from the assembly area, as there are small components used in this product which could present a choking hazard. All plastic and wrapping materials should also be kept away from children and animals to prevent any risk of suffocation.
2. Do not stand on your product.
3. Always use the item on firm level ground, ensuring all legs remain in contact with the ground.
4. Place heaviest items in the lowest drawers.
5. Do not set TV or other heavy objects on top of the product.
6. Children should always be under supervision whilst using this product. Never allow children to climb on the drawers.
7. Never keep more than one drawer open at the same time.
8. In order to prevent overturning, this product must be used with the wall attachment device provided.
9. Serious or fatal crushing injuries can occur from tipping furniture.

## HELP AND SUPPORT

Please contact our customer service team on 0113 519 0311 if you have any questions or issues with your purchase.

## RECYCLING

Please ensure that packaging is disposed of in a safe and environmentally friendly way, and recycle where possible. Please keep your assembly instructions safe to refer back to in the future.

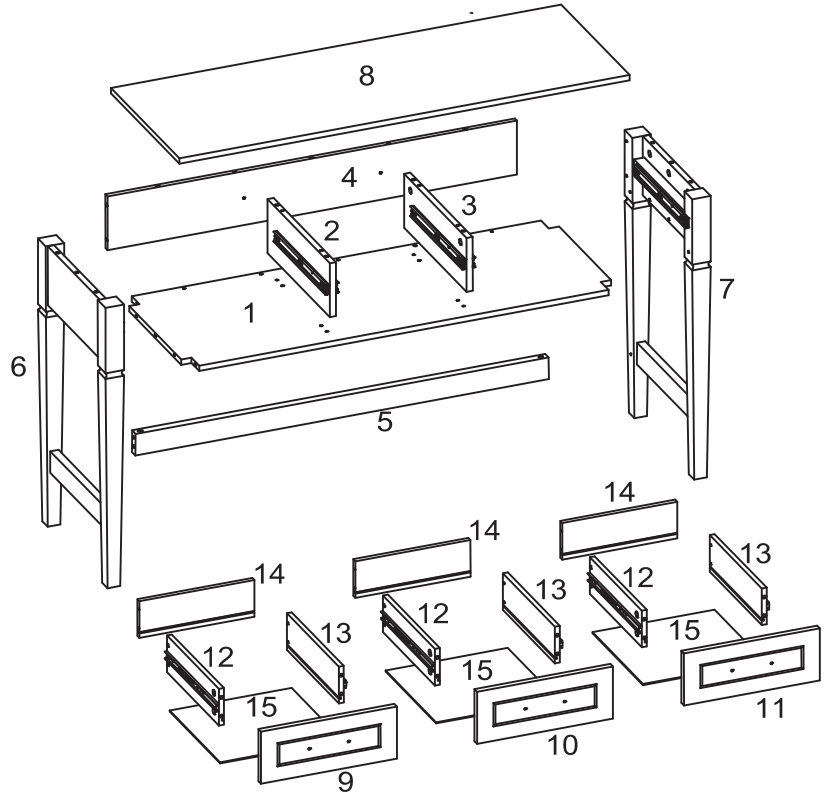
## CARE AND MAINTENANCE

1. Only clean using a damp cloth, do not use bleach or abrasive cleaners as they may damage the finish over time.
2. Do not use a very wet cloth or allow any liquid to contact with the surface for a long period of time. Wipe any spillage immediately. Absorption can cause wood to warp or finishes to de-laminate.
3. Do not scrub or rub the surface when cleaning.
4. Do not drag the console when moving, lift it off the floor instead.
5. Use a placemat or a coaster when putting hot items (e.g. hot drinks and dishes) on the wood surface.
6. It is not recommended to place the item next to sources of heat such as radiators, fires or directly exposed to sunlight. This may cause the wood to crack, split or fade due to the heat and humidity.
7. Wood will mellow and change colour over time, we recommend that ornaments and items placed on the surface to be moved regularly to prevent uneven mellowing.
8. Regularly check all fixings to ensure none have come loose. Re-tighten if necessary.
9. Avoid sharp items such as a screwdriver or any pointy tools.

# Parts list

Before you begin building your console, please take a moment to read through the instructions and make sure that you have all the relevant parts listed on the parts check list.

Part Number	Part Description	Quantity
1	Bottom Panel	1 pc
2	Left Middle Panel	1 pc
3	Right Middle Panel	1 pc
4	Back Panel	1 pc
5	Back Support Bar	1 pc
6	Left Leg	1 pc
7	Right Leg	1 pc
8	Top Panel	1 pc
9	Drawer Front	1 pc
10	Drawer Front	1 pc
11	Drawer Front	1 pc
12	Drawer Left Side	3 pcs
13	Drawer Right Side	3 pcs
14	Drawer Back Side	3 pcs
15	Drawer Bottom	3 pcs

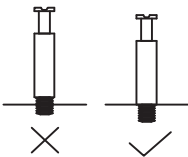


# Fittings

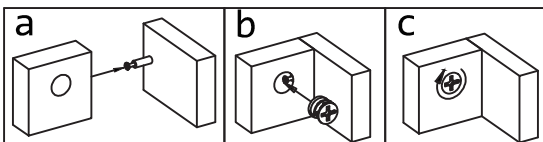
Please check you have all the fittings listed below with your product.

<b>A</b> 	<b>B</b> 	<b>C</b> 	<b>D</b> 	<b>E</b> 	<b>F</b> 
M6*35mm Cam Lock Screw	Ø15*9mm Cam Lock	Ø6*30mm Dowel	M4*35mm Screw	Handle	M4*20mm Bolt
37pcs+4pcs extra	37pcs+4pcs extra	16pcs+2pcs extra	19pcs+2pcs extra	3pcs	6pcs
<b>G</b> 	<b>H</b> 	<b>I</b> 	<b>J</b> 	<b>K</b> 	
M4*45mm Screw	Cover	Wall Bracket	M4*18mm Screw	Wall Anchor	
6pcs	14pcs+1pc extra	2pcs	2pcs	2pcs	

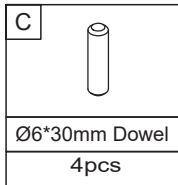
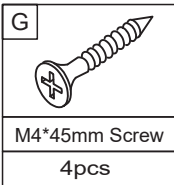
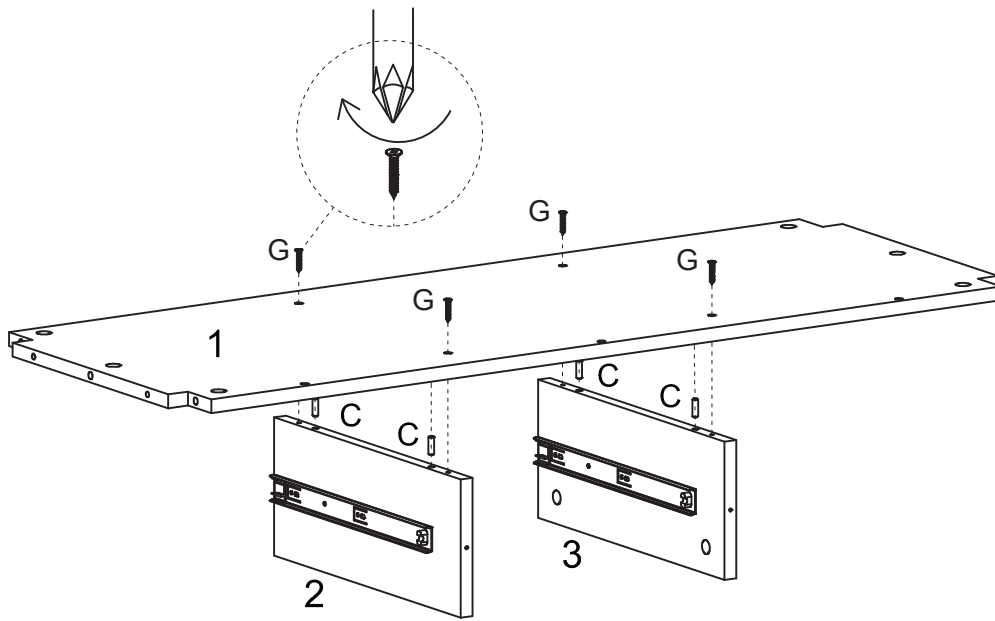
Ensure the cam lock screws are installed correctly, as indicated by the "check mark" below.



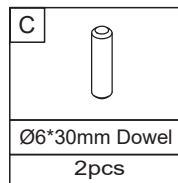
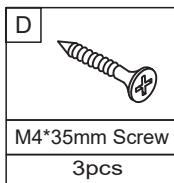
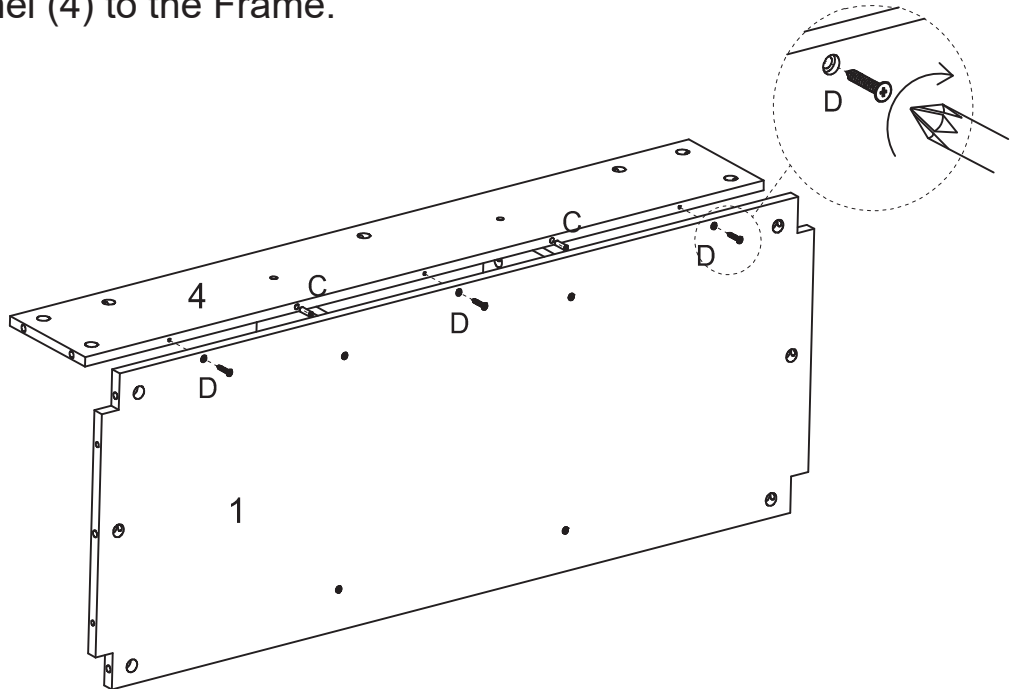
Refer to the illustration below to correctly use the cam lock screws for assembling the panels.



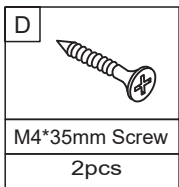
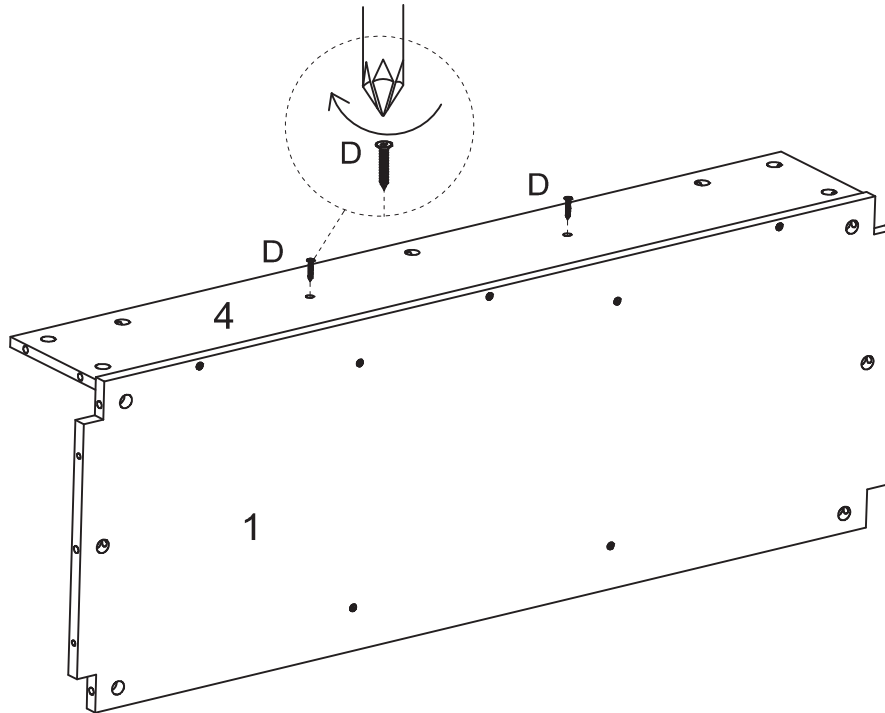
1. Attach Left Middle Panel (2) and Right Middle Panel (3) to the Bottom Panel (1).



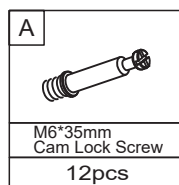
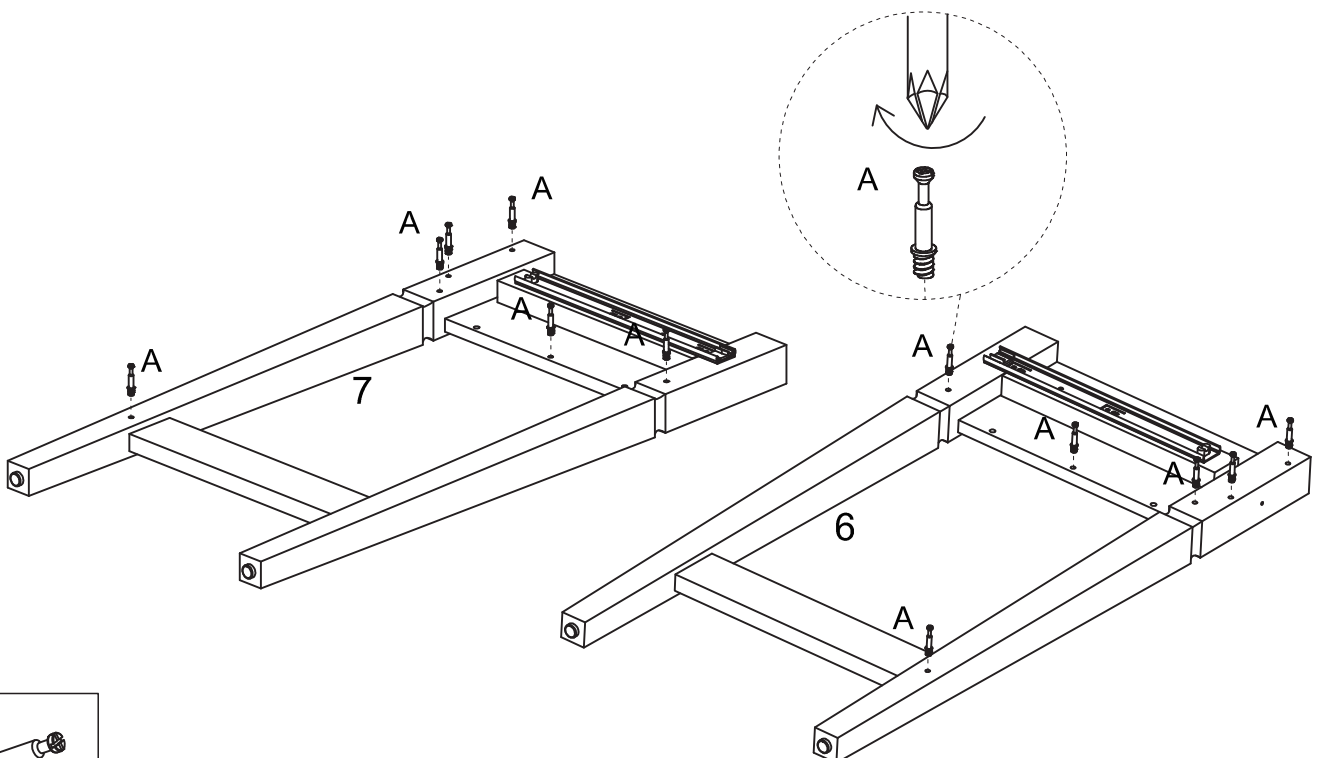
2. Attach Back Panel (4) to the Frame.



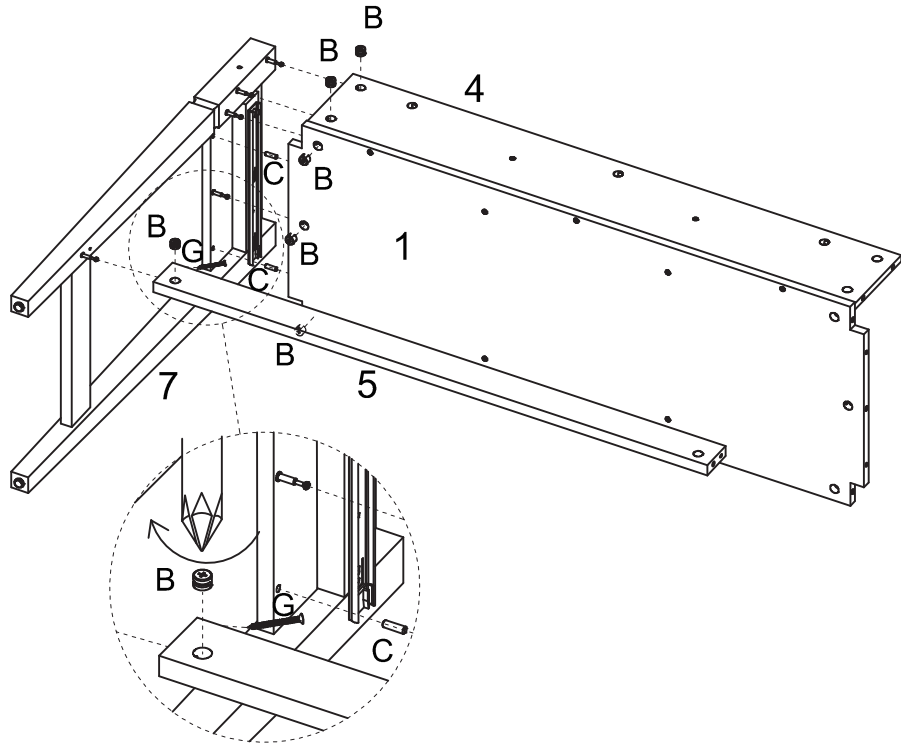
### 3. Attach M4\*35mm Screws to Back Panel (4).






### 4. Attach Cam Lock Screws to Legs (6,7).

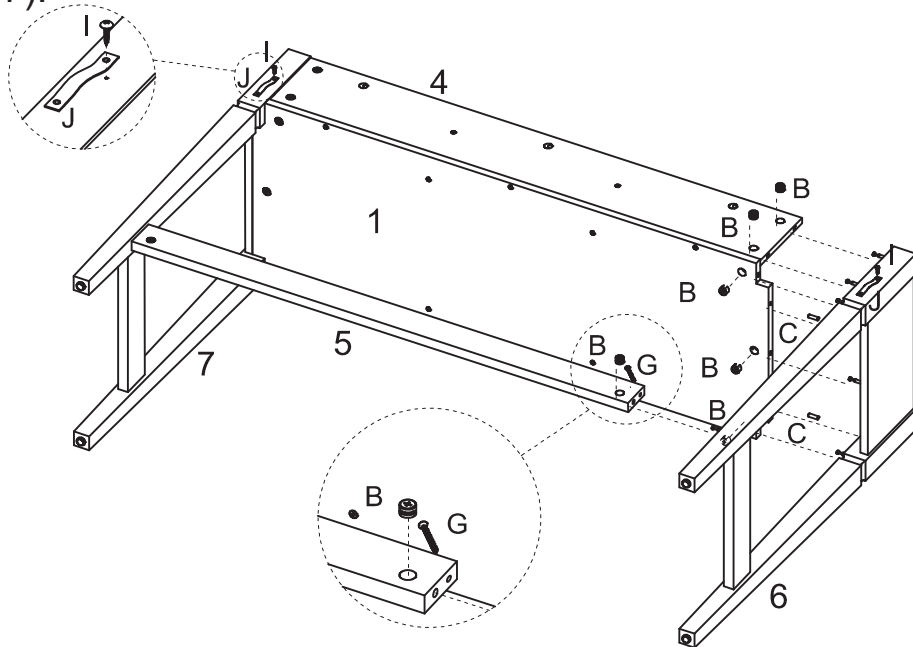




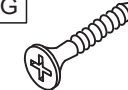


5. Attach the Right Leg (7) to the Frame of back and Back Support Bar (5).



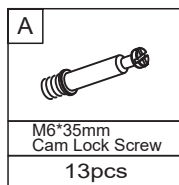
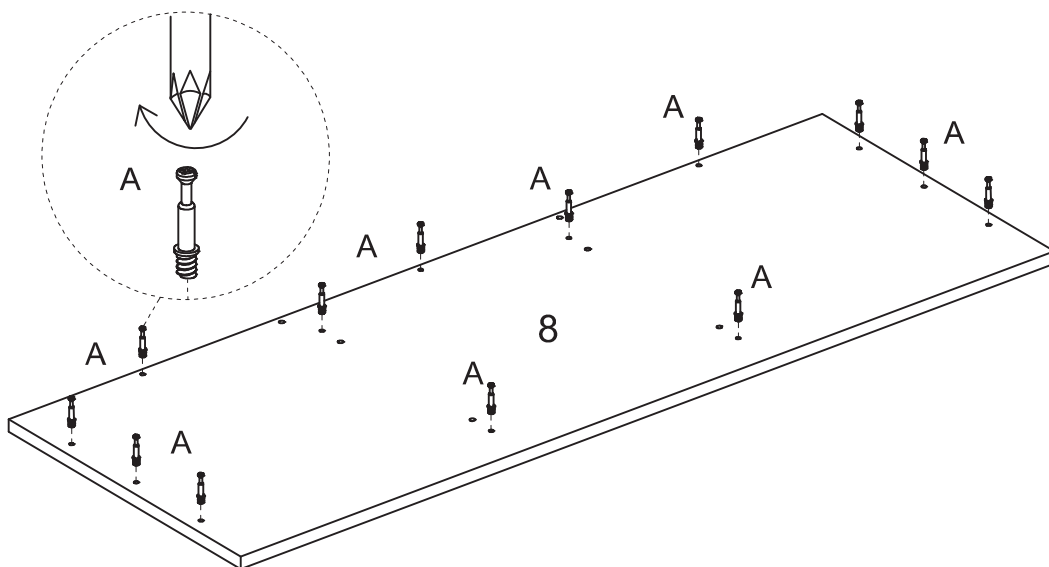
B		C		G	
Ø15*9mm Cam Lock		Ø6*30mm Dowel		M4*45mm Screw	
6pcs		2pcs		1pc	

6. Attached the Left Leg (6) to the Frame of back, and attach the Wall Brackets to the Legs (6,7).

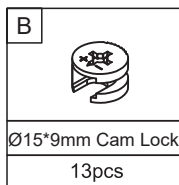
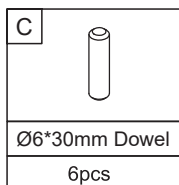
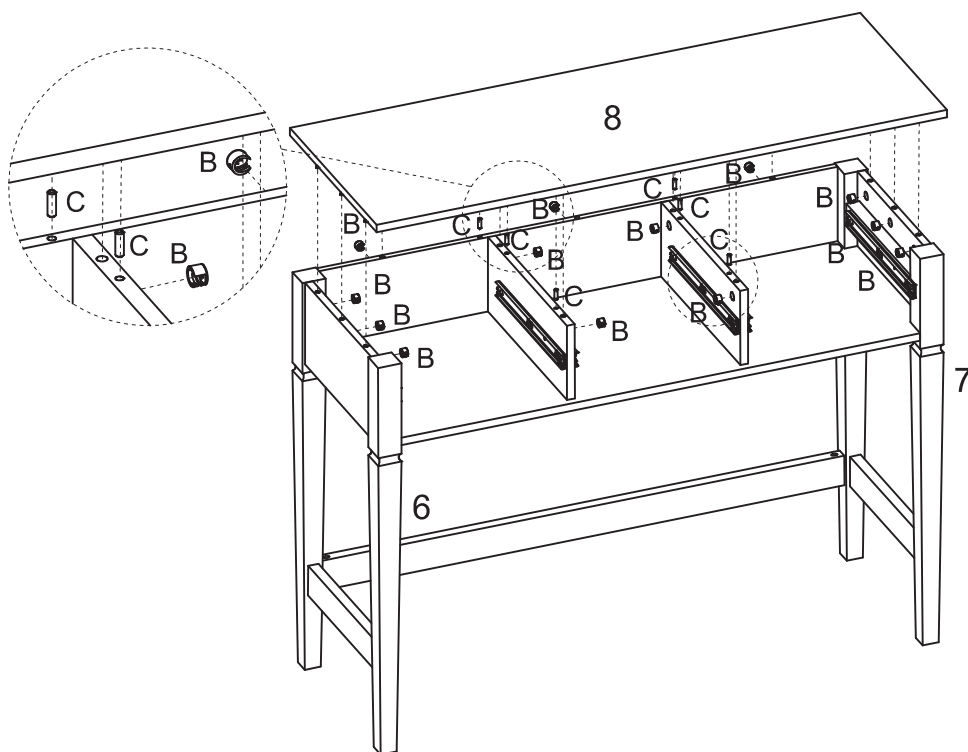


J		I		G		C		B	
M4*18mm Screw		Wall Bracket		M4*45mm Screw		Ø6*30mm Dowel		Ø15*9mm Cam Lock	
2pcs		2pcs		1pc		2pcs		6pcs	

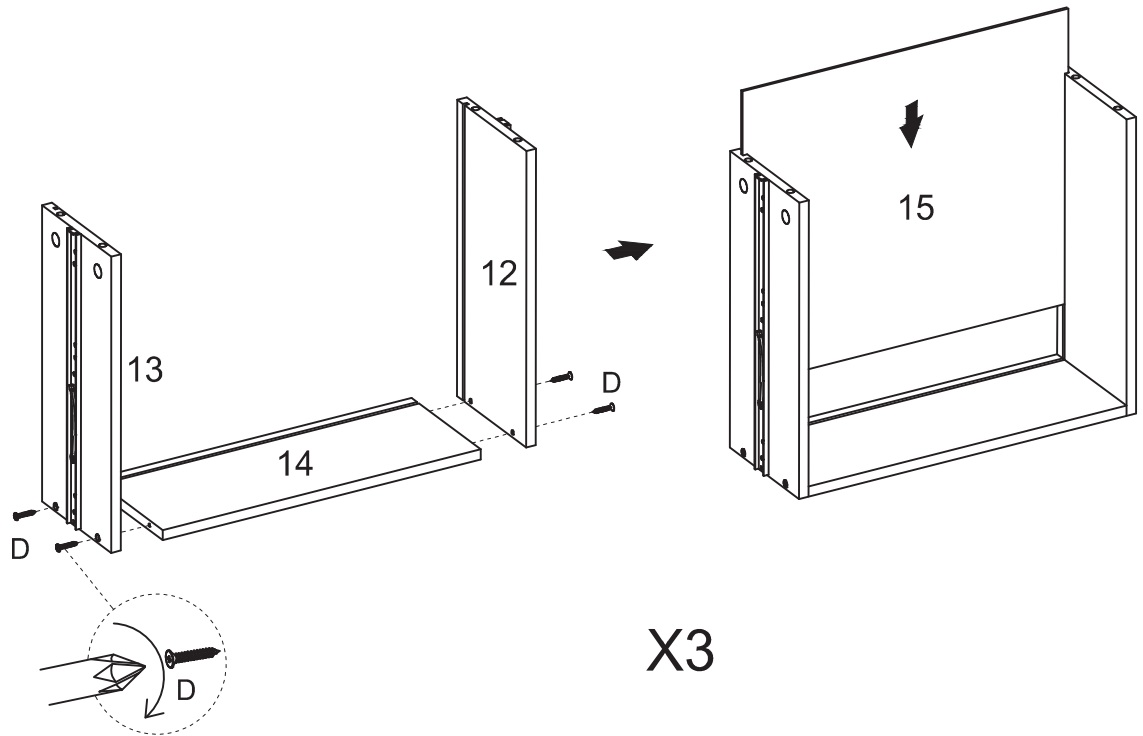
## 7. Attach Cam Lock Screw to Top Panel (8).




## 8. Attach Top Panel (8) to the Frame.

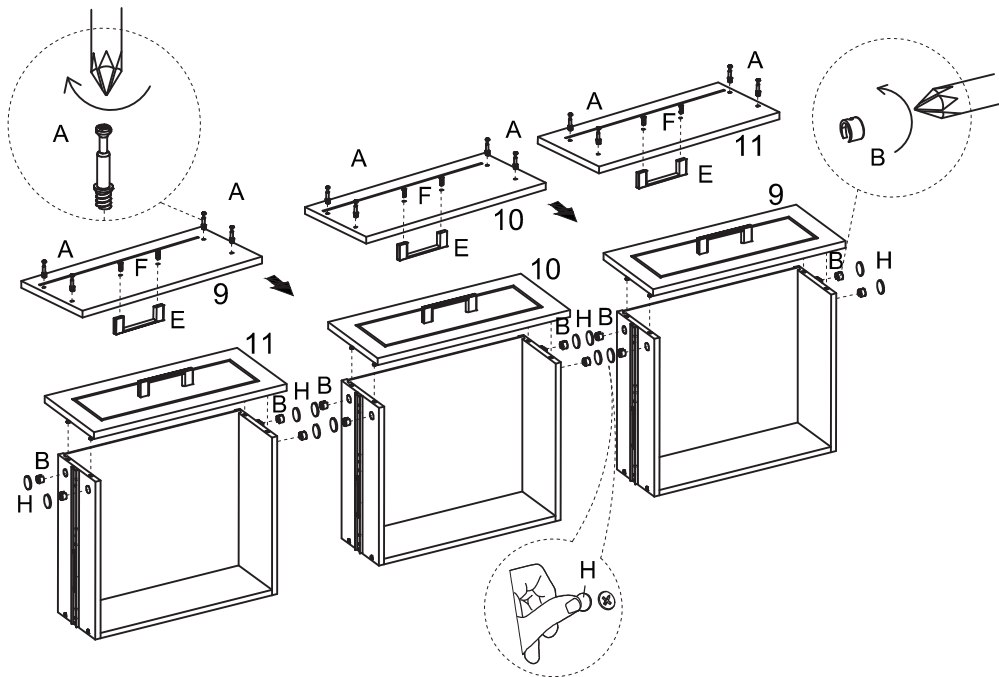



9. Assemble the drawer by following the steps shown in the illustration below.





D	
M4*35mm Screw	
12pcs	


10. Align and attach the handle to the drawer front (9,10,11), then secure the drawer front to the frame.




H	
Cover	
12pcs	

F	
M4*20mm Bolt	
6pcs	

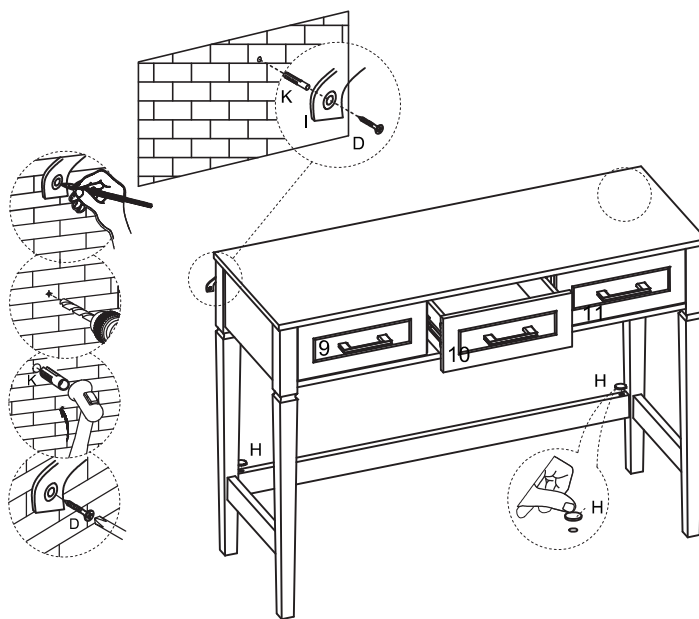
E	
Handle	
3pcs	




B	
Ø15*9mm Cam Lock	
12pcs	

A	
M6*35mm Cam Lock Screw	
12pcs	



11. Fix the wall bracket to the wall by drilling holes, inserting wall anchors, and securing it with screws. Slide the Drawers into the Frame.



<div style="border: 1px solid black; padding: 2px; display: inline-block;">H</div> 	<div style="border: 1px solid black; padding: 2px; display: inline-block;">K</div> 	<div style="border: 1px solid black; padding: 2px; display: inline-block;">D</div> 
Cover 2pcs	Wall Anchor 2pcs	M4*35mm Screw 2pcs

