

DUSK.COM

LIVING | BEDROOM | DINING

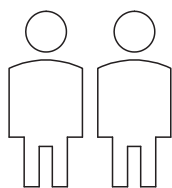
Range Name: Sienna

Box dimensions: L134xW52xH22 (cm)

6 Drawer Large Chest



Up to 1 hour
assembly time



Two person
assembly

This product is intended for domestic use only, not for commercial purposes.

IMPORTANT

ASSEMBLY TIP

Before you begin, it's best to identify all of the parts and fittings to build your chest frame. We advise laying these out on the floor to check you have everything, and to familiarise yourself with all of the parts and fittings before building.

TOP TIP

We recommend that you assemble the chest in the room you'd like it to be located. This will help prevent any risk of damage to the frame whilst moving it.

SAFETY AND CARE

1. It's important to ensure children and animals are kept away from the assembly area, as there are small components used in this product which could present a choking hazard. All plastic and wrapping materials should also be kept away from children and animals to prevent any risk of suffocation.
2. Do not stand on your product.
3. Always use the item on firm level ground, ensuring all legs remain in contact with the ground.
4. Place heaviest items in the lowest drawers.
5. Do not set TV or other heavy objects on top of the product.
6. Children should always be under supervision whilst using this product. Never allow children to climb on the drawers.
7. Never keep more than one drawer open at the same time.
8. In order to prevent overturning, this product must be used with the wall attachment device provided.
9. Serious or fatal crushing injuries can occur from tipping furniture.

HELP AND SUPPORT

Please contact our customer service team on 0113 519 0311 if you have any questions or issues with your purchase.

RECYCLING

Please ensure that packaging is disposed of in a safe and environmentally friendly way, and recycle where possible. Please keep your assembly instructions safe to refer back to in the future.

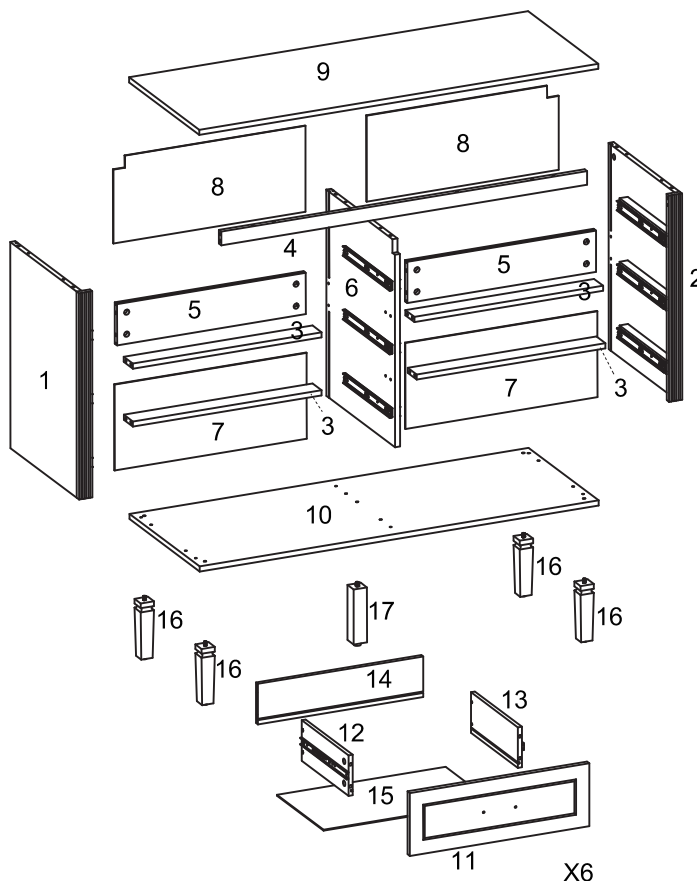
CARE AND MAINTENANCE

1. Only clean using a damp cloth, do not use bleach or abrasive cleaners as they may damage the finish over time.
2. Do not use a very wet cloth or allow any liquid to contact with the surface for a long period of time. Wipe any spillage immediately. Absorption can cause wood to warp or finishes to de-laminate.
3. Do not scrub or rub the surface when cleaning.
4. Do not drag the chest when moving, lift it off the floor instead.
5. Use a placemat or a coaster when putting hot items (e.g. hot drinks and dishes) on the wood surface.
6. It is not recommended to place the item next to sources of heat such as radiators, fires or directly exposed to sunlight. This may cause the wood to crack, split or fade due to the heat and humidity.
7. Wood will mellow and change colour over time, we recommend that ornaments and items placed on the surface to be moved regularly to prevent uneven mellowing.
8. Regularly check all fixings to ensure none have come loose. Re-tighten if necessary.
9. Avoid sharp items such as a screwdriver or any pointy tools.

Parts list

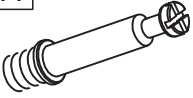


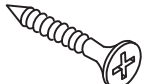
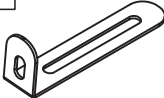
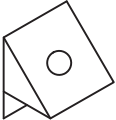
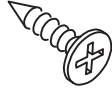

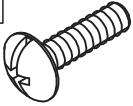


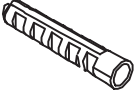

Before you begin building your chest, please take a moment to read through the instructions and make sure that you have all the relevant parts listed on the parts check list.

Part Number	Part Description	Quantity
1	Left Side Panel	1 pc
2	Right Side Panel	1 pc
3	Centre Support	4 pcs
4	Front Support Bar	1 pc
5	Back Support Bar	2 pcs
6	Middle Panel	1 pc
7	Lower Back Panel	2 pcs
8	Upper Back Panel	2 pcs
9	Top Panel	1 pc
10	Bottom Panel	1 pc
11	Drawer Front	6 pcs
12	Drawer Left Side	6 pcs
13	Drawer Right Side	6 pcs
14	Drawer Back Side	6 pcs
15	Drawer Bottom	6 pcs
16	Leg	4 pcs
17	Centre Leg	1 pc

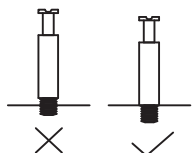


Fittings

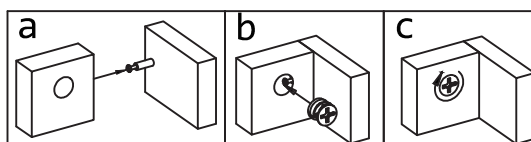
Please check you have all the fittings listed below with your product.

<p>A</p>  <p>M6*35mm Cam Lock Screw 56pcs+4pcs extra</p>	<p>B</p>  <p>Ø15*9mm Cam Lock 56pcs+4pcs extra</p>	<p>C</p>  <p>Ø6*30mm Dowel 16pcs+2pcs extra</p>	<p>D</p>  <p>M4*35mm Screw 26pcs+3pcs extra</p>	<p>E</p>  <p>Wall Bracket 2pcs</p>	<p>F</p>  <p>Plastic Buckle 24pcs+3pcs extra</p>
<p>G</p>  <p>M3.5*14mm Screw 24pcs+3pcs extra</p>	<p>H</p>  <p>Handle 6pcs</p>	<p>I</p>  <p>M4*20mm Bolt 12pcs+1pc extra</p>	<p>J</p>  <p>Cover 24pcs+3pcs extra</p>	<p>K</p>  <p>M4*14mm Screw 4pcs</p>	<p>L</p>  <p>Wall Anchor 2pcs</p>
<p>M</p>  <p>M4*45mm Screw 10pcs+1pcs</p>					

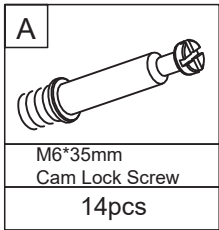
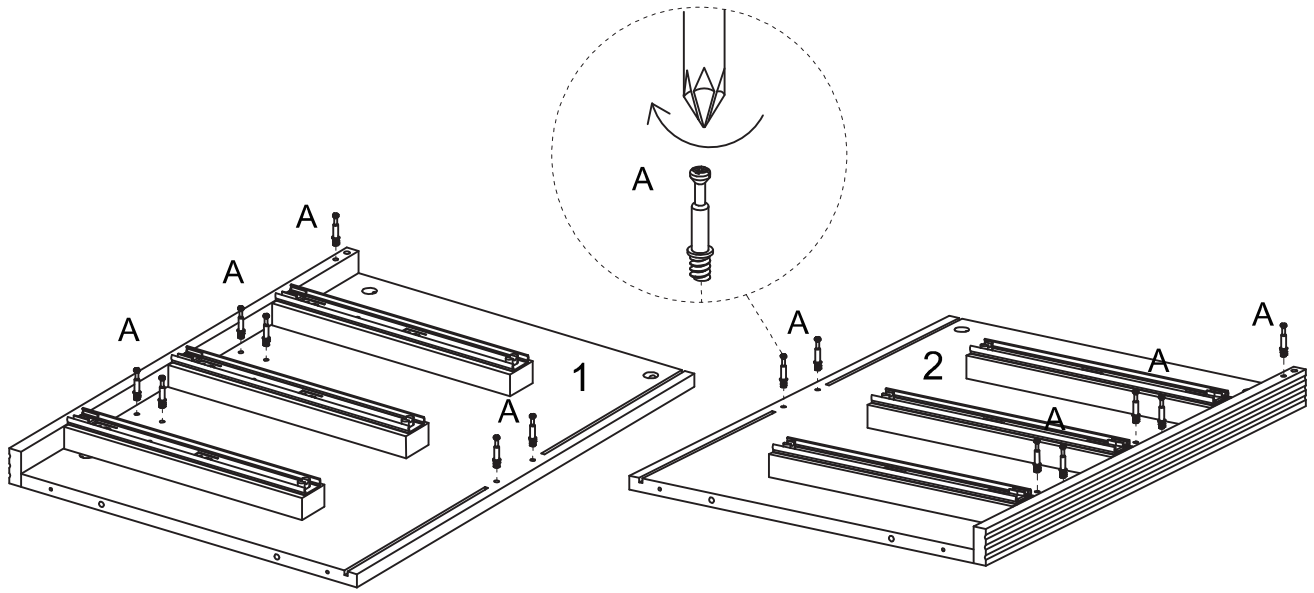
Ensure the cam lock screws are installed correctly, as indicated by the "check mark" below.



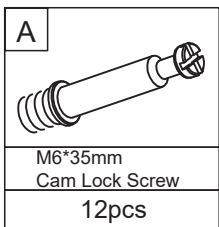
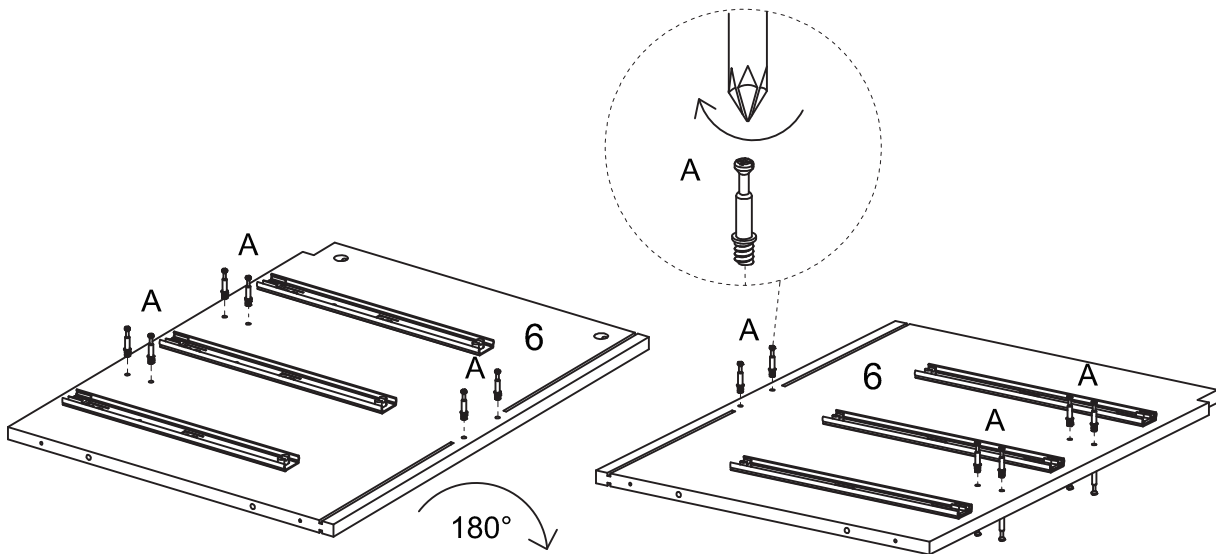
Refer to the illustration below to correctly use the cam lock screws for assembling the panels.



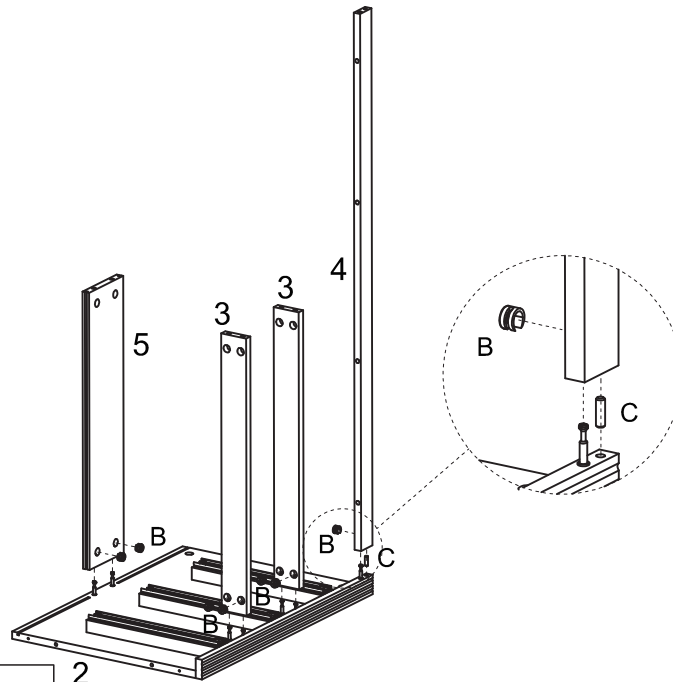
1. Attach Cam Lock Screws to Left Side Panel (1) and Right Side Panel (2).





2. Attach Cam Lock Screws to Middle Panel (6) two sides.

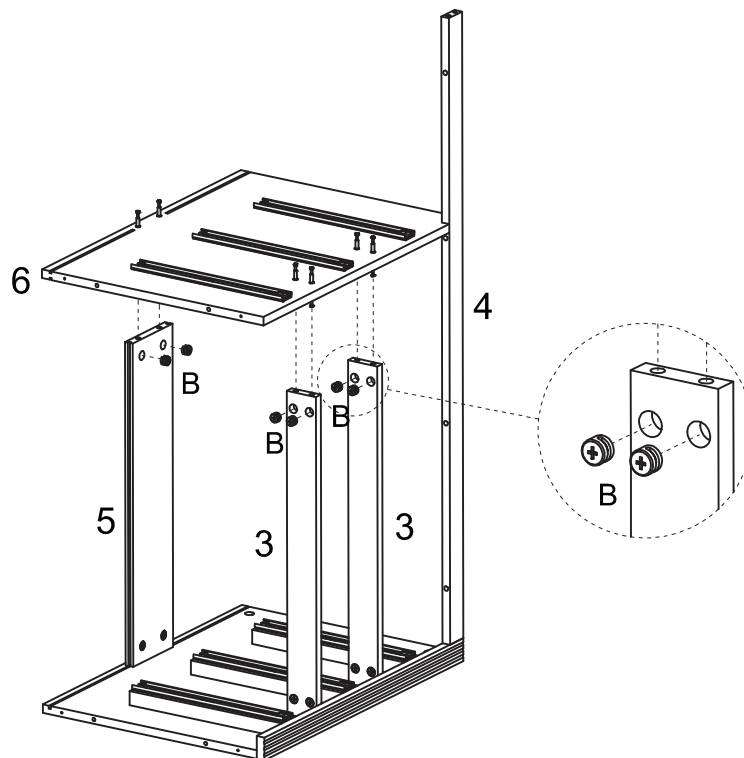



3. Attach Centre Support (3), Front Support Bar (4) and Back Support Bar (5) to Right Side Panel (2).



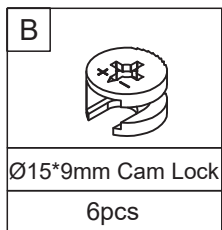
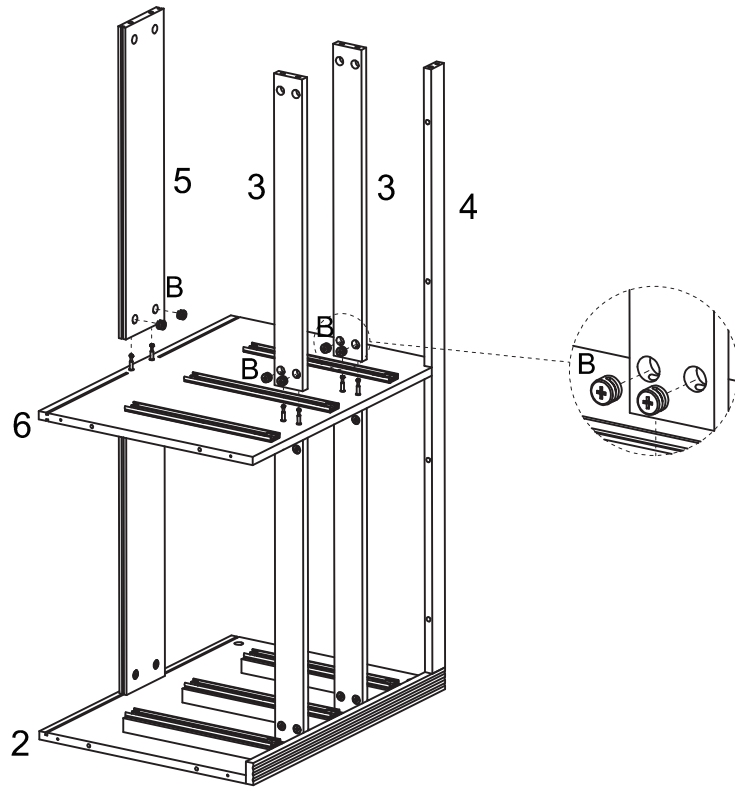
<p>B</p> 	<p>C</p> 
<p>Ø15*9mm Cam Lock</p>	<p>Ø6*30mm Dowel</p>
<p>7pcs</p>	<p>1pc</p>

4. Attach Middle Panel (6) to the Frame.

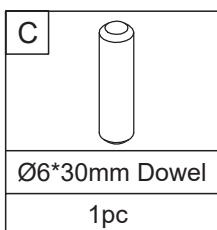
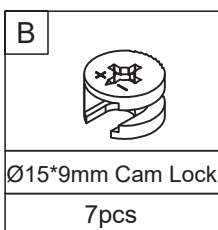
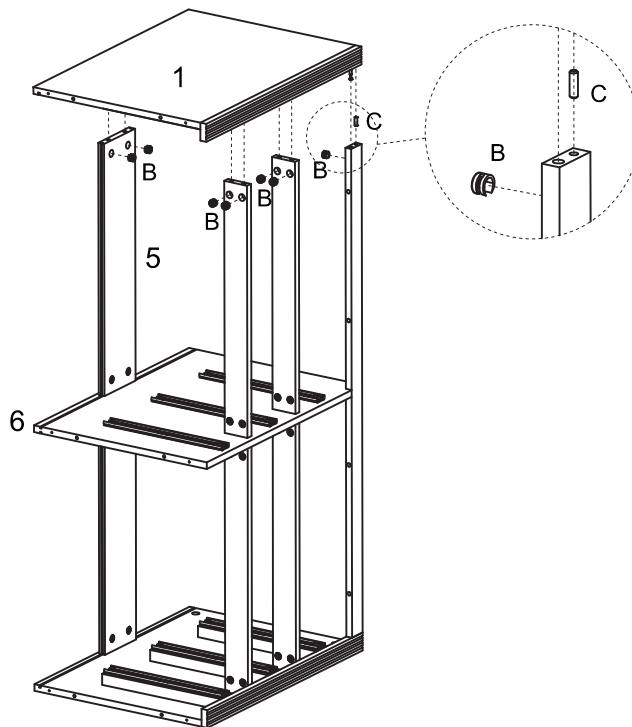


<p>B</p> 
<p>Ø15*9mm Cam Lock</p>
<p>6pcs</p>

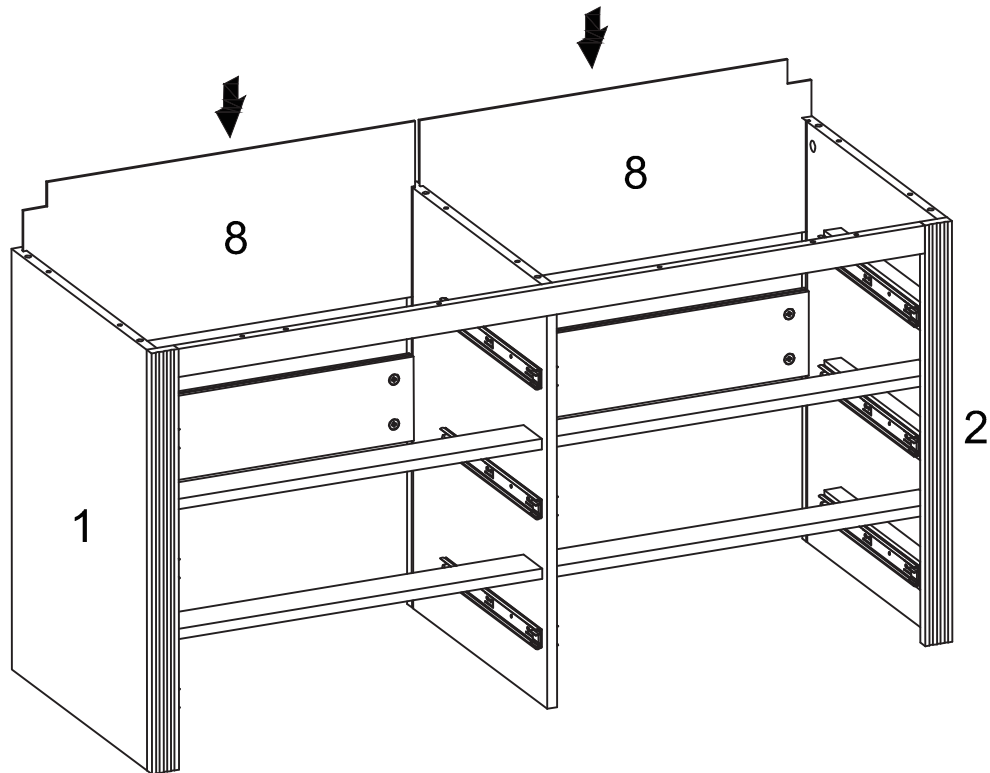
5. Attach Centre Support (3) and Back Support Bar (5) to the Middle Panel (6).



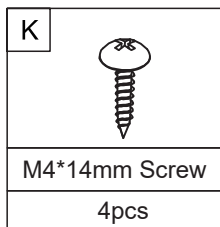
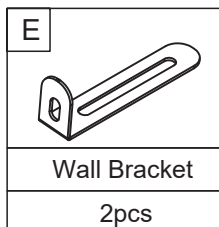
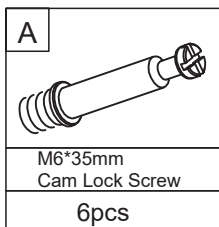
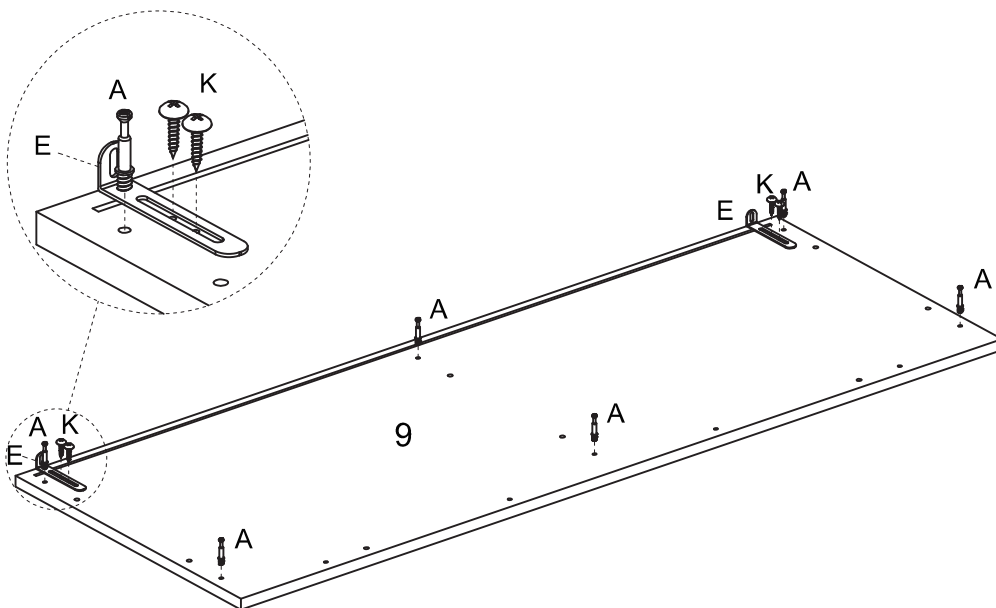
6. Attach Left Side Panel (1) to the Frame.



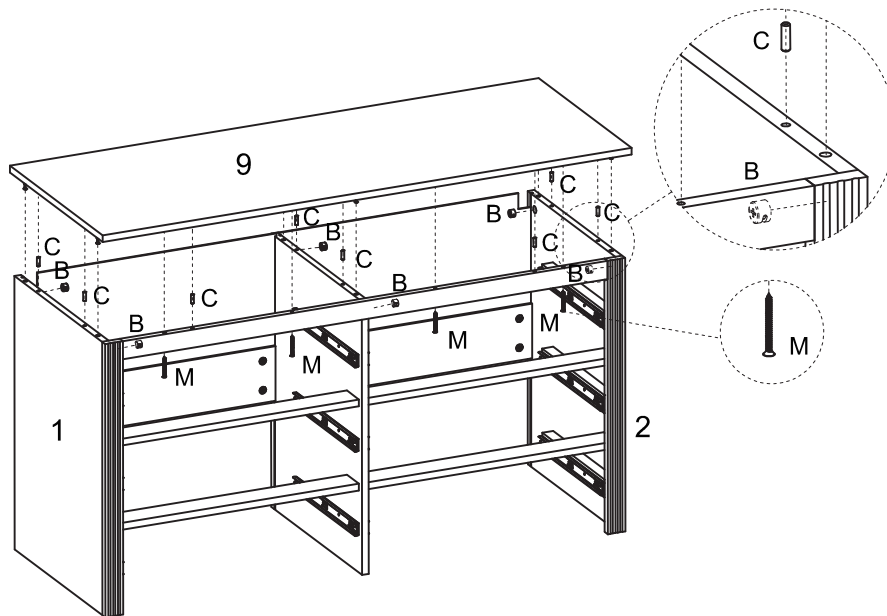
7. Slide Upper Back Panels (8) to the Frame.






8. Attach Cam Lock Screws and Wall Brackets to Top Panel (9).

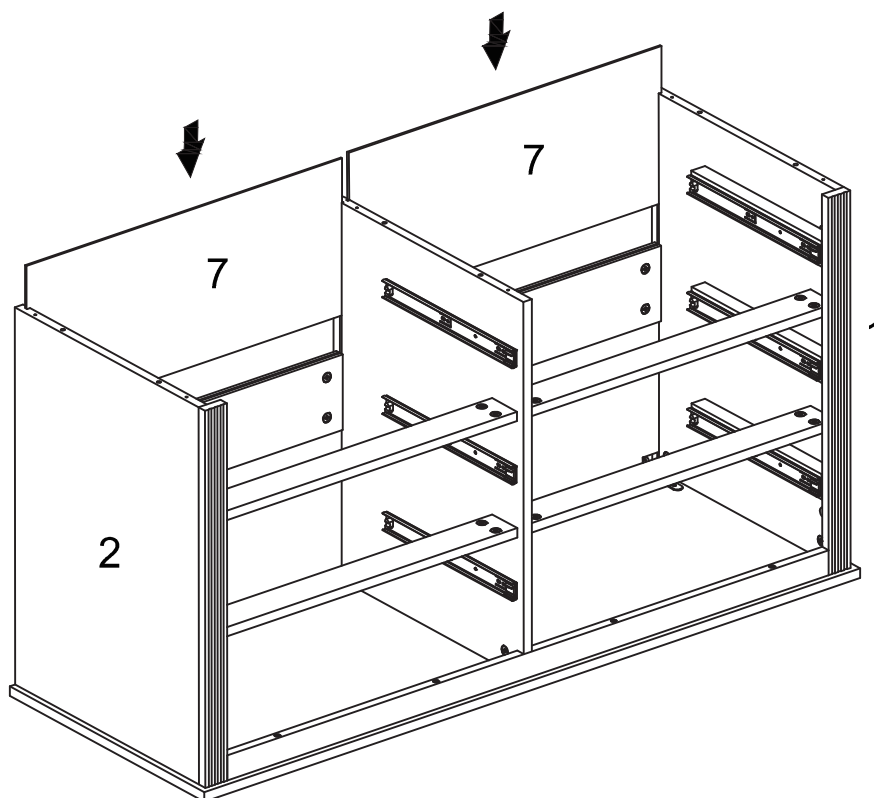


9. Attach Top Panel (9) to the Frame.

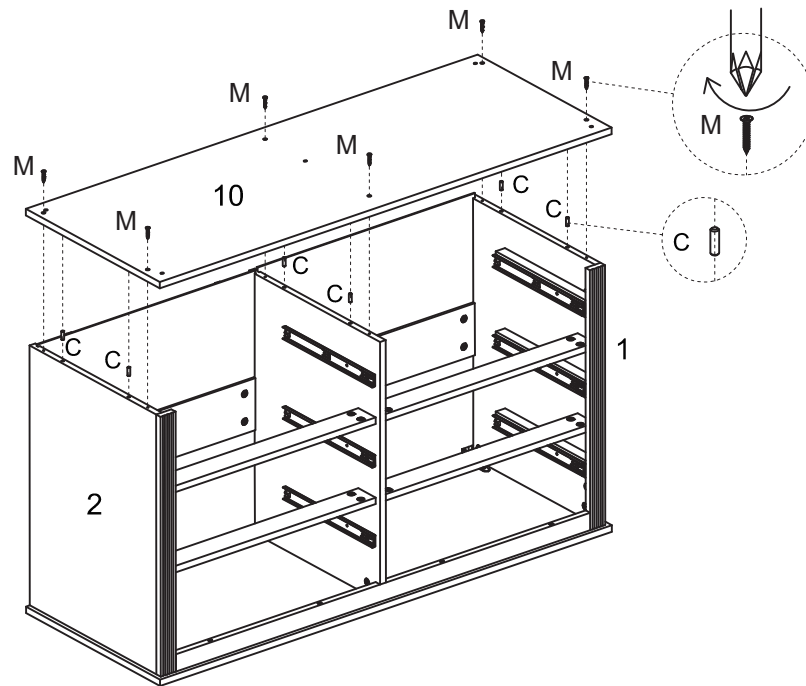




B 	C 	M 
Ø15*9mm Cam Lock	Ø6*30mm Dowel	M4*45mm Screw
6pcs	8pcs	4pcs

10. Slide Lower Back Panels (7) to the Frame.

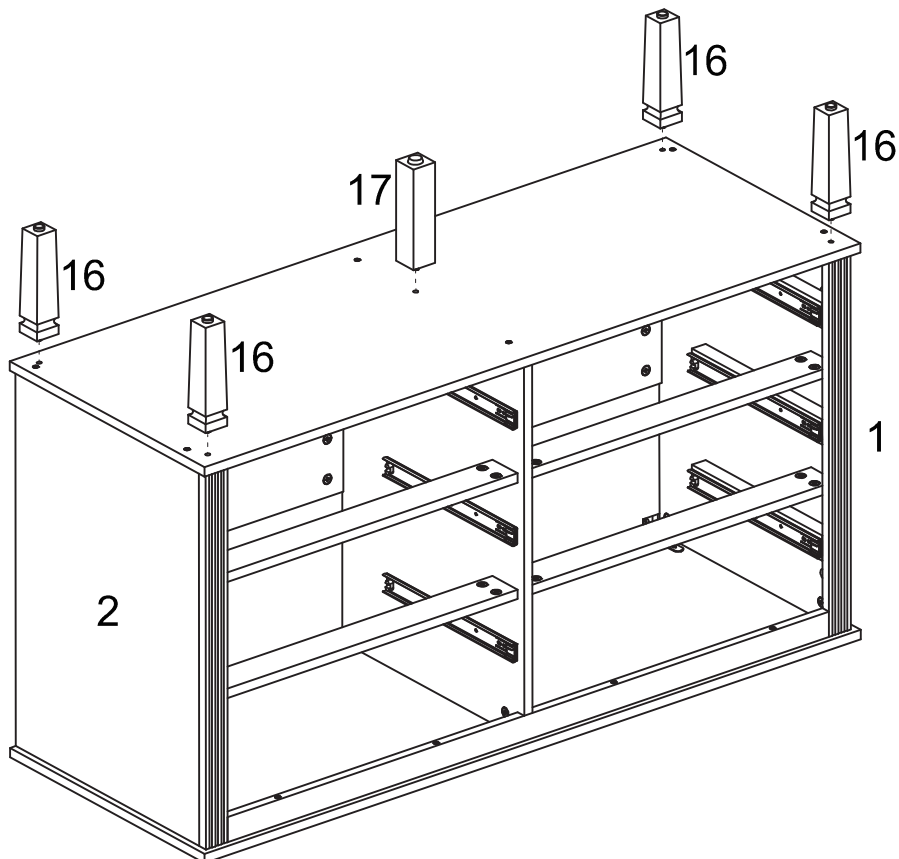


11. Attach Bottom Panel (10) to the Frame.

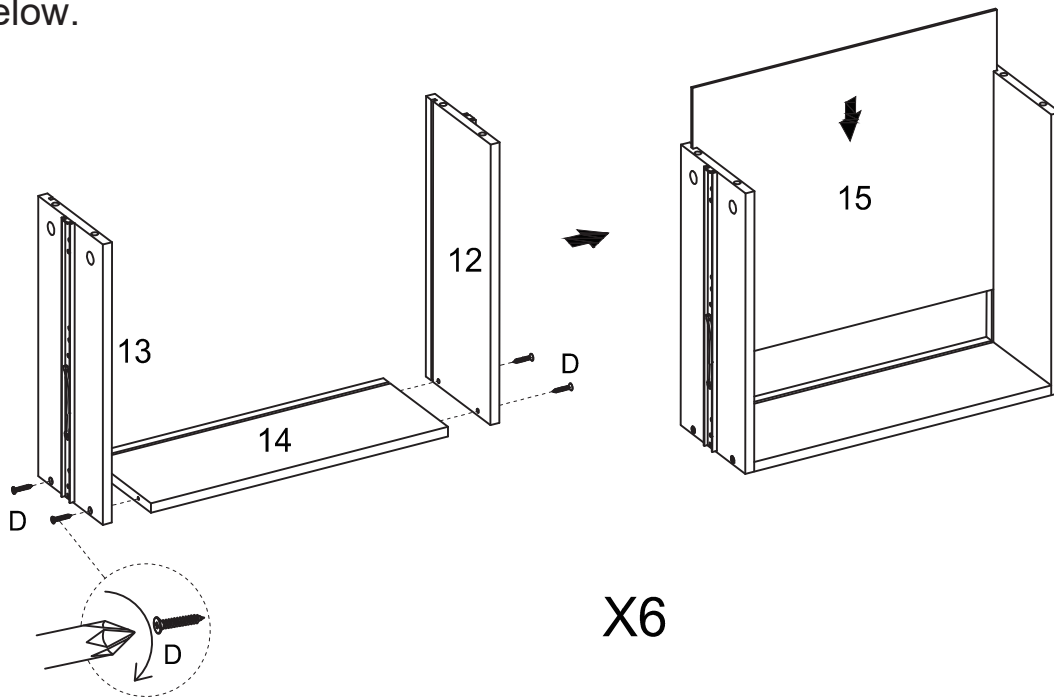


C		M	
Ø6*30mm Dowel		M4*45mm Screw	
6pcs		6pcs	


12. Attach the Legs (16) and Centre Leg (17) to the Frame.



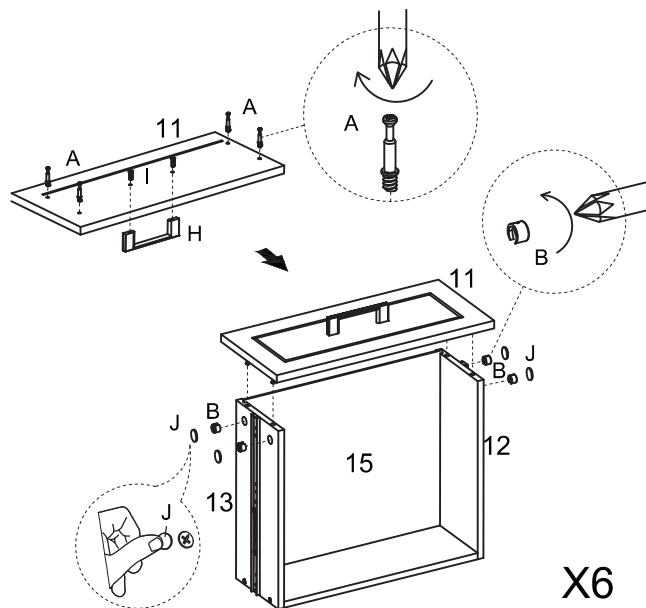
13. Assemble the drawer by following the steps shown in the illustration below.



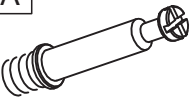
X6


D

M4*35mm Screw
24pcs


14. Align and attach the handle to the Drawer Front (11), then secure the Drawer Front (11) to the frame.

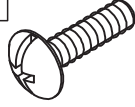



X6

A

M6*35mm Cam Lock Screw
24pcs

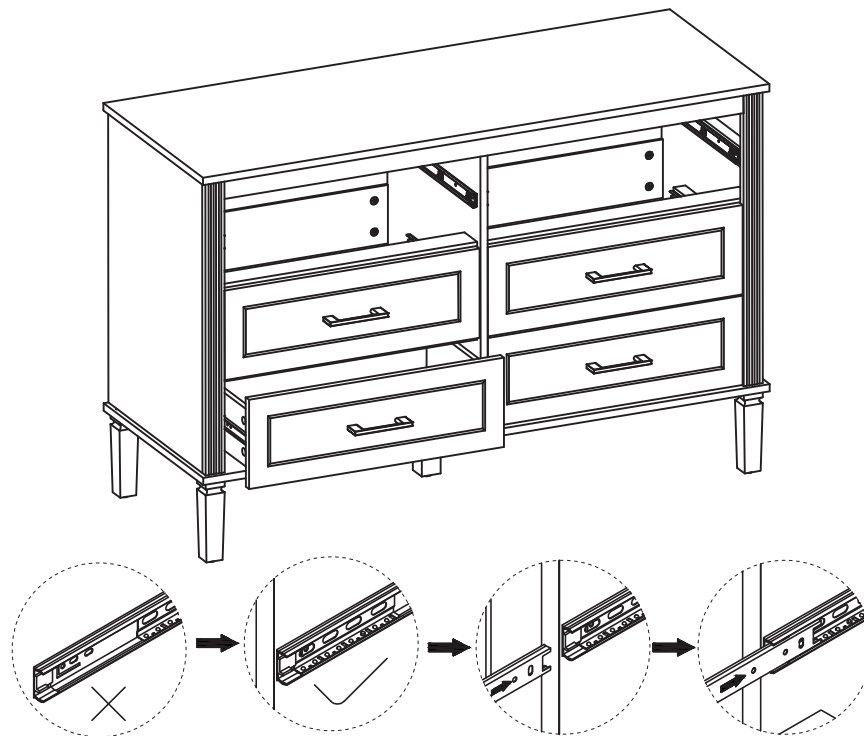
B

Ø15*9mm Cam Lock
24pcs

H

Handle
6pcs

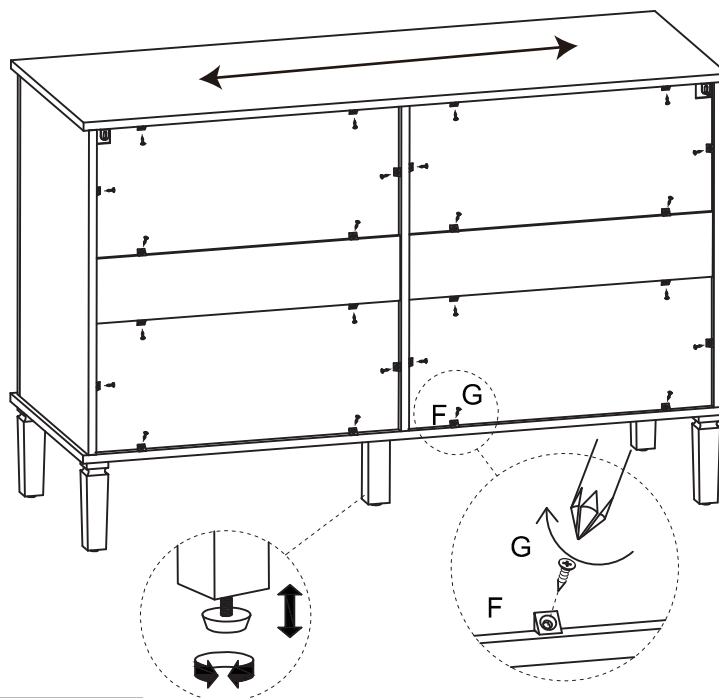
I

M4*20mm Bolt
12pcs

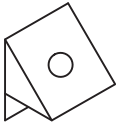

J

Cover
24pcs

15. Slide the middle and lower Drawers into the Frame.

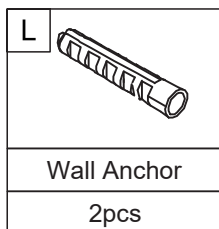
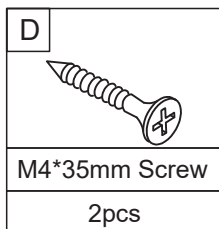
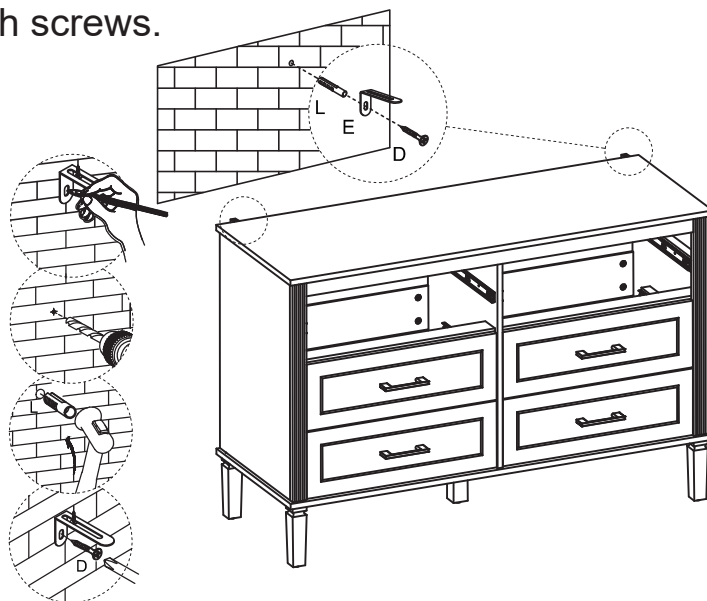


16. Attach the plastic buckles on back. Before securing them, manually adjust the frame to ensure the drawers are properly aligned, even, and parallel. The Centre Leg is adjustable if necessary.



F	G
	
Plastic Buckle	M3.5*14mm Screw
24pcs	24pcs

17. Fix the wall bracket to the wall by drilling holes, inserting wall anchors, and securing it with screws.



18. Slide the upper Drawers into the Frame.

