

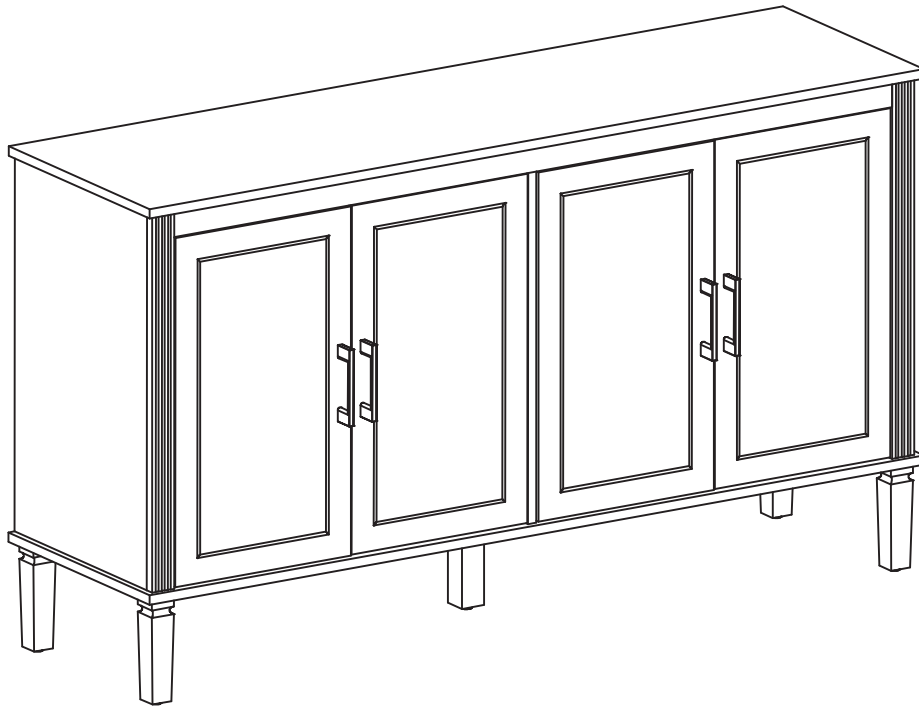
DUSK.COM

LIVING | BEDROOM | DINING

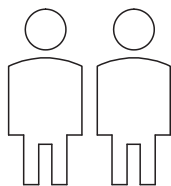
Range Name: Sienna

Box dimensions: L154xW47xH17.5 (cm)

4 Door Sideboard



Up to 1 hour
assembly time



Two person
assembly

This product is intended for domestic use only, not for commercial purposes.

IMPORTANT

ASSEMBLY TIP

Before you begin, it's best to identify all of the parts and fittings to build your sideboard frame. We advise laying these out on the floor to check you have everything, and to familiarise yourself with all of the parts and fittings before building.

TOP TIP

We recommend that you assemble the sideboard in the room you'd like it to be located. This will help prevent any risk of damage to the frame whilst moving it.

SAFETY AND CARE

1. It's important to ensure children and animals are kept away from the assembly area, as there are small components used in this product which could present a choking hazard. All plastic and wrapping materials should also be kept away from children and animals to prevent any risk of suffocation.
2. Do not stand on your product.
3. Always use the item on firm level ground, ensuring all legs remain in contact with the ground.
4. Place heaviest items in the lowest drawers.
5. Do not set TV or other heavy objects on top of the product.
6. Children should always be under supervision whilst using this product. Never allow children to climb on the drawers.
7. Never keep more than one drawer open at the same time.
8. In order to prevent overturning, this product must be used with the wall attachment device provided.
9. Serious or fatal crushing injuries can occur from tipping furniture.

HELP AND SUPPORT

Please contact our customer service team on 0113 519 0311 if you have any questions or issues with your purchase.

RECYCLING

Please ensure that packaging is disposed of in a safe and environmentally friendly way, and recycle where possible. Please keep your assembly instructions safe to refer back to in the future.

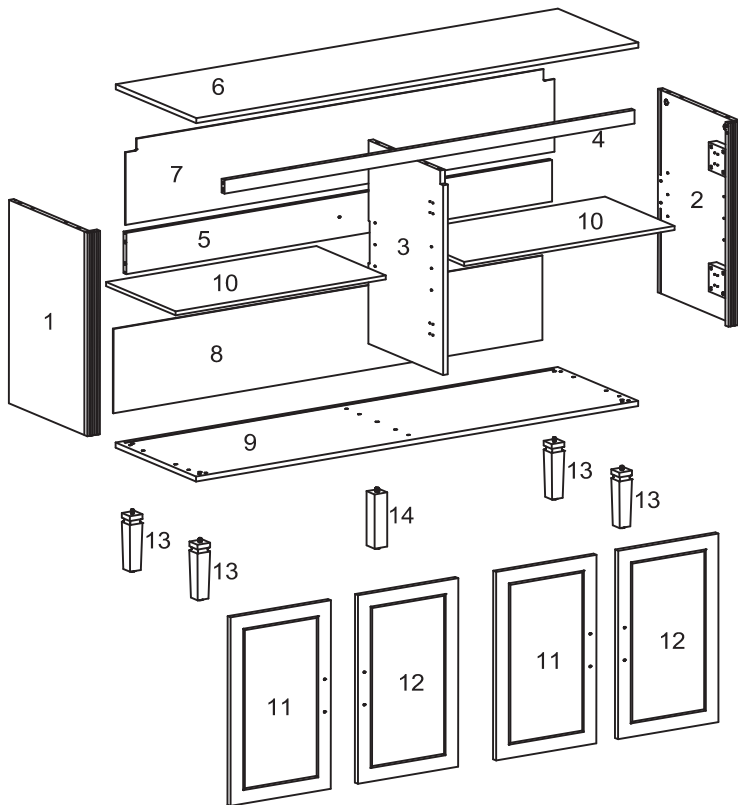
CARE AND MAINTENANCE

1. Only clean using a damp cloth, do not use bleach or abrasive cleaners as they may damage the finish over time.
2. Do not use a very wet cloth or allow any liquid to contact with the surface for a long period of time. Wipe any spillage immediately. Absorption can cause wood to warp or finishes to de-laminate.
3. Do not scrub or rub the surface when cleaning.
4. Do not drag the sideboard when moving, lift it off the floor instead.
5. Use a placemat or a coaster when putting hot items (e.g. hot drinks and dishes) on the wood surface.
6. It is not recommended to place the item next to sources of heat such as radiators, fires or directly exposed to sunlight. This may cause the wood to crack, split or fade due to the heat and humidity.
7. Wood will mellow and change colour over time, we recommend that ornaments and items placed on the surface to be moved regularly to prevent uneven mellowing.
8. Regularly check all fixings to ensure none have come loose. Re-tighten if necessary.
9. Avoid sharp items such as a screwdriver or any pointy tools.

Parts list

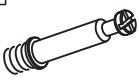


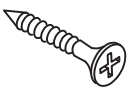


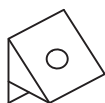

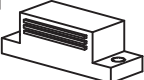




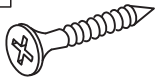
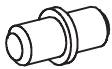


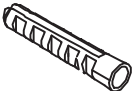


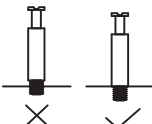
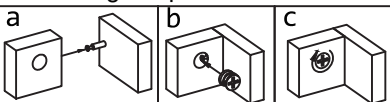
Before you begin building your sideboard, please take a moment to read through the instructions and make sure that you have all the relevant parts listed on the parts check list.

Part Number	Part Description	Quantity
1	Left Side Panel	1 pc
2	Right Side Panel	1 pc
3	Middle Panel	1 pc
4	Front Support Bar	1 pc
5	Back Support Bar	1 pc
6	Top Panel	1 pc
7	Upper Back Panel	1 pc
8	Lower Back Panel	1 pc
9	Bottom Panel	1 pc
10	Shelf Board	2 pcs
11	Door Left Panel	2 pcs
12	Door Right Panel	2 pcs
13	Leg	4 pcs
14	Centre Leg	1 pc

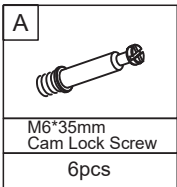
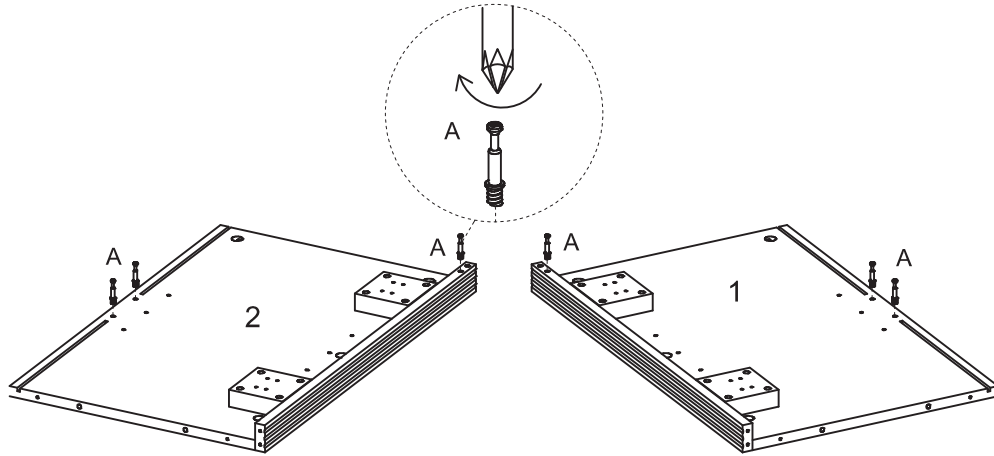


Fittings

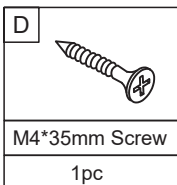
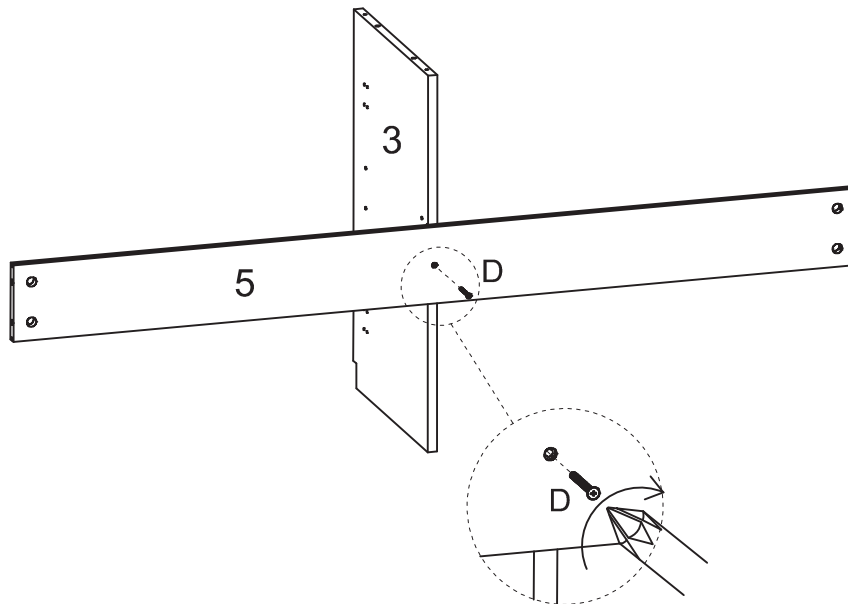
Please check you have all the fittings listed below with your product.

 A M6*35mm Cam Lock Screw 12pcs+1pc extra	 B Ø15*9mm Cam Lock 12pcs+1pc extra	 C Ø6*30mm Dowel 18pcs+2pcs extra	 D M4*35mm Screw 3pcs	 E Handle 4pcs	 F M4*20mm Bolt 8pcs+1pc extra
 G Plastic Buckle 16pcs+2pcs extra	 H M3.5*14mm Screw 20pcs+2pcs extra	 I Door Catch 2pcs	 J Door Strike Plate 4pcs	 K M3.5*12mm Screw 52pcs+6pcs extra	 L Hinge 8pcs
 M Cover 12pcs+2pcs extra	 N M4*45mm Screw 14pcs+1pc extra	 O Shelf Support 8pcs+1pc extra	 P Wall Bracket 2pcs	 Q M4*14mm Screw 4pcs	 R Wall Anchor 2pcs
 S Wooden Block 2pcs	 T M3*18mm Screw 4pcs	Ensure the cam lock screws are installed correctly, as indicated by the "check mark" below. 			
Refer to the illustration below to correctly use the cam lock screws for assembling the panels. 					

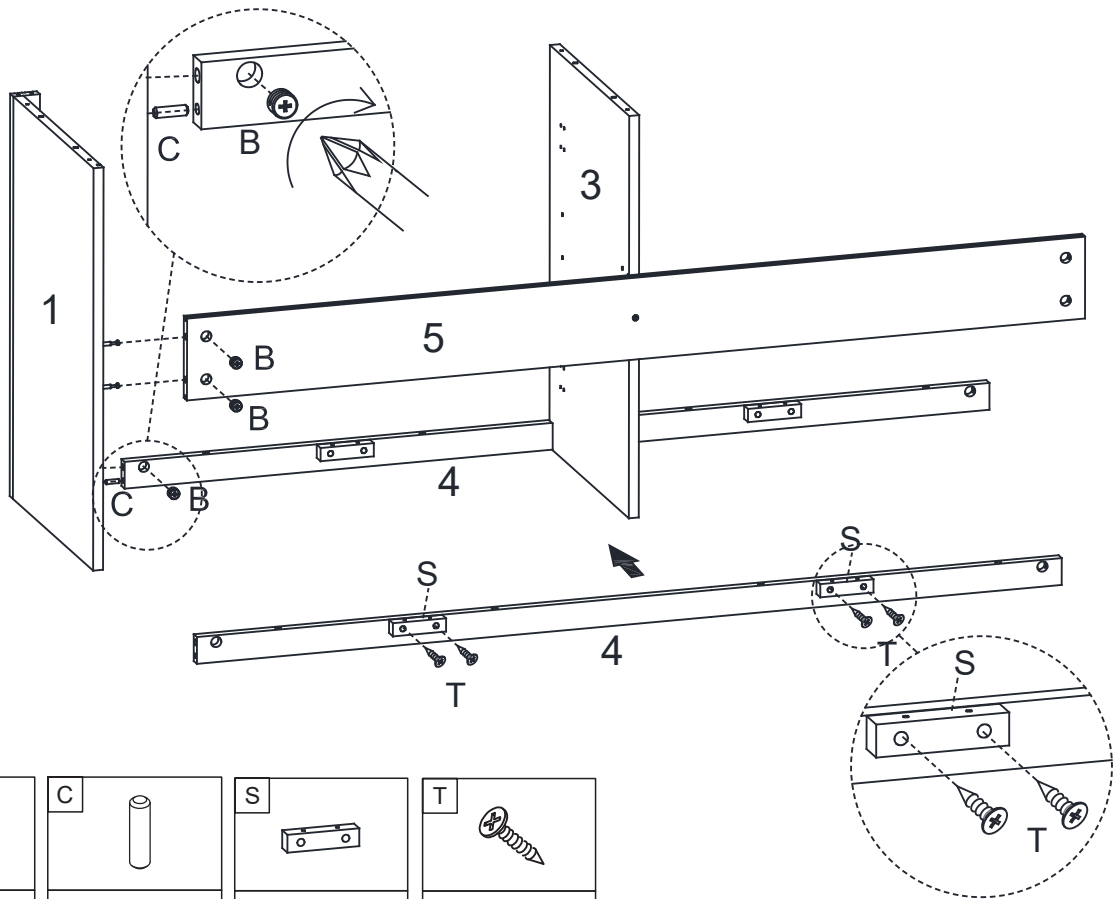
1. Attach Cam Lock Screws to Left Side Panel (1) and Right Side Panel (2).







2. Attach Back Support Bar (5) to Middle Panel (3).

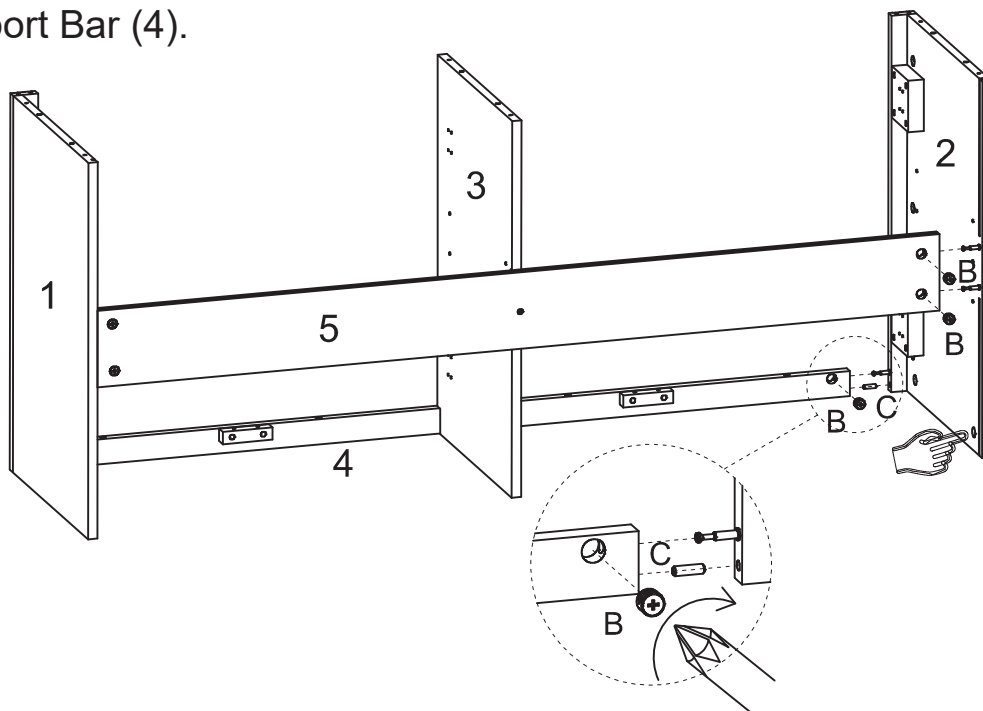




3. Attach Left Side Panel (1) to Back Support Bar (5) and Front Support Bar (4).



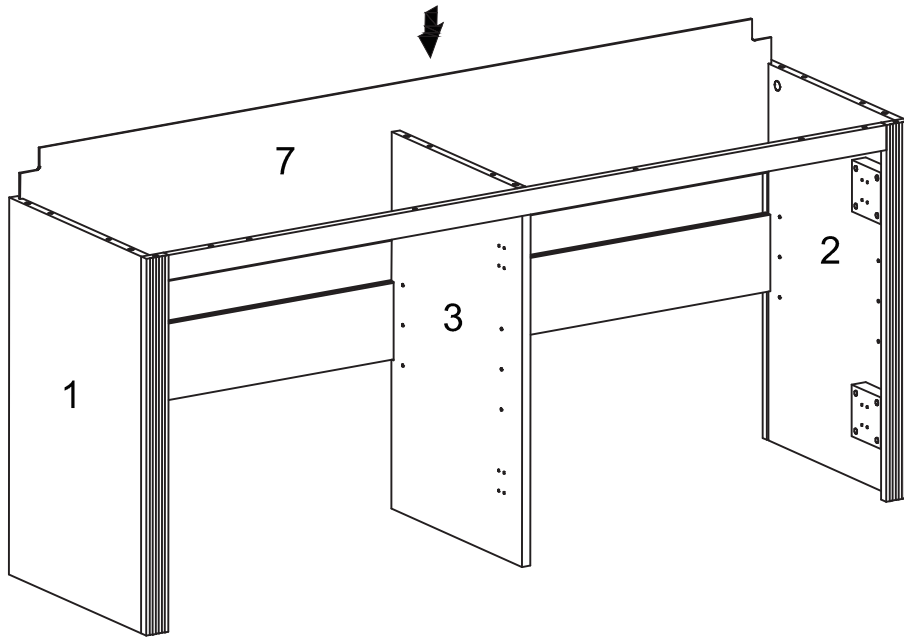
B	C	S	T
			
Ø15*9mm Cam Lock	Ø6*30mm Dowel	Wooden Block	M3*18mm Screw
3pcs	1pc	2pcs	4pcs

4. Attach Right Side Panel (2) to Back Support Bar (5) and Front Support Bar (4).

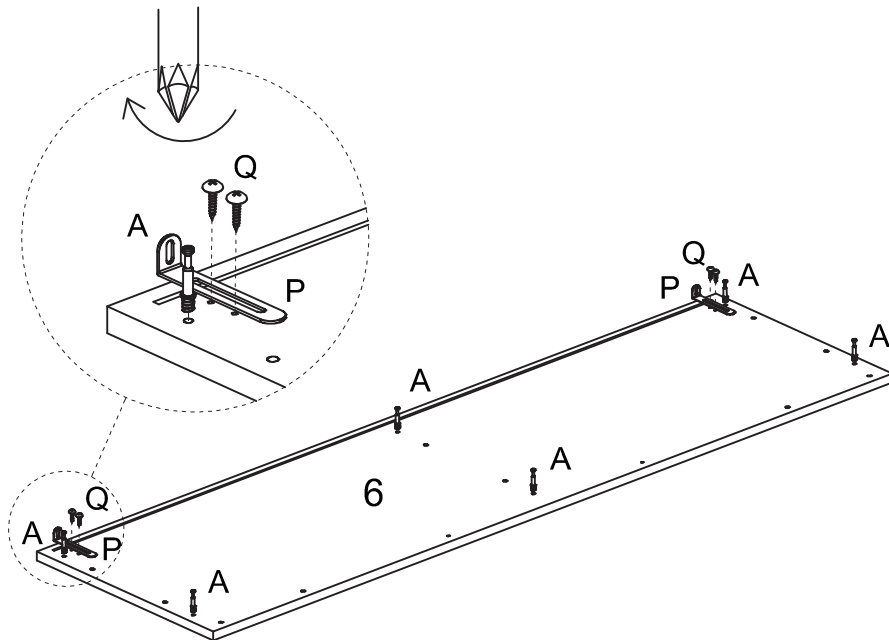


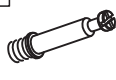


B	C
	
Ø15*9mm Cam Lock	Ø6*30mm Dowel
3pcs	1pc

5. Slide Upper Back Panel (7) to the Frame.

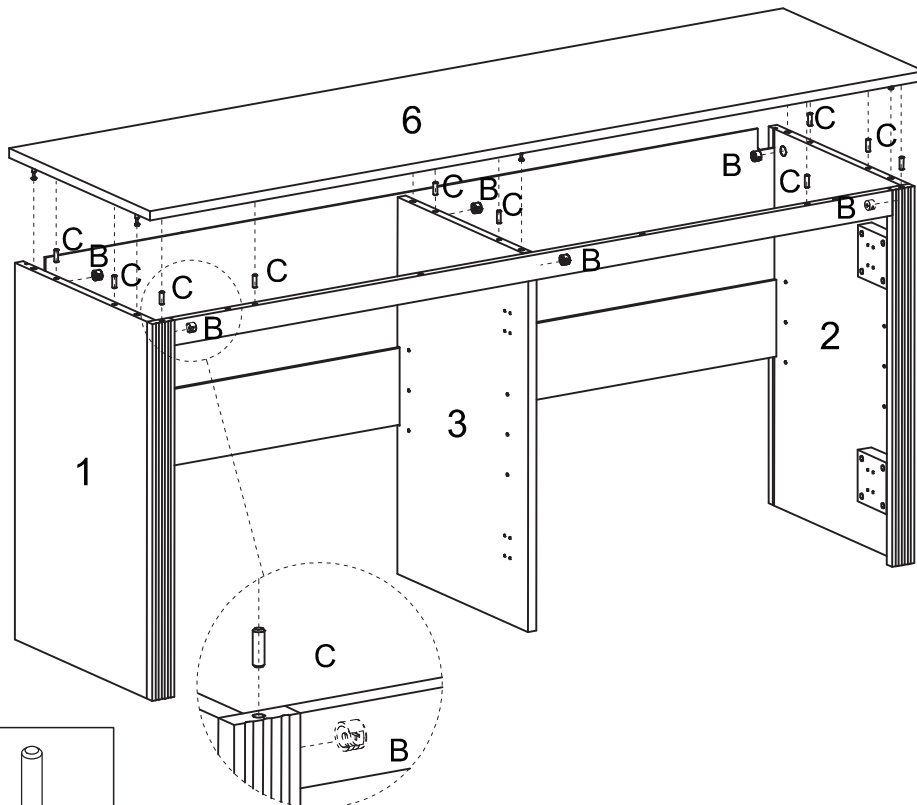




6. Attach Wall Brackets and Cam Lock Screws to Top Panel (6).



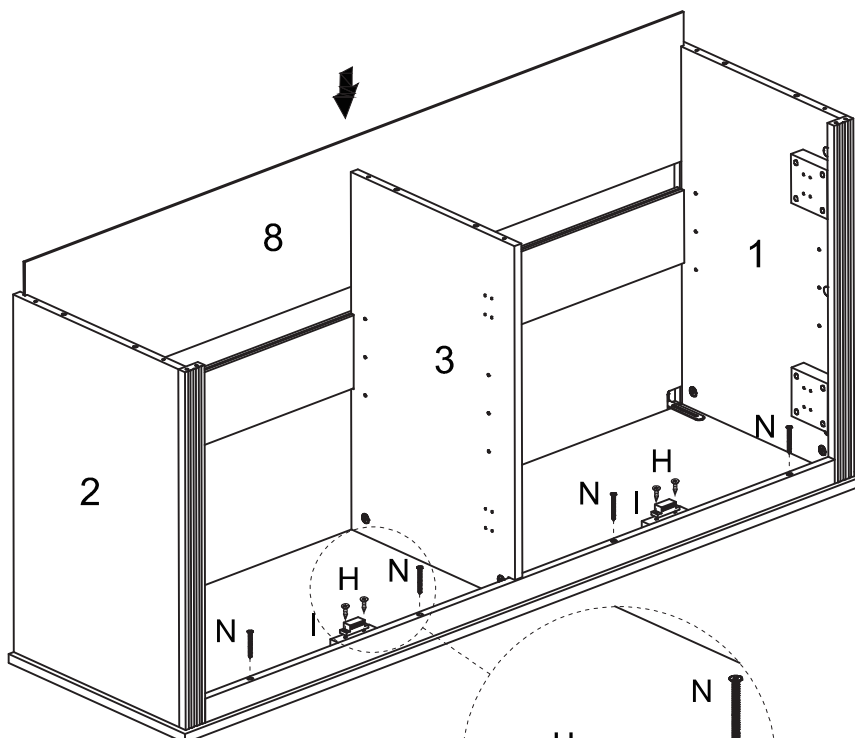
A 	P 	Q 
M6*35mm Cam Lock Screw 6pcs	Wall Bracket 2pcs	M4*14mm Screw 4pcs


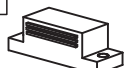

7. Attach Top Panel (6) to the Frame.



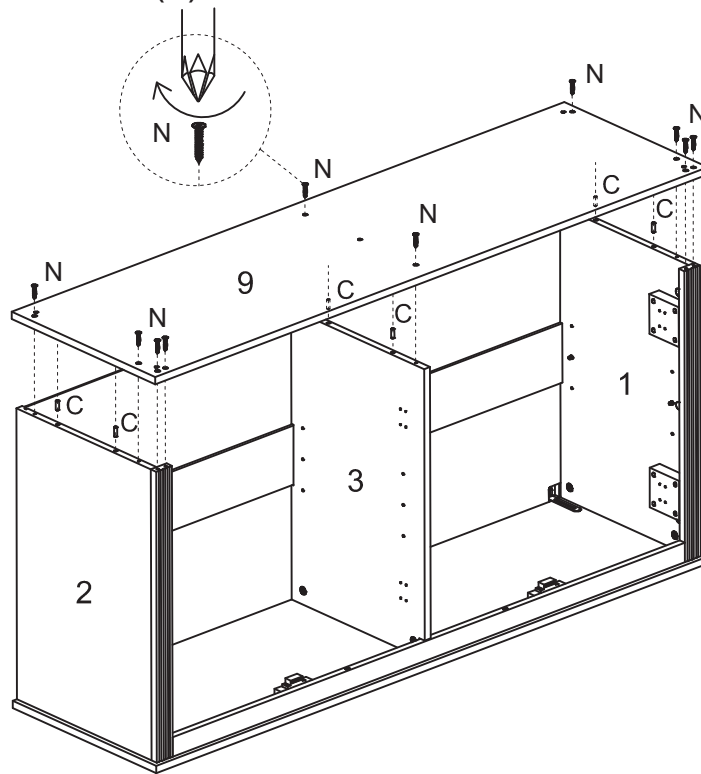
B		C	
Ø15*9mm Cam Lock		Ø6*30mm Dowel	
6pcs		10pcs	


8. Slide the Lower Back Panel (8) to the Frame, and attach the Door Catch.




H		I		N	
M3.5*14mm Screw		Door Catch		M4*45mm Screw	
4pcs		2pcs		4pcs	

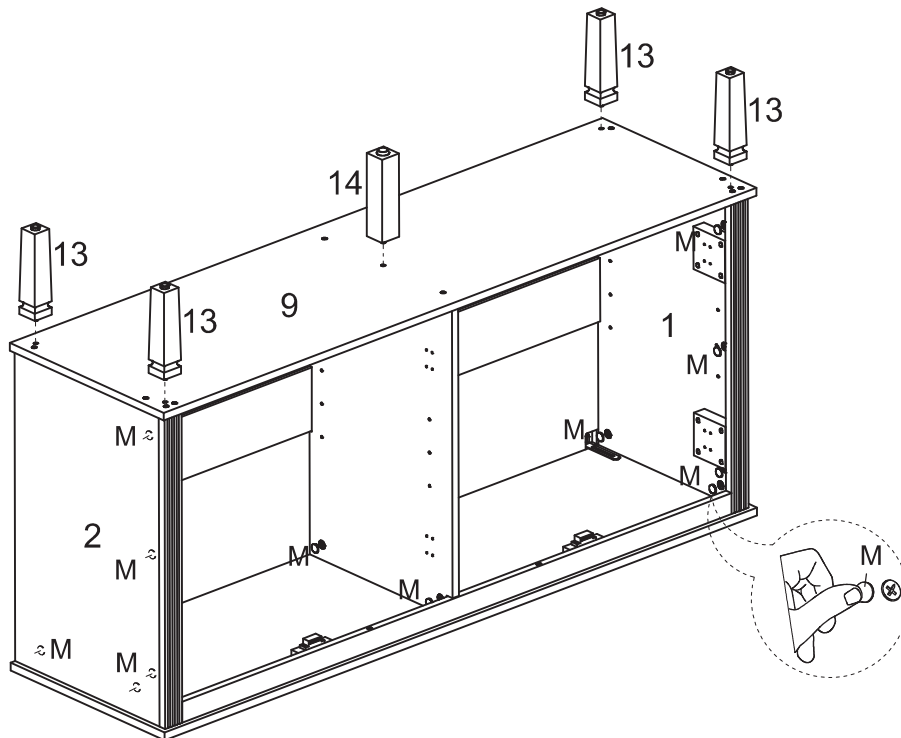
9. Attach the Bottom Panel (9) to the Frame.




C	
Ø6*30mm Dowel	
6pcs	

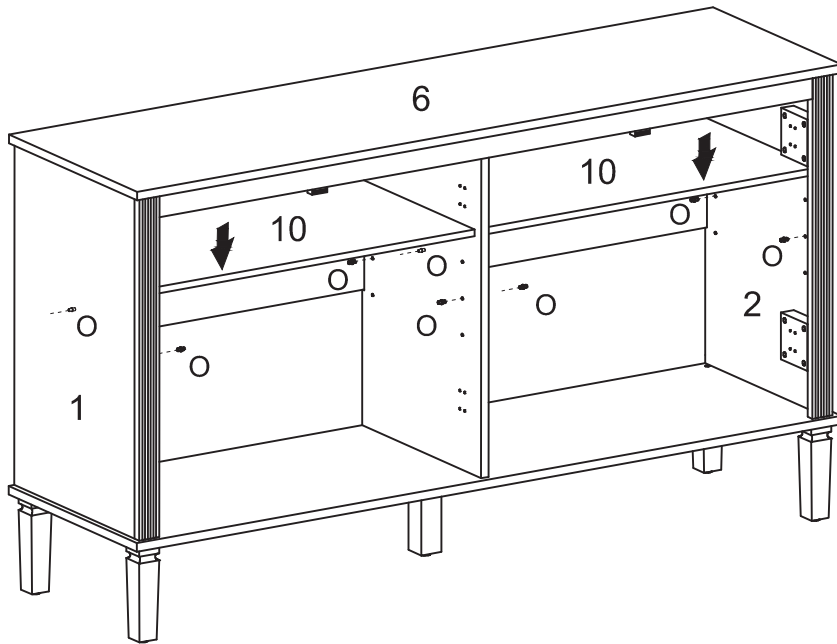
N	
M4*45mm Screw	
10pcs	



10. Attach the Legs (13), Centre Leg (14) and Covers (M) to the Frame.



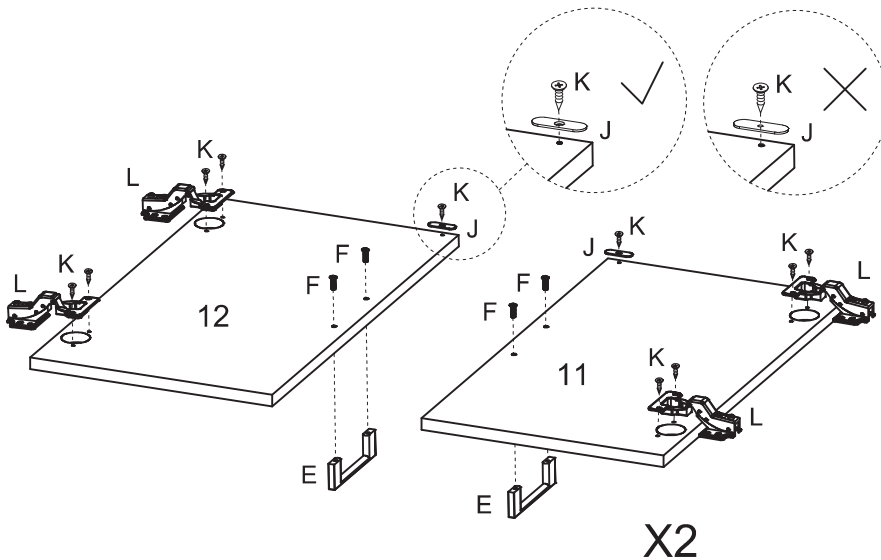
M	
Cover	
12pcs	


11. Attach the Shelf Support and put Shelf Boards (10) into the Frame.







Shelf Support
8pcs


12. Attach the Hinges, Handles and Door Strike Plates to the Door Panels.




E

Handle
4pcs

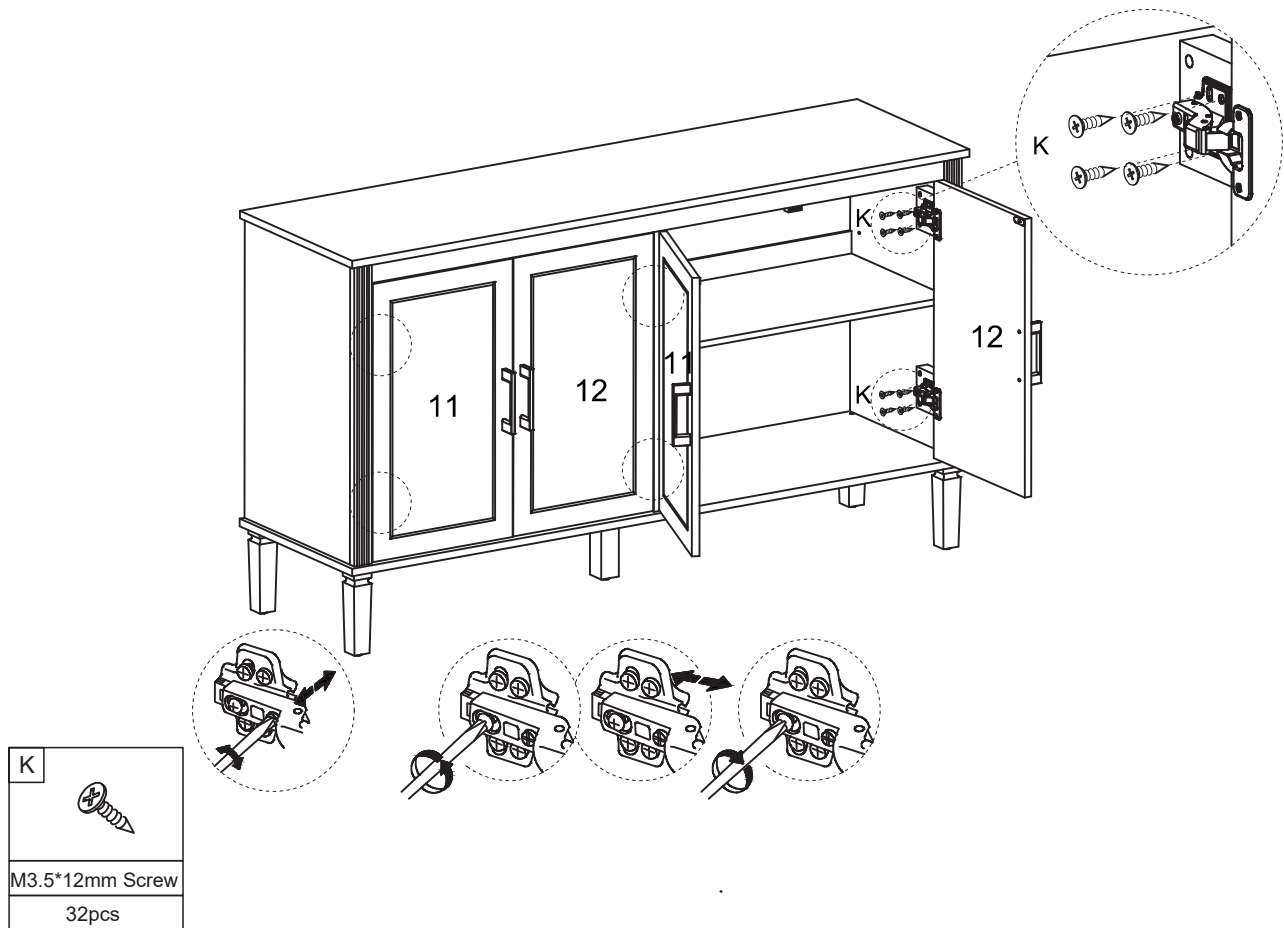
F

M4*20mm Bolt
8pcs

J

Door Strike Plate
4pcs

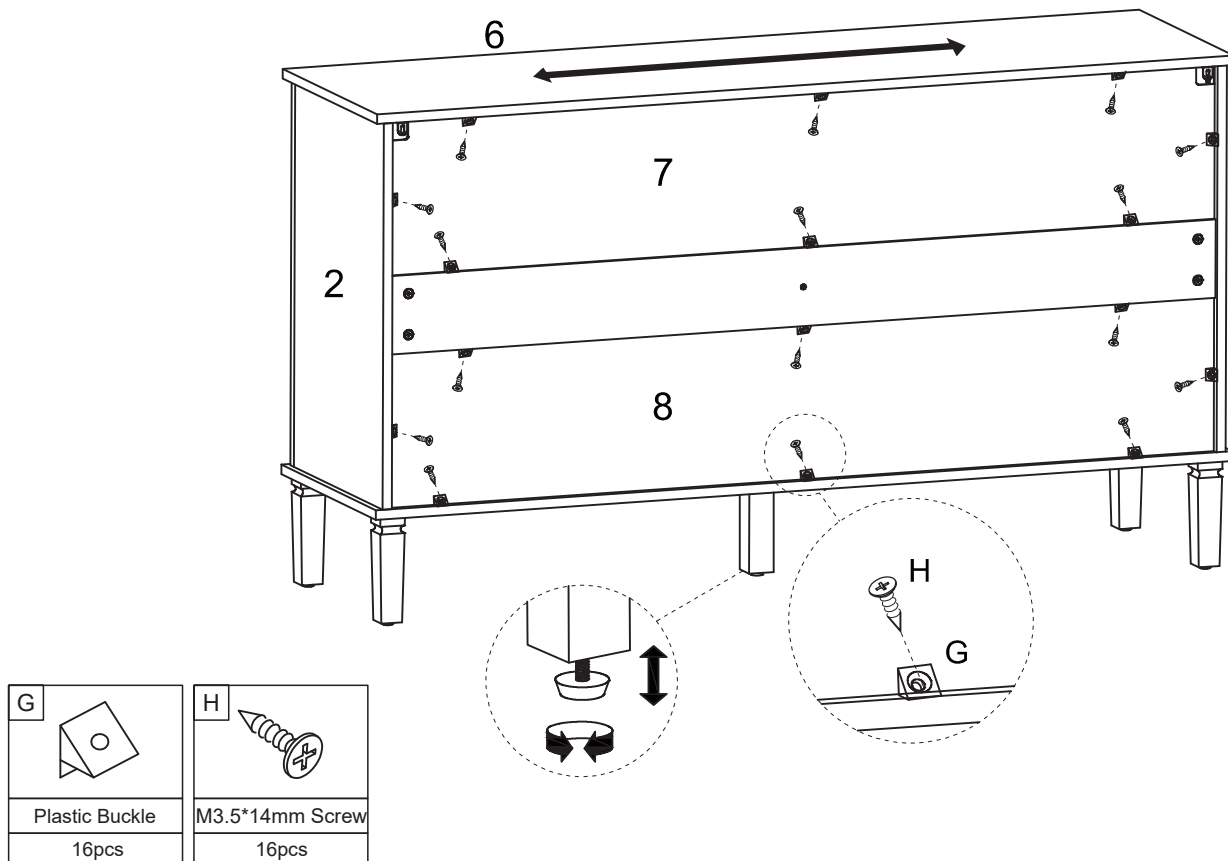
K

M3.5*12mm Screw
20pcs

L

Hinge
8pcs

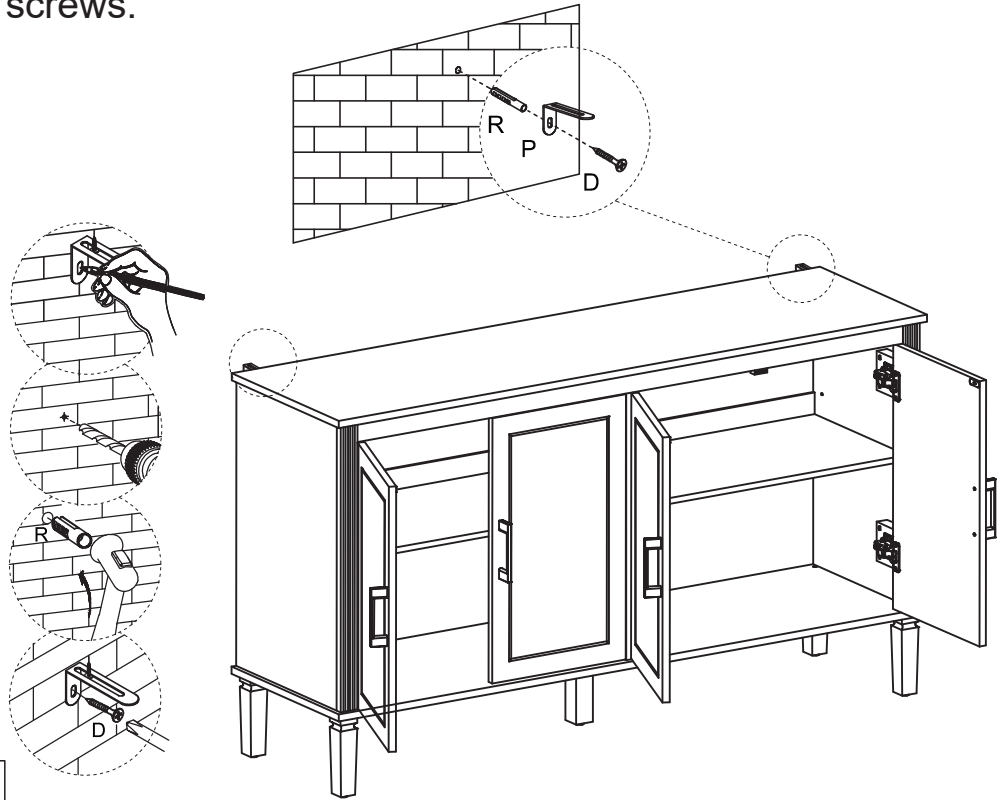
13. Attach Door Panels (11,12) to the Frame.





14. Attach the plastic buckles on back. Before securing them, manually adjust the frame to ensure the drawers are properly aligned, even, and parallel. The Centre Leg is adjustable if necessary



15. Fix the wall bracket to the wall by drilling holes, inserting wall anchors, and securing it with screws.



D	
M4*35mm Screw	
2pcs	

R	
Wall Anchor	
2pcs	