

DUSK.COM

LIVING | BEDROOM | DINING

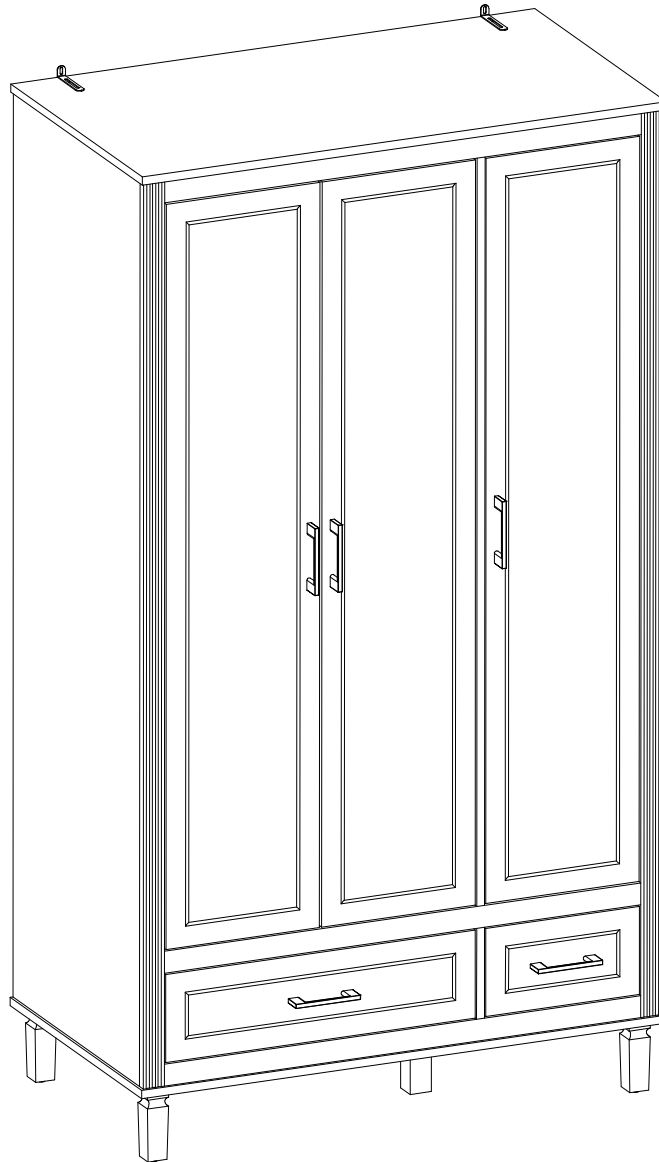
Range Name: Sienna

Box 1 dimensions: W112xD62.5xH16 cm

Box 2 dimensions: W180.5xD62.5xH14 cm

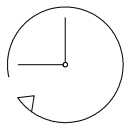
Product dimensions: W99xW55xH180 cm

3 Door Wardrobe

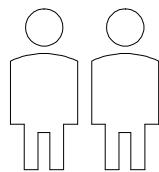


THIS INSTRUCTION BOOKLET CONTAINS IMPORTANT SAFETY INFORMATION.

PLEASE READ AND KEEP FOR FUTURE REFERENCE.



Up to 90 minutes
assembly time



Two person
assembly

This product is intended for domestic use only, not for commercial purposes.

P-1-29
V-2.0

Important

Assembly Tip

Before you begin, we advise laying everything out on a clean and soft level surface to avoid damaging the unit or your floor. It's best to identify all of the parts and fittings to build your 3 door wardrobe, and to familiarise yourself with all of the parts and fittings before building.

Top Tip

We recommend that you build your new 3 door wardrobe in the room you'd like it to be located. This will help prevent any risk of damage to the product whilst moving it.

Safety and Care

1. It's important to ensure children and animals are kept away from the assembly area, as there are small components used in this 3 door wardrobe which could present a choking hazard.

All plastic and wrapping materials should also be kept away from children and animals to prevent any risk of suffocation.

2. Do not stand on your product.

3. Always use the item on firm level ground, ensuring all legs remain in contact with the ground.

4. Place heaviest items in the lowest drawers.

5. Do not set TV or other heavy objects on top of the product.

6. Children should always be under supervision whilst using this product. Never allow children to climb on the drawers.

7. Never keep more than one drawer open at the same time.

8. The installation of anti tipping kit to secure your furniture is strongly suggested.

9. Serious or fatal crushing injuries can occur from tipping furniture.

Help and Support

Please contact our customer service team on 0113 519 0311 if you have any questions or issues with your purchase.

Recycling

Please ensure that packaging is disposed of in a safe and environmentally friendly way, and recycle where possible. Please keep your assembly instructions safe to refer back to in the future.

Care and Maintenance

1. Only clean using a damp cloth, do not use bleach or abrasive cleaners as they may damage the finish over time.

3. Do not scrub or rub the surface when cleaning.

2. Do not use a very wet cloth or allow any liquid to contact with the veneer for a long period of time. Wipe any spillage immediately. Absorption can cause wood to warp or finishes to de-laminate.

4. Do not drag the 3 door wardrobe when moving, lift it off the floor instead.

5. Use a placemat or a coaster when putting hot items (e.g. hot drinks and dishes) on the wood surface.

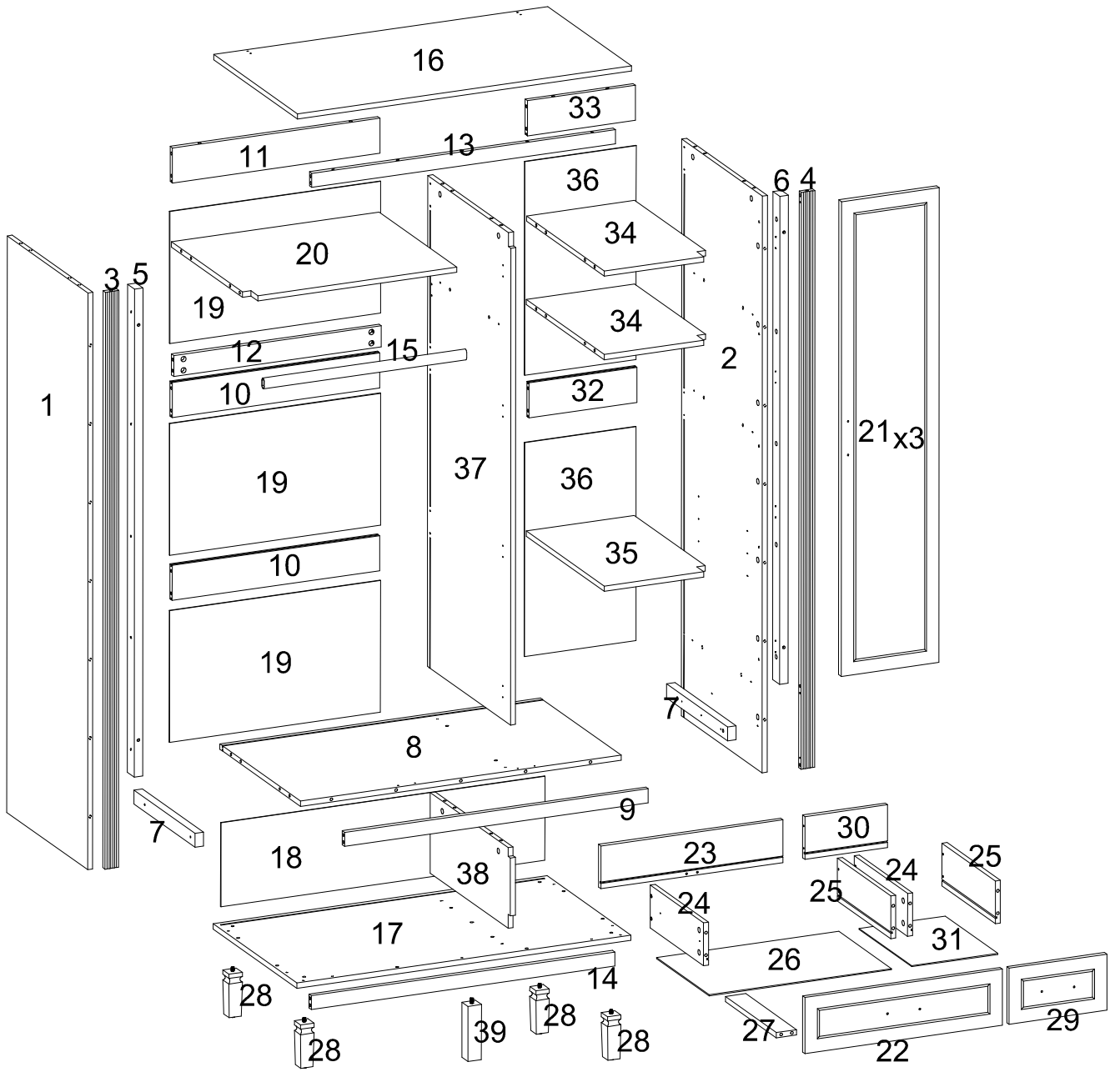
6. It is not recommended to place the item next to sources of heat such as radiators, fires or directly exposed to sunlight. This may cause the wood to crack, split or fade due to the change of the humidity and temperature.

7. Wood will mellow and change colour over time, we recommend that ornaments and items placed on the surface to be moved regularly to prevent uneven mellowing.

8. Regularly check all fixings to ensure none have come loose. Re-tighten if necessary.

9. Avoid sharp items such as a screwdriver or any pointy tools.

Parts list



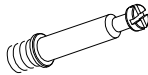


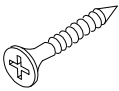
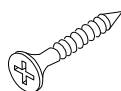
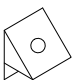

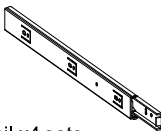

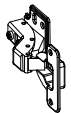


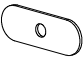


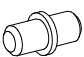
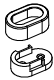

Parts list

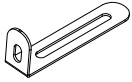
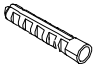
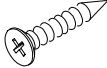

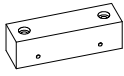


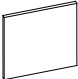
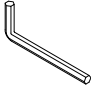
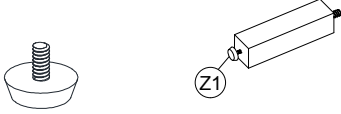
Before you begin building your product, please take a moment to read through the instructions and make sure that you have all the relevant parts listed on the parts check list.

Part Number	Part Description	Quantity	Box No	Part Number	Part Description	Quantity	Box No	Part Number	Part Description	Quantity	Box No
1	Left Panel	1 pc	Box 2	15	Hanging Bar	1 pc	Box 2	29	Right Drawer Front	1 pc	Box 1
2	Right Panel	1 pc	Box 2	16	Top Panel	1 pc	Box 1	30	Right Drawer Back Side	1 pc	Box 1
3	Left Side Bar	1 pc	Box 2	17	Bottom Panel	1 pc	Box 1	31	Right Drawer Bottom	1 pc	Box 1
4	Right Side Bar	1 pc	Box 2	18	Lower Back Panel	1 pc	Box 1	32	Right Middle Back Support Bar	1 pc	Box 2
5	Hinge Left Support Bar	1 pc	Box 2	19	Left Middle Back Panel	3 pcs	Box 1	33	Right Upper Back Support Bar	1 pc	Box 2
6	Hinge Right Support Bar	1 pc	Box 2	20	Left Top Shelf Panel	1 pc	Box 1	34	Right Top Shelf Panel	2 pcs	Box 1
7	Slide Rail Support Bar	2 pc	Box 1	21	Door	3 pcs	Box 2	35	Right Lower Shelf Panel	1 pc	Box 1
8	Bottom Shelf Panel	1 pc	Box 1	22	Left Drawer Front	1 pc	Box 1	36	Right Back Panel	2 pcs	Box 1
9	Middle Front Support Bar	1 pc	Box 2	23	Left Drawer Back Side	1 pc	Box 1	37	Middle Panel	1 pc	Box 2
10	Left Lower Back Support Bar	2 pcs	Box 1	24	Drawer Left Side	2 pcs	Box 1	38	Bottom Middle Panel	1 pc	Box 1
11	Left Upper Back Support Bar	1 pc	Box 2	25	Drawer Right Side	2 pcs	Box 1	39	Centre Leg	1 pc	Box 2
12	Left Middle Back Support Bar	1 pc	Box 1	26	Left Drawer Bottom	1 pc	Box 1				
13	Upper Front Support Bar	1 pc	Box 2	27	Drawer support bar	1 pc	Box 1				
14	Lower Front Support Bar	1 pc	Box 2	28	Leg	4 pcs	Box 2				

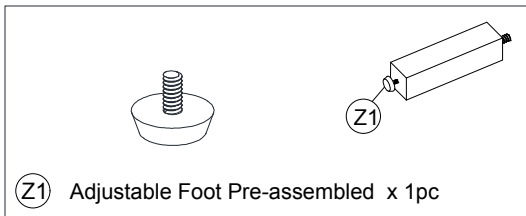
Fittings list

Please check you have all the fittings listed below with your product in box 2.

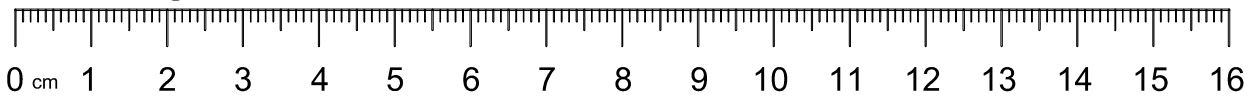
 A M6x35mm Cam Bolt x85pcs(+4 extra)	 B Ø15x9mm Cam Lock x85pcs(+4 extra)	 C Ø8x30mm Wood Dowel x56pcs(+4 extra)
 D M4x45mm Screw x16pcs(+2 extra)	 E M4x35mm Screw x16pcs(+2 extra)	 F Plastic Buckle x31pcs(+3 extra)
 G M3x14mm Screw x39pcs(+4 extra)	 H Slide Rail x4 sets	 I M3x12mm Screw x26pcs(+3 extra)
 J Hinge x12pcs	 K M3.5x12mm Screw x72pcs(+4 extra)	 L Cover x28pcs(+3 extra)
 M Door Strike Plate x6pcs	 N Door Catch x4pcs	 O M6x28mm Bolt x10pcs(+1 extra)
 P Shelf Support x4pcs	 Q Tube Bracket x2 sets	 R M4x14mm Screw x4pcs

 (S) Wall Bracket x2pcs	 (T) Wall Anchor x2pcs	 (U) M3x18mm Screw x4pcs
 (V) M4x25mm Screw x4pcs	 (W) Wooden Block x2pcs	 (X) M4x20mm Screw x10pcs (+1 extra)
 (Y) Handle x5pcs	 (Z) Felt Mat x4pcs	 Allen Key x1pc
 (Z1) Adjustable Foot Pre-assembled x 1pc		

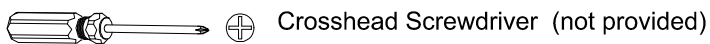
Pre-assembled Fittings



Bolt Length Ruler:



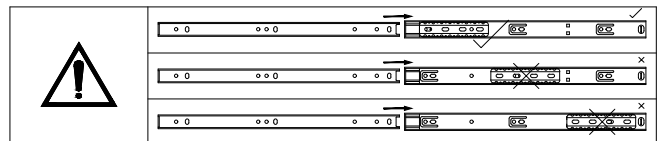
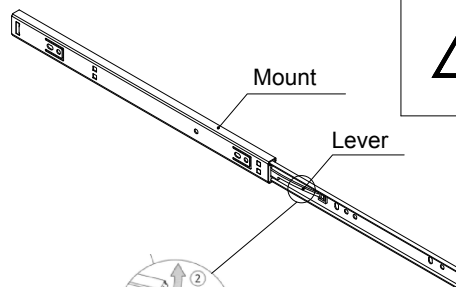
Tool required



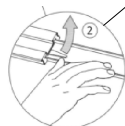
Slides Must Be Separated Before Assembly.
After Separated, Set Aside Until Needed for Assembly.

Pay attention when connecting !
The sliding module must be at the front end.

STEP 1 : Extend Slide

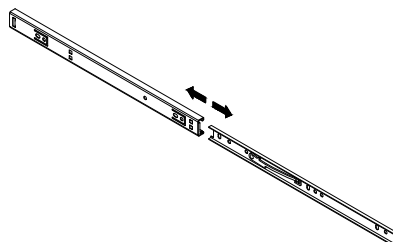


STEP 2: Push Lever UP



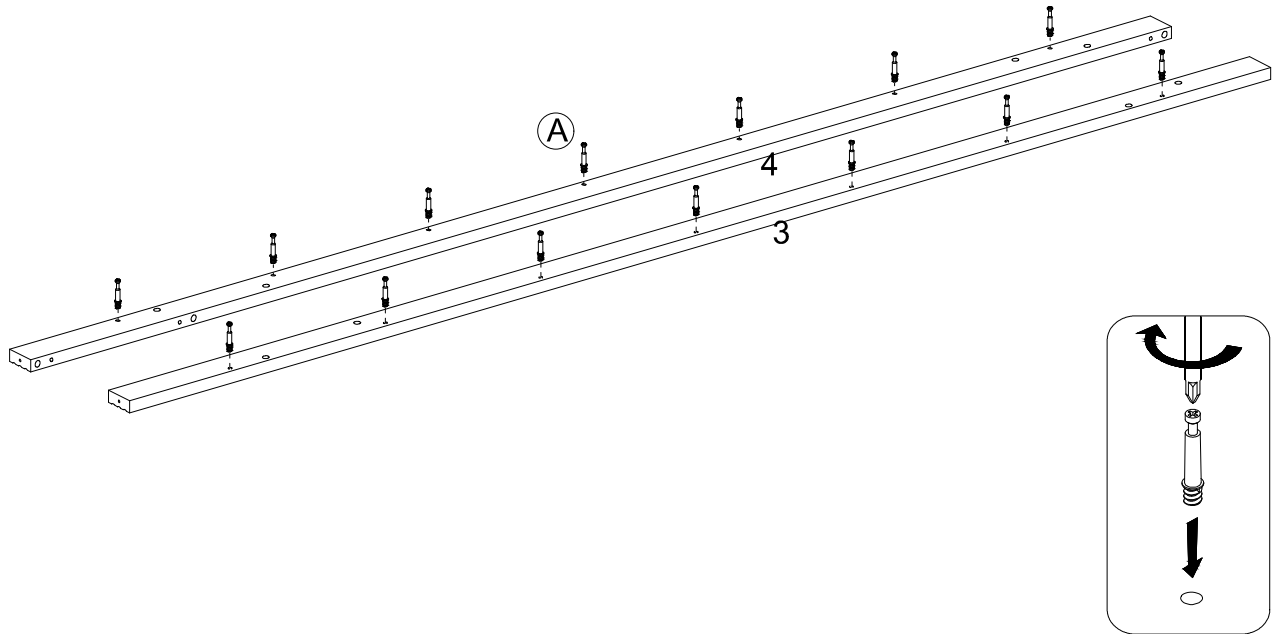
Push lever for the left of drawer ,
press the lever for the right of drawer

STEP 3: Remove Runner



Step 1: Attach the Cam Bolt to the Left Side Bar (3) and the Right Side Bar (4).

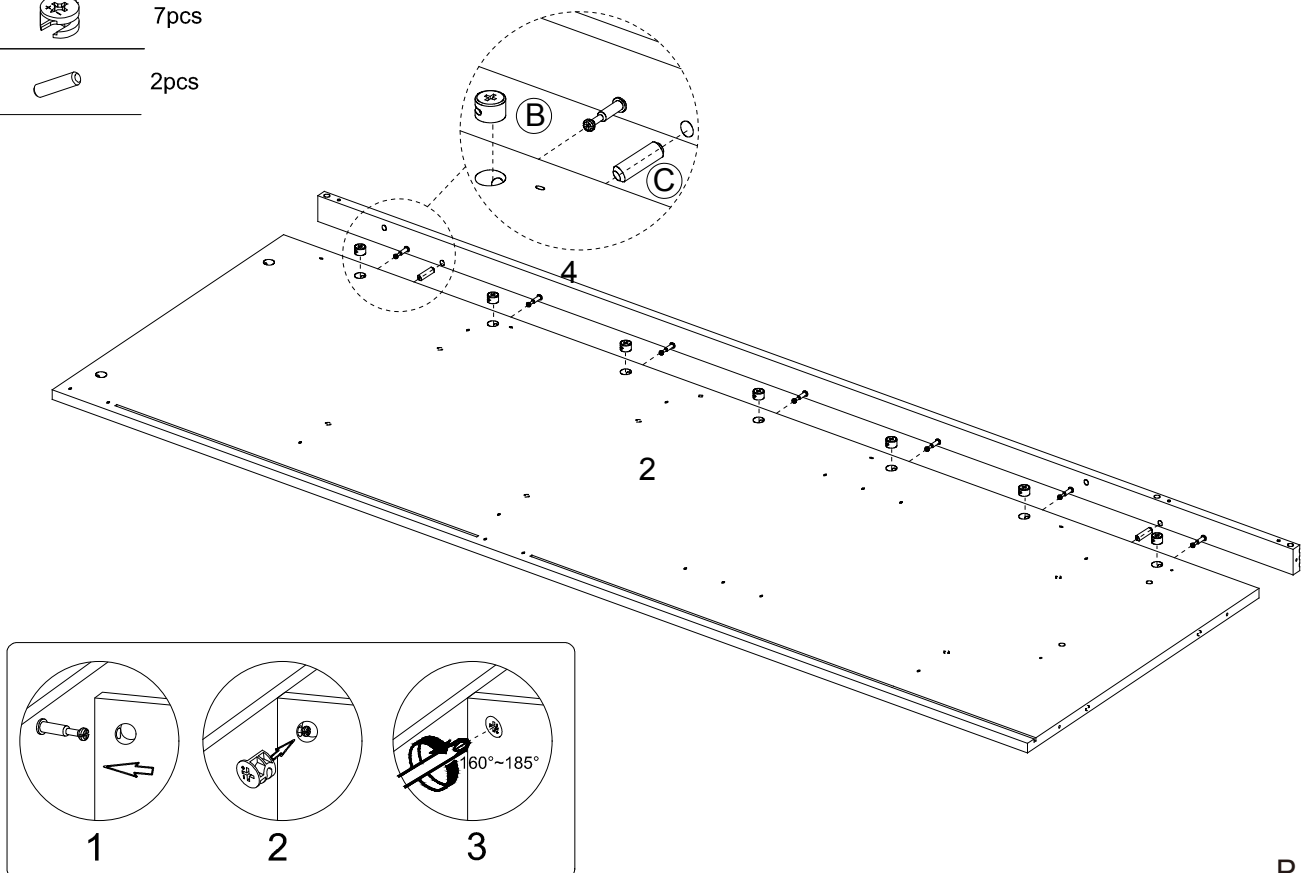
(A)  14pcs



Step 2: Attach Right Side Bar (4) to Right Panel (2).

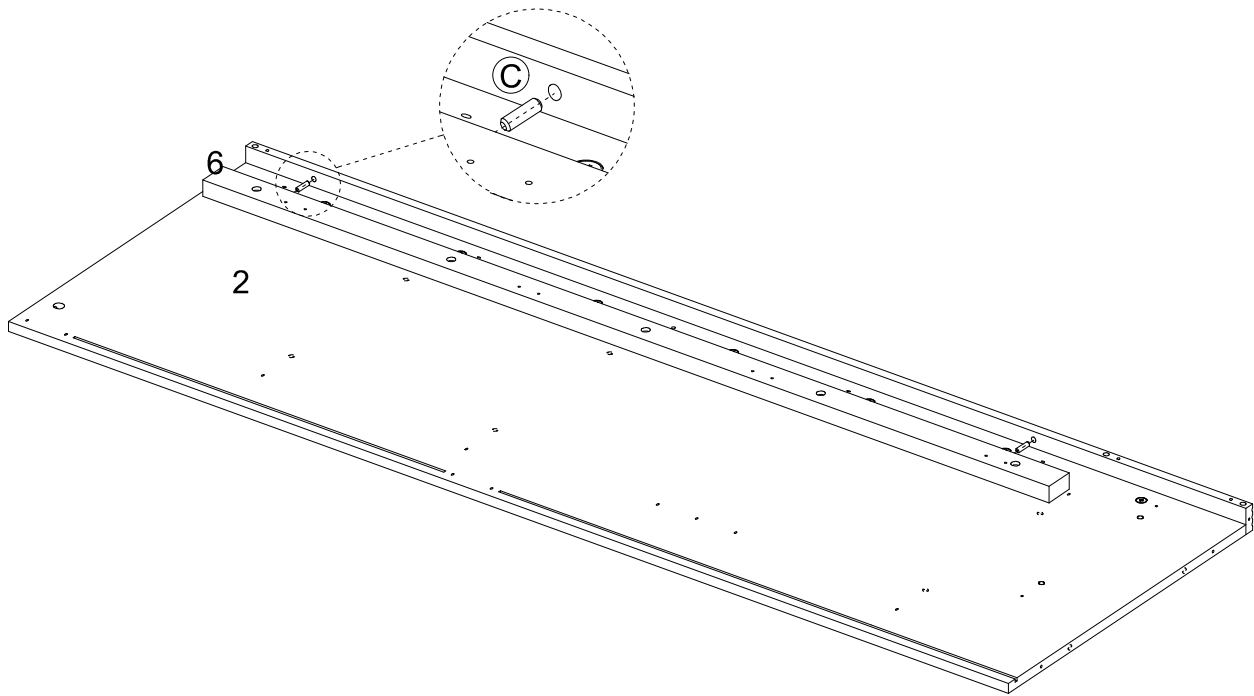
(B)  7pcs

(C)  2pcs



Step 3: Attach the Hinge Right Support Bar (6) to the Frame.

Ⓒ  2pcs

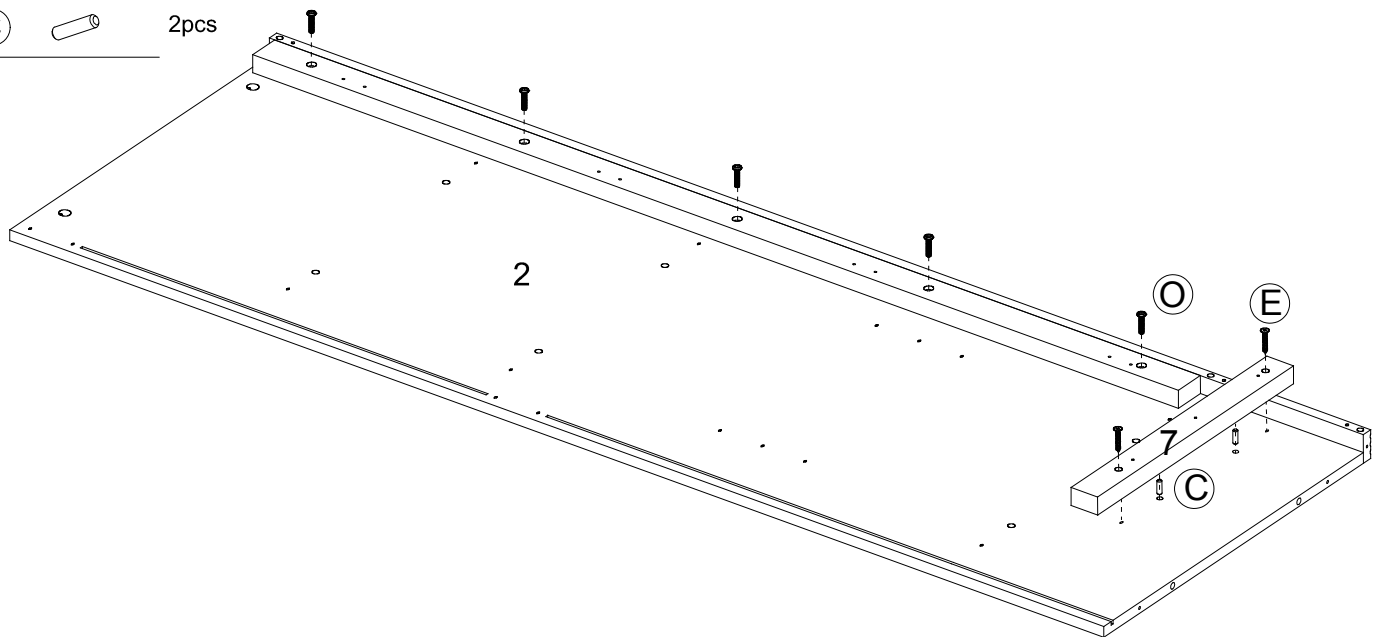


Step 4: Attach the Slide Rail Support Bar (7) to the Frame and tighten Bolts to the Frame.




⓪  5pcs

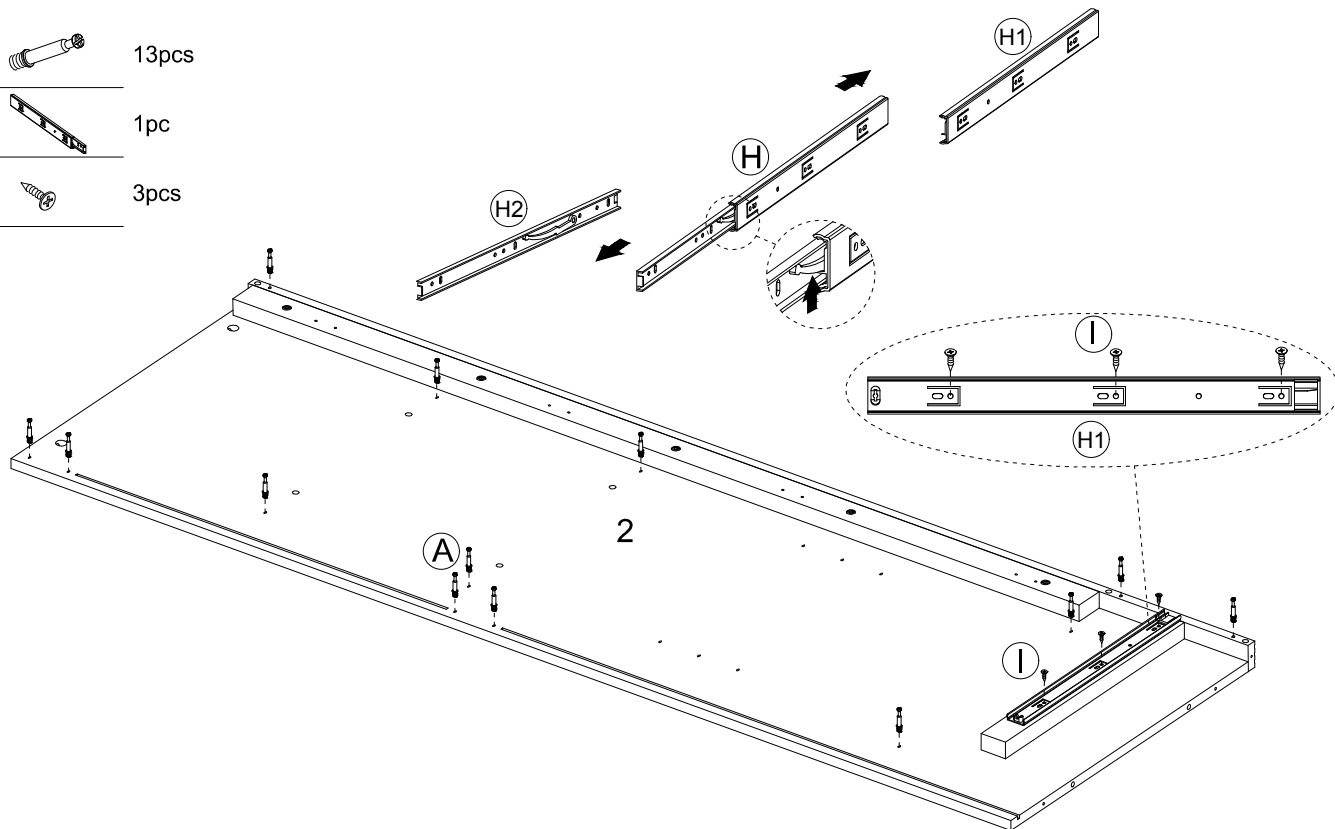
Ⓔ  2pcs

Ⓒ  2pcs


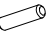


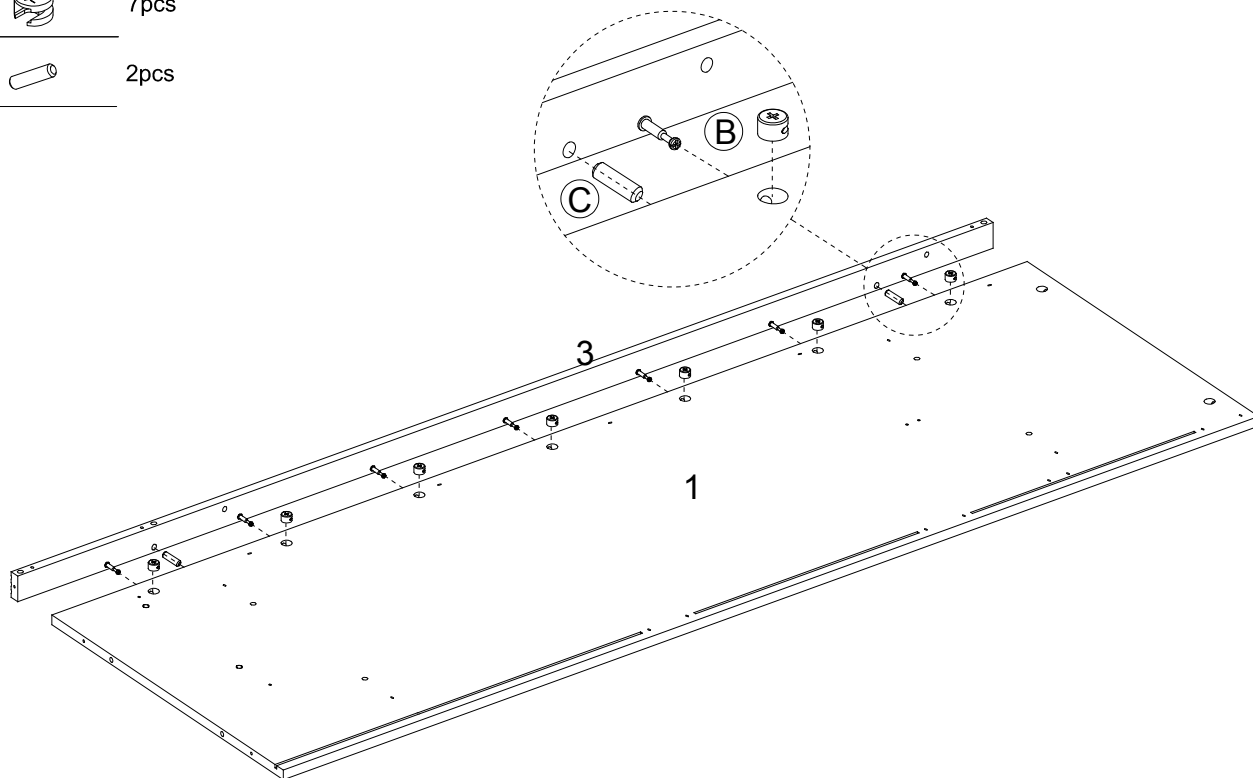
Step 5: Attach the fitting and Slide Rail to the Frame.

- (A)**  13pcs
- (H)**  1pc
- (I)**  3pcs



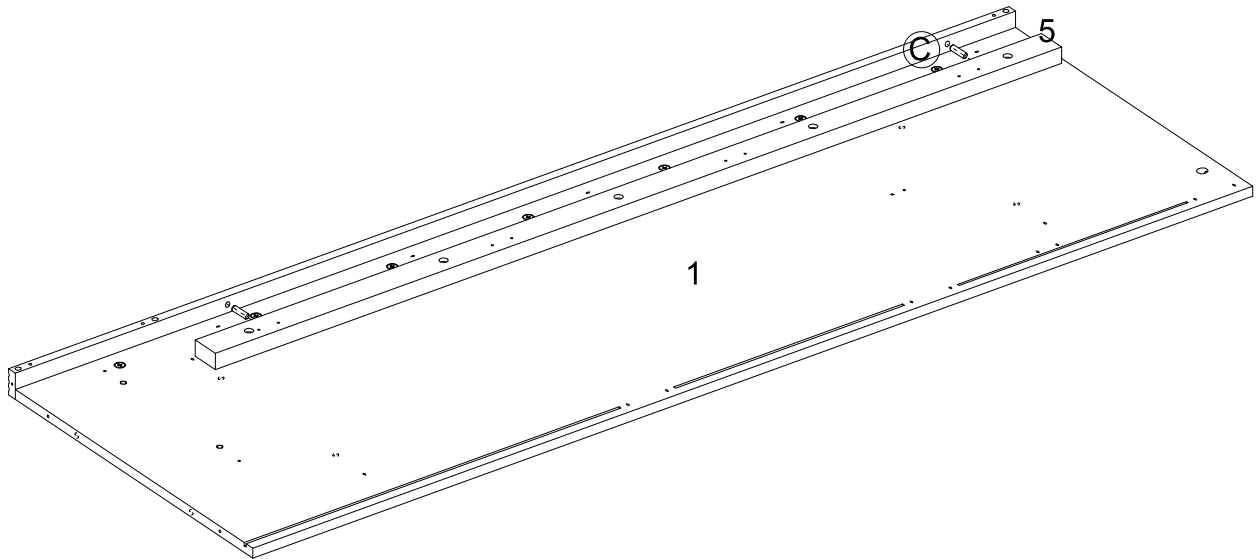
Step 6: Attach Left Side Bar (3) to Left Panel (1).

- (B)**  7pcs
- (C)**  2pcs



Step 7: Attach the Hinge Right Support Bar (5) to the Frame.

Ⓒ  2pcs

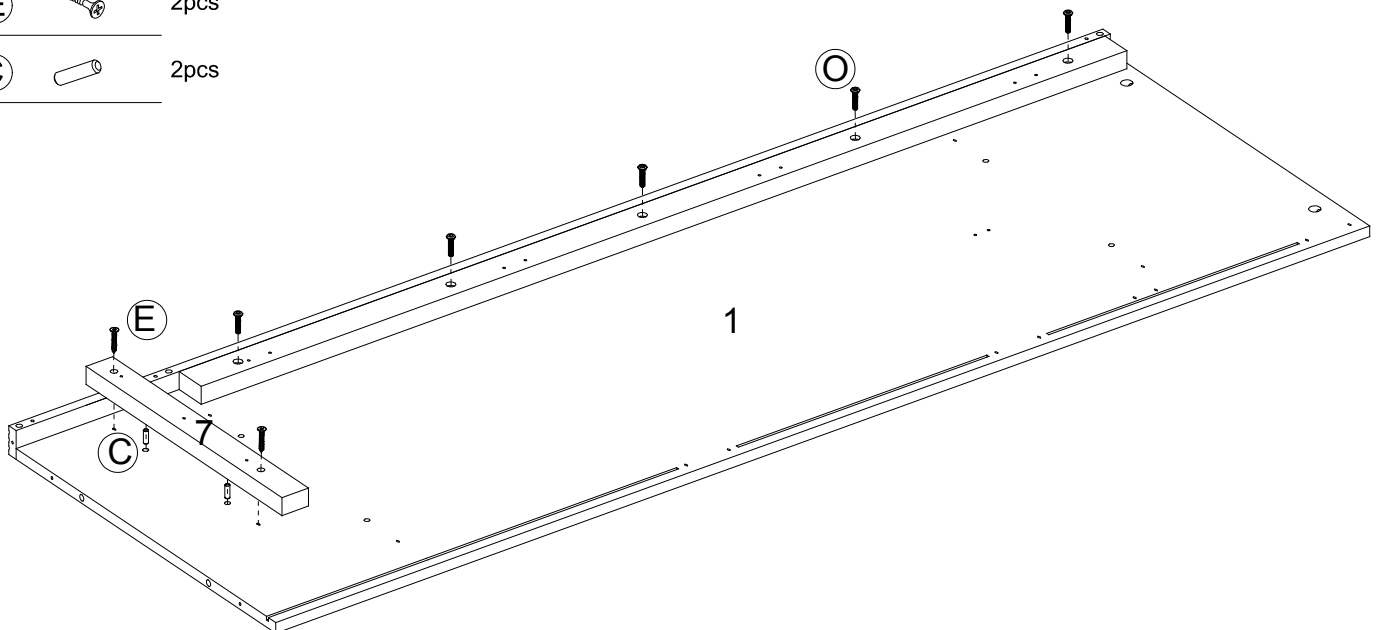


Step 8: Attach the Slide Rail Support Bar (7) to the Frame and tighten Bolts to the Frame.




⓪  5pcs

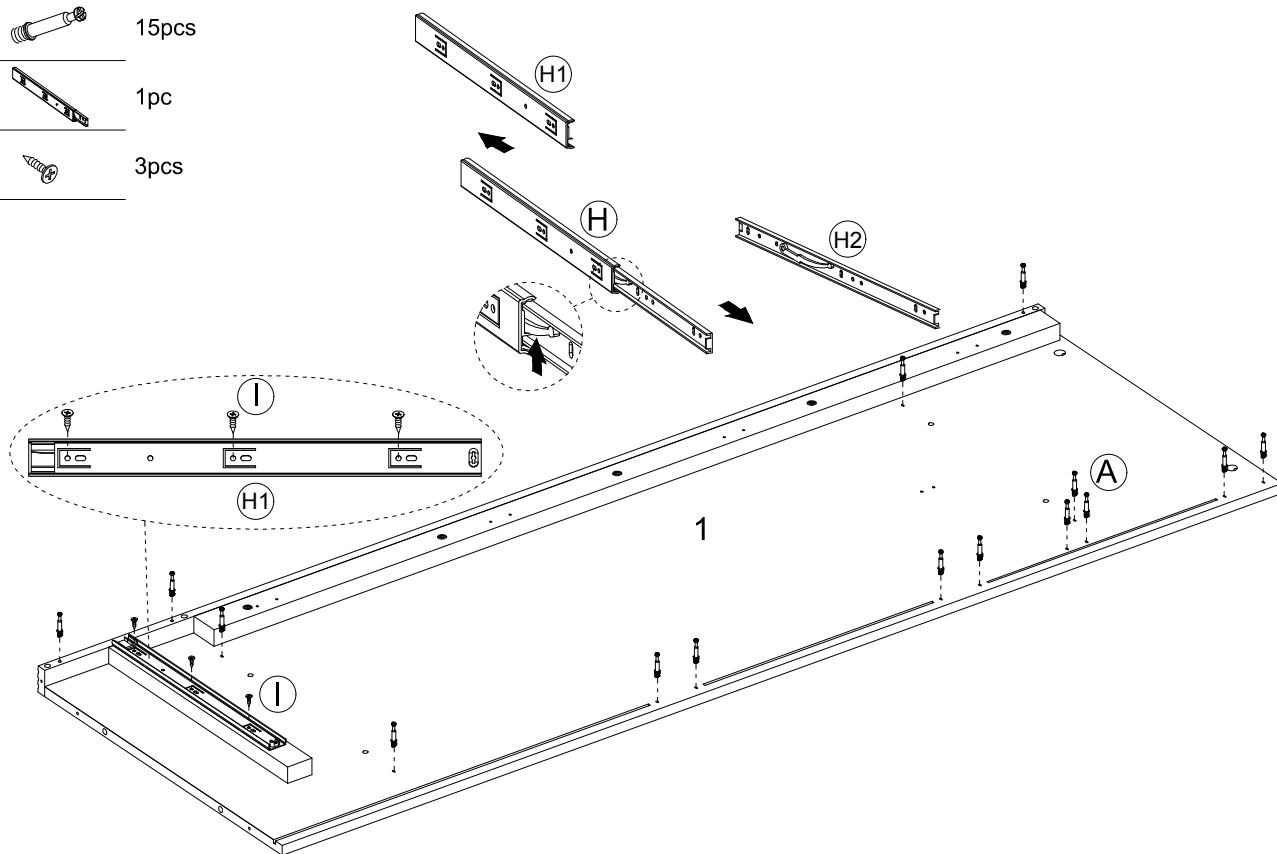
Ⓔ  2pcs

Ⓒ  2pcs





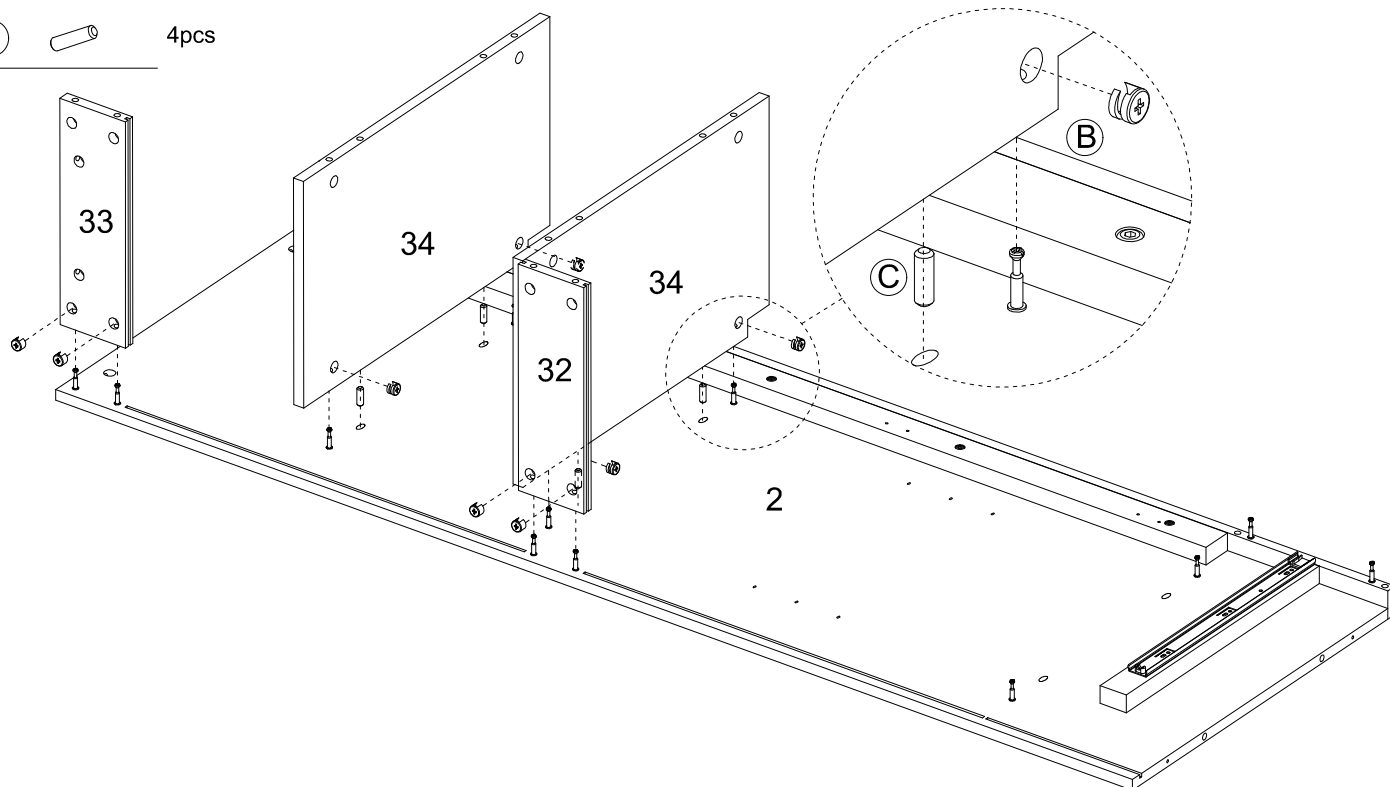
Step 9: Attach the fitting and Slide Rail to the Frame.

- (A)  15pcs
- (H)  1pc
- (I)  3pcs

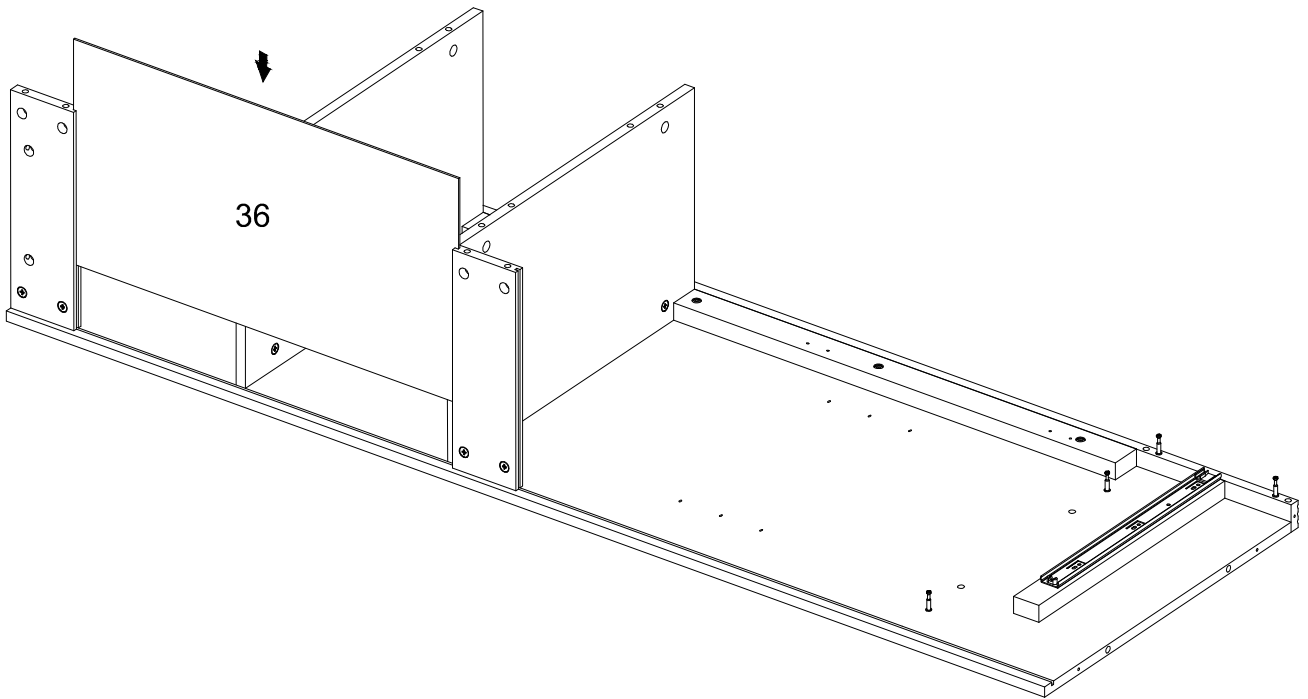


Step 10: Attach parts (32, 33, 34) to Right Panel (2).

- (B)  8pcs
- (C)  4pcs

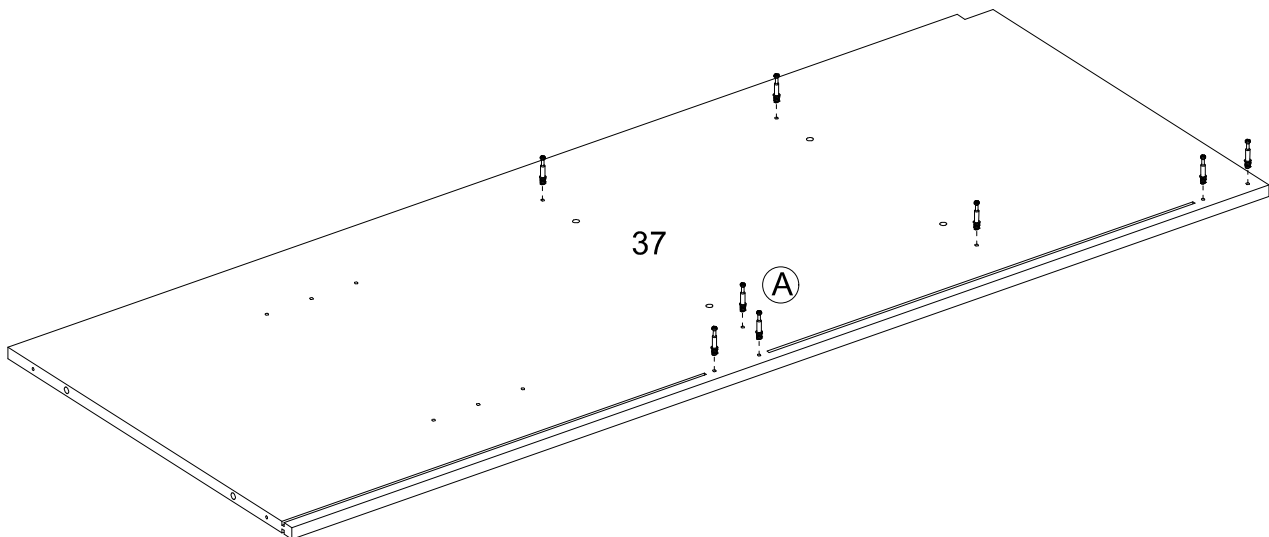


Step 11: Attach the Right Panel (36) to the Frame.



Step 12: Attach the Cam Bolt to the Middle Panel (37) .

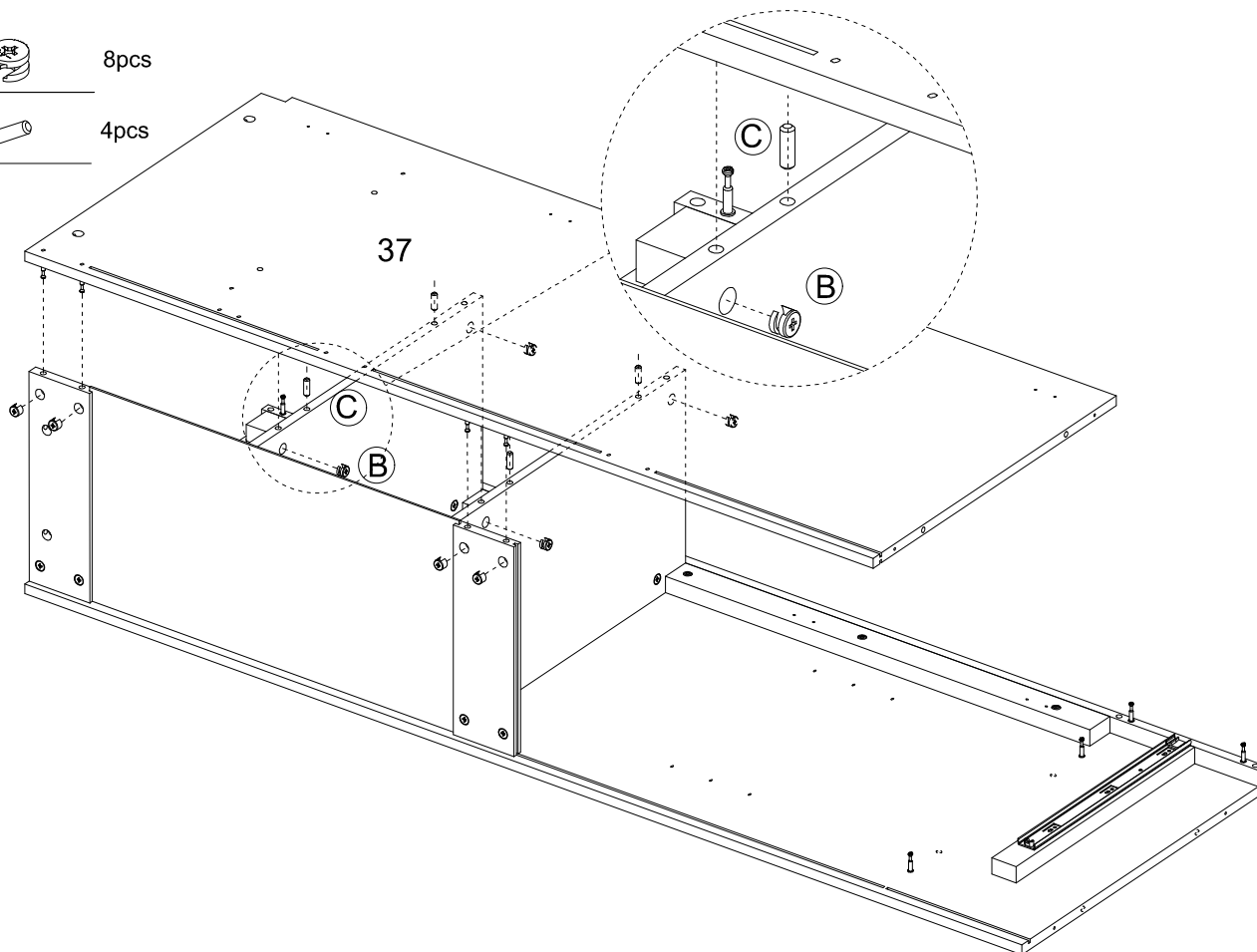
(A)  8pcs



Step 13: Attach the Middle Panel (37) to the Frame.

(B)  8pcs

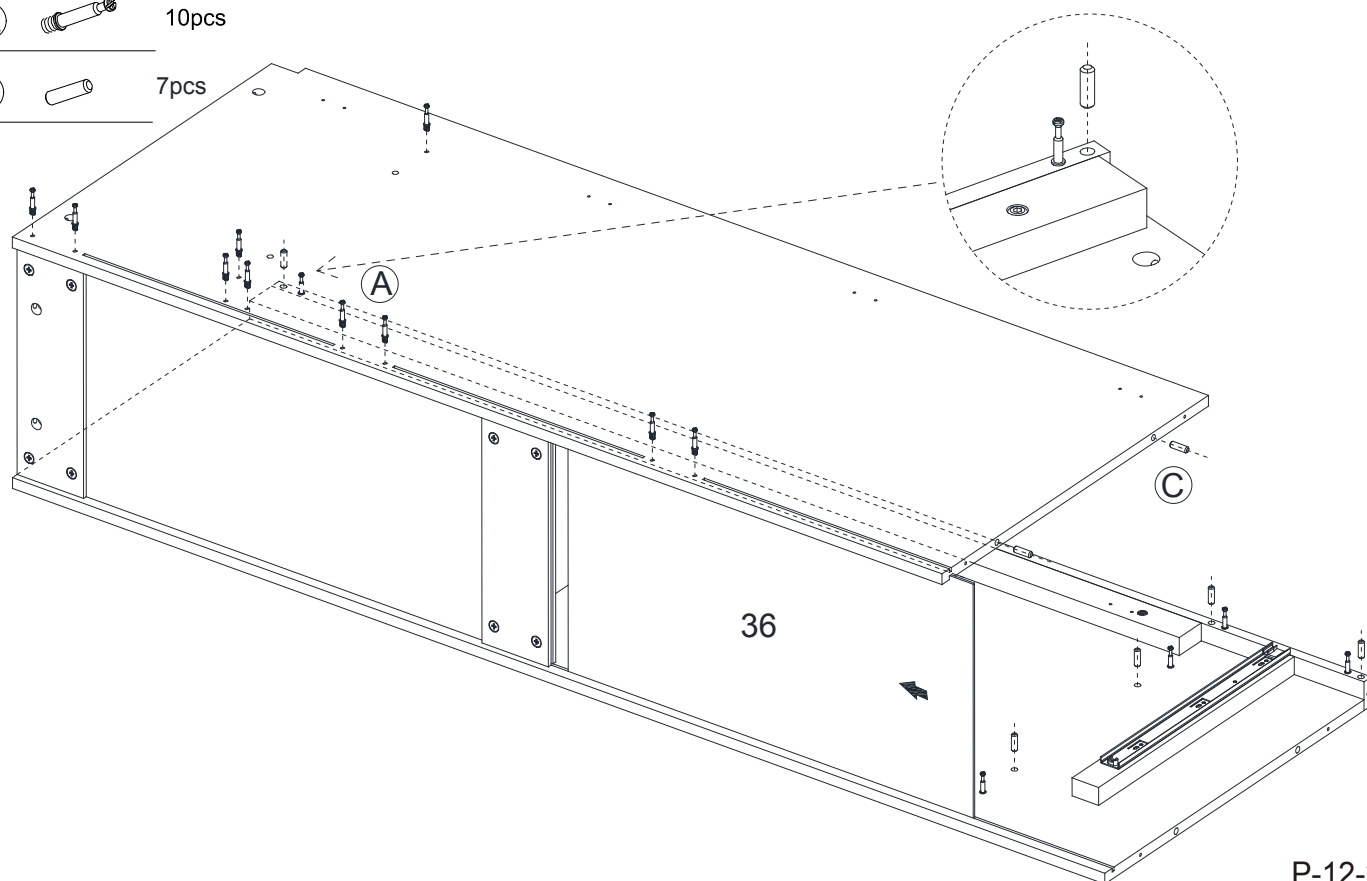
(C)  4pcs



Step 14: Attach the Right Back Panel (36) to the Frame, then attach the Cam Bolt (A) and the Wood Dowel (C) to the Frame.

(A)  10pcs

(C)  7pcs

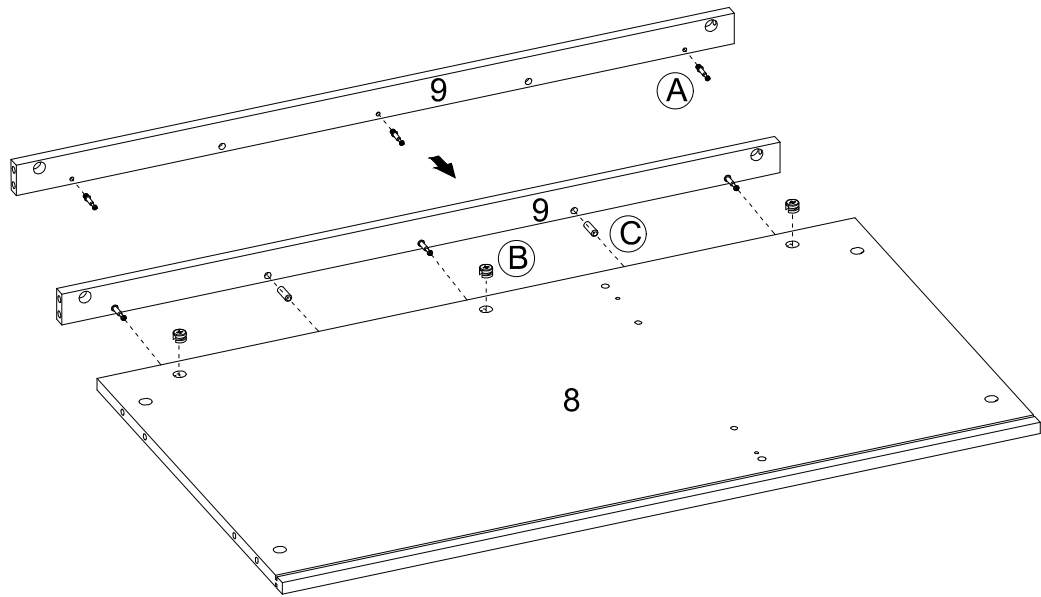


Step 15: Attach the Cam Bolt to the Middle Front Support Bar (9), then attach the Middle Front Support Bar (9) to the Bottom Shelf Panel (8).

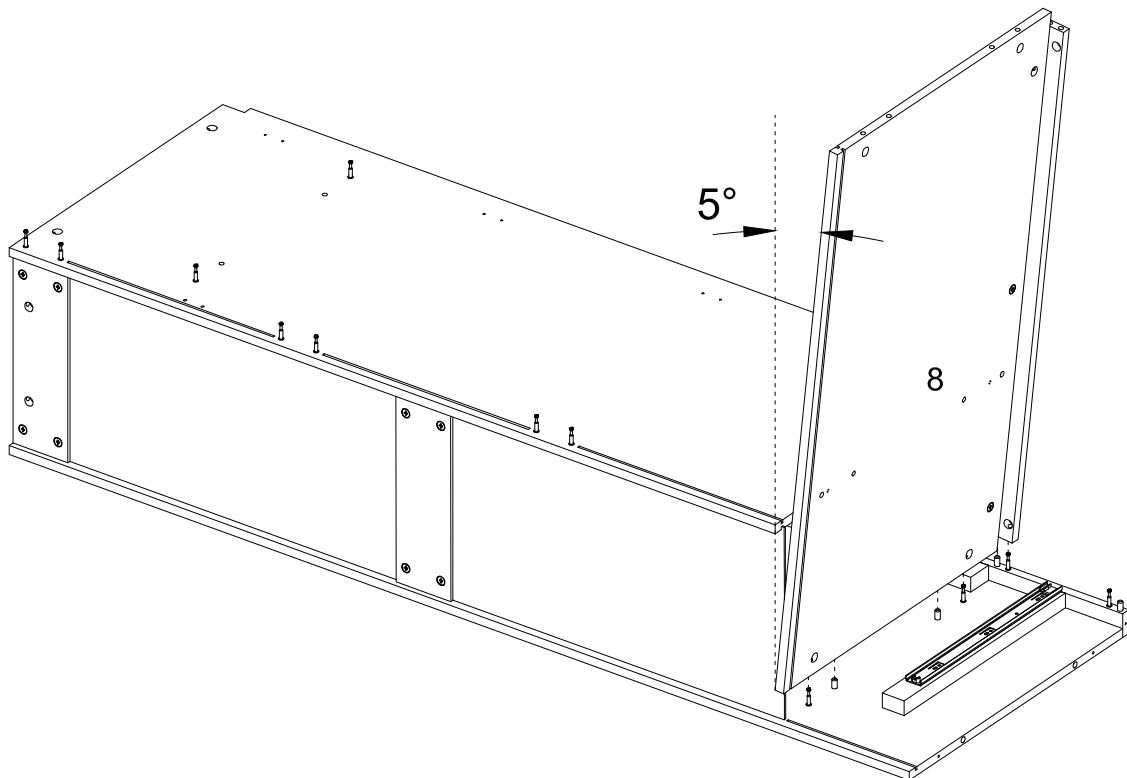
(A)  3pcs

(B)  3pcs





(C)  2pcs

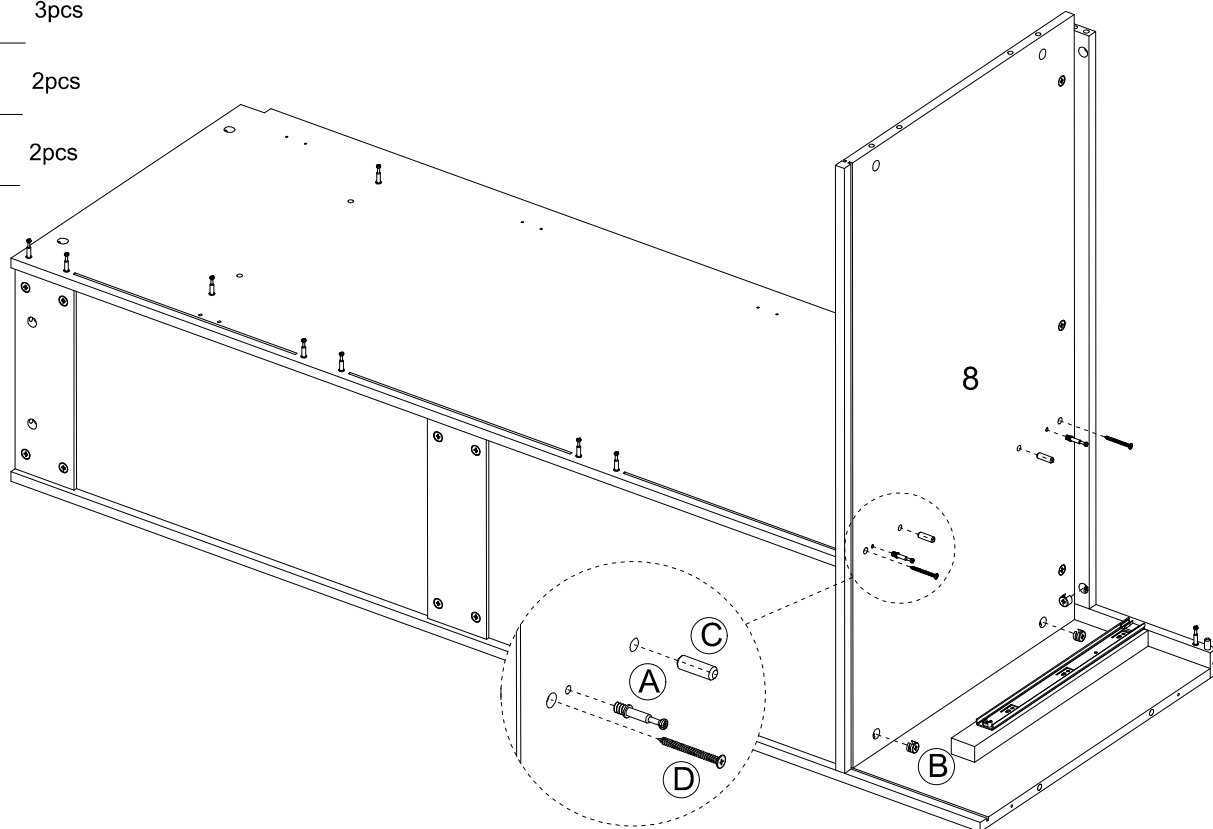


Step 16: Attach the Bottom Shelf Panel (8) to the Frame.





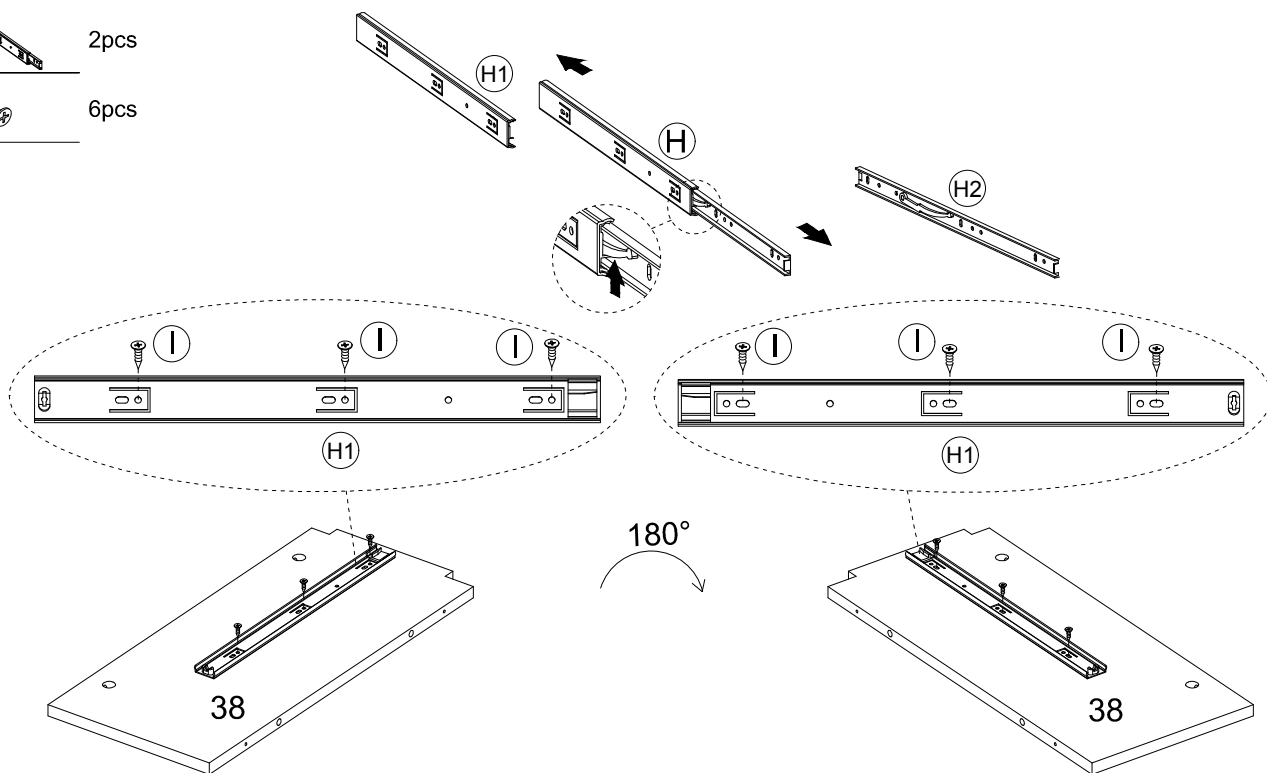
Step 17: Fasten the Bottom Shelf Panel (8) using screw (D) and cam lock (B), then attach the Cam Bolt (A) and Wood Dowel (C) to the Bottom Shelf Panel (8).

- (A)  2pcs
- (B)  3pcs
- (C)  2pcs
- (D)  2pcs



Step 18: Attach the Slide Rail to the Bottom Middle Panel (38).

- (H)  2pcs
- (I)  6pcs

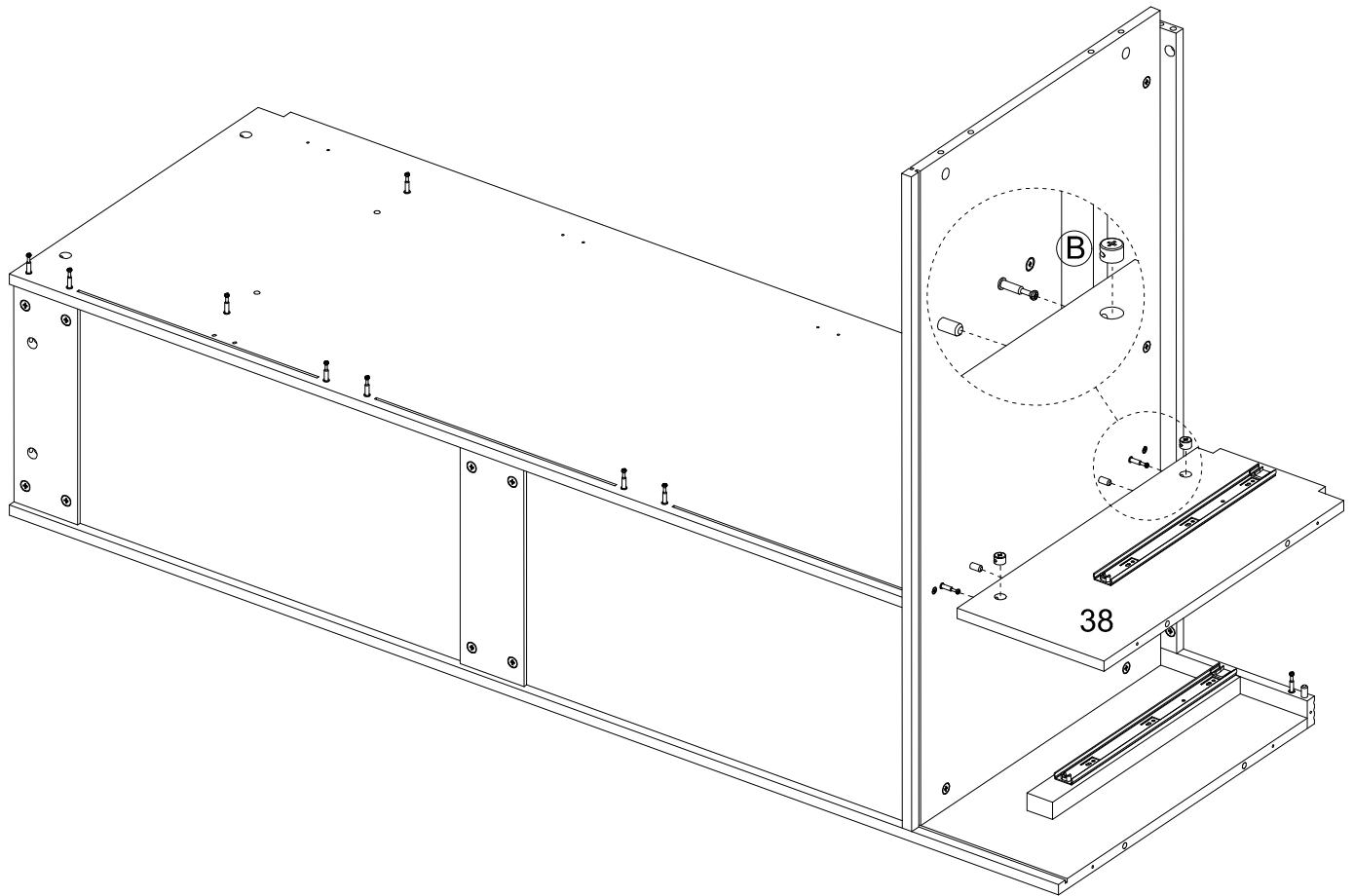


Step 19: Attach the Bottom Middle Panel (38) to the Frame .

(B)




2pcs



Step 20: Attach parts (10, 11, 13, 14, 20) to the Frame.

(B)  10 pcs

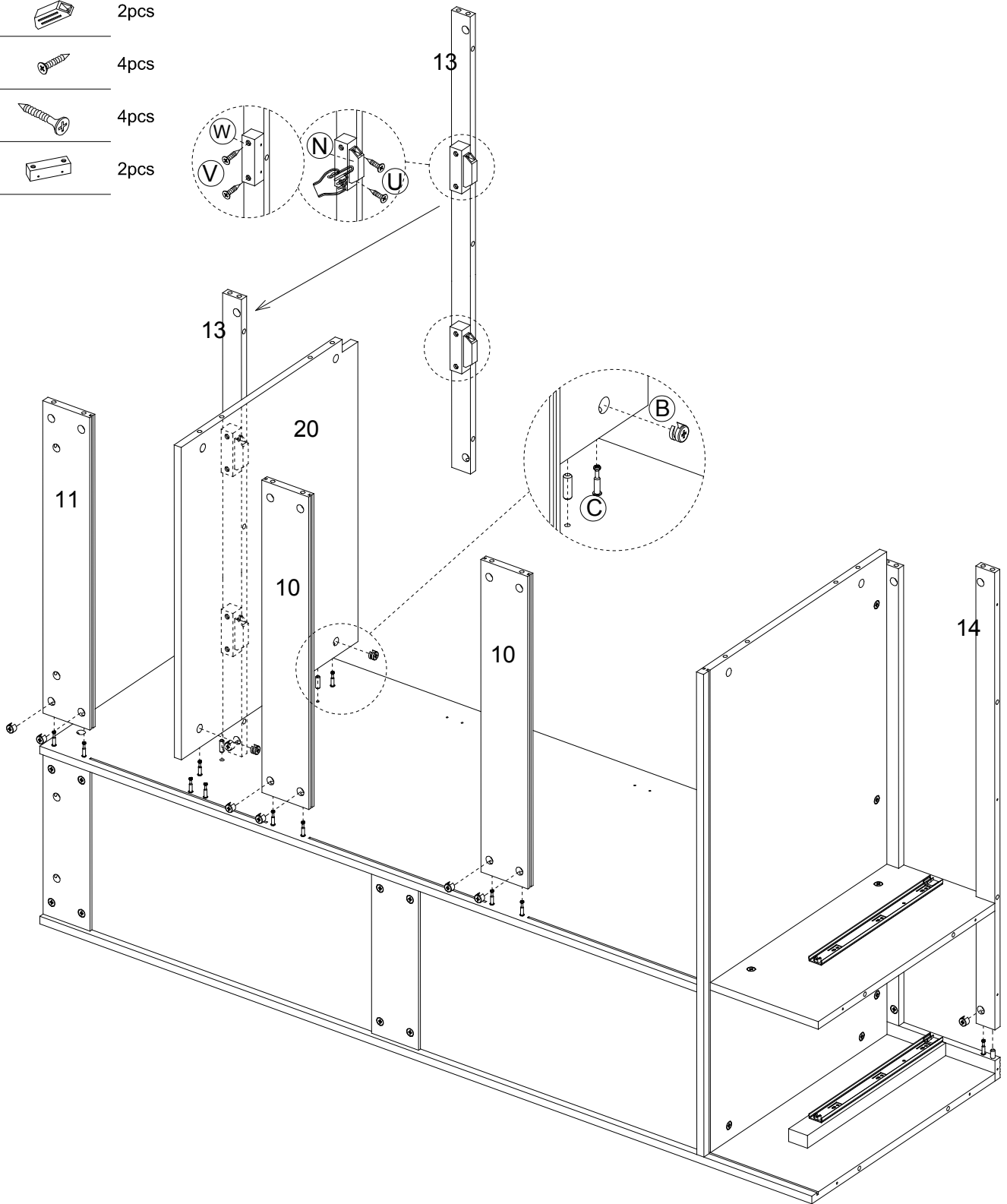
(C)  2 pcs

(N)  2 pcs

(U)  4 pcs

(V)  4 pcs

(W)  2 pcs

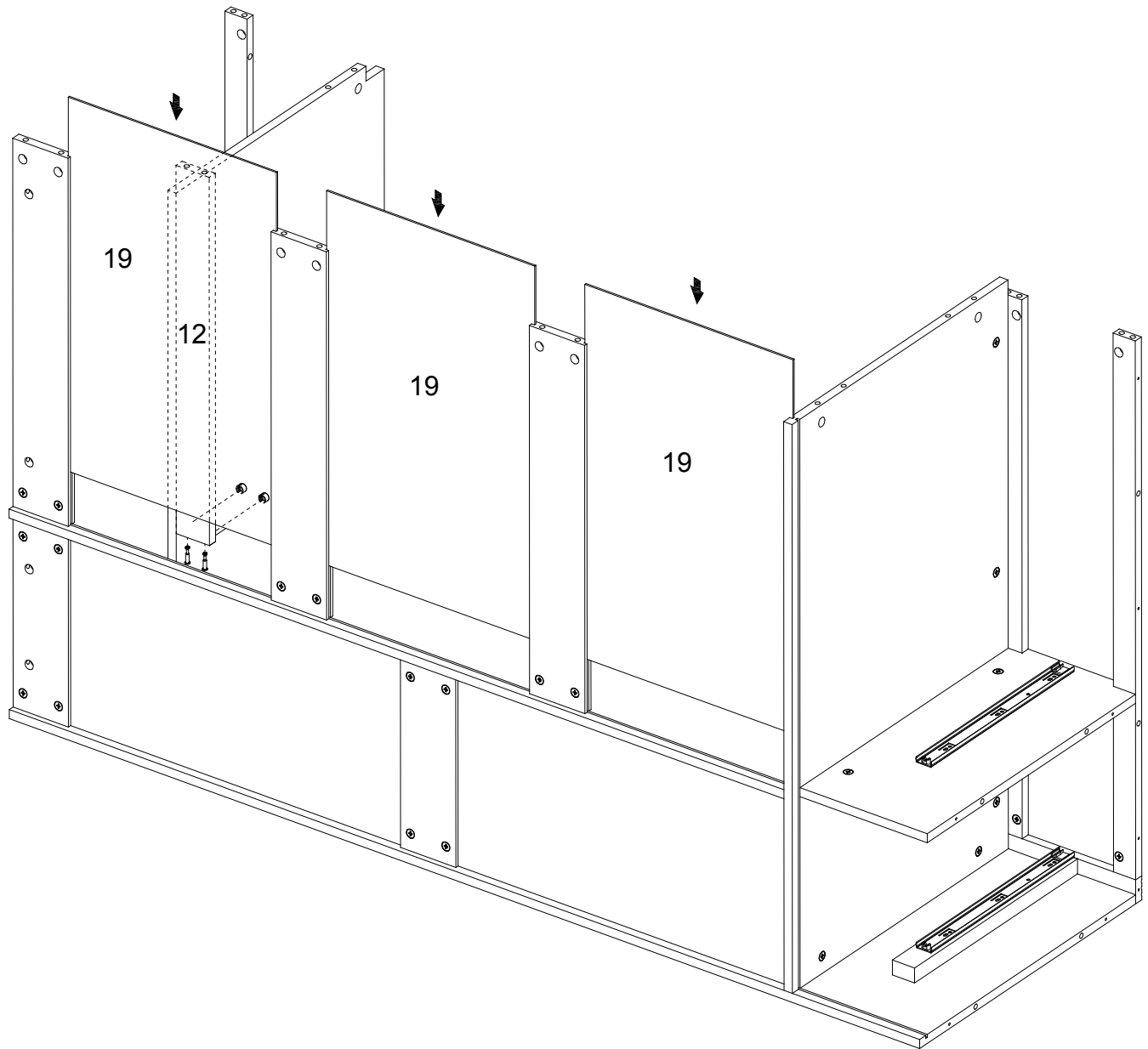


Step 21: Attach the Left Middle Back Panel (19) to the Frame, then attach the Left Middle Back Support Bar (12) to the Frame .

(B)



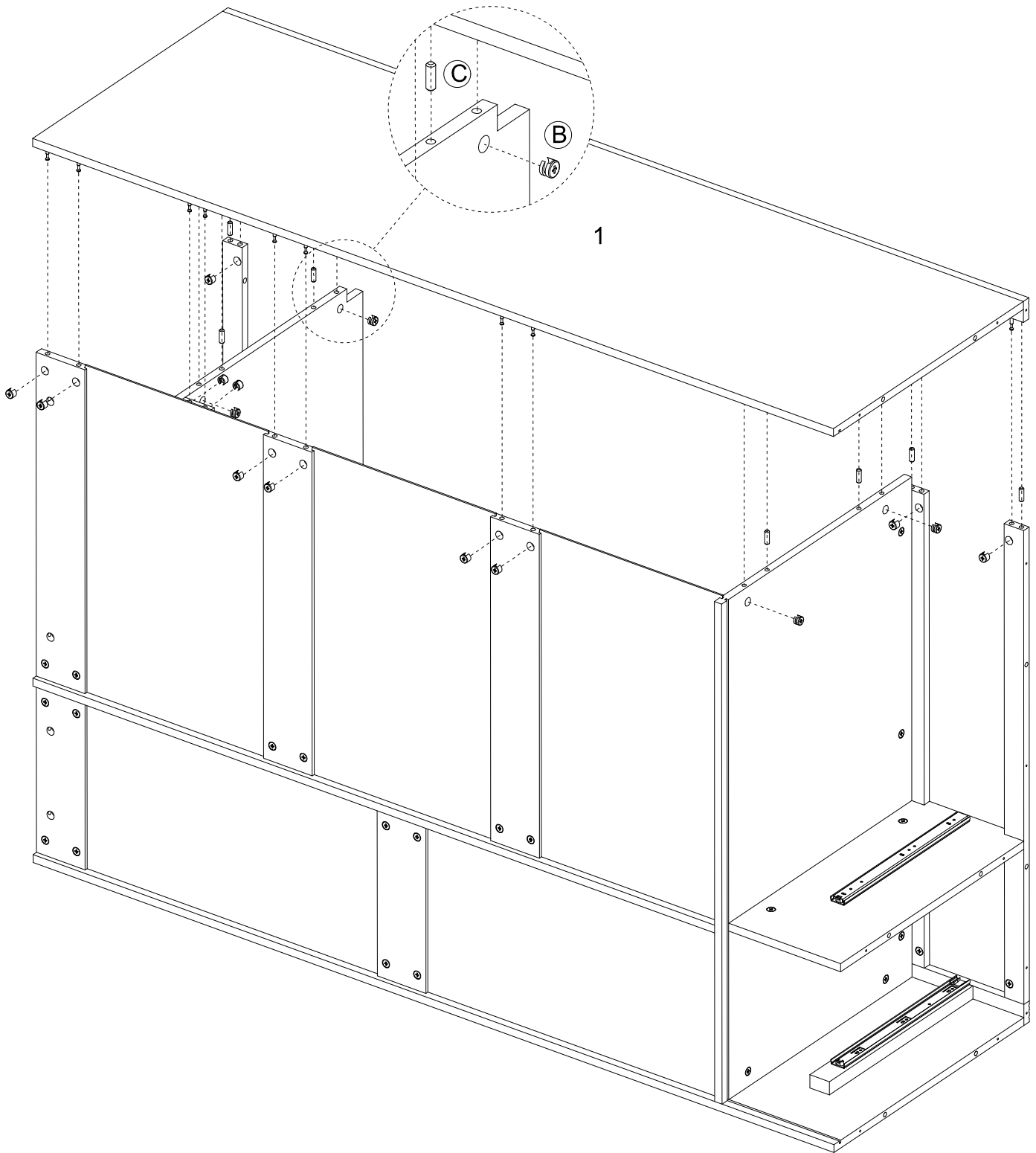
2 pcs



Step 22: Attach the Left Panel (1) to the Frame.

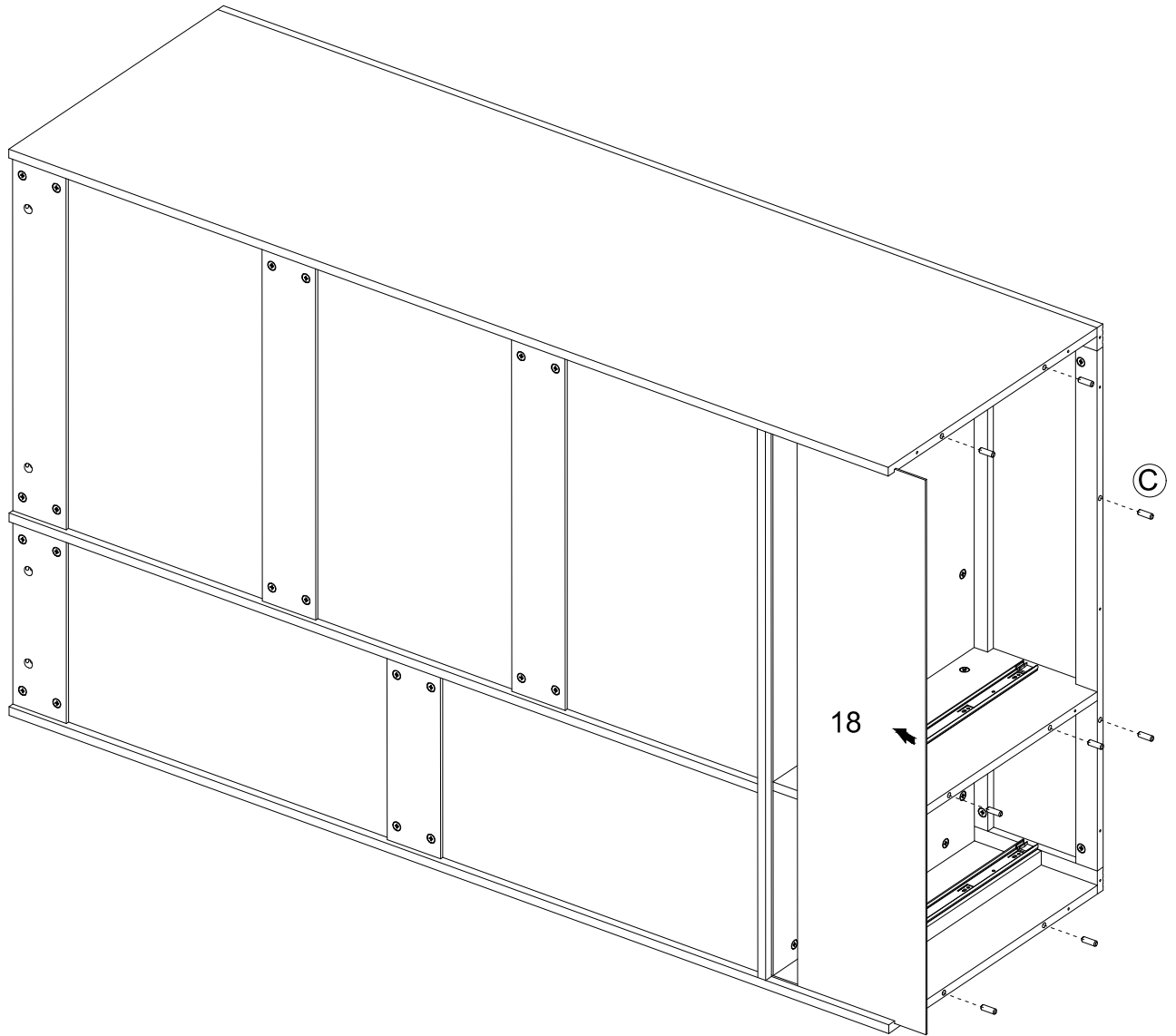
Ⓑ  15pcs

Ⓒ  7pcs



Step 23: Attach the Lower Back Panel (18) and the Wood Dowel(C) to the Frame.

Ⓒ  8pcs

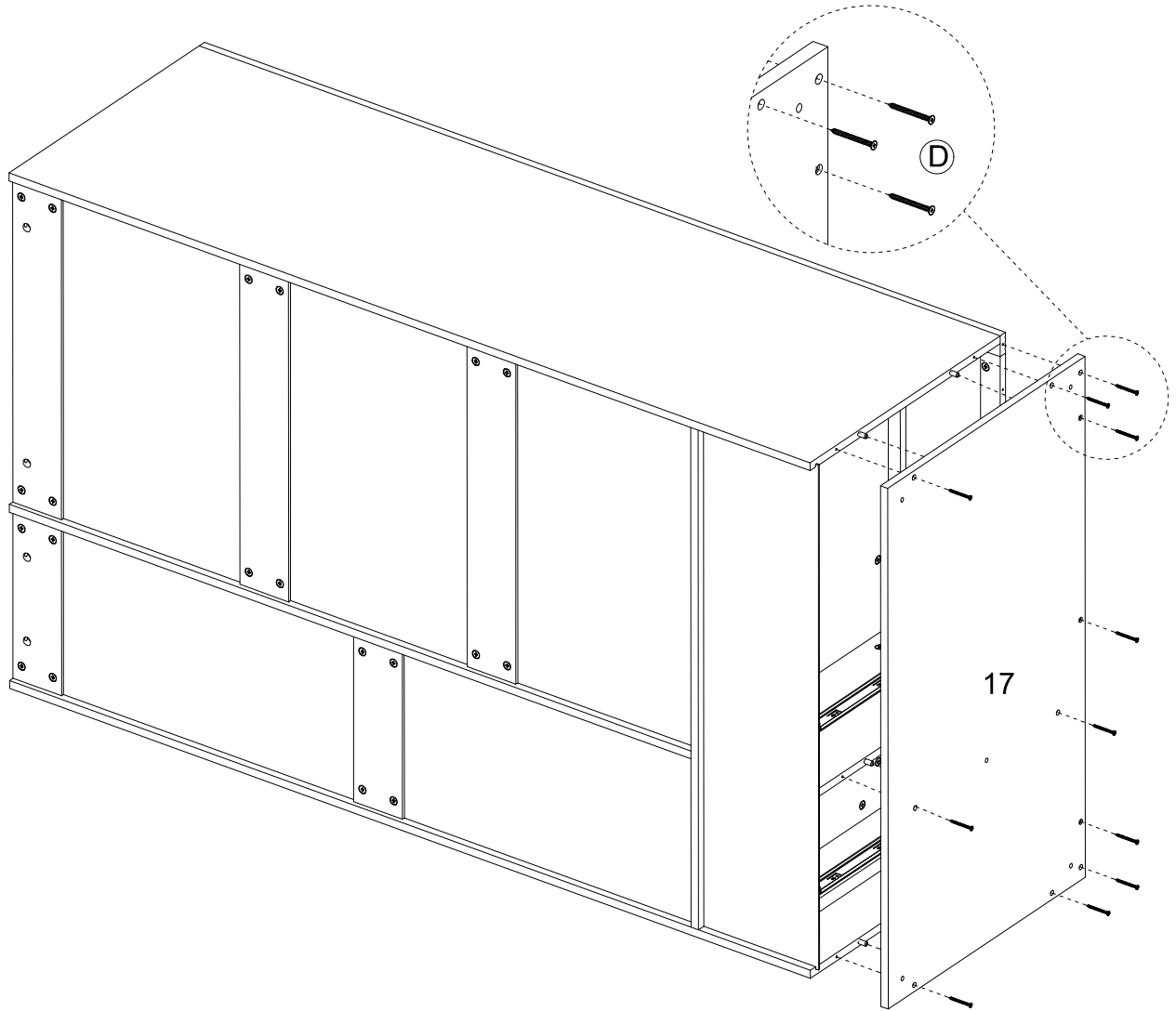


Step 24: Attach the Bottom Panel (17) to the Frame.

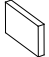
D

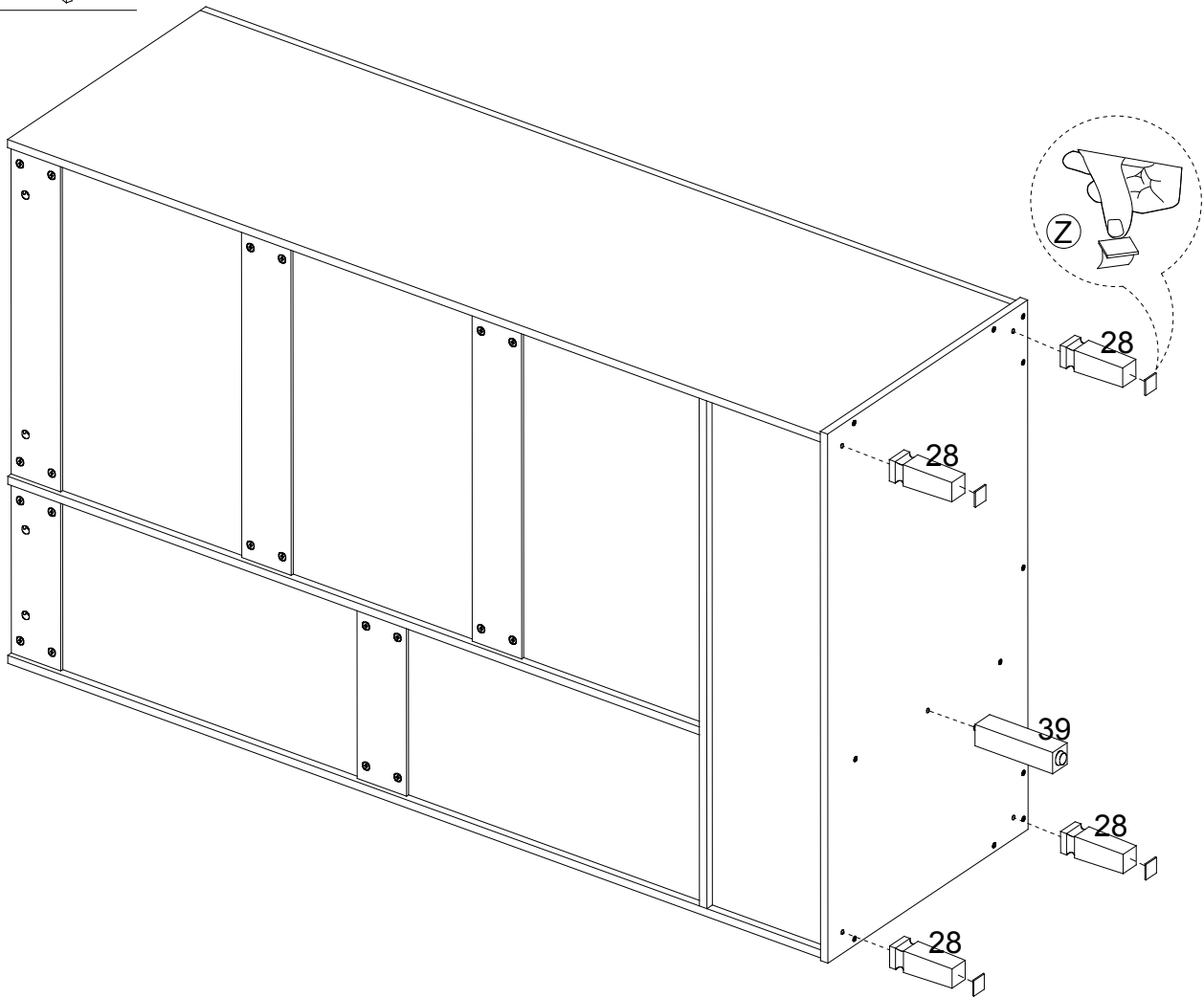


11pcs



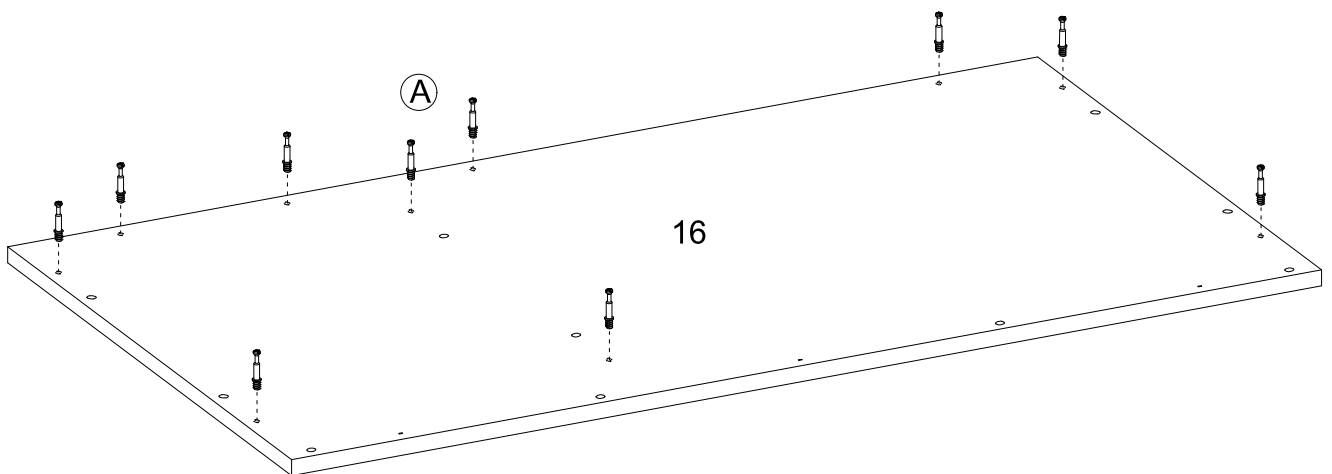
Step 25: Attach the Legs (28) and Centre Leg (39) to the Frame.

Z  4pcs







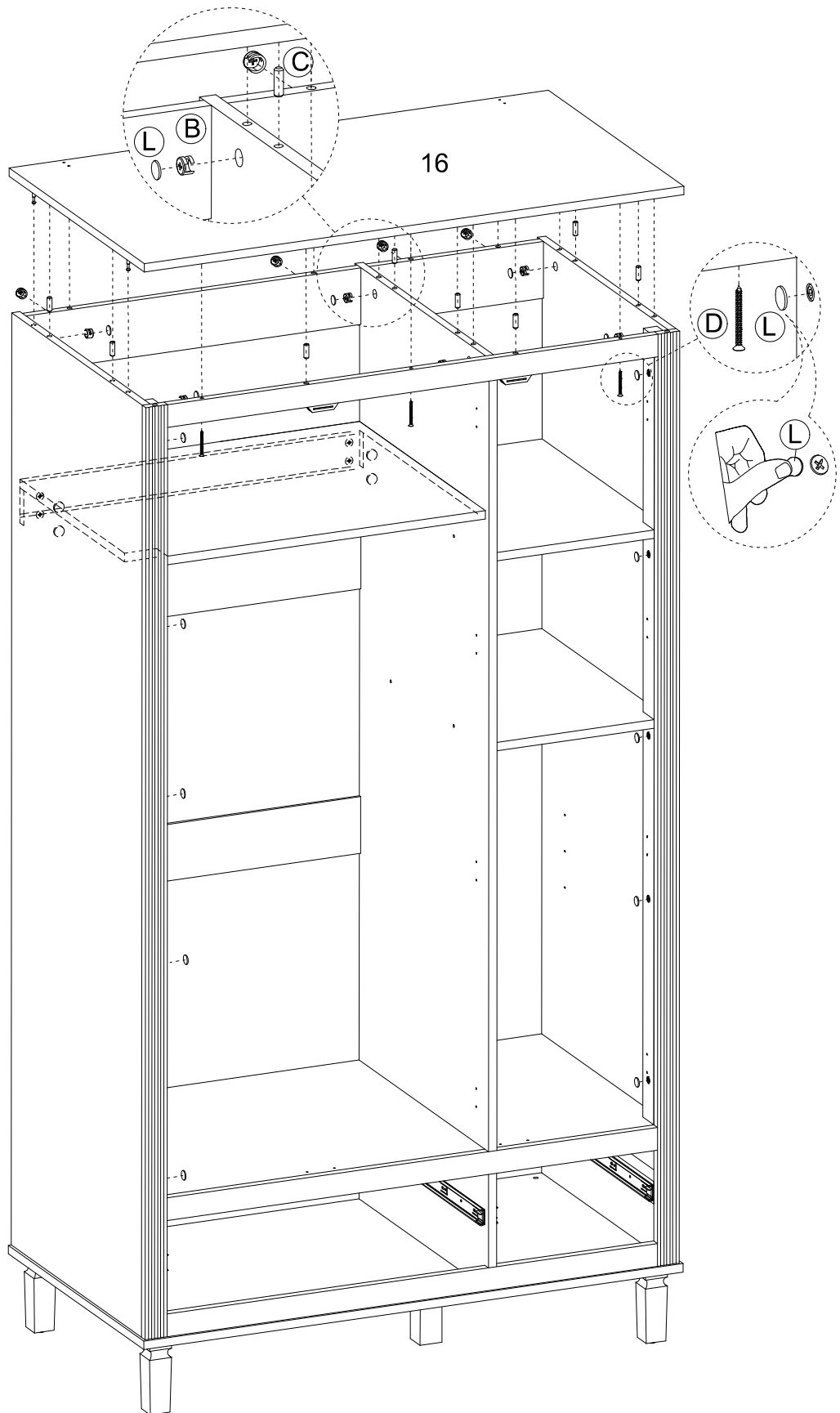
Step 26: Attach the Cam Bolt to the Top Panel (16) .

A  10pcs



Step 27: Attach the Top Panel (16) to the Frame.

- (B)**  10pcs
- (C)**  8pcs
- (D)**  3pcs
- (L)**  20pcs



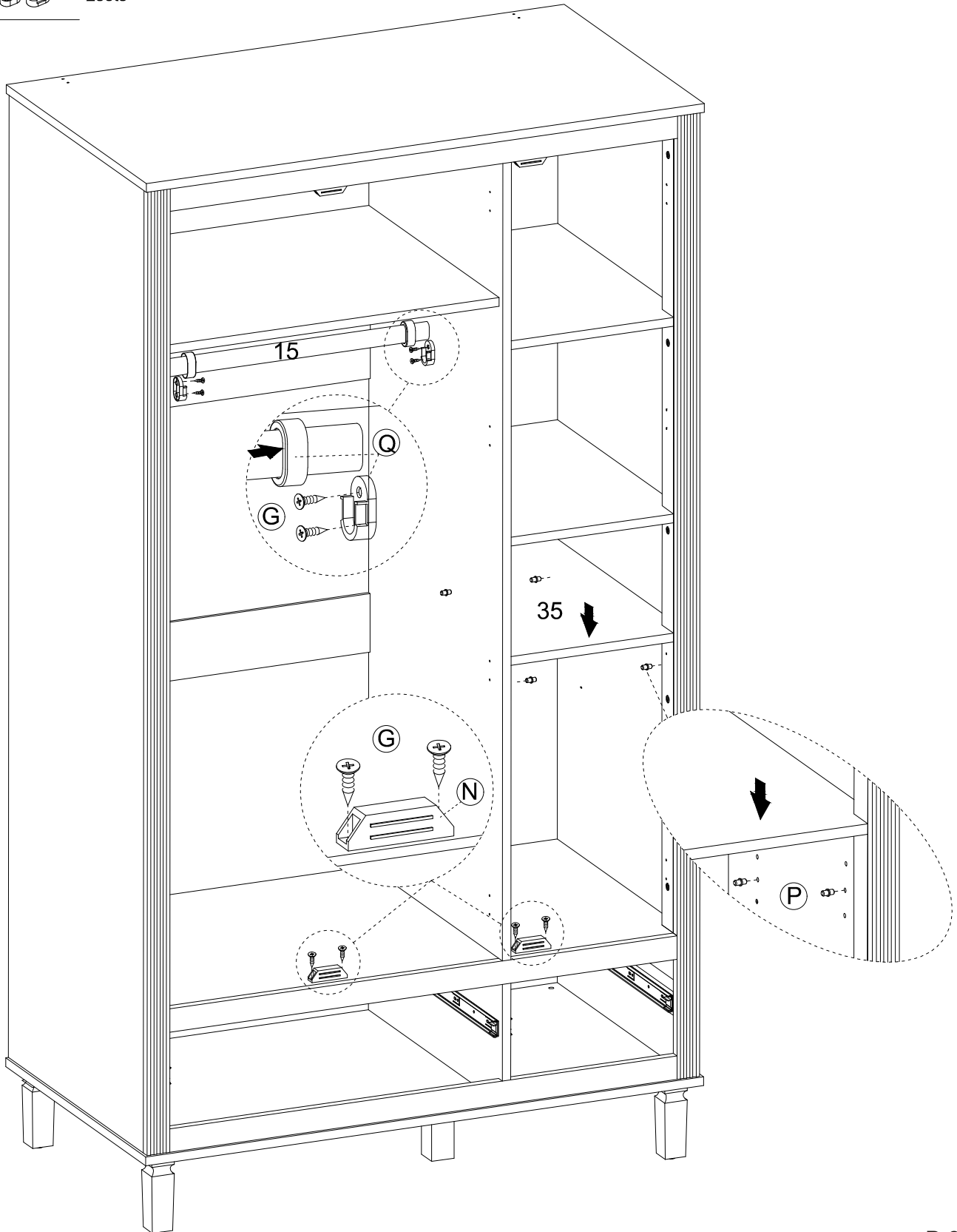
Step 28: Attach Hanging Bar (15), Right Lower Shelf Panel (35), Door Catch (N) to the Frame.

G  8pcs

N  2pcs

P  4pcs

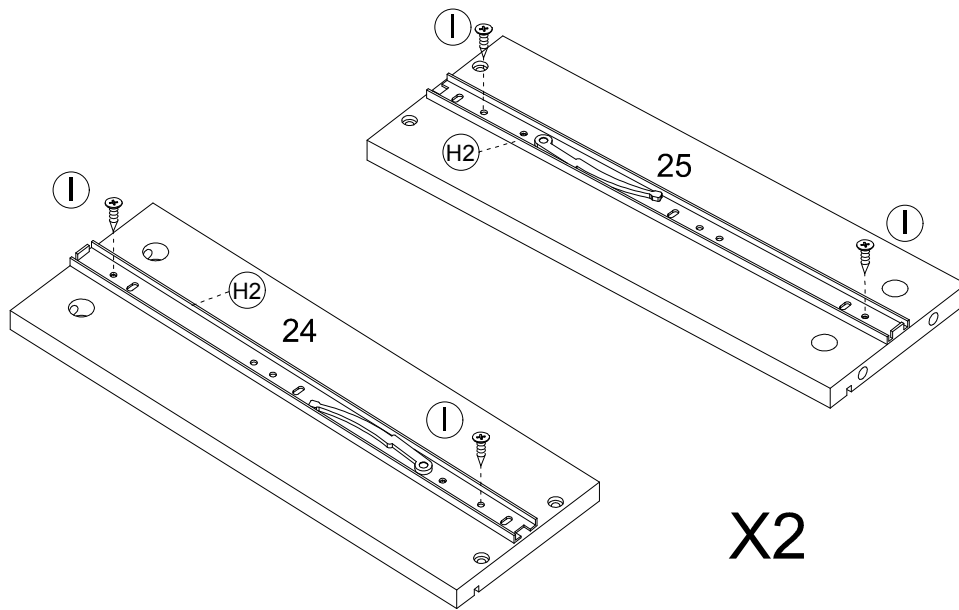
Q  2sets



Step 29: Attach the Slide Rail to the Drawer Left Side (24) and Drawer Right Side (25).

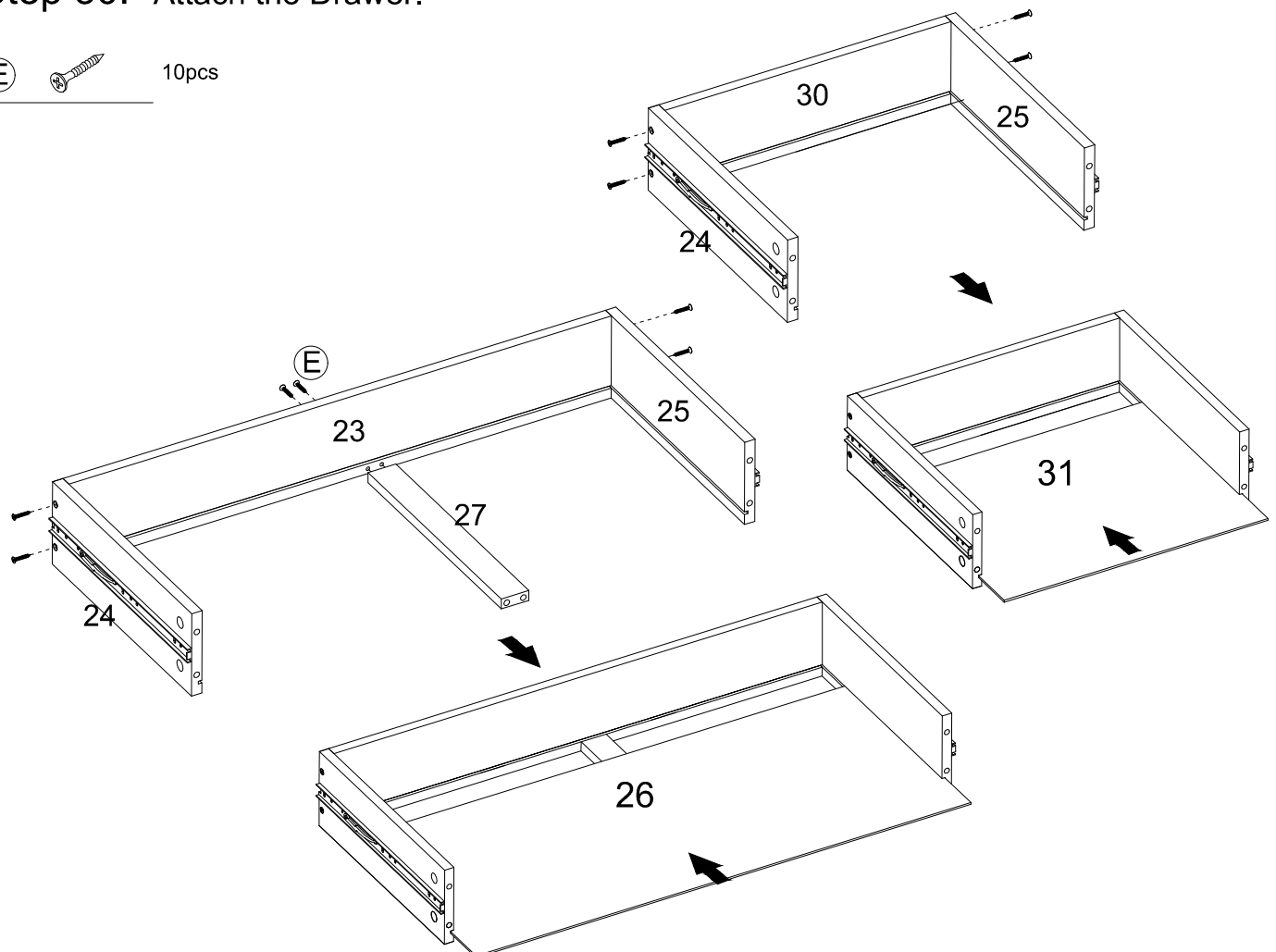
Ⓜ 4pcs

Ⓛ 8pcs

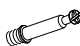




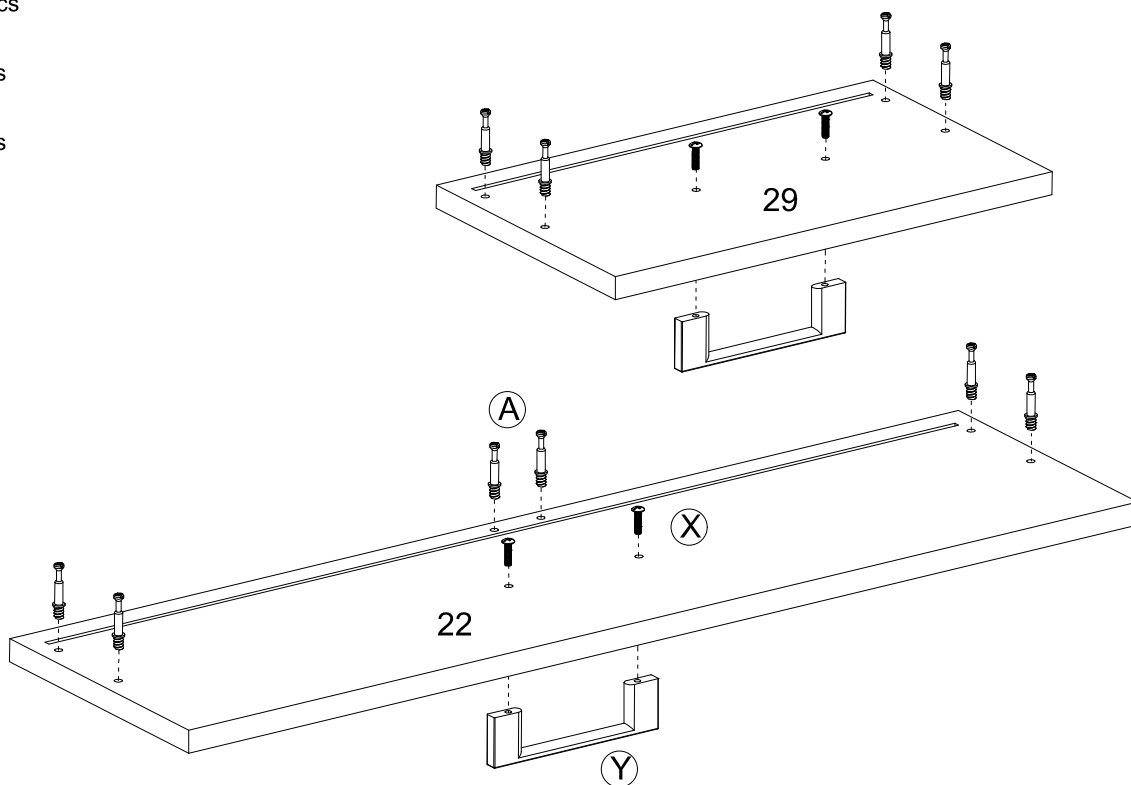
Step 30: Attach the Drawer.

ⓔ 10pcs





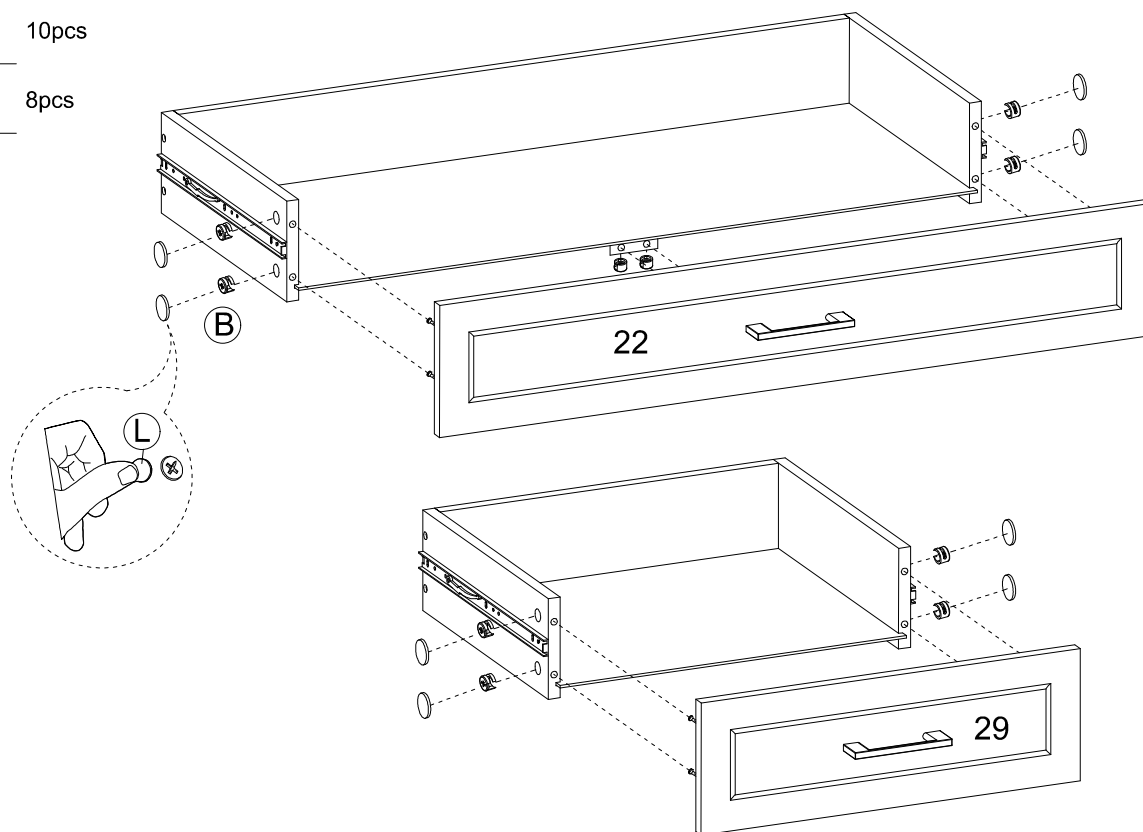
Step 31: Attach the Fittings and Handle to the Drawer Front (22).

- A  10pcs
- X  4pcs
- Y  2pcs



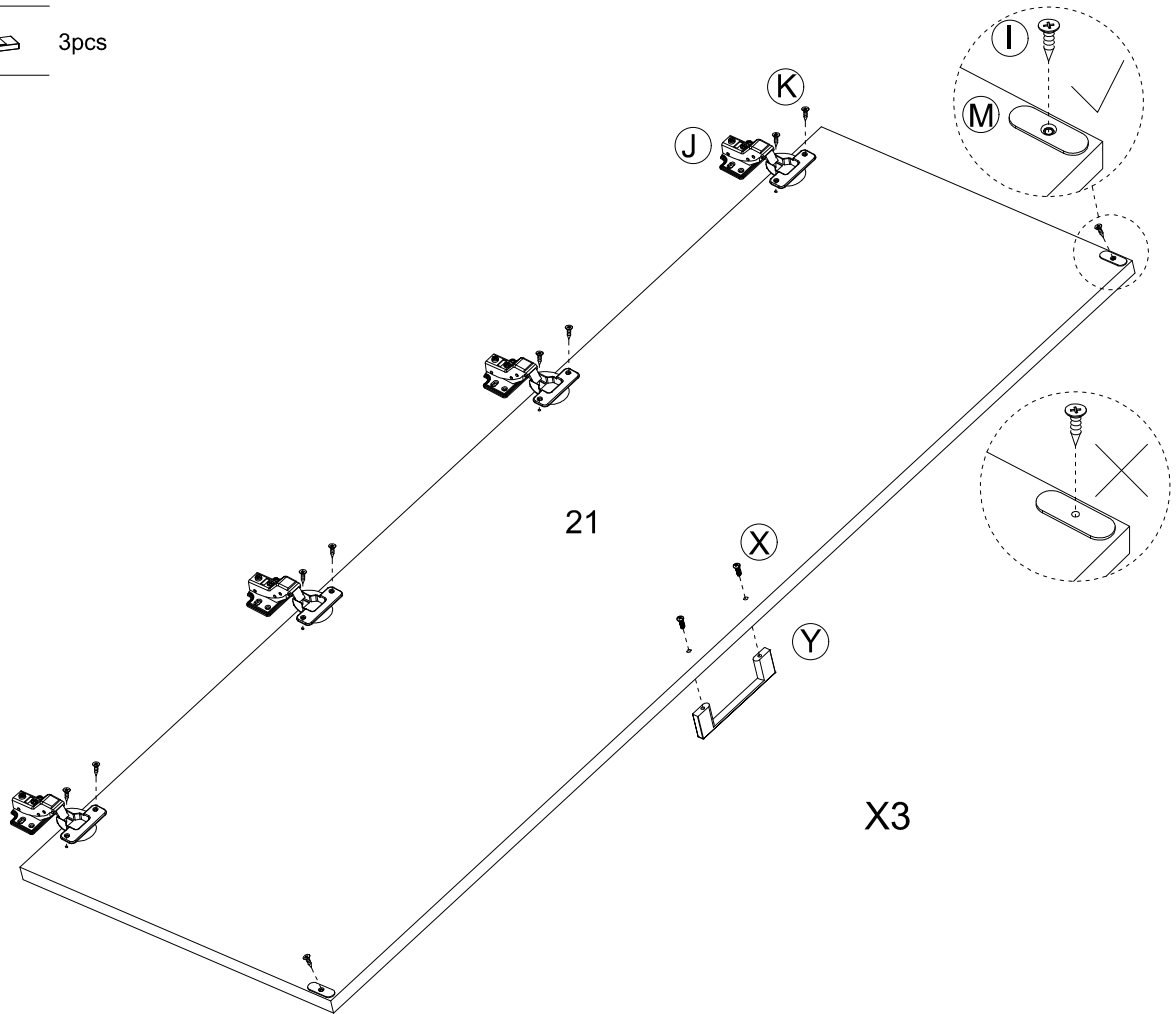
Step 32: Attach the Drawer Front (22) to the Frame.

- B  10pcs
- L  8pcs



Step 33: Attach the Hinges, Handle and Door Strike Plate to Door (21).

- ⓐ 6pcs
- ⓑ 12pcs
- ⓒ 24pcs
- ⓓ 6pcs
- ⓔ 6pcs
- ⓕ 3pcs

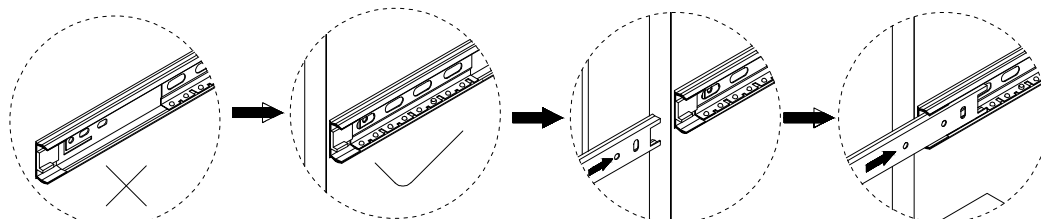
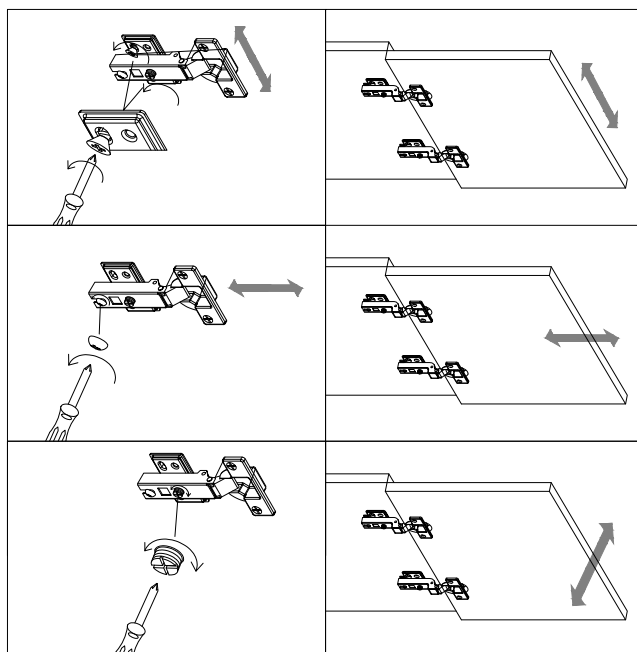
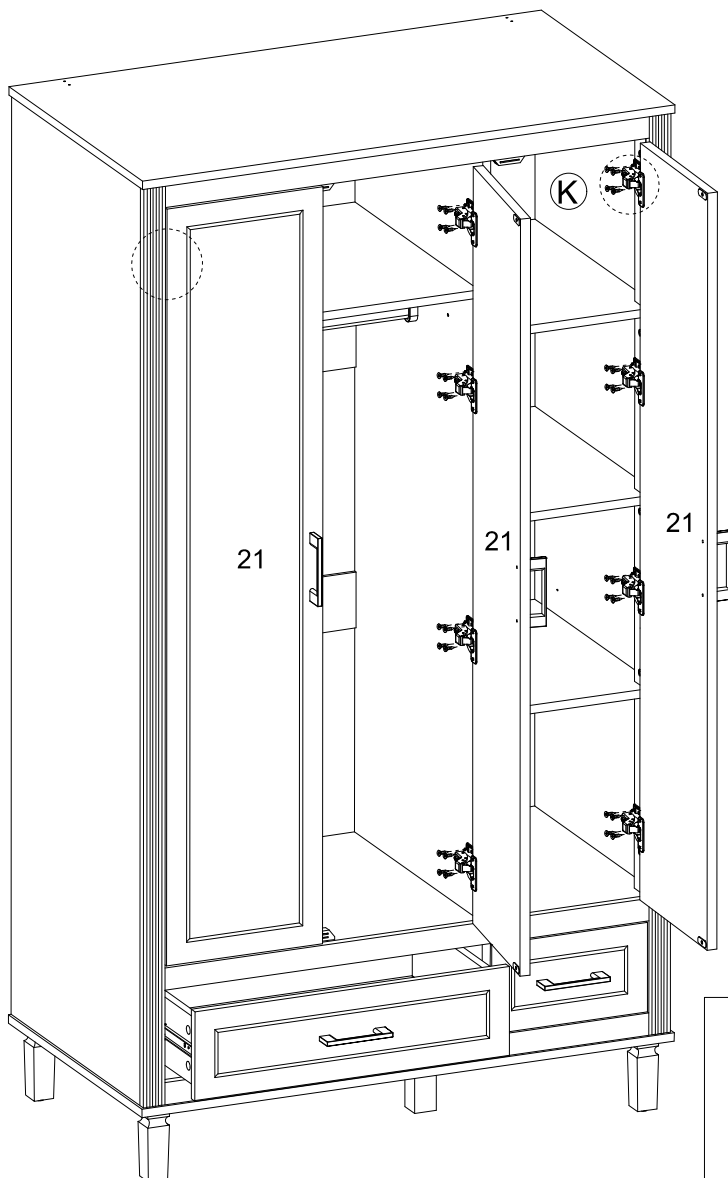


Step 34: Attach the Doors (21) to the Frame, Slide the drawer into the Frame.

(K)



48pcs



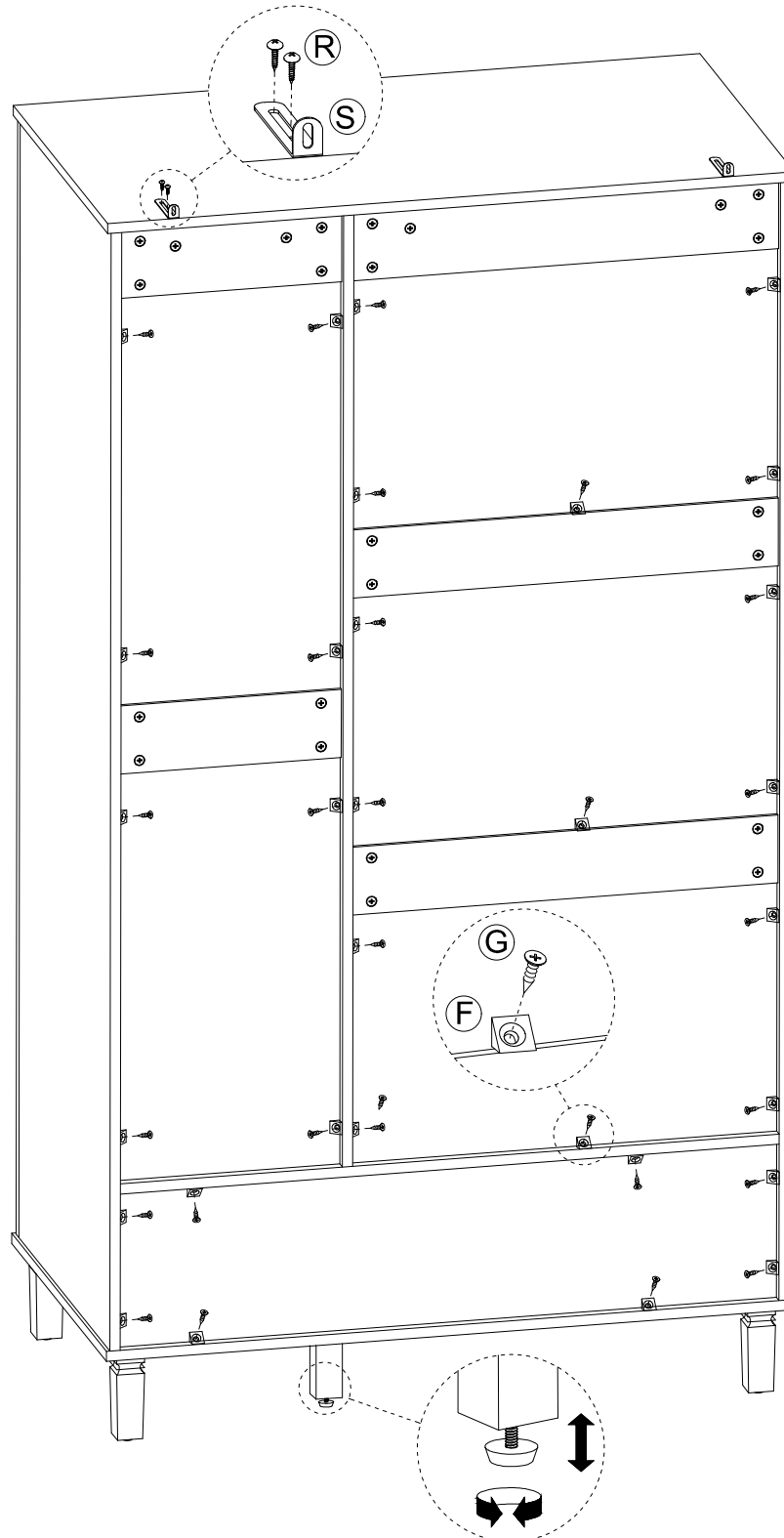
Step 35: Attach the plastic buckles and wall bracket. Before securing the plastic buckles, manually adjust the frame to ensure the drawer and doors are properly aligned, even, and parallel. Adjust the center leg if necessary.

(F)  31pcs

(G)  31pcs

(R)  4pcs

(S)  2pcs



Step 36: Fix the wall bracket to the wall by drilling holes, inserting wall anchors, and securing it with screws.

Ⓔ 2pcs

Ⓓ 2pcs

