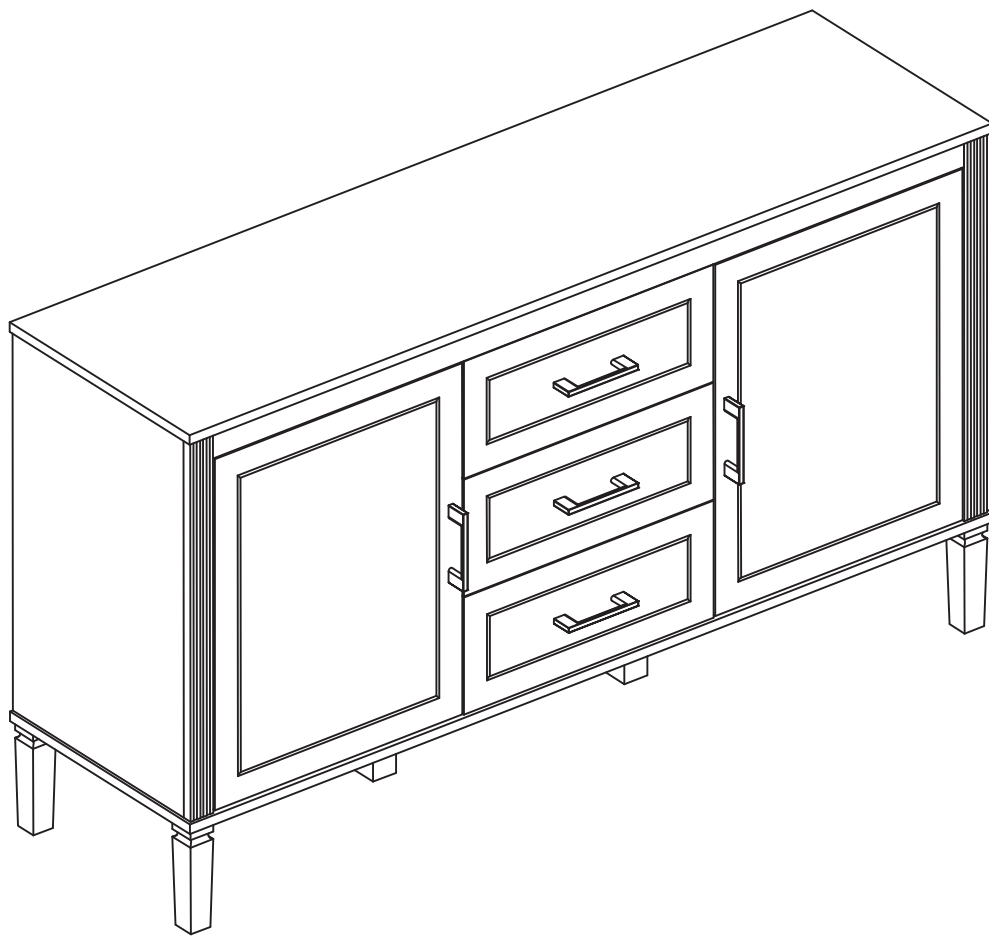
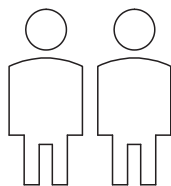


## 2 Door 3 Drawer Sideboard



Up to 1 hour  
assembly time



Two person  
assembly

This product is intended for domestic use only, not for commercial purposes.

# IMPORTANT

## ASSEMBLY TIP

Before you begin, it's best to identify all of the parts and fittings to build your sideboard frame. We advise laying these out on the floor to check you have everything, and to familiarise yourself with all of the parts and fittings before building.

## TOP TIP

We recommend that you assemble the sideboard in the room you'd like it to be located. This will help prevent any risk of damage to the frame whilst moving it.

## SAFETY AND CARE

1. It's important to ensure children and animals are kept away from the assembly area, as there are small components used in this product which could present a choking hazard. All plastic and wrapping materials should also be kept away from children and animals to prevent any risk of suffocation.
2. Do not stand on your product.
3. Always use the item on firm level ground, ensuring all legs remain in contact with the ground.
4. Place heaviest items in the lowest drawers.
5. Do not set TV or other heavy objects on top of the product.
6. Children should always be under supervision whilst using this product. Never allow children to climb on the drawers.
7. Never keep more than one drawer open at the same time.
8. In order to prevent overturning, this product must be used with the wall attachment device provided.
9. Serious or fatal crushing injuries can occur from tipping furniture.

## HELP AND SUPPORT

Please contact our customer service team on 0113 519 0311 if you have any questions or issues with your purchase.

## RECYCLING

Please ensure that packaging is disposed of in a safe and environmentally friendly way, and recycle where possible. Please keep your assembly instructions safe to refer back to in the future.

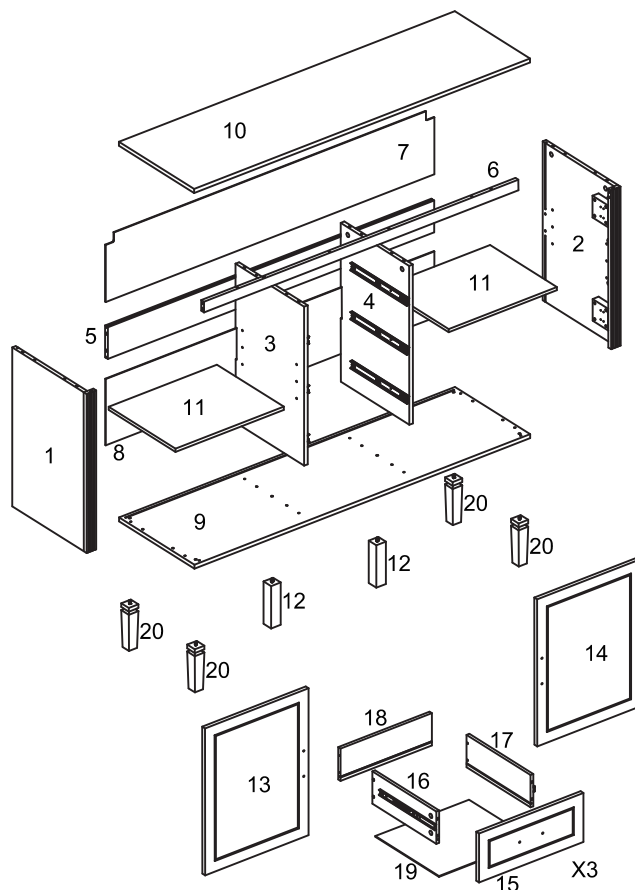
## CARE AND MAINTENANCE

1. Only clean using a damp cloth, do not use bleach or abrasive cleaners as they may damage the finish over time.
2. Do not use a very wet cloth or allow any liquid to contact with the surface for a long period of time. Wipe any spillage immediately. Absorption can cause wood to warp or finishes to de-laminate.
3. Do not scrub or rub the surface when cleaning.
4. Do not drag the sideboard when moving, lift it off the floor instead.
5. Use a placemat or a coaster when putting hot items (e.g. hot drinks and dishes) on the wood surface.
6. It is not recommended to place the item next to sources of heat such as radiators, fires or directly exposed to sunlight. This may cause the wood to crack, split or fade due to the heat and humidity.
7. Wood will mellow and change colour over time, we recommend that ornaments and items placed on the surface to be moved regularly to prevent uneven mellowing.
8. Regularly check all fixings to ensure none have come loose. Re-tighten if necessary.
9. Avoid sharp items such as a screwdriver or any pointy tools.

# Parts list

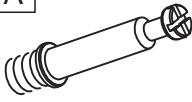



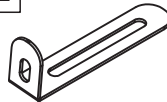
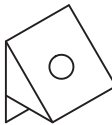


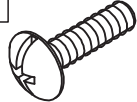
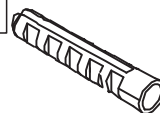





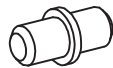
Before you begin building your sideboard, please take a moment to read through the instructions and make sure that you have all the relevant parts listed on the parts check list.

| Part Number | Part Description   | Quantity |
|-------------|--------------------|----------|
| 1           | Left Side Panel    | 1 pc     |
| 2           | Right Side Panel   | 1 pc     |
| 3           | Left Middle Panel  | 1 pc     |
| 4           | Right Middle Panel | 1 pc     |
| 5           | Back Support Bar   | 1 pc     |
| 6           | Front Support Bar  | 1 pc     |
| 7           | Upper Back Panel   | 1 pc     |
| 8           | Lower Back Panel   | 1 pc     |
| 9           | Bottom Panel       | 1 pc     |
| 10          | Top Panel          | 1 pc     |
| 11          | Shelf Panel        | 2 pcs    |
| 12          | Centre Leg         | 2 pcs    |
| 13          | Left Door          | 1 pc     |
| 14          | Right Door         | 1 pc     |
| 15          | Drawer Front       | 3 pcs    |
| 16          | Drawer Left Side   | 3 pcs    |
| 17          | Drawer Right Side  | 3 pcs    |
| 18          | Drawer Back Side   | 3 pcs    |
| 19          | Drawer Bottom      | 3 pcs    |
| 20          | Leg                | 4 pcs    |

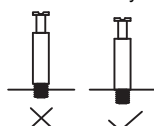


## Fittings

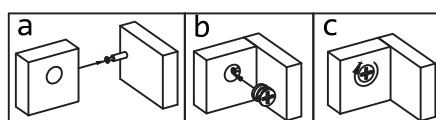
Please check you have all the fittings listed below with your product.

|   |   |  |  |  |  |
|---|---|--|--|--|--|
| <b>A</b><br><br>M6*35mm Cam Lock Screw<br>28pcs+3pcs extra | <b>B</b><br><br>Ø15*9mm Cam Lock<br>28pcs+3pcs extra | <b>C</b><br><br>Ø6*30mm Dowel<br>20pcs+2pcs extra | <b>D</b><br><br>M4*35mm Screw<br>16pcs+2pcs extra | <b>E</b><br><br>Wall Bracket<br>2pcs  | <b>F</b><br><br>Plastic Buckle<br>12pcs+1pc extra |
| <b>G</b><br><br>M3.5*14mm Screw<br>12pcs+1pc extra         | <b>H</b><br><br>Handle<br>5pcs                       | <b>I</b><br><br>M4*20mm Bolt<br>10pcs+1pc extra   | <b>J</b><br><br>Wall Anchor<br>2pcs               | <b>K</b><br><br>M4*14mm Screw<br>4pcs | <b>L</b><br><br>M4*45mm Screw<br>14pcs+1pc extra  |
| <b>M</b><br><br>Cover<br>28pcs+4pcs extra                  | <b>N</b><br><br>M3.5*12mm Screw<br>24pcs+3pcs extra  | <b>O</b><br><br>Hinge<br>4pcs                     | <b>P</b><br><br>Shelf Support<br>8pcs+1pc extra   |  |  |

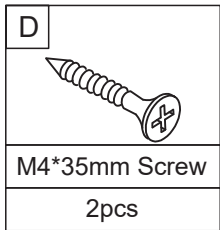
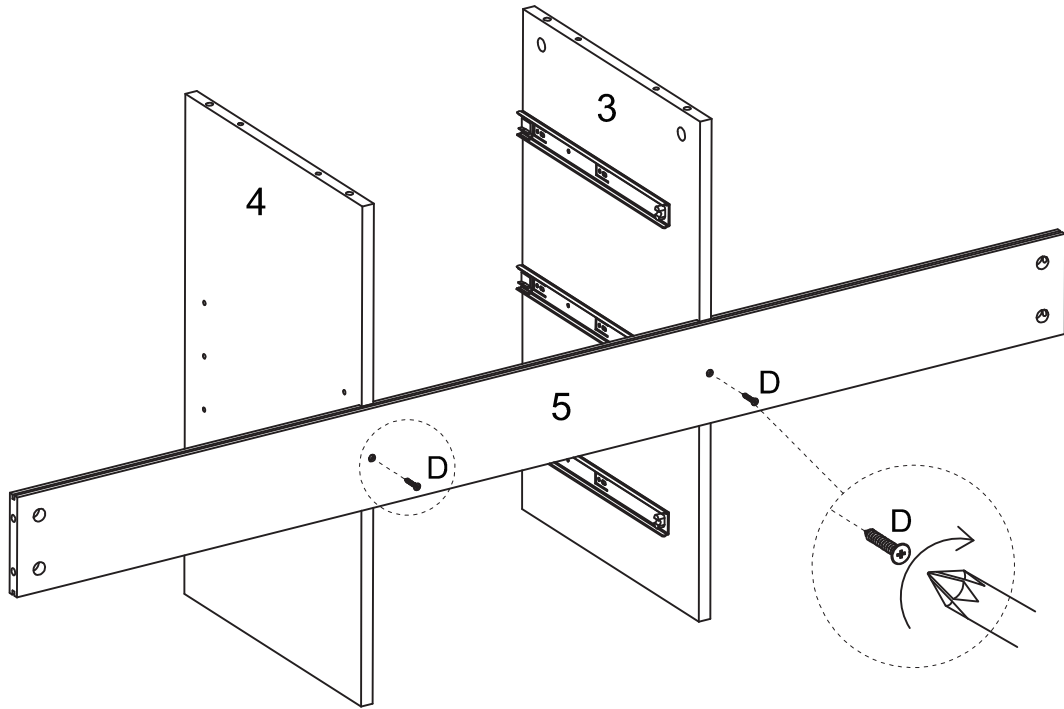
Ensure the cam lock screws are installed correctly, as indicated by the "check mark" below.



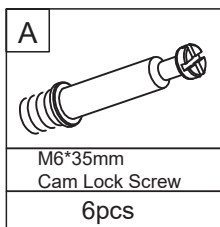
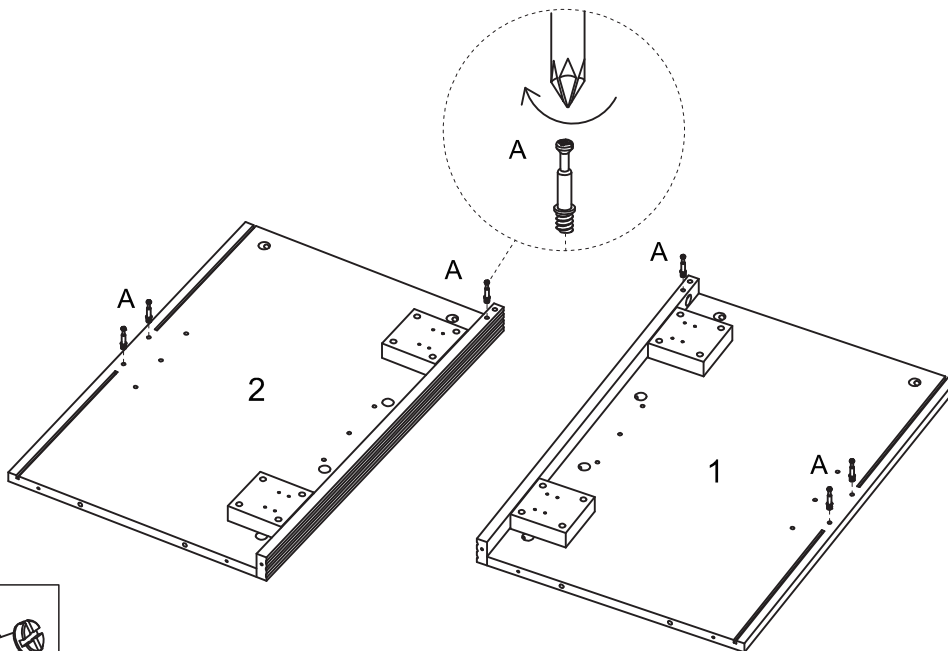
Refer to the illustration below to correctly use the cam lock screws for assembling the panels.



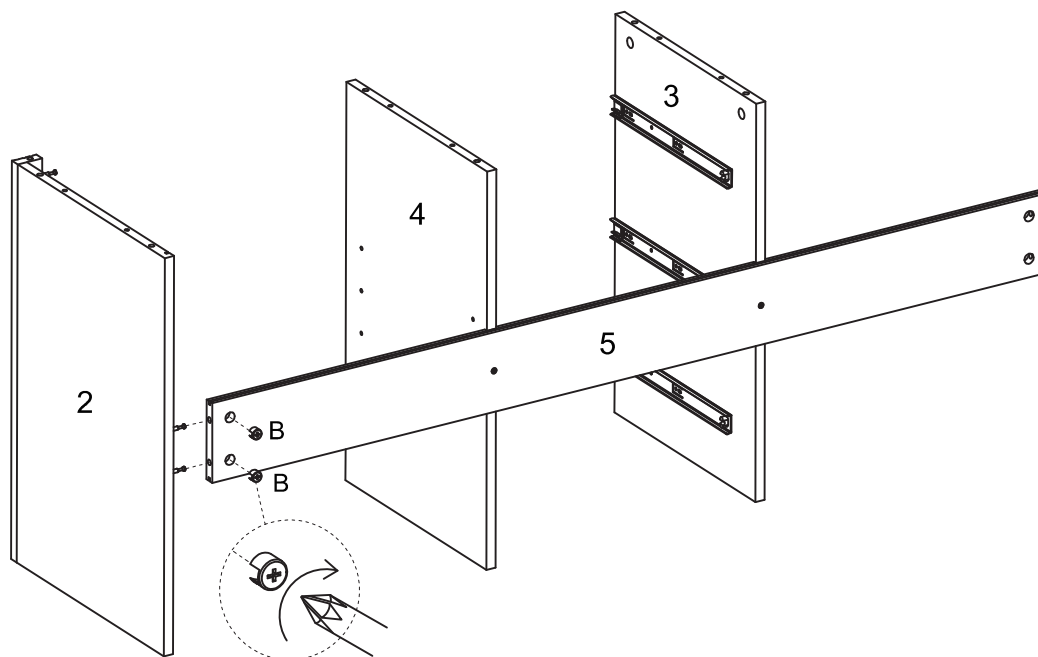
1. Attach Back Support Bar (5) to Left Middle Panel (3) and Right Middle Panel (4).




2. Attach Cam Lock Screws to Left Side Panel (1) and Right Side Panel (2).

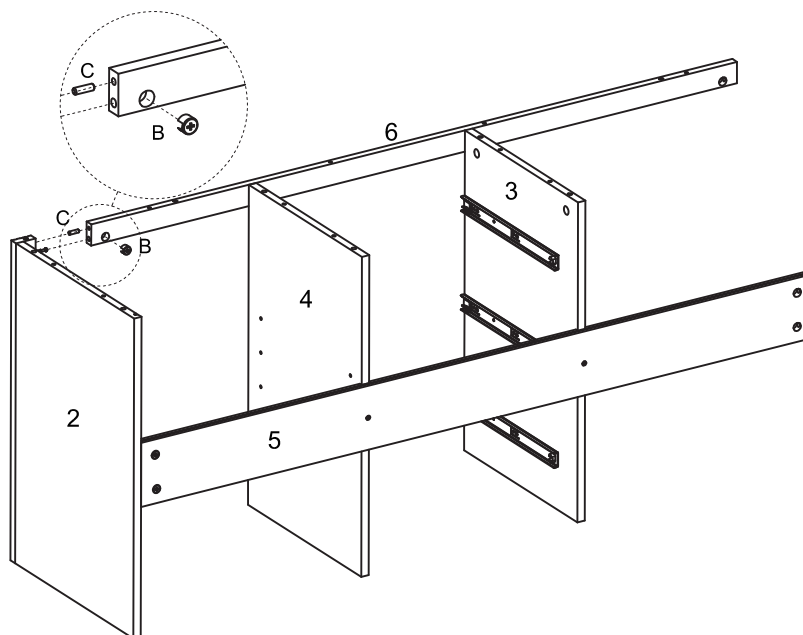



### 3. Attach Right Side Panel (2) to Back Support Bar (5).




|                  |  |
|------------------|--|
| B                |  |
| Ø15*9mm Cam Lock |  |
| 2pcs             |  |

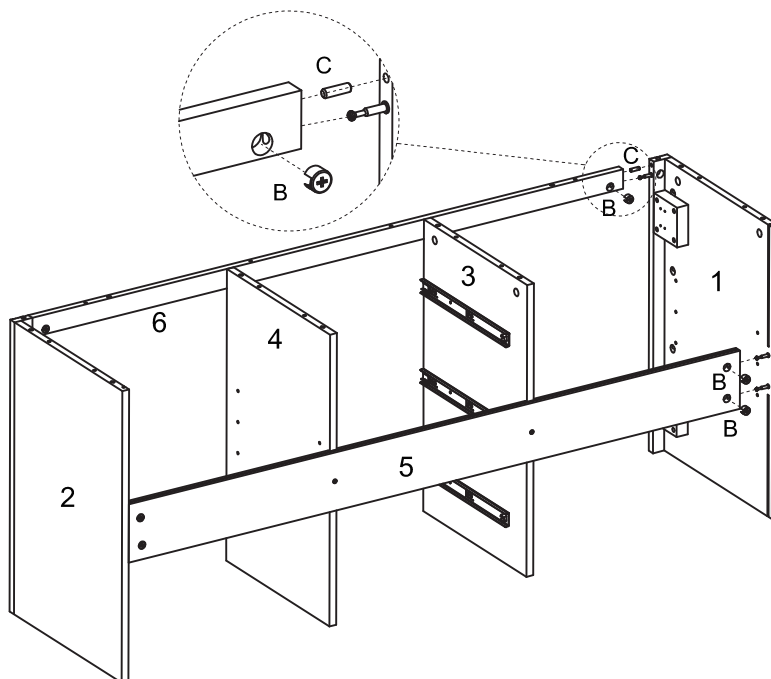
### 4. Attach Front Support Bar (6) to Right Side Panel (2).





|                  |   |
|------------------|---|
| B                |  |
| Ø15*9mm Cam Lock |   |
| 1pc              |   |

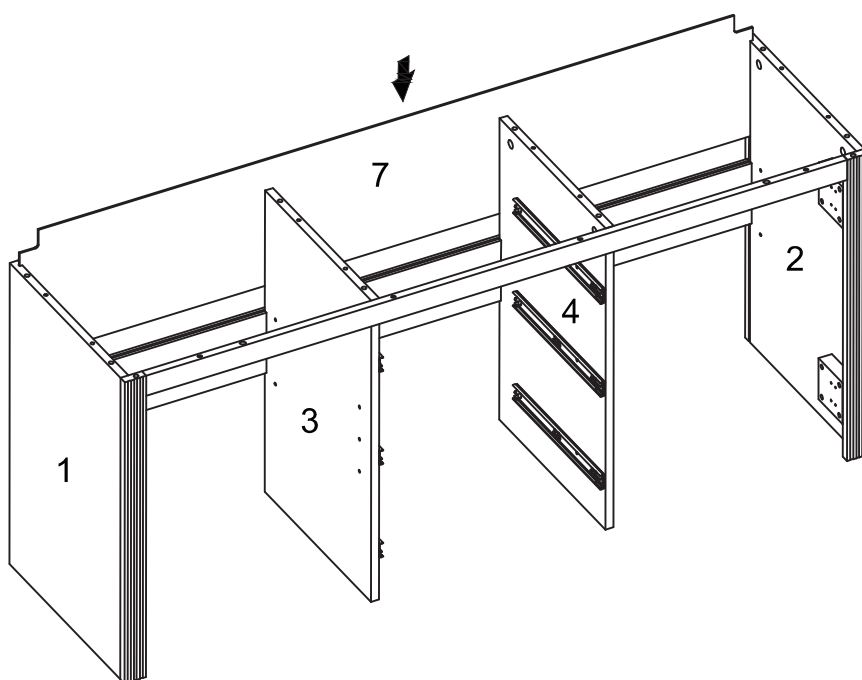
|               |   |
|---------------|---|
| C             |  |
| Ø6*30mm Dowel |   |
| 1pc           |   |

### 5. Attach Left Side Panel (1) to the Frame.

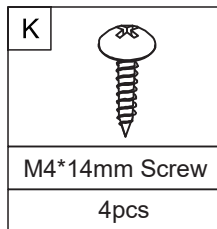
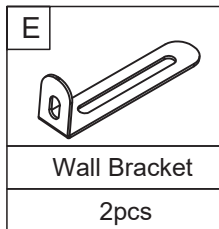
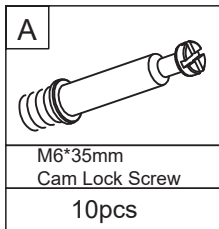
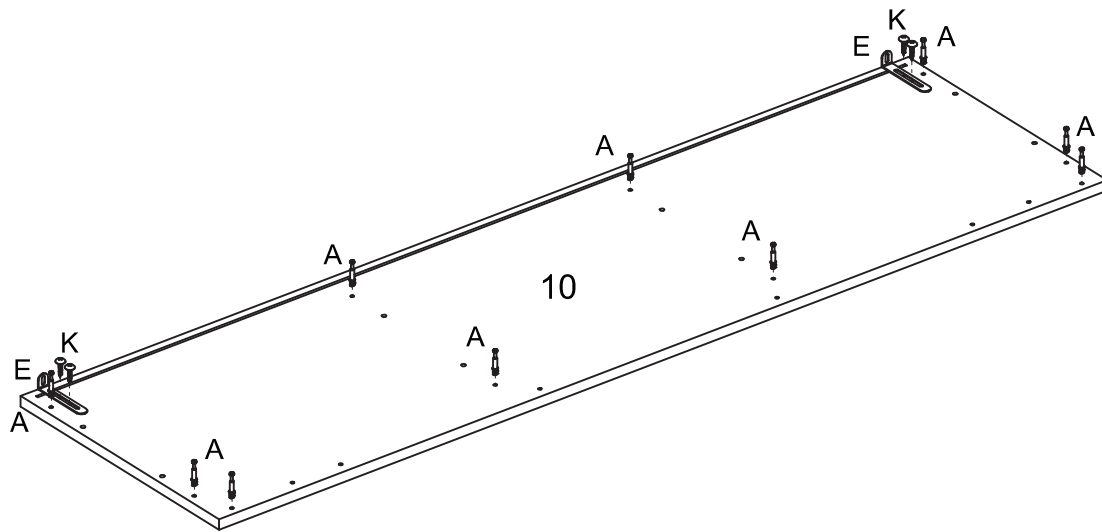


|   |   |
|---|---|
| <b>B</b>  | <b>C</b>  |
|  |  |
| Ø15*9mm Cam Lock  | Ø6*30mm Dowel   |
| 3pcs  | 1pc   |

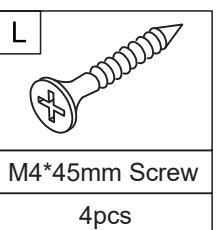
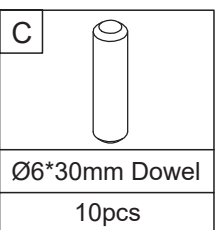
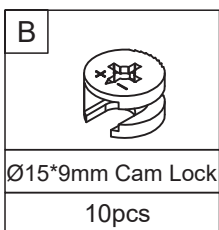
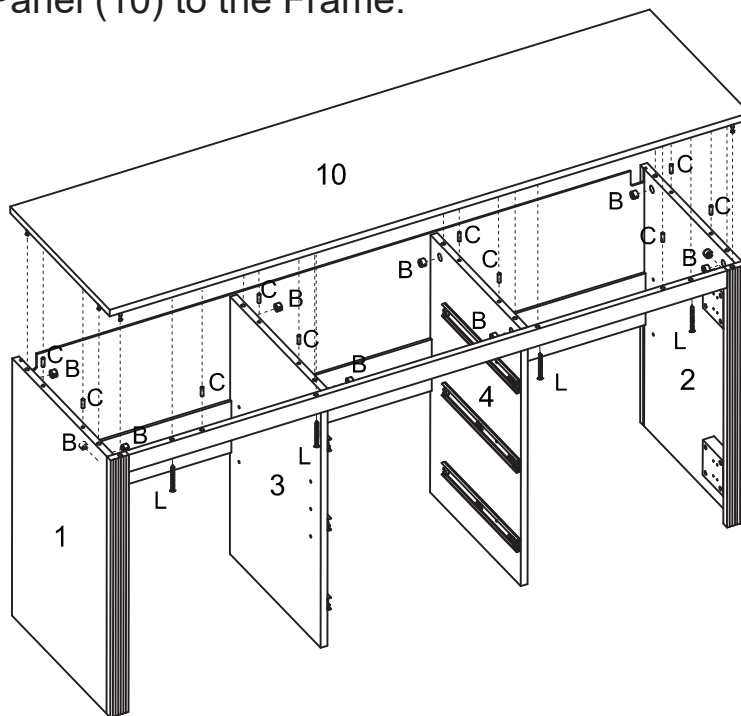
### 6. Insert the Upper Back Panel (7) to the Frame.



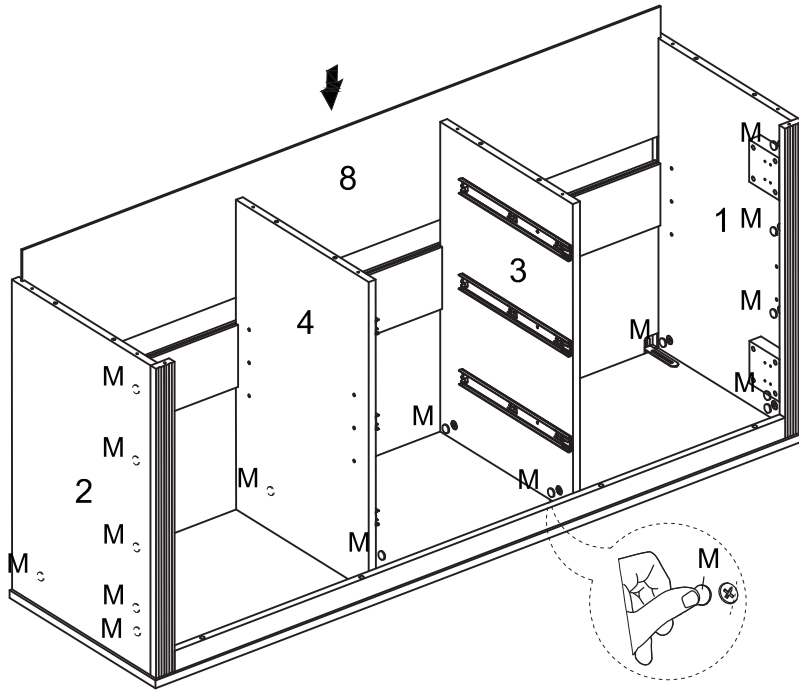
## 7. Attach Cam Lock Screws and Wall Brackets to the Frame.




## 8. Attach Top Panel (10) to the Frame.

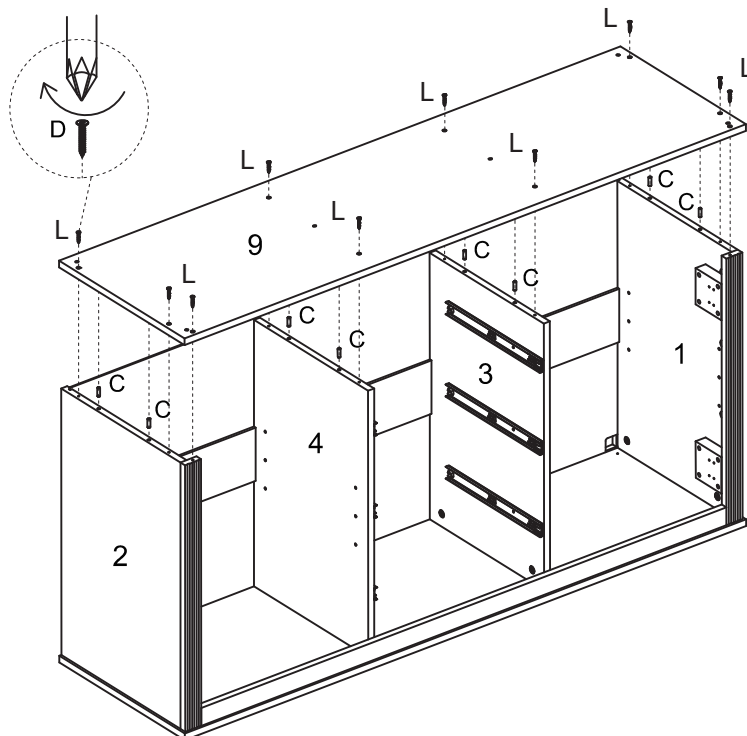


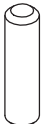
9. Slide the Lower Back Panel (8) to the Frame.




|       |   |
|-------|---|
| M     |  |
| Cover |   |
| 16pcs |   |

10. Attach the Bottom Panel (9) to the Frame.

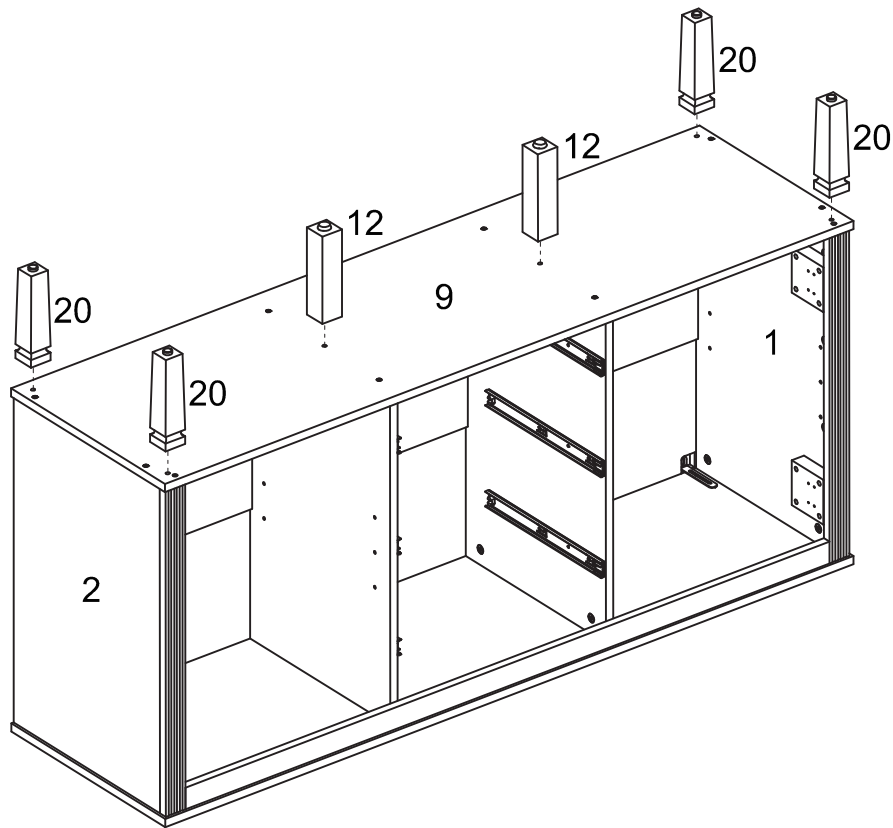


|               |   |
|---------------|---|
| C             |  |
| Ø6*30mm Dowel |   |
| 8pcs          |   |

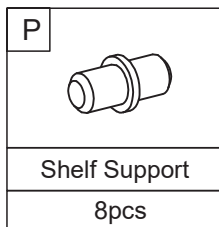
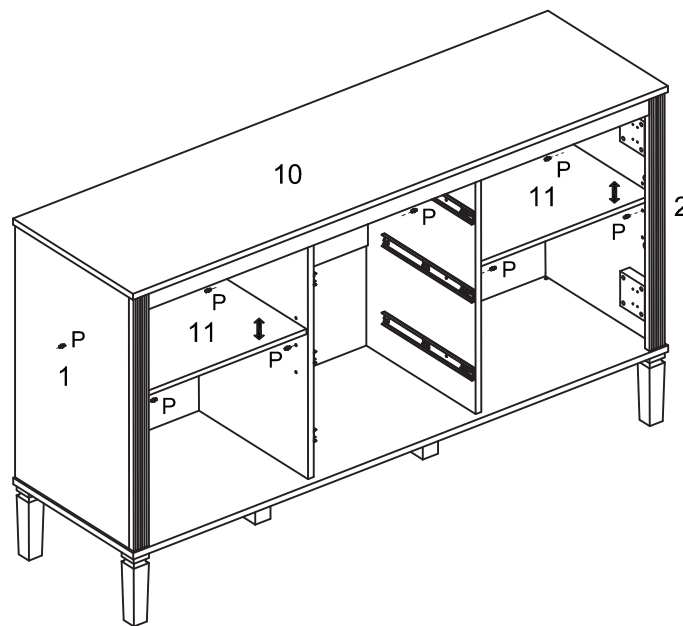
|               |   |
|---------------|---|
| L             |  |
| M4*45mm Screw |   |
| 10pcs         |   |



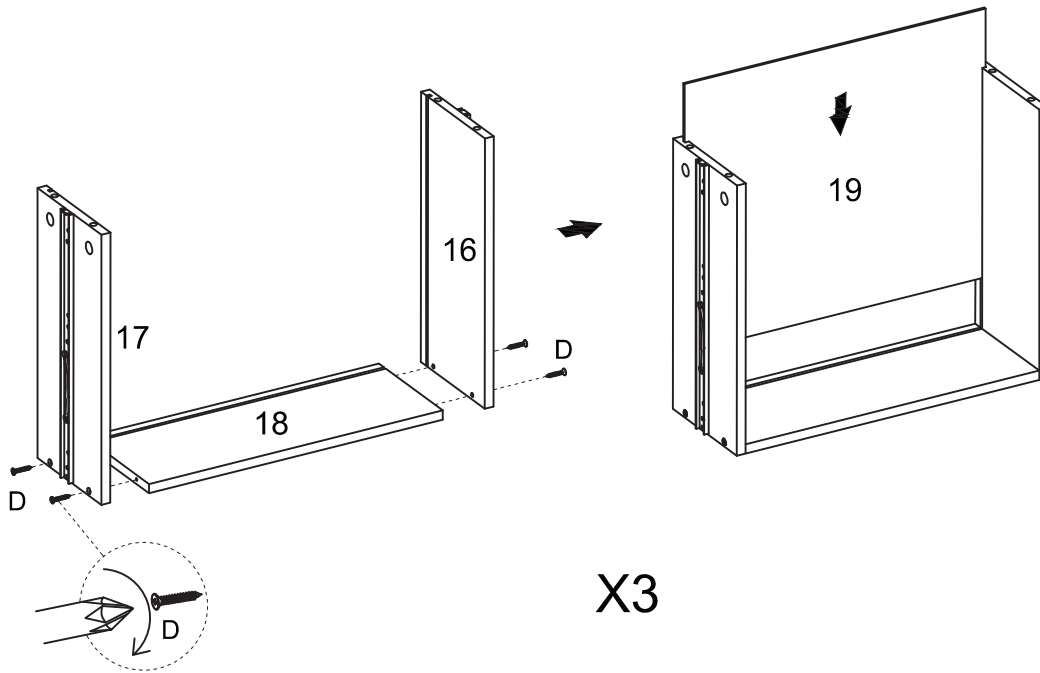
11. Attach the Legs (20) and Centre Legs (12) to the Frame.




12. Attach the Shelf Support and put the Shelf Panels into the Frame.



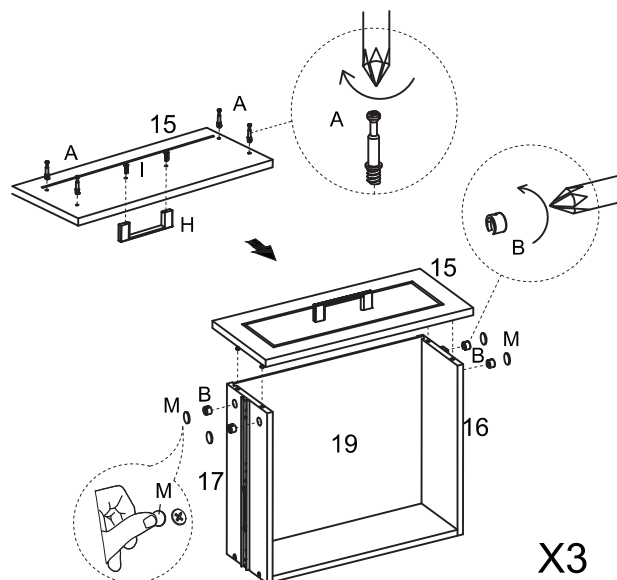
13. Assemble the drawer by following the steps shown in the illustration below.



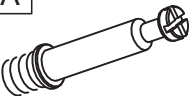
X3


|  |
|--|
| D  |
|  |
| M4*35mm Screw  |
| 12pcs  |


14. Align and attach the handle to the Drawer Front (15), then secure the Drawer Front (15) to the frame.

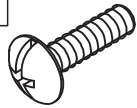



X3

|   |
|---|
| A   |
|  |
| M6*35mm<br>Cam Lock Screw   |
| 12pcs   |

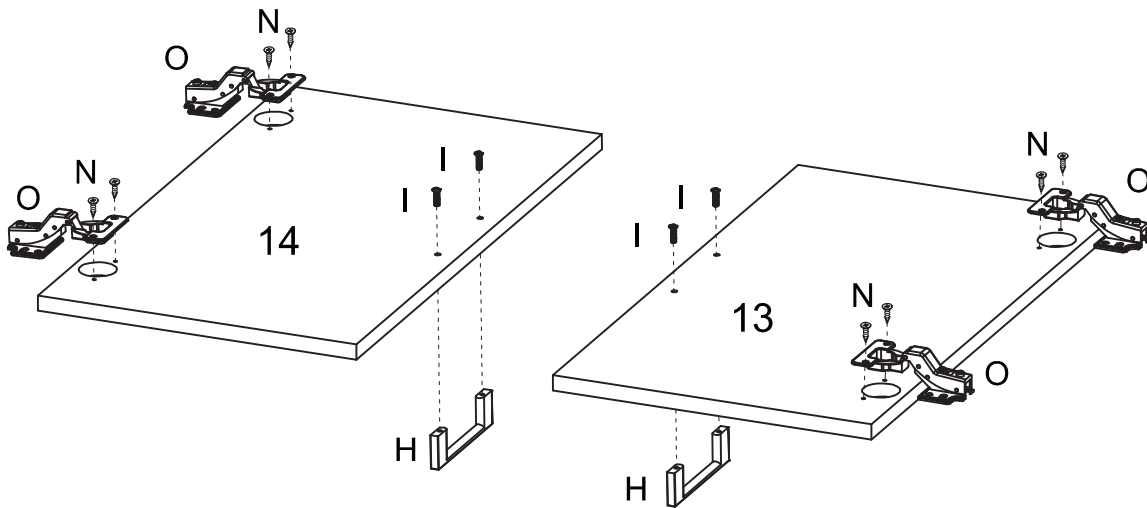
|   |
|---|
| B   |
|  |
| Ø15*9mm Cam Lock  |
| 12pcs   |





|   |
|---|
| H   |
|  |
| Handle  |
| 3pcs  |

|   |
|---|
| I   |
|  |
| M4*20mm Bolt  |
| 6pcs  |

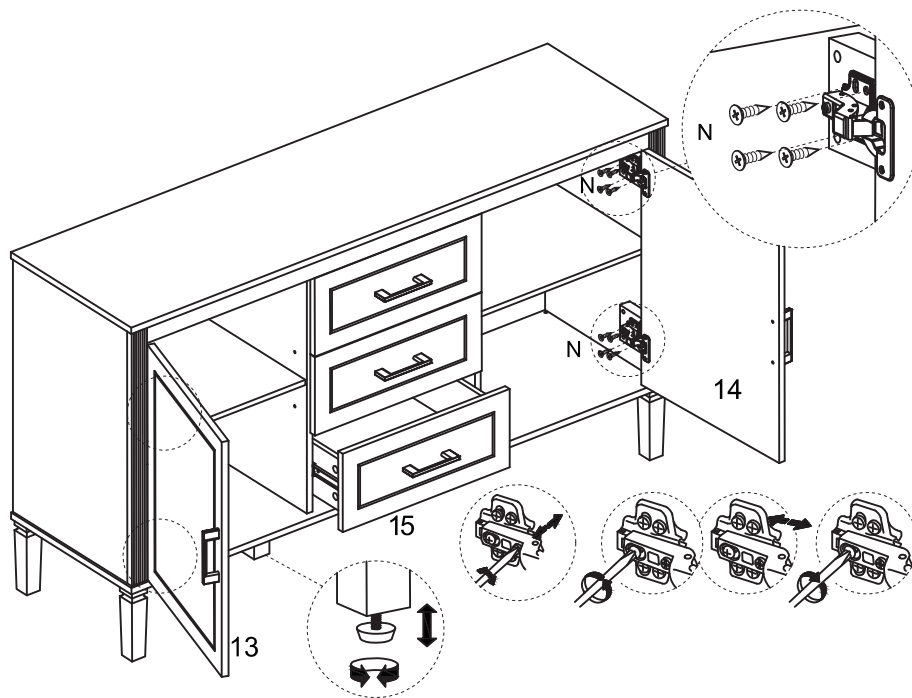
|   |
|---|
| M   |
|  |
| Cover   |
| 12pcs   |


15. Attach the Hinges and Handle to the Door (13,14).



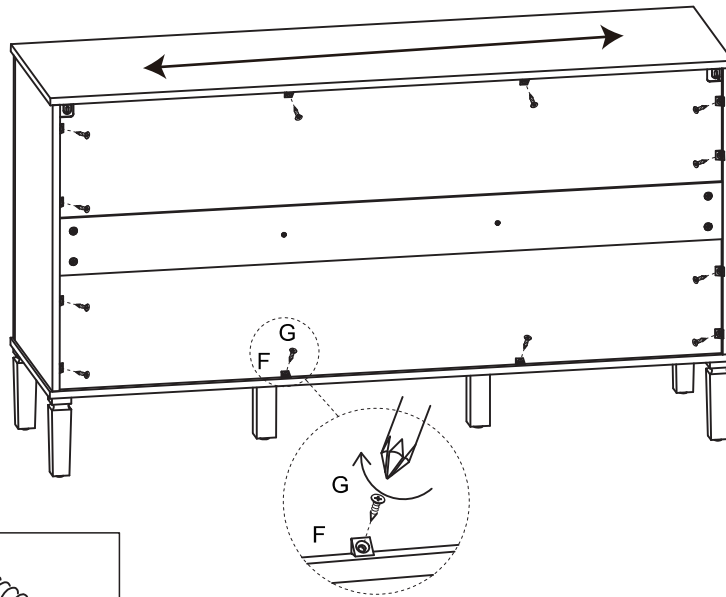
|   |   |   |   |
|---|---|---|---|
|  |  |  |  |
| Handle<br>2pcs  | M4*20mm Bolt<br>4pcs  | M3.5*12mm Screw<br>8pcs   | Hinge<br>4pcs   |

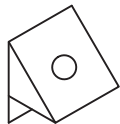

16. Attach the Doors (13,14) to the Frame. Slide the drawers into the Frame. The Centre Leg is adjustable if necessary.



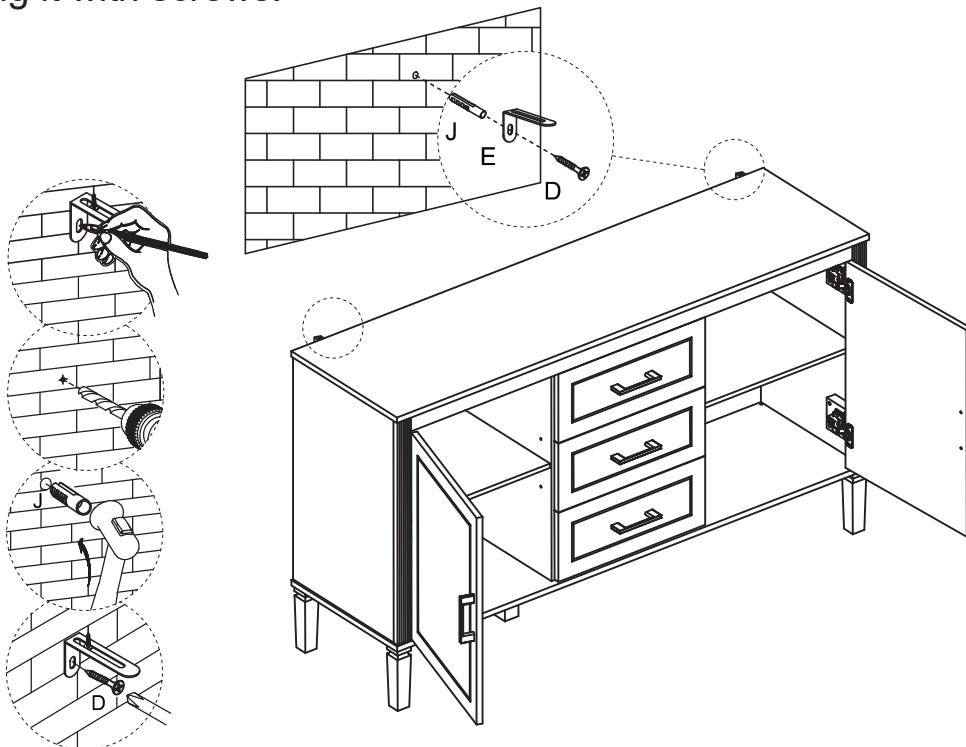
|   |
|---|
|  |
| M3.5*12mm Screw<br>16pcs  |

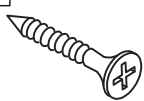
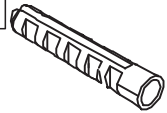
17. Attach the plastic buckles on back. Before securing them, manually adjust the frame to ensure the drawers are properly aligned, even, and parallel.



|   |   |
|---|---|
| <p><b>F</b></p>  | <p><b>G</b></p>  |
| <p>Plastic Buckle<br/>12pcs</p>   | <p>M3.5*14mm Screw<br/>12pcs</p>  |

18. Fix the wall bracket to the wall by drilling holes, inserting wall anchors, and securing it with screws.



|   |   |
|---|---|
| <p><b>D</b></p>  | <p><b>J</b></p>  |
| <p>M4*35mm Screw<br/>2pcs</p>   | <p>Wall Anchor<br/>2pcs</p>   |