

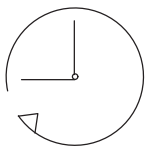
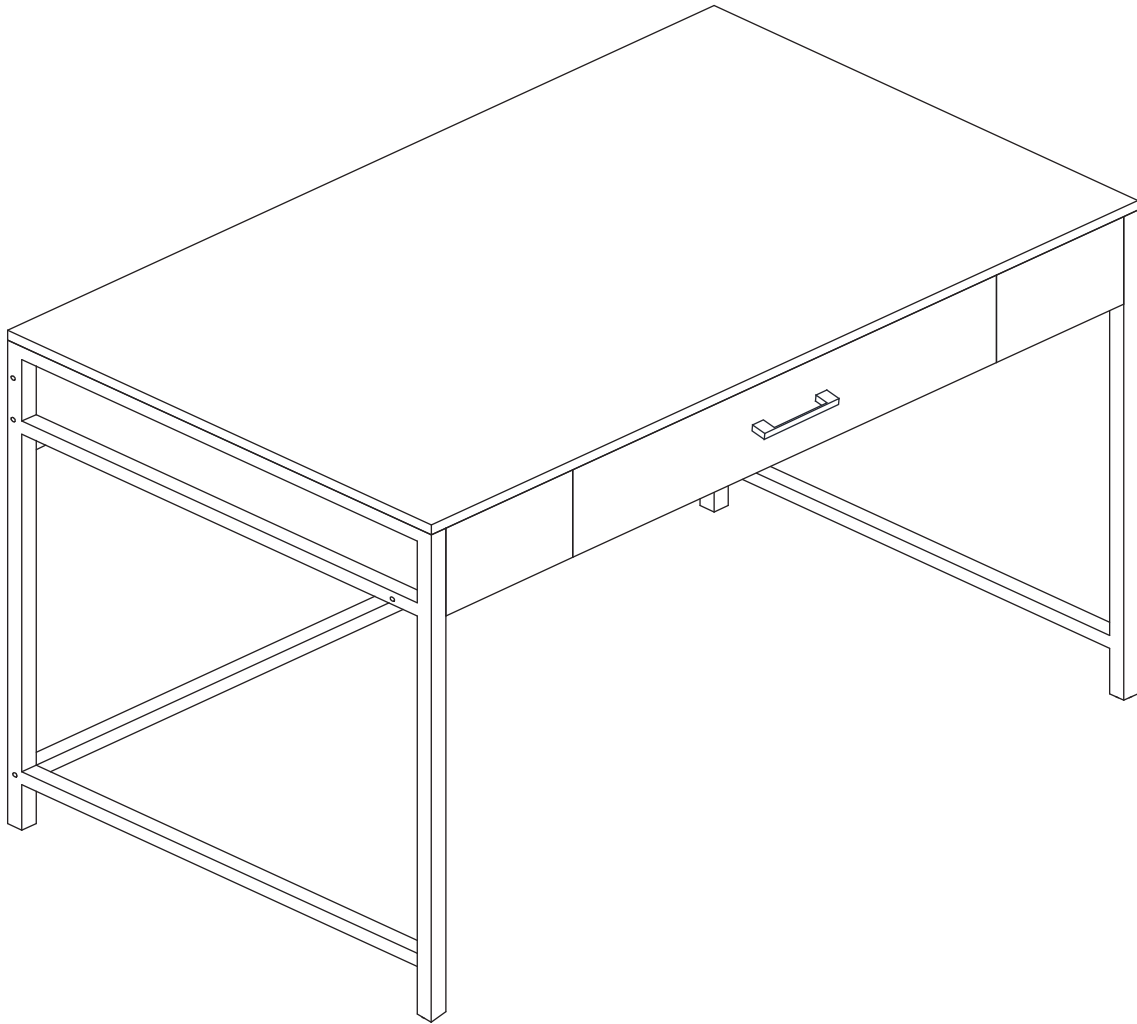
DUSK.COM

LIVING | BEDROOM | DINING

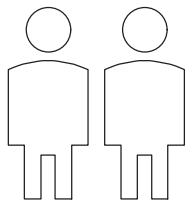
Range Name : RILEY

Box dimensions : 116x72x11.5cm

Riley Desk W/ Drawer



Up to 45 minutes
assembly time



Two person
assembly

This product is intended for domestic use only, not for commercial purposes.

P-1-11

IMPORTANT

ASSEMBLY TIP

Before you begin, it's best to identify all of the parts and fittings to build your Riley Desk W/ Drawer frame. We advise laying these out on the floor to check you have everything, and to familiarise yourself with all of the parts and fittings before building.

TOP TIP

We recommend that you assemble the Riley Desk W/ Drawer in the room you'd like it to be located. This will help prevent any risk of damage to the frame whilst moving it.

SAFETY AND CARE

It's important to ensure children and animals are kept away from the assembly area, as there are small components used in this product which could present a choking hazard. All plastic and wrapping materials should also be kept away from children and animals to prevent any risk of suffocation.

HELP AND SUPPORT

Please contact our customer service team on 0113 519 0311 if you have any questions or issues with your purchase.

RECYCLING

Please ensure that packaging is disposed of in a safe and environmentally friendly way, and recycle where possible. Please keep your assembly instructions safe to refer back to in the future.

CARE AND MAINTENANCE:

1. Only clean using a damp cloth, do not use bleach or abrasive cleaners as they may damage the finish over time.
2. Do not use a very wet cloth or allow any liquid to contact with the veneer for a long period of time. Wipe any spillage immediately. Absorption can cause wood to warp or finishes to de-laminate.
3. Do not scrub or rub the surface when cleaning.
4. Do not drag the Riley Desk W/ Drawer when moving, lift it off the floor instead.
5. Use a placemat or a coaster when putting hot items (e.g. hot drinks and dishes) on the wood surface.
6. It is not recommended to place the item next to sources of heat such as radiators, fires or directly exposed to sunlight. This may cause the wood to crack, split or fade due to the heat and humidity.
7. Wood will mellow and change colour over time, we recommend that ornaments and items placed on the surface to be moved regularly to prevent uneven mellowing.
8. Regularly check all fixings to ensure none have come loose. Re-tighten if necessary.
9. Avoid sharp items such as a screwdriver or any pointy tools.
10. Dispose of all packaging carefully and responsibly - recycle where possible.

Parts list

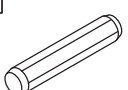
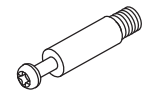

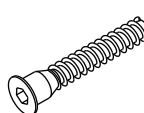
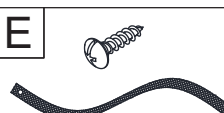
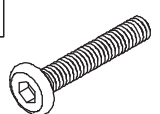
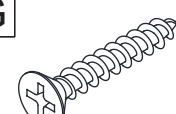
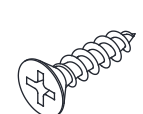

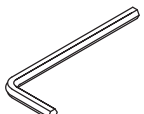
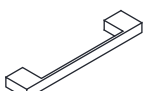

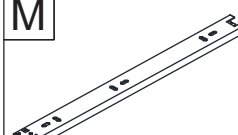

Before you begin building your Willow Bedside, please take a moment to read through the instructions and make sure that you have all the relevant parts listed on the parts check list.

Part Number	Part Description	Quantity
①	Big Top	1pc
②	Left Front Panel	1pc
③	Side Panel	2pcs
④	Left Divide Panel	1pc
⑤	Right Divide Panel	1pc
⑥	Back Panel	1pc
⑦	Drawer Front Panel	1pc
⑧	Drawer Left Side Panel	1pc
⑨	Drawer Right Side Panel	1pc
⑩	Drawer Back Panel	1pc
⑪	Drawer Support Bar	1pc

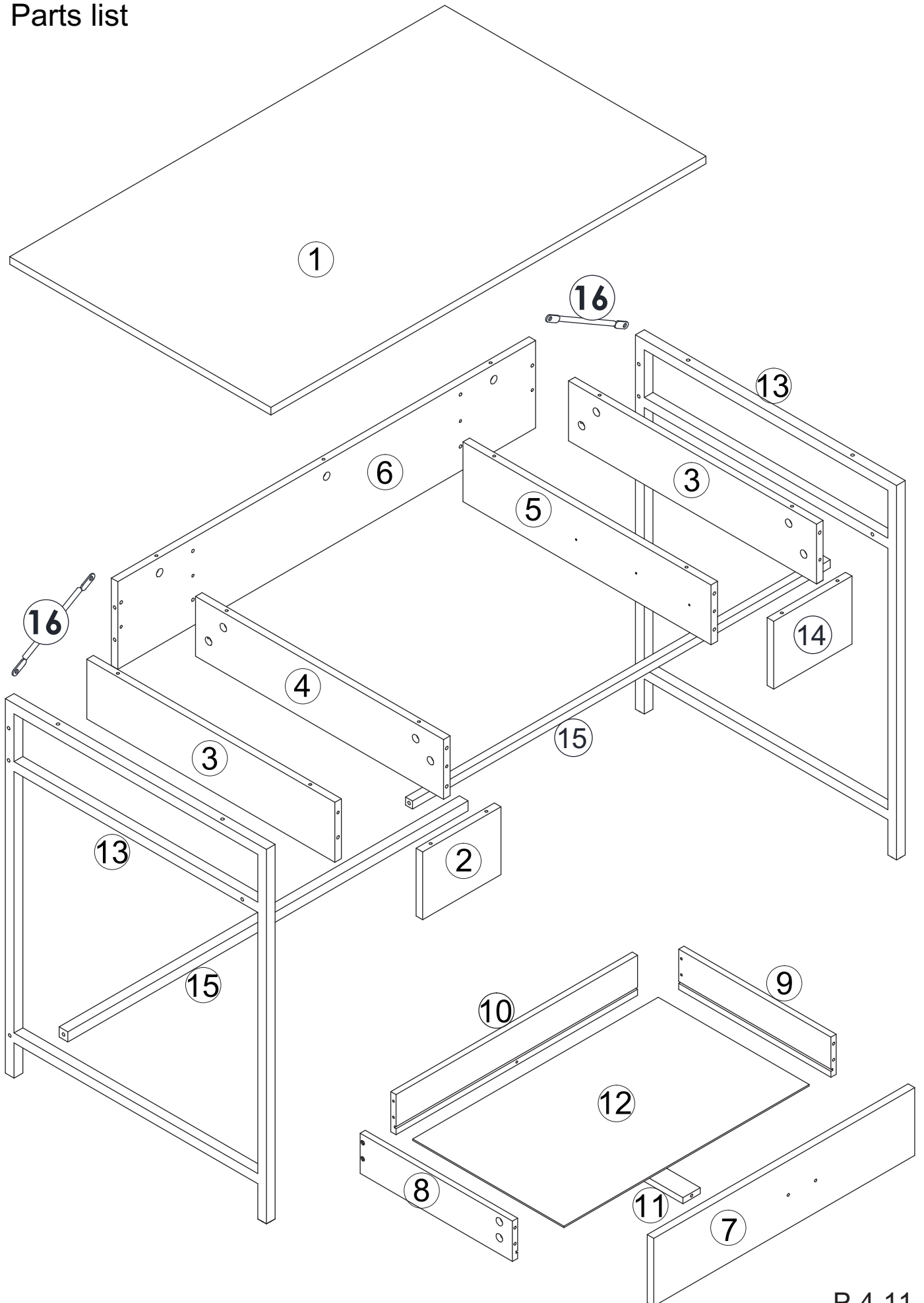
Part Number	Part Description	Quantity
⑫	Drawer Base Panel	1pc
⑬	Side Metal Frame	2pcs
⑭	Right Front Panel	1pc
⑮	Iron bar	2pcs
⑯	Joint Lever	2pcs

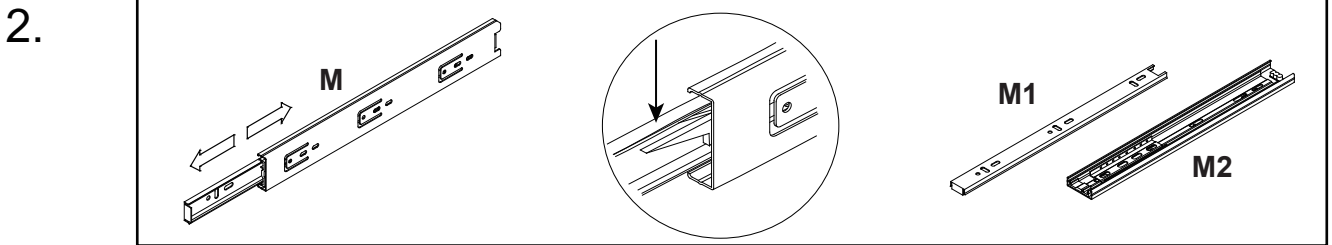
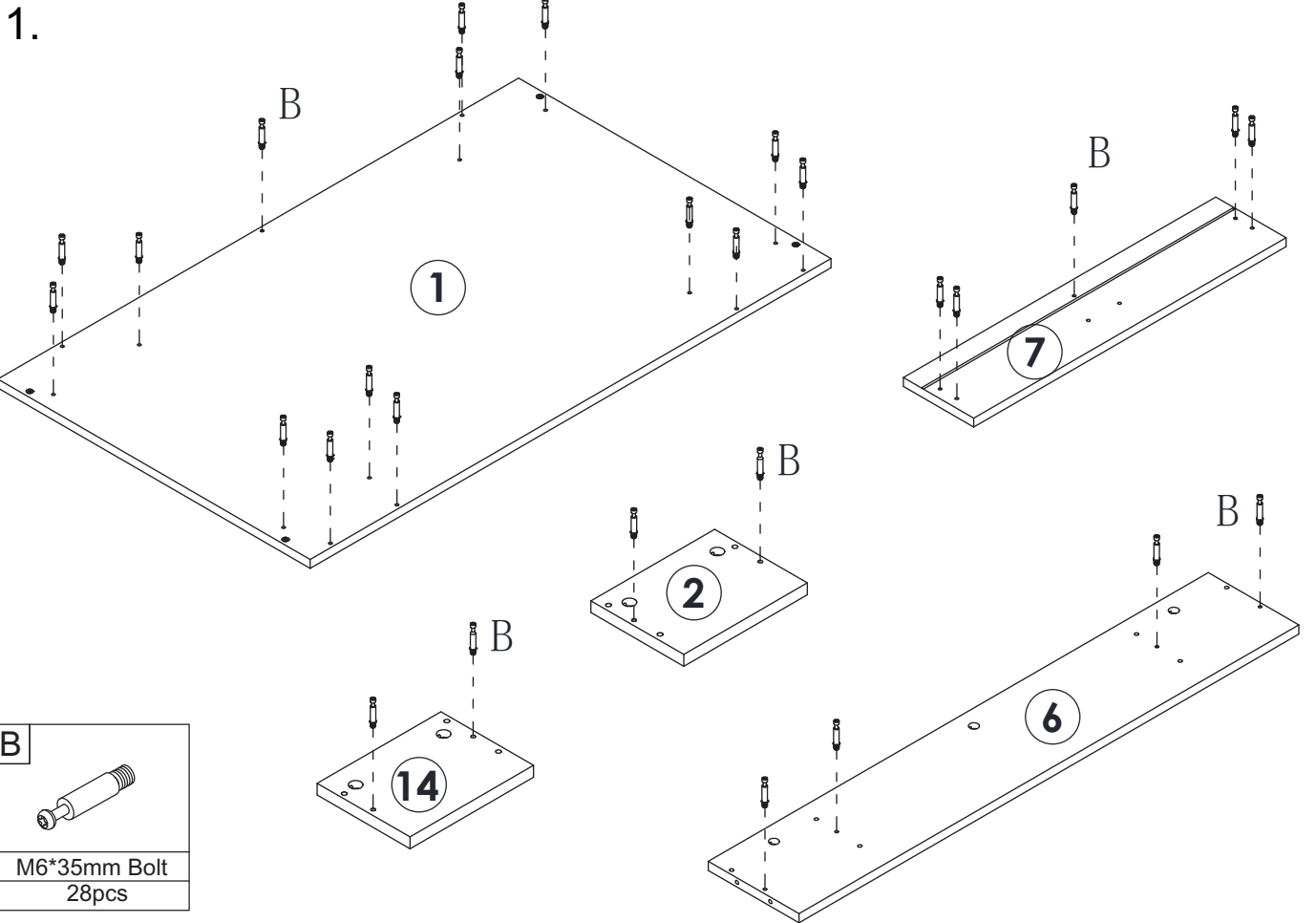
Fittings

Please check you have all the fittings listed below with your product.

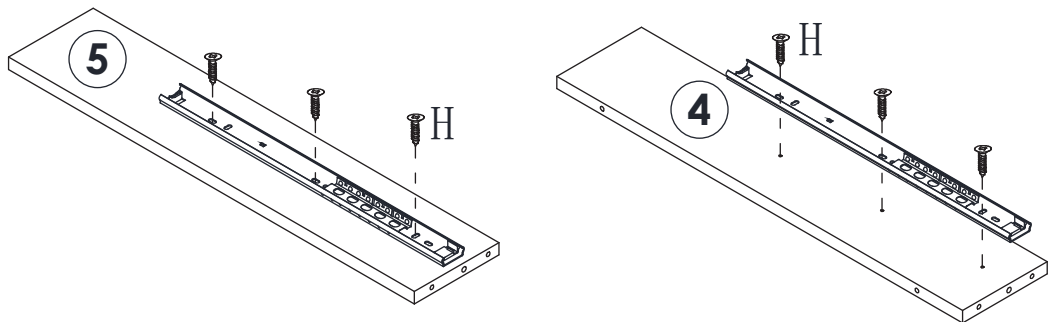
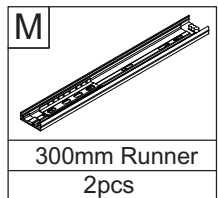
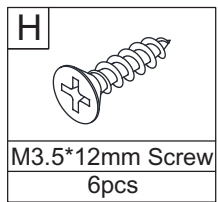
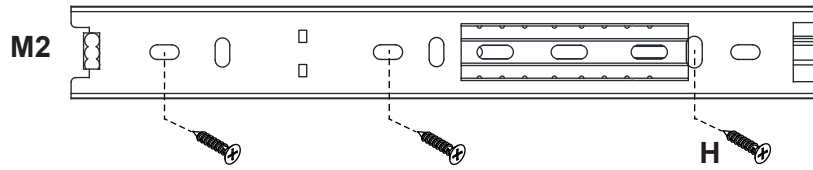
<p>A</p>  <p>Ø6x30mm Dowel 12+1pcs extra</p>	<p>B</p>  <p>M6*35mm Bolt 28+3pcs extra</p>	<p>C</p>  <p>Ø15x9.5mm Cam Lock 28+3pcs extra</p>	<p>D</p>  <p>Ø7x50mm Bolt 4pcs</p>	<p>E</p>  <p>Strip M4*14mm Screw 2pcs</p>
<p>F</p>  <p>M6*30mm Bolt 8+1pc extra</p>	<p>G</p>  <p>M4*35mm Screw 5pcs</p>	<p>H</p>  <p>M3.5*12mm Screw 12+1pc extra</p>	<p>I</p>  <p>M6*12mm Bolt 4pcs</p>	<p>J</p>  <p>Ø4mm Allen key 1pc</p>
<p>K</p>  <p>Handle 1pc</p>	<p>L</p>  <p>M4*18mm Bolt 2pcs</p>	<p>M</p>  <p>300mm Runner 2pcs</p>	<p>N</p>  <p>Hole Gasket 28+3pcs extra</p>	

Parts list

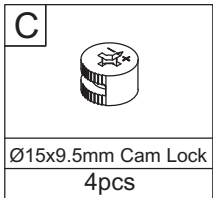
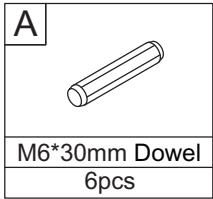
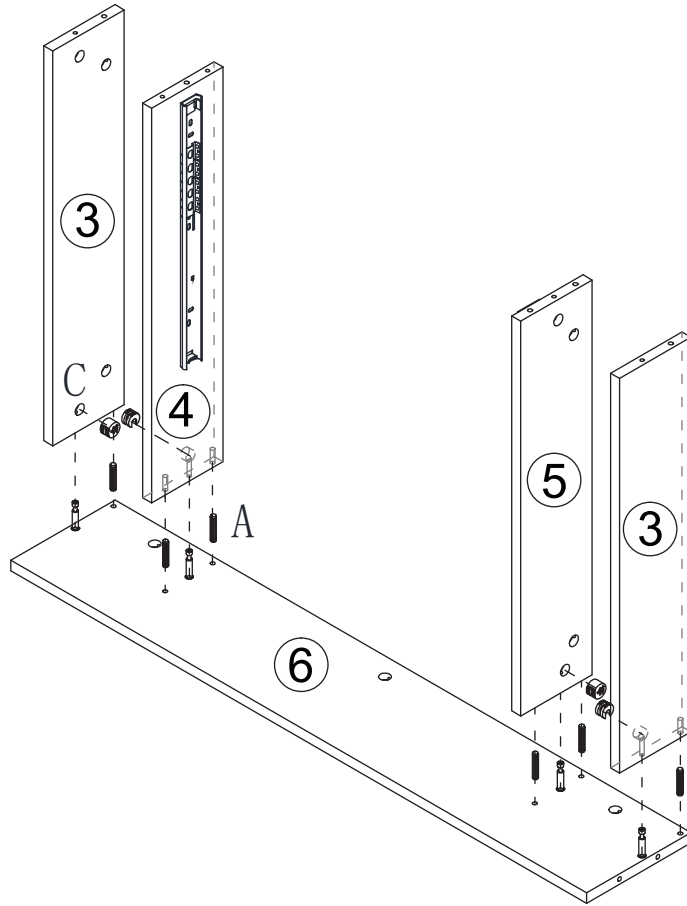




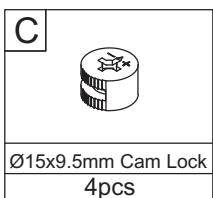
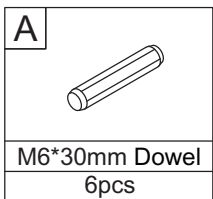
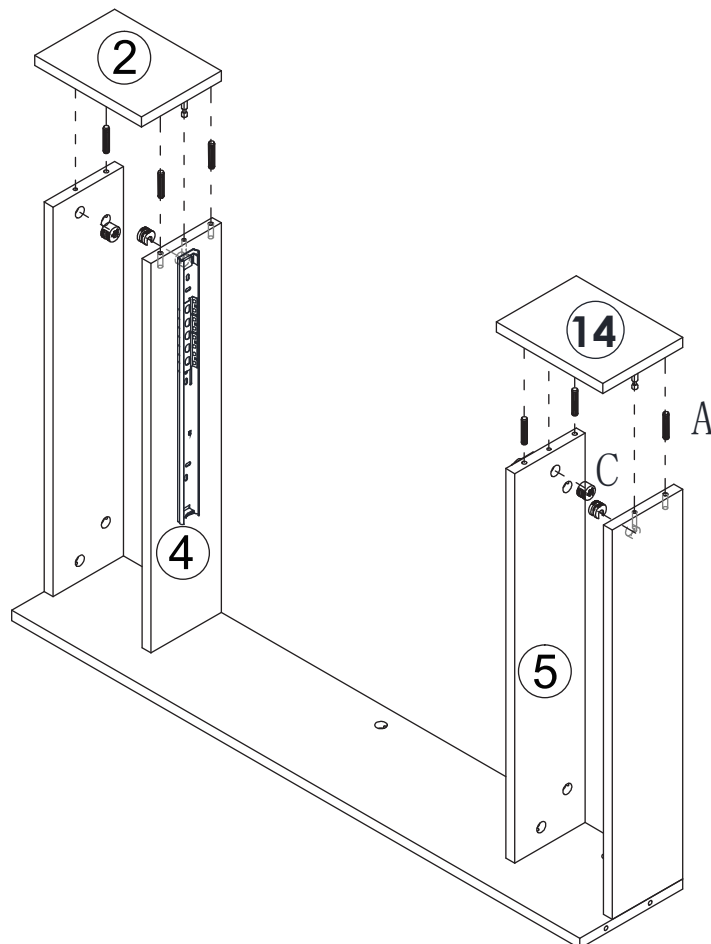
Need to assemble drawer runner in the correct pilot hole as the diagram indicates.



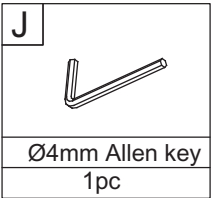
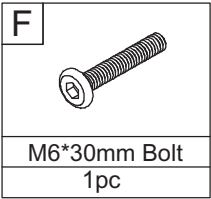
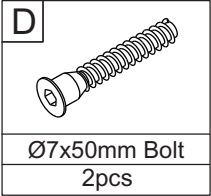
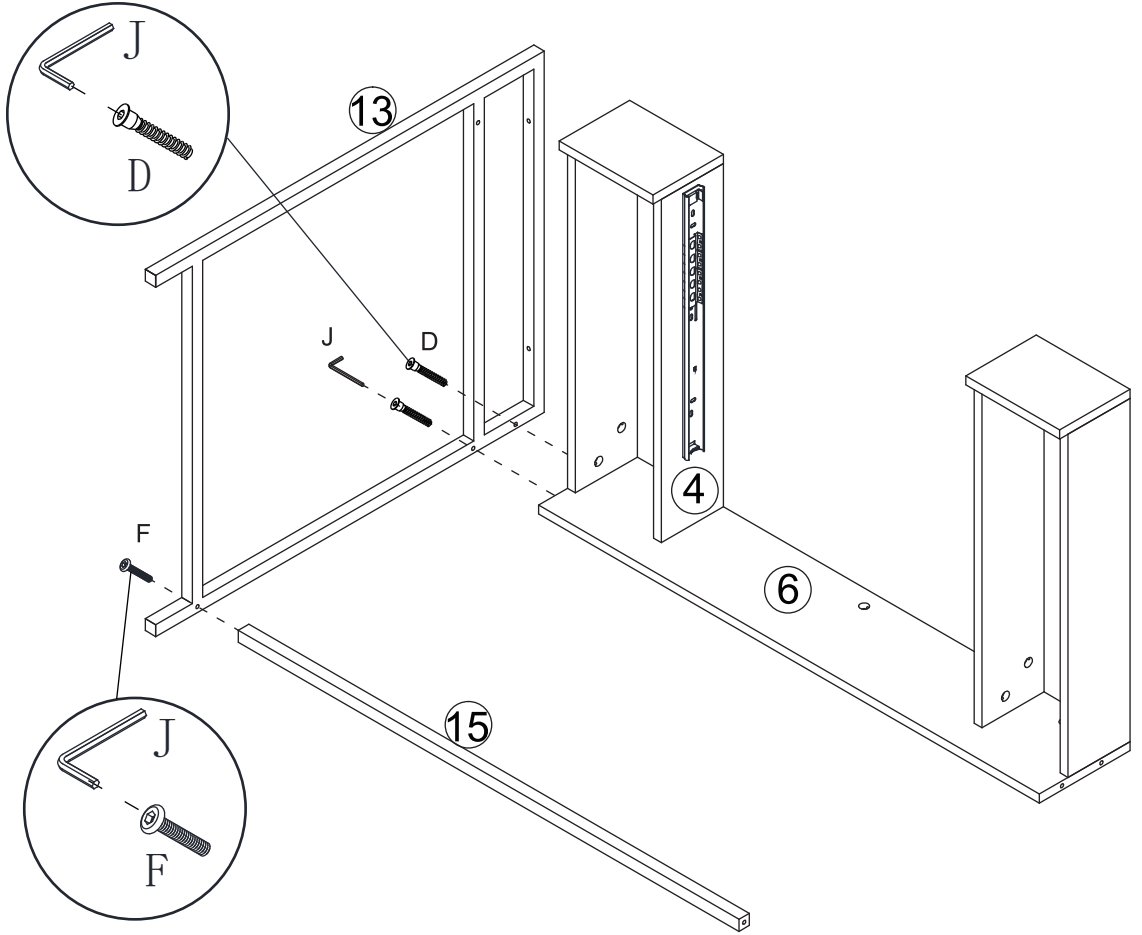
3.



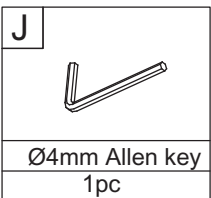
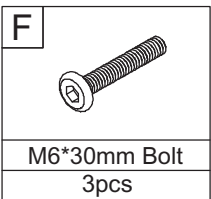
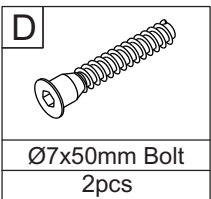
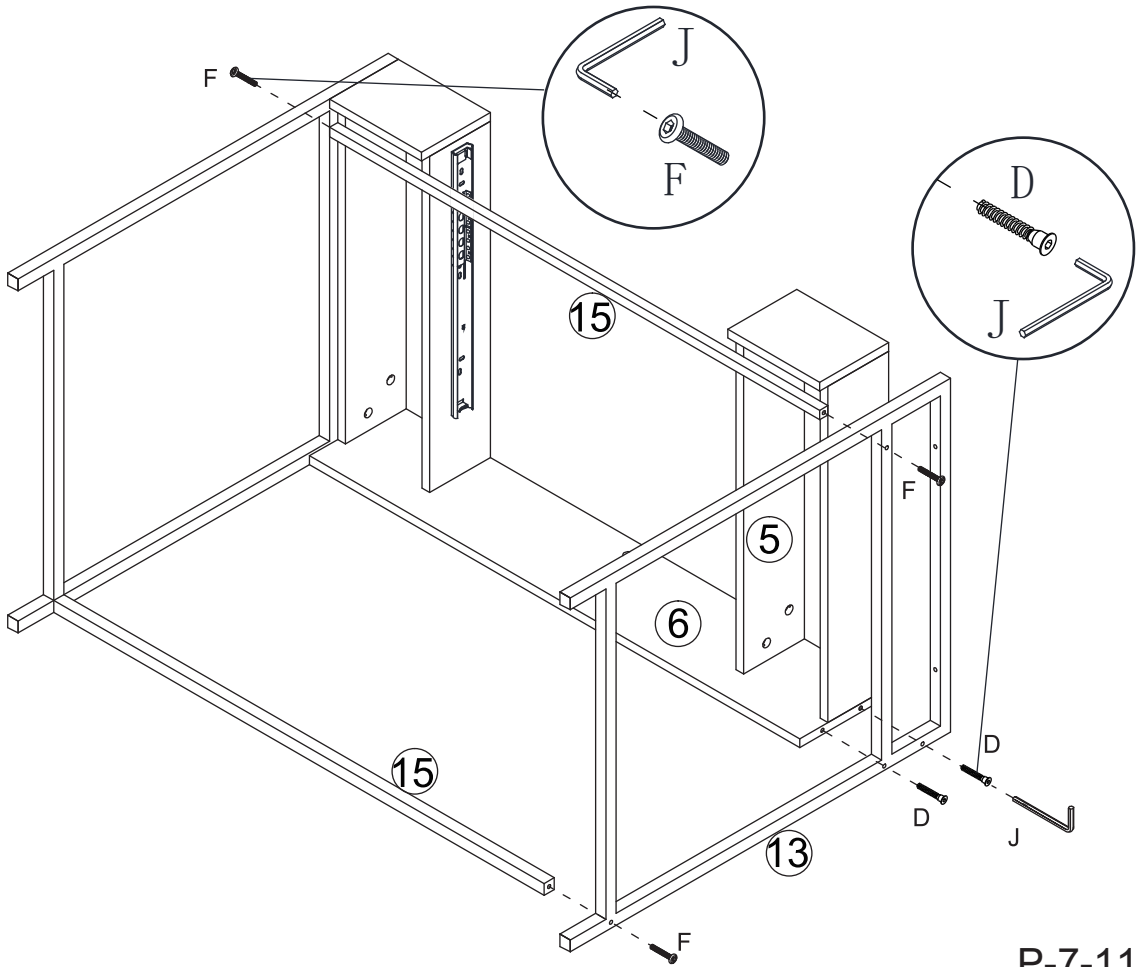
4.



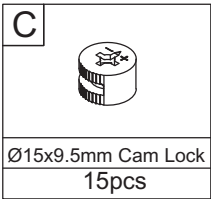
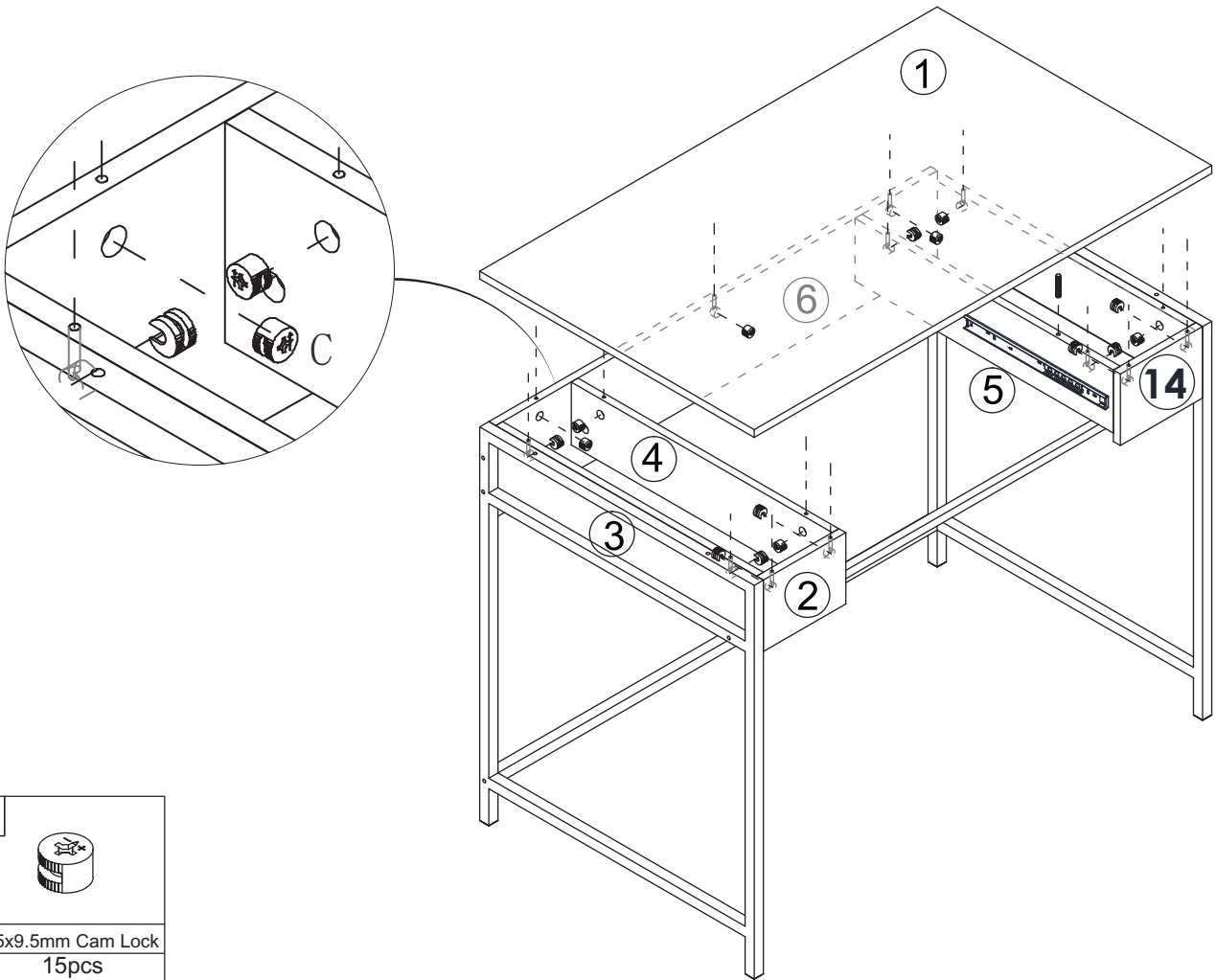
5.



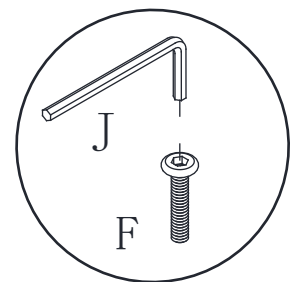
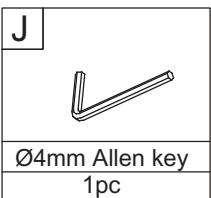
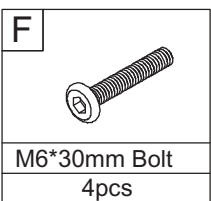
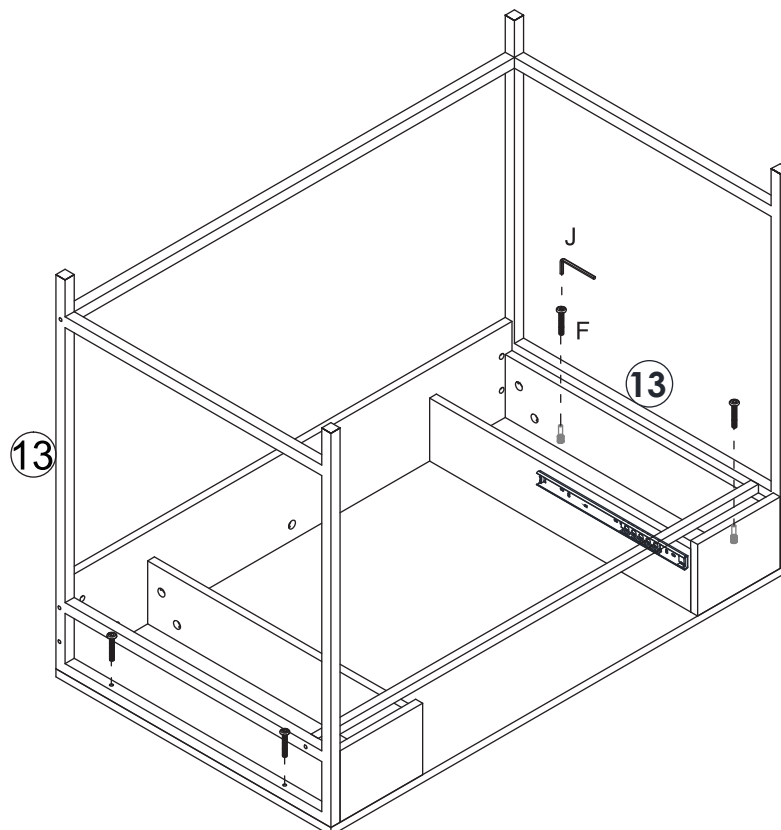
6.



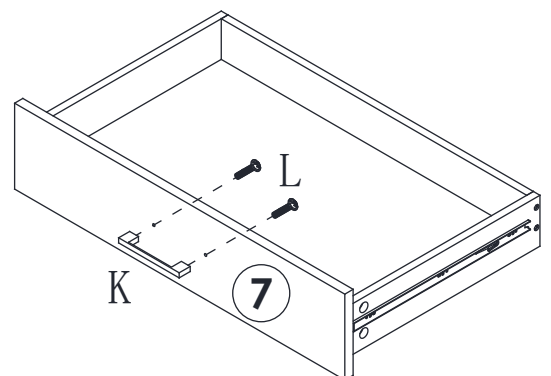
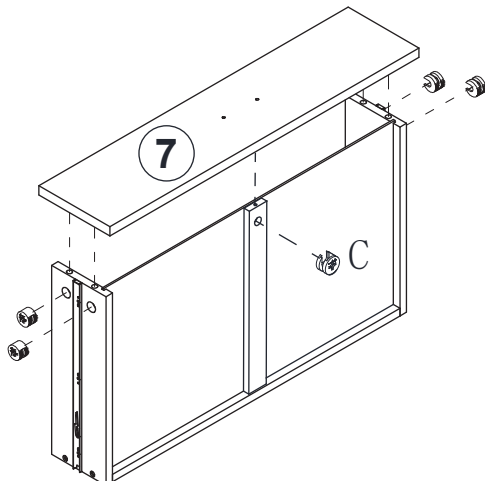
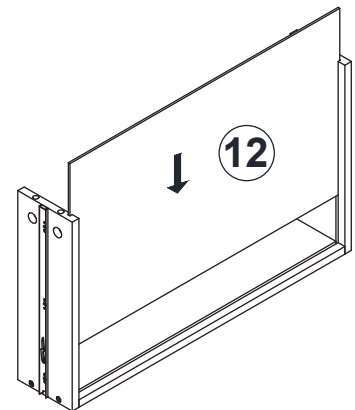
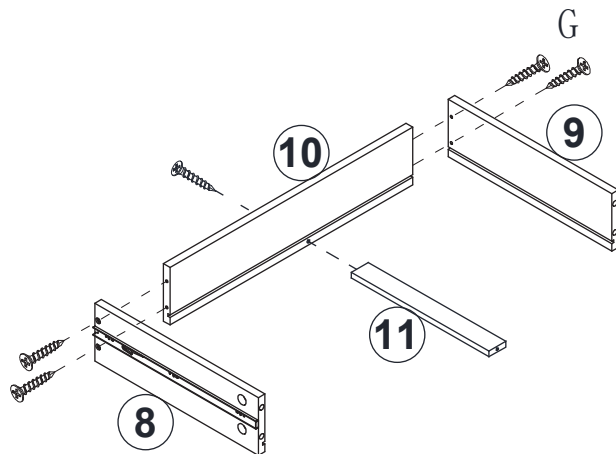
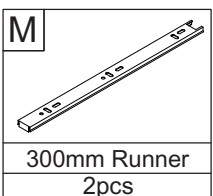
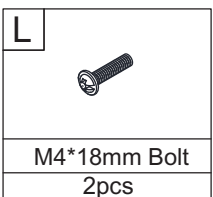
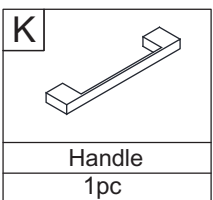
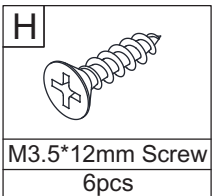
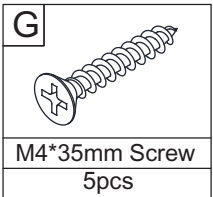
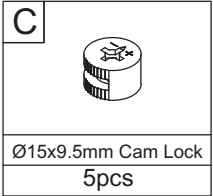
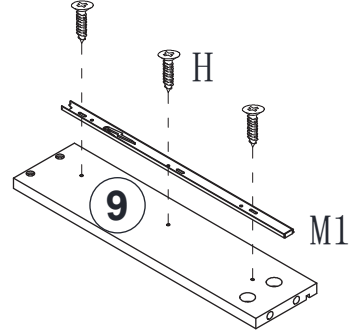
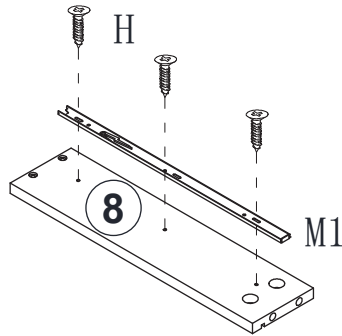
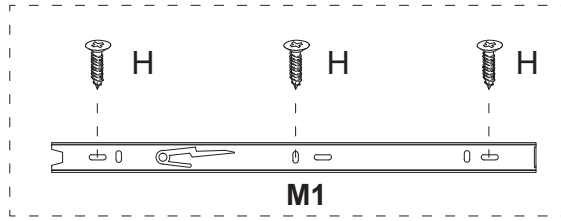
7.



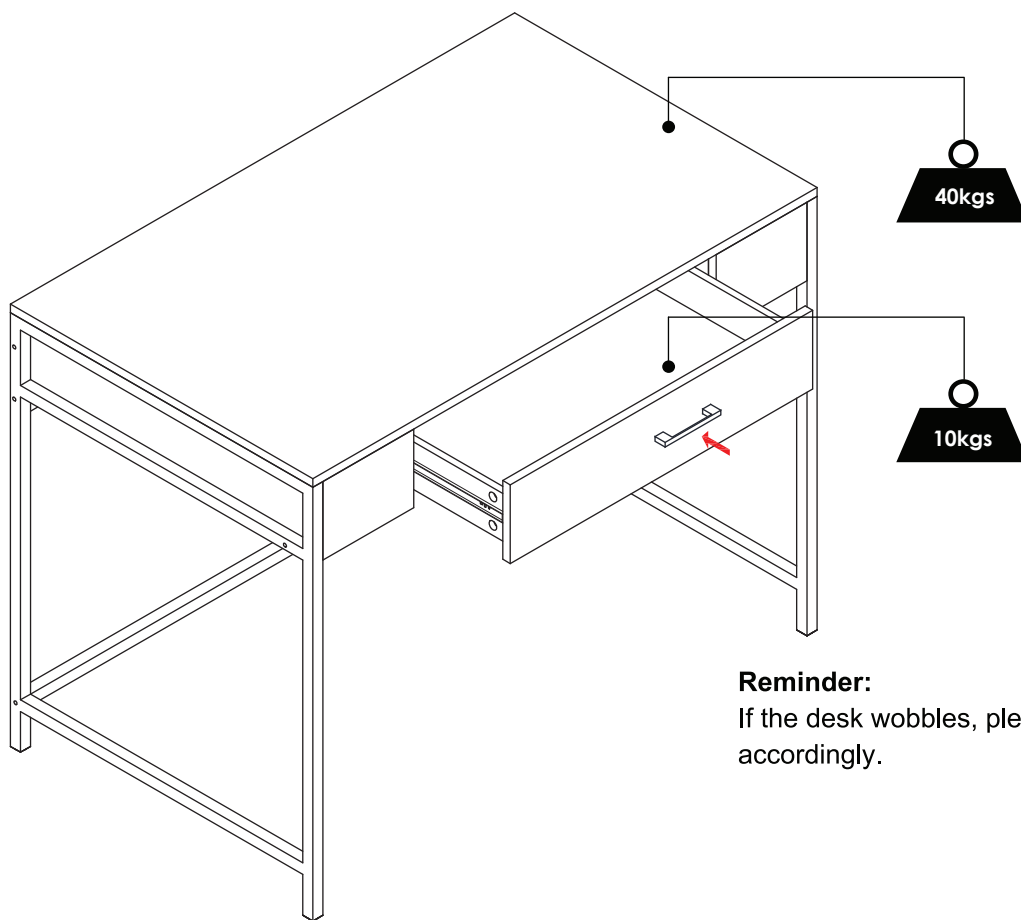
8.



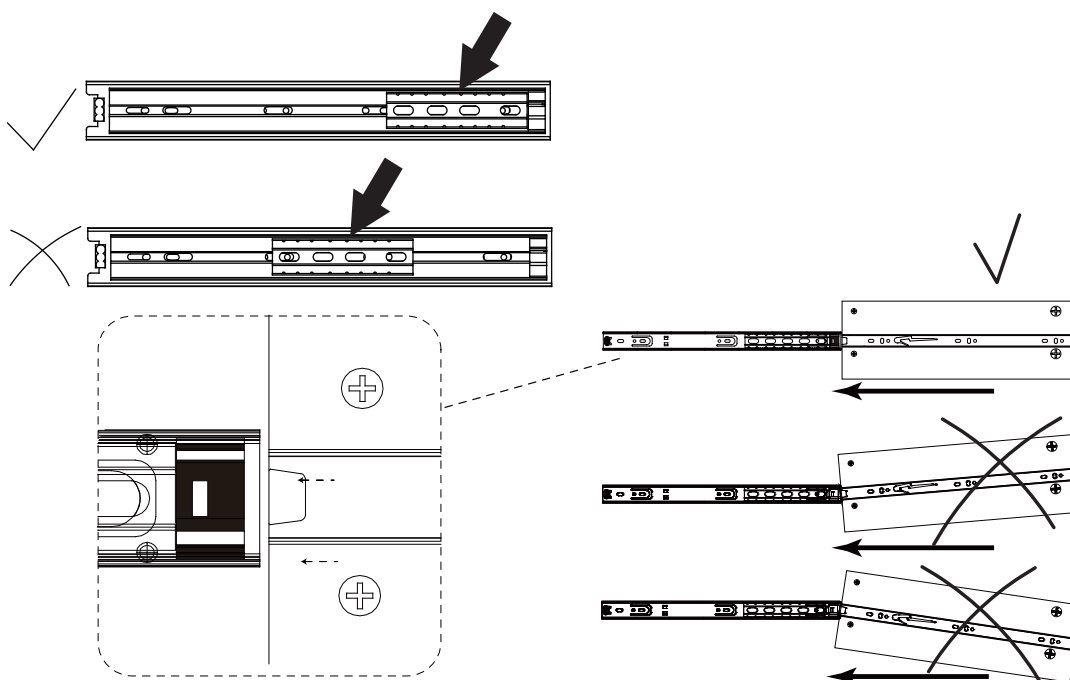
9.



10.



Reminder:
If the desk wobbles, please adjust the pads accordingly.



In addition, delicate tables shall be supplied with the following warnings:
a) WARNING-Delicate table - Do not sit on the product;
b) WARNING-Delicate table- Do not place heavy objects on this product.
manufacturers maximum load or 40kg.

11. WARNING: Please make the choice of screws according to your own wall for wall locking. In order to prevent overturning this product must be used with the wall attachment device provided.

