

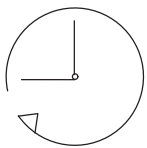
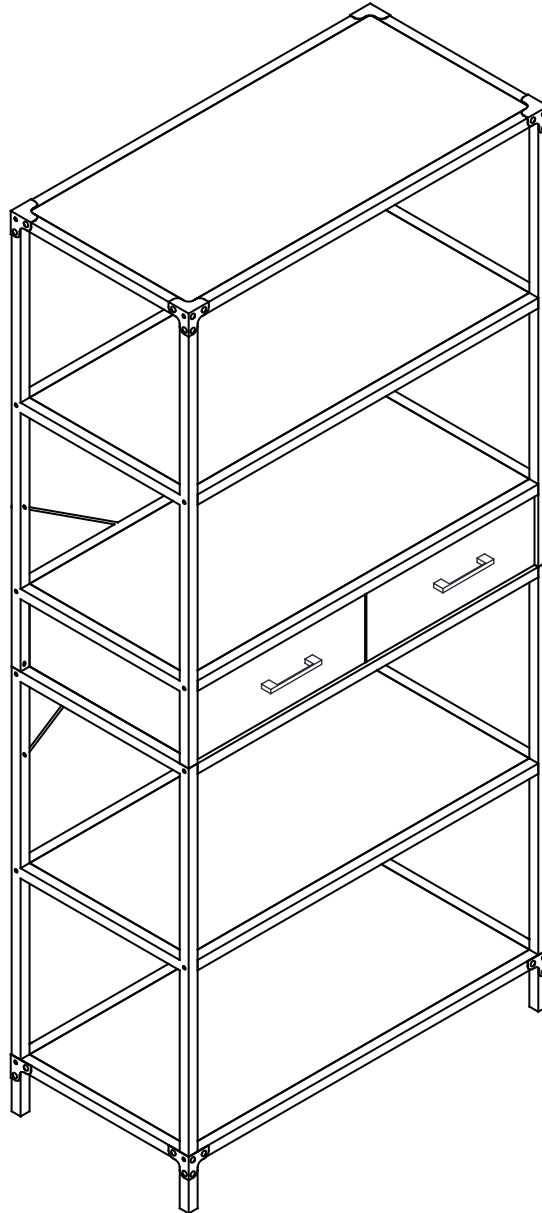
# DUSK.COM

LIVING | BEDROOM | DINING

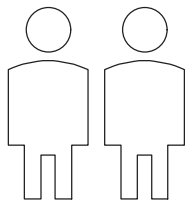
Range Name : RILEY

Box dimensions : 104x51.5x23.5cm

## Riley Bookshelf W/ Drawer



Up to 45 minutes  
assembly time



Two person  
assembly

This product is intended for domestic use only, not for commercial purposes.

P-1-14

## IMPORTANT

### ASSEMBLY TIP

Before you begin, it's best to identify all of the parts and fittings to build your Riley Bookshelf W/ Drawer frame. We advise laying these out on the floor to check you have everything, and to familiarise yourself with all of the parts and fittings before building.

### TOP TIP

We recommend that you assemble the Riley Bookshelf W/ Drawer in the room you'd like it to be located. This will help prevent any risk of damage to the frame whilst moving it.

### SAFETY AND CARE

It's important to ensure children and animals are kept away from the assembly area, as there are small components used in this product which could present a choking hazard. All plastic and wrapping materials should also be kept away from children and animals to prevent any risk of suffocation.

### HELP AND SUPPORT

Please contact our customer service team on 0113 519 0311 if you have any questions or issues with your purchase.

### RECYCLING

Please ensure that packaging is disposed of in a safe and environmentally friendly way, and recycle where possible. Please keep your assembly instructions safe to refer back to in the future.

### CARE AND MAINTENANCE:

1. Only clean using a damp cloth, do not use bleach or abrasive cleaners as they may damage the finish over time.
2. Do not use a very wet cloth or allow any liquid to contact with the veneer for a long period of time. Wipe any spillage immediately. Absorption can cause wood to warp or finishes to de-laminate.
3. Do not scrub or rub the surface when cleaning.
4. Do not drag the Riley Bookshelf W/ Drawer when moving, lift it off the floor instead.
5. Use a placemat or a coaster when putting hot items (e.g. hot drinks and dishes) on the wood surface.
6. It is not recommended to place the item next to sources of heat such as radiators, fires or directly exposed to sunlight. This may cause the wood to crack, split or fade due to the heat and humidity.
7. Wood will mellow and change colour over time, we recommend that ornaments and items placed on the surface to be moved regularly to prevent uneven mellowing.
8. Regularly check all fixings to ensure none have come loose. Re-tighten if necessary.
9. Avoid sharp items such as a screwdriver or any pointy tools.
10. Dispose of all packaging carefully and responsibly - recycle where possible.

# Parts list

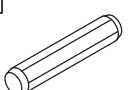
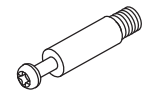

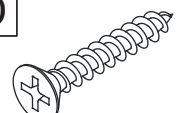

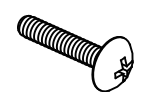


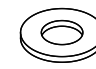
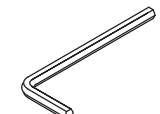
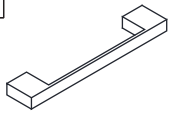

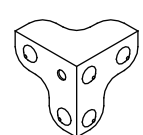
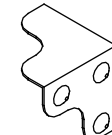
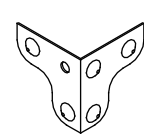
Before you begin building your Willow Bedside, please take a moment to read through the instructions and make sure that you have all the relevant parts listed on the parts check list.

Part Number	Part Description	Quantity
①	Top Metal Frame	2pcs
②	Lower Metal Frame	2pcs
③	Iron bar	10pcs
④	Shelf Panel	4pcs
⑤	Middle Shelf Panel	1pc
⑥	Middle Shelf Panel	1pc
⑦	Left Side Panel	1pc
⑧	Right Side Panel	1pc
⑨	Divider	1pc
⑩	Cross Bar	2pcs
⑪	Drawer Front Panel	1pc

Part Number	Part Description	Quantity
⑫	Drawer Front Panel	1pc
⑬	Drawer Left Side Panel	2pcs
⑭	Drawer Right Side Panel	2pcs
⑮	Drawer Base Panel	2pcs
⑯	Drawer Back Panel	2pcs
⑰	Iron Bar	2pcs

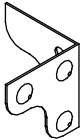
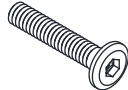

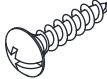
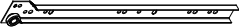
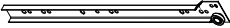




# Fittings

Please check you have all the fittings listed below with your product.

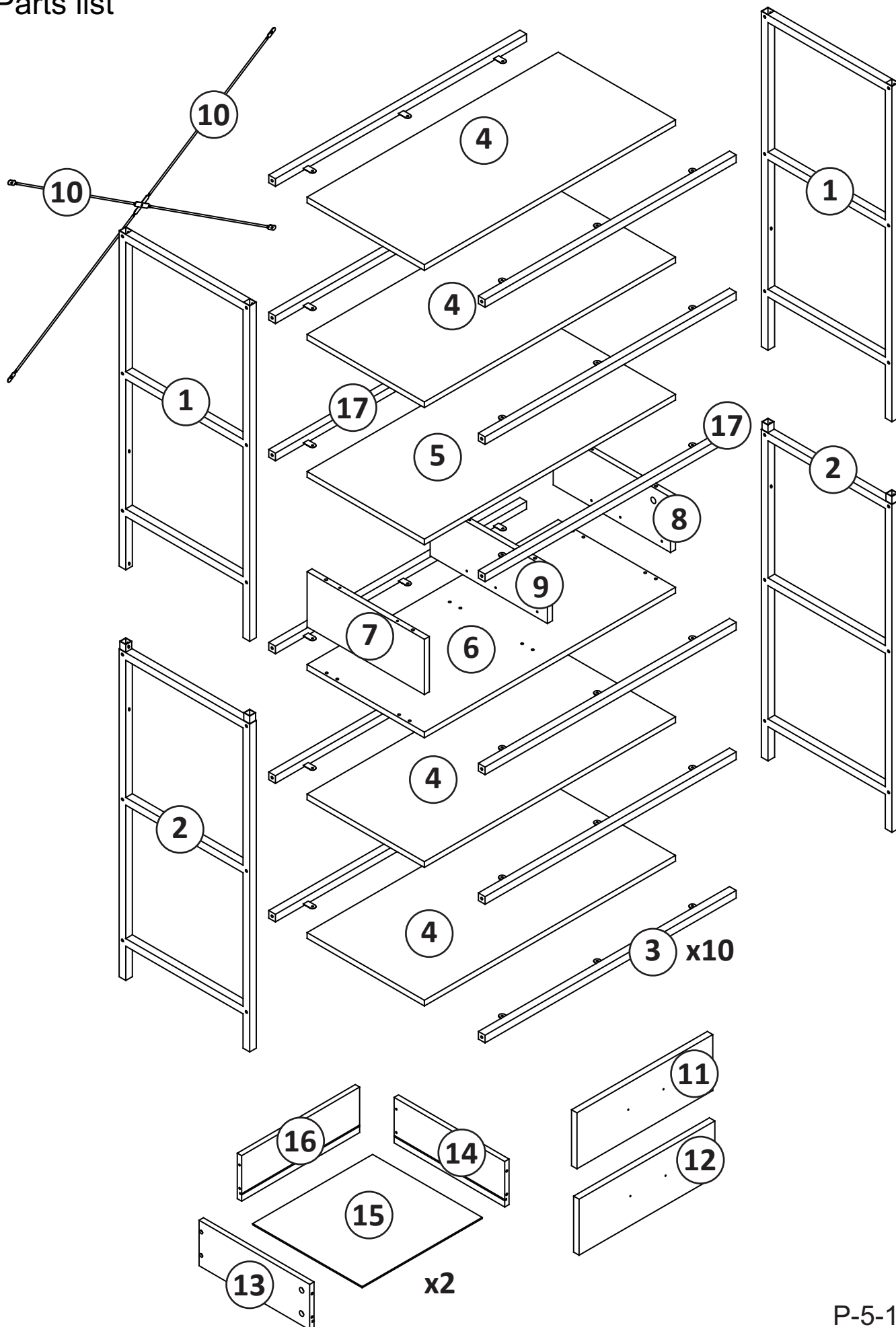
 <p><b>A</b></p> <p>Ø6x30mm Dowel 12+1pc extra</p>	 <p><b>B</b></p> <p>M6*35mm Bolt 14+1pcs extra</p>	 <p><b>C</b></p> <p>Ø15x9.5mm Cam Lock 14+1pcs extra</p>	 <p><b>D</b></p> <p>M4*35mm Screw 14pcs+1pc extra</p>	 <p><b>E</b></p> <p>M3.5*14mm Screw 24pcs+3pcs extra</p>
 <p><b>F</b></p> <p>M4*25mm Bolt 4pcs</p>	 <p><b>G</b></p> <p>Bolt Cap 4pcs</p>	 <p><b>H</b></p> <p>Anti-fall Rope Gasket 1pc</p>	 <p><b>I</b></p> <p>Gasket 1pc</p>	 <p><b>J</b></p> <p>Ø4mm Allen key 1pc</p>
 <p><b>K</b></p> <p>Handle 2pcs</p>	 <p><b>L</b></p> <p>M4*18mm Bolt 4pcs</p>	 <p><b>M</b></p> <p>Corner Protector 2pcs</p>	 <p><b>N</b></p> <p>Corner Protector 2pcs</p>	 <p><b>O</b></p> <p>Corner Protector 2pcs</p>

# Fittings

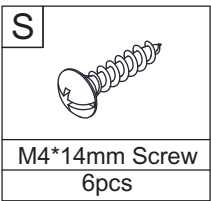
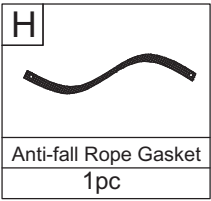
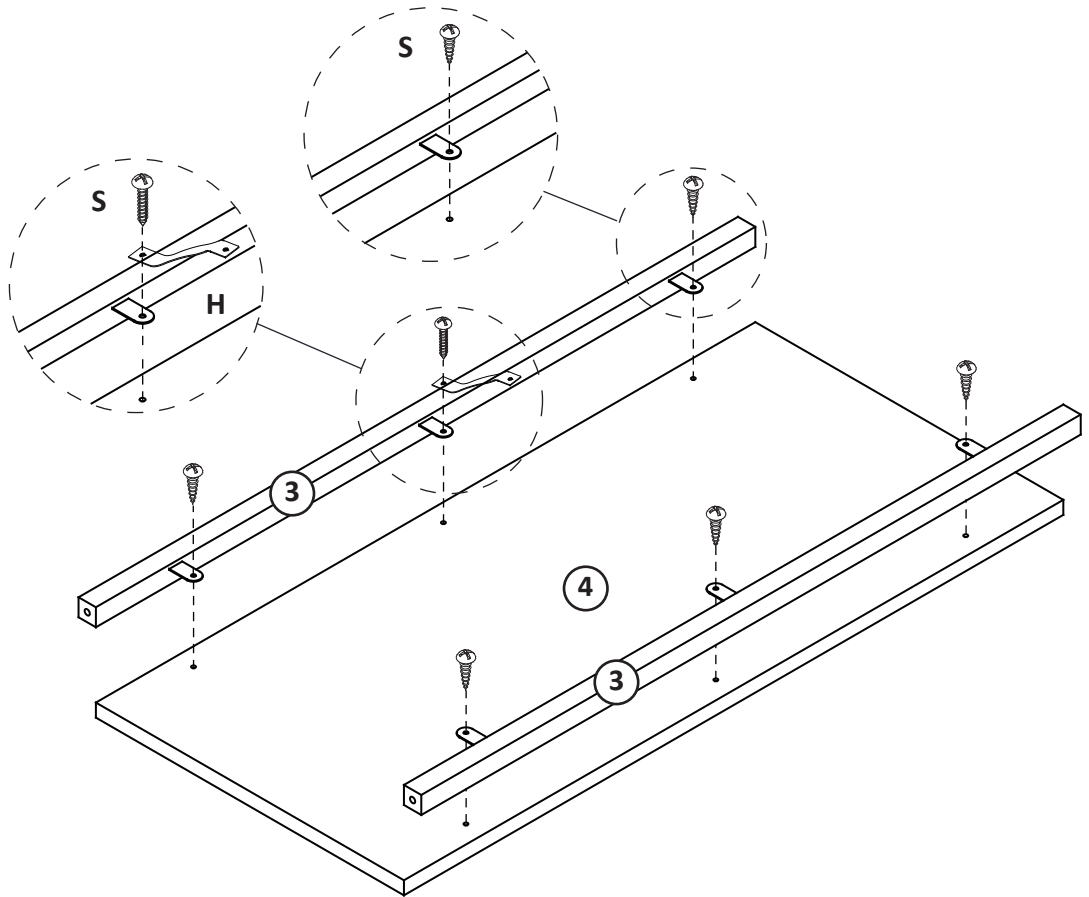
Please check you have all the fittings listed below with your product.

<p><b>P</b></p>  <p>Corner Protector 2pcs</p>	<p><b>Q</b></p>  <p>M6*30mm Bolt 24+3pcs extra</p>	<p><b>R</b></p>  <p>M6*12mm Bolt 5pcs</p>	<p><b>S</b></p>  <p>M4*14mm Screw 33pcs+4pcs extra</p>	<p><b>T</b></p>  <p>(CL) 300mm Runner 2pcs</p>
<p><b>T</b></p>  <p>(CR) 300mm Runner 2pcs</p>	<p><b>T</b></p>  <p>(DL) 300mm Runner 2pcs</p>	<p><b>T</b></p>  <p>(DR) 300mm Runner 2pcs</p>	<p><b>U</b></p>  <p>Hole Gasket 14pcs+1pcs extra</p>	<p><b>V</b></p>  <p>Nut 1pc</p>

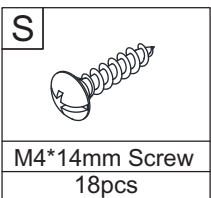
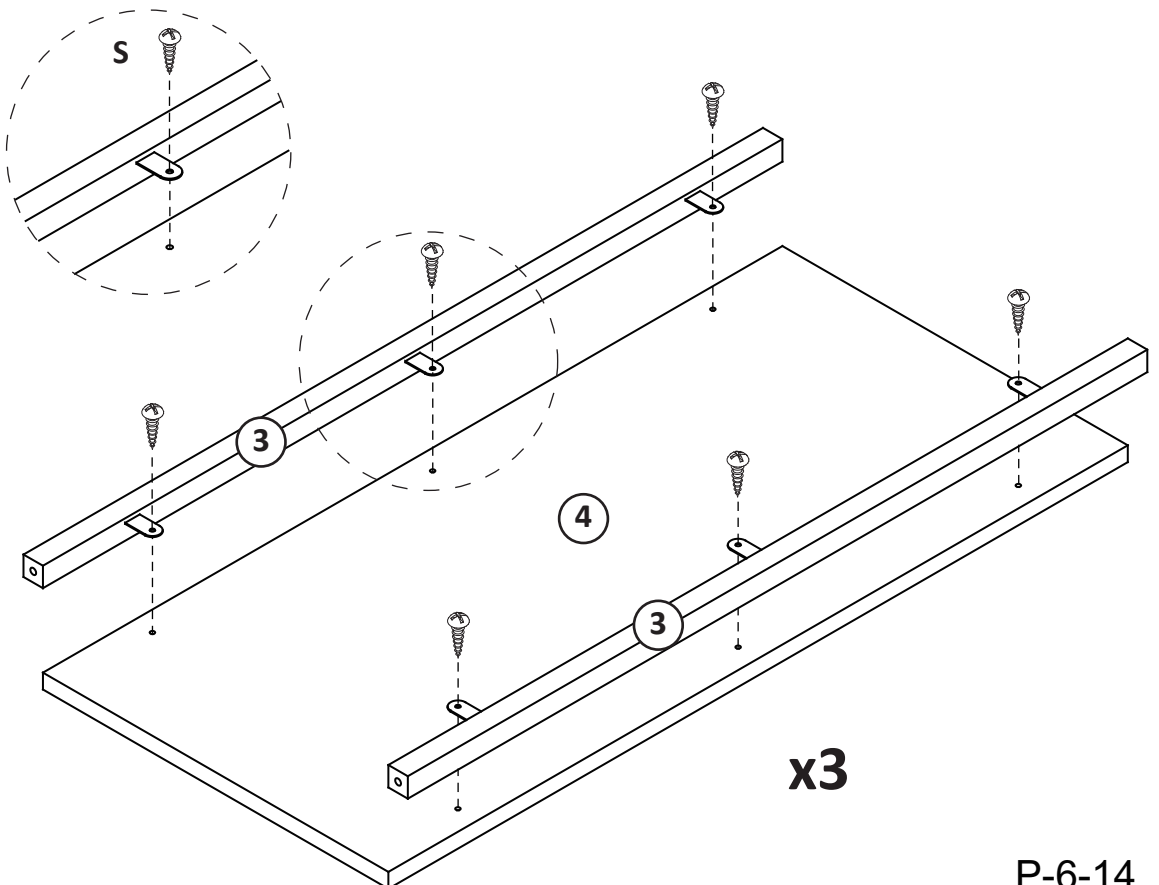
# Parts list



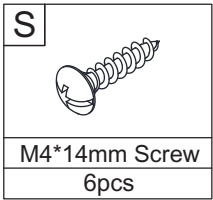
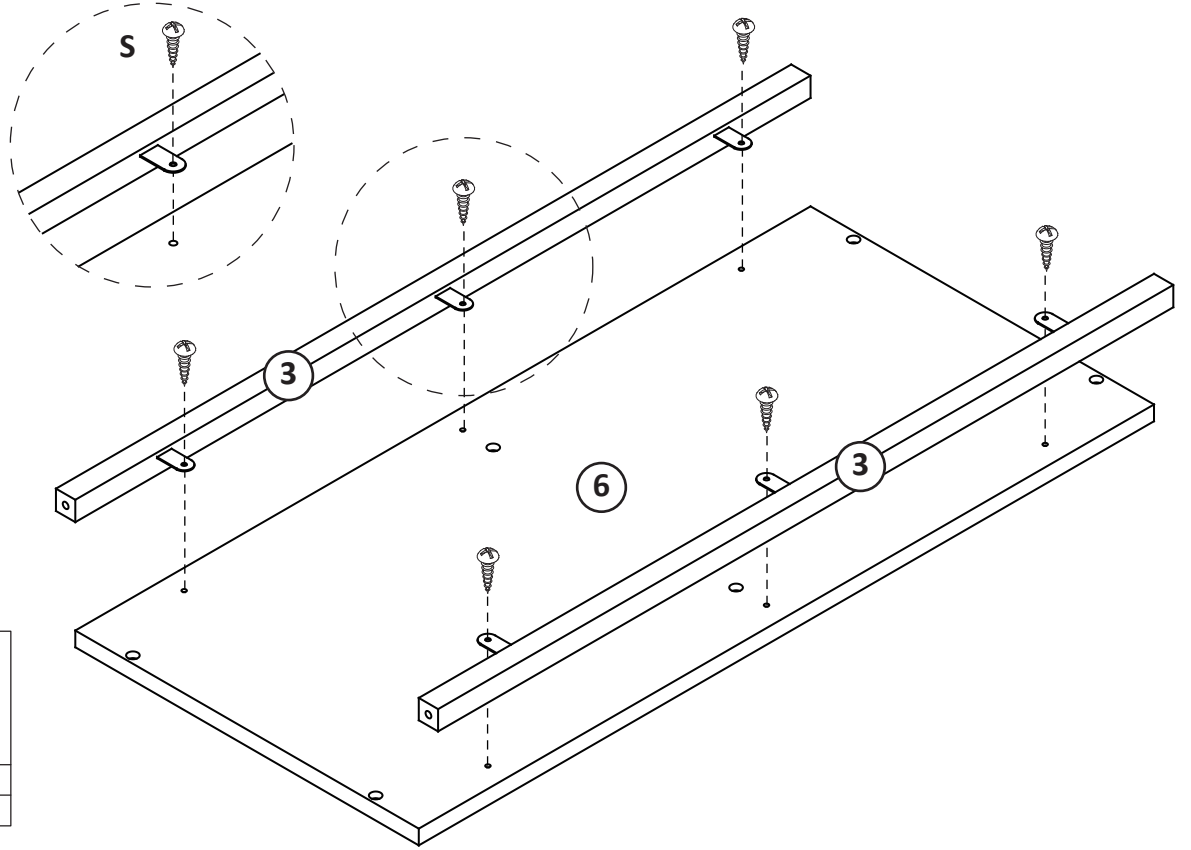
1.



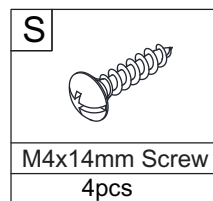
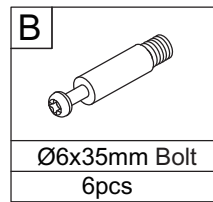
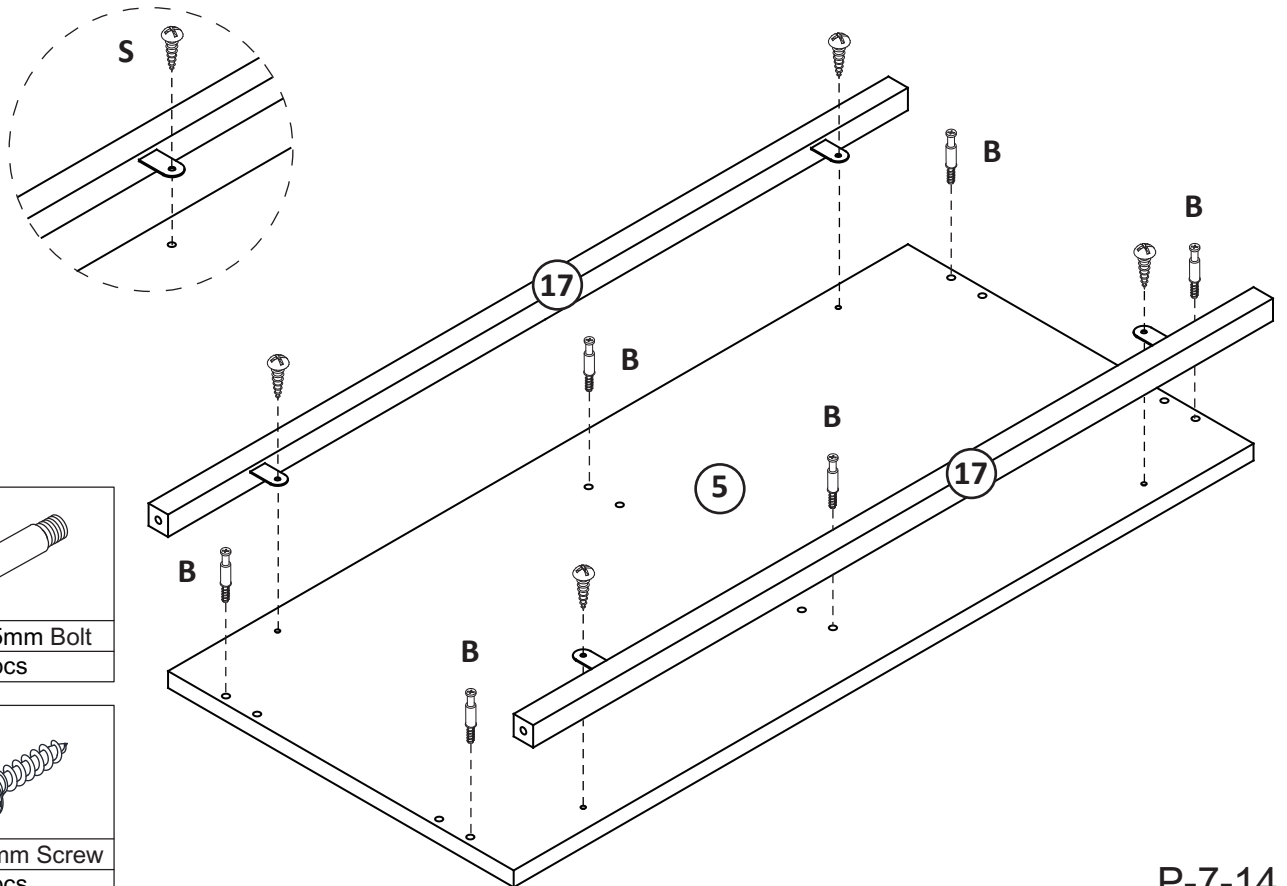
2.



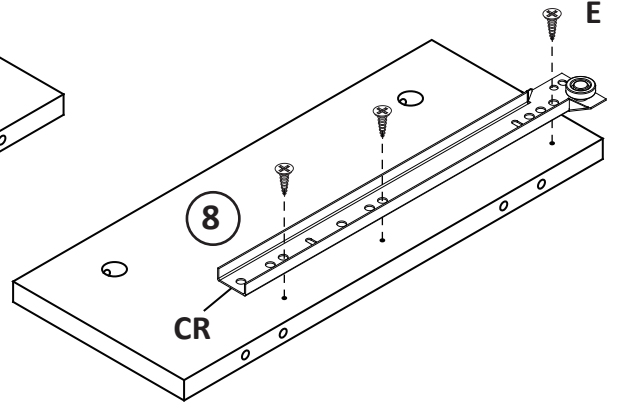
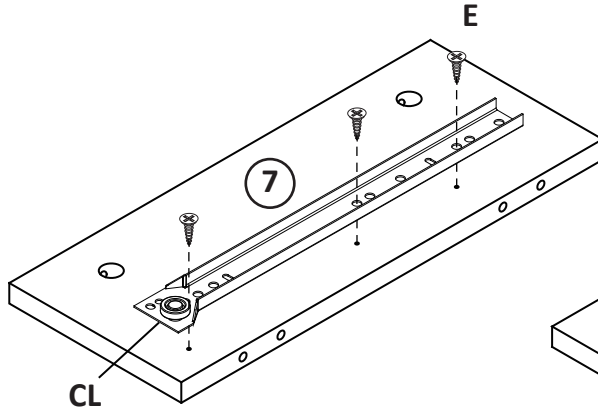
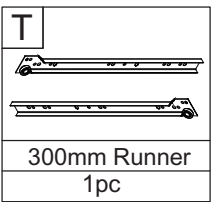
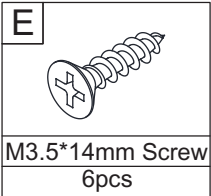
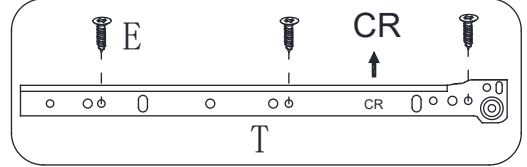
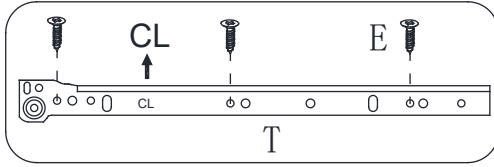
3.



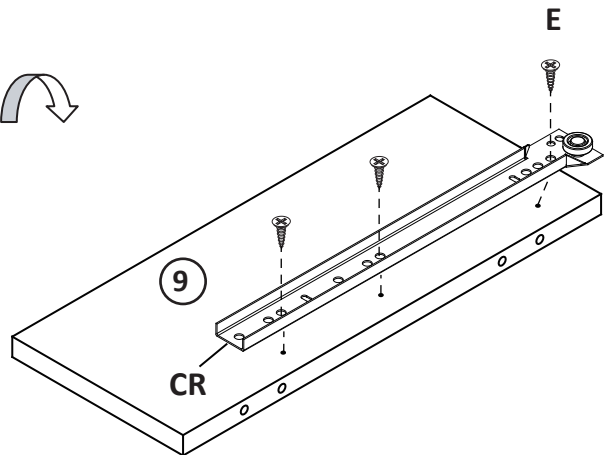
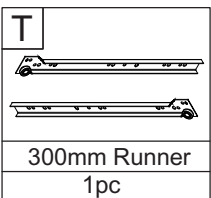
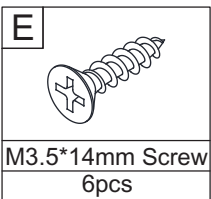
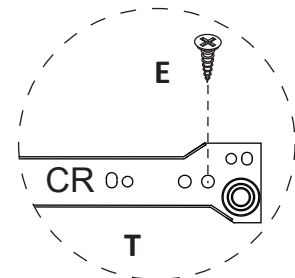
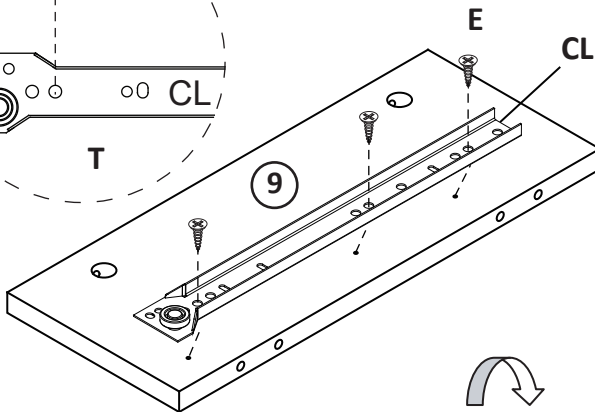
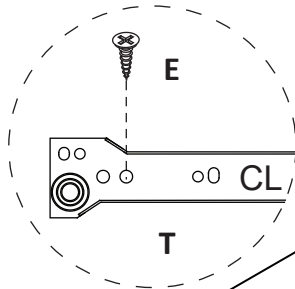
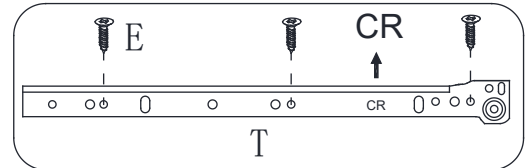
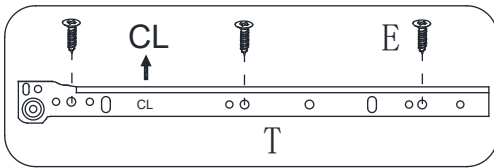
4.



5.

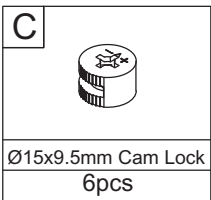
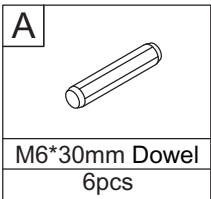
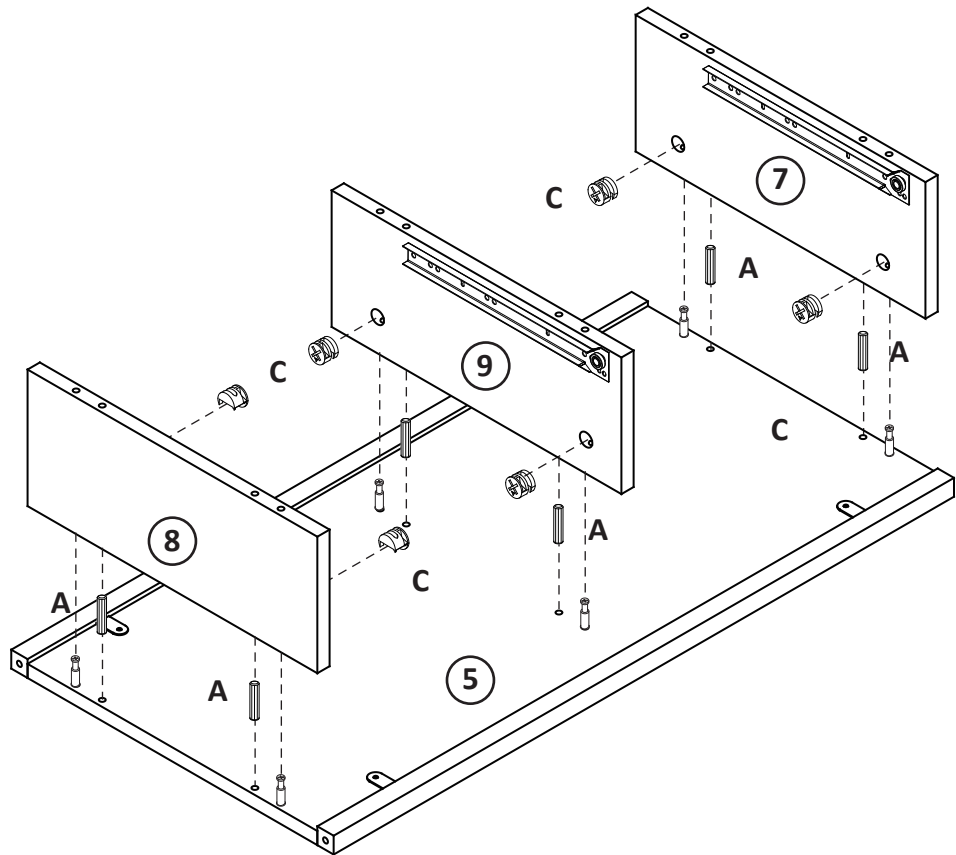


6.

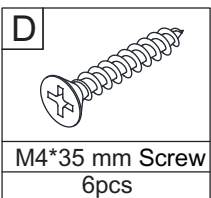
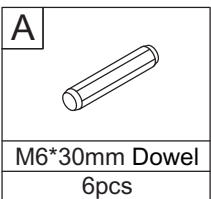
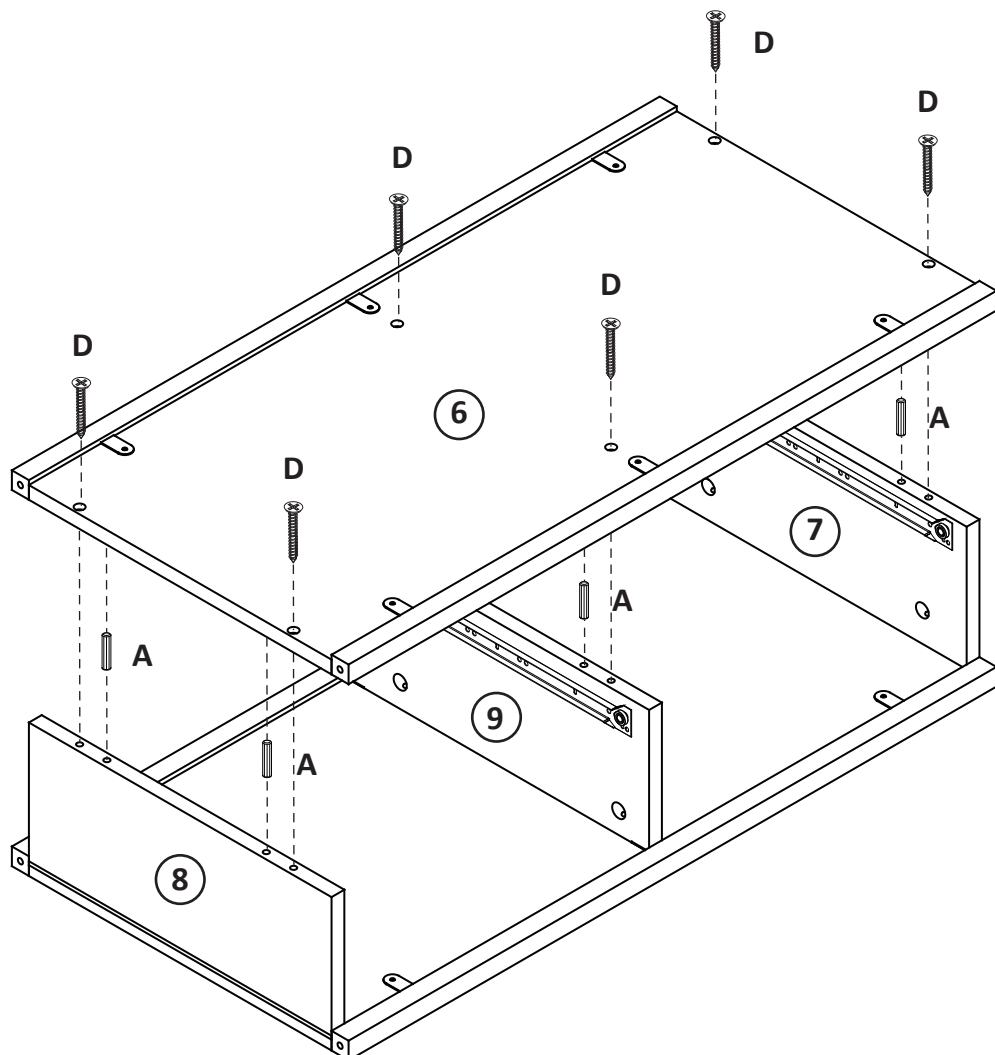




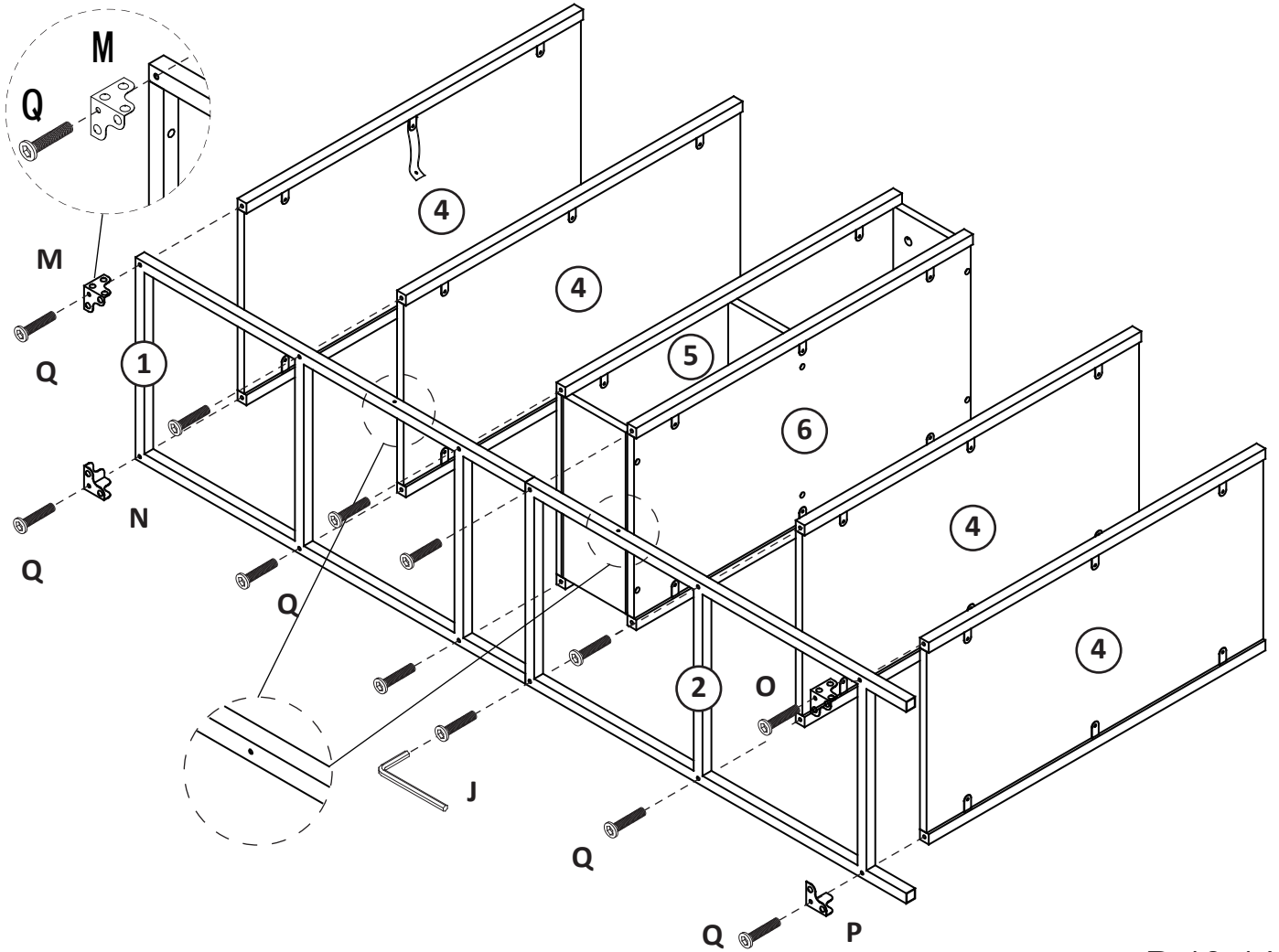
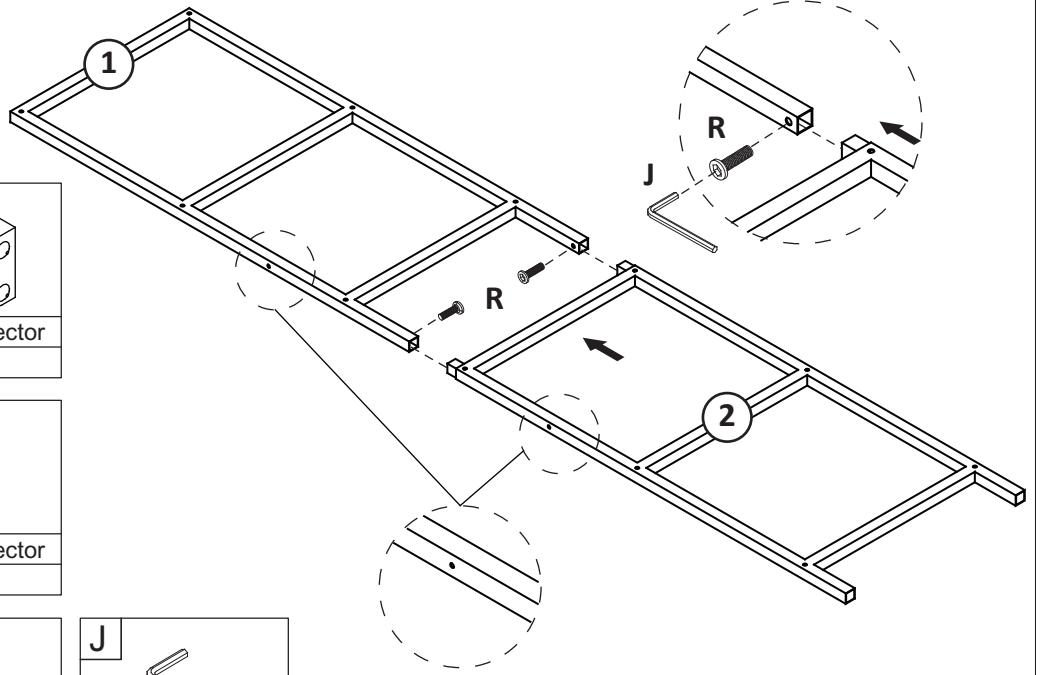
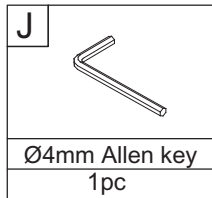
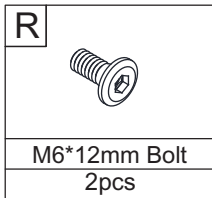
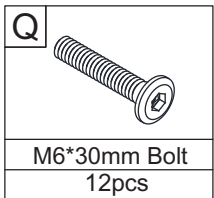
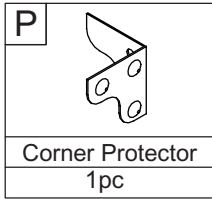
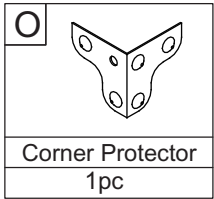
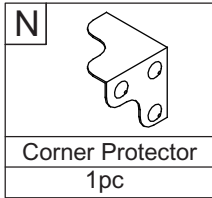
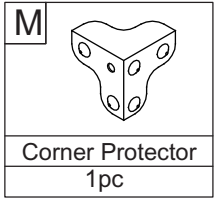
7.



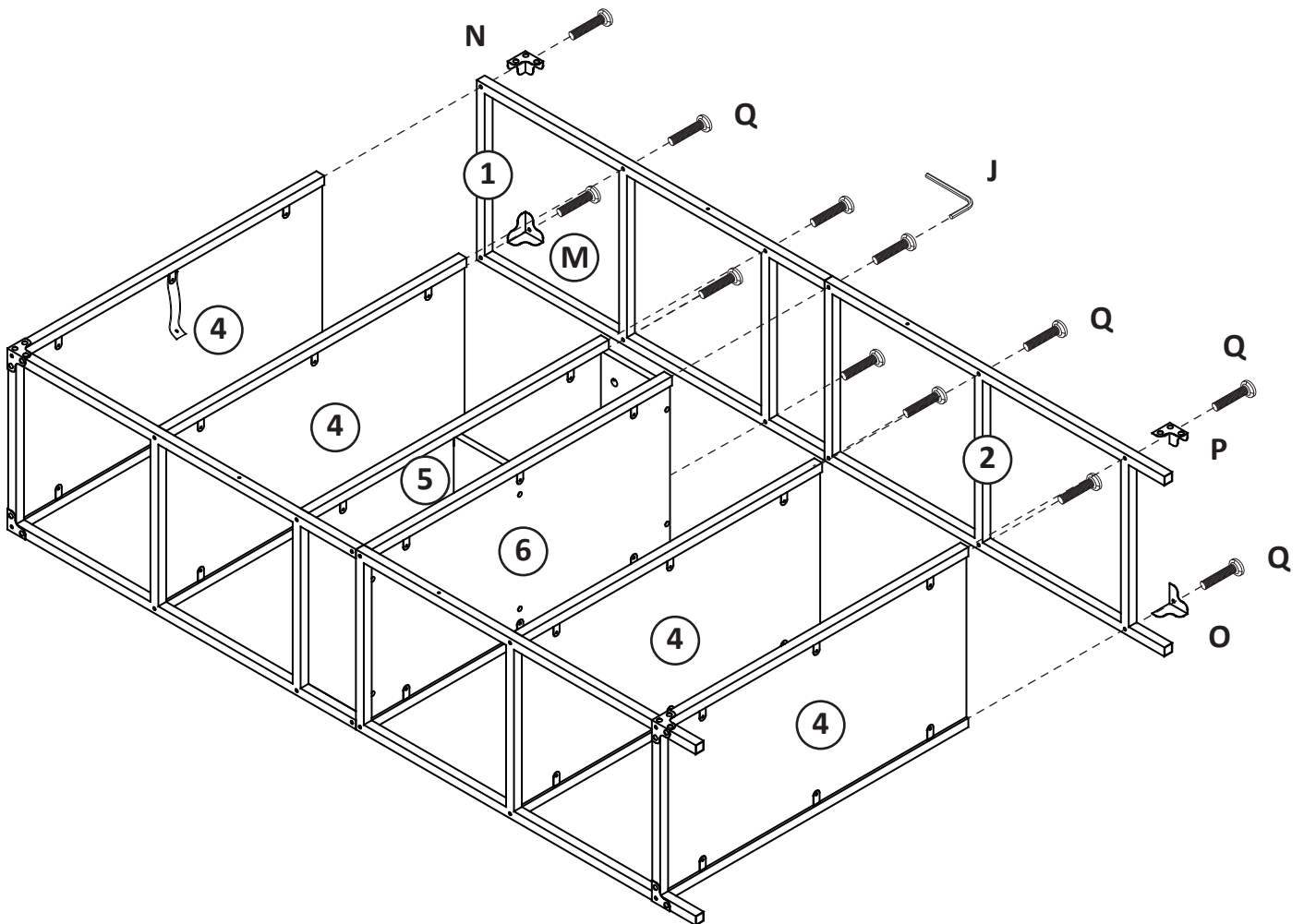
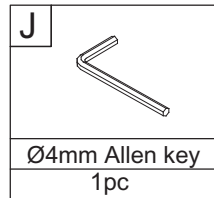
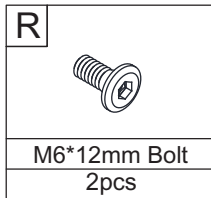
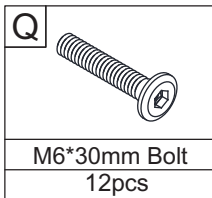
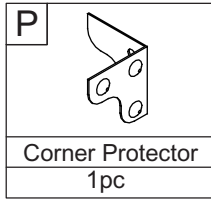
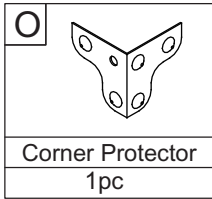
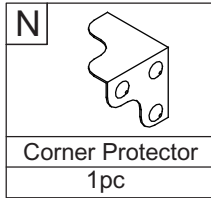
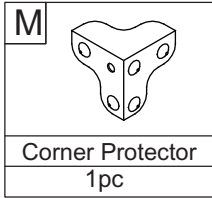
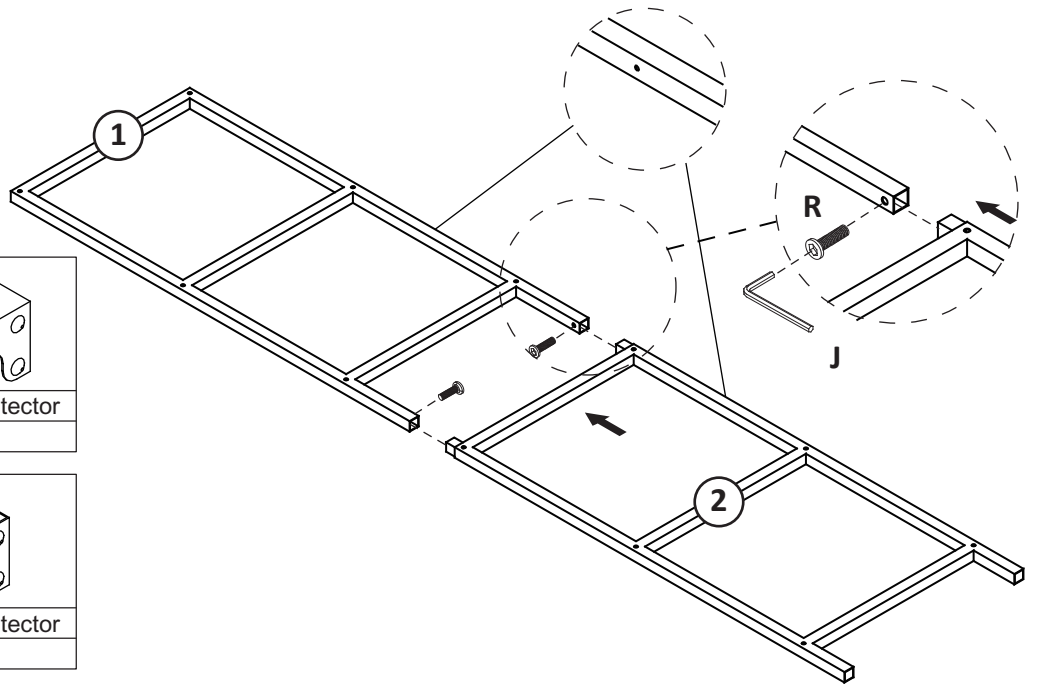
8.



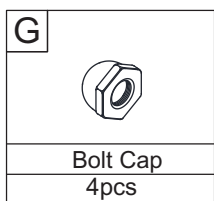
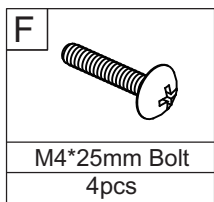
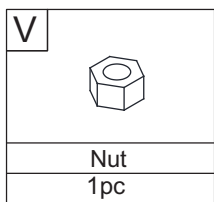
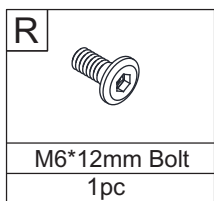
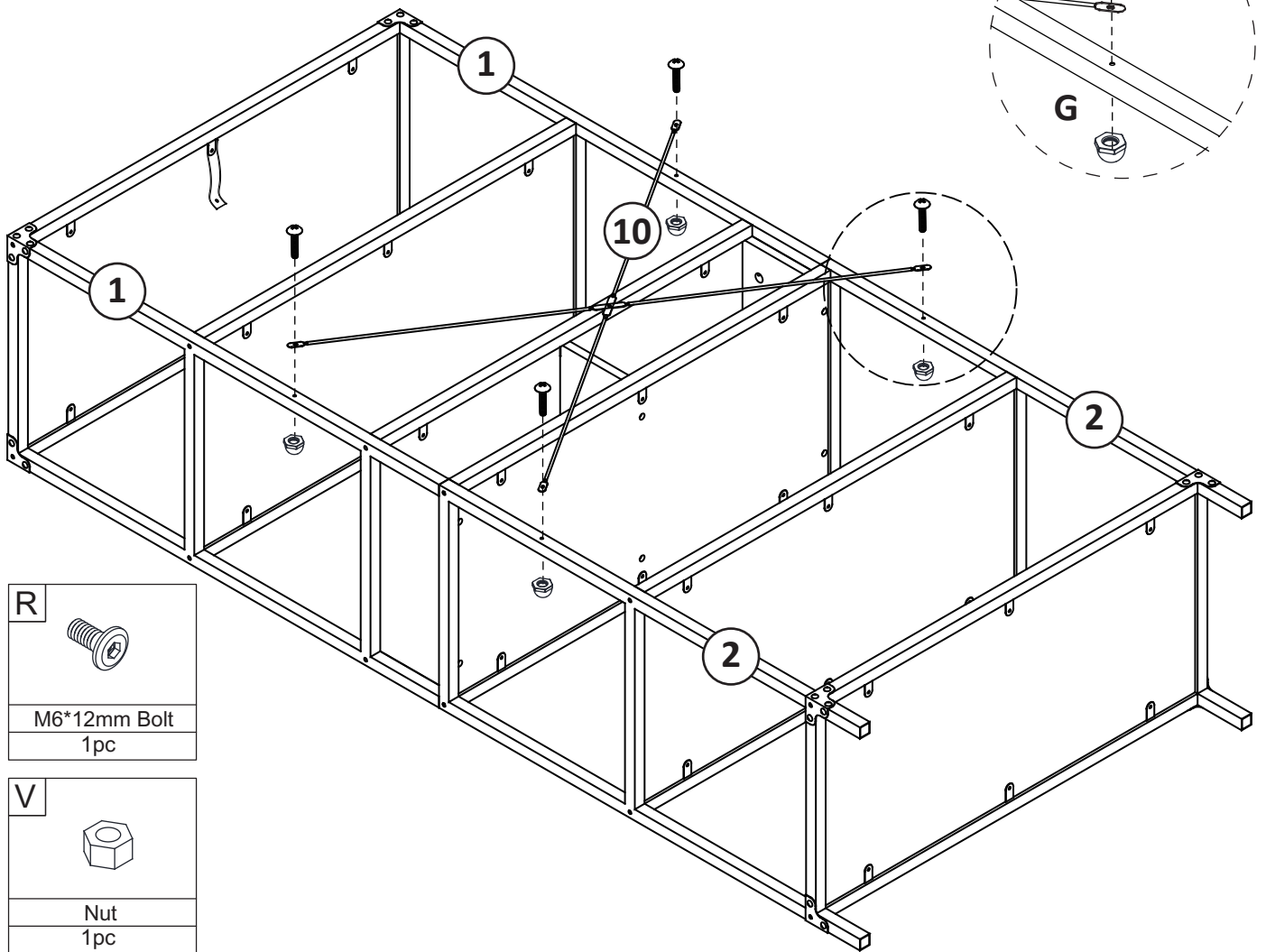
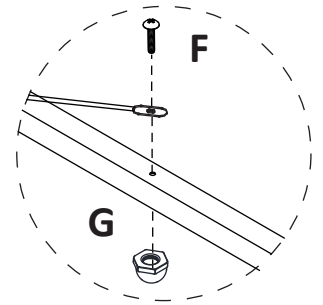
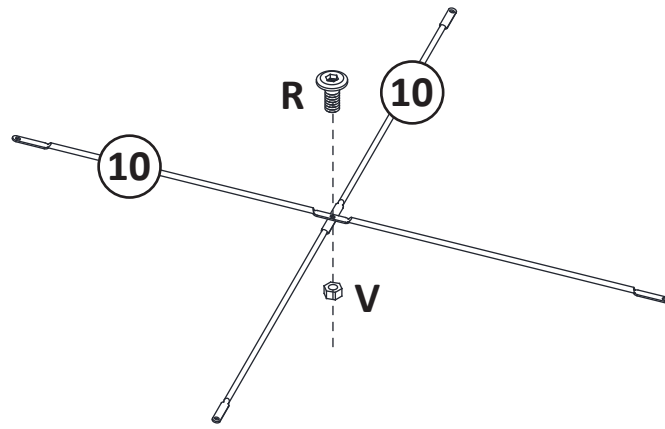
9.



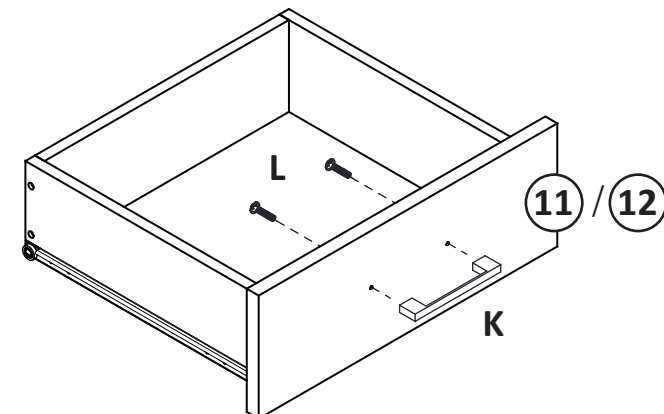
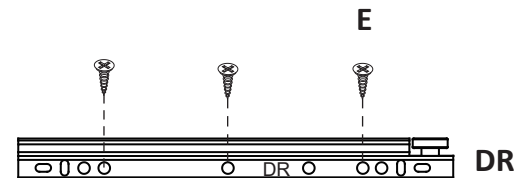
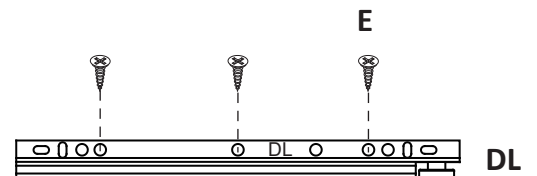
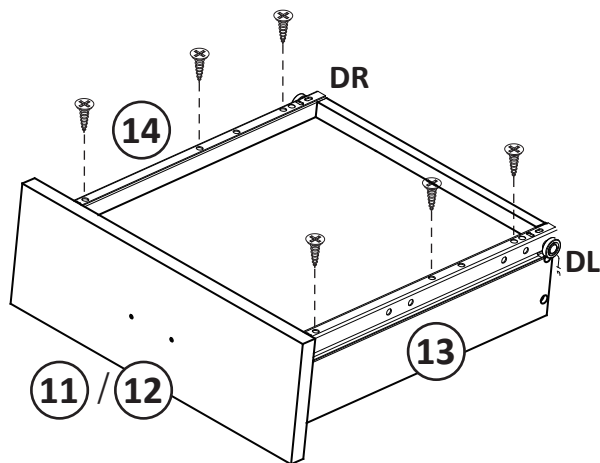
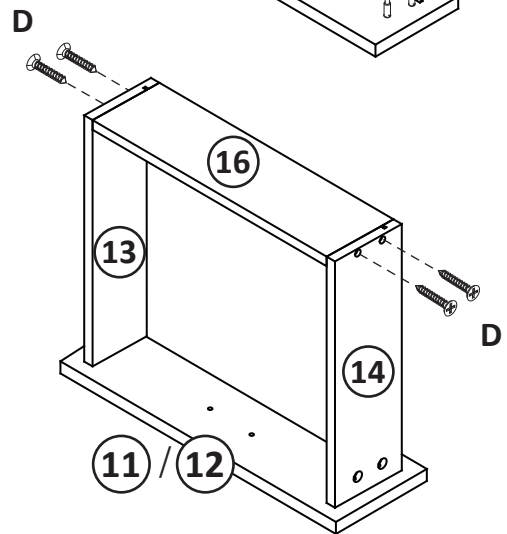
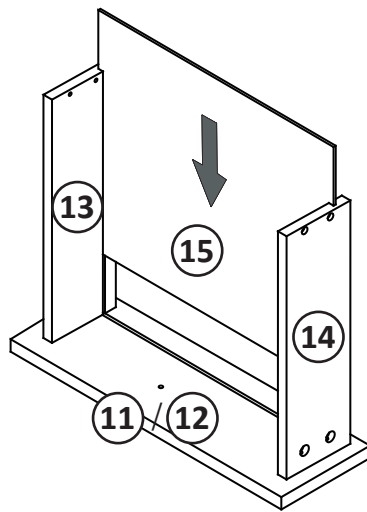
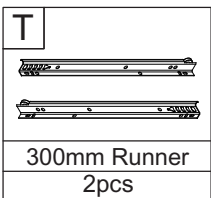
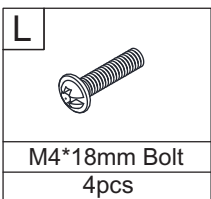
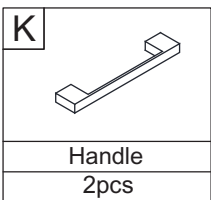
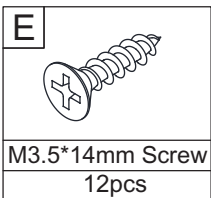
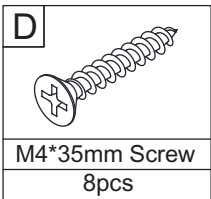
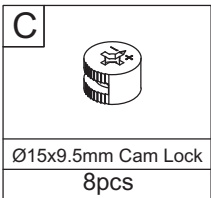
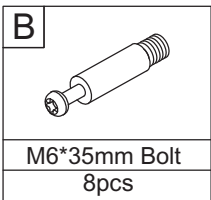
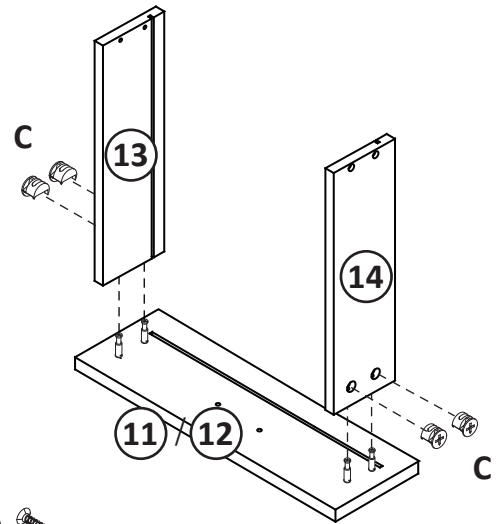
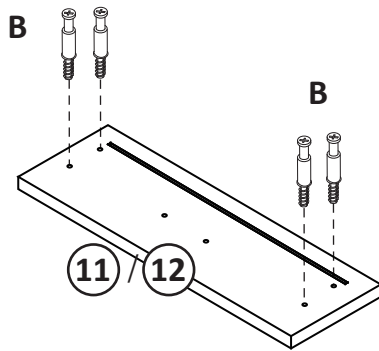
10.



11.



# 12.



**WARNING:** Please make the choice of screws according to your own wall for wall locking. In order to prevent overturning this product must be used with the wall attachment device provided.

