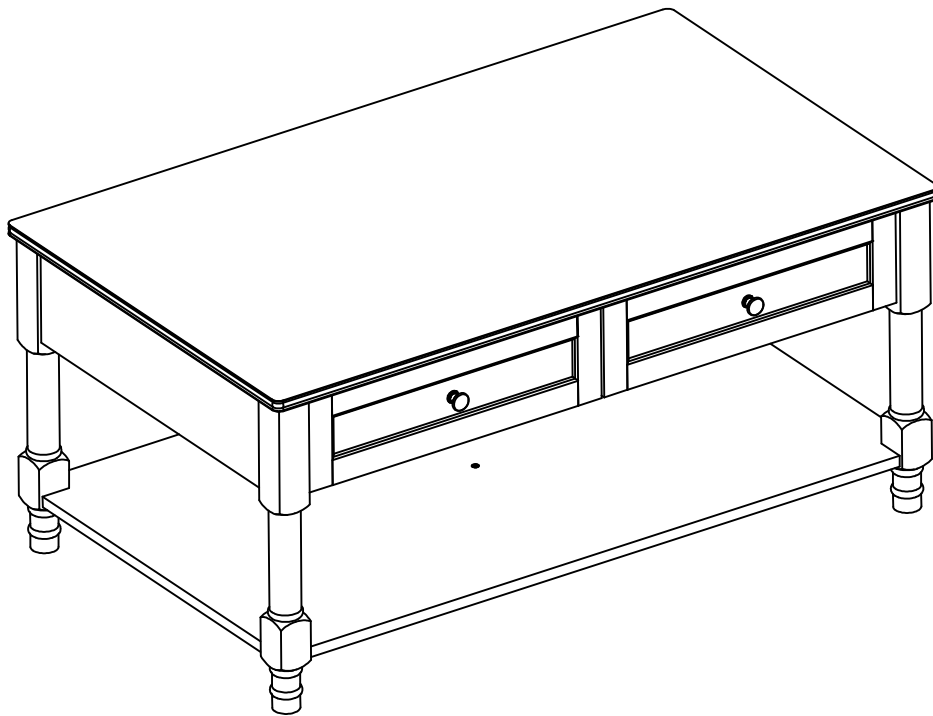
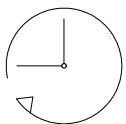


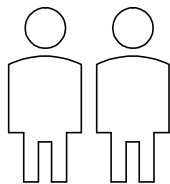
Coffee Table



THIS INSTRUCTION BOOKLET CONTAINS IMPORTANT SAFETY INFORMATION.
PLEASE READ AND KEEP FOR FUTURE REFERENCE.



Up to 45 minutes
assembly time



Two person
assembly

This product is intended for domestic use only, not for commercial purposes.

IMPORTANT

ASSEMBLY TIP

Before you begin, it's best to identify all of the parts and fittings to build your chest frame. We advise laying these out on the floor to check you have everything, and to familiarise yourself with all of the parts and fittings before building.

TOP TIP

We recommend that you assemble the chest in the room you'd like it to be located. This will help prevent any risk of damage to the frame whilst moving it.

SAFETY AND CARE

1. It's important to ensure children and animals are kept away from the assembly area, as there are small components used in this product which could present a choking hazard. All plastic and wrapping materials should also be kept away from children and animals to prevent any risk of suffocation.
2. Do not stand on your product.
3. Always use the item on firm level ground, ensuring all legs remain in contact with the ground.
4. Place heaviest items in the lowest drawers.
5. Do not set TV or other heavy objects on top of the product.
6. Children should always be under supervision whilst using this product. Never allow children to climb on the drawers.
7. Never keep more than one drawer open at the same time.
8. In order to prevent overturning, this product must be used with the wall attachment device provided.
9. Serious or fatal crushing injuries can occur from tipping furniture.

HELP AND SUPPORT

Please contact our customer service team on 0113 519 0311 if you have any questions or issues with your purchase.

RECYCLING

Please ensure that packaging is disposed of in a safe and environmentally friendly way, and recycle where possible. Please keep your assembly instructions safe to refer back to in the future.

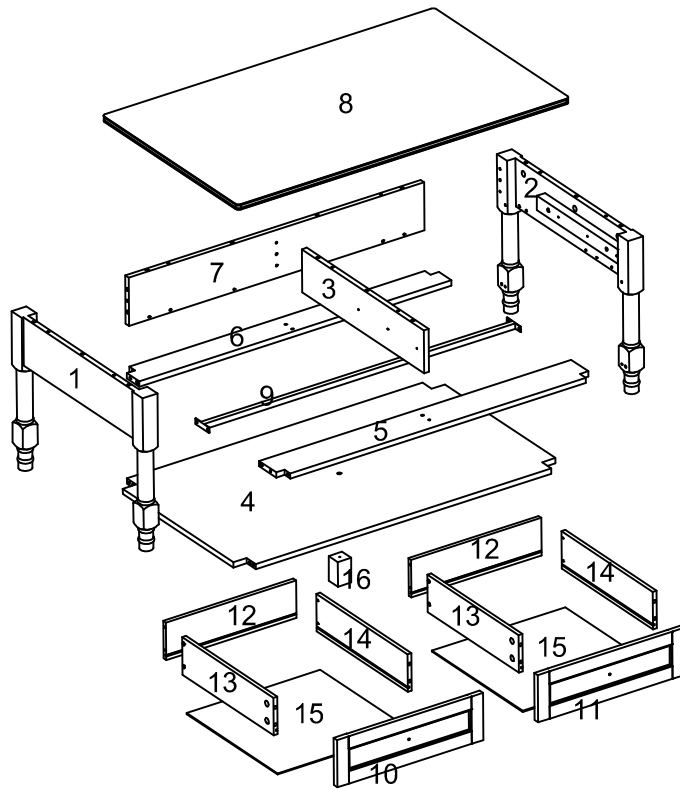
CARE AND MAINTENANCE

1. Only clean using a damp cloth, do not use bleach or abrasive cleaners as they may damage the finish over time.
2. Do not use a very wet cloth or allow any liquid to contact with the surface for a long period of time. Wipe any spillage immediately. Absorption can cause wood to warp or finishes to de-laminate.
3. Do not scrub or rub the surface when cleaning.
4. Do not drag the chest when moving, lift it off the floor instead.
5. Use a placemat or a coaster when putting hot items (e.g. hot drinks and dishes) on the wood surface.
6. It is not recommended to place the item next to sources of heat such as radiators, fires or directly exposed to sunlight. This may cause the wood to crack, split or fade due to the heat and humidity.
7. Wood will mellow and change colour over time, we recommend that ornaments and items placed on the surface to be moved regularly to prevent uneven mellowing.
8. Regularly check all fixings to ensure none have come loose. Re-tighten if necessary.
9. Avoid sharp items such as a screwdriver or any pointy tools.

Parts list

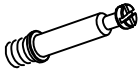










Before you begin building your chest, please take a moment to read through the instructions and make sure that you have all the relevant parts listed on the parts check list.

Part Number	Part Description	Quantity
1	Left Side Panel	1 pc
2	Right Side Panel	1 pc
3	Middle Panel	1 pc
4	Bottom Panel	1 pc
5	Front Support Bar	1 pc
6	Back Support Bar	1 pc
7	Back Panel	1 pc
8	Top Panel	1 pc
9	Support Bar	1 pc
10	Left Drawer Front	1 pc
11	Right Drawer Front	1 pc
12	Drawer Back Side	2 pcs
13	Drawer Left Side	2 pcs
14	Drawer Right Side	2 pcs
15	Drawer Bottom	2 pcs
16	Centre Leg	1 pc

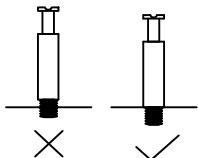


Fittings

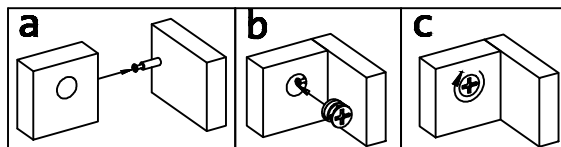
Please check you have all the fittings listed below with your product.

<p>A</p>  <p>M6*35mm Cam Lock Screw 37pcs+4pcs extra</p>	<p>B</p>  <p>Ø15*9mm Cam Lock 37pcs+4pcs extra</p>	<p>C</p>  <p>Ø6*30mm Dowel 23pcs+2pcs extra</p>	<p>D</p>  <p>M4*40mm Screw 9pcs+1pc extra</p>	<p>E</p>  <p>M3*12mm Screw 24pcs+2pcs extra</p>	<p>F</p>  <p>Slide Rail 4 sets</p>
<p>G</p>  <p>Knob 2pcs</p>	<p>H</p>  <p>M4*8mm Bolt 2pcs</p>	<p>I</p>  <p>Cover 9pcs+1pc extra</p>	<p>J</p>  <p>M4*35mm Screw 8pcs+1pc extra</p>	<p>K</p>  <p>Felt Mat 5pcs</p>	

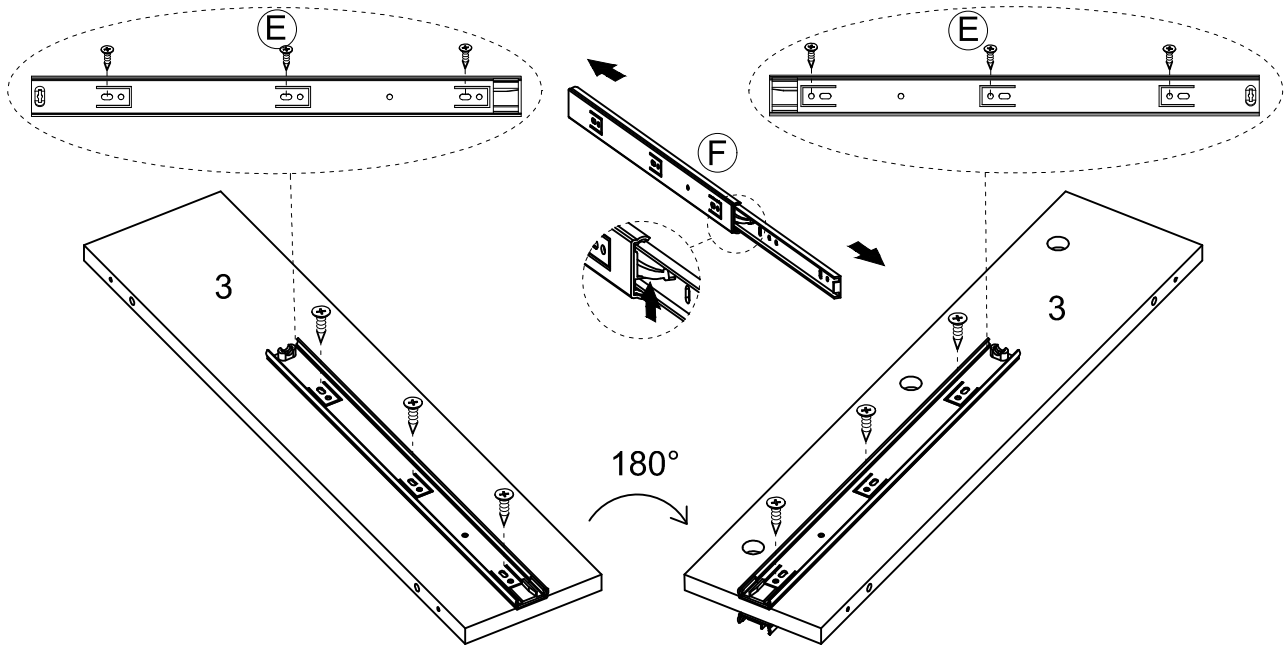
Ensure the cam lock screws are installed correctly, as indicated by the "check mark" below.


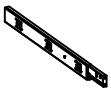


Refer to the illustration below to correctly use the cam lock screws for assembling the panels.

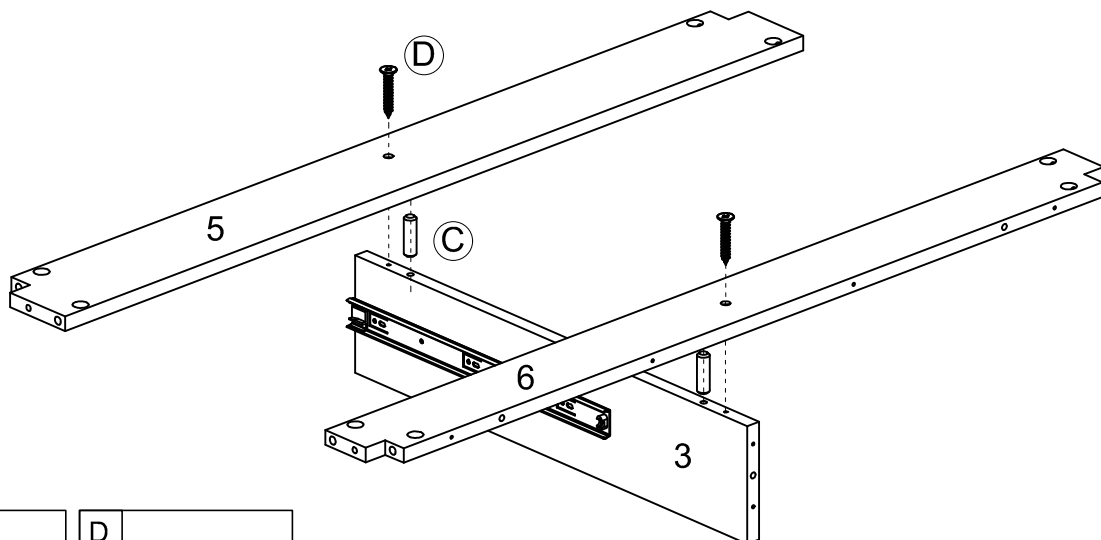




1. Attach the fitting and Slide Rail to the Middle Panel (3).



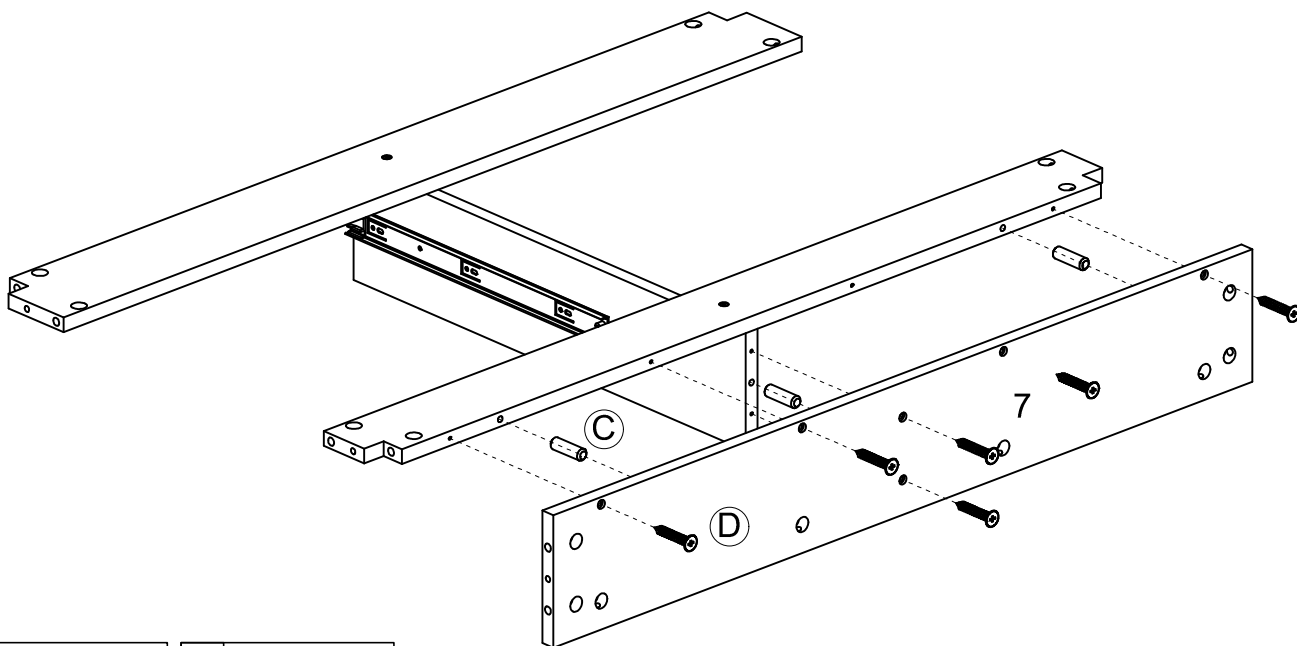
<p>E</p> 	<p>F</p> 
<p>M3*12mm Screw 6pcs</p>	<p>Slide Rail 2pcs</p>



2. Attach parts (5, 6) to Middle Panel (3) .



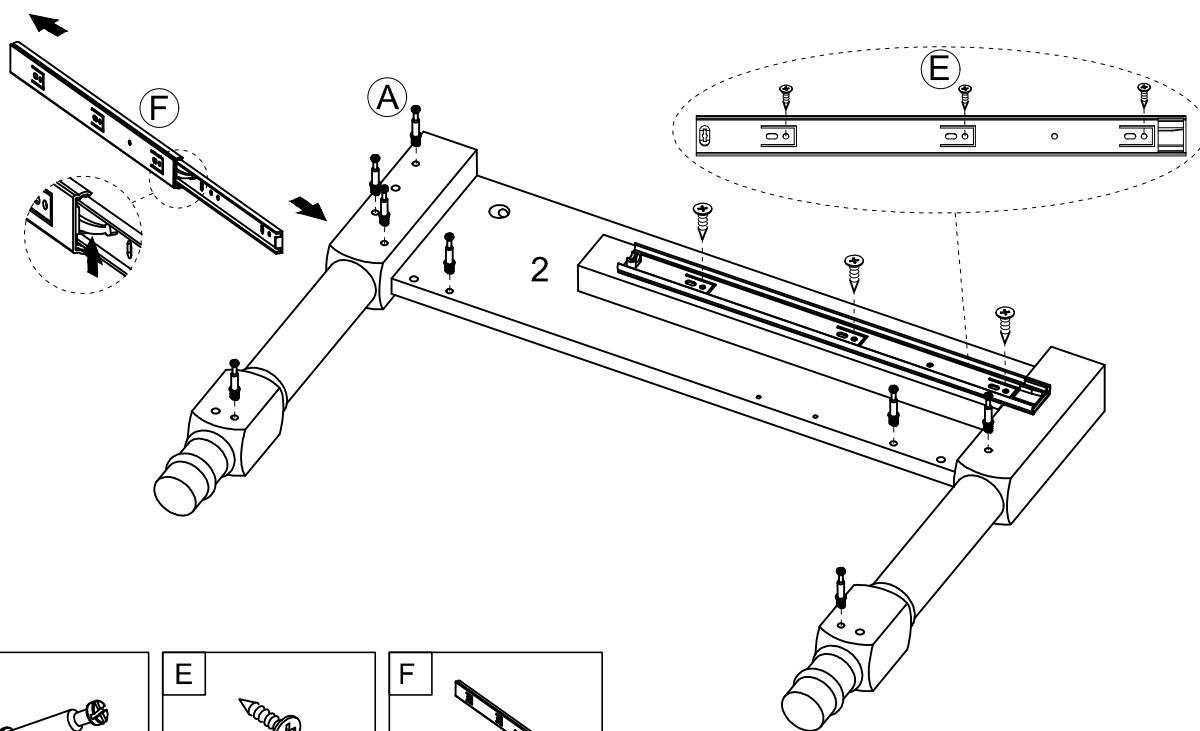
<p>C</p> 	<p>D</p> 
<p>Ø6*30mm Dowel 2pcs</p>	<p>M4*40mm Screw 2pcs</p>

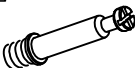


3. Attach Back Panel (7) to the Frame.



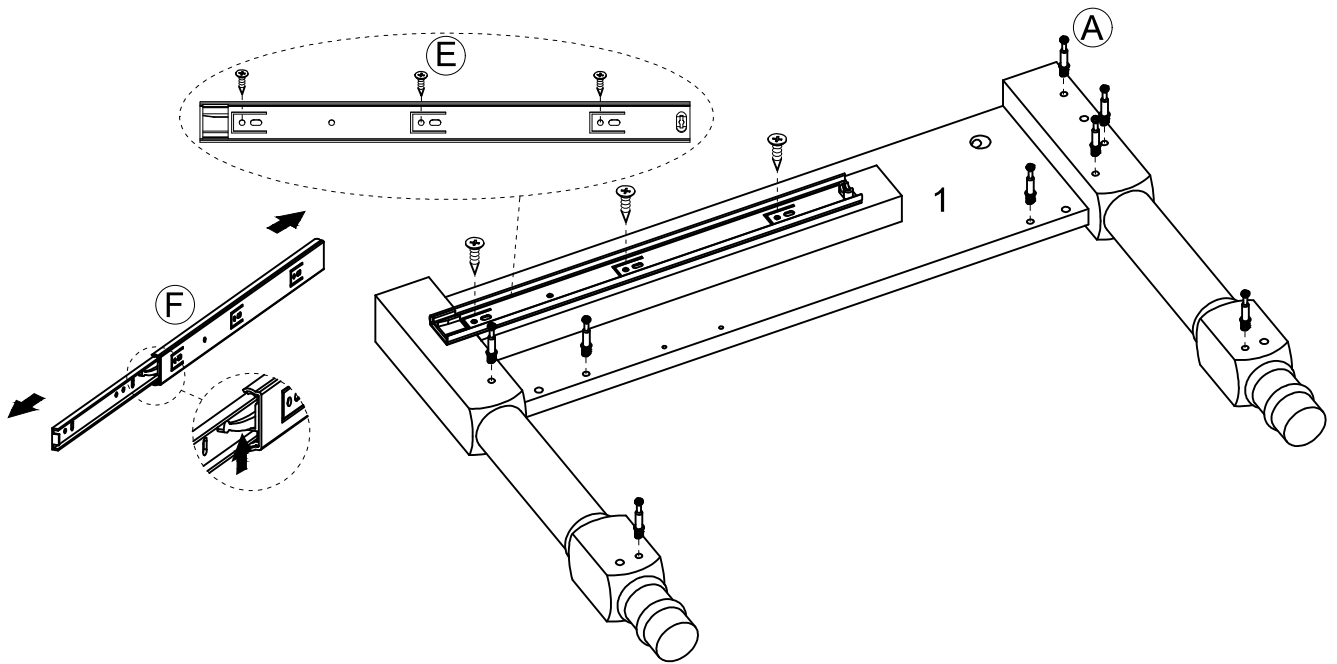
<p>C</p> 	<p>D</p> 
<p>Ø6*30mm Dowel 3pcs</p>	<p>M4*40mm Screw 6pcs</p>

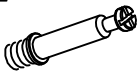


4. Attach the fittings and Slide Rail to the Right Side Panel (2).



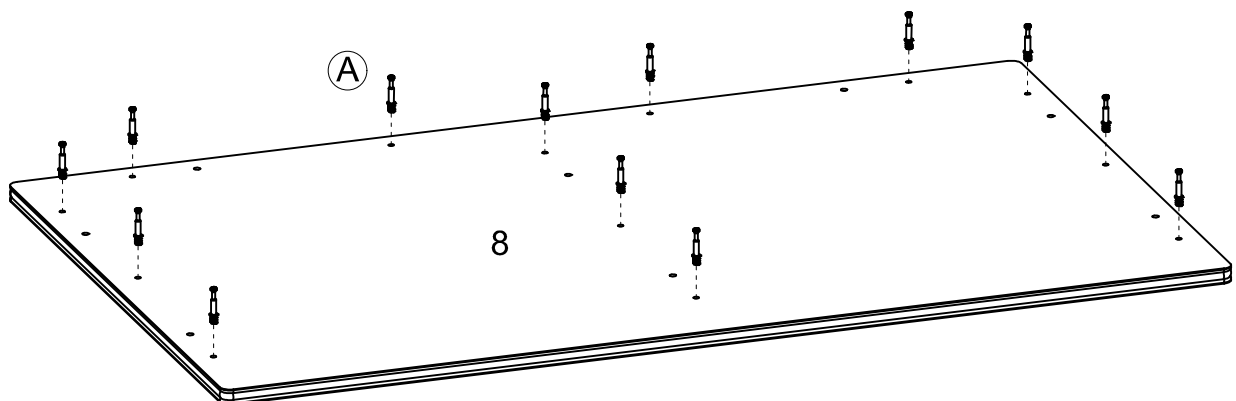
<p>A</p> 	<p>E</p> 	<p>F</p> 
<p>M6*35mm Cam Lock Screw 8pcs</p>	<p>M3*12mm Screw 3pcs</p>	<p>Slide Rail 1pc</p>

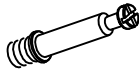
5. Attach the fittings and Slide Rail to the Left Side Panel (1).



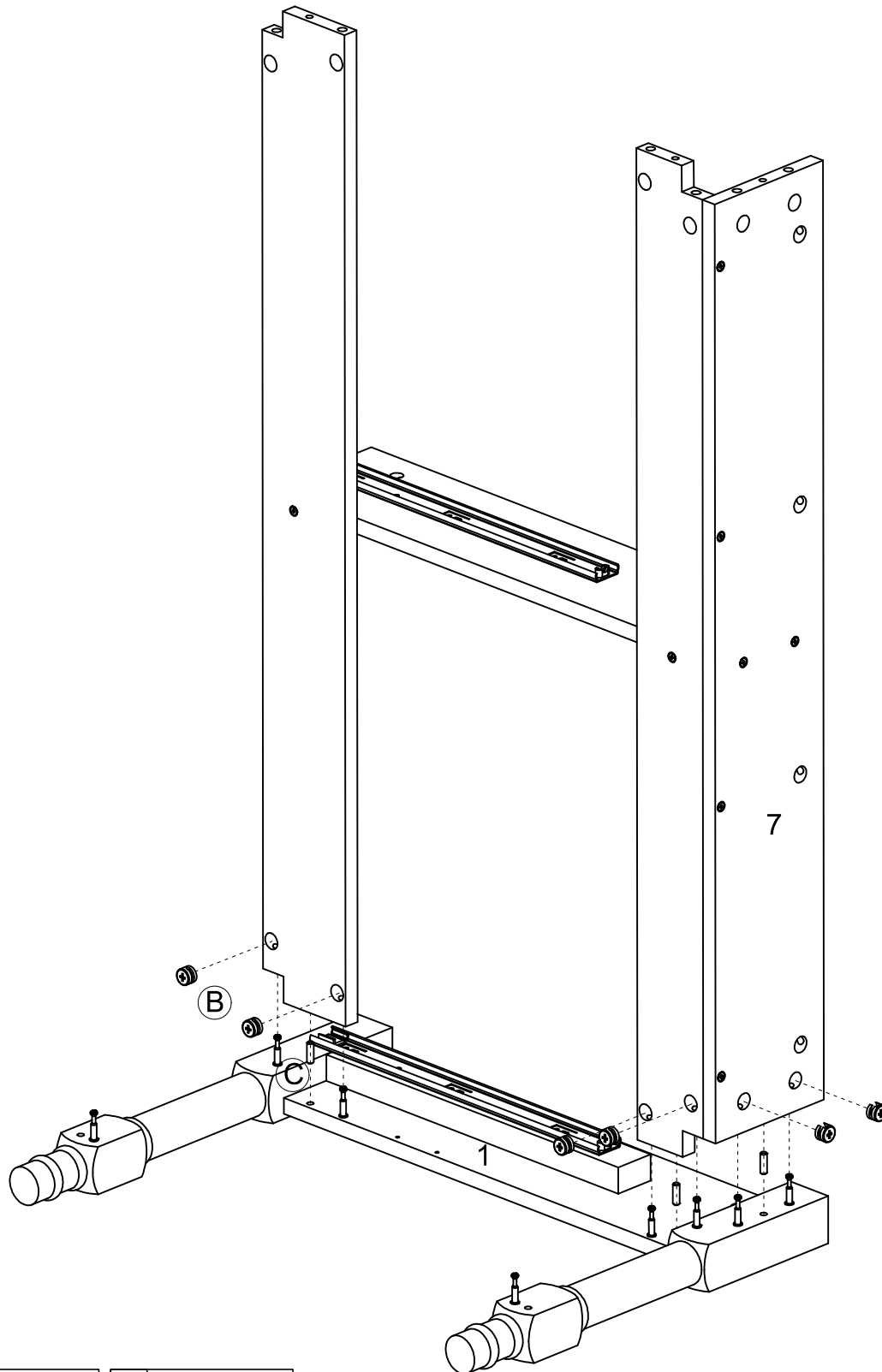
<p>A</p> 	<p>E</p> 	<p>F</p> 
<p>M6*35mm Cam Lock Screw 8pcs</p>	<p>M3*12mm Screw 3pcs</p>	<p>Slide Rail 1pc</p>



6. Attach the Cam Bolt to the Top Panel (8).



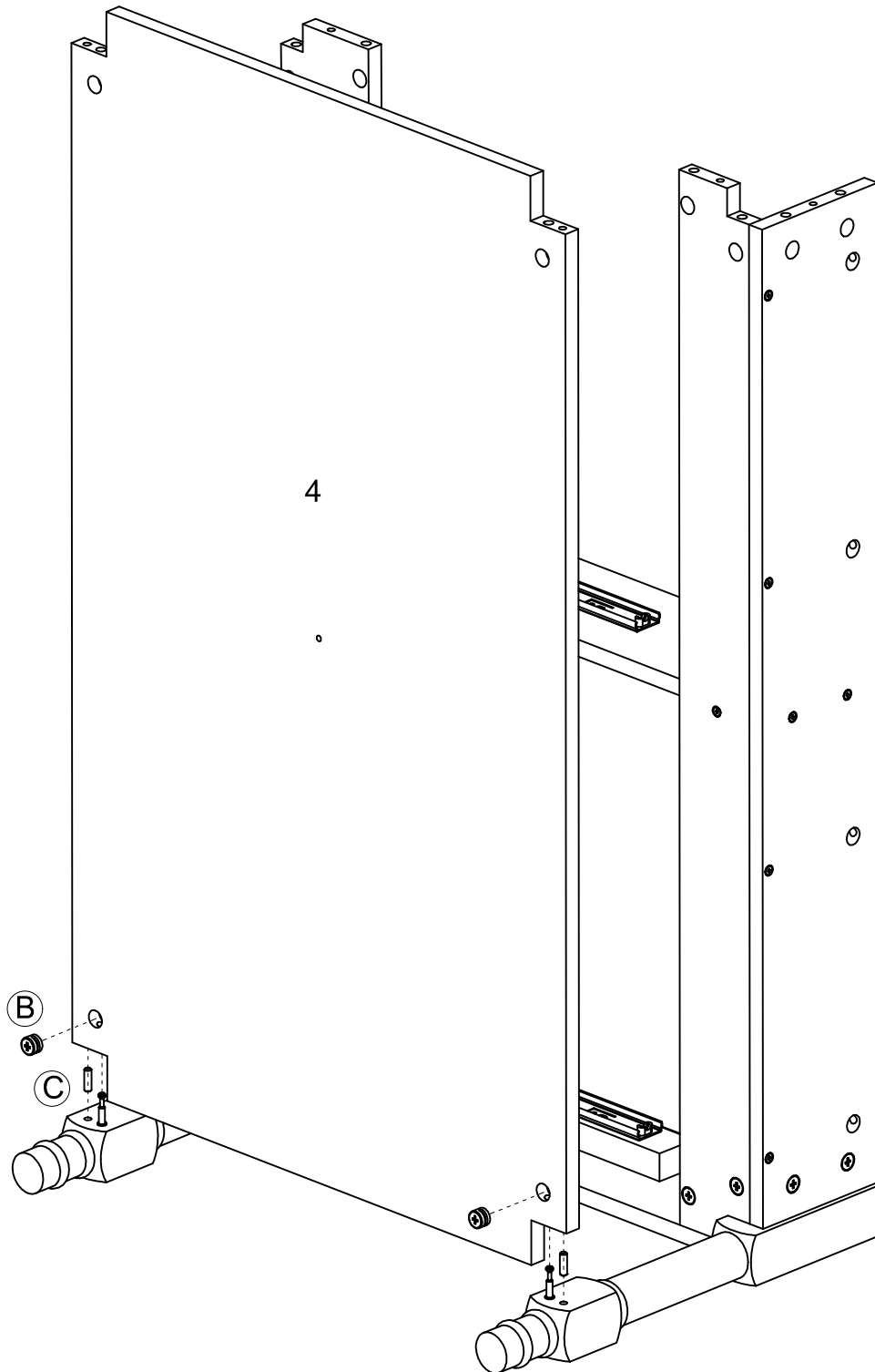
<p>A</p> 
<p>M6*35mm Cam Lock Screw 13pcs</p>


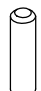
7. Attach the Left Side Panel (1) to the Frame.



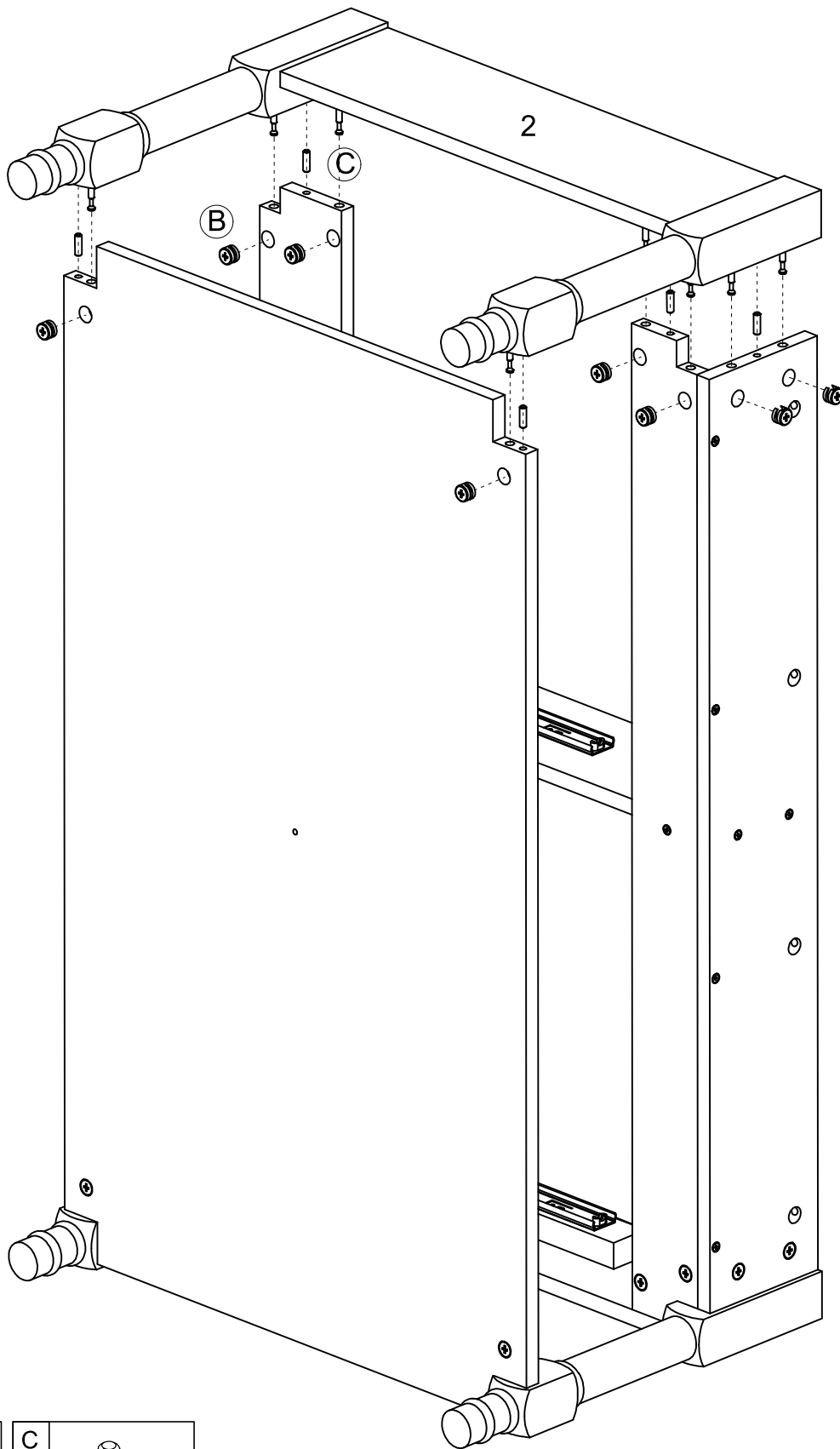
B 	C 
Ø15*9mm Cam Lock 6pcs	Ø6*30mm Dowel 3pcs


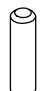
8. Attach the Bottom Panel (4) to the Frame.



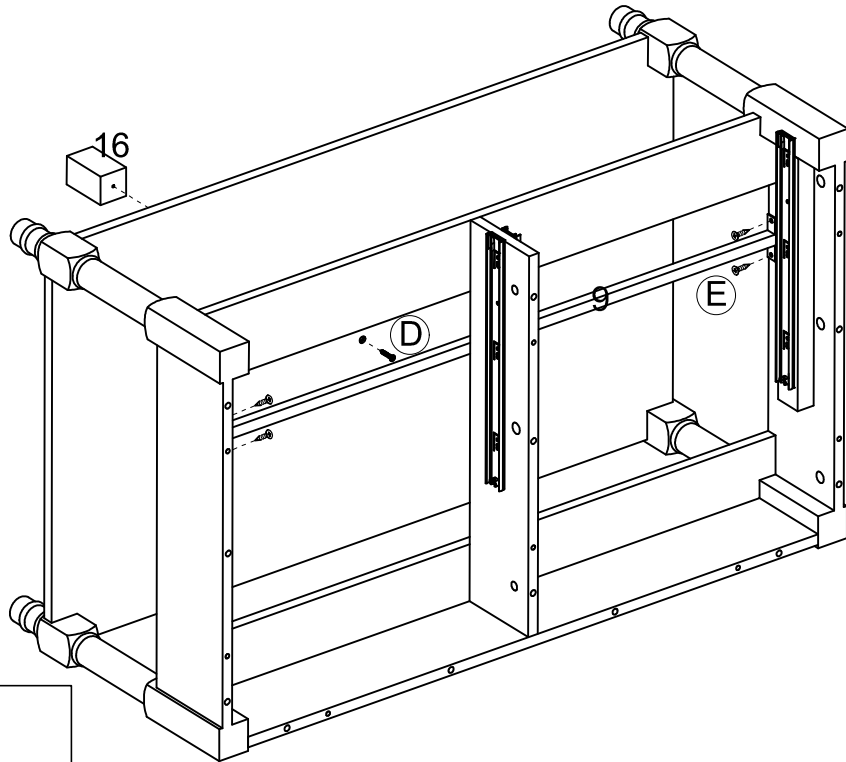
B 	C 
Ø15*9mm Cam Lock 2pcs	Ø6*30mm Dowel 2pcs



9. Attach the Right Side Panel (2) to the Frame.



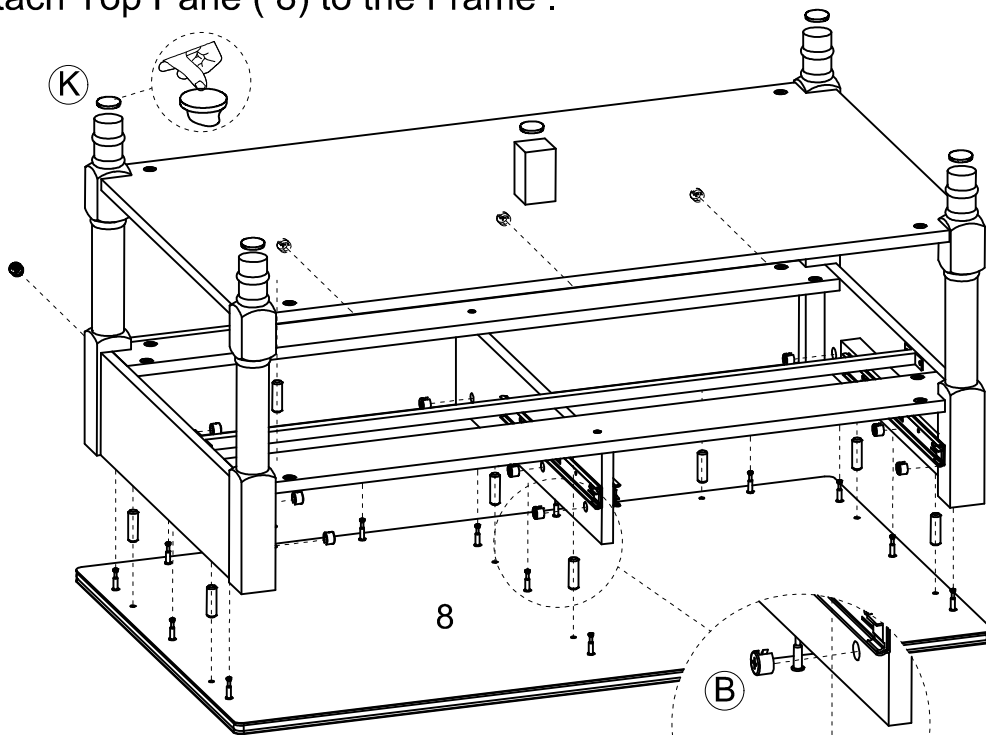
B 	C 
Ø15*9mm Cam Lock 8pcs	Ø6*30mm Dowel 5pcs




10. Attach parts (9, 16) to the Frame .



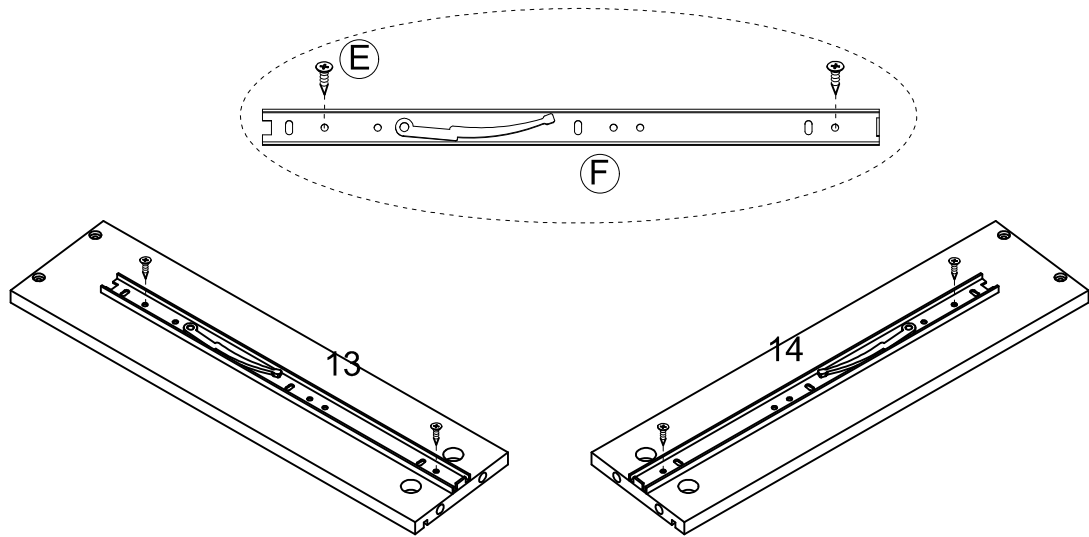
D	E
	
M4*40mm Screw	M3*12mm Screw
1pc	4pcs

11. Attach Top Pane (8) to the Frame .





B	C	K
		
Ø15*9mm Cam Lock	Ø6*30mm Dowel	Felt Mat
13pcs	8pcs	5pcs

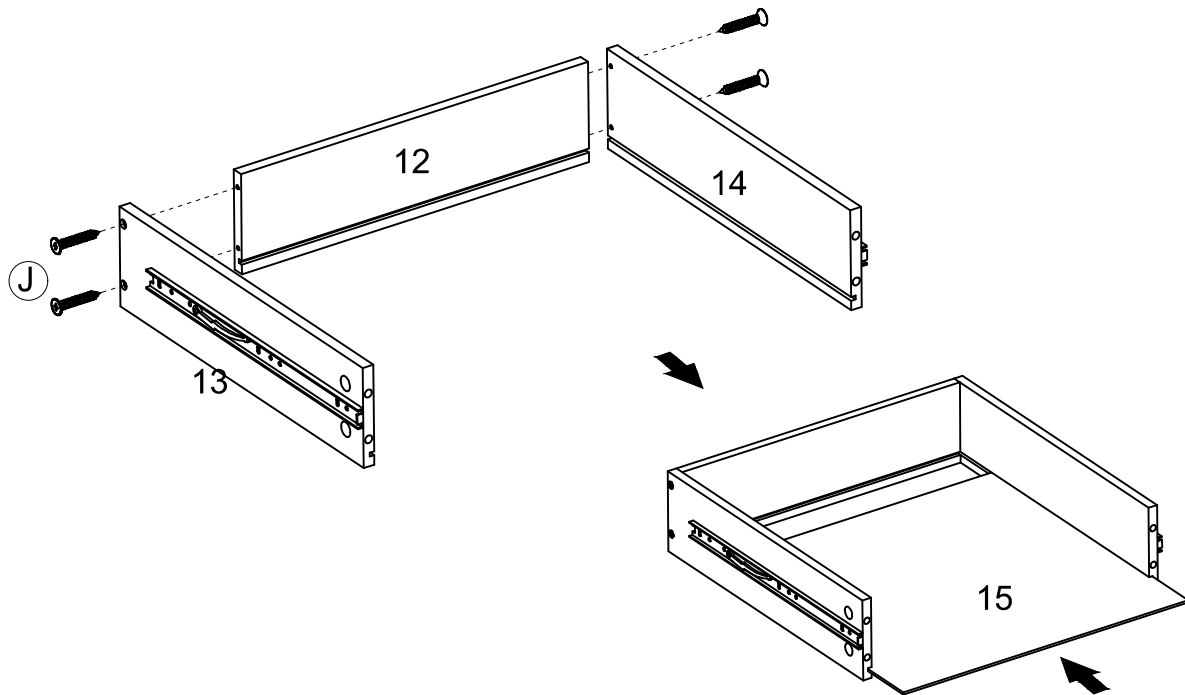
12. Attach the Slide Rail to the Drawer Left Side (13) and Drawer Right Side (14).




X2

E 	F 
M3*12mm Screw 8pcs	Slide Rail 4pcs

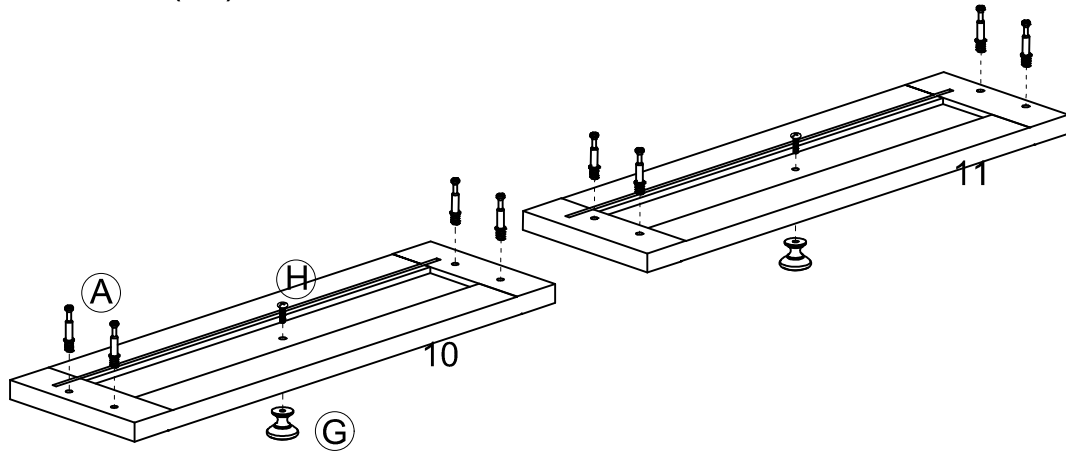
13. Attach the Drawer.

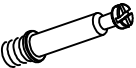




X2

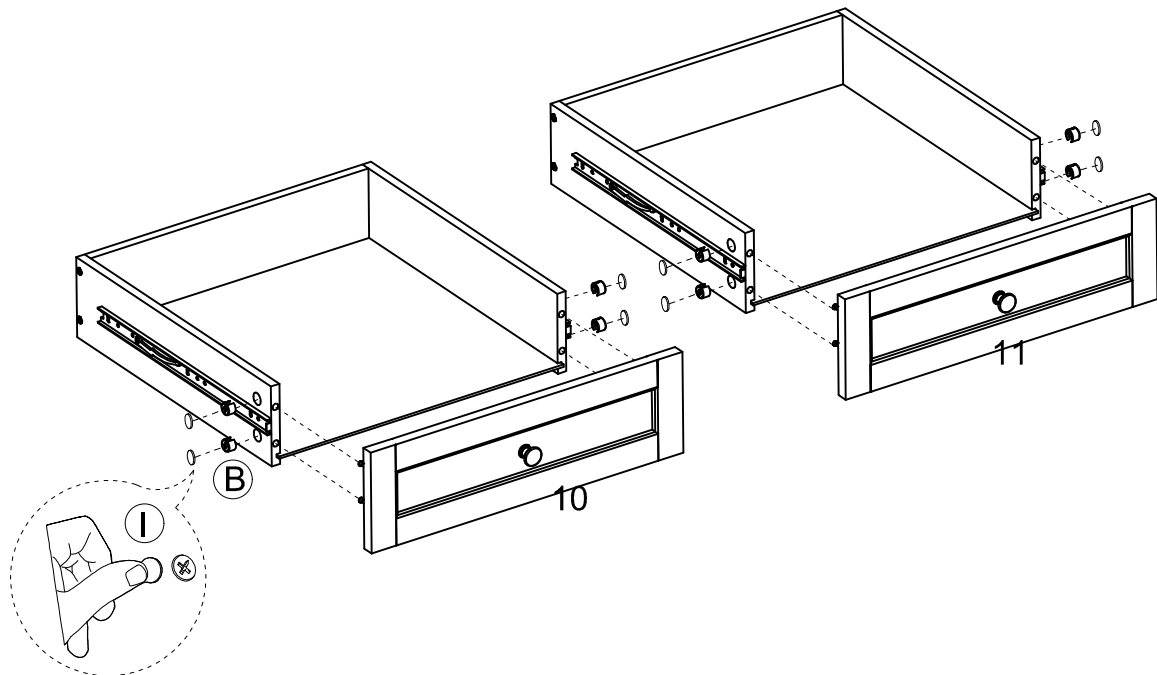
J 
M4*35mm Screw 8pcs



14. Attach the Fittings and Handles to the Left Drawer Front (10) and Right Drawer Front (11).



<p>A</p> 	<p>G</p> 	<p>H</p> 
<p>M6*35mm Cam Lock Screw 8pcs</p>	<p>Knob 2pcs</p>	<p>M4*8mm Bolt 2pcs</p>

15. Attach the Drawer Front (10,11) to the Frame.



<p>B</p> 	<p>I</p> 
<p>Ø15*9mm Cam Lock 8pcs</p>	<p>Cover 8pcs</p>

16. Slide the drawer into the Frame.

