

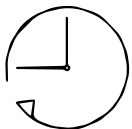
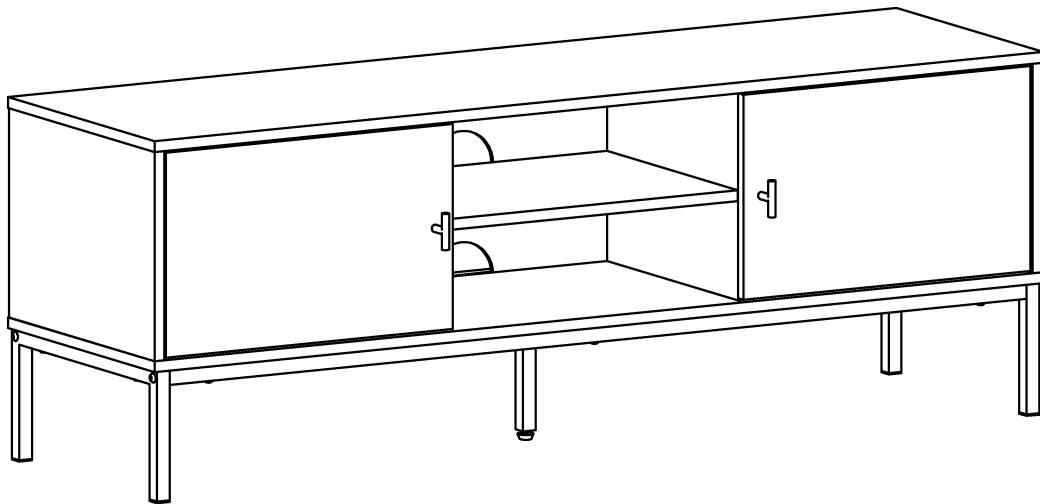
DUSK.COM

LIVING | BEDROOM | DINING

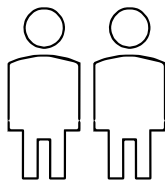
Range Name: Willow

Box dimensions: L154.5xW47.5xH10.5(cm)

Willow TV Unit



Up to 45 minutes
assembly time



Two person
assembly

This product is intended for domestic use only, not for commercial purposes.

IMPORTANT

ASSEMBLY TIP

Before you begin, it's best to identify all of the parts and fittings to build your Willow TV Unit frame. We advise laying these out on the floor to check you have everything, and to familiarise yourself with all of the parts and fittings before building.

TOP TIP

We recommend that you assemble the Willow TV Unit in the room you'd like it to be located. This will help prevent any risk of damage to the frame whilst moving it.

SAFETY AND CARE

It's important to ensure children and animals are kept away from the assembly area, as there are small components used in this product which could present a choking hazard. All plastic and wrapping materials should also be kept away from children and animals to prevent any risk of suffocation.

HELP AND SUPPORT

Please contact our customer service team on 0113 519 0311 if you have any questions or issues with your purchase.

RECYCLING

Please ensure that packaging is disposed of in a safe and environmentally friendly way, and recycle where possible. Please keep your assembly instructions safe to refer back to in the future.

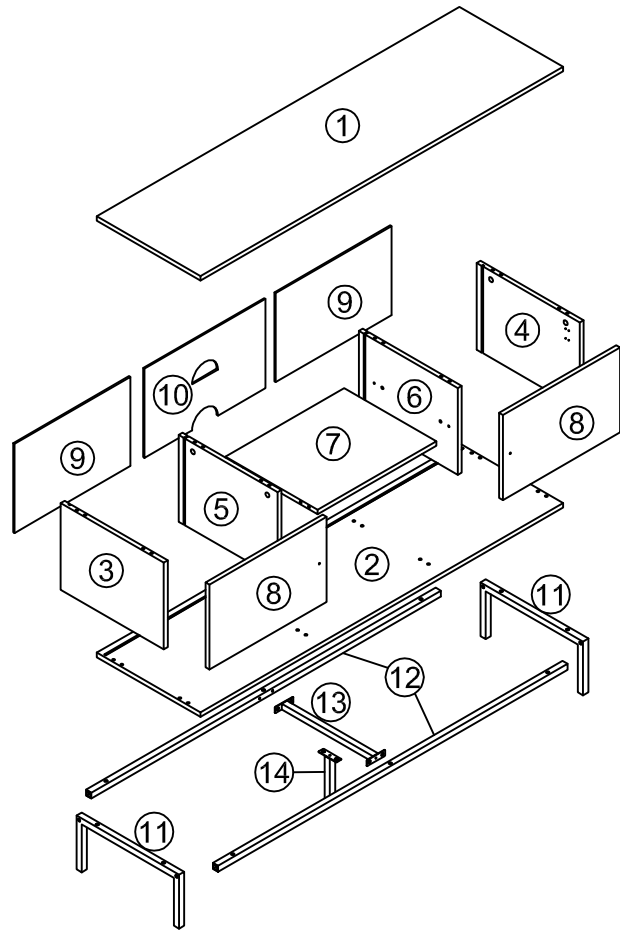
CARE AND MAINTENANCE:

1. Only clean using a damp cloth, do not use bleach or abrasive cleaners as they may damage the finish over time.
2. Do not use a very wet cloth or allow any liquid to contact with the veneer for a long period of time. Wipe any spillage immediately. Absorption can cause wood to warp or finishes to de-laminate.
3. Do not scrub or rub the surface when cleaning.
4. Do not drag the Willow TV Unit when moving, lift it off the floor instead.
5. Use a placemat or a coaster when putting hot items (e.g. hot drinks and dishes) on the wood surface.
6. It is not recommended to place the item next to sources of heat such as radiators, fires or directly exposed to sunlight. This may cause the wood to crack, split or fade due to the heat and humidity.
7. Wood will mellow and change colour over time, we recommend that ornaments and items placed on the surface to be moved regularly to prevent uneven mellowing.
8. Regularly check all fixings to ensure none have come loose. Re-tighten if necessary.
9. Avoid sharp items such as a screwdriver or any pointy tools.
10. Dispose of all packaging carefully and responsibly - recycle where possible.

Parts list









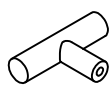

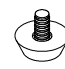
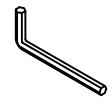
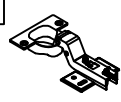

Before you begin building your Willow TV Unit , please take a moment to read through the instructions and make sure that you have all the relevant parts listed on the parts check list.

Part Number	Part Description	Quantity
①	TV Unit Top	1 pc
②	Bottom Panel	1 pc
③	Left Side Panel	1 pc
④	Right Side Panel	1 pc
⑤	Left Middle Panel	1 pc
⑥	Right Middle Panel	1 pc
⑦	Shelf Panel	1 pc
⑧	Door Panel	2 pcs
⑨	Back Panel	2 pcs
⑩	Middle Back Panel	1 pc
⑪	Leg	2 pcs
⑫	Leg Side Support	2 pcs
⑬	Leg Centre Support	1 pc
⑭	Centre Leg	1 pc

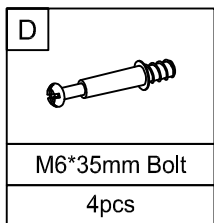
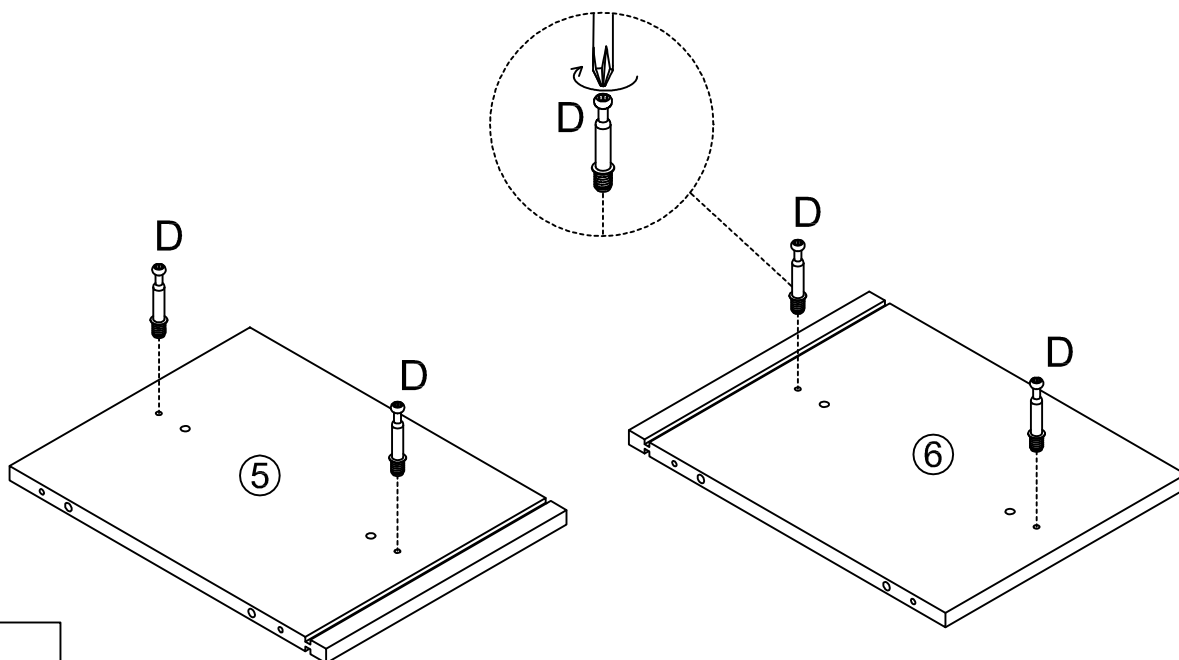


Fittings

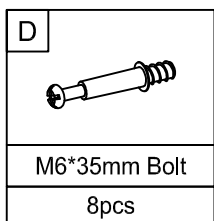
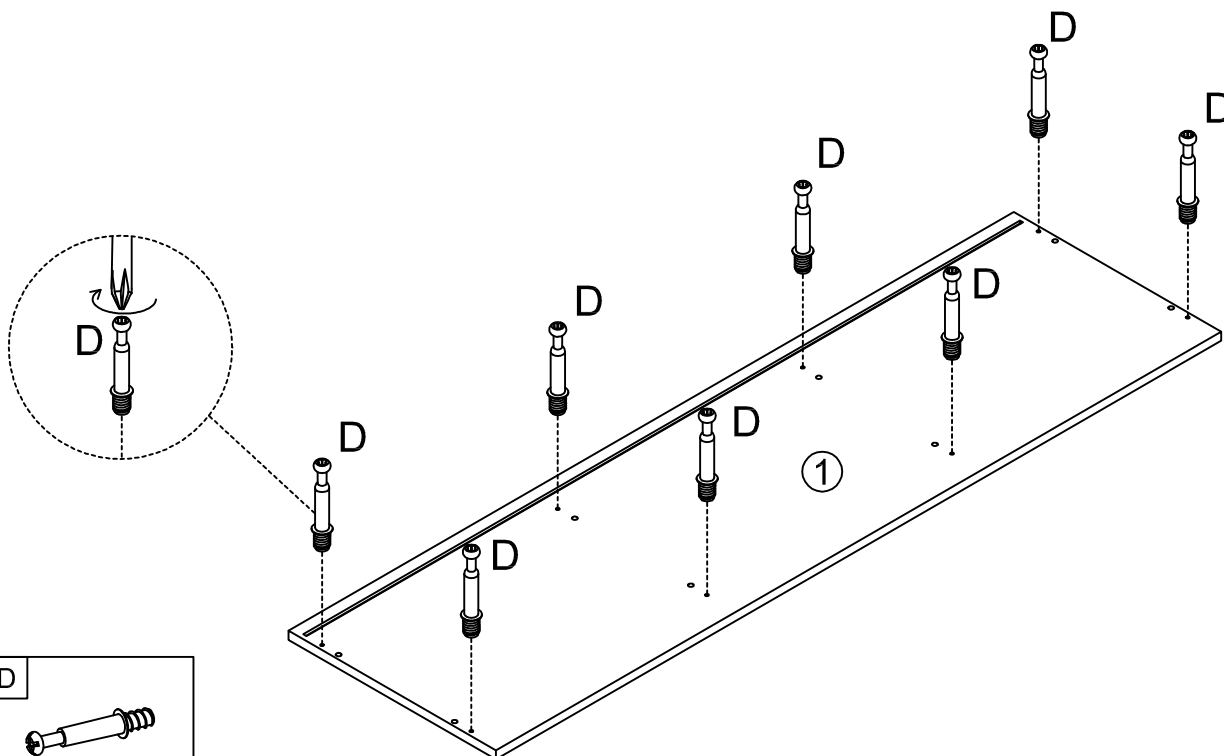
Please check you have all the fittings listed below with your product.

 M6*12mm Bolt 6pcs+1pc extra	 M6*30mm Bolt 10pcs+1pc extra	 M6*40mm Bolt 4pcs	 M6*35mm Bolt 12pcs+2pcs extra	 Ø15mm Cam lock 12pcs+2pcs extra	 Ø7.8*30mm Dowel 20pcs+2pcs extra
 M7*48mm Screw 8pcs+1pc extra	 M3.5*14mm Screw 36pcs+3pcs extra	 Handle 2pcs	 M4*20mm Bolt 2pcs	 Adjusting feet 1pc	 Allen Key 1pc
 Hinge 4pcs	 plastic Buckle 12pcs+2pcs extra				

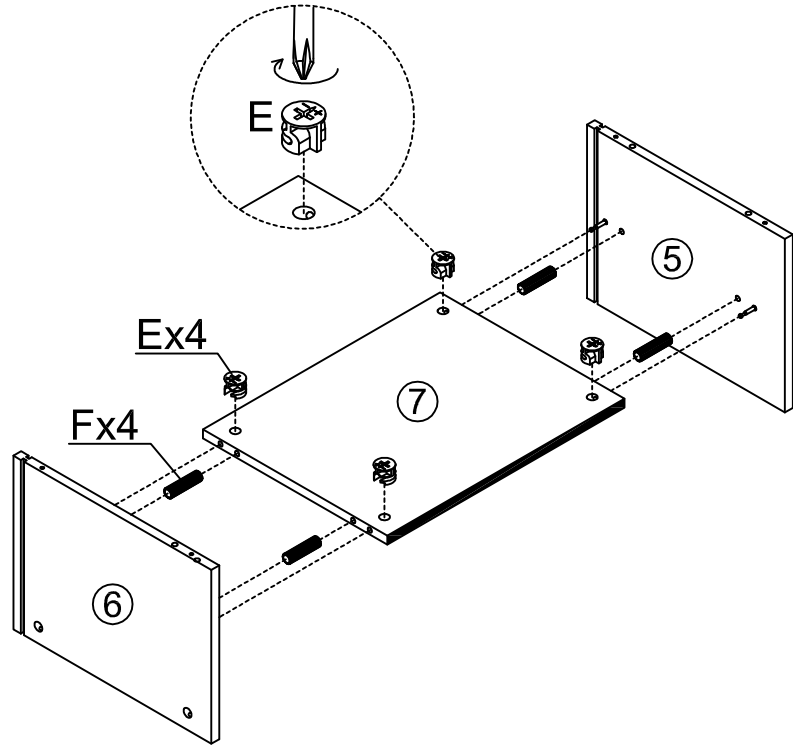
1. Attach Bolts to the Middle Panels.





2. Attach Bolts to the TV Unit Top.

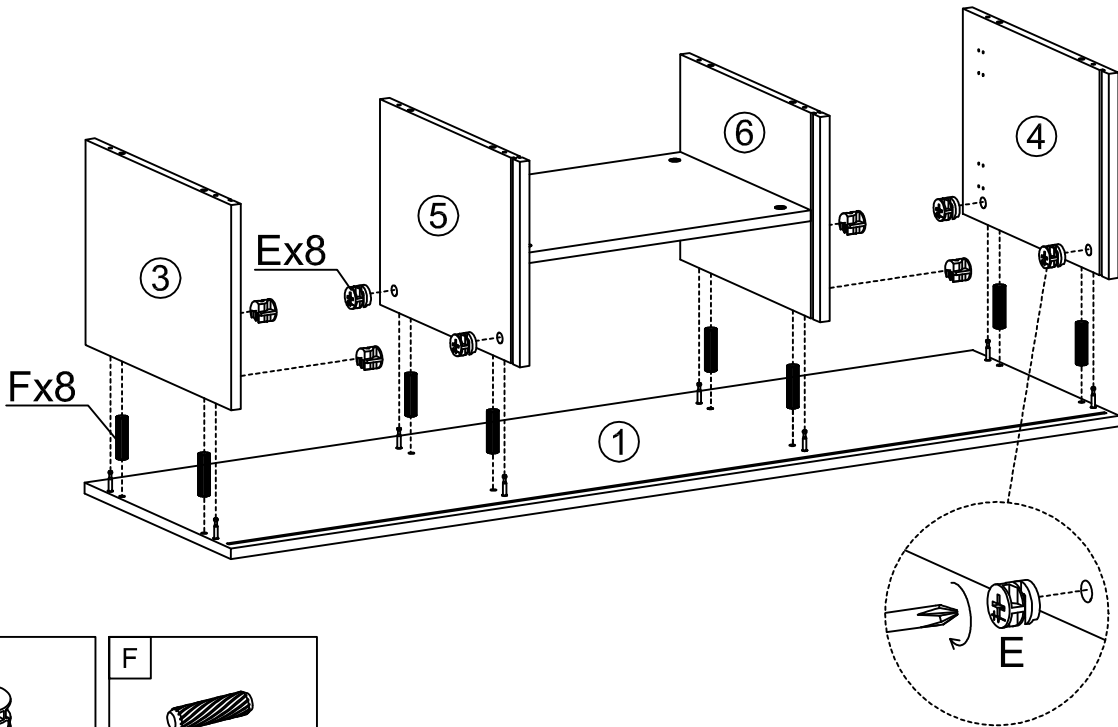




3. Attach the Middle Panels to the shelf.



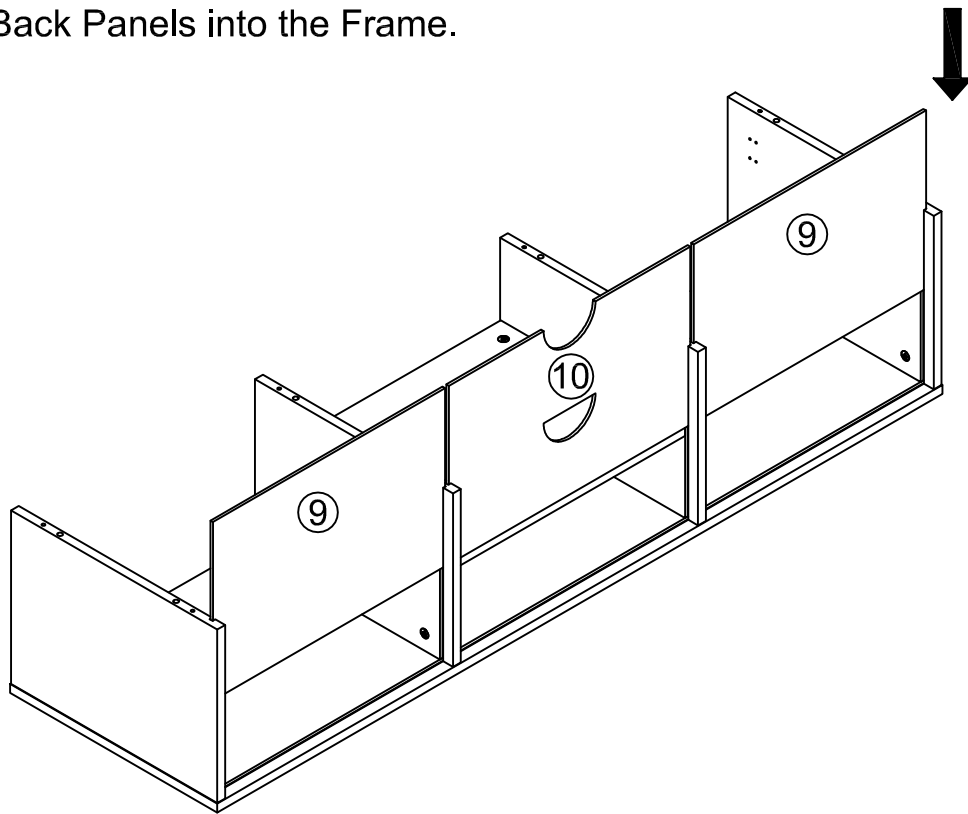
E 	F 
Ø15mm Cam lock 4pcs	Ø7.8*30mm Dowel 4pcs

4. Attach the Side Panels, Middle Panels and Shelf to the TV Unit Top.

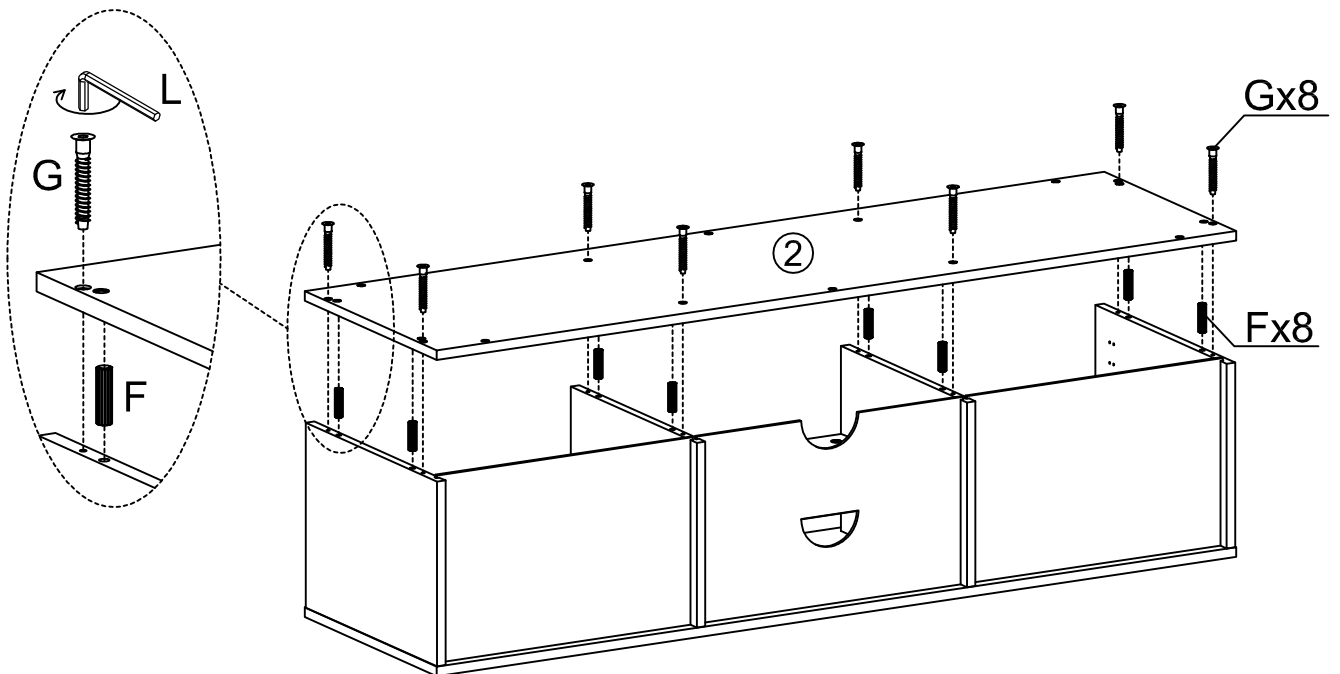




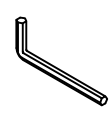
E 	F 
Ø15mm Cam lock 8pcs	Ø7.8*30mm Dowel 8pcs

5. Slide Back Panels into the Frame.

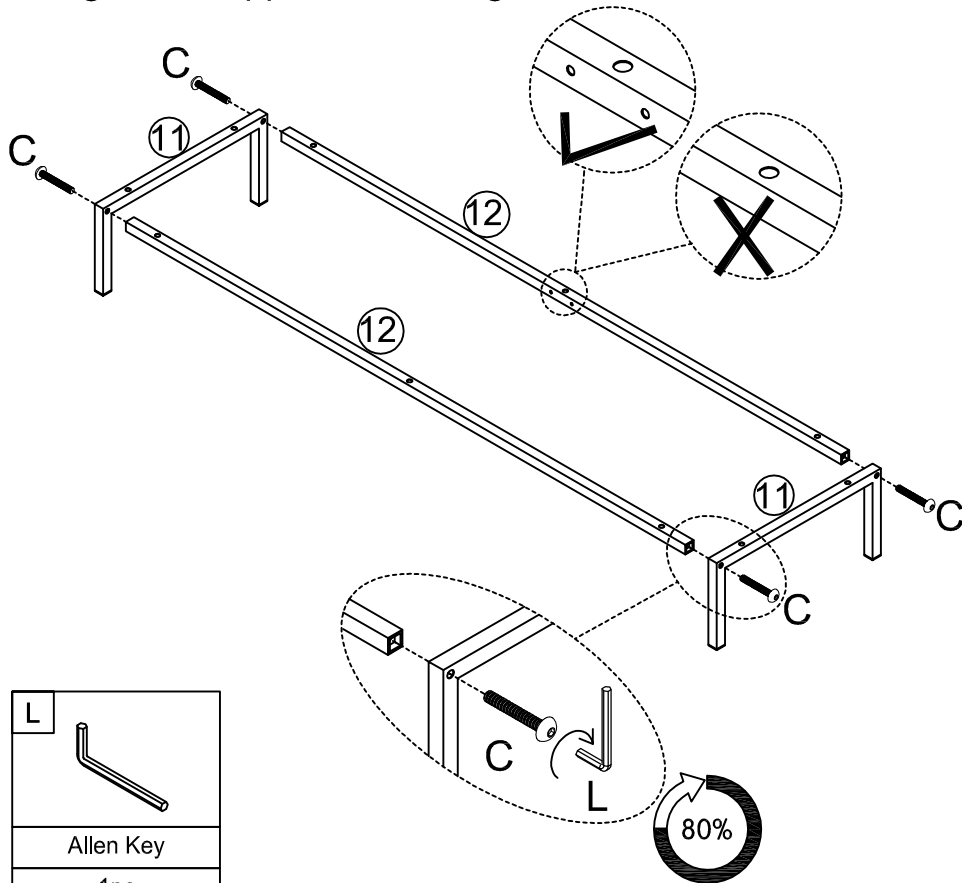


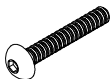
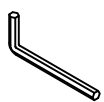
6. Attach the Bottom Panel onto the frame.



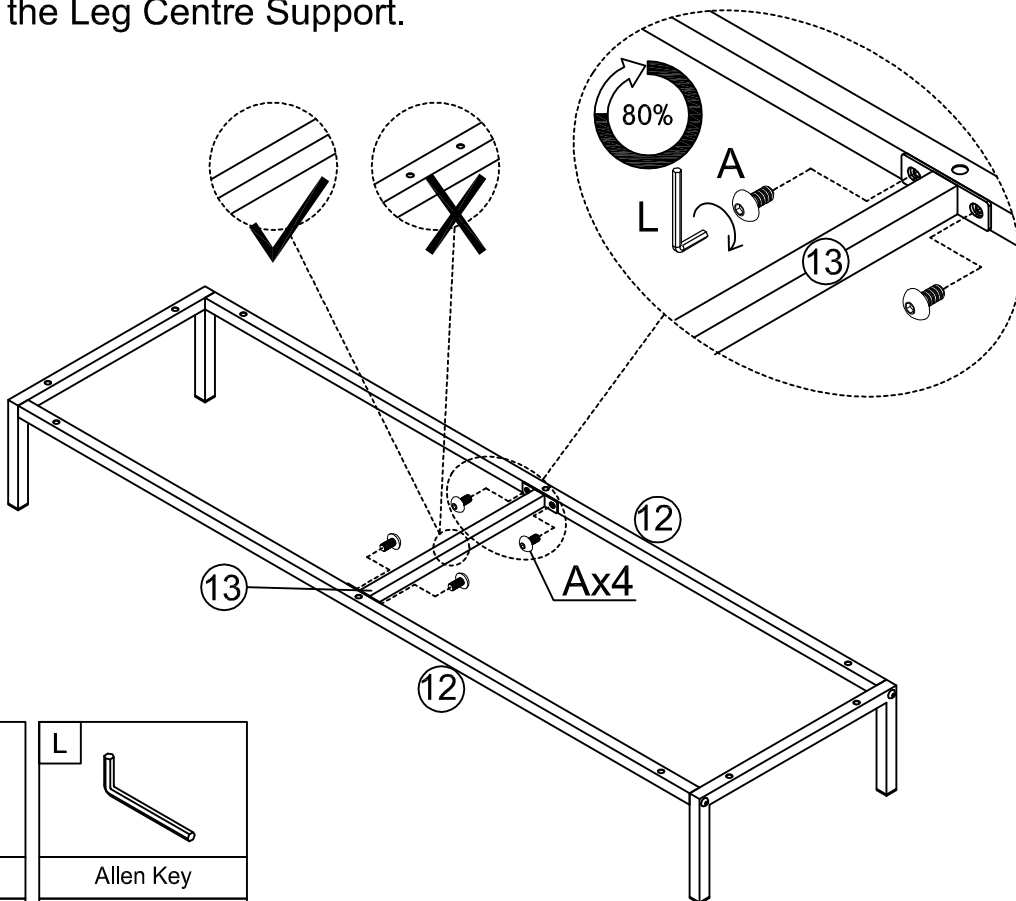
<p>F</p> 	<p>G</p> 	<p>L</p> 
<p>Ø7.8*30mm Dowel 8pcs</p>	<p>M7*48mm Screw 8pcs</p>	<p>Allen Key 1pc</p>


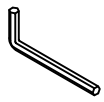
7. Attach the Leg Side Support to the Legs.



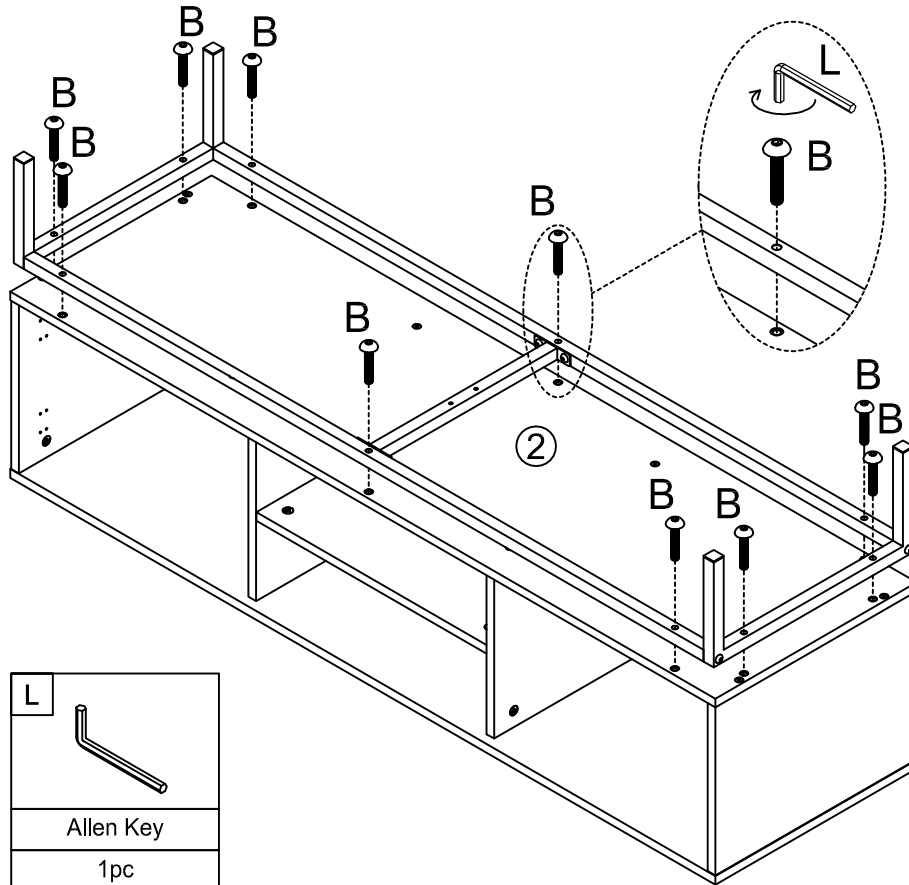
C		L	
M6*40mm Bolt		Allen Key	
4pcs		1pc	


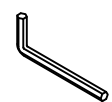
8. Attach the Leg Centre Support.



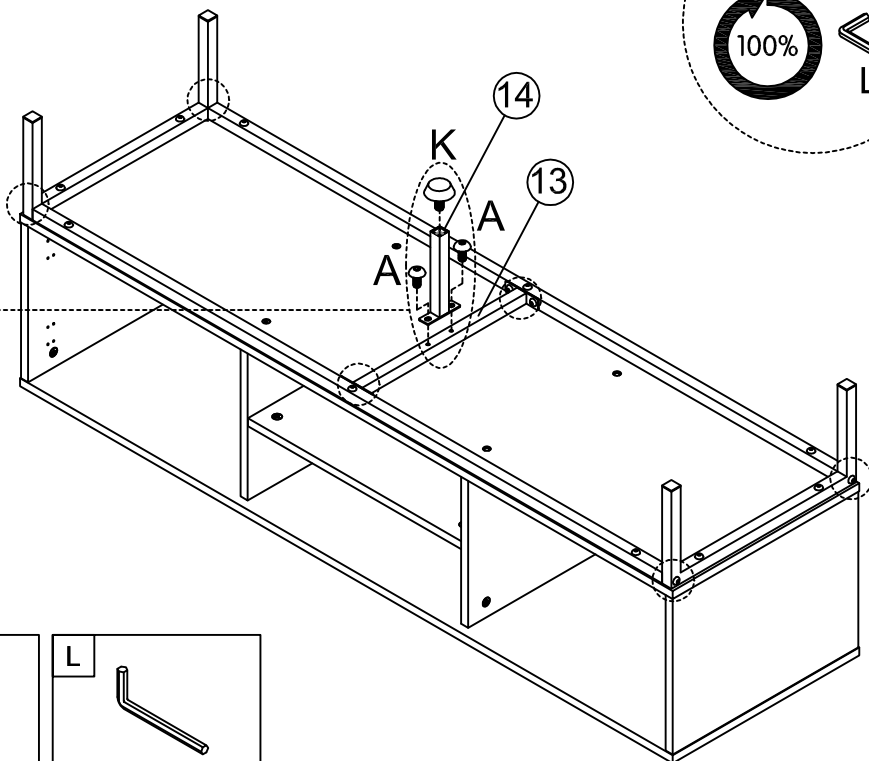
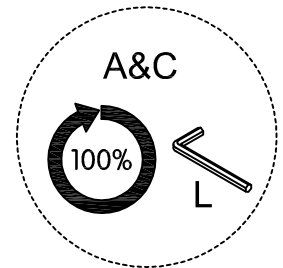
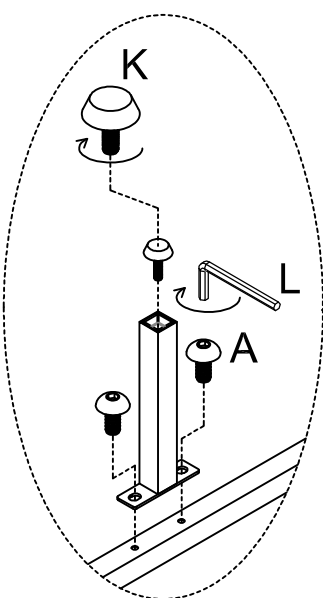
A		L	
M6*12mm Bolt		Allen Key	
4pcs		1pc	


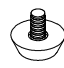
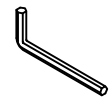
9. Attach the Legs to the frame.



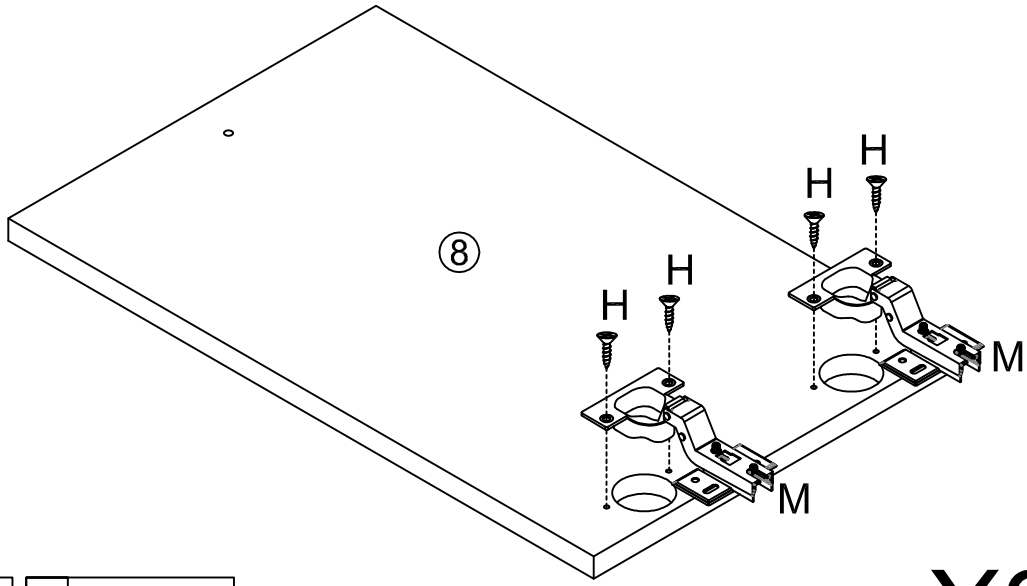
	
<p>M6*30mm Bolt 10pcs</p>	<p>Allen Key 1pc</p>

10. Attach the Centre Leg.


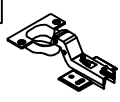


		
<p>M6*12mm Bolt 2pcs</p>	<p>Adjusting feet 1pc</p>	<p>Allen Key 1pc</p>

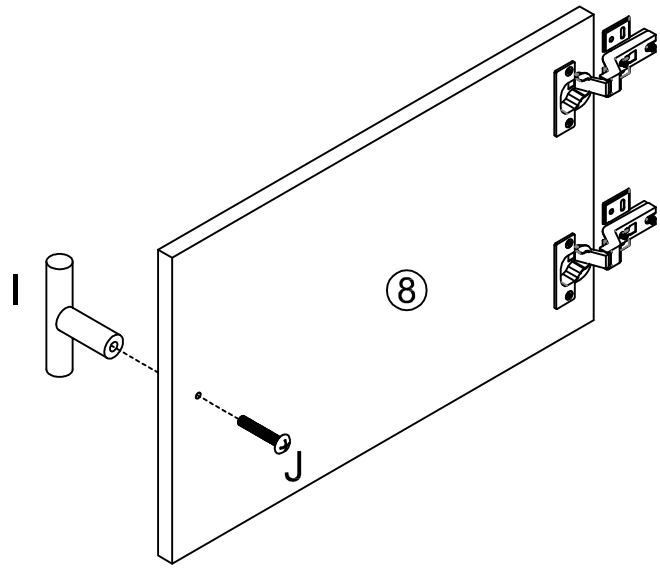
11. Attach the Hinges to the Door Panel.



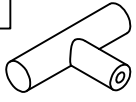

X2

H 	M 
M3.5*14mm Screw	Hinge
8pcs	4pcs

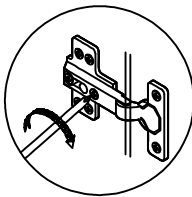
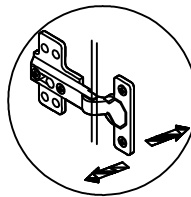
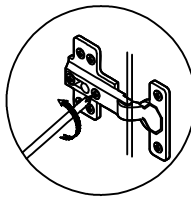
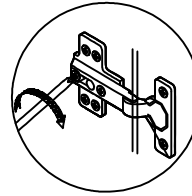
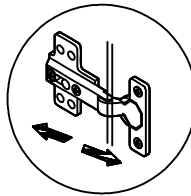
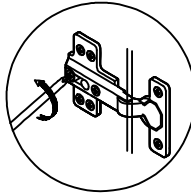
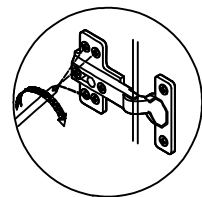
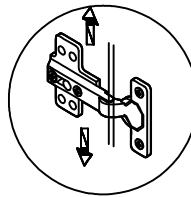
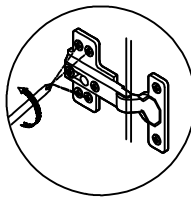
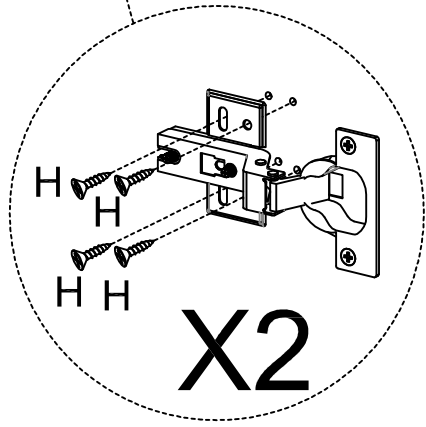
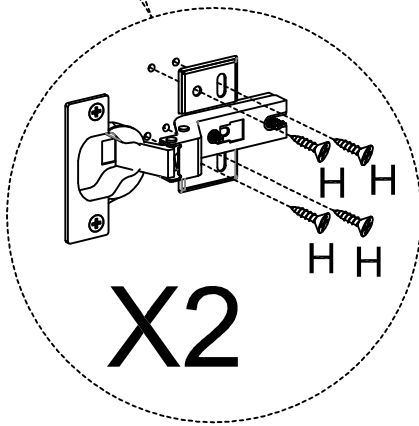
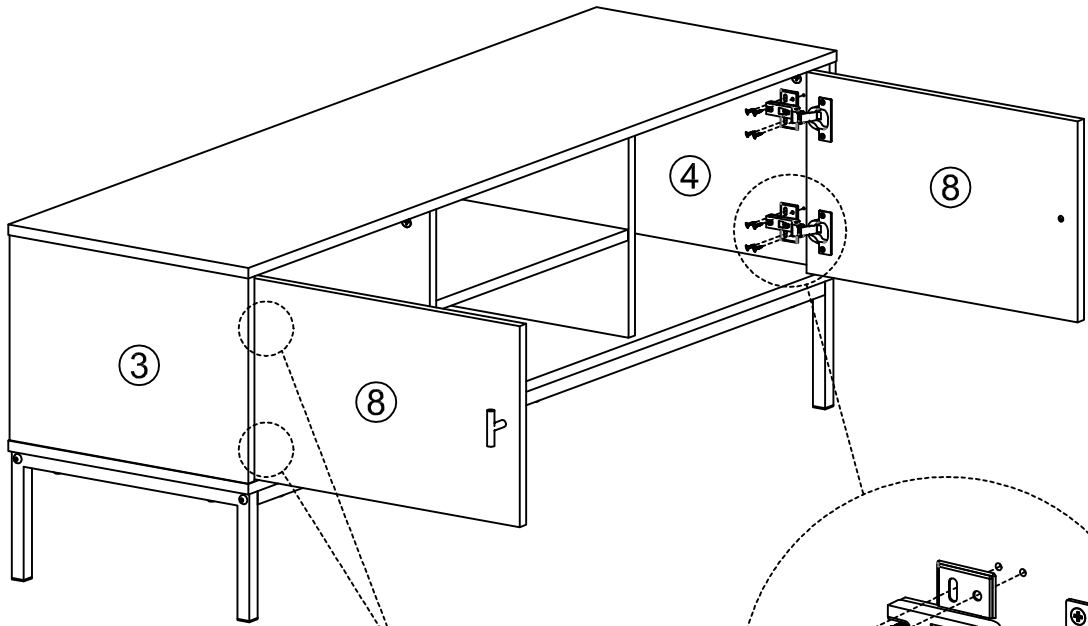
12. Attach Handles to the Door Panels.




X2

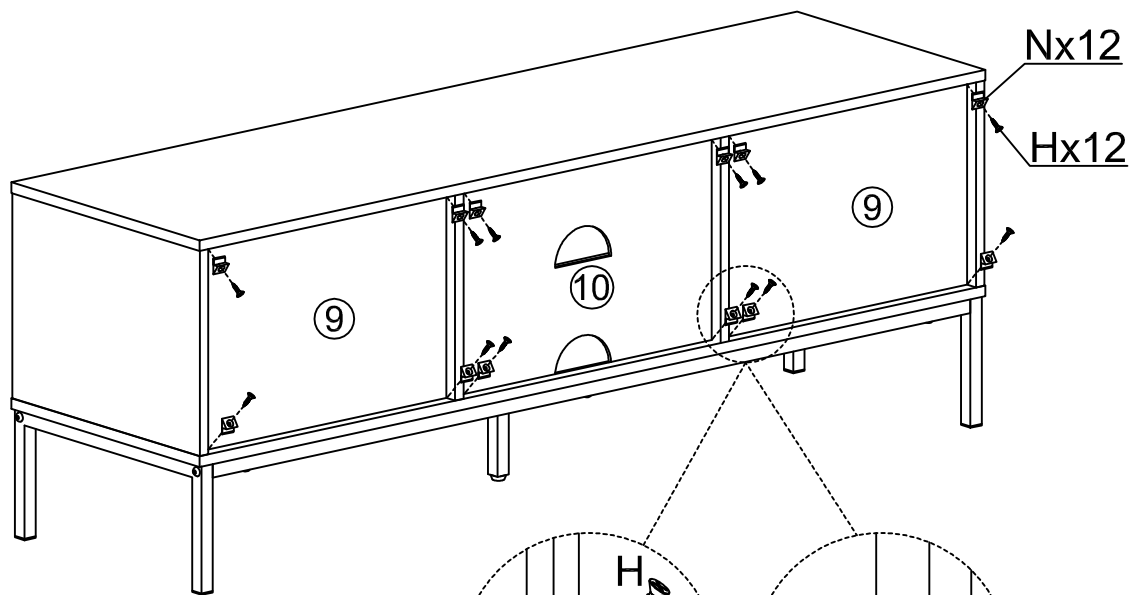
I 	J 
Handle	M4*20mm Bolt
2pcs	2pcs



13. Attach the Door Panels to the frame.

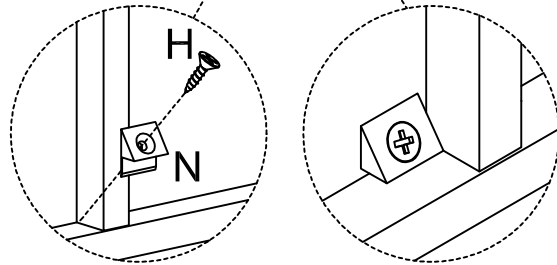


H

M3.5*14mm Screw
16pcs

14. Attach the Plastic Buckles.



H	N
	
M3.5*14mm Screw	plastic Buckle
12pcs	12pcs



15. The Centre Leg is adjustable if necessary.

