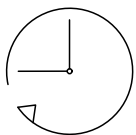
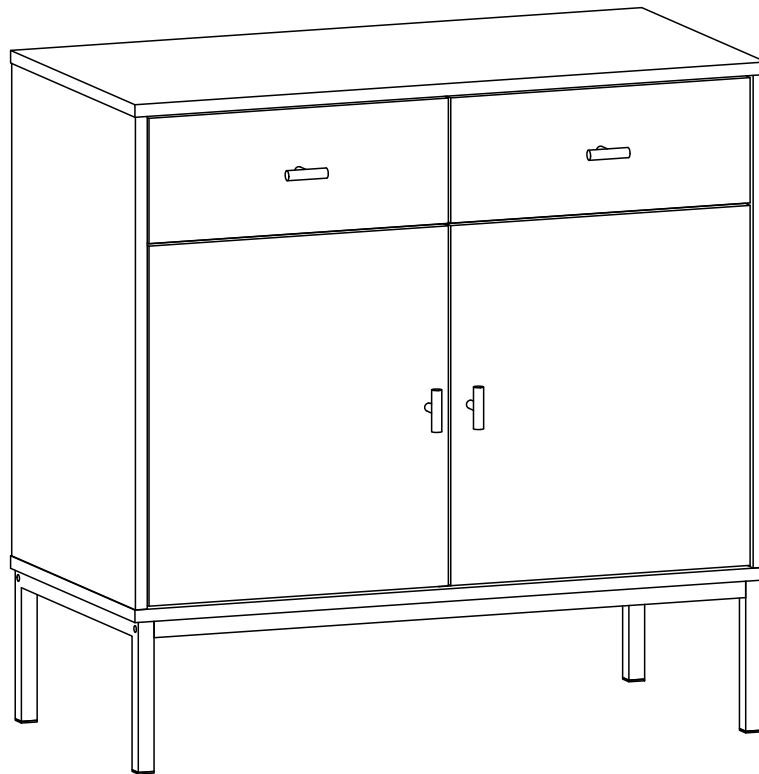
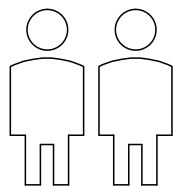


Willow Sideboard



Up to 45 minutes
assembly time



Two person
assembly

This product is intended for domestic use only, not for commercial purposes.

IMPORTANT

ASSEMBLY TIP

Before you begin, it's best to identify all of the parts and fittings to build your sideboard frame. We advise laying these out on the floor to check you have everything, and to familiarise yourself with all of the parts and fittings before building.

TOP TIP

We recommend that you assemble the sideboard in the room you'd like it to be located. This will help prevent any risk of damage to the frame whilst moving it.

SAFETY AND CARE

It's important to ensure children and animals are kept away from the assembly area, as there are small components used in this product which could present a choking hazard. All plastic and wrapping materials should also be kept away from children and animals to prevent any risk of suffocation.

HELP AND SUPPORT

Please contact our customer service team on 0113 519 0311 if you have any questions or issues with your purchase.

RECYCLING

Please ensure that packaging is disposed of in a safe and environmentally friendly way, and recycle where possible. Please keep your assembly instructions safe to refer back to in the future.

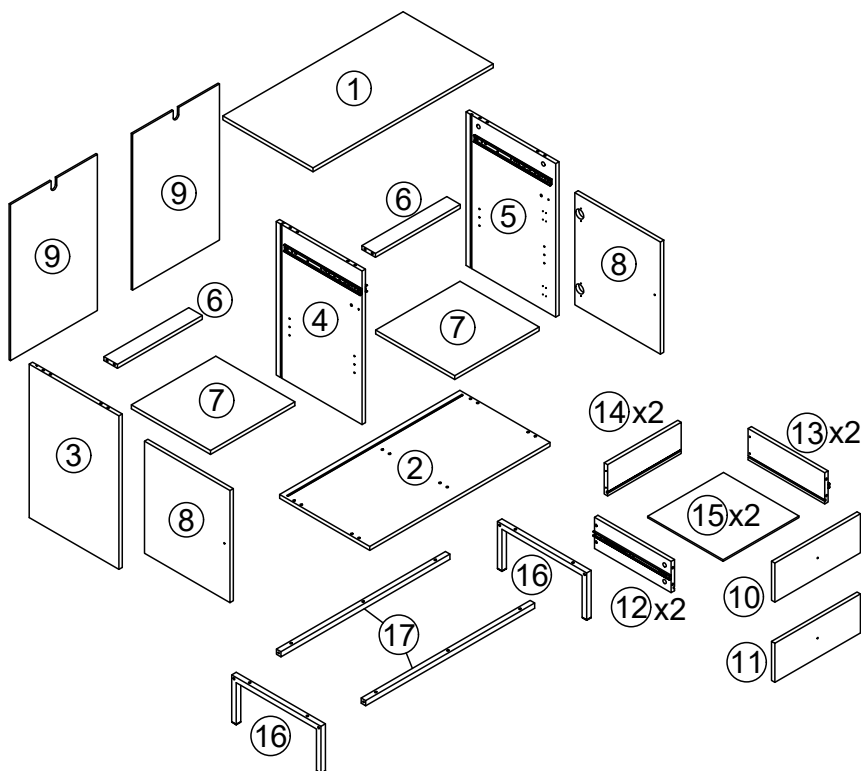
CARE AND MAINTENANCE:

1. Only clean using a damp cloth, do not use bleach or abrasive cleaners as they may damage the finish over time.
2. Do not use a very wet cloth or allow any liquid to contact with the veneer for a long period of time. Wipe any spillage immediately. Absorption can cause wood to warp or finishes to de-laminate.
3. Do not scrub or rub the surface when cleaning.
4. Do not drag the sideboard when moving, lift it off the floor instead.
5. Use a placemat or a coaster when putting hot items (e.g. hot drinks and dishes) on the wood surface.
6. It is not recommended to place the item next to sources of heat such as radiators, fires or directly exposed to sunlight. This may cause the wood to crack, split or fade due to the heat and humidity.
7. Wood will mellow and change colour over time, we recommend that ornaments and items placed on the surface to be moved regularly to prevent uneven mellowing.
8. Regularly check all fixings to ensure none have come loose. Re-tighten if necessary.
9. Avoid sharp items such as a screwdriver or any pointy tools.
10. Dispose of all packaging carefully and responsibly - recycle where possible.

Parts list

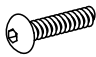

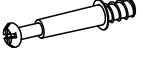







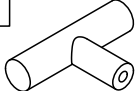






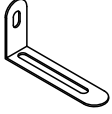
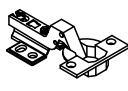
Before you begin building your Willow Sideboard, please take a moment to read through the instructions and make sure that you have all the relevant parts listed on the parts check list.

Part Number	Part Description	Quantity
①	Sideboard Top	1 pc
②	Bottom Panel	1 pc
③	Left Side Panel	1 pc
④	Middle Panel	1 pc
⑤	Right Side Panel	1 pc
⑥	Centre Support	2 pcs
⑦	Shelf Panel	2 pcs
⑧	Door Panel	2 pcs
⑨	Back Panel	2 pcs
⑩	Left Drawer Front	1 pc
⑪	Right Drawer Front	1 pc
⑫	Drawer Left Side	2 pcs
⑬	Drawer Right Side	2 pcs
⑭	Drawer Back Side	2 pcs
⑮	Drawer Bottom	2 pcs
⑯	Leg	2 pcs
⑰	Leg Support	2 pcs

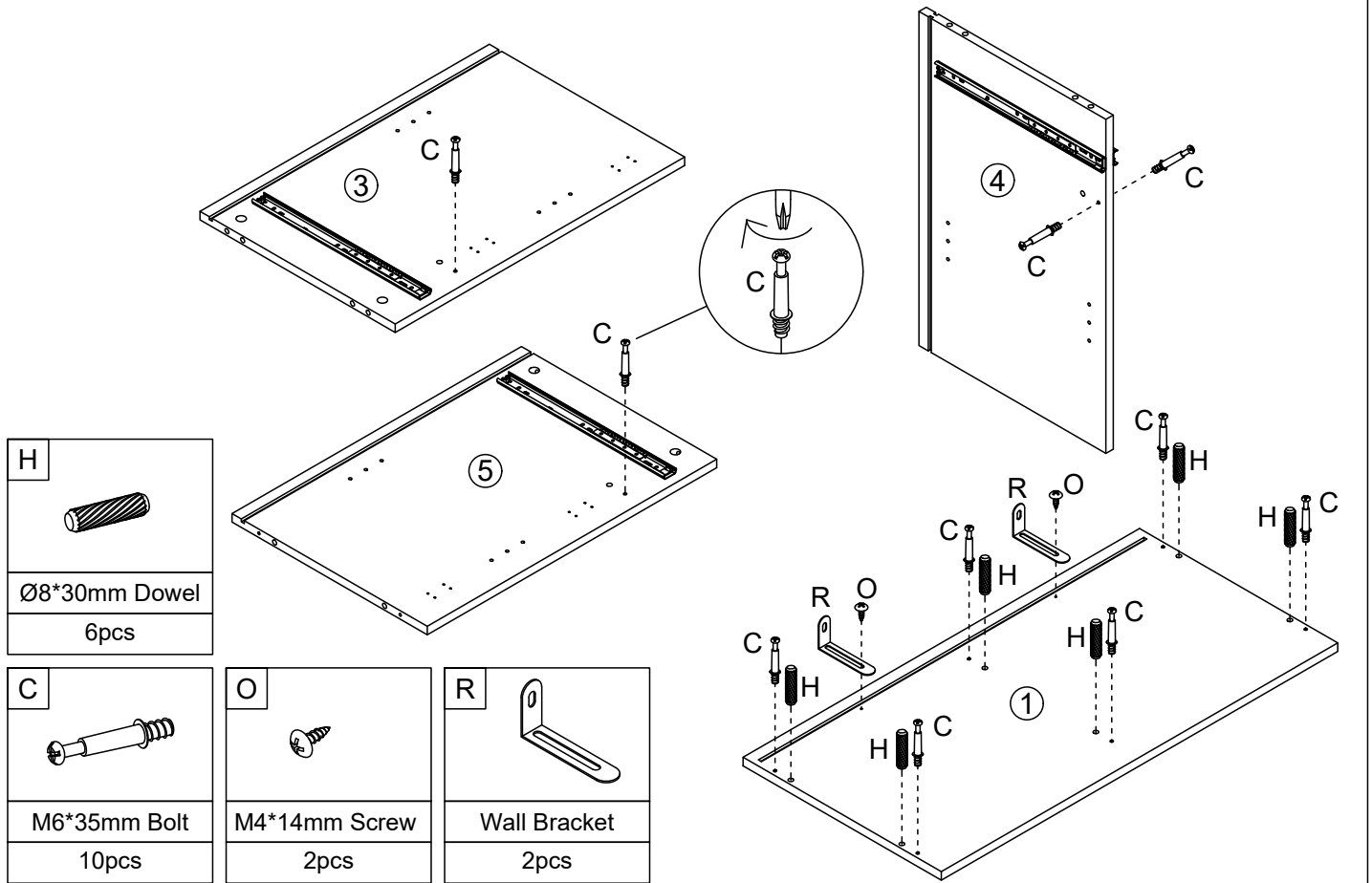


Fittings

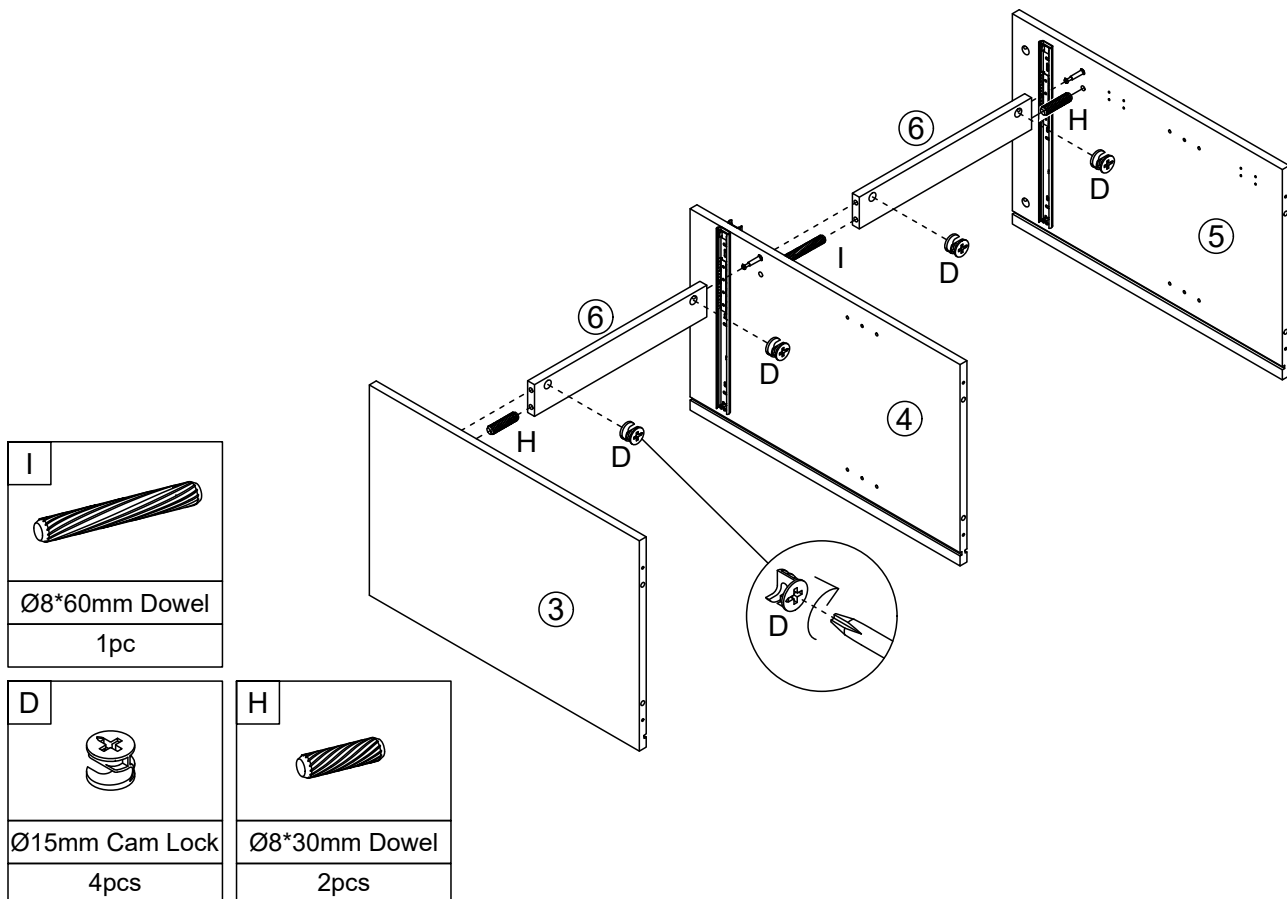
Please check you have all the fittings listed below with your product.

A 	B 	C 	D 	E 	F 
M6*30mm Bolt 10pcs+1pc extra	M6*40mm Bolt 4pcs	M6*35mm Bolt 18pcs+2pcs extra	Ø15mm Cam Lock 18pcs+2pcs extra	M3.5*14mm Screw 32pcs+2pcs extra	M4*35mm Screw 8pcs+1pc extra
G 	H 	I 	J 	K 	L 
M7*48mm Screw 6pcs+1pc extra	Ø8*30mm Dowel 14pcs+2pcs extra	Ø8*60mm Dowel 1pc	Ø5*14mm Shelf Pin 8pcs+1pc extra	Handle 4pcs	M4*20mm Bolt 4pcs
M 	N 	O 	P 	Q 	R 
Plastic Buckle 8pcs+1pc extra	Allen Key 1pc	M4*14mm Screw 2pcs	M4*35mm Screw 2pcs	Ø6*30mm Wall Plug 2pcs	Wall Bracket 2pcs
S 					
Hinge 4pcs					

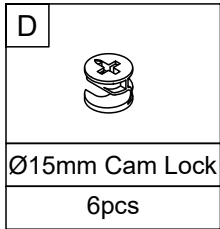
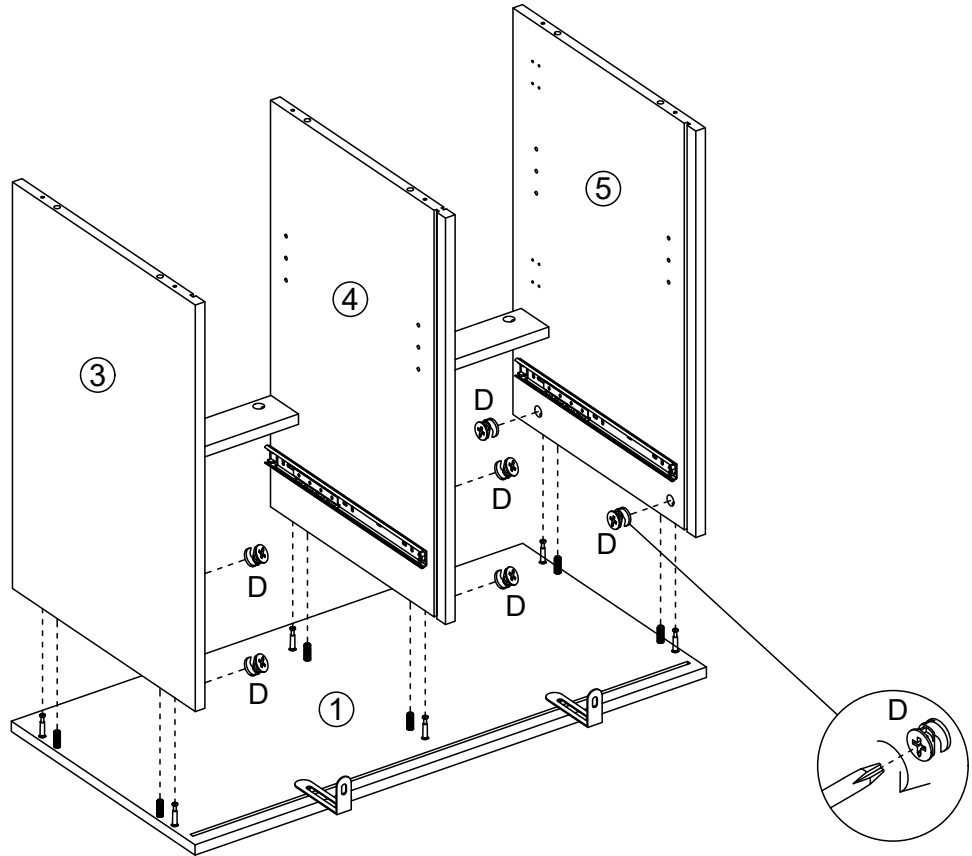
1. Attach parts to Sideboard Top, Side Panels and Middle Panel.



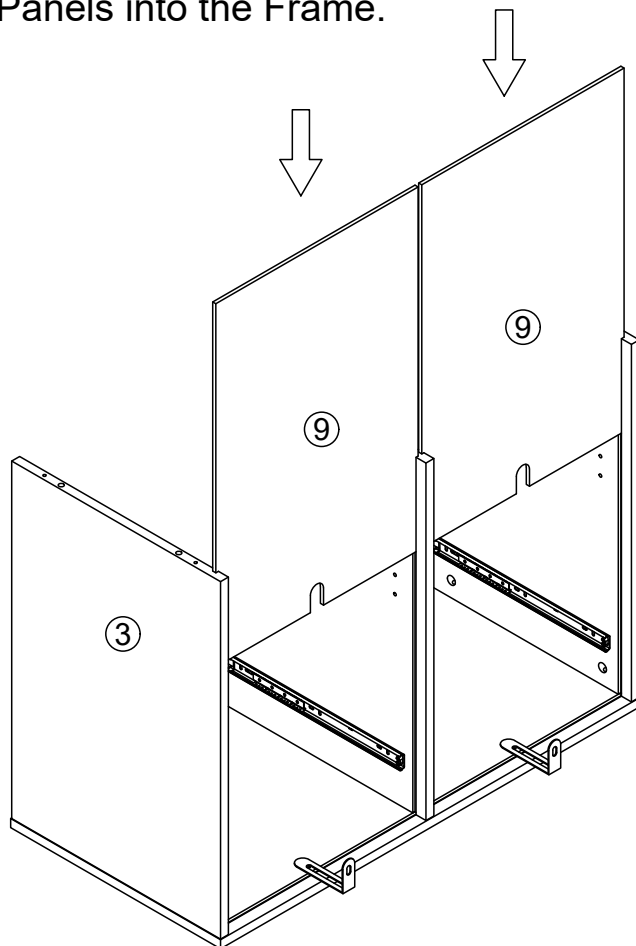
2. Attach Centre Support to Side Panels and Middle Panel.



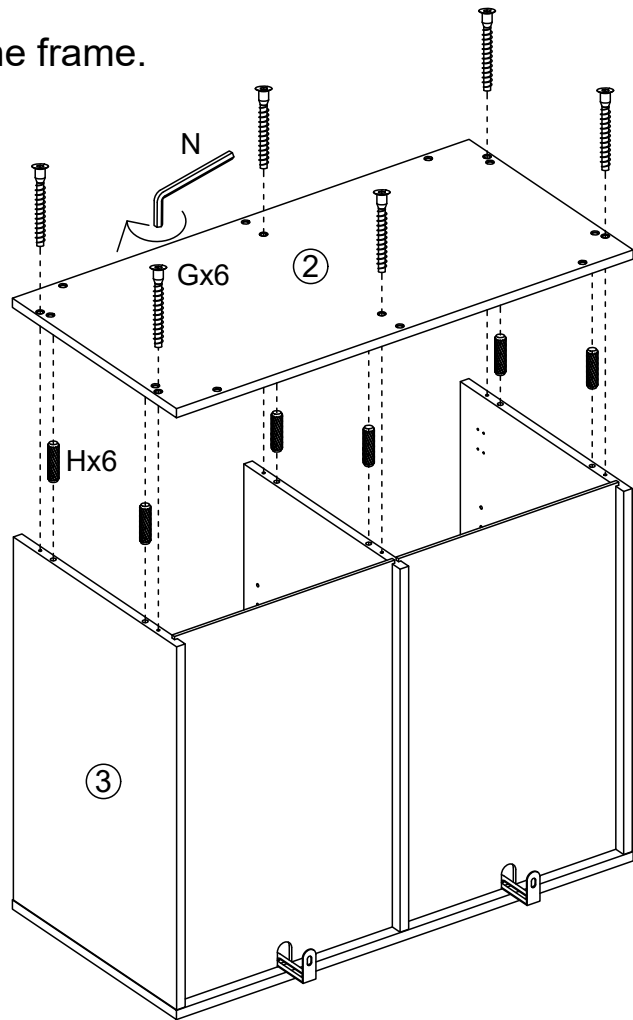
3. Attach Sideboard Top to Side Panels and Middle Panel.



4. Slide Back Panels into the Frame.



5. Attach the Bottom Panel onto the frame.

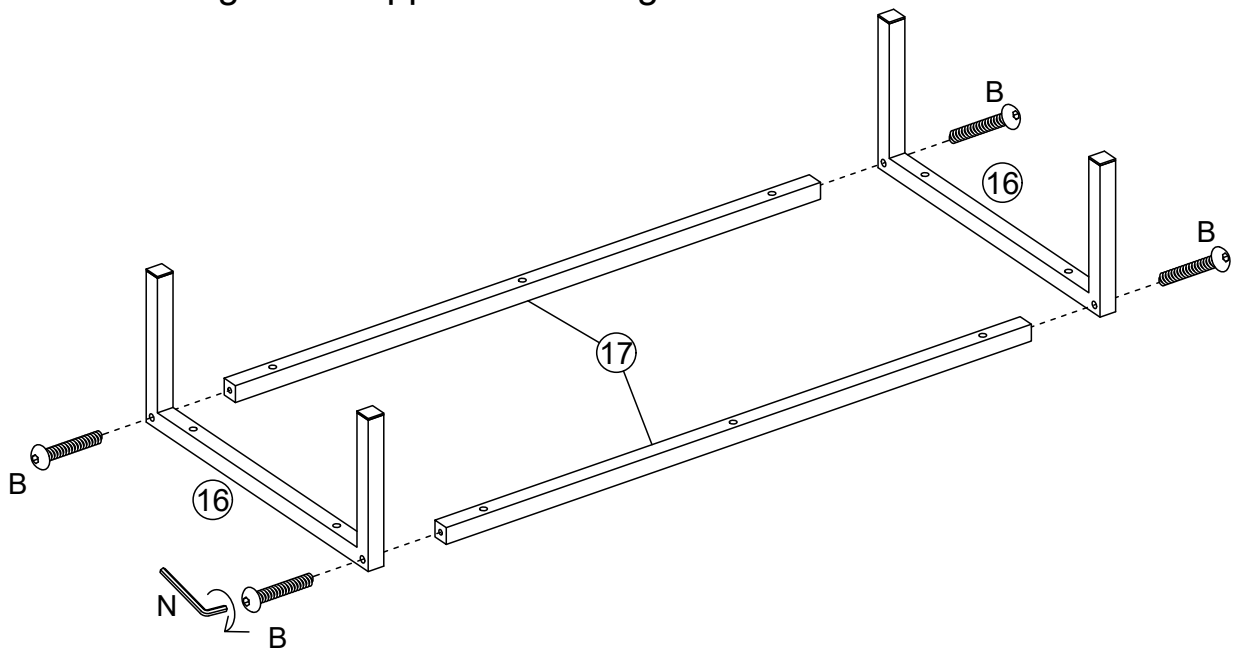


N	
Allen Key	
1pc	

G	
M7*48mm Screw	
6pcs	

H	
Ø8*30mm Dowel	
6pcs	

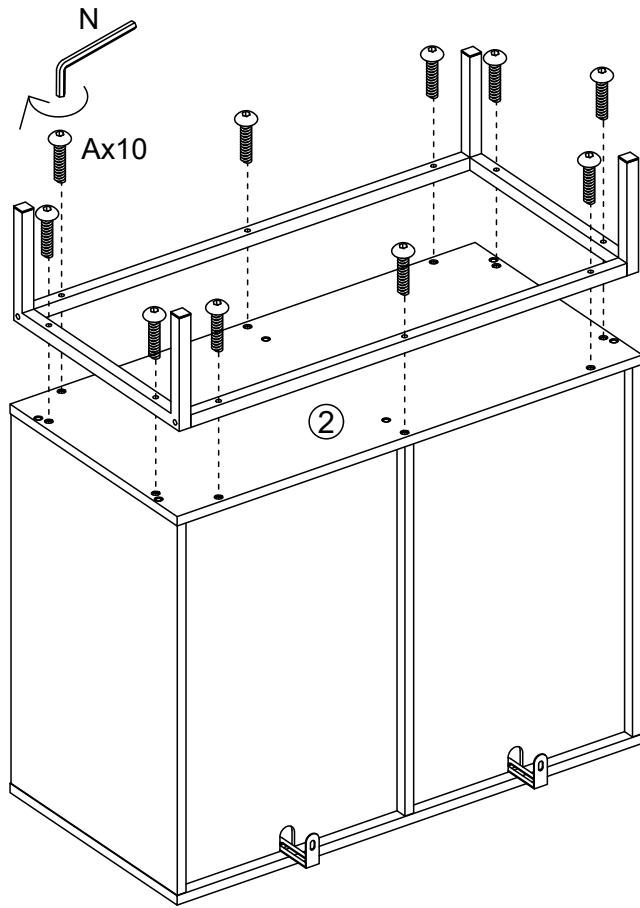
6. Attach the Leg Side Support to the Legs.

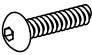


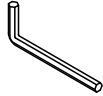
B	
M6*40mm Bolt	
4pcs	

N	
Allen Key	
1pc	

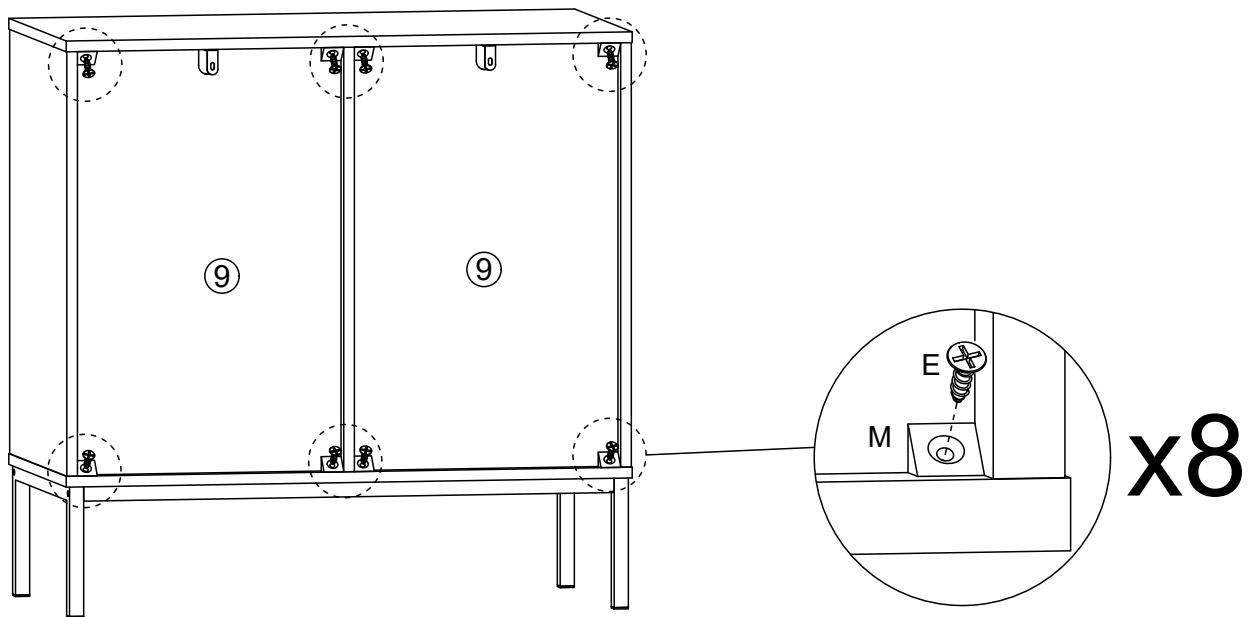
7. Attach the Legs to the frame.




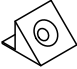
A	
M6*30mm Bolt	
10pcs	

N	
Allen Key	
1pc	

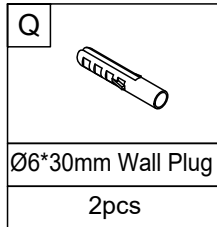
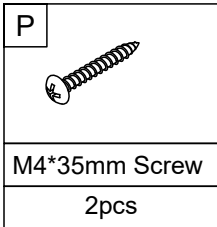
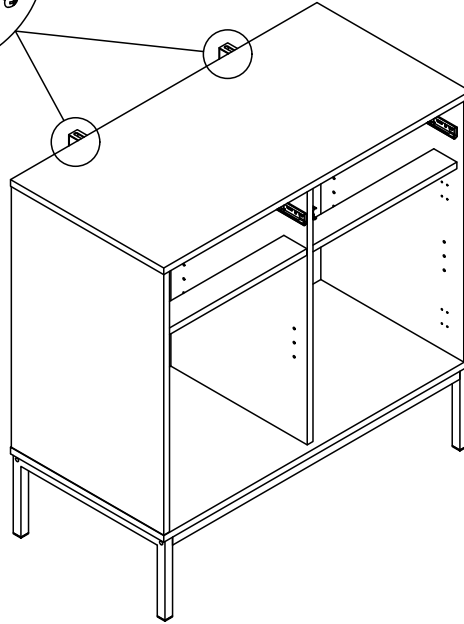
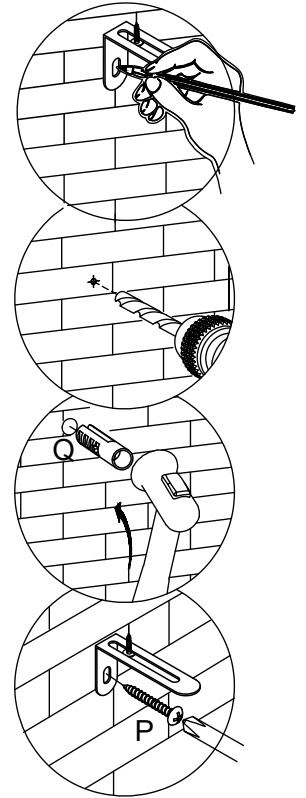
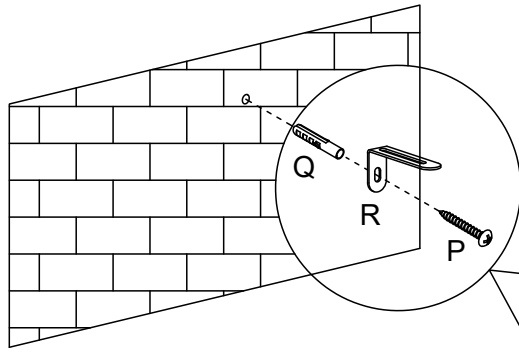
8. Attach the Plastic Buckles.



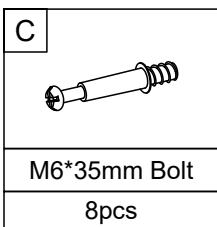
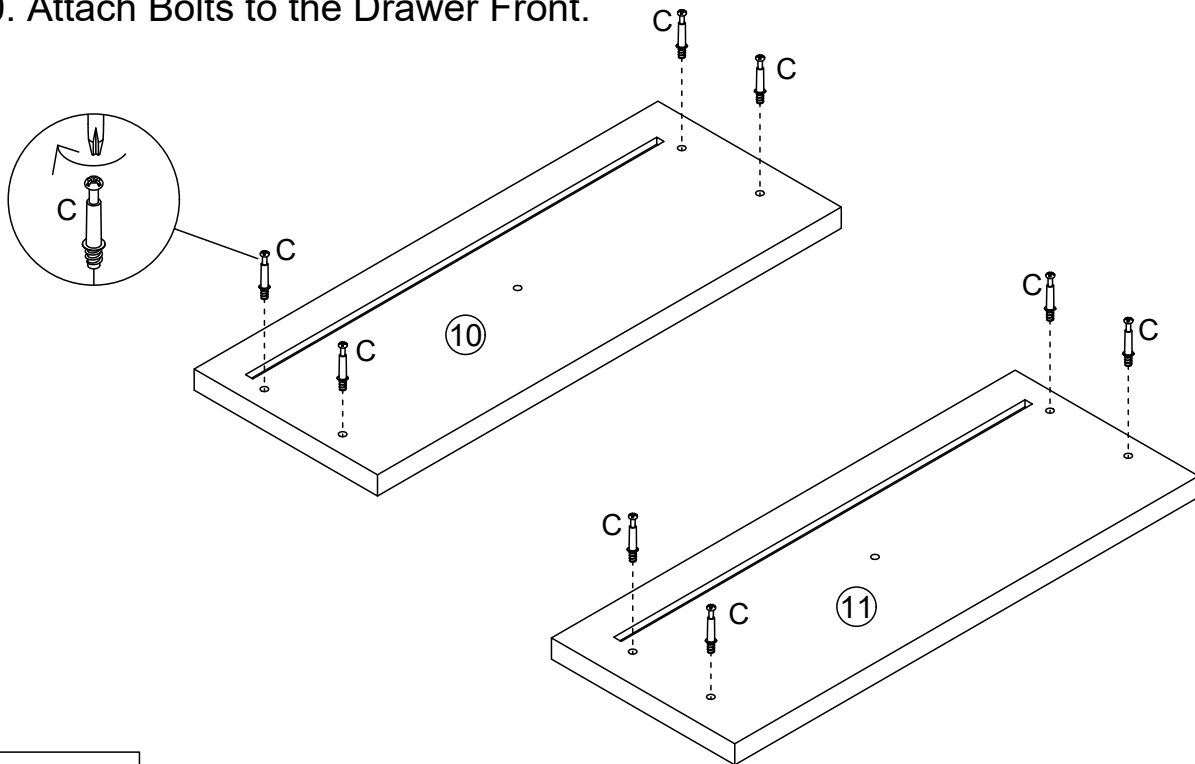
E	
M3.5*14mm Screw	
8pcs	

M	
Plastic Buckle	
8pcs	

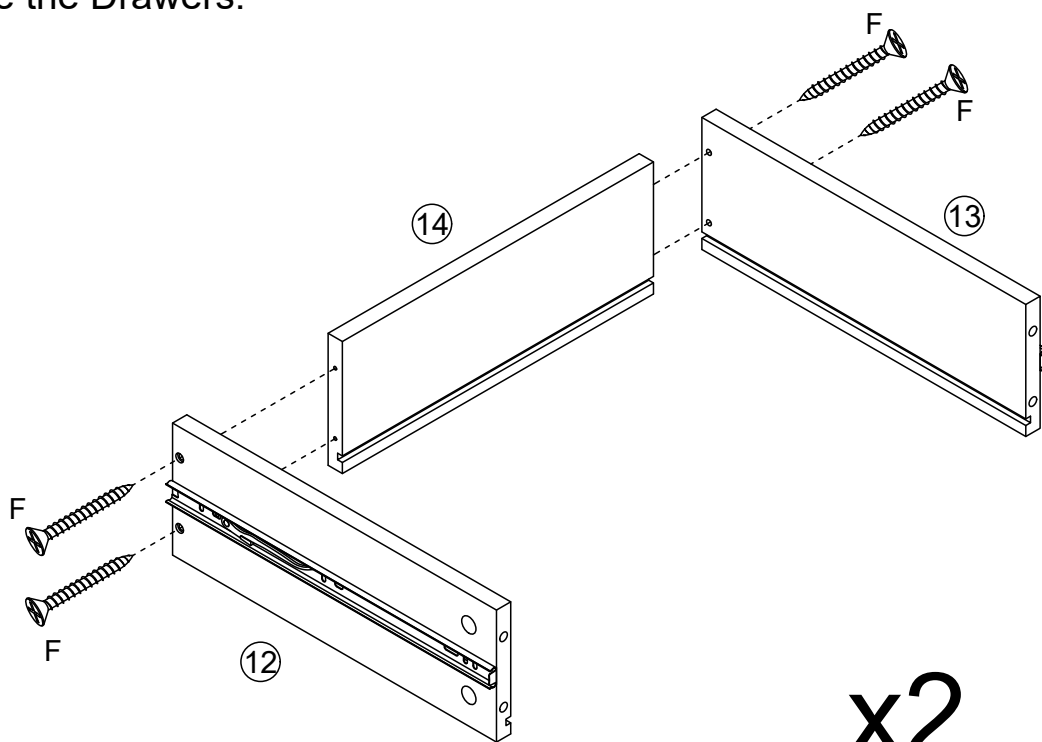
9. Fix the Wall Bracket to the wall.




10. Attach Bolts to the Drawer Front.



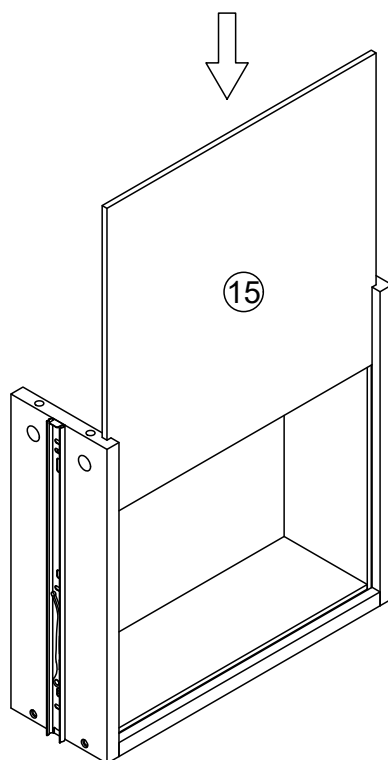
11. Assemble the Drawers.



F

M4*35mm Screw
8pcs

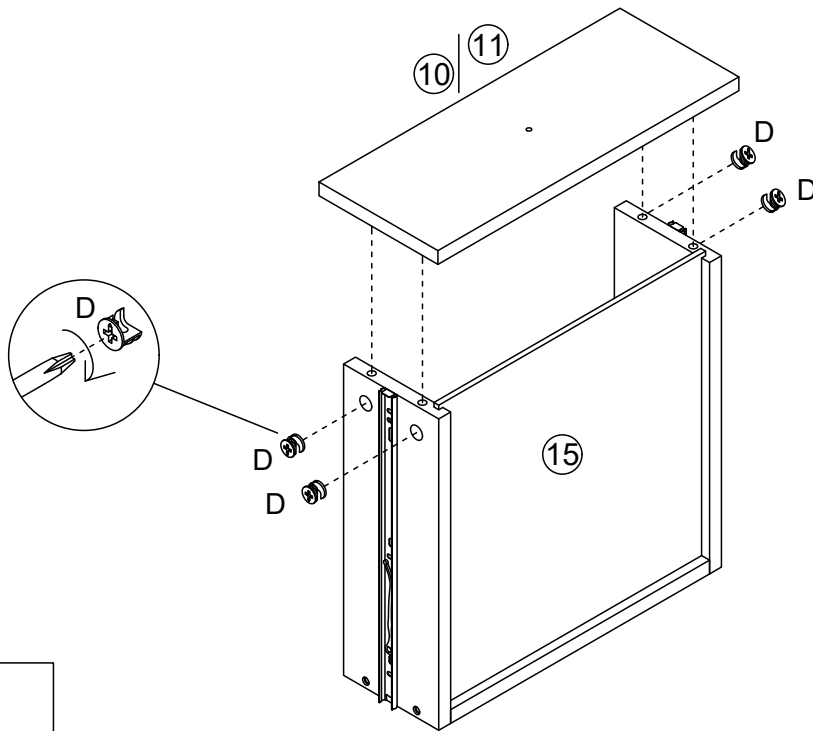
x2


12. Slide the Drawer Bottom into the Drawer.



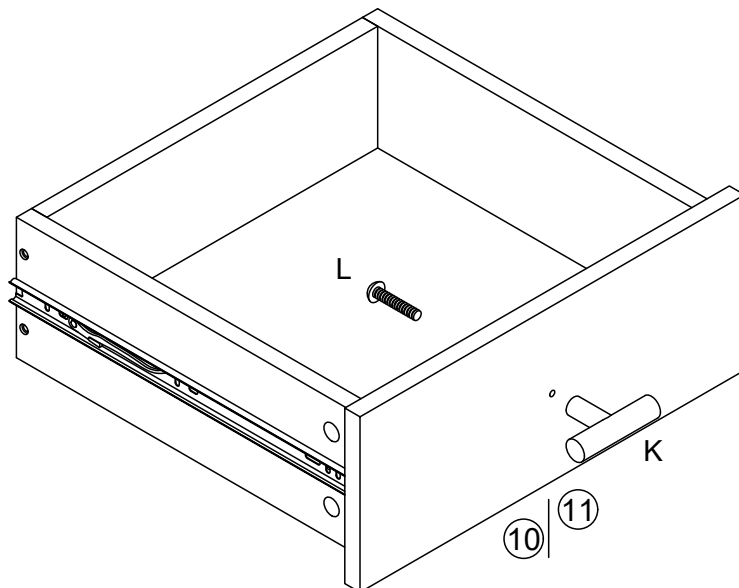
x2

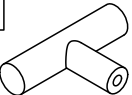
13. Attach the Drawer Front and tighten the CAM Locks.




D	
Ø15mm Cam Lock	
8pcs	

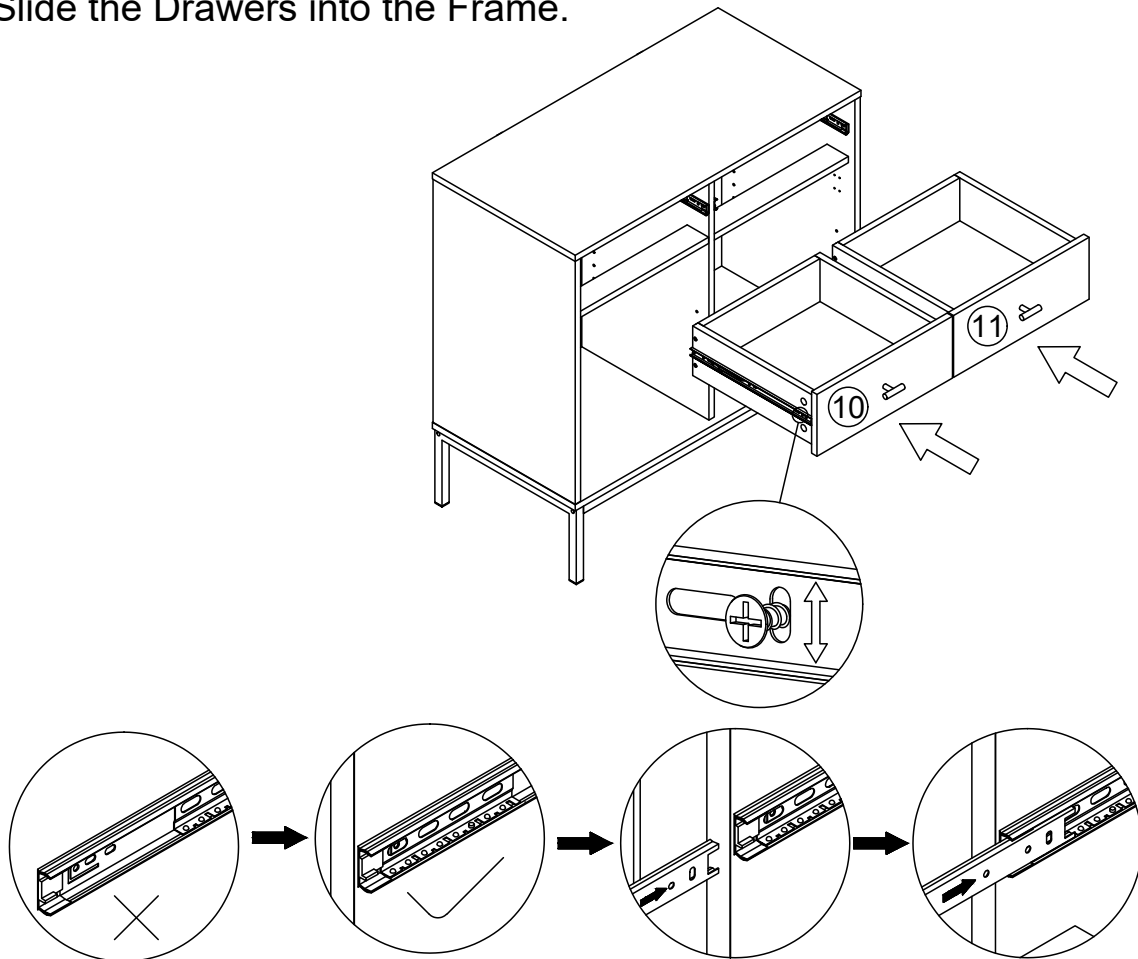
14. Attach the Handle.



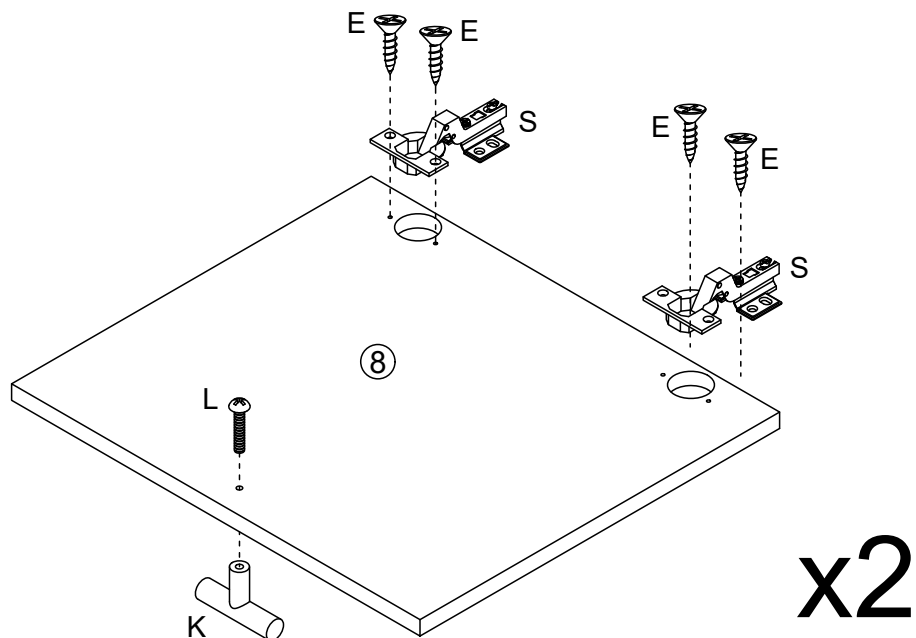
K	
Handle	
2pcs	

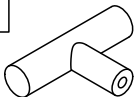



L	
M4*20mm Bolt	
2pcs	

15. Slide the Drawers into the Frame.

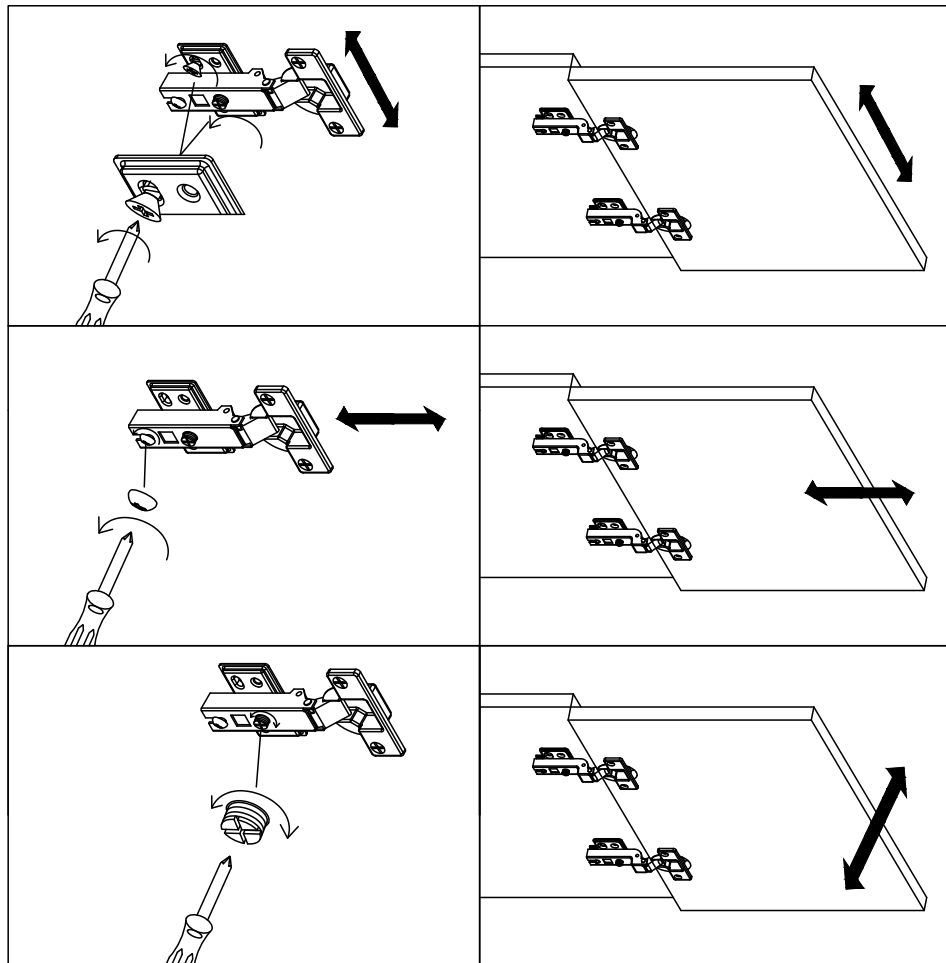
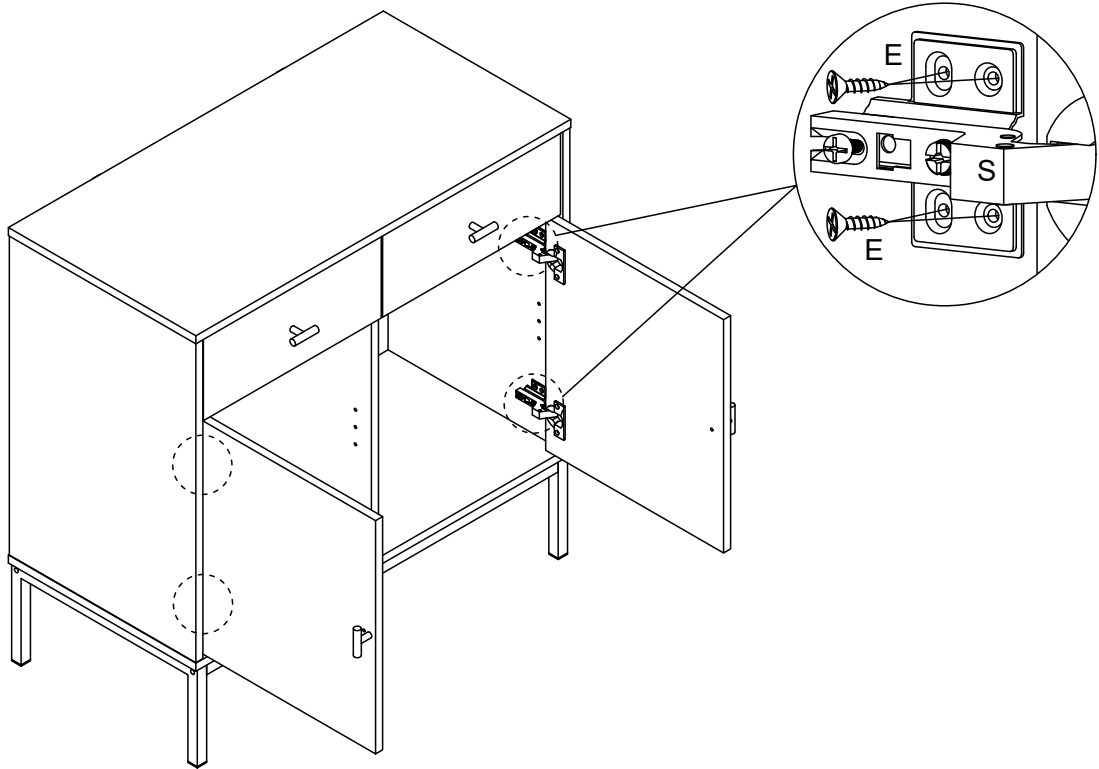



16. Attach the Hinges and Handles to the Door Panels.



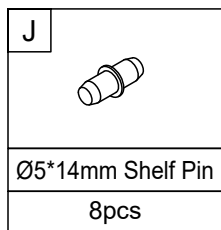
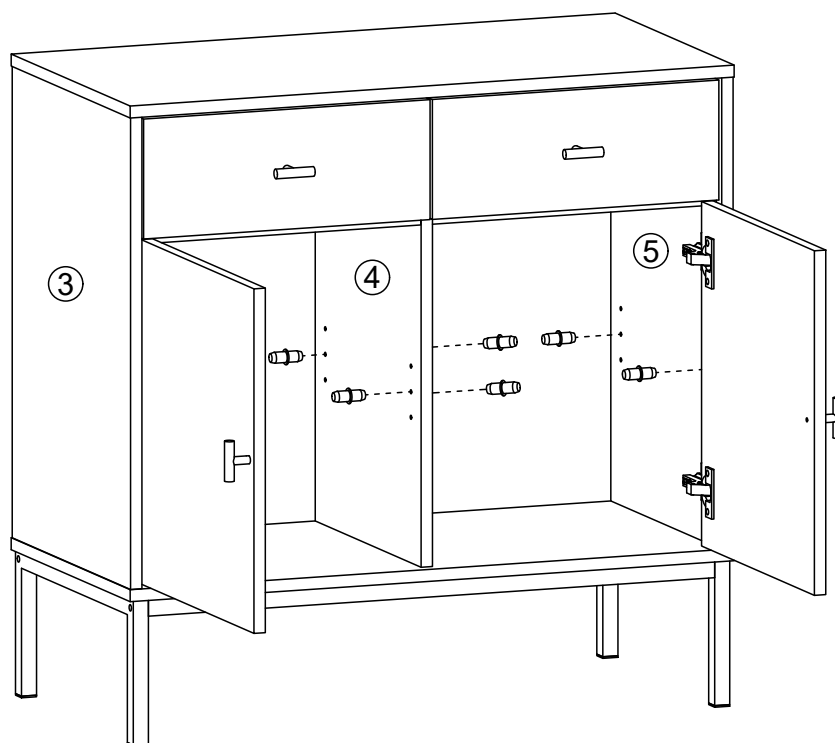
<p>K</p> 	<p>L</p> 	<p>S</p> 	<p>E</p> 
<p>Handle 2pcs</p>	<p>M4*20mm Bolt 2pcs</p>	<p>Hinge 4pcs</p>	<p>M3.5*14mm Screw 8pcs</p>

17. Attach the Door Panels to the frame.

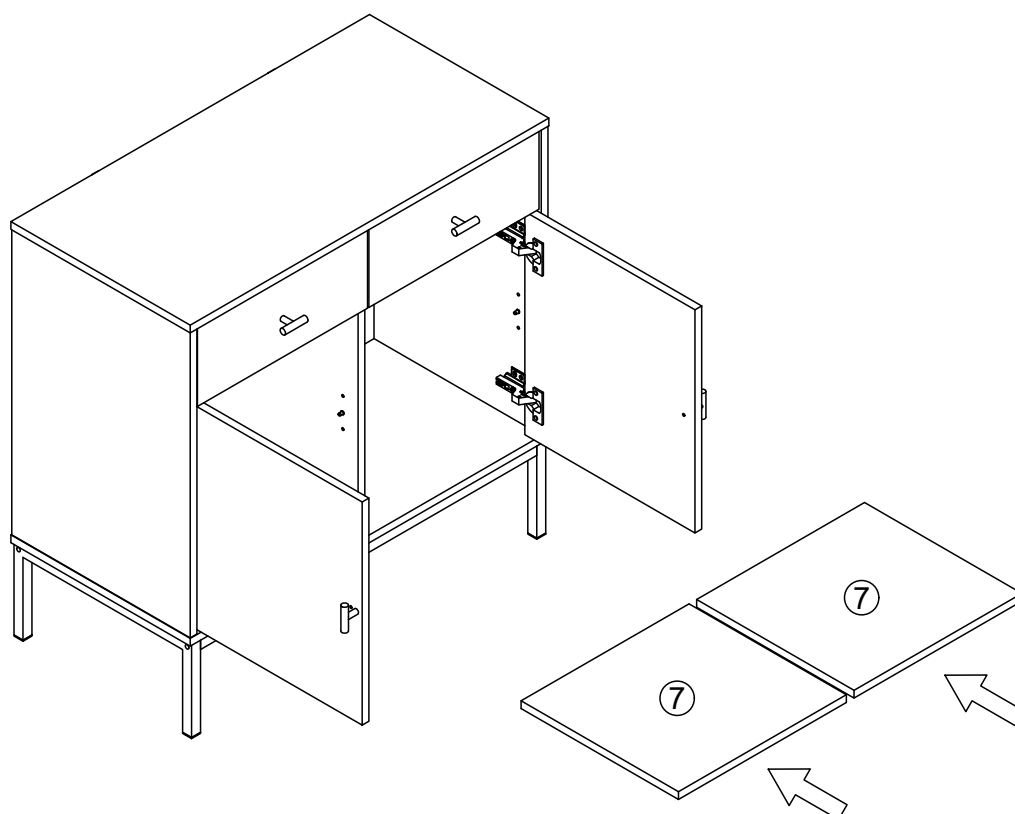


E

M3.5*14mm Screw
16pcs

18. Attach the Shelf pins to the frame.



19. Slide the shelves into the frame.



20.

