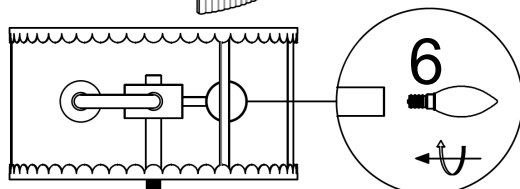
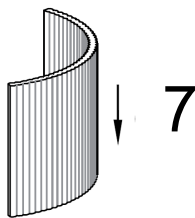


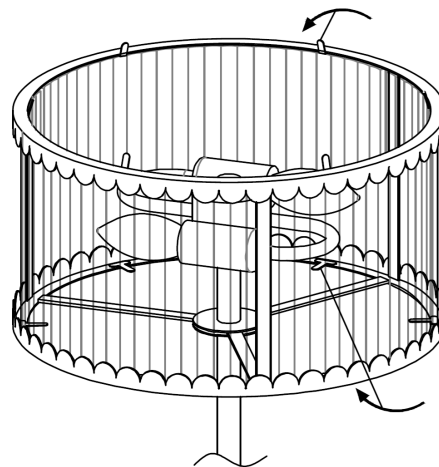
ROSIE SCALLOP FLOOR LAMP

Insert glass Panels
into the frame



Gently Bend clip down

8



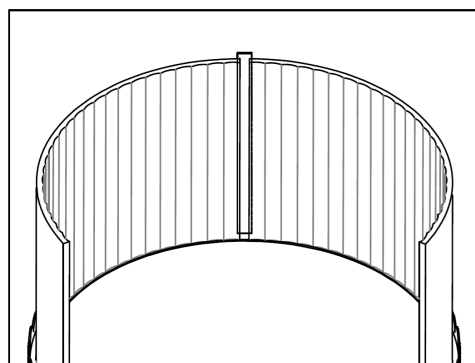
Gently Bend clip up

8

1 ↕

2 ↕

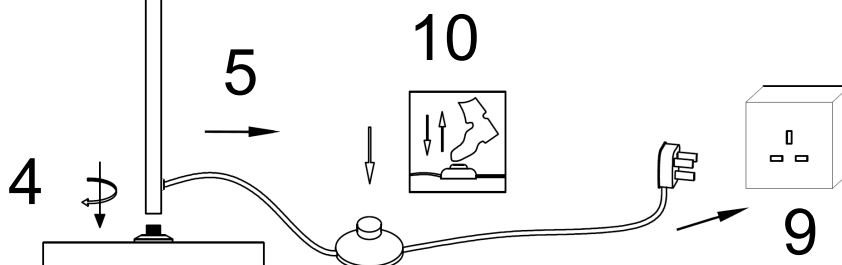
3 ↕



Please ensure that the butt joints of the glass panels are positioned behind the flat iron bars during installation.



E14 x 2
(BULB NOT INCLUDED)



Q.C APPROVED
19/12/2025
ISSUE 1

