

DUSK.COM

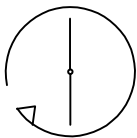
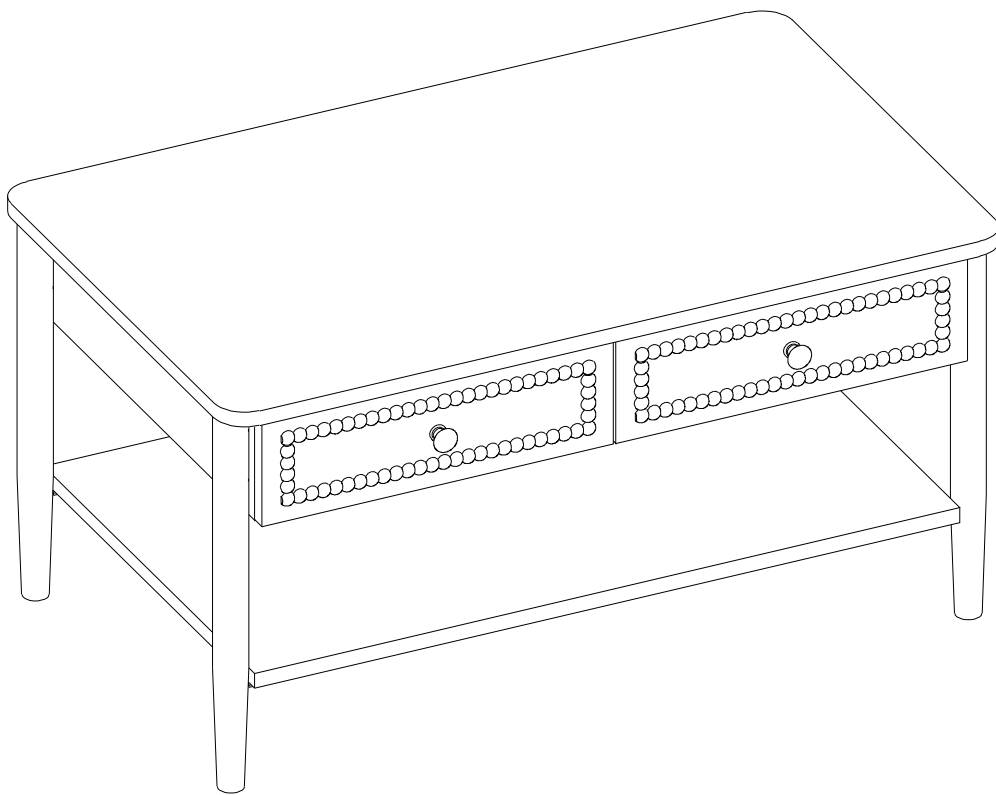
LIVING | BEDROOM | DINING

Range Name :Posy

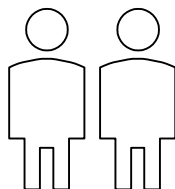
Box 1 Dimension:W88.5xD54xH14cm

Product Dimension:W77xD47xH40cm

Posy Coffee Table



Up to 60 minutes
assembly time



Two person
assembly



Electric screwdriver
prohibited

This product is intended for domestic use only,not for commercial purposes.

IMPORTANT

ASSEMBLY TIP

Before you begin, it's best to identify all of the parts and fittings to build your Posy Coffee Table frame. We advise laying these out on the floor to check you have everything, and to familiarise yourself with all of the parts and fittings before building.

TOP TIP

We recommend that you assemble the Posy Coffee Table in the room you'd like it to be located. This will help prevent any risk of damage to the frame whilst moving it.

SAFETY AND CARE

It's important to ensure children and animals are kept away from the assembly area, as there are small components used in this product which could present a choking hazard. All plastic and wrapping materials should also be kept away from children and animals to prevent any risk of suffocation.

HELP AND SUPPORT

Please contact our customer service team on 0113 519 0311 if you have any questions or issues with your purchase.

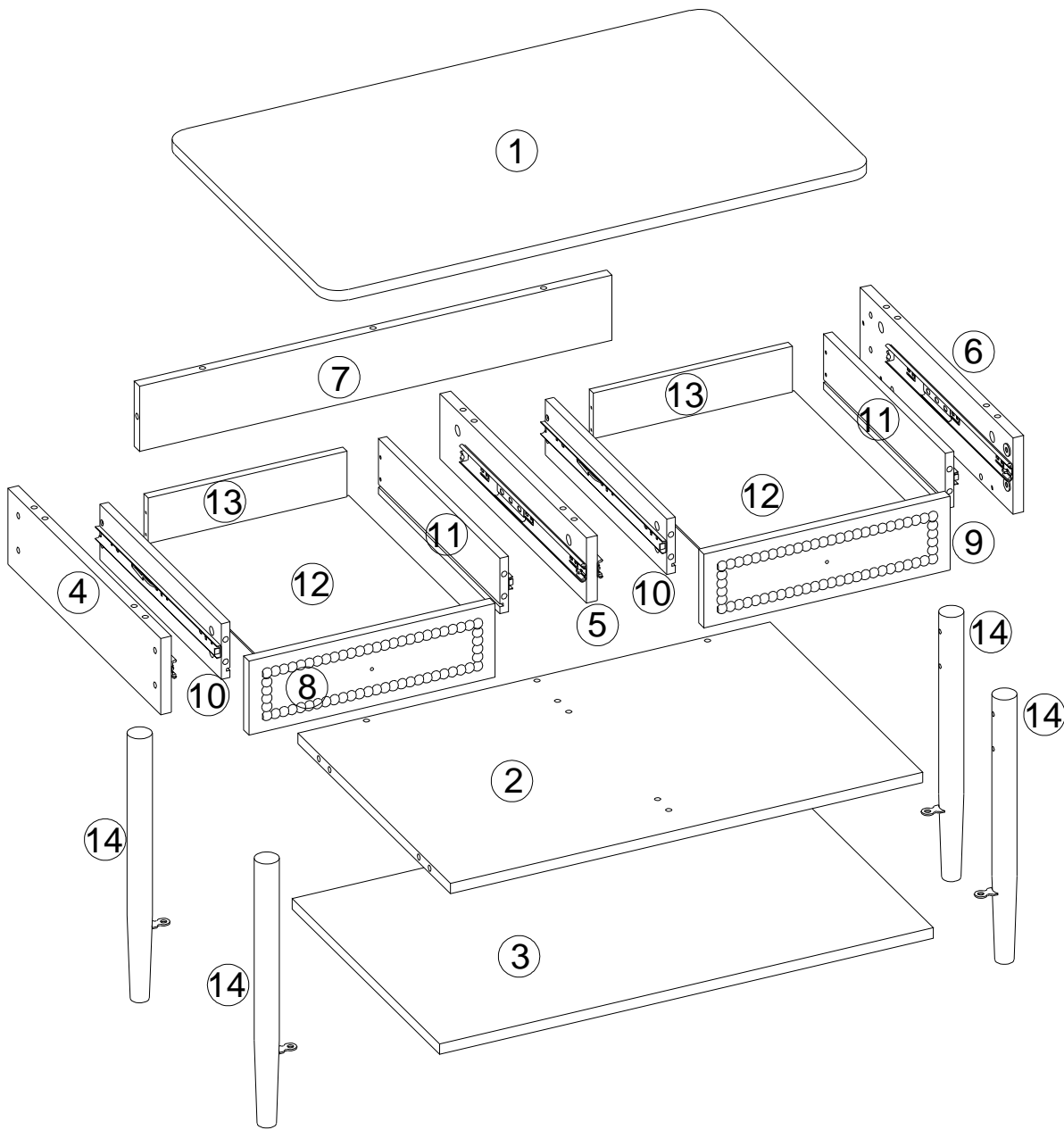
RECYCLING

Please ensure that packaging is disposed of in a safe and environmentally friendly way, and recycle where possible. Please keep your assembly instructions safe to refer back to in the future.

CARE AND MAINTENANCE:

1. Only clean using a damp cloth, do not use bleach or abrasive cleaners as they may damage the finish over time.
2. Do not use a very wet cloth or allow any liquid to contact with the veneer for a long period of time. Wipe any spillage immediately. Absorption can cause wood to warp or finishes to de-laminate.
3. Do not scrub or rub the surface when cleaning.
4. Do not drag the Posy Coffee Table when moving, lift it off the floor instead.
5. Use a placemat or a coaster when putting hot items (e.g. hot drinks and dishes) on the wood surface.
6. It is not recommended to place the item next to sources of heat such as radiators, fires or directly exposed to sunlight. This may cause the wood to crack, split or fade due to the heat and humidity.
7. Wood will mellow and change colour over time, we recommend that ornaments and items placed on the surface to be moved regularly to prevent uneven mellowing.
8. Regularly check all fixings to ensure none have come loose. Re-tighten if necessary.
9. Avoid sharp items such as a screwdriver or any pointy tools.
10. Dispose of all packaging carefully and responsibly - recycle where possible.

Parts list



Parts list

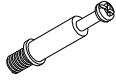














Before you begin building your Posy Coffee Table, please take a moment to read through the instructions and make sure that you have all the relevant parts listed on the parts check list.

Part Number	Part Description	Quantity	Box No
①	Top Panel	1pc	Box 1
②	Bottom Panel	1pc	Box 1
③	Shelf Panel	1pc	Box 1
④	Left Side Panel with Slide pre-assembled	1pc	Box 1
⑤	Middle Panel	1pc	Box 1
⑥	Right Side Panel with Slide pre-assembled	1pc	Box 1
⑦	Back Panel	1pc	Box 1

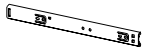


Part Number	Part Description	Quantity	Box No
⑧	Left Drawer Front	1pc	Box 1
⑨	Right Drawer Front	1pc	Box 1
⑩	Drawer Left Slide pre-assembled	2pcs	Box 1
⑪	Drawer Right Slide pre-assembled	2pcs	Box 1
⑫	Drawer Back	2pcs	Box 1
⑬	Support Bar	2pcs	Box 1
⑭	Leg	4pcs	Box 1

Fittings

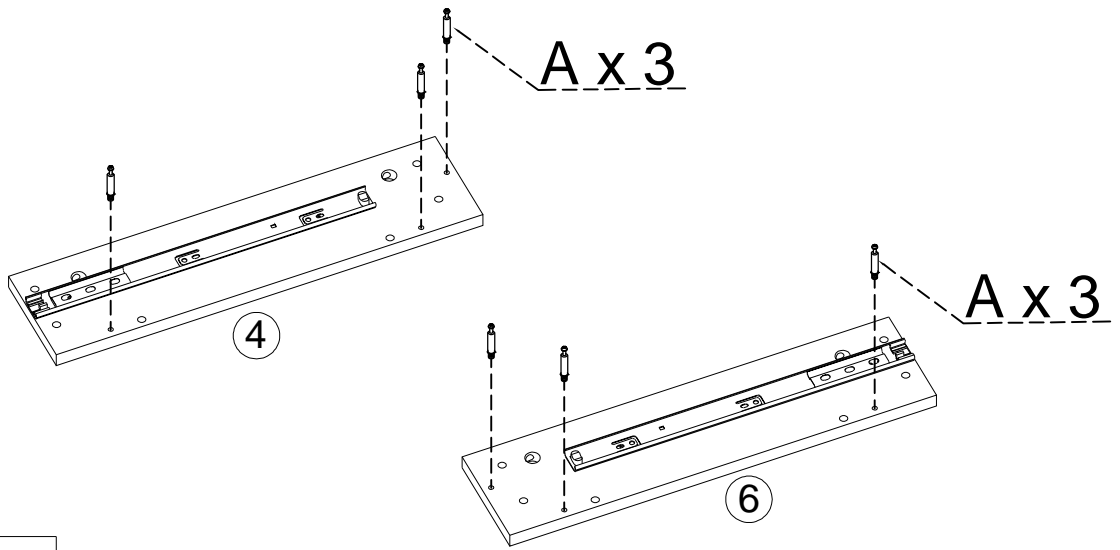
Please check you have all the fittings listed below with your product in box1.

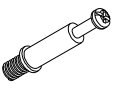
<p>A</p>  <p>M6.3*35mm Bolt 23pcs+2pcs extra</p>	<p>B</p>  <p>Ø15*9 mm Cam Lock 15pcs+1pc extra</p>	<p>C</p>  <p>Ø12*9mm Cam Lock 8pcs+1pc extra</p>	<p>D</p>  <p>M7*38mm Screw 5pcs</p>	<p>E</p>  <p>M4*35mm Screw 8pcs+1pc extra</p>
<p>F</p>  <p>M6*30mm Screw 8pcs+1pc extra</p>	<p>G</p>  <p>M6*12mm Screw 4pcs</p>	<p>H</p>  <p>Ø16mm Washer 8pcs+1pc extra</p>	<p>I</p>  <p>Ø8*30mm Dowel 12pcs+1pc extra</p>	<p>J</p>  <p>4mm Allen Key 1pc</p>
<p>K</p>  <p>Cover 13pcs+1pc extra</p>	<p>L</p>  <p>M4*18mm Screw 2pcs</p>	<p>M</p>  <p>Handle 2pcs</p>	<p>N Pre-assembled Slide</p>  <p>Slide 4pcs</p>	<p>O Pre-assembled Screw</p>  <p>M3.5*12mm Screw 16pcs</p>

Pre-assembled Fittings

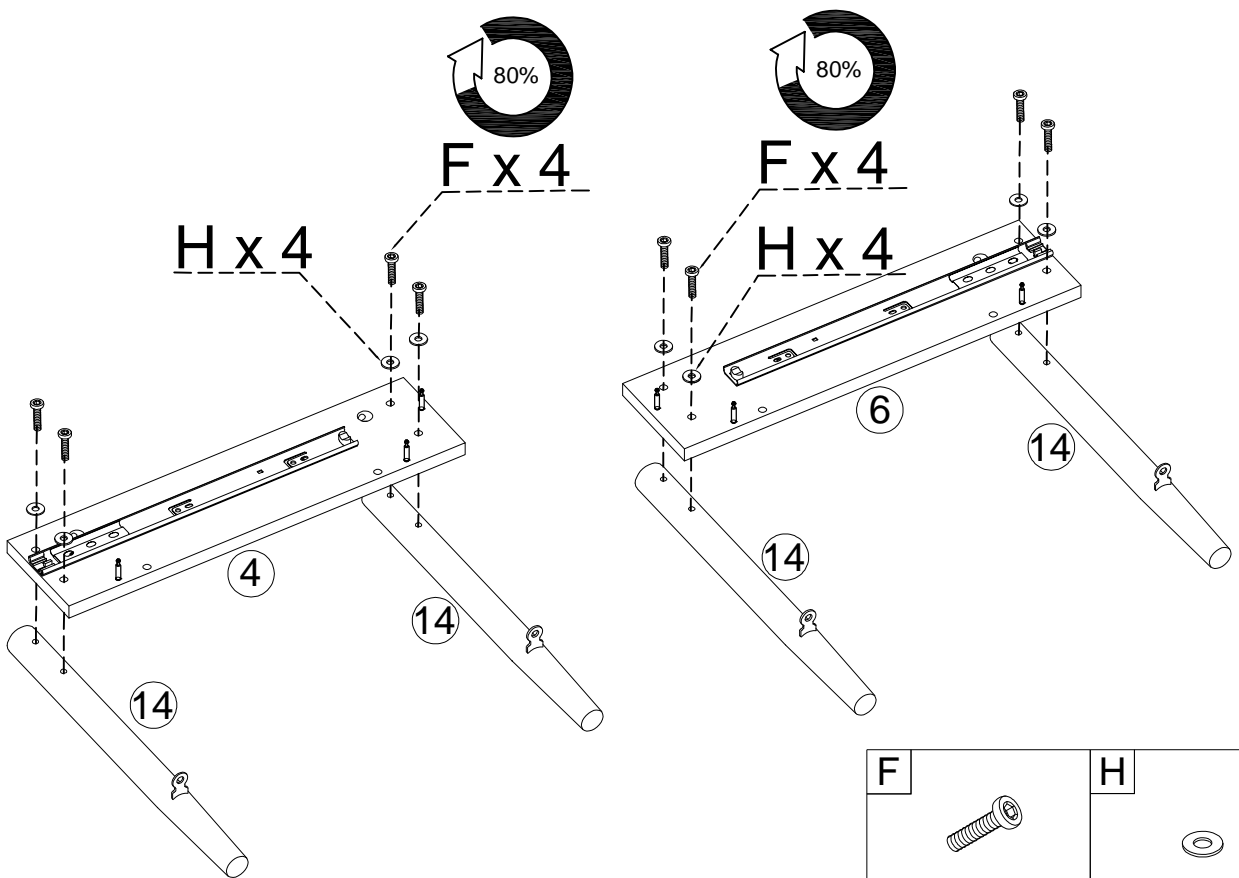
<p>N-1</p>  <p>Slide 4pcs</p>	<p>N-2</p>  <p>Slide 4pcs</p>	<p>O</p>  <p>M3.5*12mm Screw 16pcs</p>
---	---	--



1.



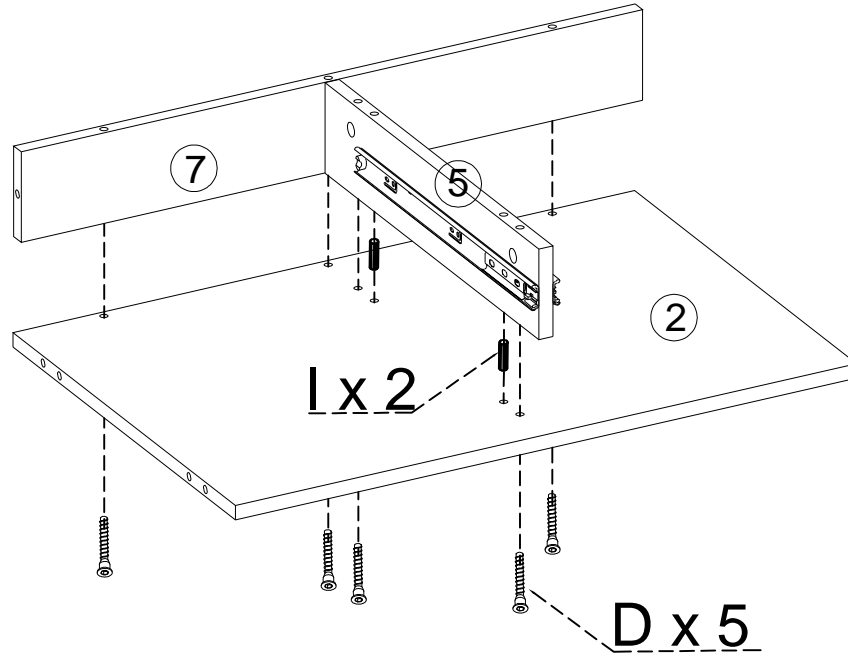
A	
M6.3*35mm Bolt	
6pcs	



2.



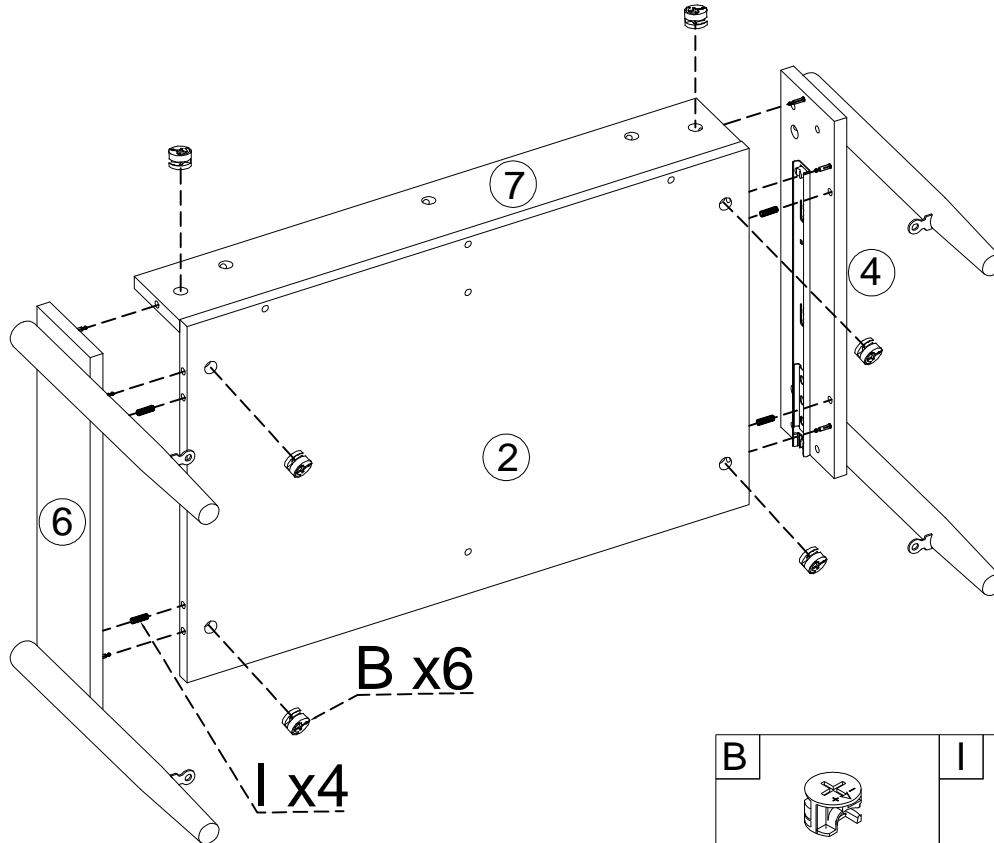
F	H
	
M6*30mm Screw	Ø16mm Washer
8pcs	8pcs



3.



D		I	
	M7*38mm Screw		Ø8*30mm Dowel
	5pcs		2pcs

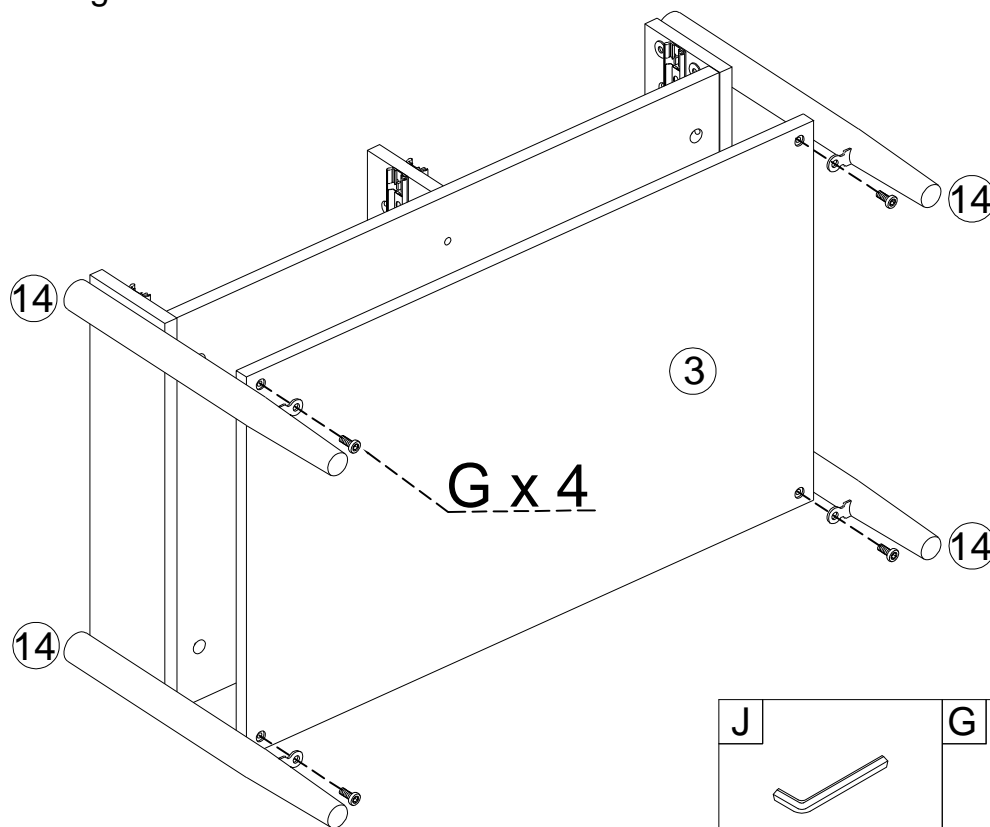
4.





B		I	
	Ø15*9 mm Cam Lock		Ø8*30mm Dowel
	6pcs		4pcs

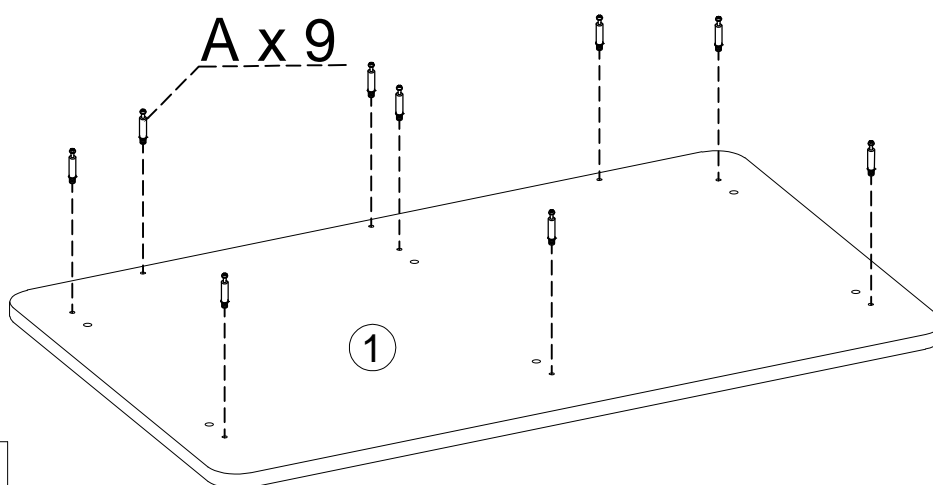
5. Ensure the side panel and leg tubes are level before tightening the screws, or place the assembly upside down on a flat surface before tightening.

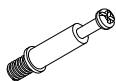
Tightening G 100% firstly
Tightening F 100% later.



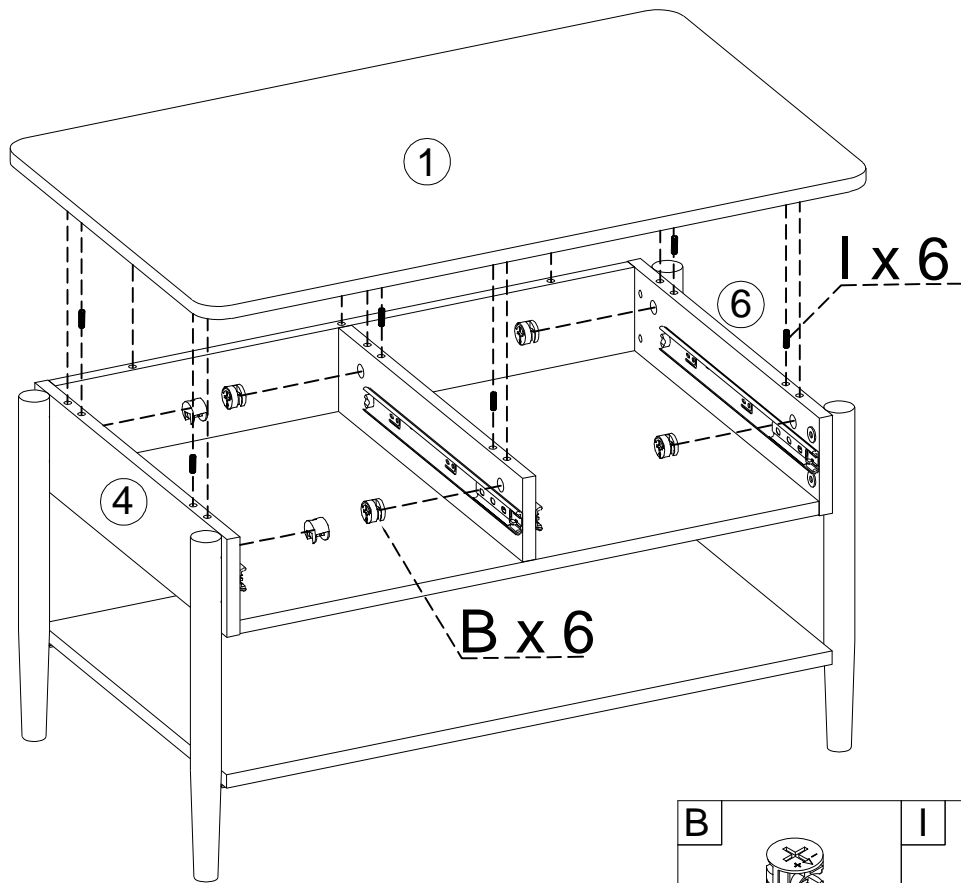
J		G	
	4mm Allen Key		M6*12mm Screw
	1pc		4pcs



- 6.



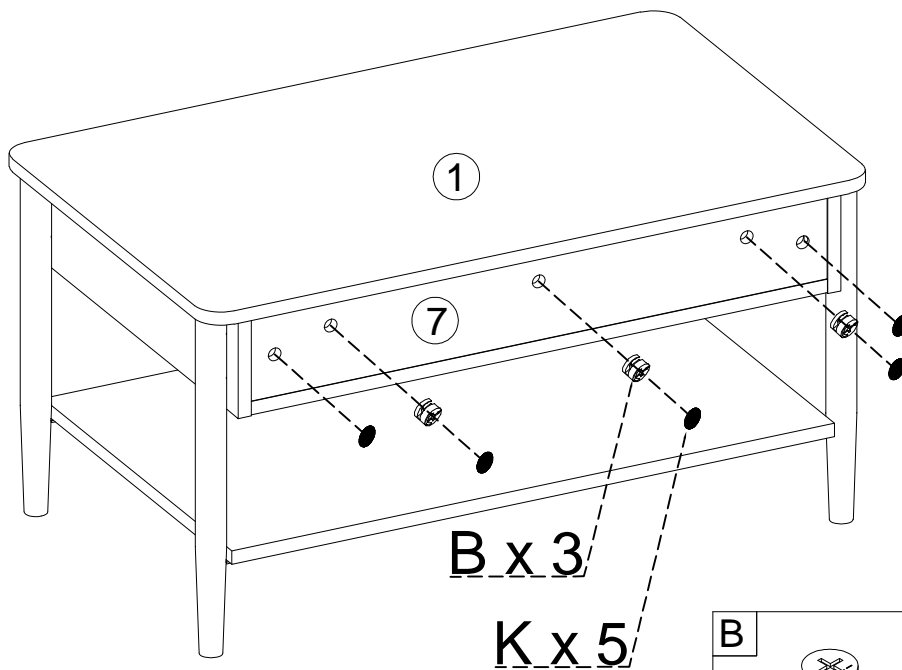
A	
	M6.3*35mm Bolt
	9pcs

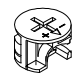

7.



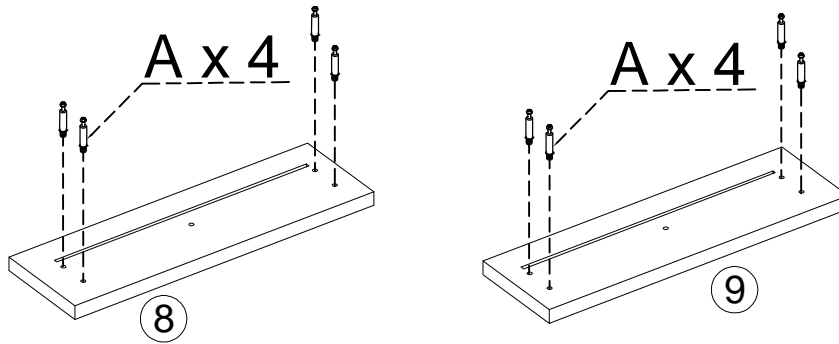
B 	I 
Ø15*9 mm Cam Lock 6pcs	Ø8*30mm Dowel 6pcs

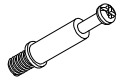
8.



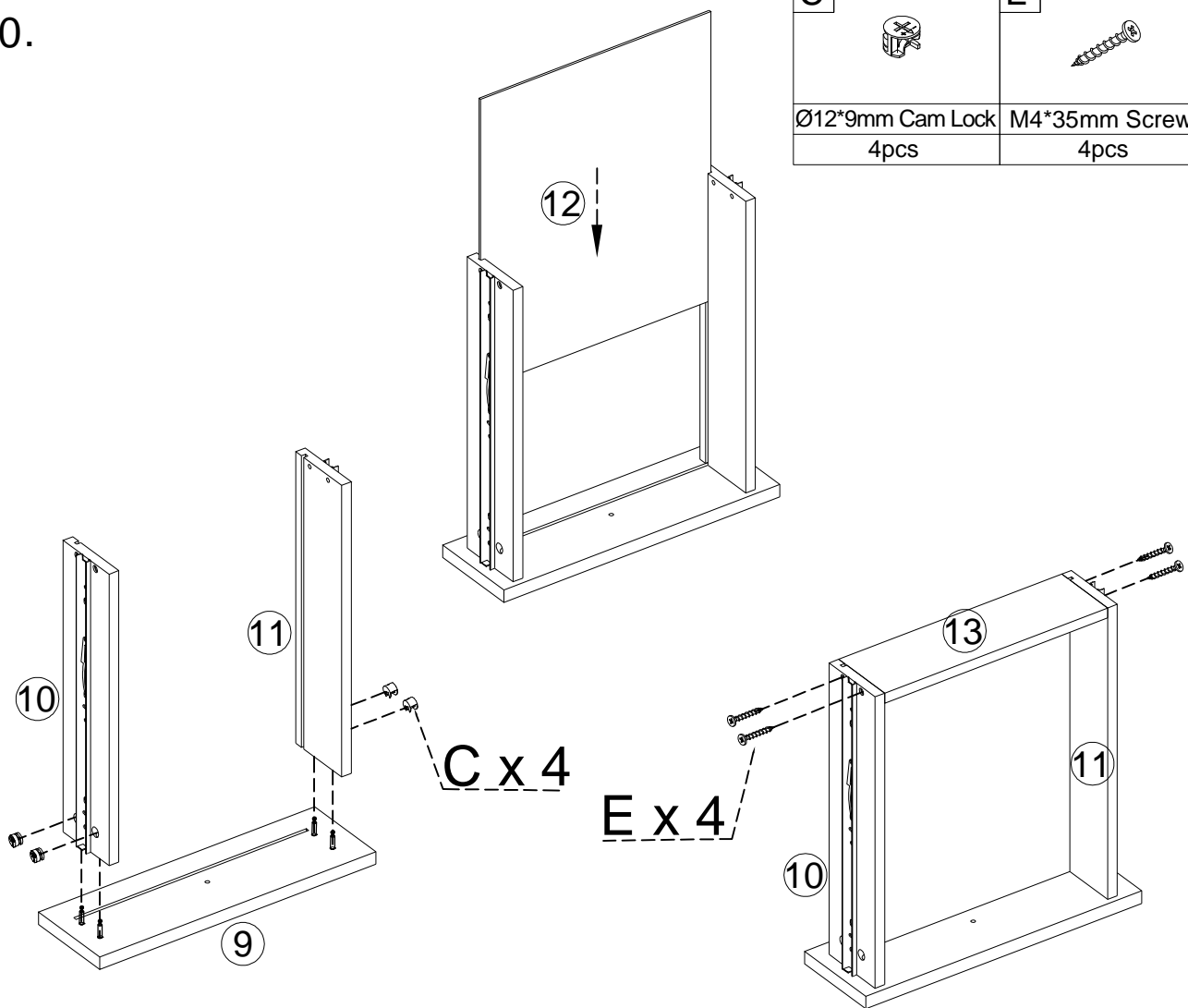
B 	K 
Ø15*9 mm Cam Lock 3pcs	Cover 5pcs



9.



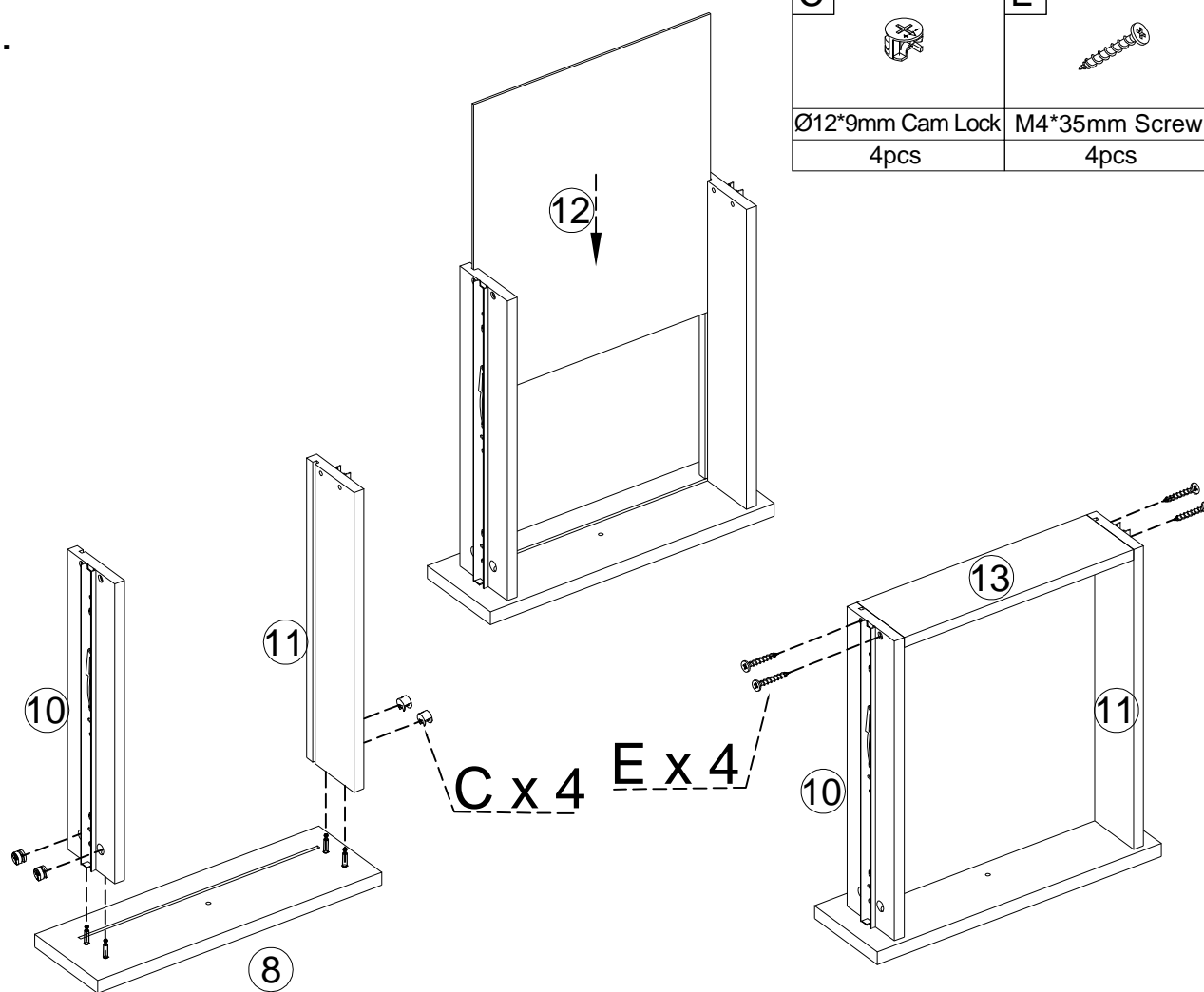
A	
M6.3*35mm Bolt	
8pcs	



10.



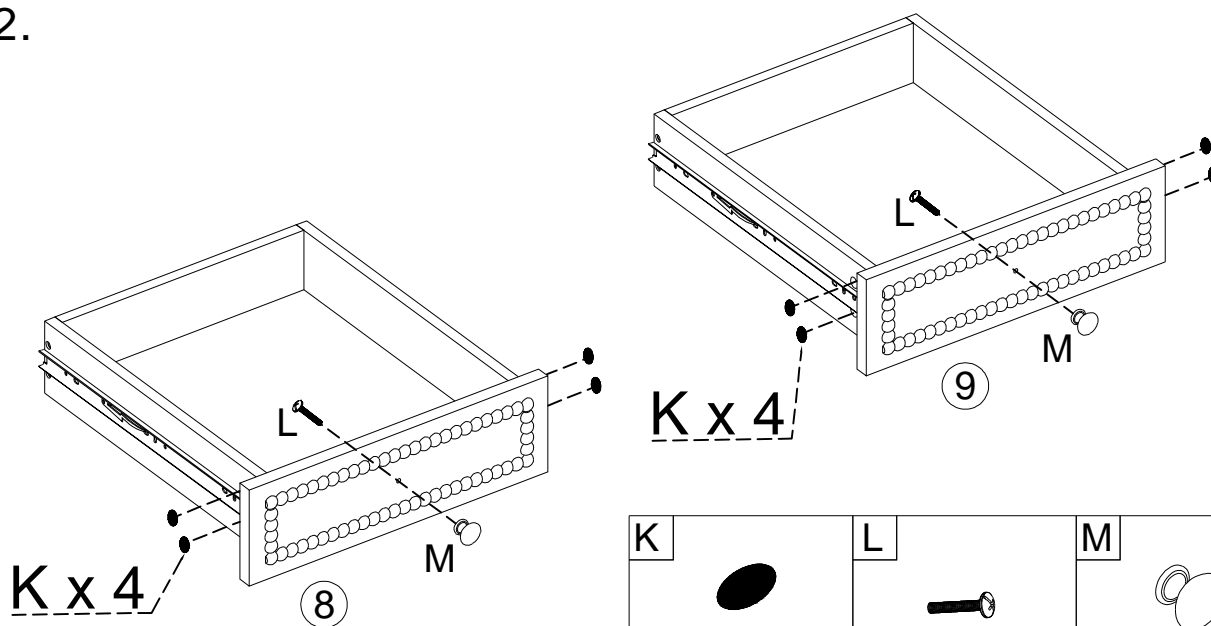
C		E	
Ø12*9mm Cam Lock		M4*35mm Screw	
4pcs		4pcs	




11.



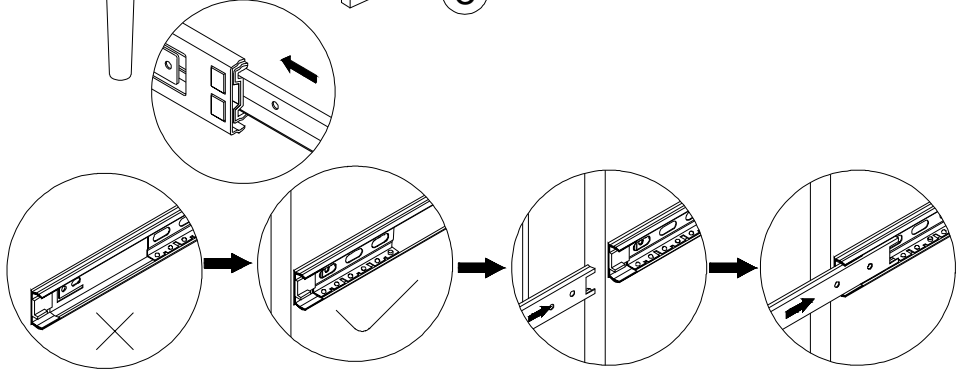
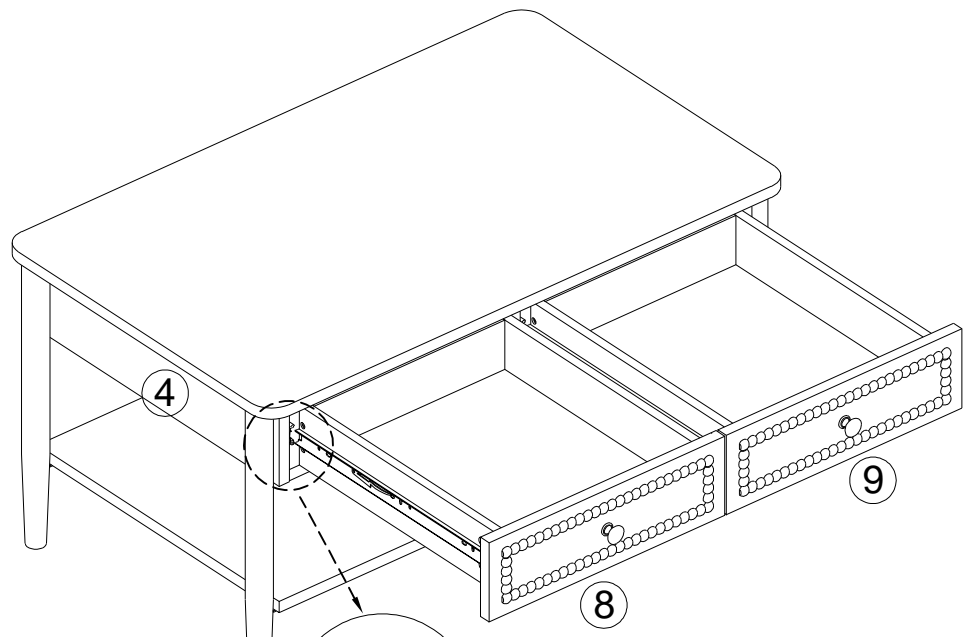
C	E
	
Ø12*9mm Cam Lock 4pcs	M4*35mm Screw 4pcs

12.

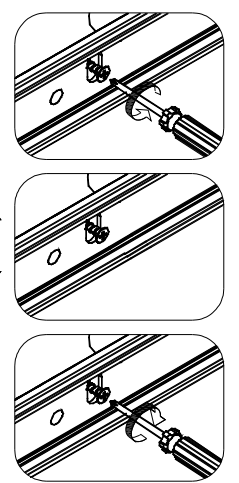
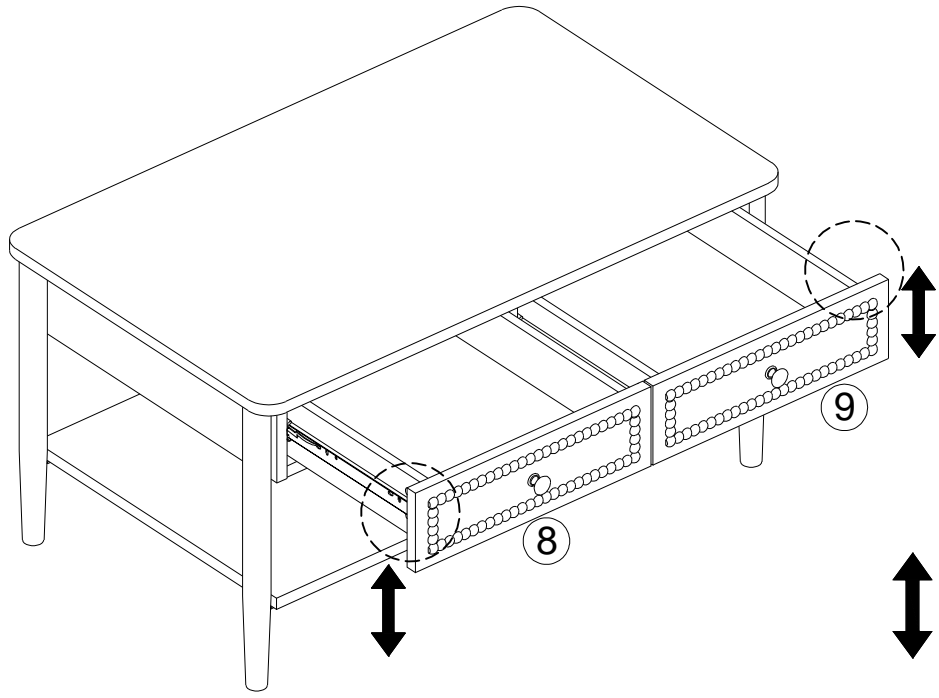


K	L	M
		
Cover 8pcs	M4*18mm Screw 2pcs	Handle 2pcs

13.



14.



15.

