

# DUSK.COM

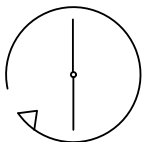
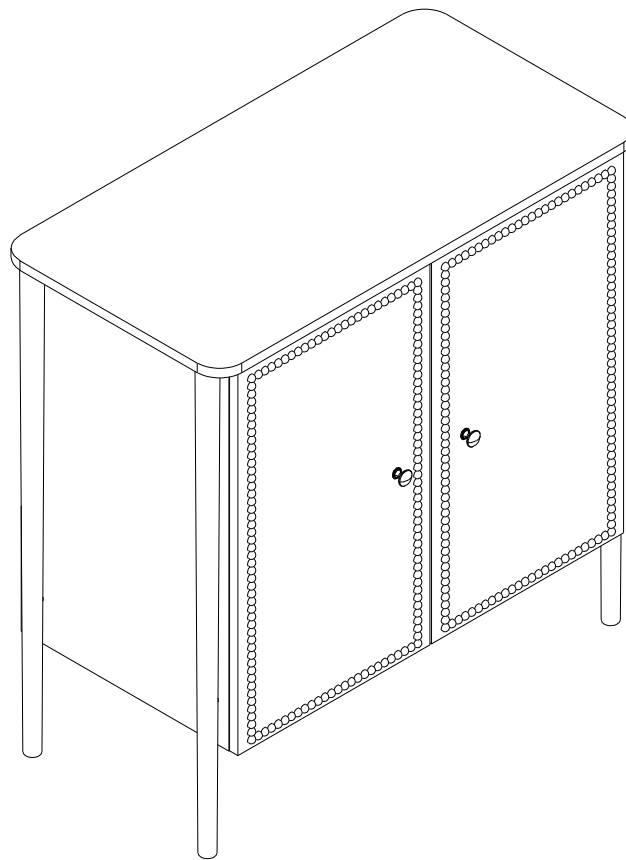
LIVING | BEDROOM | DINING

Range Name : Posy

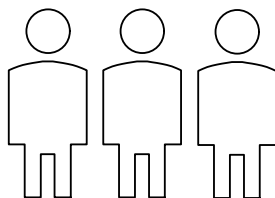
Box1 Dimension : W90xD51xH20.5cm

Product Dimension : W77xD40xH78cm

## Posy 2 Door Sideboard



Up to 90 minutes  
assembly time



Three person  
assembly



Electric screwdriver  
prohibited

This product is intended for domestic use only, not for commercial purposes.

P-1-14  
v-1.0

## IMPORTANT

### ASSEMBLY TIP

Before you begin, it's best to identify all of the parts and fittings to build your Posy 2 Door Sideboard frame. We advise laying these out on the floor to check you have everything, and to familiarise yourself with all of the parts and fittings before building.

### TOP TIP

We recommend that you assemble the Posy 2 Door Sideboard in the room you'd like it to be located. This will help prevent any risk of damage to the frame whilst moving it.

### SAFETY AND CARE

It's important to ensure children and animals are kept away from the assembly area, as there are small components used in this product which could present a choking hazard. All plastic and wrapping materials should also be kept away from children and animals to prevent any risk of suffocation.

### HELP AND SUPPORT

Please contact our customer service team on 0113 519 0311 if you have any questions or issues with your purchase.

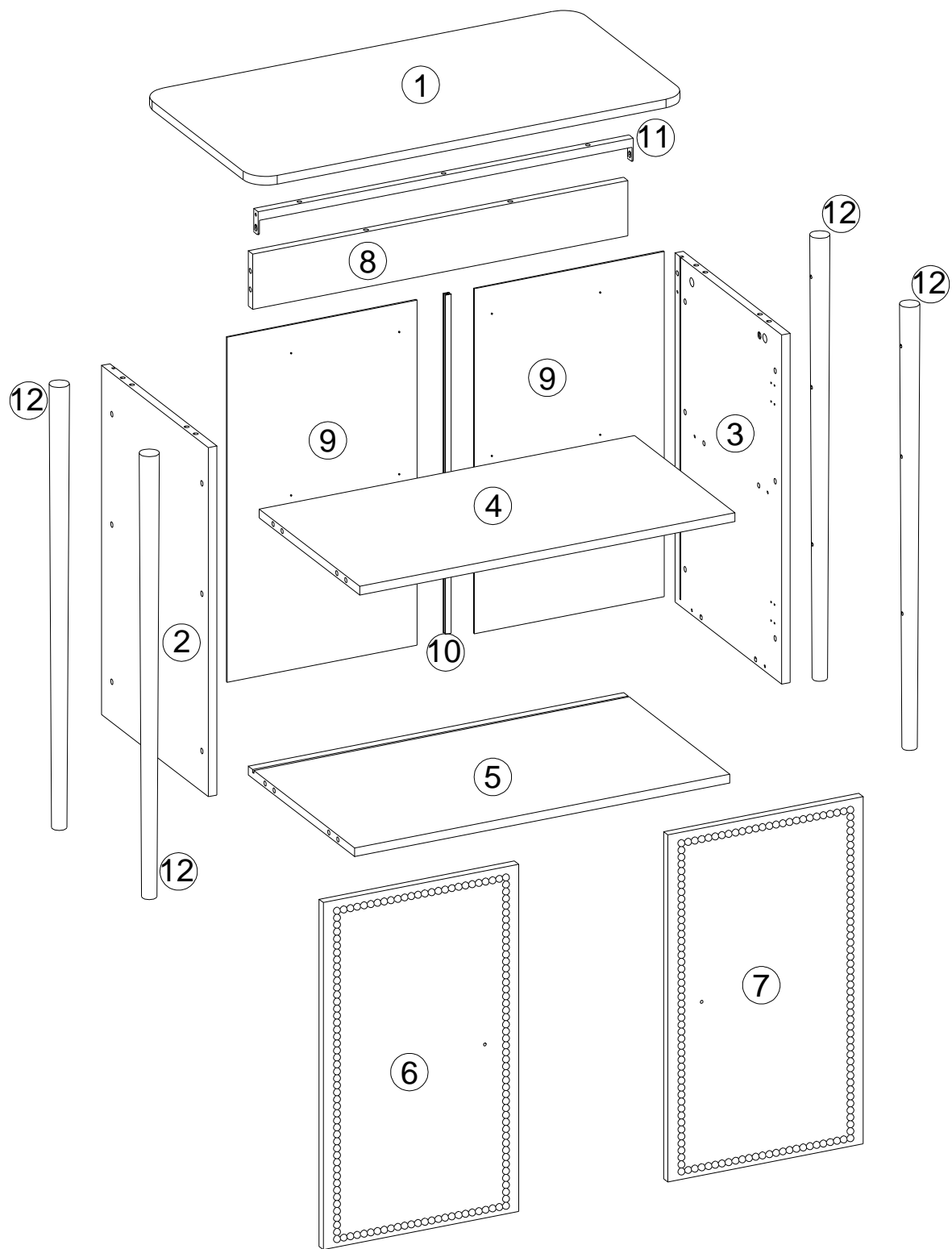
### RECYCLING

Please ensure that packaging is disposed of in a safe and environmentally friendly way, and recycle where possible. Please keep your assembly instructions safe to refer back to in the future.

### CARE AND MAINTENANCE:

1. Only clean using a damp cloth, do not use bleach or abrasive cleaners as they may damage the finish over time.
2. Do not use a very wet cloth or allow any liquid to contact with the veneer for a long period of time. Wipe any spillage immediately. Absorption can cause wood to warp or finishes to de-laminate.
3. Do not scrub or rub the surface when cleaning.
4. Do not drag the Posy 2 Door Sideboard when moving, lift it off the floor instead.
5. Use a placemat or a coaster when putting hot items (e.g. hot drinks and dishes) on the wood surface.
6. It is not recommended to place the item next to sources of heat such as radiators, fires or directly exposed to sunlight. This may cause the wood to crack, split or fade due to the heat and humidity.
7. Wood will mellow and change colour over time, we recommend that ornaments and items placed on the surface to be moved regularly to prevent uneven mellowing.
8. Regularly check all fixings to ensure none have come loose. Re-tighten if necessary.
9. Avoid sharp items such as a screwdriver or any pointy tools.
10. Dispose of all packaging carefully and responsibly - recycle where possible.

# Parts list



## Parts list

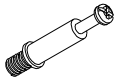
Before you begin building your Posy 2 Door Sideboard , please take a moment to read through the instructions and make sure that you have all the relevant parts listed on the parts check list .


Part Number	Part Description	Quantity	Box No
①	Top Panel	1pc	Box 1
②	Left Side Panel	1pc	Box 1
③	Right Side Panel	1pc	Box 1
④	Shelf	1pc	Box 1
⑤	Bottom Panel	1pc	Box 1
⑥	Left door panel	2pcs	Box 1


Part Number	Part Description	Quantity	Box No
⑦	Right door panel	1 pc	Box 1
⑧	Support Bar	1 pc	Box 1
⑨	Back Panel	2pcs	Box 1
⑩	Plastic Slot	1 pc	Box 1
⑪	Connect Bar	1 pc	Box 1
⑫	Leg	4pcs	Box 1


# Fittings


Please check you have all the fittings listed below with your product in box 1.


<b>A</b>	
M6.3*35mm Bolt 16pcs+2pcs extra	


<b>B</b>	
Ø15*9mm Cam Lock 16pcs+2pcs extra	


<b>C</b>	
Ø8*30mm Dowel 14pcs+1pc extra	


<b>D</b>	
M6*24mm Screw 3pcs	


<b>E</b>	
Cover 4pcs	


<b>F</b>	
M6*30mm Screw 12pcs+1pc extra	


<b>G</b>	
M6*10mm Screw 2pcs	


<b>H</b>	
16mm Washer 16pcs+2pcs extra	


<b>I</b>	
M4*14mm Screw 10pcs+1pc extra	


<b>J</b>	
Straight Arm Hinge 4pcs	


<b>K</b>	
M3.5*14mm Screw 24pcs+3pcs extra	


<b>L</b>	
Handle 2pcs	

<b>M</b>	
M4*18mm Screw 2pcs	

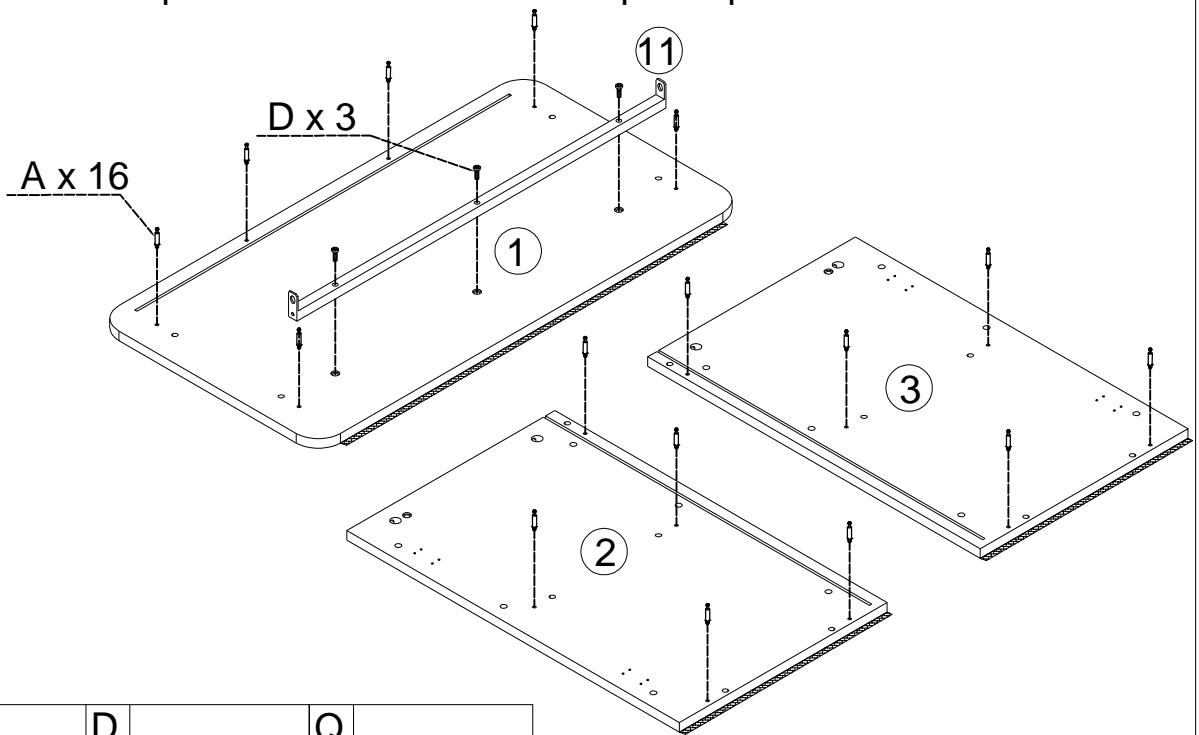
<b>N</b>	
M5*35mm Screw 2pcs	

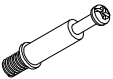


<b>O</b>	
Anti-tipping Belt 2pcs	

<b>P</b>	
8mm Wall Plug 2pcs	

<b>Q</b>	
4mm Allen Key 1pc	

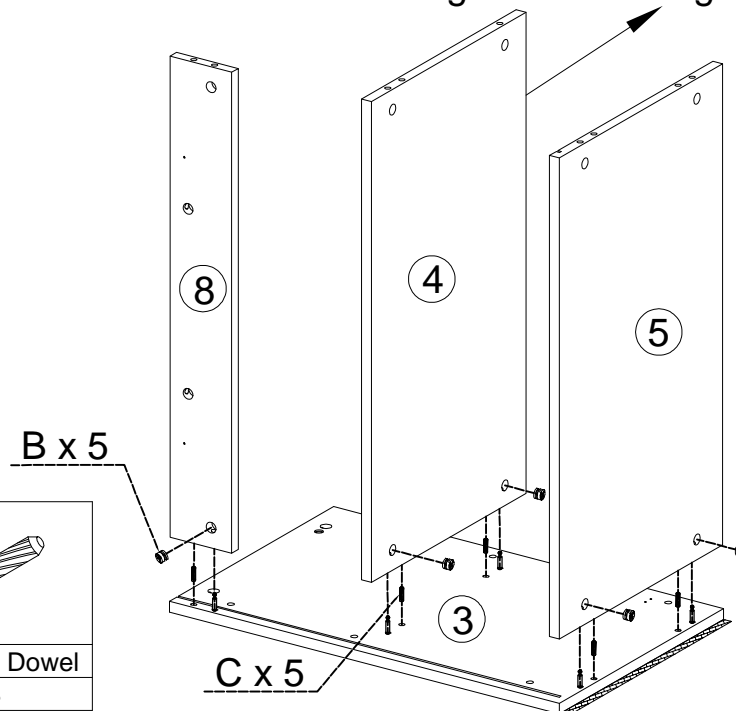
1. Assemble all panels on EPS foam or carpet to prevent surface scratches.


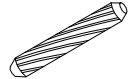


<b>A</b> 	<b>D</b> 	<b>Q</b> 
M6.3*35mm Bolt 16pcs	M6*24mm Screw 3pcs	4mm Allen Key 1pc

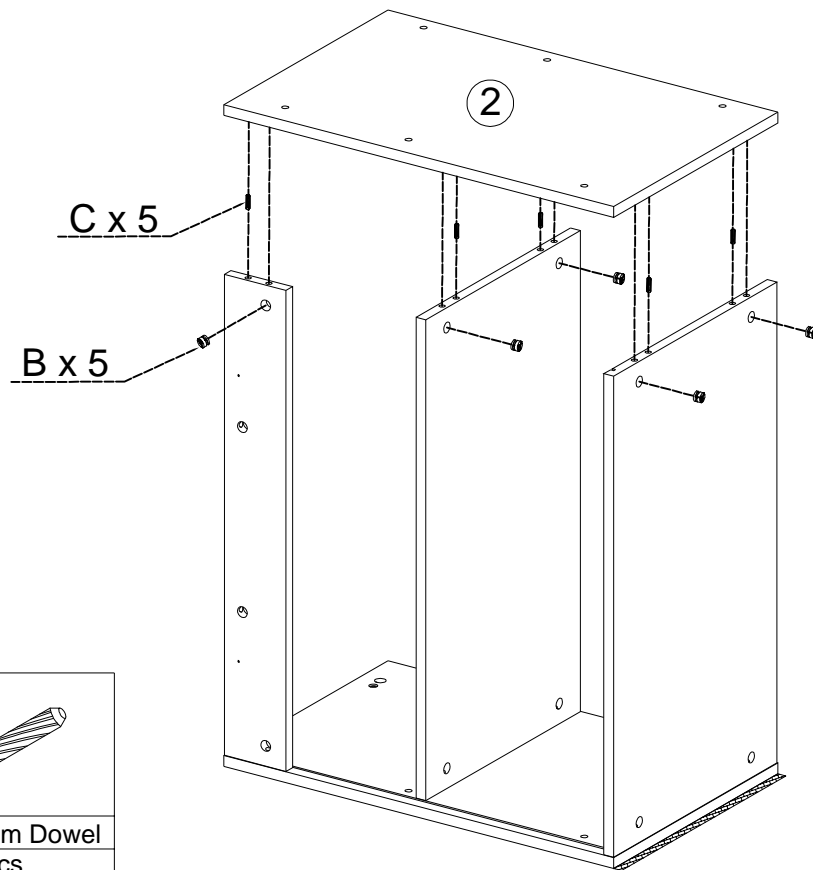
2. Assemble all panels on EPS foam or carpet to prevent surface scratches.



The edge with banding to be outward.



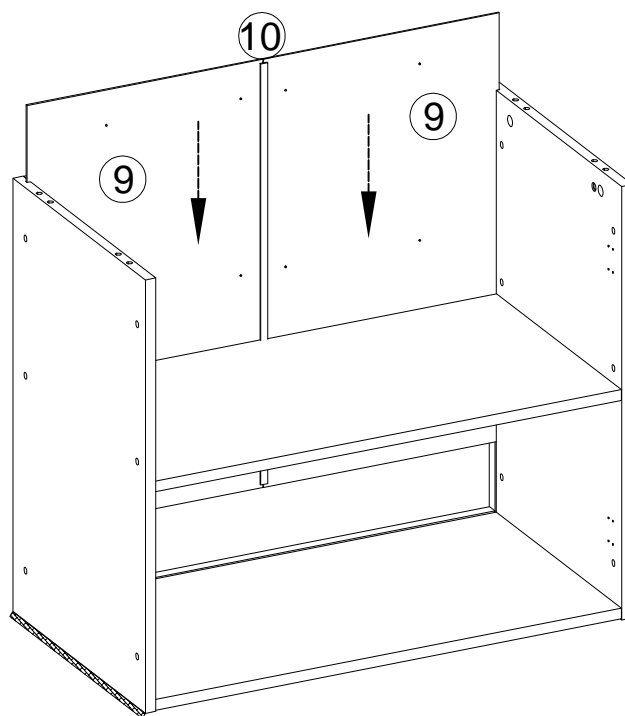
<b>B</b> 	<b>C</b> 
Ø15*9mm Lock 5pcs	Ø8*30mm Dowel 5pcs

3.

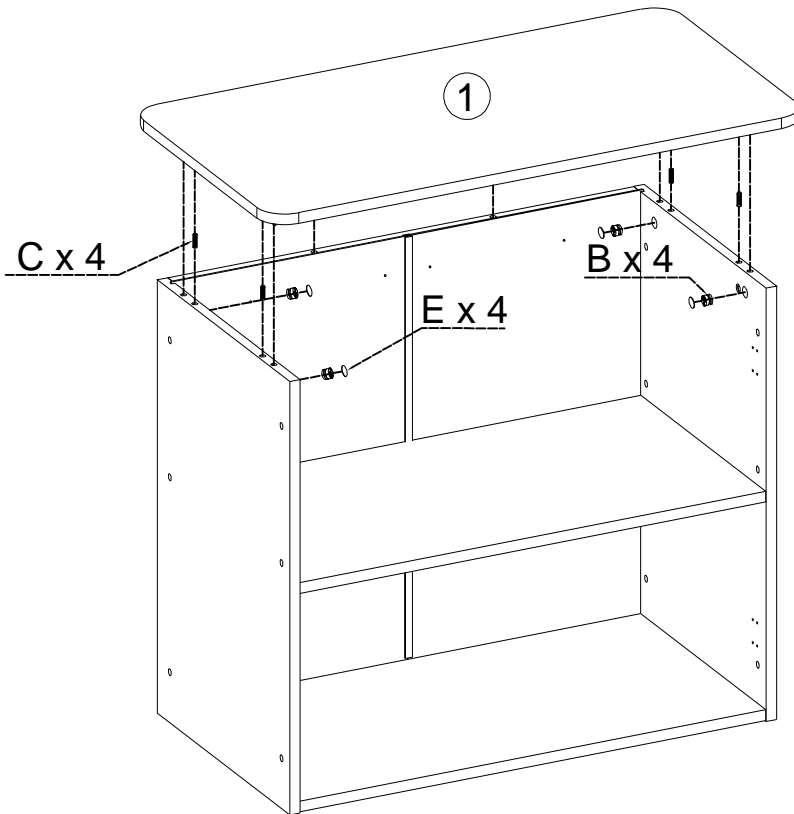





<b>B</b>		<b>C</b>	
Ø15*9mm Lock 5pcs		Ø8*30mm Dowel 5pcs	

4. Assemble all panels on EPS foam or carpet to prevent surface scratches.

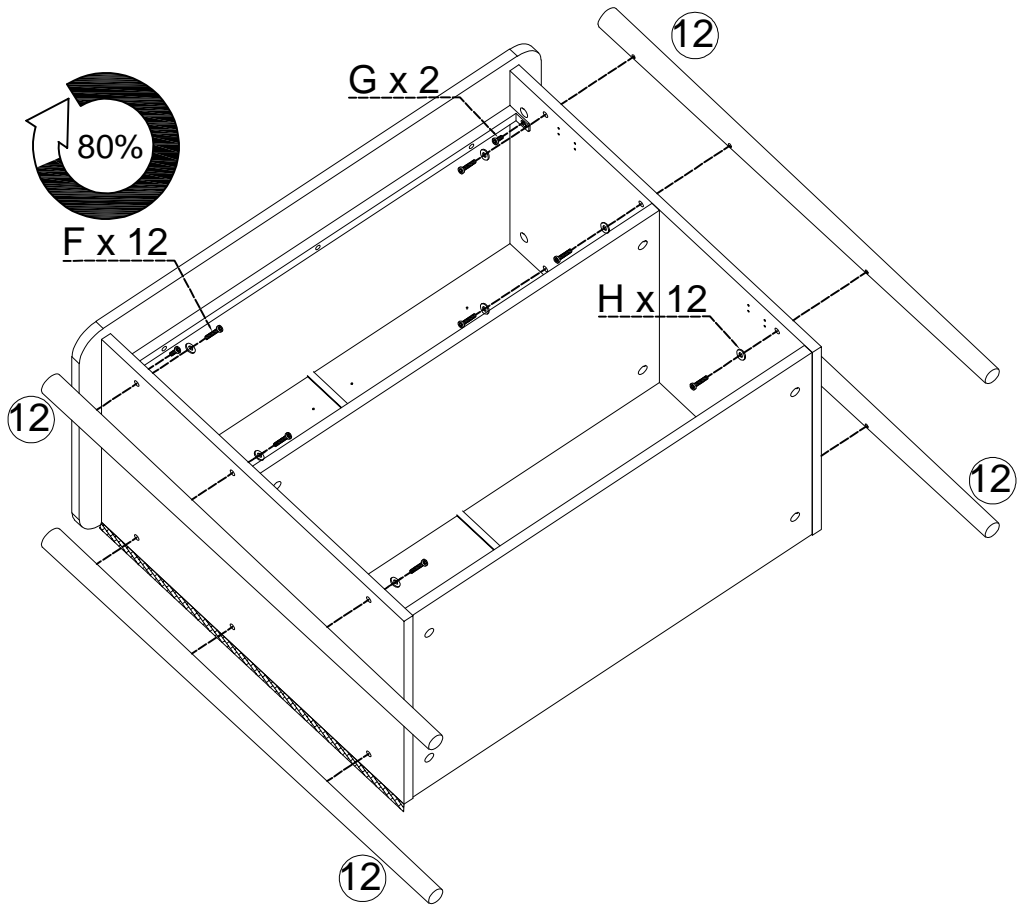






5.



<b>B</b>		<b>C</b>		<b>E</b>	
Ø15*9mm Lock		Ø8*30mm Dowel		Cover	
4pcs		4pcs		4pcs	

6. Assemble all panels on EPS foam or carpet to prevent surface scratches.

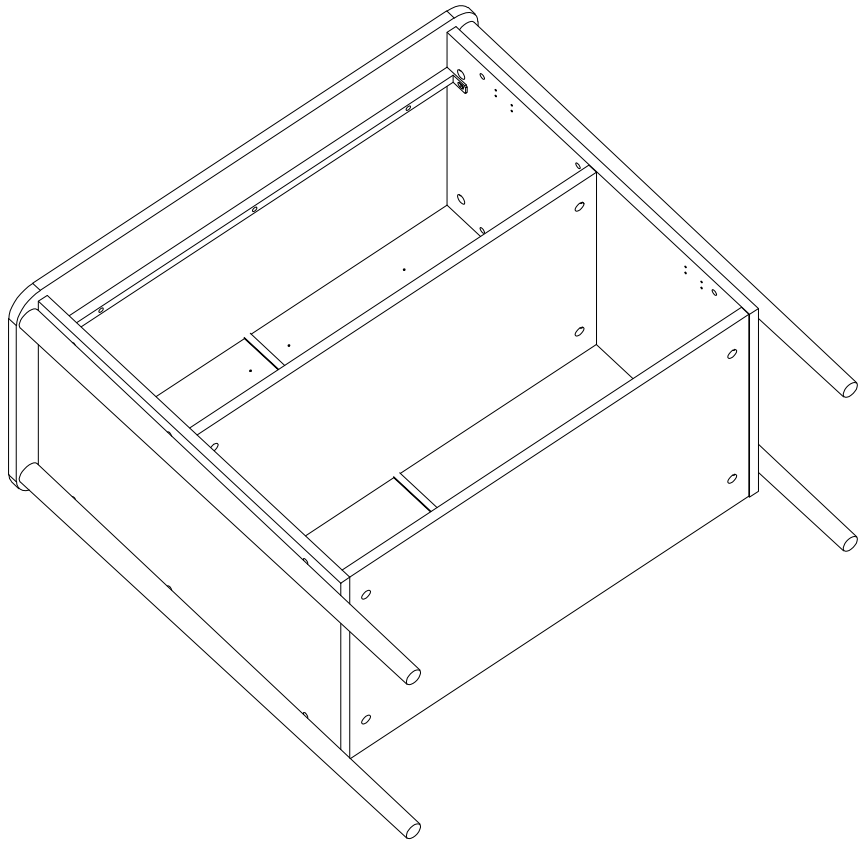



<b>F</b>		<b>G</b>		<b>H</b>		<b>Q</b>	
M6*30mm Screw	12pcs	M6*10mm Screw	2pcs	16mm Washer	12pcs	4mm Allen Key	1pc

7.

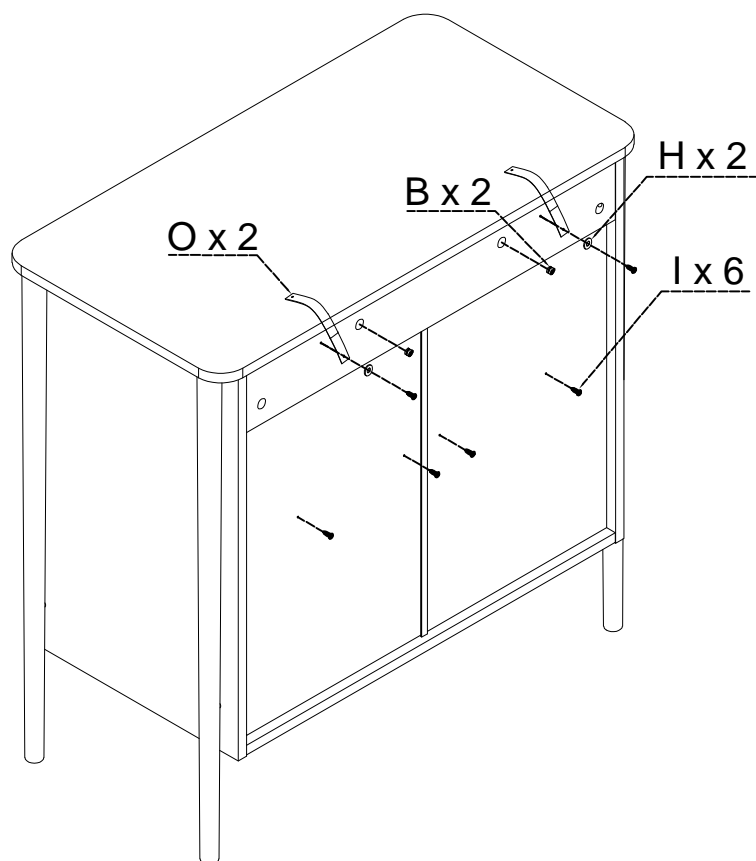






F x 12



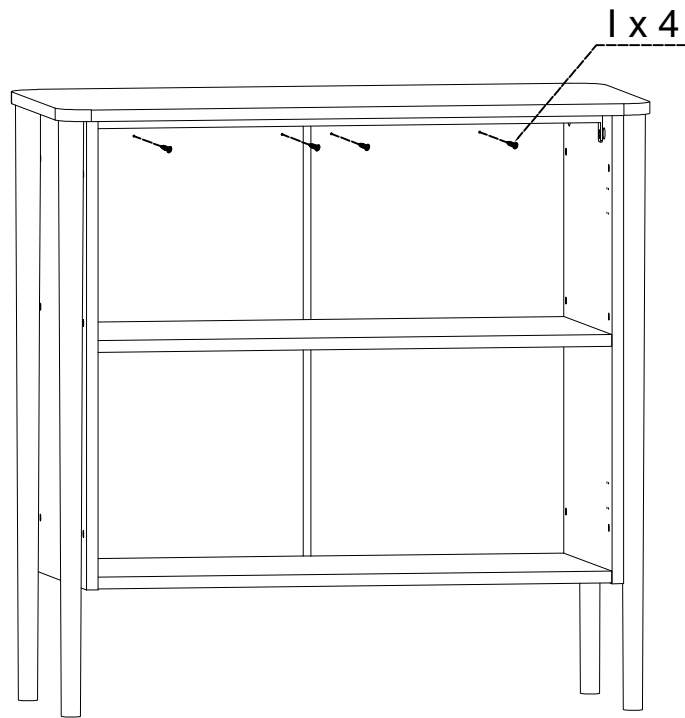
Q

4mm Allen Key
1pc


8.



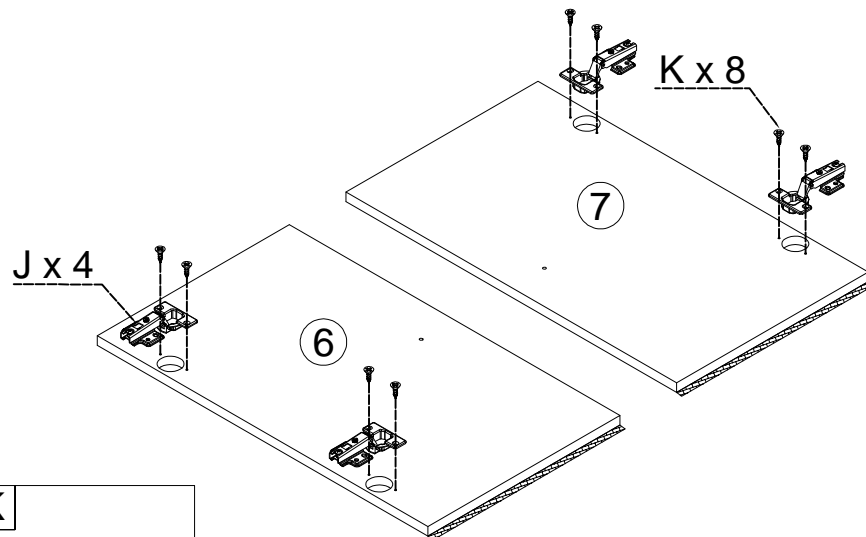
<p><b>B</b></p> 	<p><b>H</b></p> 	<p><b>I</b></p> 	<p><b>O</b></p> 
<p>Ø15*9mm Lock 2pcs</p>	<p>16mm Washer 2pcs</p>	<p>M4*14mm Screw 6pcs</p>	<p>Anti-tipping Belt 2pcs</p>



9.



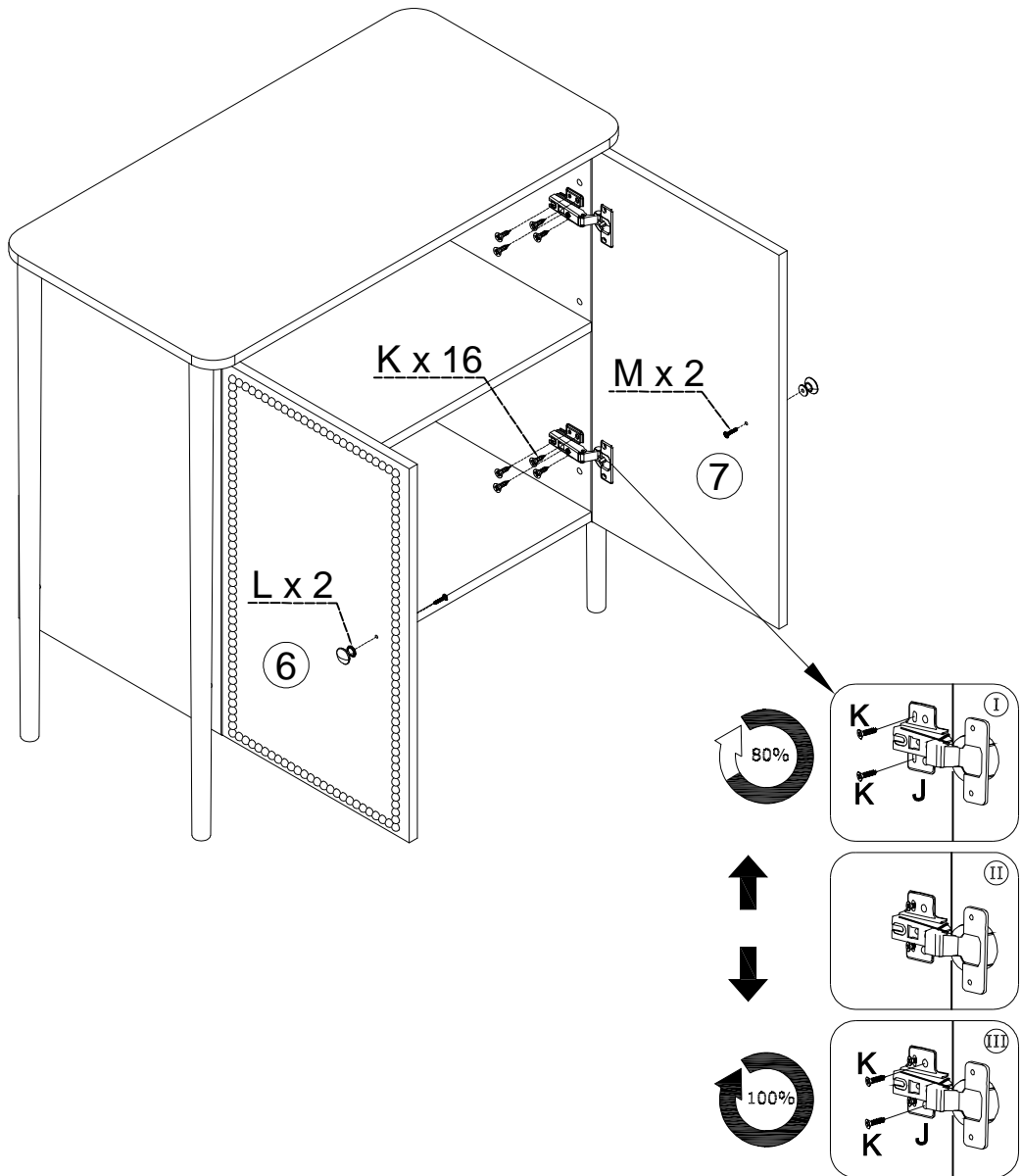
I

M4*14mm Screw
4pcs




10. Assemble all panels on EPS foam or carpet to prevent surface scratches.



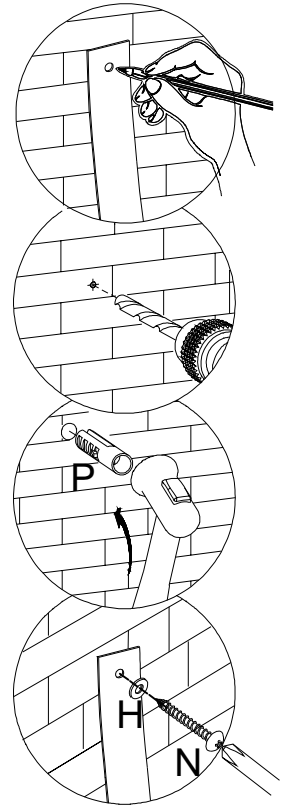
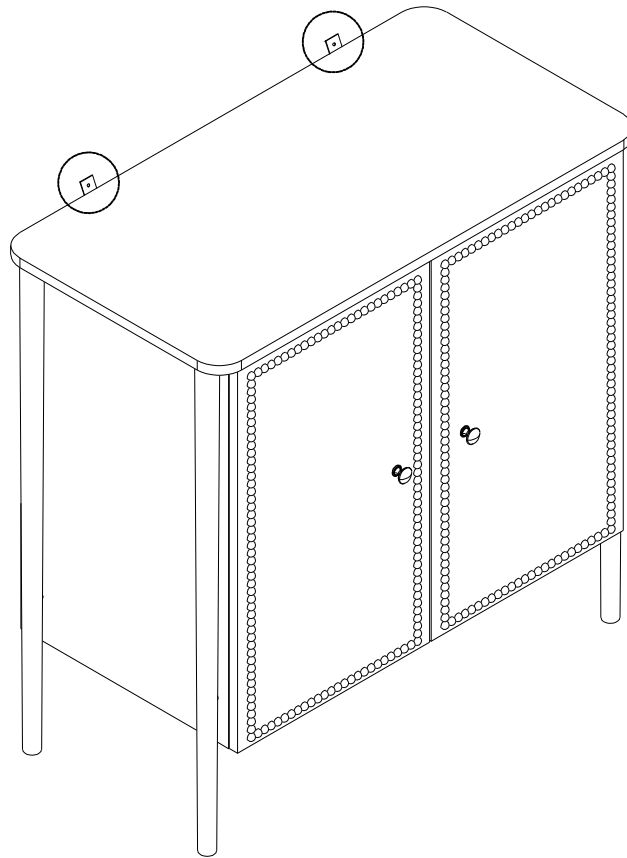
J	K
	
Straight Arm Hinge	M3.5*14mm Screw
4pcs	8pcs




11.



<p><b>K</b></p> 	<p><b>L</b></p> 	<p><b>M</b></p> 
<p>M3.5*14mm Screw 16pcs</p>	<p>Handle 2pcs</p>	<p>M4*18mm Screw 2pcs</p>

12.



<b>H</b> 	<b>N</b> 	<b>P</b> 
16mm Washer 2pcs	M5*35mm Screw 2pcs	8mm Wall Plug 2pcs