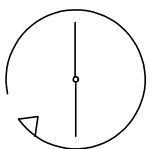
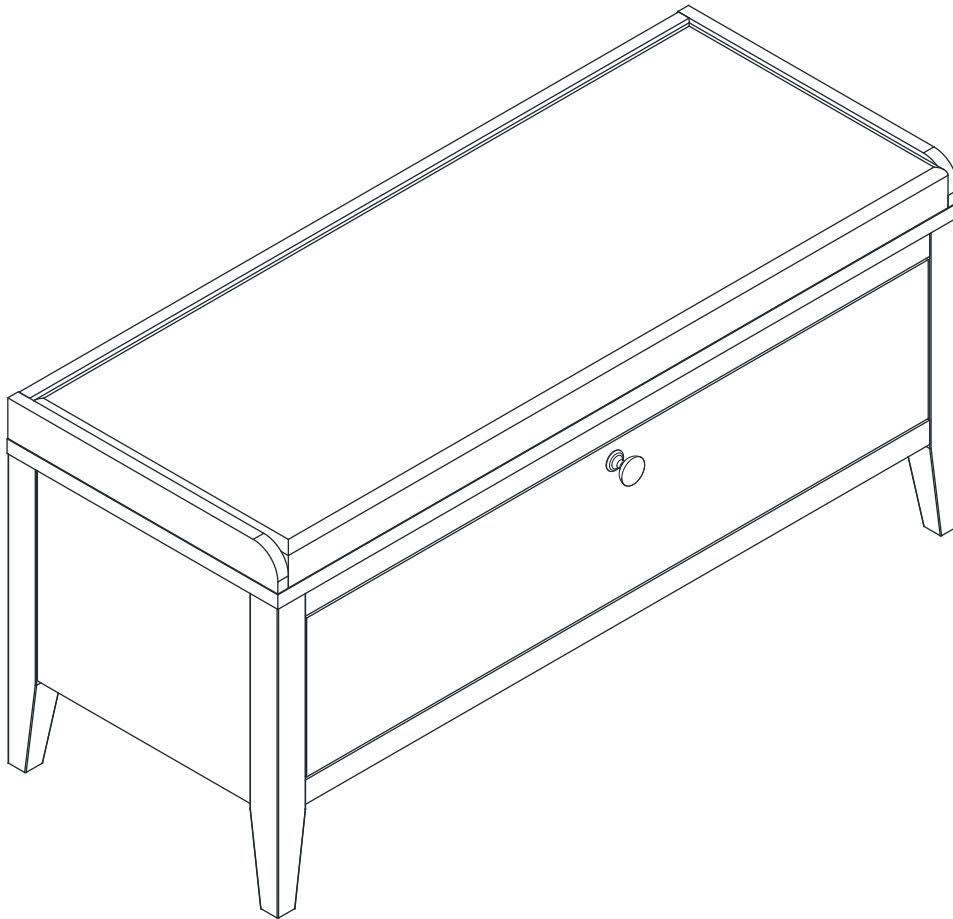


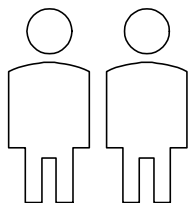
**DUSK.COM**  
LIVING | BEDROOM | DINING

Range Name : Poppy/Nell  
Product Dimension :  
Nell:W100xD40xH45cm  
Box 1 dimensions : W114xD50xH19.5cm  
Poppy:W97xD38.5xH45cm  
Box 1 dimensions :W112xD48xH19.5cm

## Storage with Seat



Up to 40 minutes  
assembly time



Two person  
assembly



Electric screwdriver  
prohibited

This product is intended for domestic use only, not for commercial purposes.

P-1-12  
V-1.0

## IMPORTANT

### ASSEMBLY TIP

Before you begin, it's best to identify all of the parts and fittings to build your Storage with Seat frame. We advise laying these out on the floor to check you have everything, and to familiarise yourself with all of the parts and fittings before building.

### TOP TIP

We recommend that you assemble the Storage with Seat in the room you'd like it to be located. This will help prevent any risk of damage to the frame whilst moving it.

### SAFETY AND CARE

It's important to ensure children and animals are kept away from the assembly area, as there are small components used in this product which could present a choking hazard. All plastic and wrapping materials should also be kept away from children and animals to prevent any risk of suffocation.

### HELP AND SUPPORT

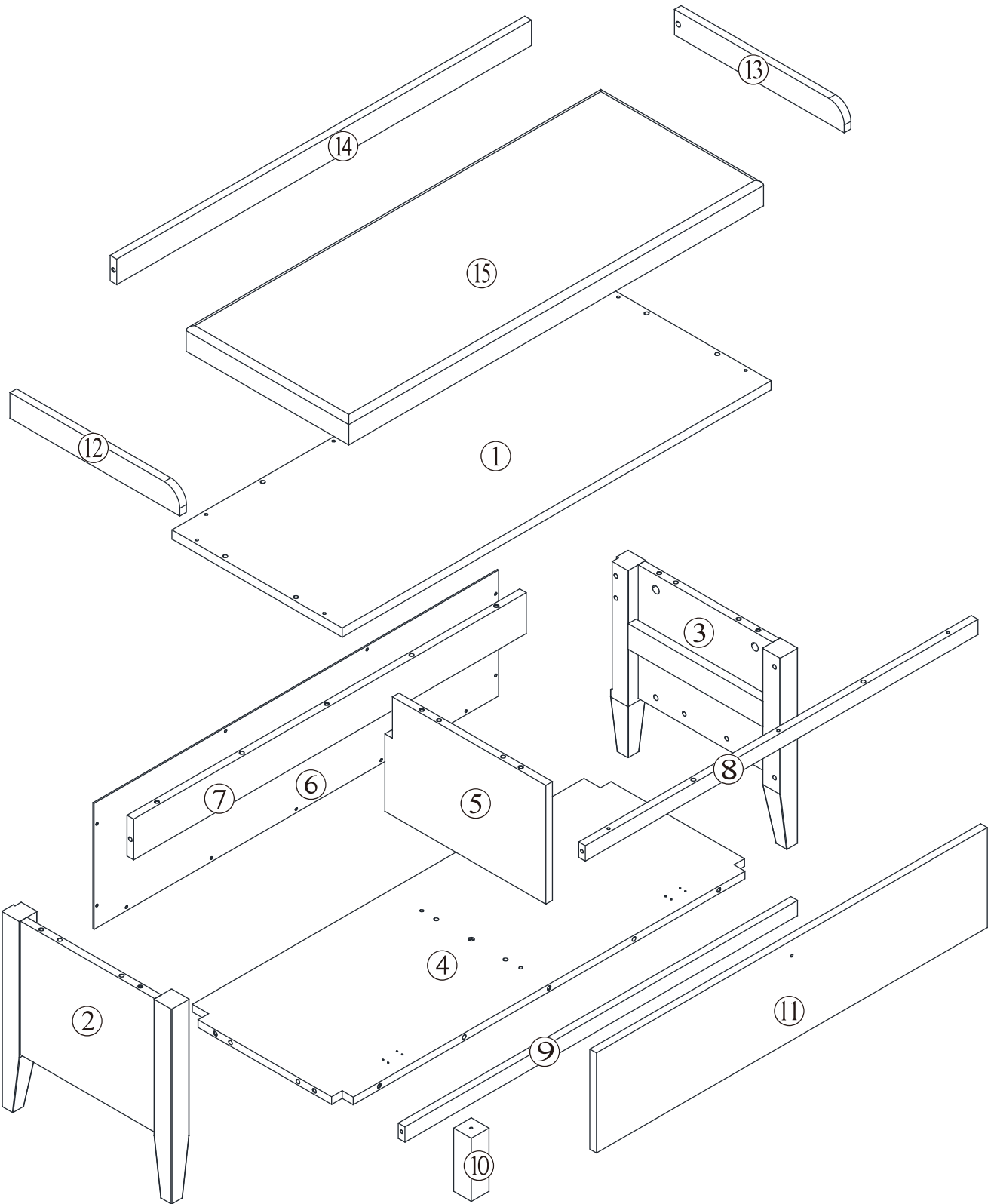
Please contact our customer service team on 0113 519 0311 if you have any questions or issues with your purchase.

### RECYCLING

Please ensure that packaging is disposed of in a safe and environmentally friendly way, and recycle where possible. Please keep your assembly instructions safe to refer back to in the future.

### CARE AND MAINTENANCE:

1. Only clean using a damp cloth, do not use bleach or abrasive cleaners as they may damage the finish over time.
2. Do not use a very wet cloth or allow any liquid to contact with the veneer for a long period of time. Wipe any spillage immediately. Absorption can cause wood to warp or finishes to de-laminate.
3. Do not scrub or rub the surface when cleaning.
4. Do not drag the Storage with Seat when moving, lift it off the floor instead.
5. Use a placemat or a coaster when putting hot items (e.g. hot drinks and dishes) on the wood surface.
6. It is not recommended to place the item next to sources of heat such as radiators, fires or directly exposed to sunlight. This may cause the wood to crack, split or fade due to the heat and humidity.
7. Wood will mellow and change colour over time, we recommend that ornaments and items placed on the surface to be moved regularly to prevent uneven mellowing.
8. Regularly check all fixings to ensure none have come loose. Re-tighten if necessary.
9. Avoid sharp items such as a screwdriver or any pointy tools.
10. Dispose of all packaging carefully and responsibly - recycle where possible.



# Parts list

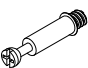

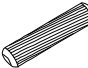




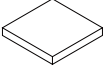


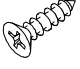
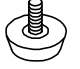



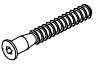
Before you begin building your Storage with Seat, please take a moment to read through the instructions and make sure that you have all the relevant parts listed on the parts check list.

Part Number	Part Description	Quantity	Box No
①	Top Panel	1pc	Box 1
②	Left Side Panel	1pc	Box 1
③	Right Side Panel	1pc	Box 1
④	Bottom Panel	1pc	Box 1
⑤	Middle Panel	1pc	Box 1
⑥	Back Panel	1pc	Box 1
⑦	Centre Support	1pc	Box 1
⑧	Centre Support	1pc	Box 1

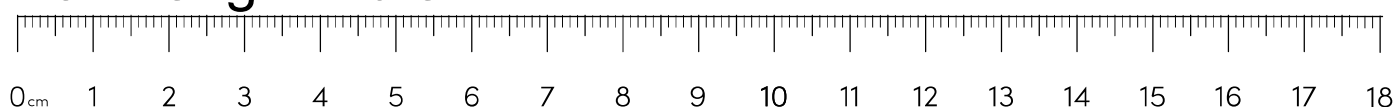
Part Number	Part Description	Quantity	Box No
⑨	Centre Support	1pc	Box 1
⑩	Centre Leg	1pc	Box 1
⑪	Door Front	1pc	Box 1
⑫	Seat Side Bar Left	1pc	Box 1
⑬	Seat Side Bar Right	1pc	Box 1
⑭	Seat Side Bar Back	1pc	Box 1
⑮	Cushion	1pc	Box 1

## Fittings

Please check you have all the fittings listed below with your product box 1.

<b>A</b>  M6*35mm Bolt 24pcs+3pcs extra	<b>B</b>  Ø15x9.5mm Cam Lock 24pcs+3pcs extra	<b>C</b>  Ø8x30mm Dowel 18pcs+2pcs extra	<b>D</b>  Ø4x35mm Screw 13pcs+2pcs extra	<b>E</b>  Cover 8pcs+1pc extra	<b>F</b>  Handle 1pc	<b>G</b>  M4*18mm Bolt 1pc	<b>H</b>  Felt pad 4pcs
<b>I</b>  Ø3x12mm Screw 14pcs+1pc extra	<b>J</b>  Hinge 2pcs	<b>K</b>  Ø4x14mm Screw 16pcs+2pcs extra	<b>L</b>  Adjustable foot pads 1pc	<b>M</b>  Ø6x30mm Dowel 6pcs	<b>N</b>  4mm Allen Key 1pc	<b>O</b>  Hinge 1pc	<b>P</b>  Ø7x40mm Screw 1pc

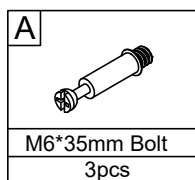
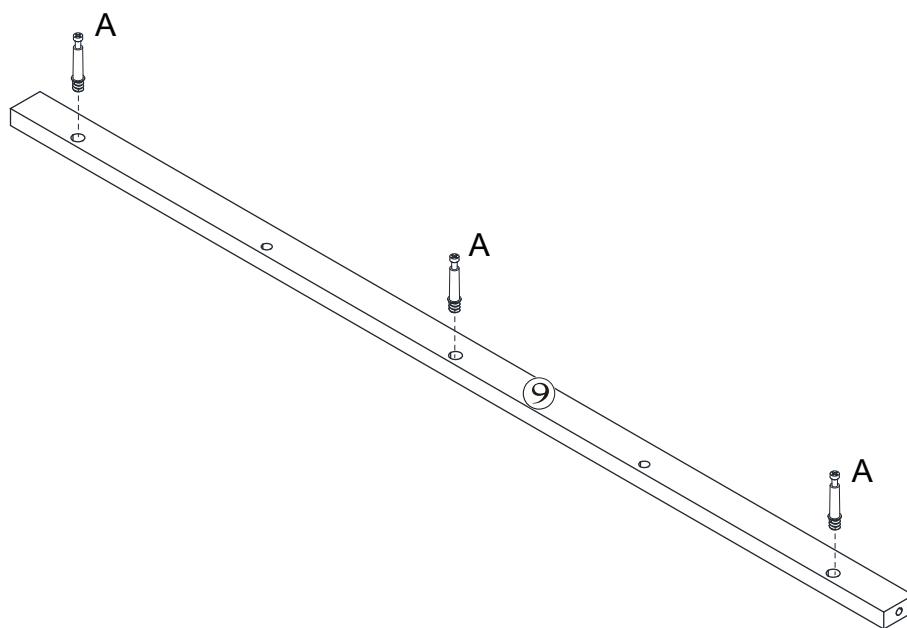
## Bolt Length Ruler:



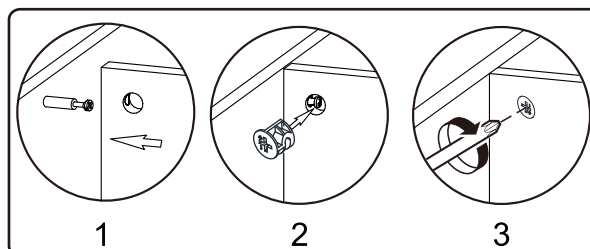
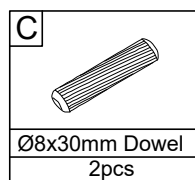
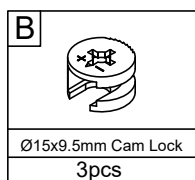
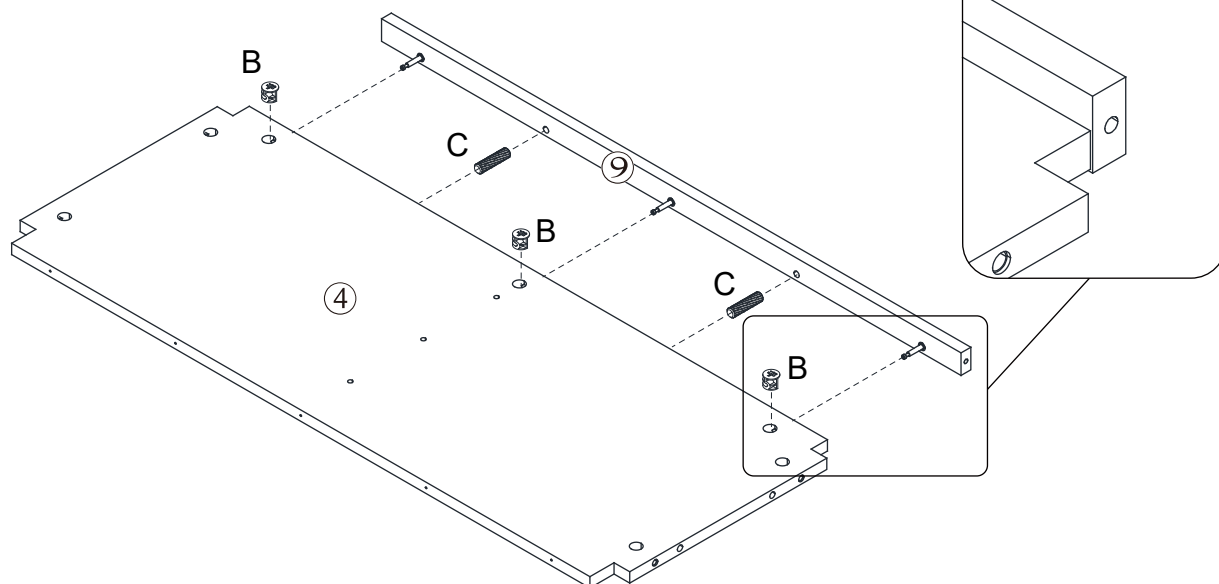
## Tool required



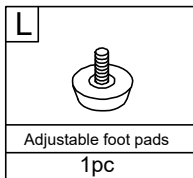
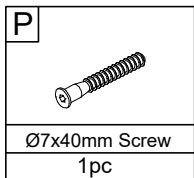
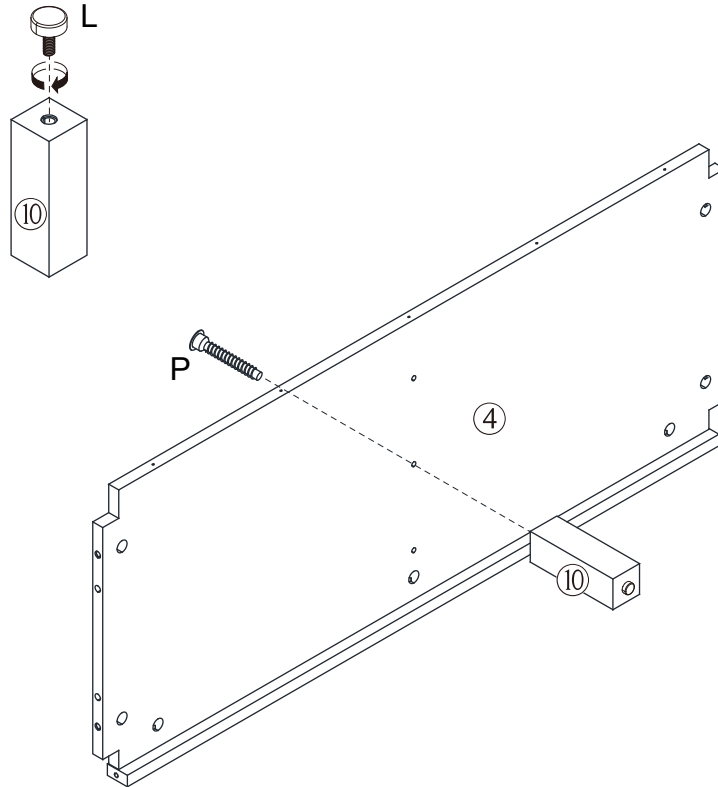
# 1. Attach parts to the centre support.



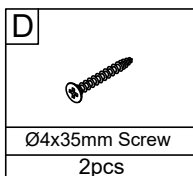
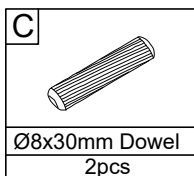
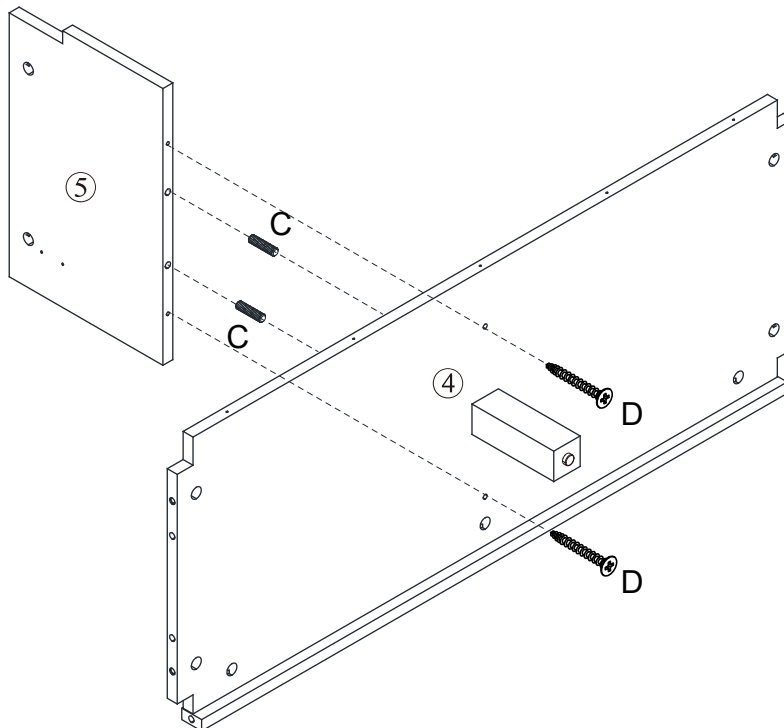
# 2. Attach the centre support to the bottom panel.



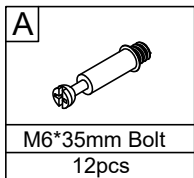
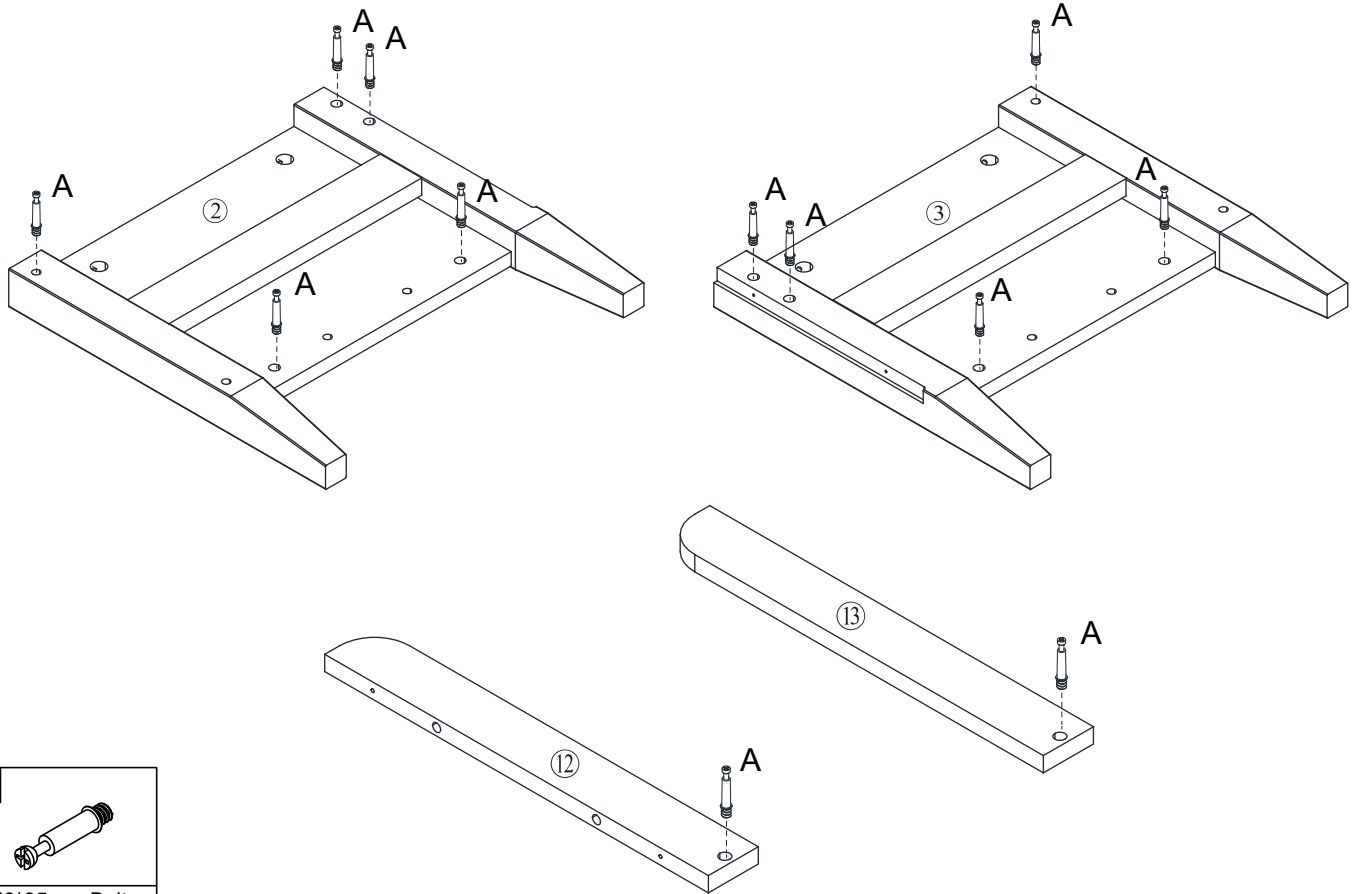
### 3. Attach the centre leg to the bottom panel.



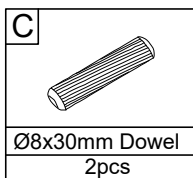
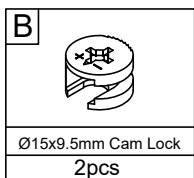
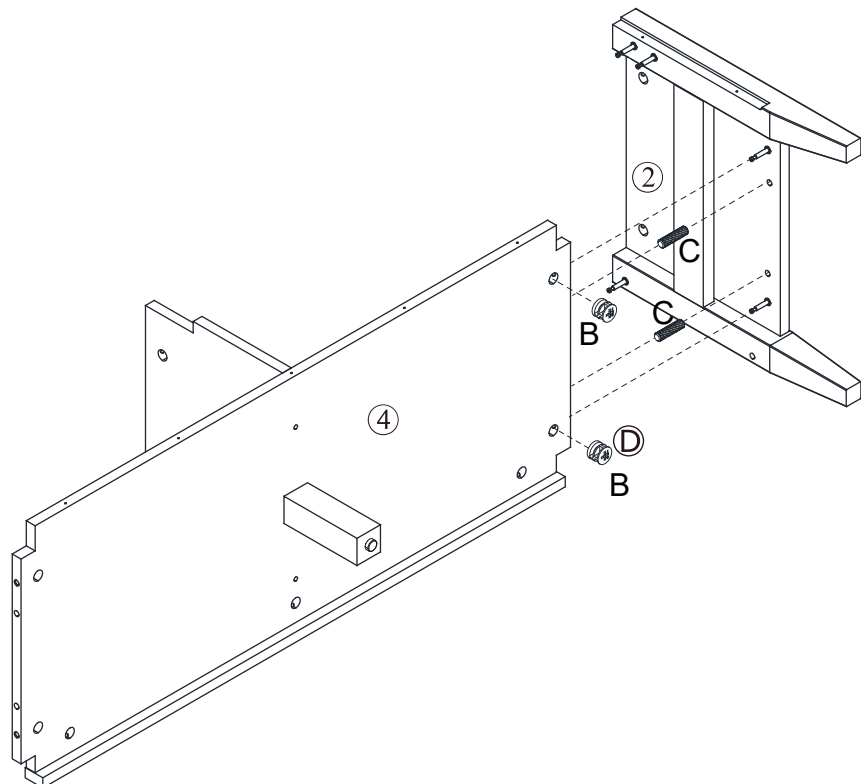
### 4. Attach the middle panel to the bottom panel.



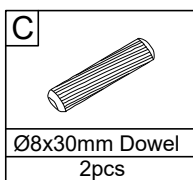
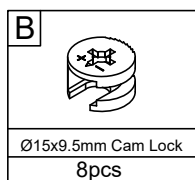
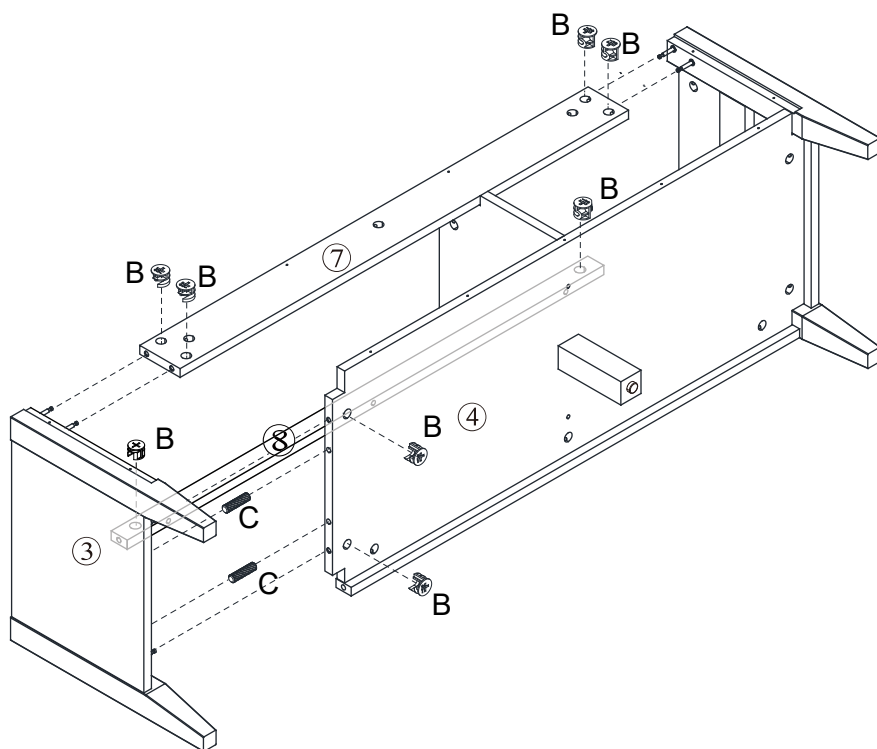
## 5. Attach parts to the side panels and seat side bars.



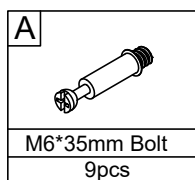
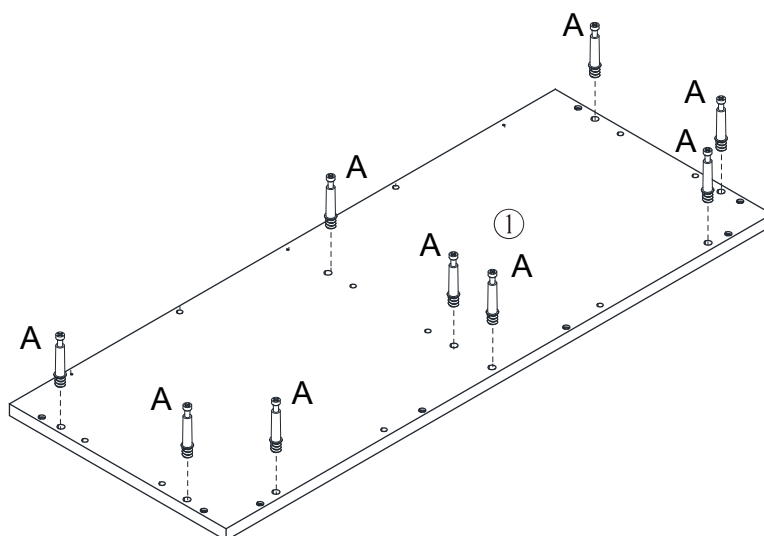
## 6. Attach the left side panel to the frame.



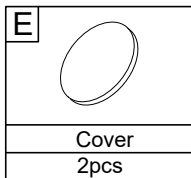
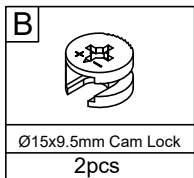
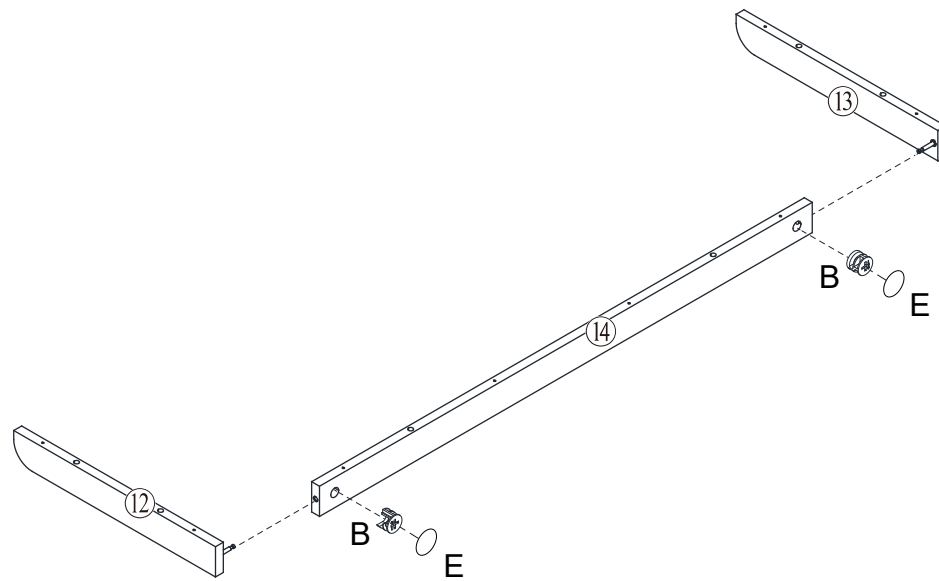
## 7. Attach the right side panel and the centre support to the frame.



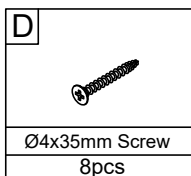
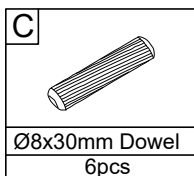
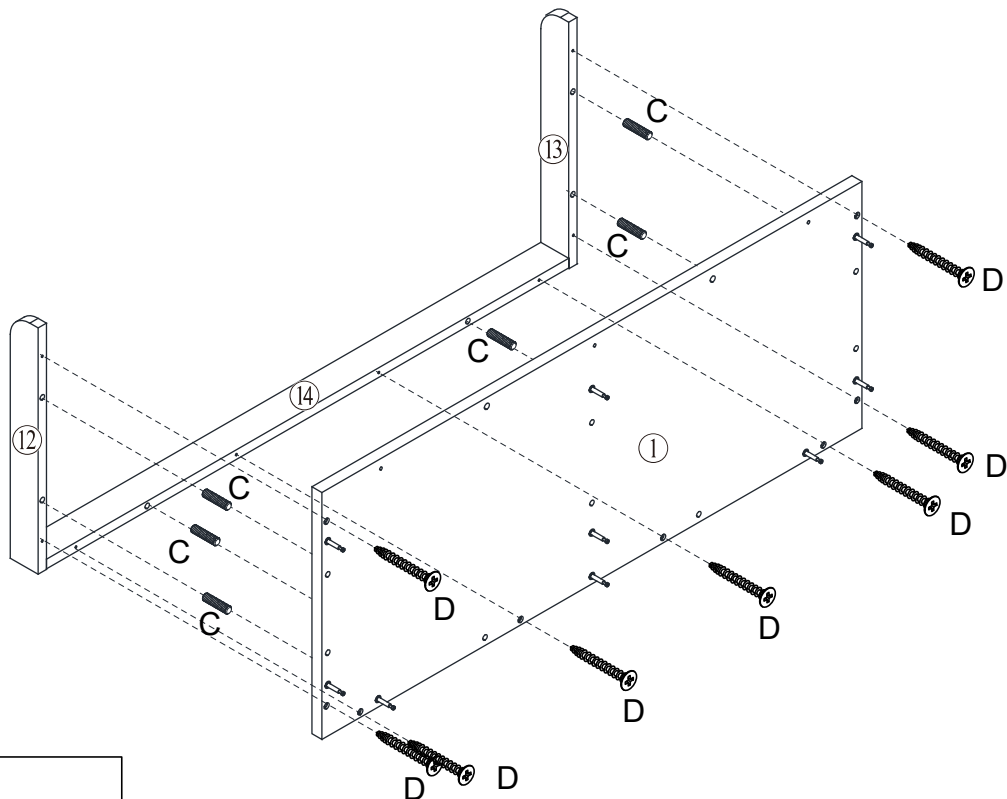
## 8. Attach the centre support to the top panel.



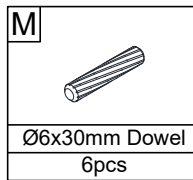
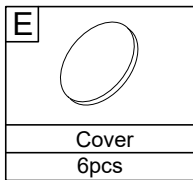
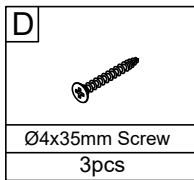
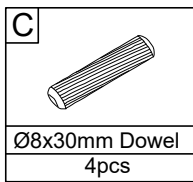
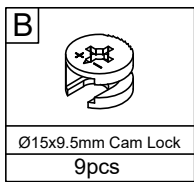
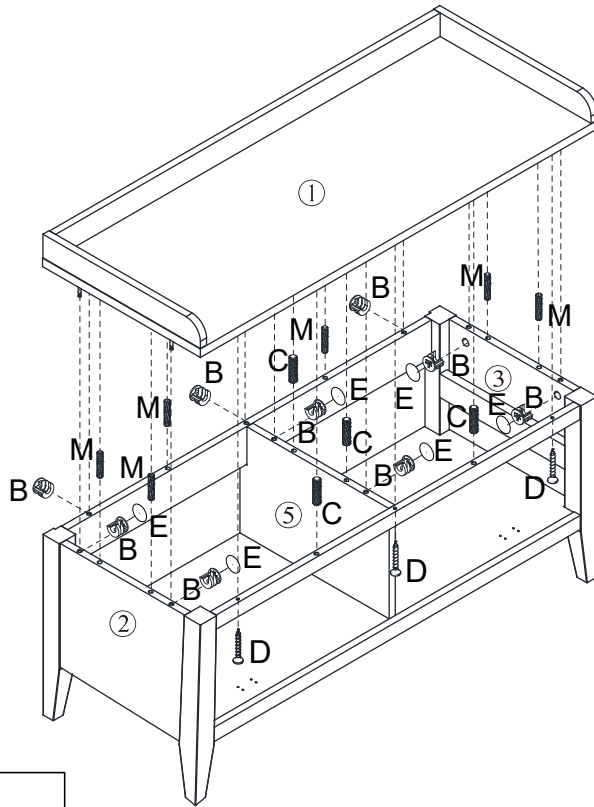
## 9. Connect the seat side bars.



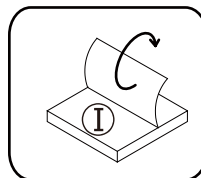
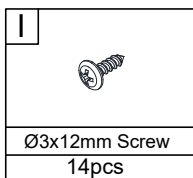
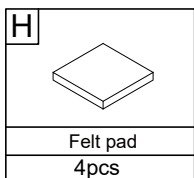
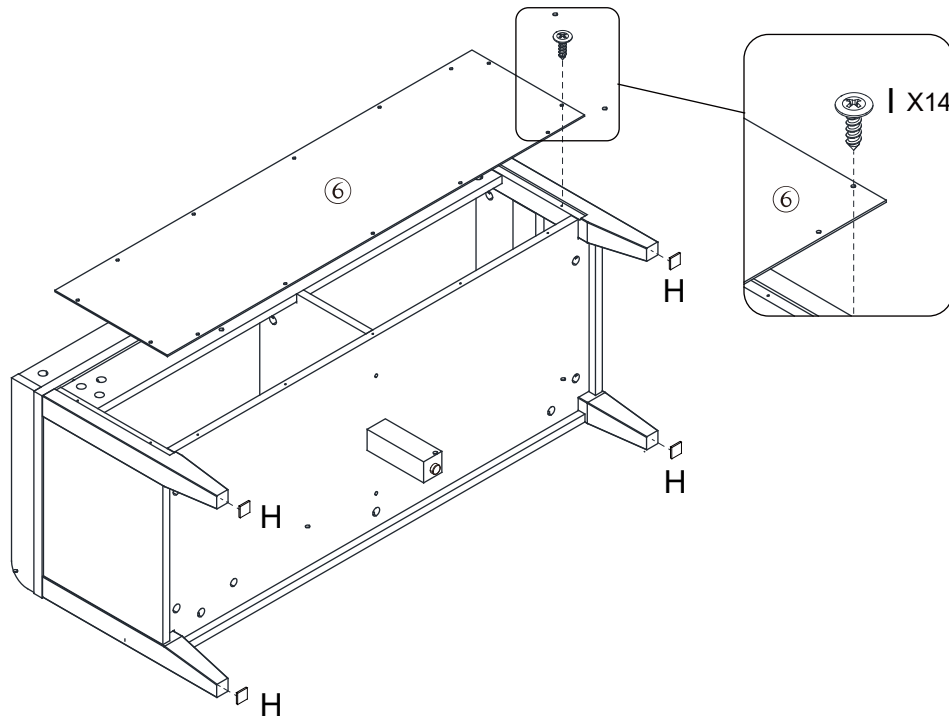
## 10. Attach the seat side bars to the top panel.



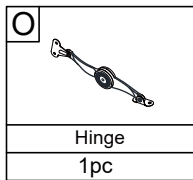
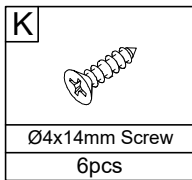
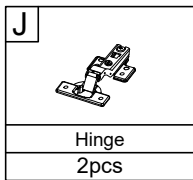
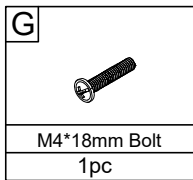
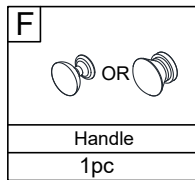
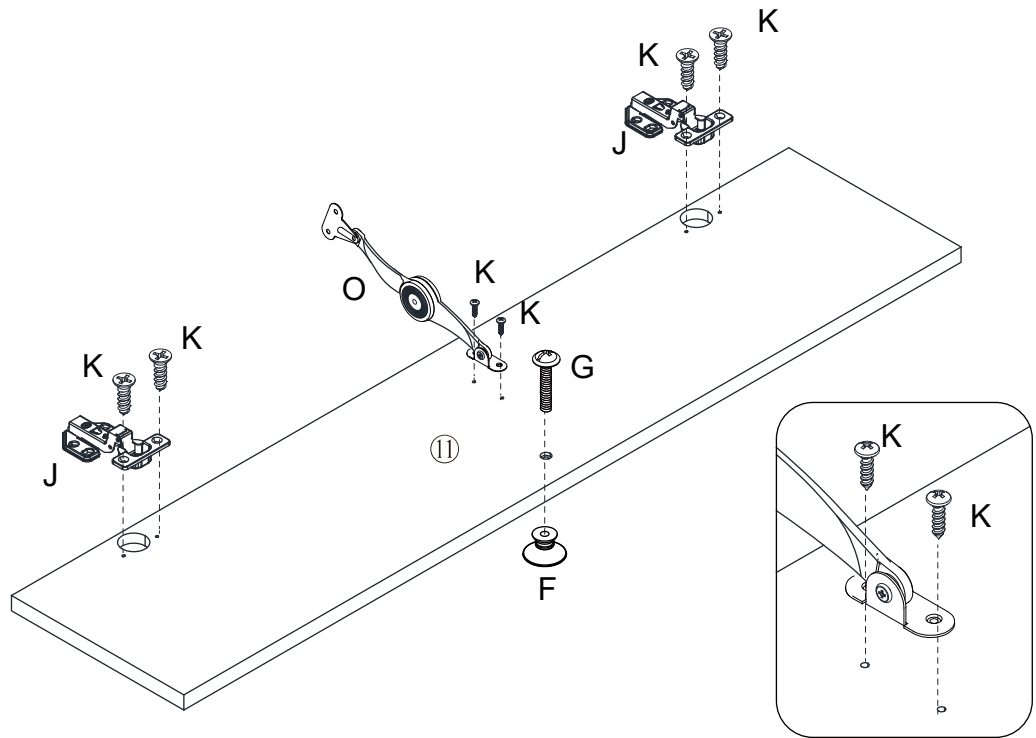
## 11. Attach the top panel to the frame.



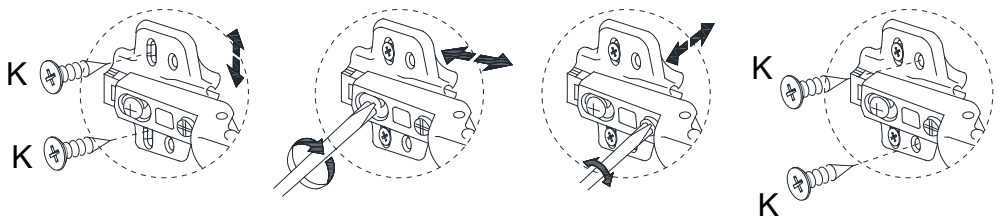
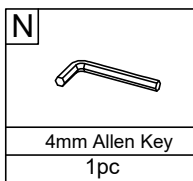
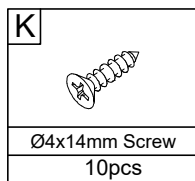
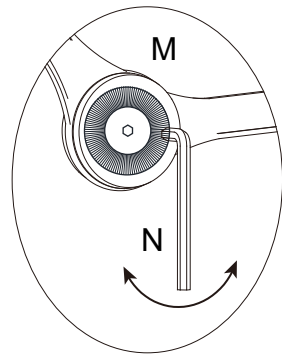
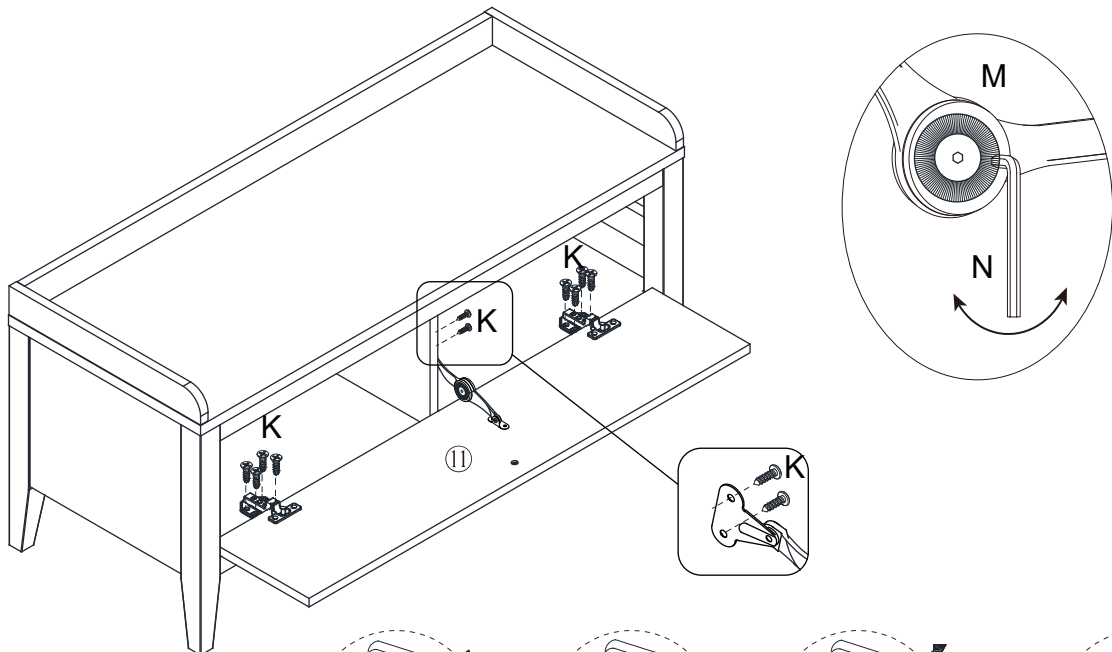
## 12. Attach the back panel to the frame.



### 13. Attach parts to the door.



### 14. Attach the door to the frame.



## 15. Assemble the clothes poles.

