

# DUSK.COM

LIVING | BEDROOM | DINING

Range Name : Poppy/Nell

Product Dimension :

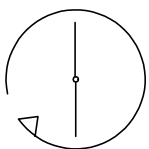
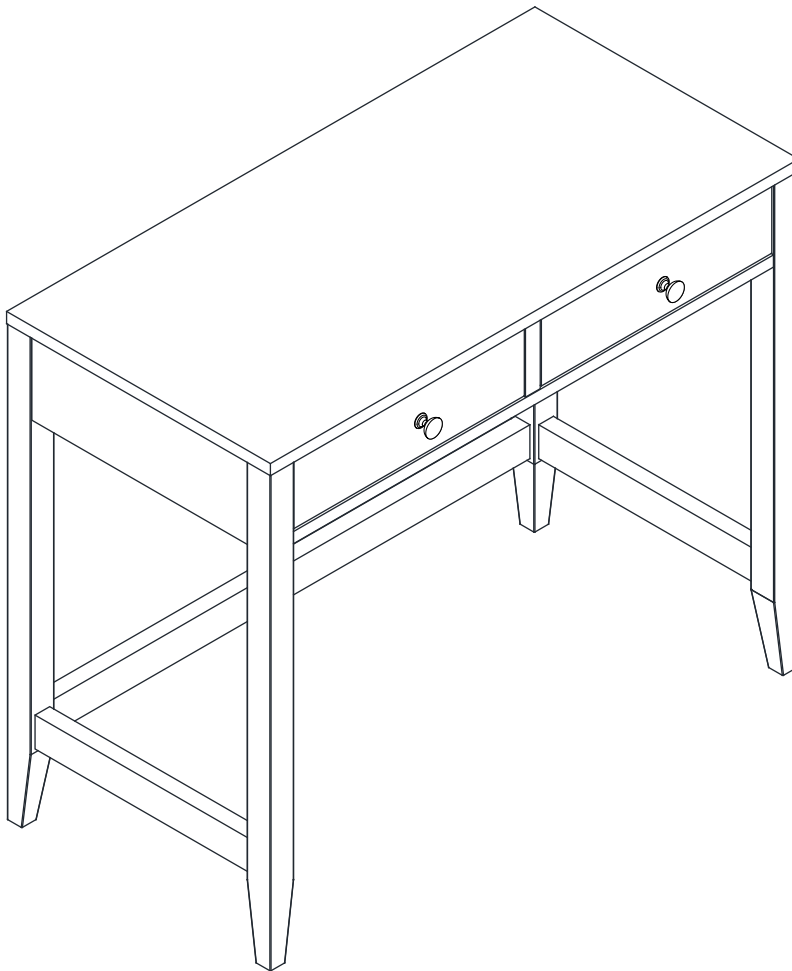
Nell:W93xD41.5xH76cm

Box 1 dimensions : W104xD49xH17.5cm

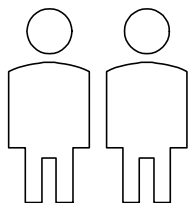
Poppy:W90xD40xH76cm

Box 1 dimensions : W102xD48xH17.5cm

## Console Table



Up to 60 minutes  
assembly time



Two person  
assembly



Electric screwdriver  
prohibited

This product is intended for domestic use only, not for commercial purposes.

P-1-10  
V-1.0

## IMPORTANT

### ASSEMBLY TIP

Before you begin, it's best to identify all of the parts and fittings to build your Console Table frame. We advise laying these out on the floor to check you have everything, and to familiarise yourself with all of the parts and fittings before building.

### TOP TIP

We recommend that you assemble the Console Table in the room you'd like it to be located. This will help prevent any risk of damage to the frame whilst moving it.

### SAFETY AND CARE

It's important to ensure children and animals are kept away from the assembly area, as there are small components used in this product which could present a choking hazard. All plastic and wrapping materials should also be kept away from children and animals to prevent any risk of suffocation.

### HELP AND SUPPORT

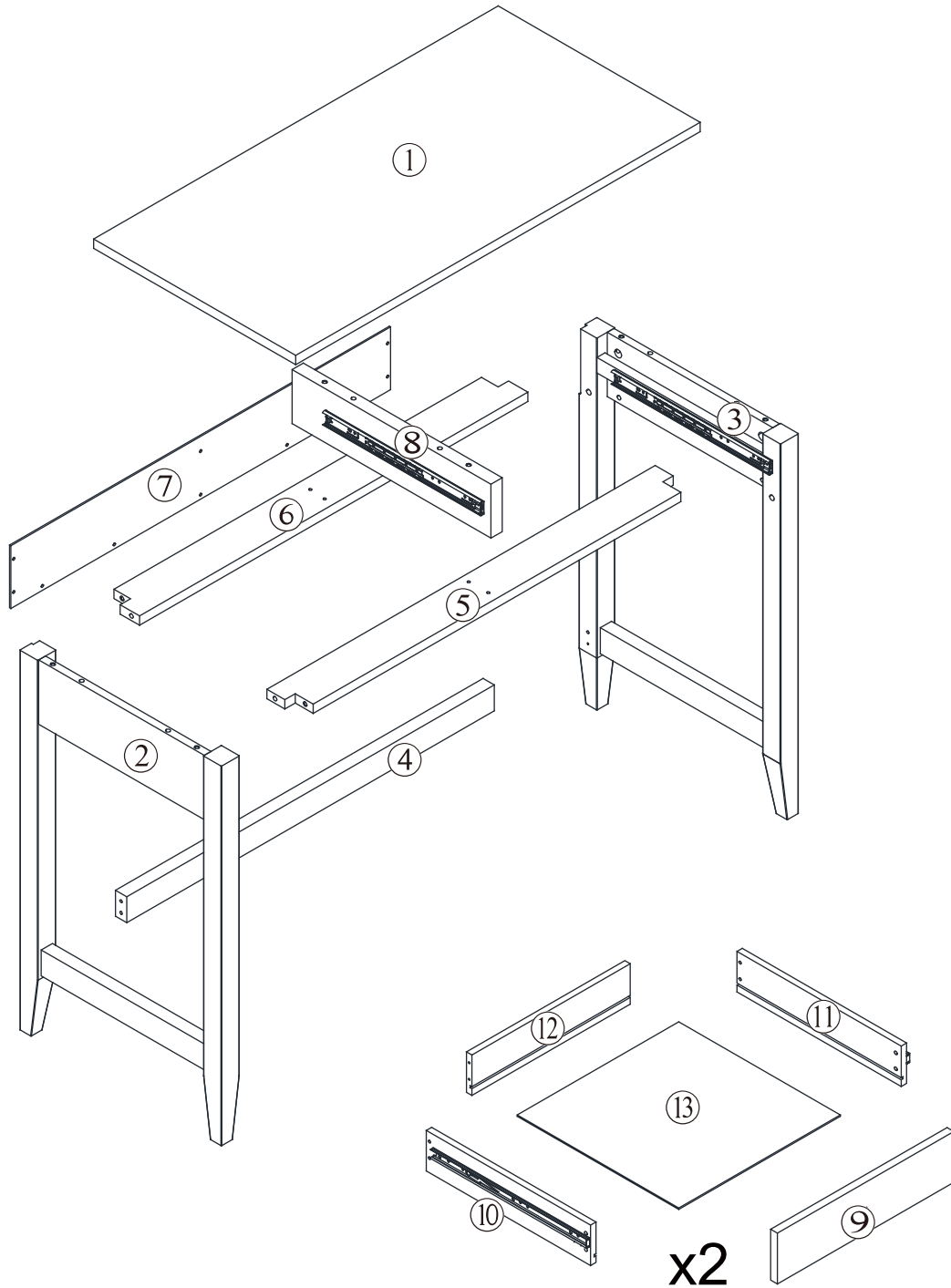
Please contact our customer service team on 0113 519 0311 if you have any questions or issues with your purchase.

### RECYCLING

Please ensure that packaging is disposed of in a safe and environmentally friendly way, and recycle where possible. Please keep your assembly instructions safe to refer back to in the future.

### CARE AND MAINTENANCE:

1. Only clean using a damp cloth, do not use bleach or abrasive cleaners as they may damage the finish over time.
2. Do not use a very wet cloth or allow any liquid to contact with the veneer for a long period of time. Wipe any spillage immediately. Absorption can cause wood to warp or finishes to de-laminate.
3. Do not scrub or rub the surface when cleaning.
4. Do not drag the Console Table when moving, lift it off the floor instead.
5. Use a placemat or a coaster when putting hot items (e.g. hot drinks and dishes) on the wood surface.
6. It is not recommended to place the item next to sources of heat such as radiators, fires or directly exposed to sunlight. This may cause the wood to crack, split or fade due to the heat and humidity.
7. Wood will mellow and change colour over time, we recommend that ornaments and items placed on the surface to be moved regularly to prevent uneven mellowing.
8. Regularly check all fixings to ensure none have come loose. Re-tighten if necessary.
9. Avoid sharp items such as a screwdriver or any pointy tools.
10. Dispose of all packaging carefully and responsibly - recycle where possible.



# Parts list

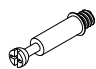

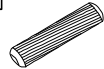




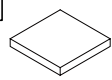








Before you begin building your Console/Dressing, please take a moment to read through the instructions and make sure that you have all the relevant parts listed on the parts check list.

Part Number	Part Description	Quantity	Box No
①	Top	1pc	Box 1
②	Left Side Panel With Slide	1pc	Box 1
③	Right Side Panel With Slide	1pc	Box 1
④	Centre Support	1pc	Box 1
⑤	Centre Support	1pc	Box 1
⑥	Centre Support	1pc	Box 1
⑦	Back Panel	1pc	Box 1


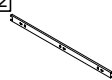
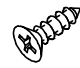
Part Number	Part Description	Quantity	Box No
⑧	Middle Panel With Slide	1pc	Box 1
⑨	Drawer Front	2pcs	Box 1
⑩	Drawer Left Side With Slide	2pcs	Box 1
⑪	Drawer Right Side With Slide	2pcs	Box 1
⑫	Drawer Back Side	2pcs	Box 1
⑬	Drawer Floor	2pcs	Box 1

## Fittings

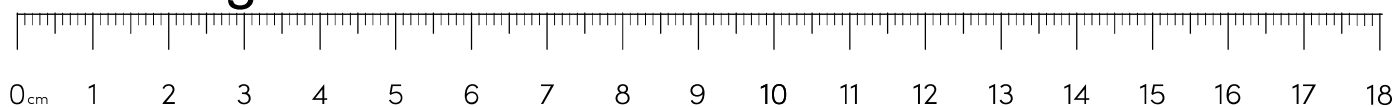
Please check you have all the fittings listed below with your product box 1.

<b>A</b>  M6*35mm Bolt 26pcs+2pcs extra	<b>B</b>  Ø15x9.5mm Cam Lock 26pcs+2pcs extra	<b>C</b>  Ø8x30mm Dowel 6pcs+1pc extra	<b>D</b>  Ø4x35mm Screw 10pcs+1pc extra	<b>E</b>  Cover 8pcs+1pc extra	<b>F</b>  Handle 2pcs	<b>G</b>  M4*18mm Bolt 2pcs	<b>H</b>  Felt pad 4pcs
<b>I</b>  Ø3x12mm Screw 15pcs+1pc extra	<b>J</b>  Ø7x40mm Screw 4pcs	<b>K</b>  Ø4x14mm Screw 2pcs	<b>L</b>  Anti-rewinding 2pcs	<b>M</b>  Wall Plug 2pcs	<b>N</b>  Lock Washer 4pcs	<b>O</b>  4mm Wrench 1pc	<b>T</b>  Slide pre assembled 4pcs

Pre-assembled Fittings.

<b>T1</b>  Slide 4pcs	<b>T2</b>  Slide 4pcs	<b>U</b>  Ø3x12mm Screw 24pcs
---	---	---

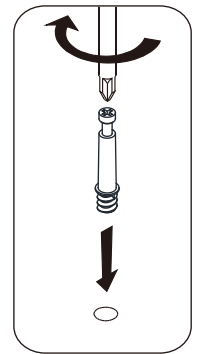
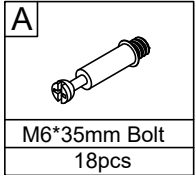
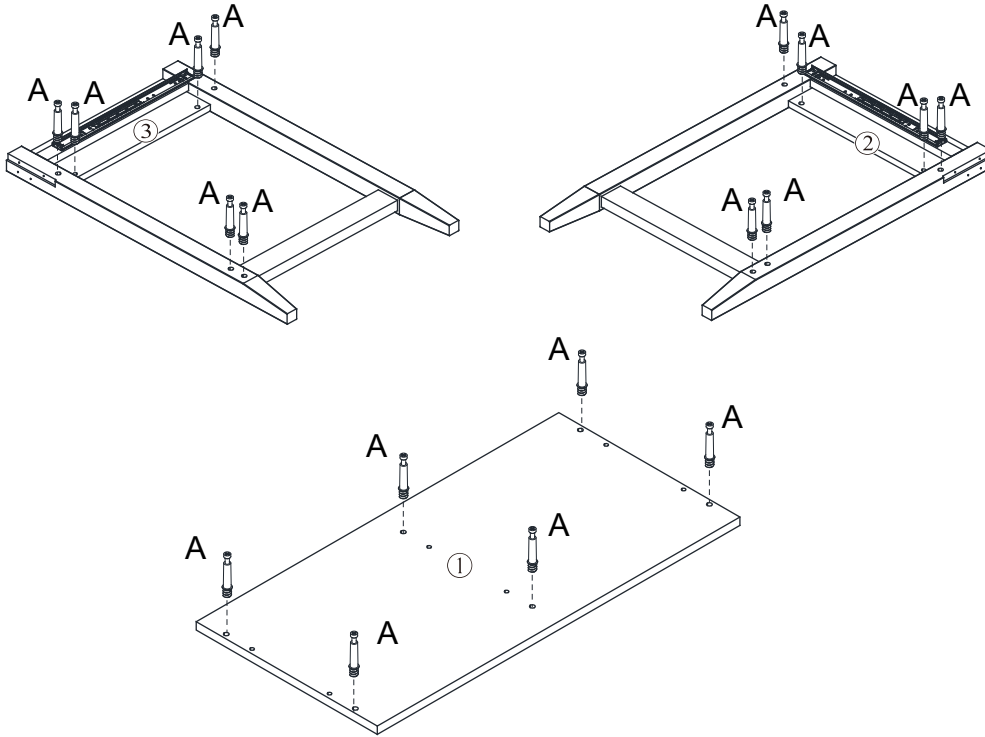
## Bolt Length Ruler:



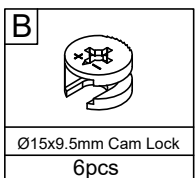
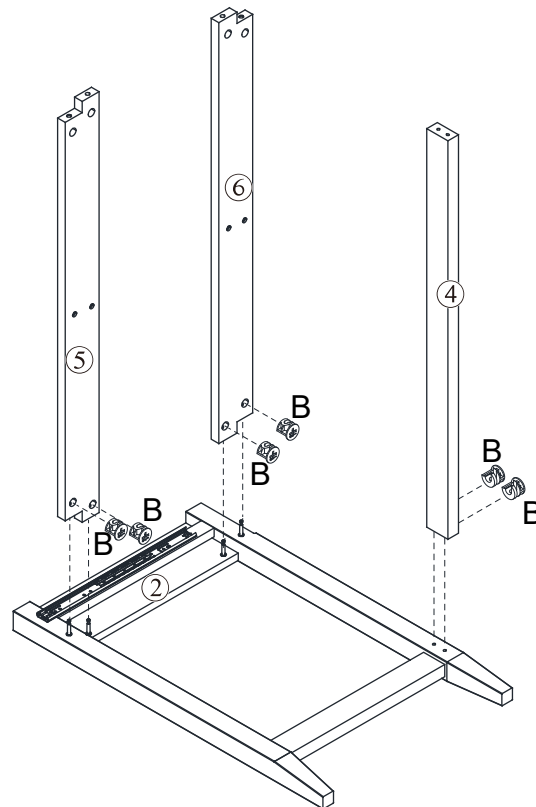
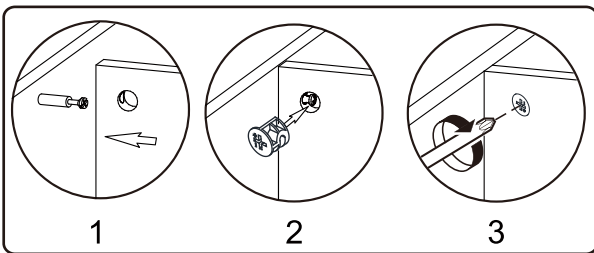
## Tool required

  Crosshead Screwdriver (not provided)

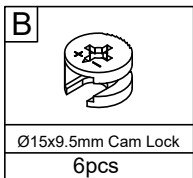
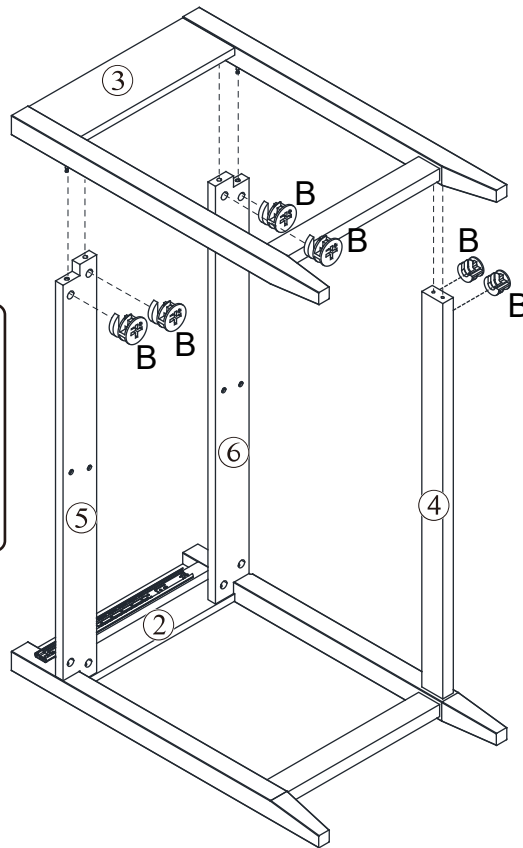
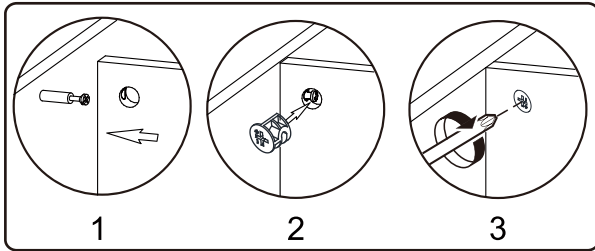
# 1. Attach parts to the side panels and the top panel.



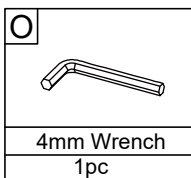
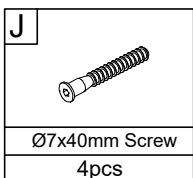
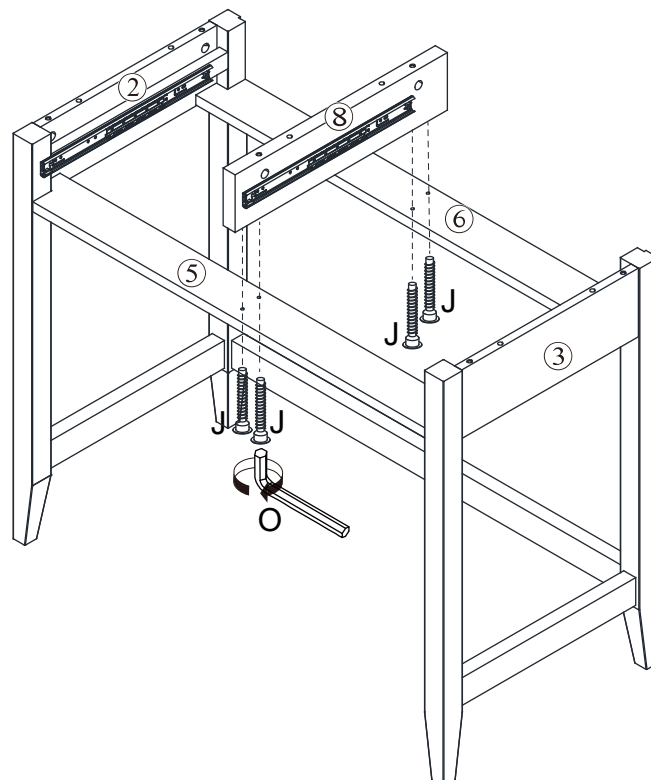
# 2. Attach the centre supports to the left side panel.



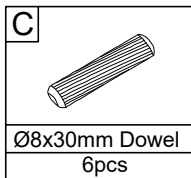
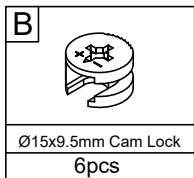
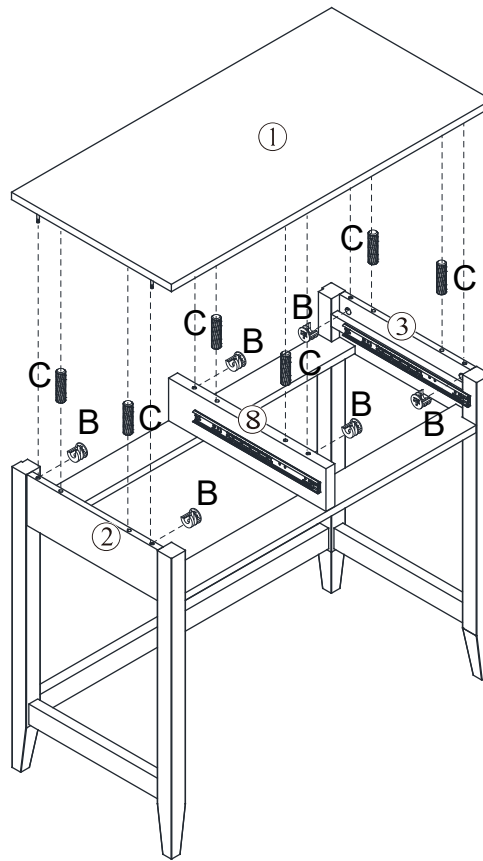
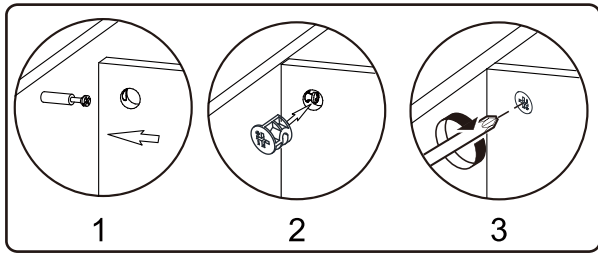
### 3. Attach the right side panel to the frame.



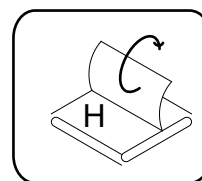
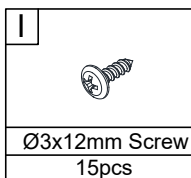
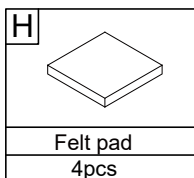
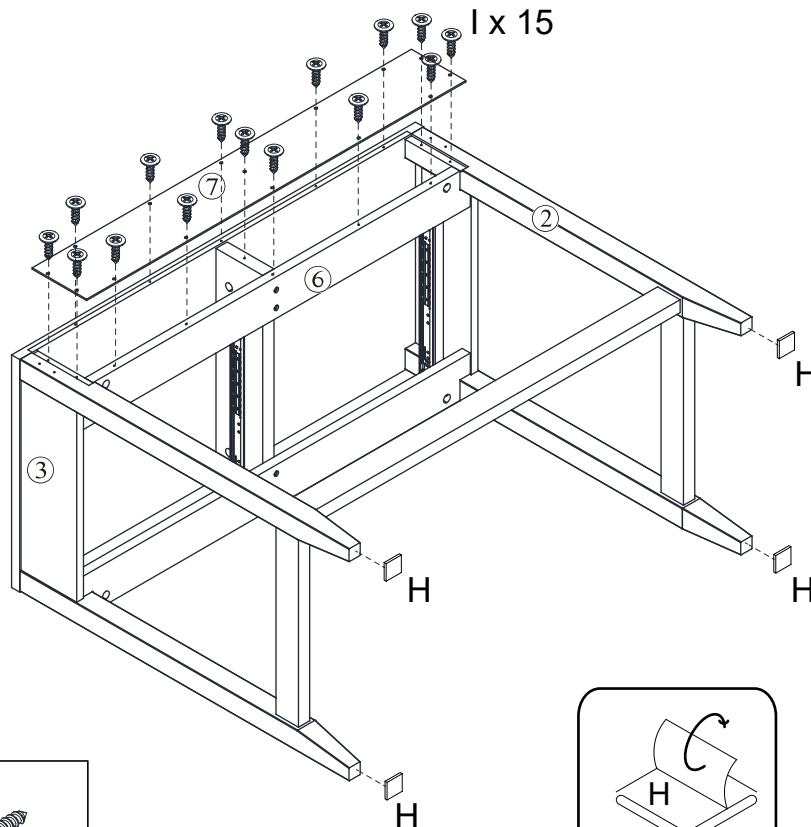
### 4. Attach the middle panel to the frame.



## 5. Attach the top panel to the frame.

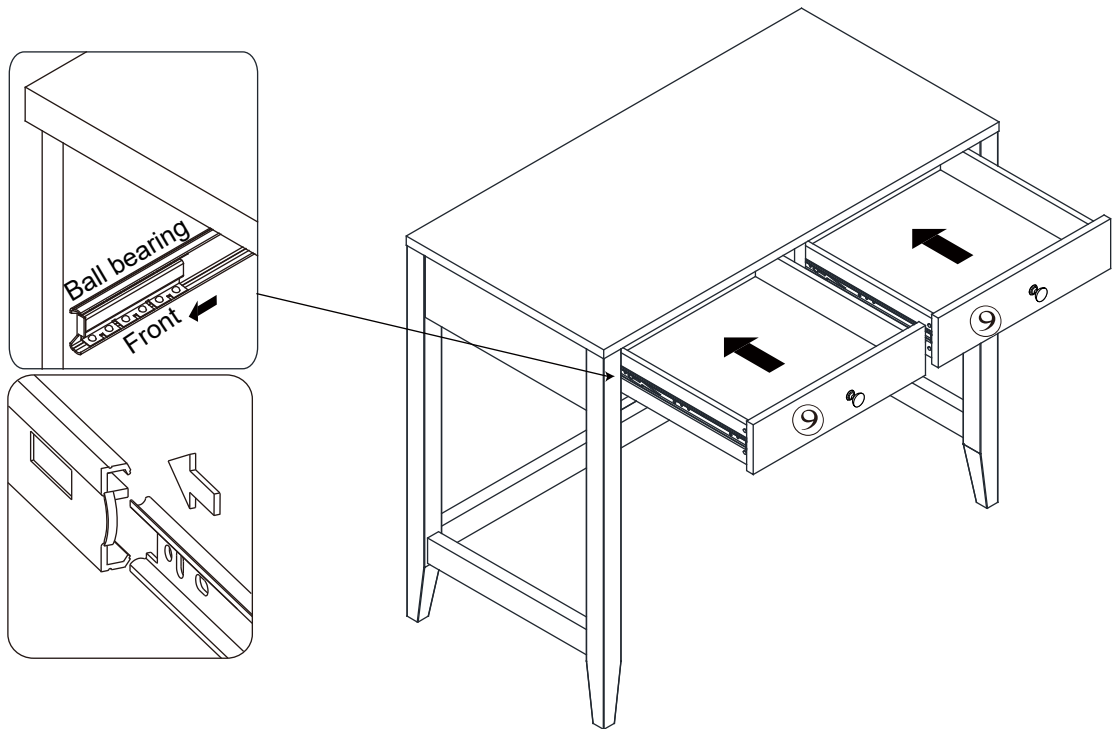


## 6. Attach the back panel and felt pads to the frame.

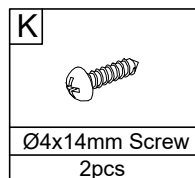
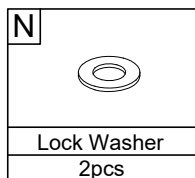
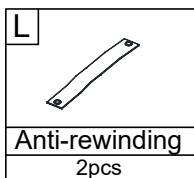
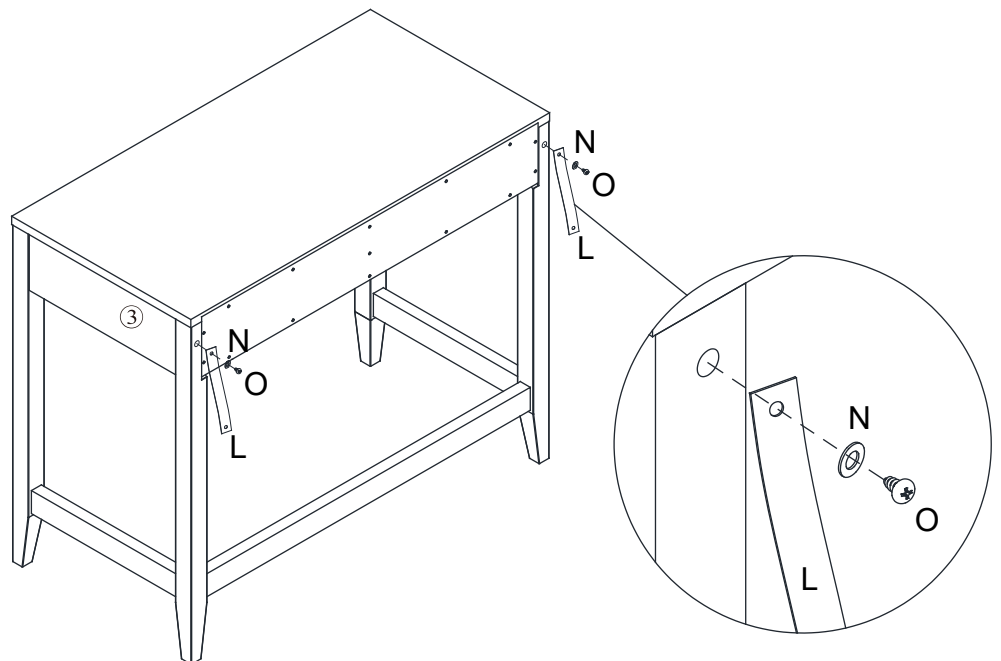




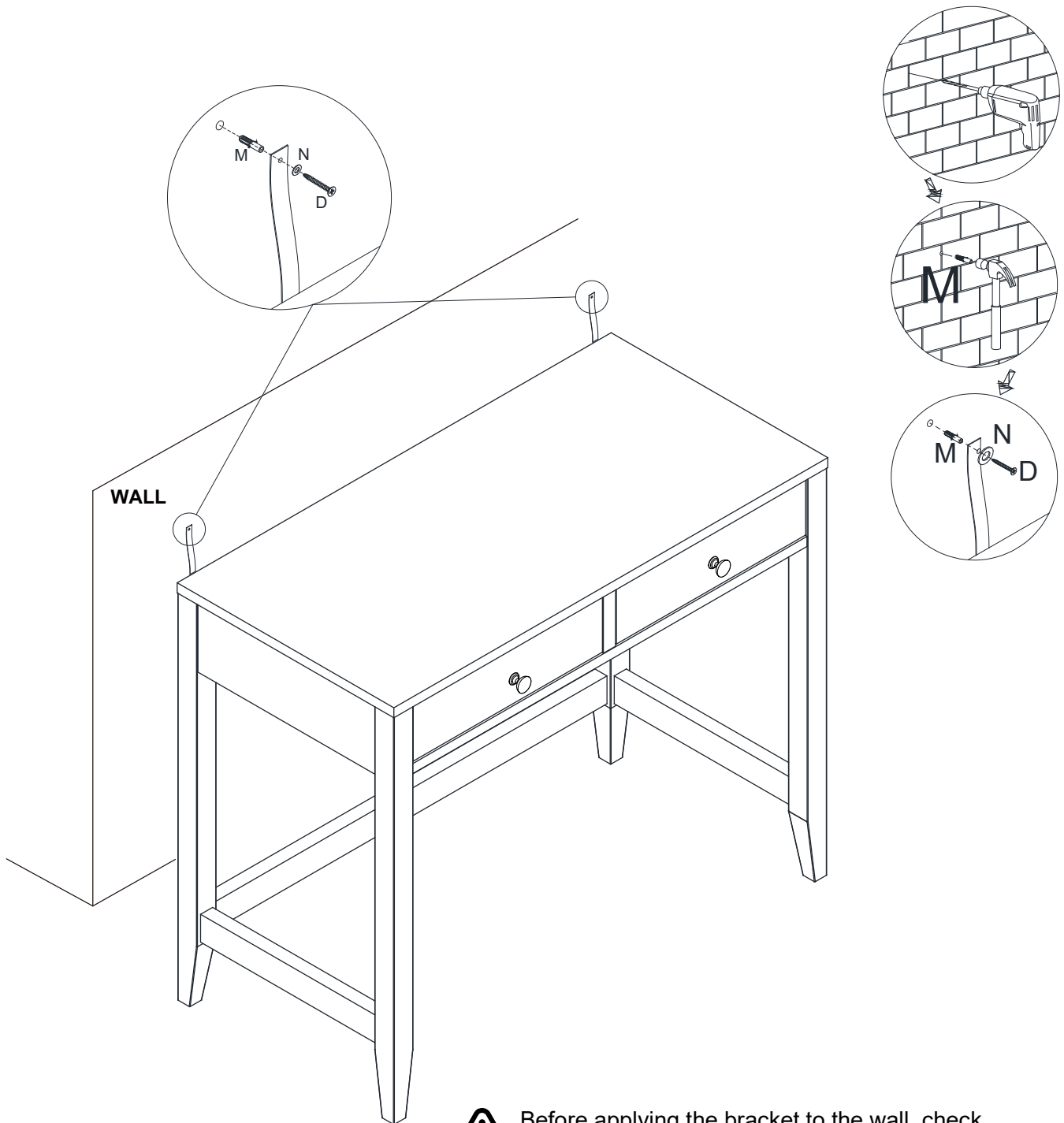
## 9. Assemble the drawers to the table.



## 10. Attach the anti-rewinding.

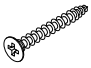




## 11. Fix the anti-rewinding to the wall.



Before applying the bracket to the wall, check pipes and cables that may be hidden behind.

**WARNING:** Manufacturer assumes no liability for improper installation or excessive loads placed on screws or bracket. This wall anchor is not a substitute for proper adult supervision. In order to prevent overturning this product must be used with the wall attachment device provided.

<b>D</b> 	<b>M</b> 	<b>N</b> 
Ø4x35mm Screw 2pcs	Wall Plug 2pcs	Lock Washer 2pcs