

# DUSK.COM

LIVING | BEDROOM | DINING

Range Name : Poppy/Nell

Product Dimension :

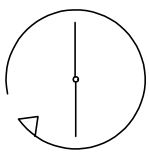
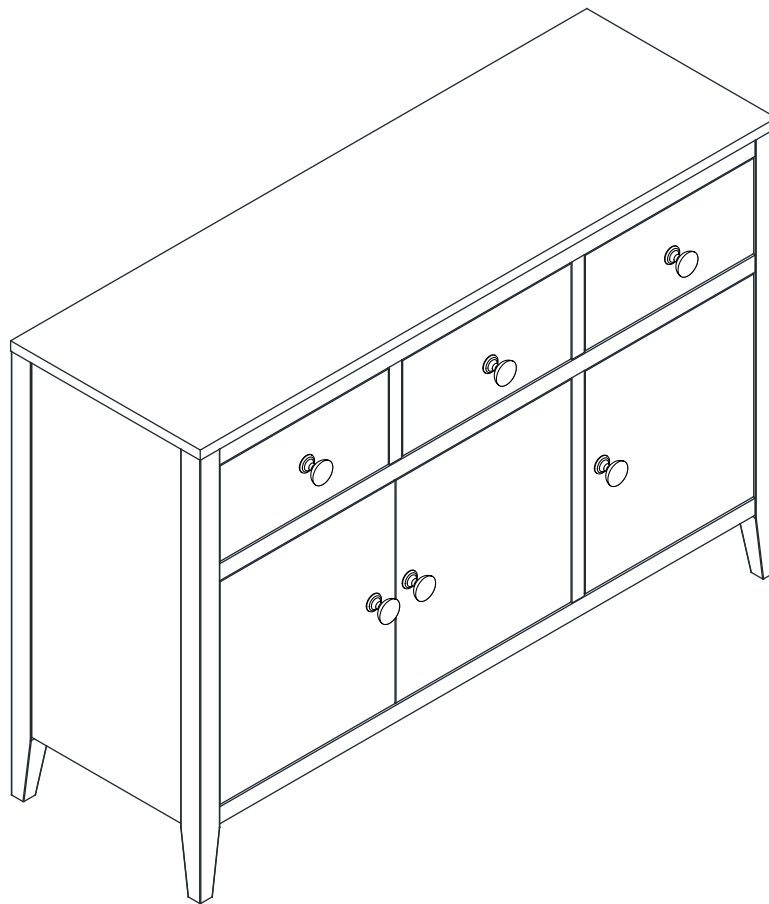
Nell:W120xD40xH80cm

Box 1 dimensions : W135xD50xH26cm

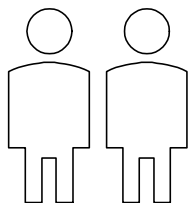
Poppy:W117xD38.5xH80cm

Box 1 dimensions :W132xD48.5xH26cm

## 3 Drawer / 3 Door Sideboard



Up to 90 minutes  
assembly time



Two person  
assembly



Electric screwdriver  
prohibited

This product is intended for domestic use only, not for commercial purposes.

P-1-15  
V-1.0

## IMPORTANT

### ASSEMBLY TIP

Before you begin, it's best to identify all of the parts and fittings to build your 3 Drawer / 3 Door Sideboard frame. We advise laying these out on the floor to check you have everything, and to familiarise yourself with all of the parts and fittings before building.

### TOP TIP

We recommend that you assemble the 3 Drawer / 3 Door Sideboard in the room you'd like it to be located. This will help prevent any risk of damage to the frame whilst moving it.

### SAFETY AND CARE

It's important to ensure children and animals are kept away from the assembly area, as there are small components used in this product which could present a choking hazard. All plastic and wrapping materials should also be kept away from children and animals to prevent any risk of suffocation.

### HELP AND SUPPORT

Please contact our customer service team on 0113 519 0311 if you have any questions or issues with your purchase.

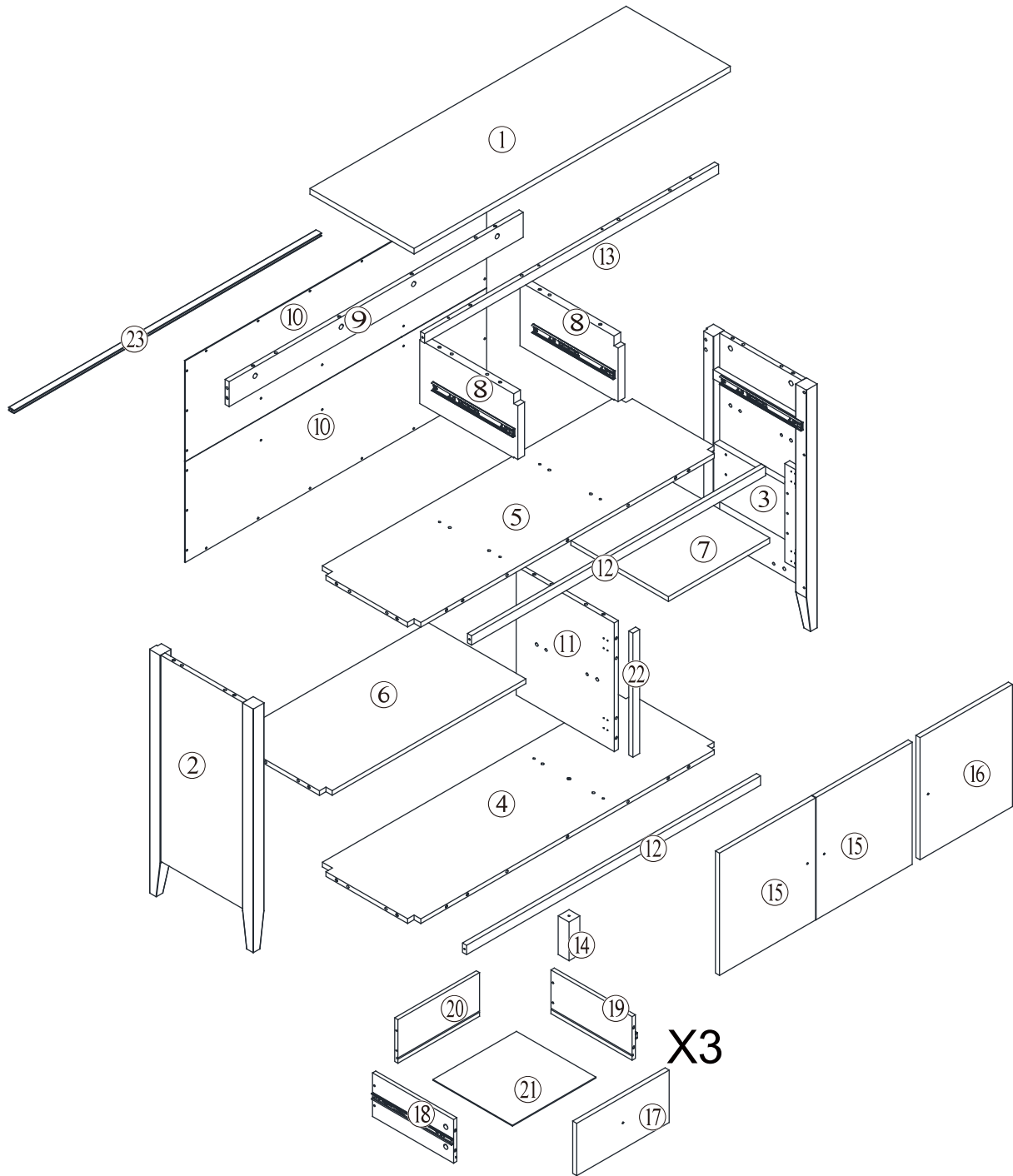
### RECYCLING

Please ensure that packaging is disposed of in a safe and environmentally friendly way, and recycle where possible. Please keep your assembly instructions safe to refer back to in the future.

### CARE AND MAINTENANCE:

1. Only clean using a damp cloth, do not use bleach or abrasive cleaners as they may damage the finish over time.
2. Do not use a very wet cloth or allow any liquid to contact with the veneer for a long period of time. Wipe any spillage immediately. Absorption can cause wood to warp or finishes to de-laminate.
3. Do not scrub or rub the surface when cleaning.
4. Do not drag the 3 Drawer / 3 Door Sideboard when moving, lift it off the floor instead.
5. Use a placemat or a coaster when putting hot items (e.g. hot drinks and dishes) on the wood surface.
6. It is not recommended to place the item next to sources of heat such as radiators, fires or directly exposed to sunlight. This may cause the wood to crack, split or fade due to the heat and humidity.
7. Wood will mellow and change colour over time, we recommend that ornaments and items placed on the surface to be moved regularly to prevent uneven mellowing.
8. Regularly check all fixings to ensure none have come loose. Re-tighten if necessary.
9. Avoid sharp items such as a screwdriver or any pointy tools.
10. Dispose of all packaging carefully and responsibly - recycle where possible.

# Parts list



# Parts list

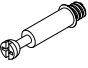

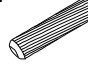




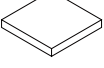









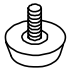
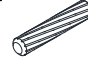



Before you begin building your 3 Drawer / 3 Door Sideboard ,please take a moment to read through the instructions and make sure that you have all the relevant parts listed on the parts check list.

Part Number	Part Description	Quantity	Box No
①	Top	1pc	Box 1
②	Left Side Panel With Slide	1pc	Box 1
③	Right Side Panel With Slide	1pc	Box 1
④	Bottom Panel	1pc	Box 1
⑤	Shelf Panel	1pc	Box 1
⑥	Shelf Panel	1pc	Box 1
⑦	Shelf Panel	1pc	Box 1
⑧	Middle Panel With Slide	2pcs	Box 1
⑨	Centre Support	1pc	Box 1
⑩	Back Panel	2pcs	Box 1
⑪	Middle Panel	1pc	Box 1




Part Number	Part Description	Quantity	Box No
⑫	Centre Support	2pcs	Box 1
⑬	Centre Support	1pc	Box 1
⑭	Centre Leg	1pc	Box 1
⑮	Door Panel	2pcs	Box 1
⑯	Door Panel	1pc	Box 1
⑰	Drawer Front	3pcs	Box 1
⑱	Drawer Left Side With Slide	3pcs	Box 1
⑲	Drawer Right Side With Slide	3pcs	Box 1
⑳	Drawer Back Side	3pc	Box 1
㉑	Drawer Bottom	3pcs	Box 1
㉒	Centre Support	1pc	Box 1
㉓	Plastic Slot	1pc	Box 1

## Fittings

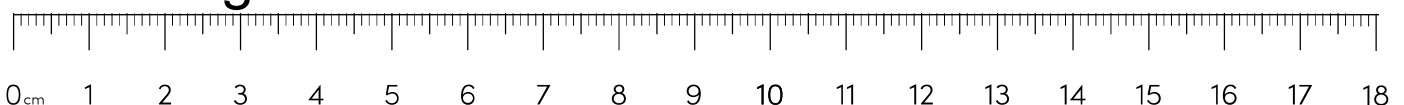
Please check you have all the fittings listed below with your product in box 1.

<b>A</b>  M6*35mm Bolt 52pcs+3pcs extra	<b>B</b>  Ø15x9.5mm Cam Lock 52pcs+3pcs extra	<b>C</b>  Ø8x30mm Dowel 42pcs+3pcs extra	<b>D</b>  Ø4x35mm Screw 24pcs+2pcs extra	<b>E</b>  Cover 16pcs+2pcs extra	<b>F</b>  Handle 6pcs	<b>G</b>  M4*18mm Bolt 6pcs	<b>H</b>  Felt pad 4pcs
<b>I</b>  Ø3x12mm Screw 30pcs+3pcs extra	<b>J</b>  Hinge 6pcs	<b>K</b>  Ø4x14mm Screw 37pcs+3pcs extra	<b>L</b>  Anti-rewinding 2pcs	<b>M</b>  Wall Plug 2pcs	<b>N</b>  Lock Washer 4pcs	<b>O</b>  Ø4x14mm Screw 2pcs	<b>P</b>  Ø7x40mm Screw 1pc
<b>Q</b>  metal bracket 4pcs	<b>R</b>  Adjustable foot pads 1pc	<b>S</b>  Ø6x30mm Dowel 6pcs	<b>T</b>  Slide pre assembled 6pcs	<b>U</b>  L-shaped Pusher 1pc	<b>V</b>  4mm Wrench 1pc		

Pre-assembled Fittings.

<b>T1</b>  Slide 6pcs	<b>T2</b>  Slide 6pcs	<b>U</b>  Ø3x12mm Screw 36pcs
---	---	---

## Bolt Length Ruler:

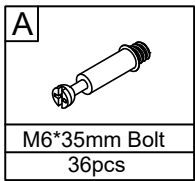
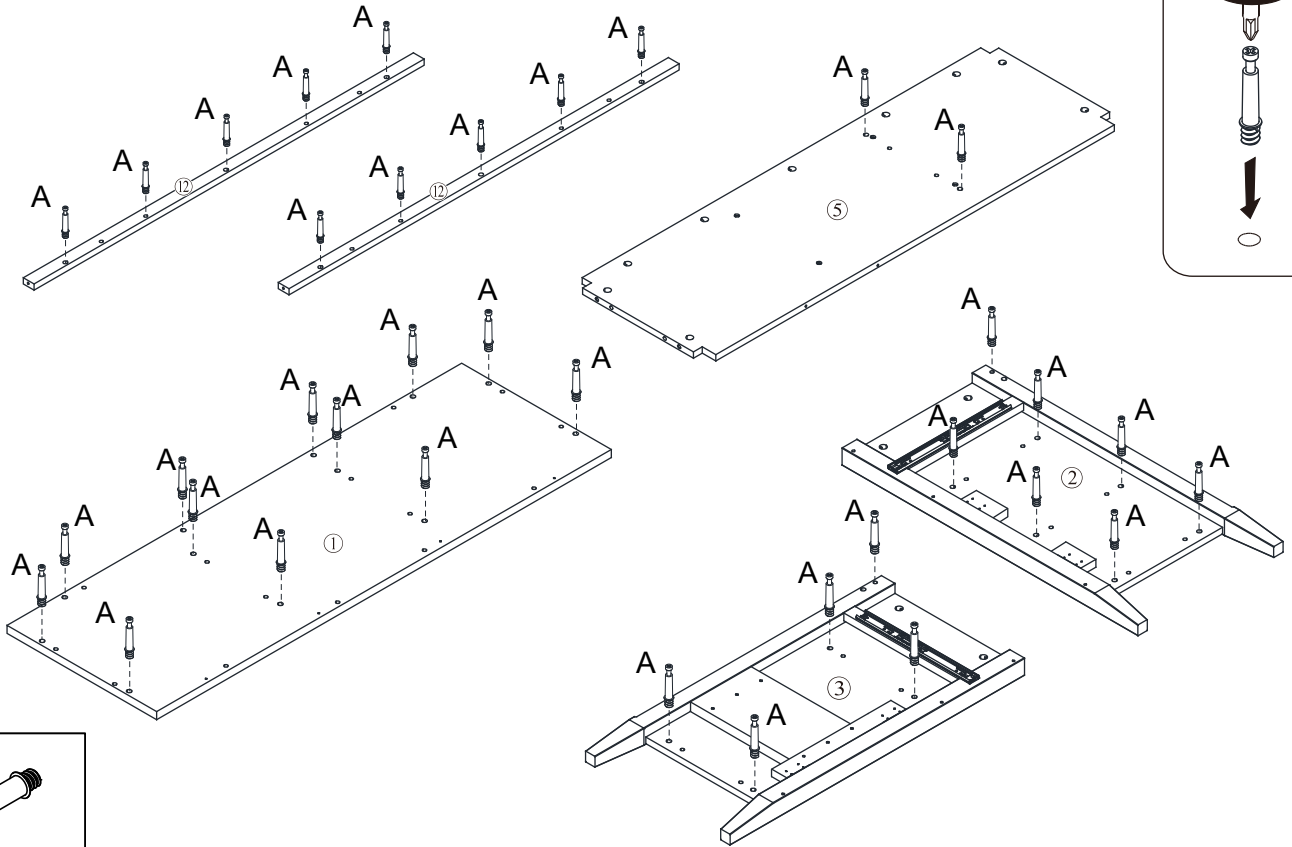


## Tool required

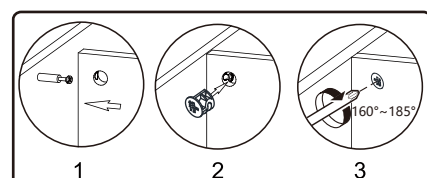
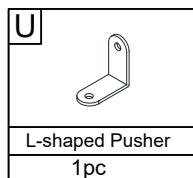
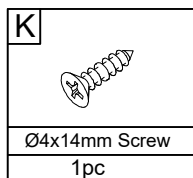
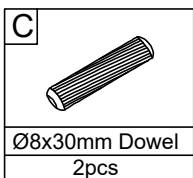
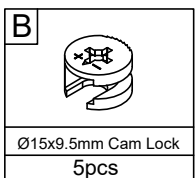
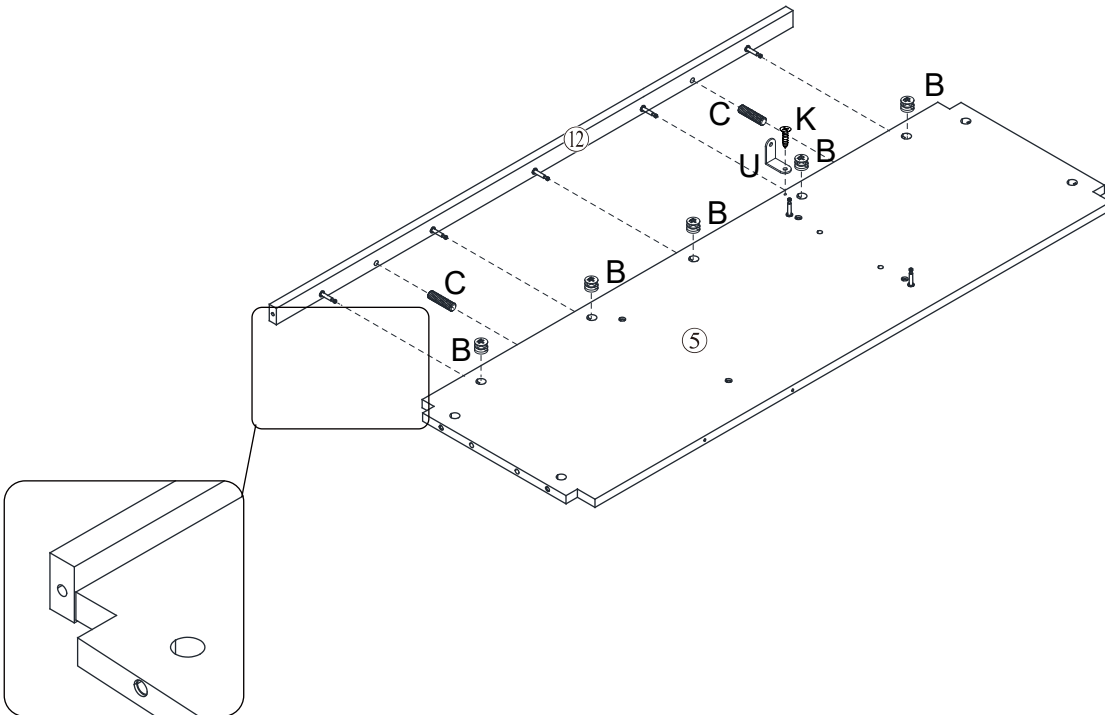


Crosshead Screwdriver (not provided)

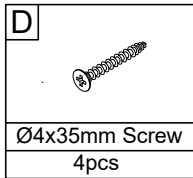
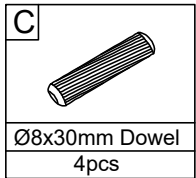
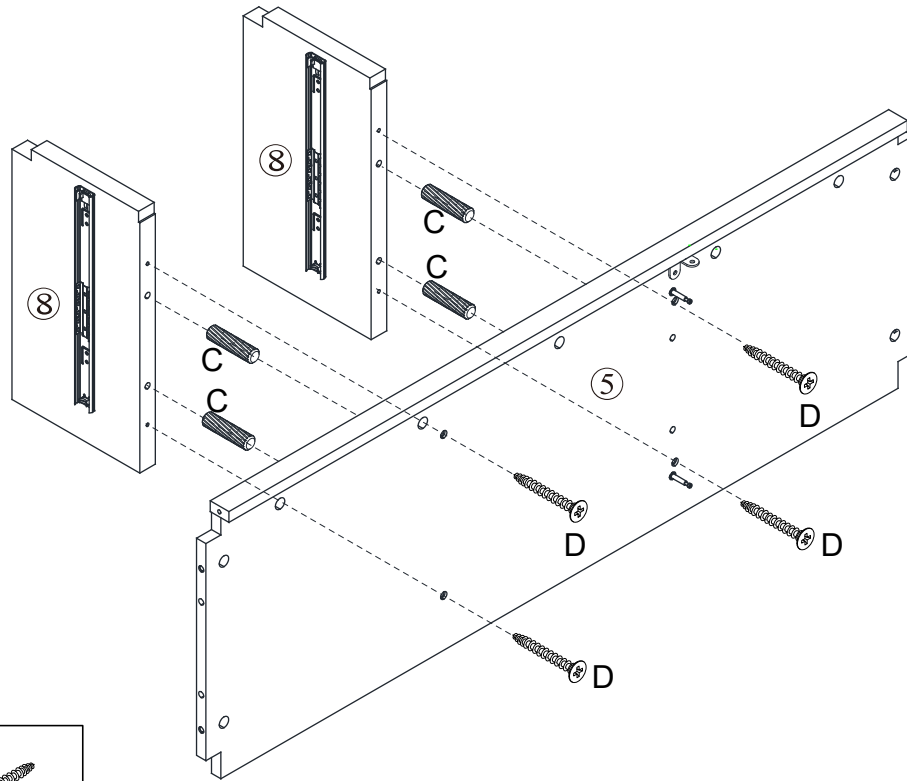
1. Attach parts to the top panel, shelf panel, side panels and centre supports.



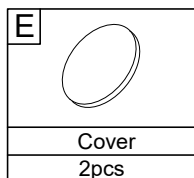
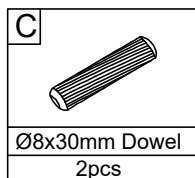
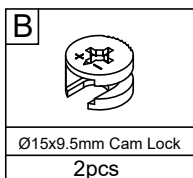
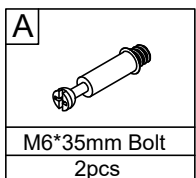
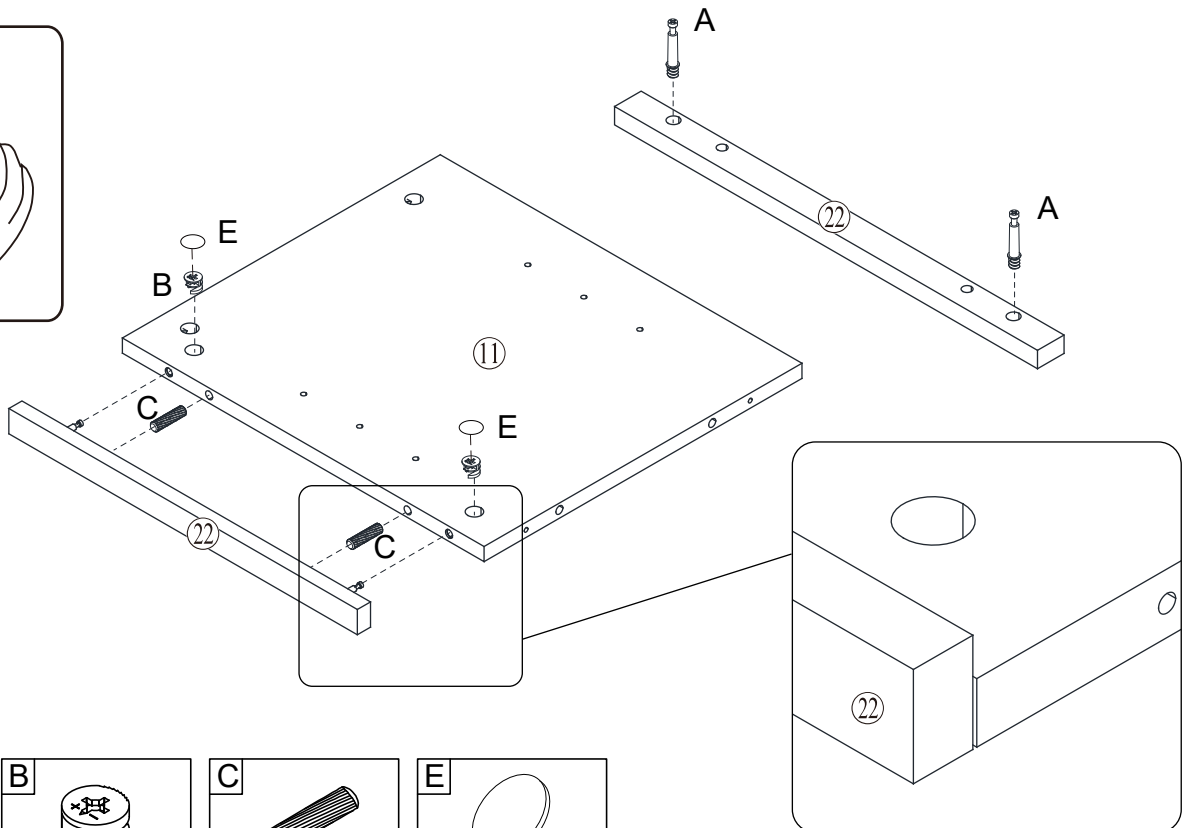
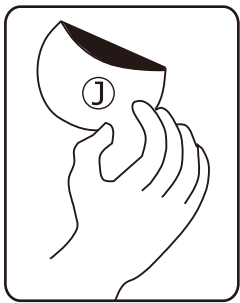
2. Attach the centre support to the shelf panel.



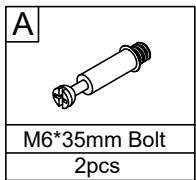
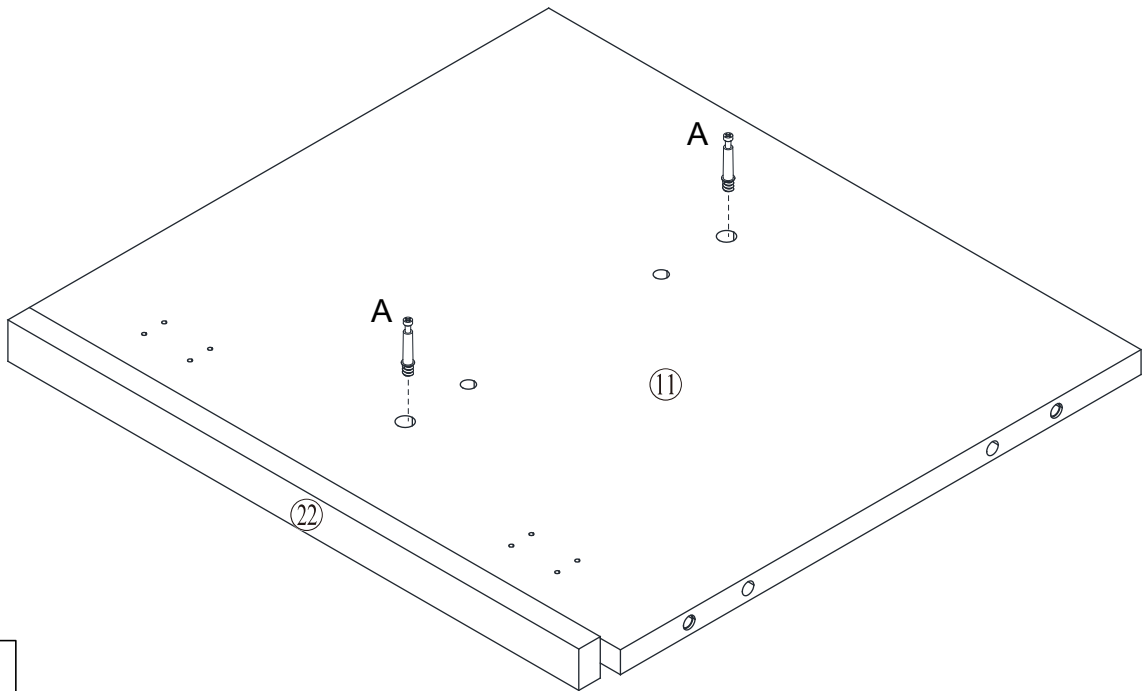
### 3. Attach the middle panels to the shelf panel.



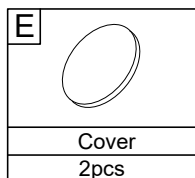
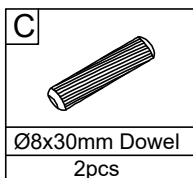
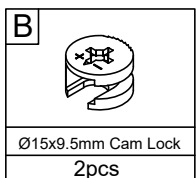
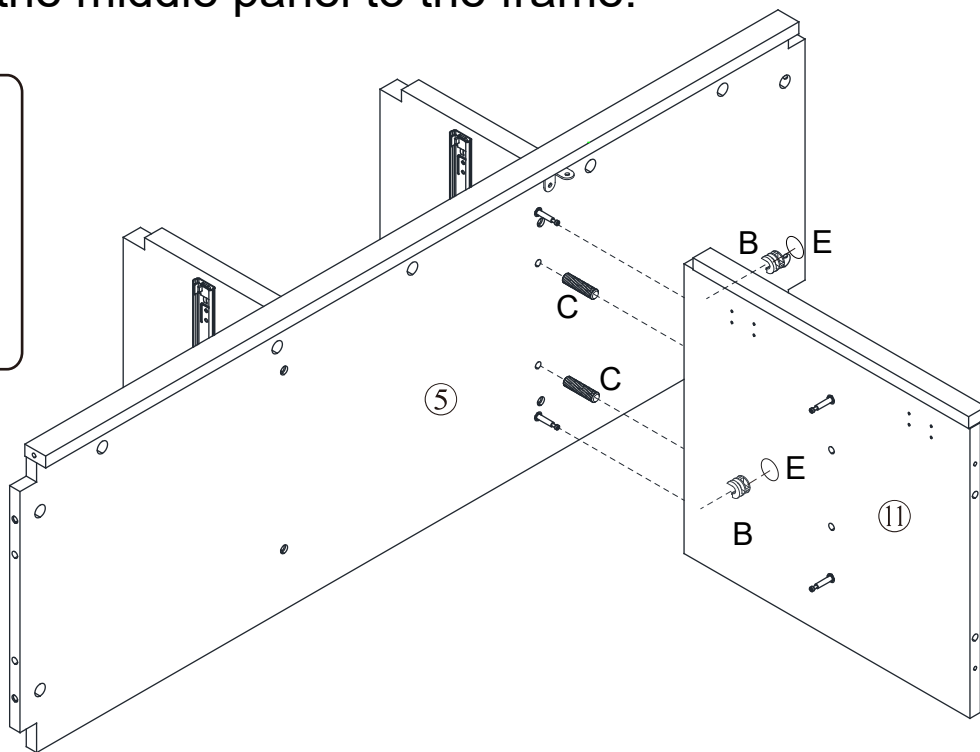
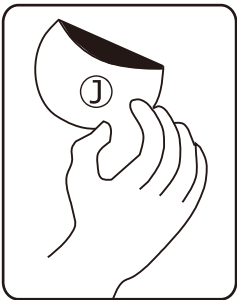
### 4. Attach the centre support to the middle panel.



## 5. Attach parts to the middle panel.

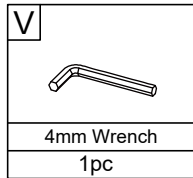
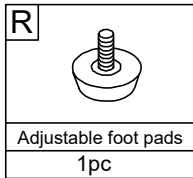
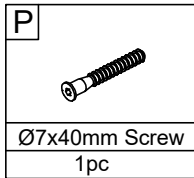
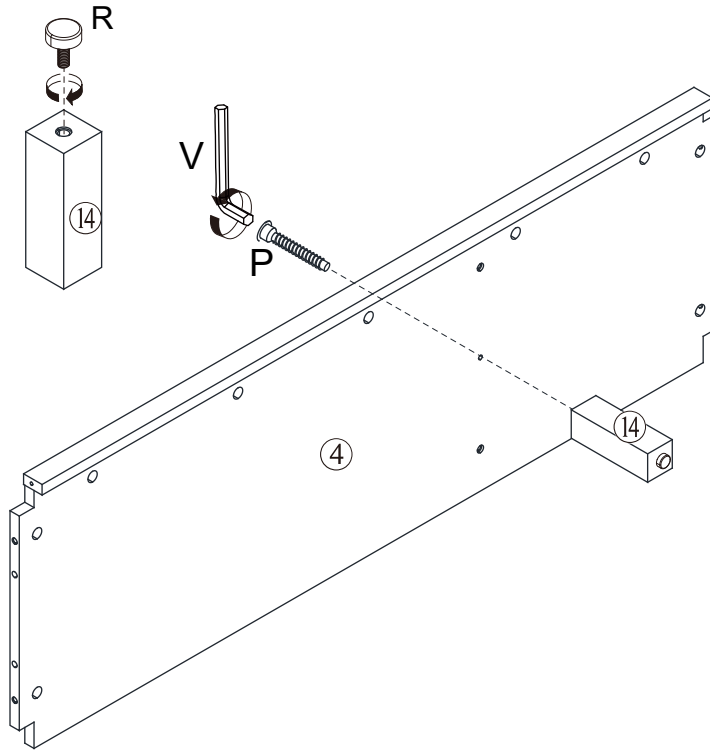


## 6. Attach the middle panel to the frame.

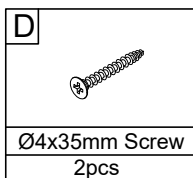
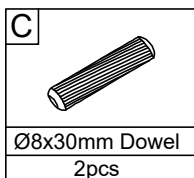
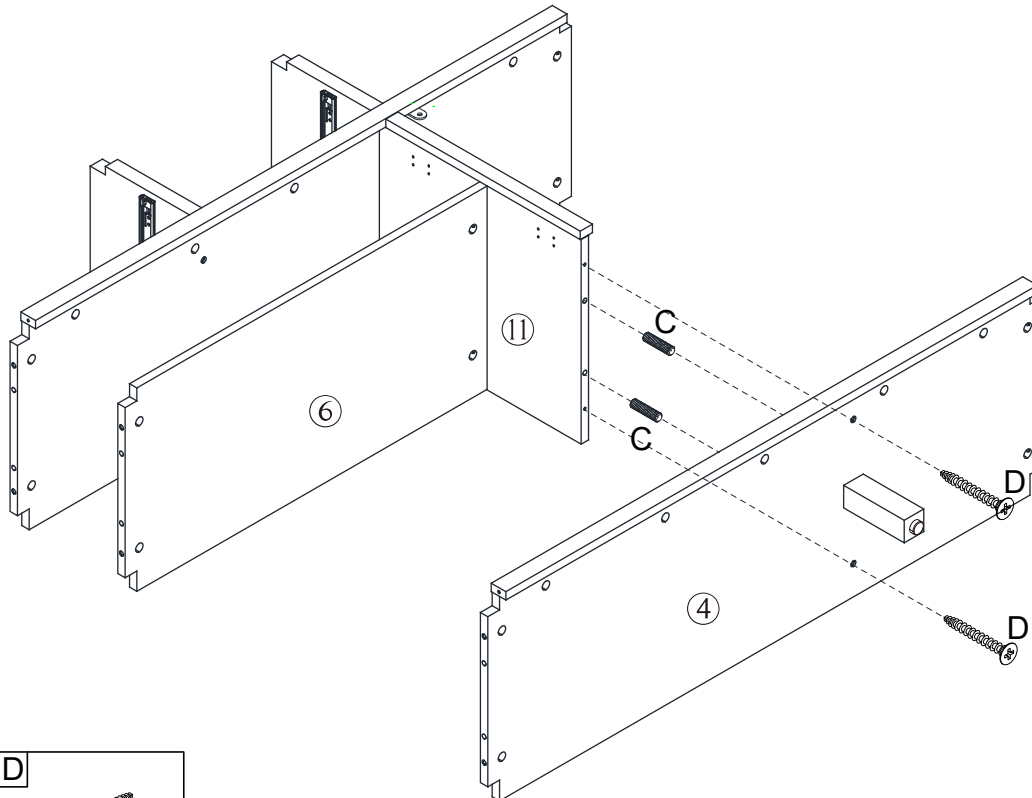




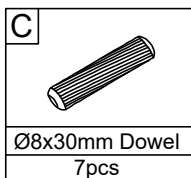
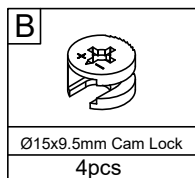
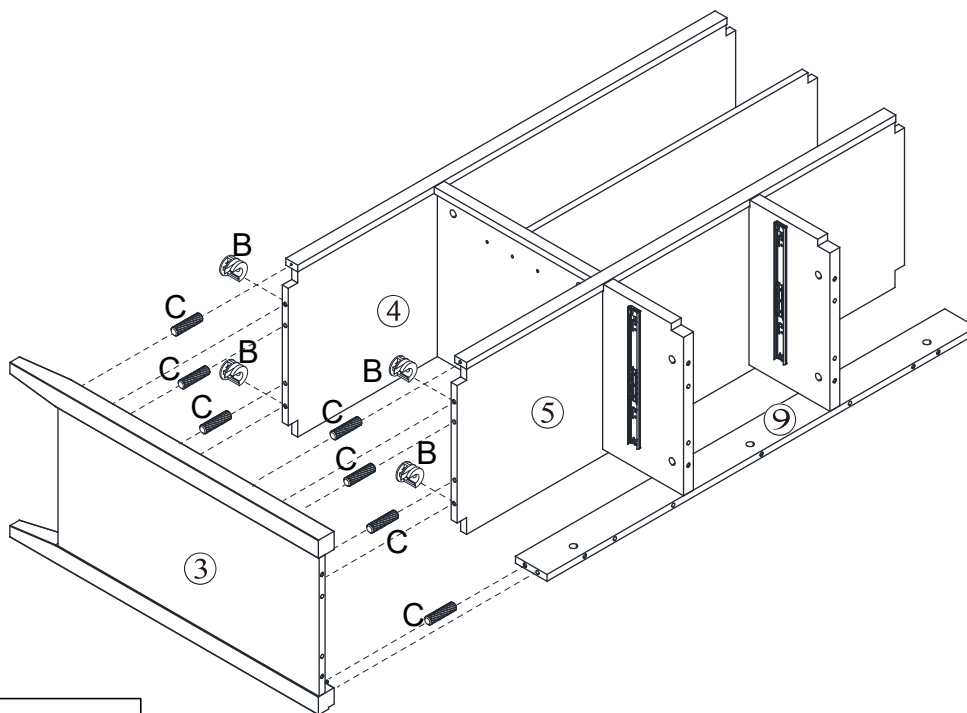
## 9. Attach the centre leg to the bottom panel.



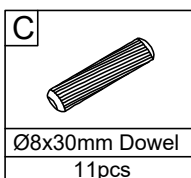
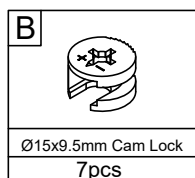
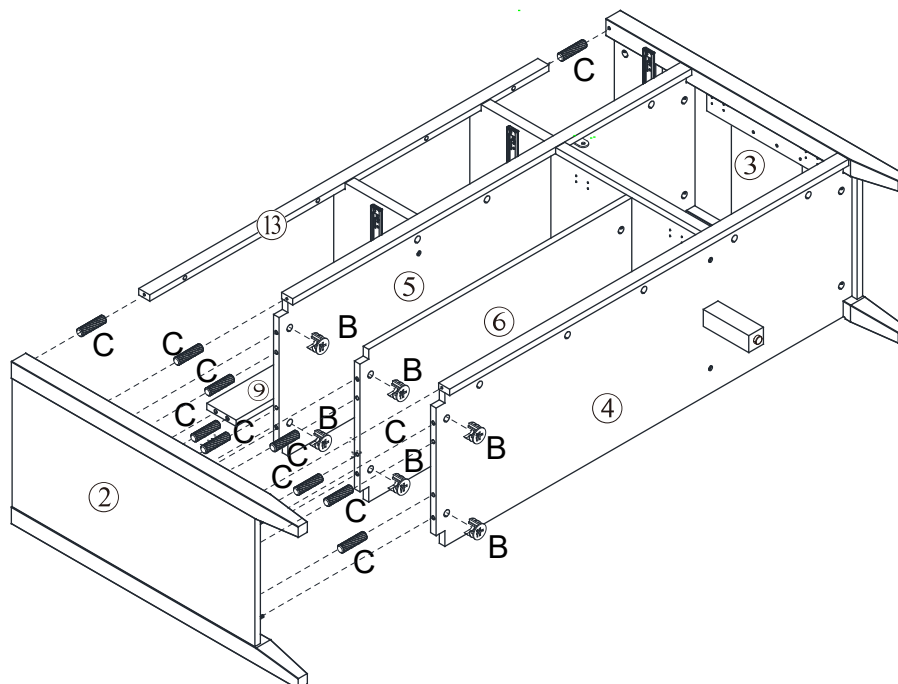
## 10. Attach the bottom panel to the frame.



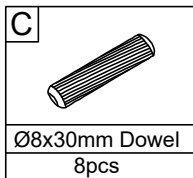
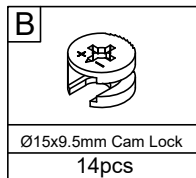
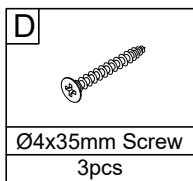
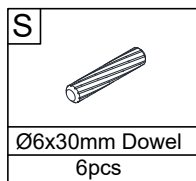
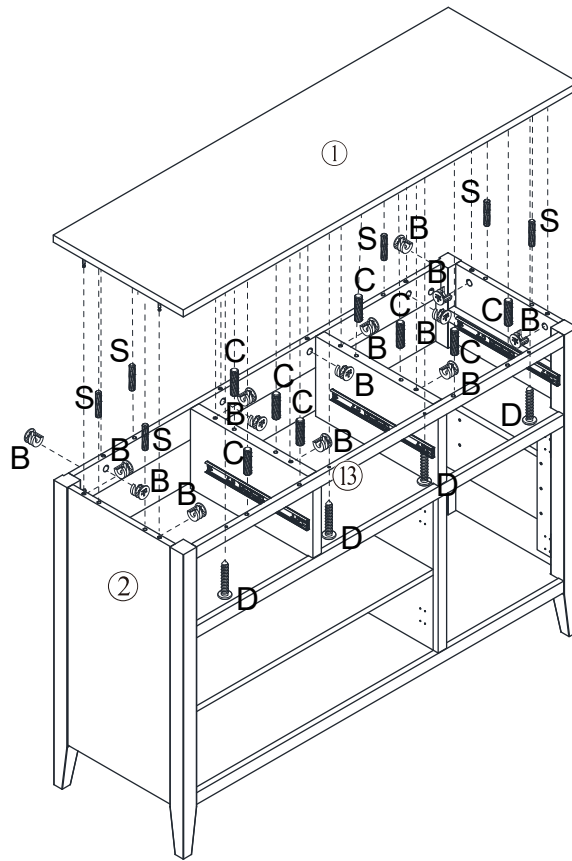
11. Attach the right side panel and the centre support to the frame.



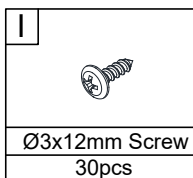
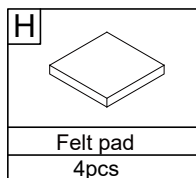
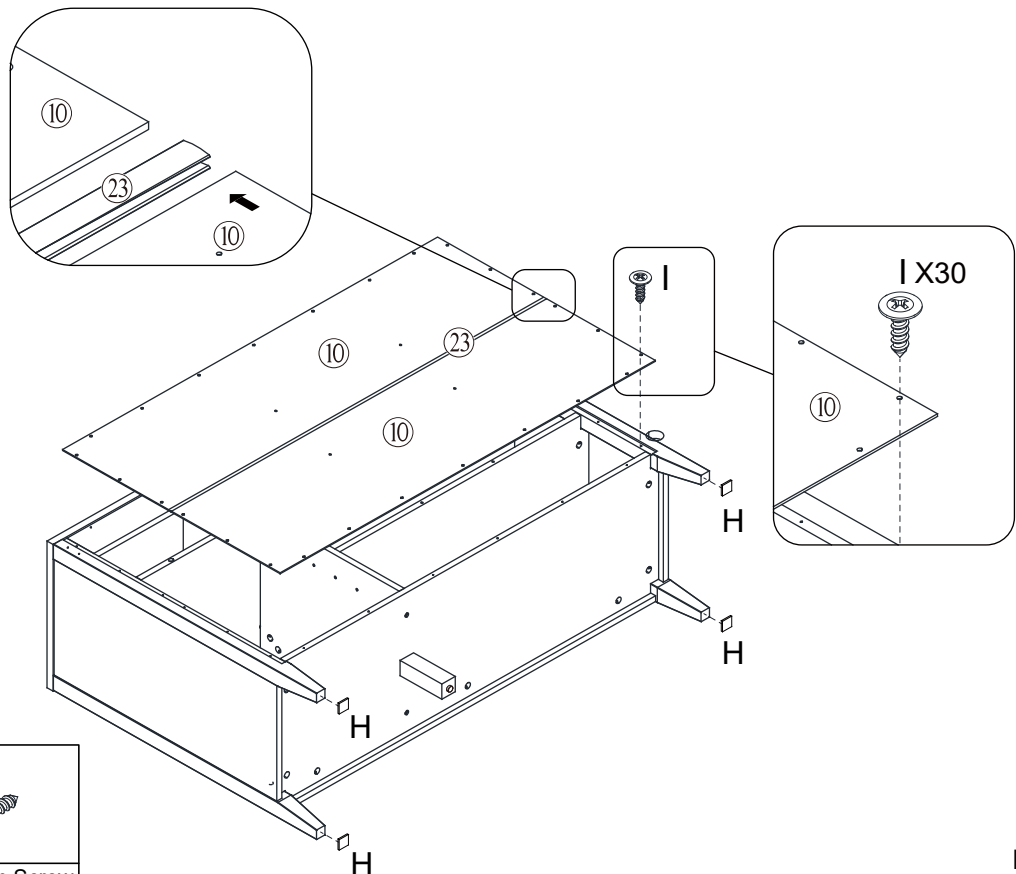
12. Attach the left side panel to the frame.



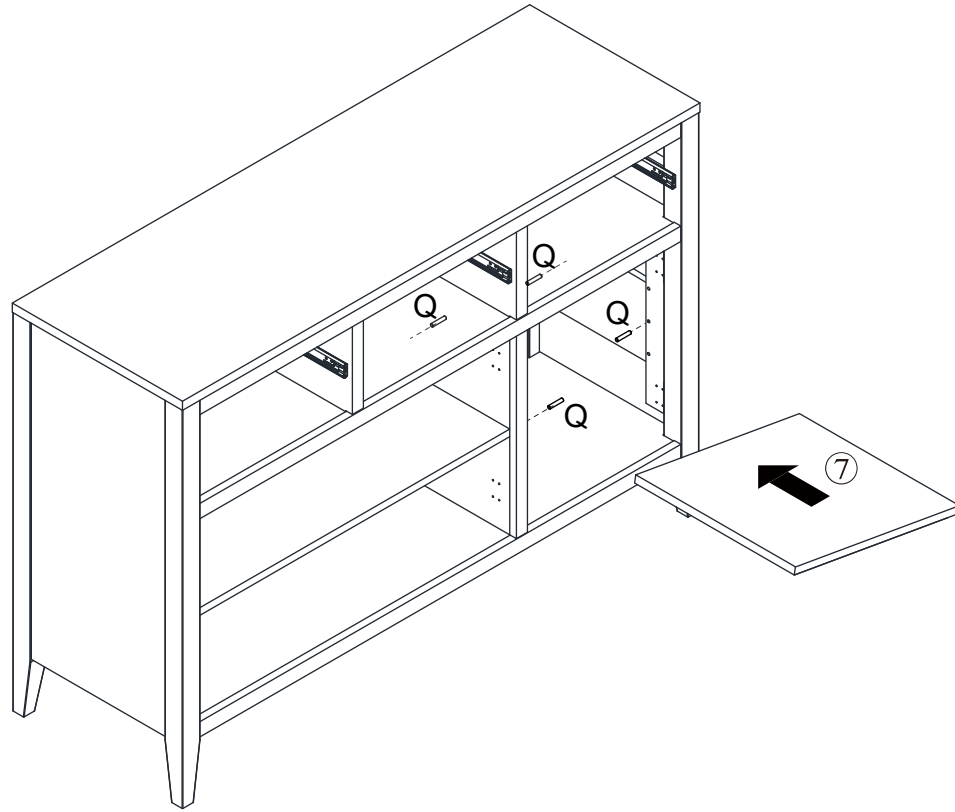
### 13. Attach the top panel to the frame.

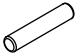


### 14. Attach the back panel and felt pads to the frame.

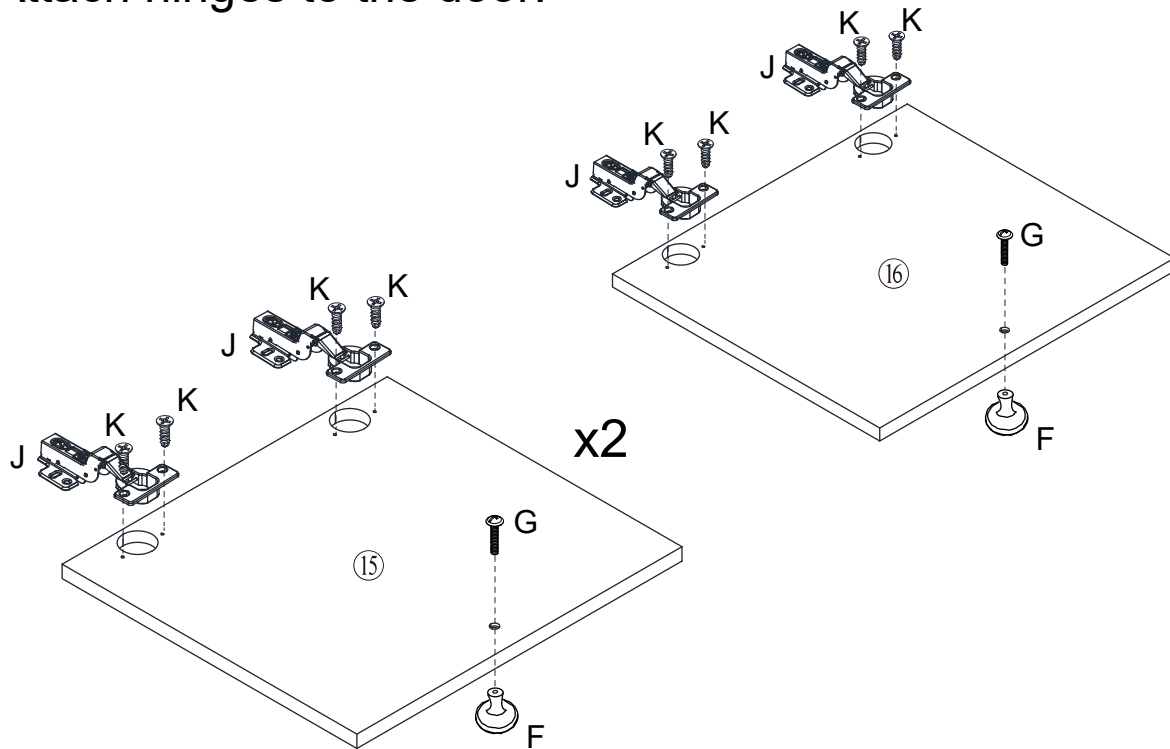



# 15. Assemble the shelf panel.





<b>Q</b>	
metal bracket	
4pcs	


# 16. Attach hinges to the door.



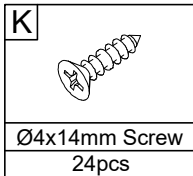
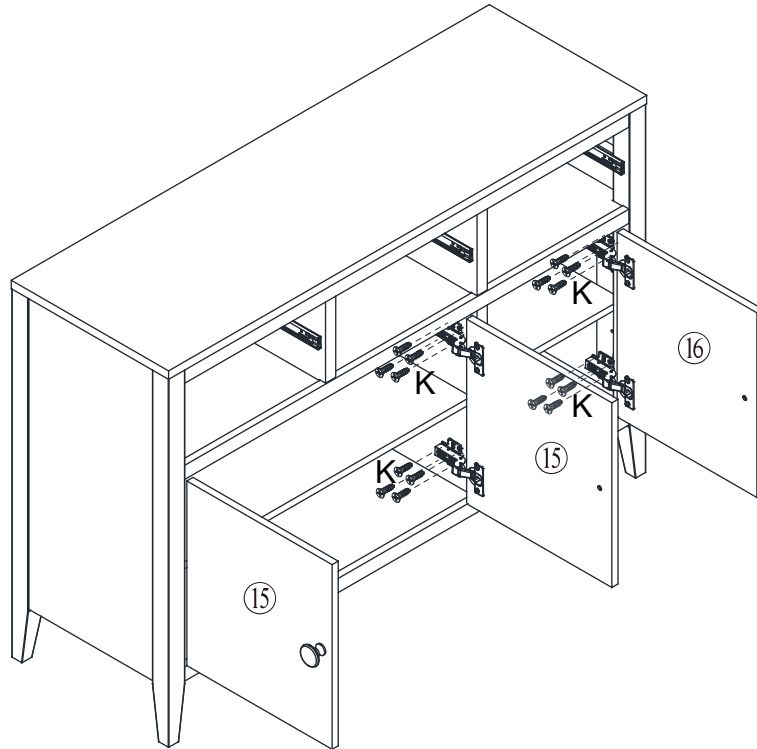
<b>F</b>	
Handle	
3pcs	

<b>G</b>	
M4*18mm Bolt	
3pcs	

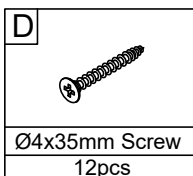
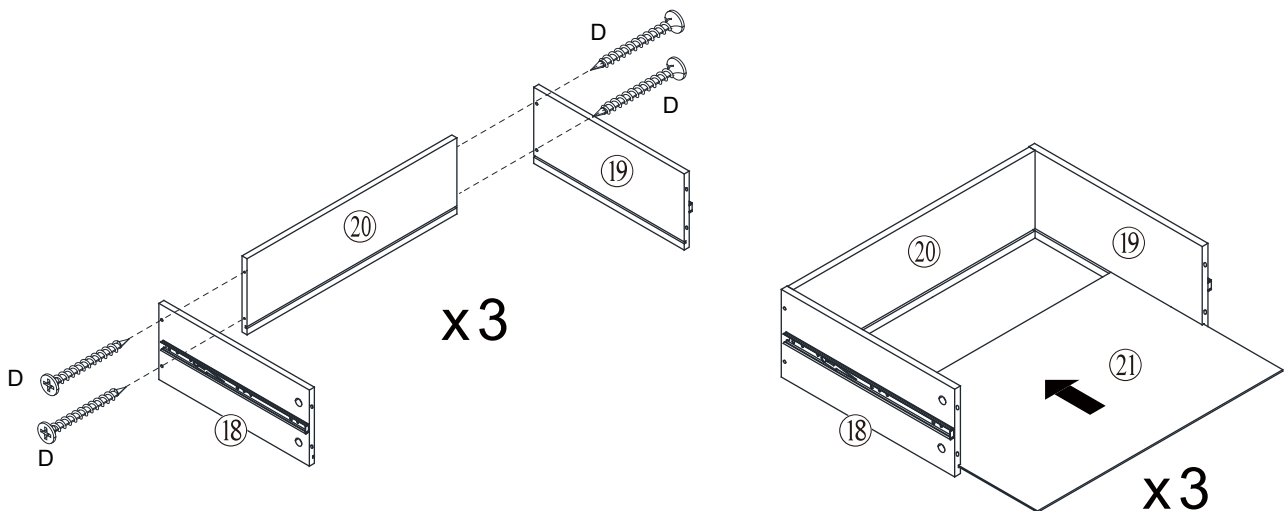
<b>J</b>	
Hinge	
6pcs	

<b>K</b>	
Ø4x14mm Screw	
12pcs	

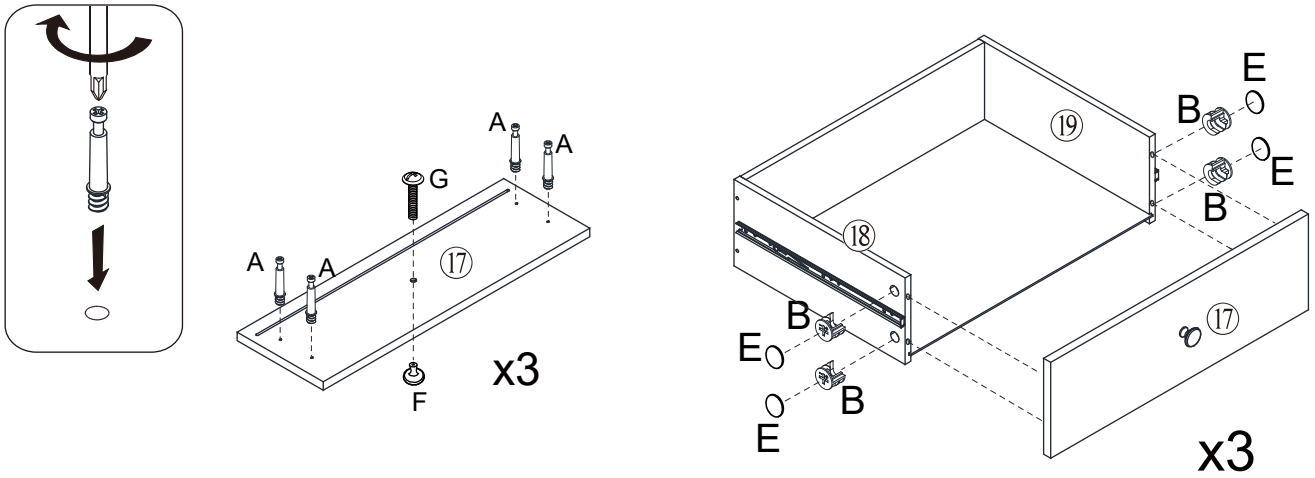
## 17. Attach door panels to the frame.

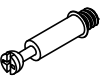






## 18. Assemble the drawers.

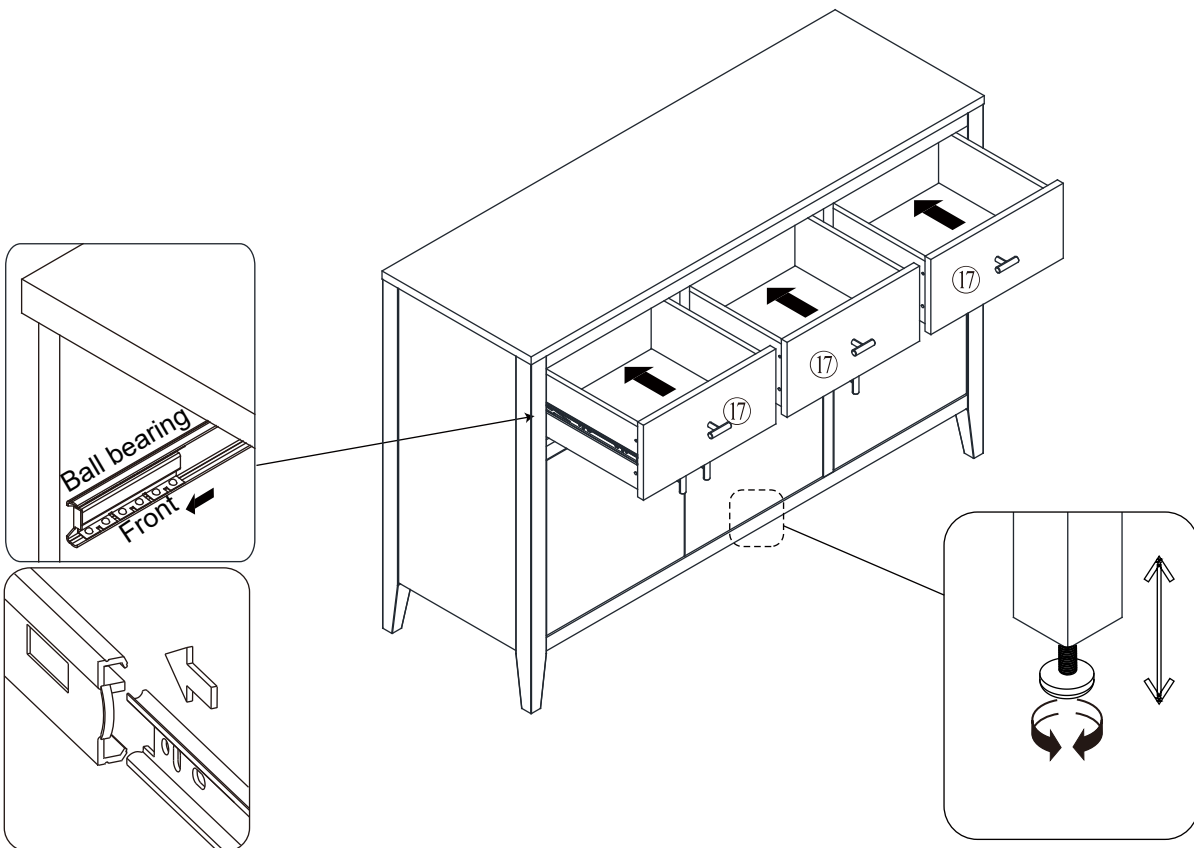


## 19. Assemble the drawer front.

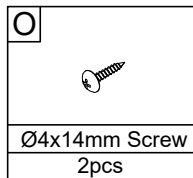
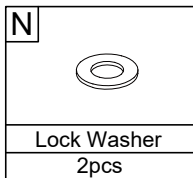
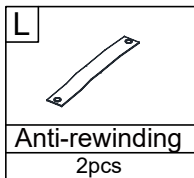
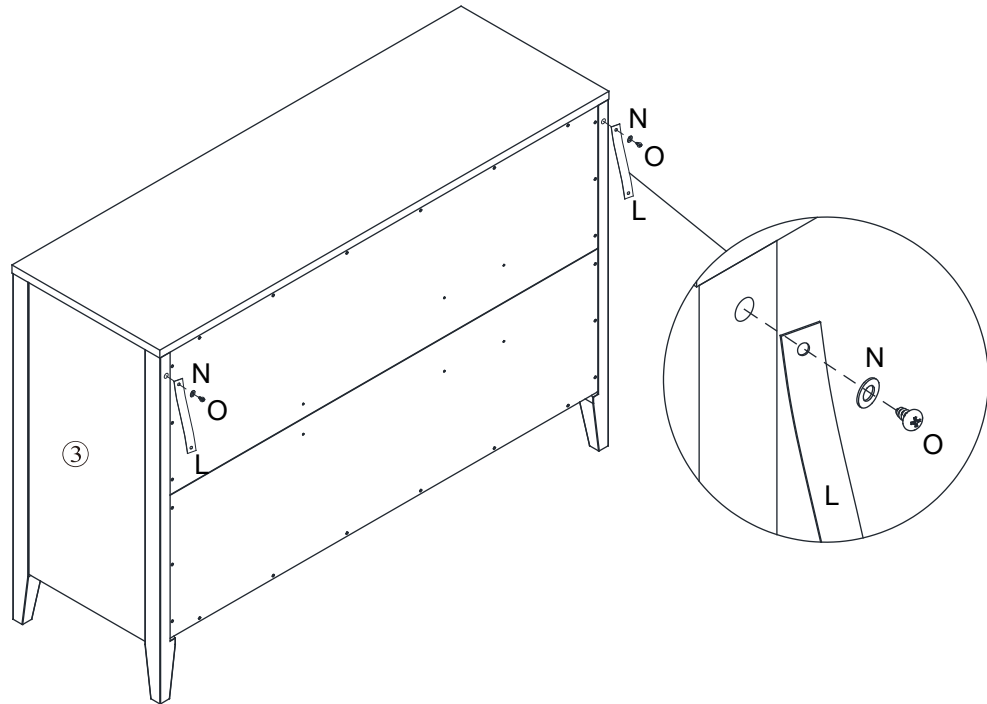


<b>A</b> 	<b>B</b> 	<b>E</b> 	<b>F</b> 	<b>G</b> 
M6*35mm Bolt 12pcs	Ø15x9.5mm Cam Lock 12pcs	Cover 12pcs	Handle 3pcs	M4*18mm Bolt 3pcs

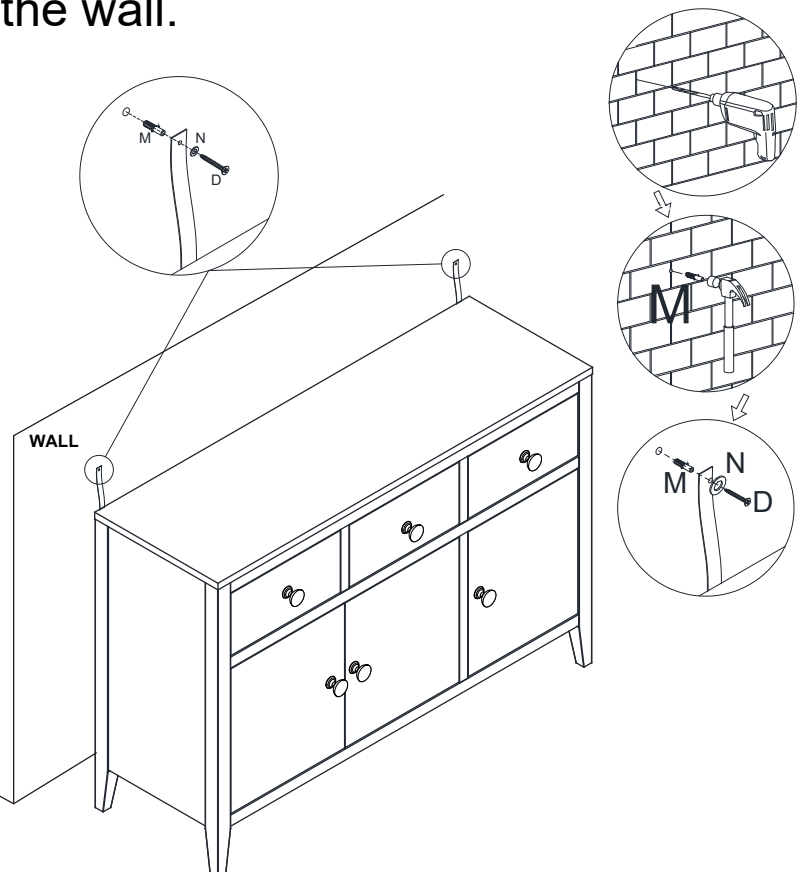
## 20. Assemble the drawers to the sideboard.



## 21. Attach the anti-rewinding.



## 22. Fix the anti-rewinding to the wall.



**!** Before applying the bracket to the wall, check pipes and cables that may be hidden behind.

**WARNING:** Manufacturer assumes no liability for improper installation or excessive loads placed on screws or bracket. This wall anchor is not a substitute for proper adult supervision. In order to prevent overturning this product must be used with the wall attachment device provided.

