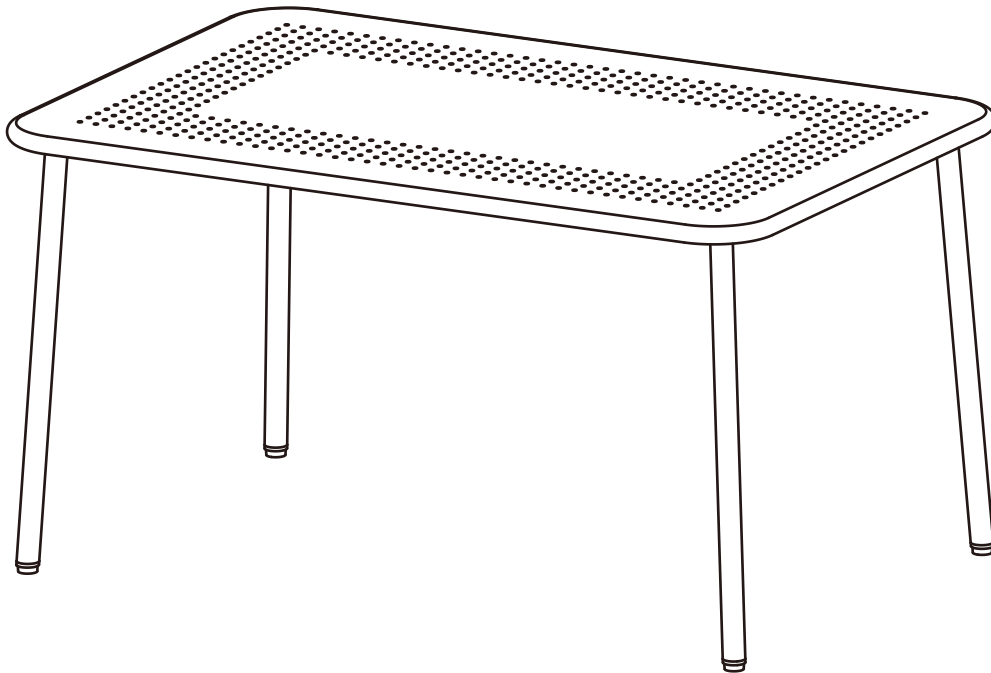


## Assembly Instructions

Product size:  
W160\*D90\*H74CM



*The frame of this product is manufactured from mild steel coated with a weather resistant paint. Steel has a natural tendency to rust over time and, whilst we expect you to be able to enjoy your furniture for many years to come, we recommend that you check the product from time to time for signs of paint damage and/ or rust. If the paint should become damaged, or if rust begins to form, you should clean the affected area and apply a suitable "thinners based" touch-up paint. Such paints are readily available in all good hardware and DIY stores.*

**IMPORTANT, RETAIN FOR FUTURE REFERENCE  
READ CAREFULLY**

## Before you start

### Warnings

#### IMPORTANT, RETAIN FOR FUTURE REFERENCE READ CAREFULLY

See enclosed instructions for assembly, safety and care information.

Failure to follow the warnings could result in serious injury.

Handle heavy parts with care.  
Ensure that this product is fully assembled as illustrated before use.

This product should only be used on firm, level ground.

This product is intended for **domestic** use only.

Keep small parts out of reach of children.  
Ensure the product is always placed on level ground.

Furniture can be dangerous if incorrectly used. No liability will be accepted for damage or injury caused by incorrect use of this product.

As with all articulated furniture, please exercise care when folding, unfolding or adjusting positions to avoid any possibility of pinching or trapping fingers.

Take care when opening and folding the furniture. Keep your hands away from moving parts in order to prevent trapping your fingers. Children should not open or close the furniture.

Please take care when handling or moving the product as careless handling may cause damage or injury.

### Dos

When you are ready to start, make sure that you have the right tools, plenty of space and a clean, dry area for assembly.

Unwrap all packaging materials and place the components on suitable surface to prevent scratching your product.

Check the pack and make sure you have all of the parts listed.

Wash the frame with a mild soap and water only. Rinse and dry thoroughly.

To extend the product life and appearance it is advisable to store the furniture in a cool dry place over winter.

Ensure that the furniture is clean and completely dry before putting in to storage.

In the event of the surface paint chipping or scratching, the easiest way to treat the problem is to treat with a spray paint/aerosol lacquer spray, equivalent to the colour of the furniture. This will prevent the metal from being exposed, preventing it from further deterioration.

### Don'ts

Do not use a metal brush when removing dirt from this item, as it will strip the paint off leaving the surface open to corrosion.

Do NOT use the table as a chopping surface. Do not strike the table with hard or pointed items.

Do NOT place very hot or very cold items on the table surface(s) unless adequately thick tablemats are used to prevent such items from coming into contact with the table.

Do NOT enclose the product in a plastic or other non-permeable material as this creates moisture.

Do not use this product if parts are missing, damaged or worn.

Never use scourers, abrasives or chemical cleaner.

Never drag furniture when moving it, always lift it.

Do NOT sit or stand upon the table surface(s).

Do NOT use the chair as a ladder.

Do NOT stand on the seat of the chair.

Do NOT climb on the chair.

Never tilt the chair. Ensure the chair is always placed firmly on a solid level surface.

### Number of people required for assembly

Two people



### Time to assemble

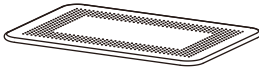



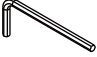


20 Minutes

### Tools required



Components, fixtures & fittings (not actual size)

Parts List					
Part No.	Diagram	Qty.	Part No.	Diagram	Qty.
A	 Table Top	1 PC	B	 Table Leg	4 PCS
B12	 Bolt Ø6 x 12mm	16 PCS	FW	 Flat Washer	16 PCS
AK	 Allen Key	1 PC			

## Step by step assembly instructions

### Step One

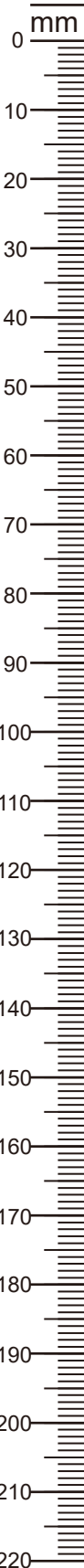
With the help of another person, open the carton, place the Table Top (A) upside down on a flat, non-abrasive and soft platform to avoid scratching the table surface or rim.

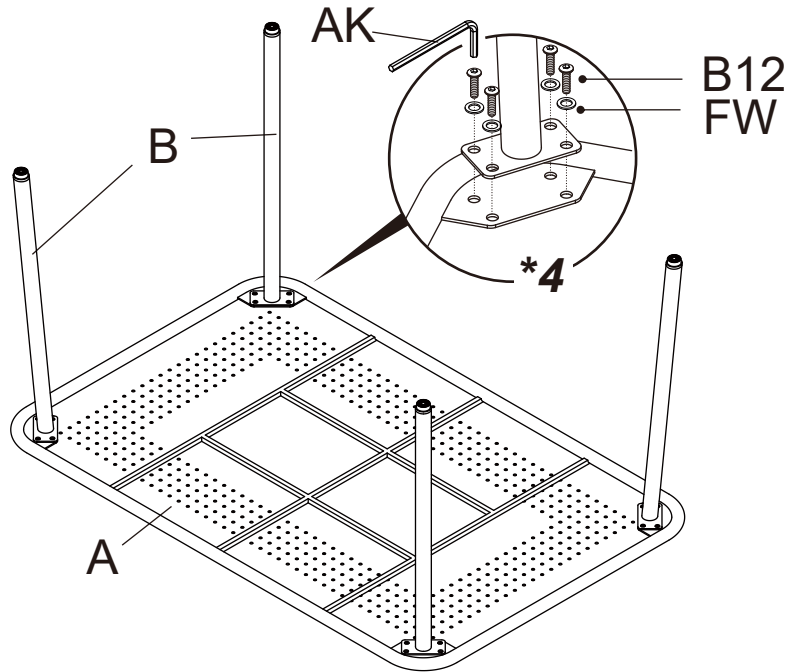
### Step Two

With the help of another person, attach the Table Legs (B) to the Table Top (A) using Flat Washers (FW) and Bolts (B12).

**IMPORTANT REMINDER: Please check the Leg Direction carefully. There is direction sticker on the Table Legs.**

Tighten all bolts with Allen Key (AK).  
Do Not Over Tighten.

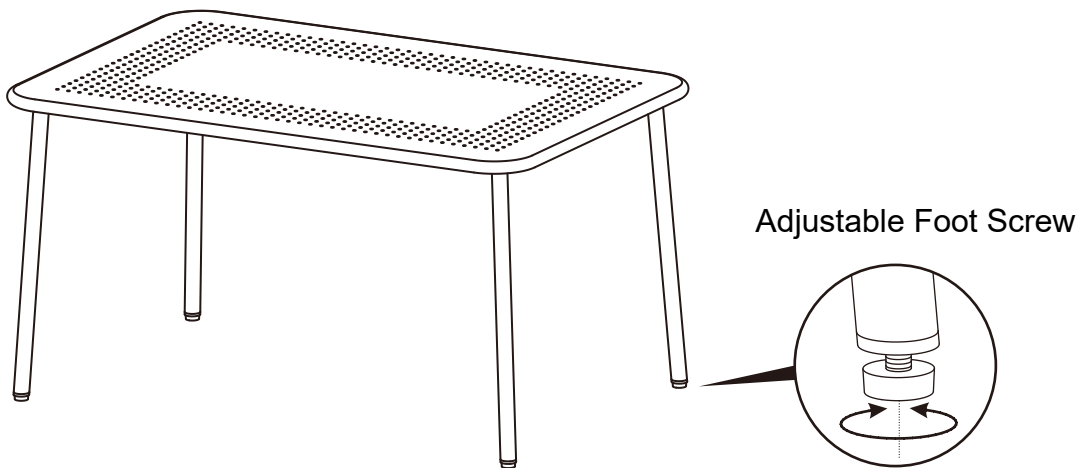




## Step Three

With the help of another person, stand the Table, level the table with Adjustable Feet Screws under Table Legs.

Your Table is now ready for use.



**PLEASE KEEP THESE INSTRUCTIONS FOR FUTURE REFERENCE**