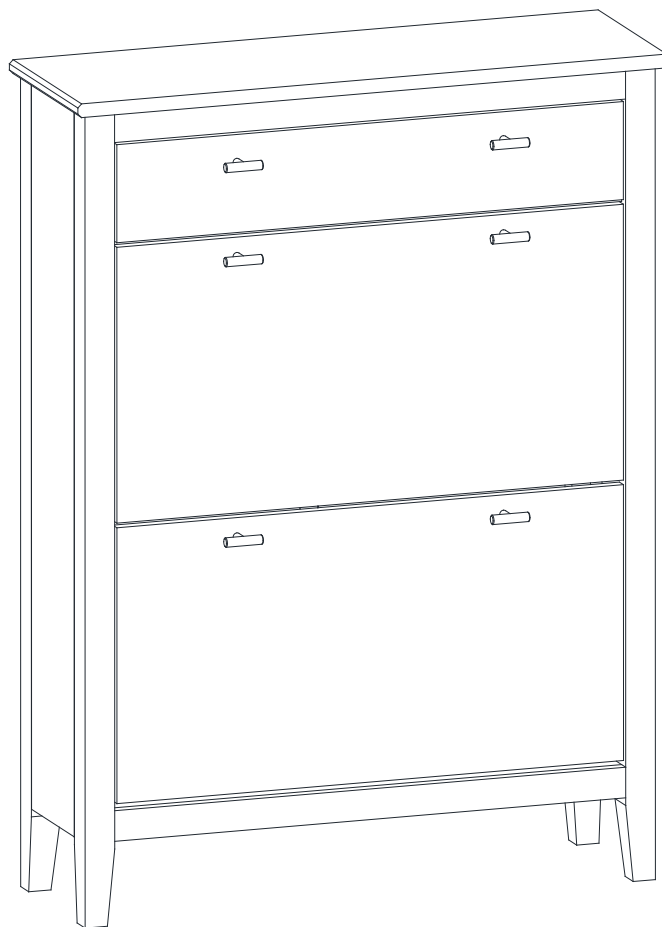


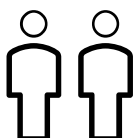
## Shoe Cabinet



THIS INSTRUCTION BOOKLET CONTAINS IMPORTANT SAFETY INFORMATION.  
PLEASE READ AND KEEP FOR FUTURE REFERENCE.



50 minutes approx  
assembly time



Two adults  
assembly required

# Important

## Assembly Tip

Before you begin, we advise laying everything out on a clean and soft level surface to avoid damaging the unit or your floor. It's best to identify all of the parts and fittings to build your shoe cabinet, and to familiarise yourself with all of the parts and fittings before building.

## Top Tip

We recommend that you build your new shoe cabinet in the room you'd like it to be located. This will help prevent any risk of damage to the product whilst moving it.

## Safety and Care

1. It's important to ensure children and animals are kept away from the assembly area, as there are small components used in this shoe cabinet which could present a choking hazard. All plastic and wrapping materials should also be kept away from children and animals to prevent any risk of suffocation.
2. Do not stand on your product.
3. Always use the item on firm level ground, ensuring all legs remain in contact with the ground.
4. Place heaviest items in the lowest drawers.
5. Do not set TV or other heavy objects on top of the product.
6. Children should always be under supervision whilst using this product. Never allow children to climb on the drawers.
7. Never keep more than one drawer open at the same time.
8. The installation of anti tipping kit to secure your furniture is strongly suggested.
9. Serious or fatal crushing injuries can occur from tipping furniture.

## Help and Support

Please contact our customer service team on 0113 519 0311 if you have any questions or issues with your purchase.

## Recycling

Please ensure that packaging is disposed of in a safe and environmentally friendly way, and recycle where possible. Please keep your assembly instructions safe to refer back to in the future.

# Care and Maintenance

1. Only clean using a damp cloth, do not use bleach or abrasive cleaners as they may damage the finish over time.
3. Do not scrub or rub the surface when cleaning.
2. Do not use a very wet cloth or allow any liquid to contact with the veneer for a long period of time. Wipe any spillage immediately. Absorption can cause wood to warp or finishes to de-laminate.
4. Do not drag the shoe cabinet when moving, lift it off the floor instead.
5. Use a placemat or a coaster when putting hot items (e.g. hot drinks and dishes) on the wood surface.
6. It is not recommended to place the item next to sources of heat such as radiators, fires or directly exposed to sunlight. This may cause the wood to crack, split or fade due to the change of the humidity and temperature.
7. Wood will mellow and change colour over time, we recommend that ornaments and items placed on the surface to be moved regularly to prevent uneven mellowing.
8. Regularly check all fixings to ensure none have come loose. Re-tighten if necessary.
9. Avoid sharp items such as a screwdriver or any pointy tools.

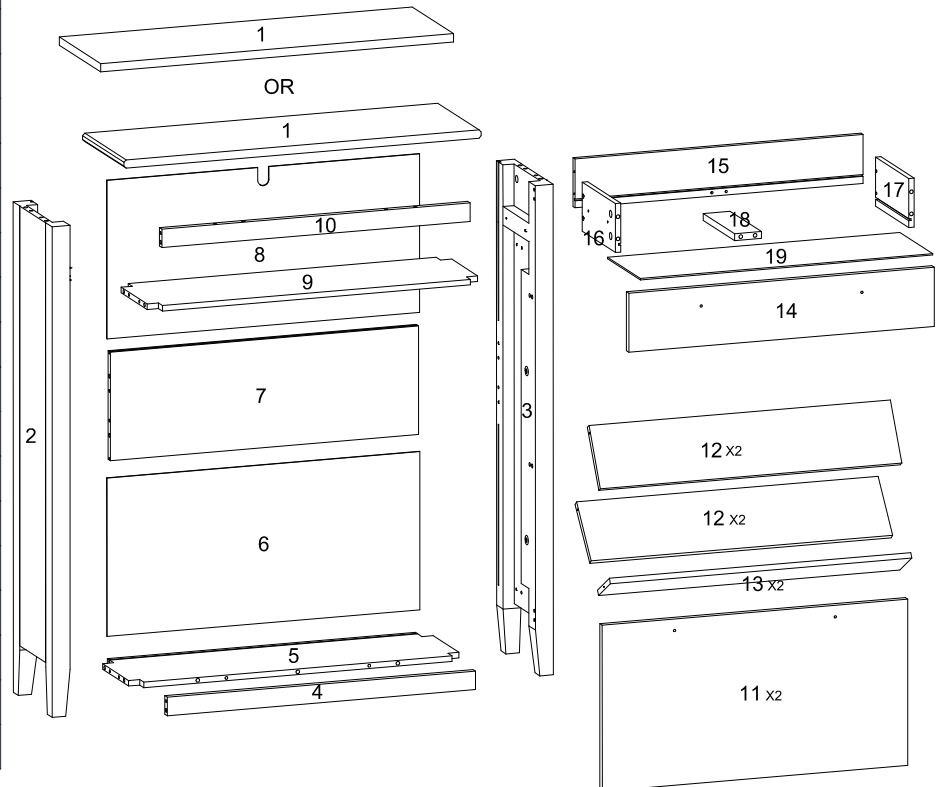
# Parts checklist

Please check you have all the parts listed below with your product:

Do not discard any of the packaging until you have checked that you have all the parts and the pack of fixings.

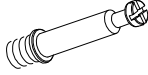

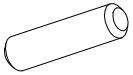
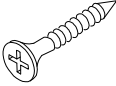
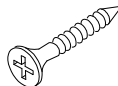
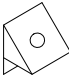






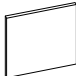

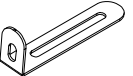

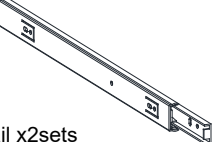


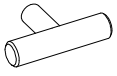

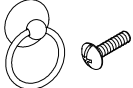
Note: There are 2 styles of part 1, both assemble identically so please follow the same instructions for whichever style you have chosen. Part 1 is packed in other boxes.

Part Number	Part Description	Qty
1	Top Panel	1 pc
2	Left Panel	1 pc
3	Right Panel	1 pc
4	Bottom Support Bar	1 pc
5	Bottom Panel	1 pc
6	Bottom Back Panel	1 pc
7	Middle Back Panel	1 pc
8	Upper Back Panel	1 pc
9	Middle Panel	1 pc
10	Upper Support Bar	1 pc
11	Flip Drawer Front	2 pcs
12	Flip Drawer Back Side	4 pcs
13	Flip Drawer Bottom	2 pcs
14	Top Drawer Front	1 pc
15	Top Drawer Back Side	1 pc
16	Top Drawer Left Side	1 pc
17	Top Drawer Right Side	1 pc
18	Top Drawer Support Bar	1 pc
19	Top Drawer Bottom	1 pc

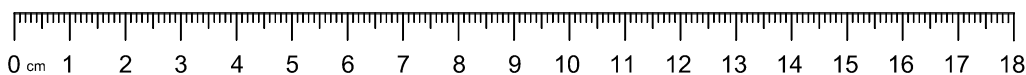


# Fittings checklist

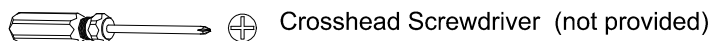
Please check you have all the fittings listed below with your product:

 <b>(A)</b> M6x35mm Cam Bolt x29pcs(+3 extra)	 <b>(B)</b> Ø15x9mm Cam Lock x29pcs(+3 extra)	 <b>(C)</b> Ø6x30mm Wood Dowel x24pcs(+3 extra)
 <b>(D)</b> M4x45mm Screw x2pcs	 <b>(E)</b> M4x35mm Screw x7pcs	 <b>(F)</b> Plastic Buckle x8pcs(+1 extra)
 <b>(G)</b> M3x14mm Screw x8pcs(+1 extra)	 <b>(H)</b> Flip Shelf x2sets	 <b>(I)</b> Spacer Pin x4pcs
 <b>(J)</b> M4x25mm Screw x16pcs(+2 extra)	 <b>(K)</b> M3.5x18mm Screw x12pcs(+1 extra)	 <b>(L)</b> Cover x4pcs
 <b>(M)</b> Felt Mat x4pcs	 <b>(N)</b> M3x14mm Screw x1pc	 <b>(O)</b> Wall Bracket x1pc
 <b>(P)</b> Wall Anchor x1pc	 <b>(Q)</b> Slide Rail x2sets	 <b>(R)</b> M3.5X12mm Screw X8pcs(+1 extra)
<div style="display: flex; justify-content: space-around; align-items: flex-start;"> <div style="text-align: center;">               Handlex6pcs Screw M4X20mm X6pcs           </div> <div style="text-align: center;">               Handlex6pcs Screw M4X20mm X6pcs           </div> <div style="text-align: center;">               Handlex6pcs Screw M4X20mm X6pcs           </div> <div style="text-align: center;">               Handlex6pcs Screw M4X16mm X6pcs           </div> </div> <p><b>(Z)</b> Note: We have 4 styles of handle,all assemble identically so please follow the same instructions for all. Handle and corresponding screws are packaged separately.</p>		



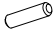
## Bolt Length Ruler:

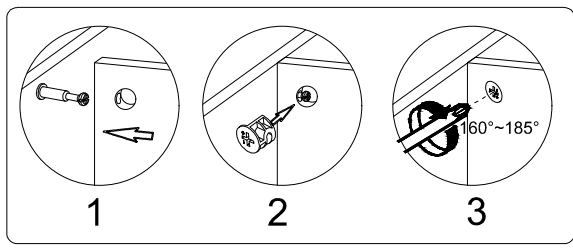
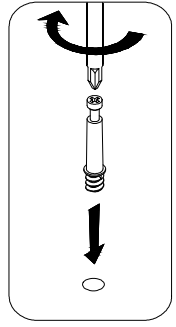
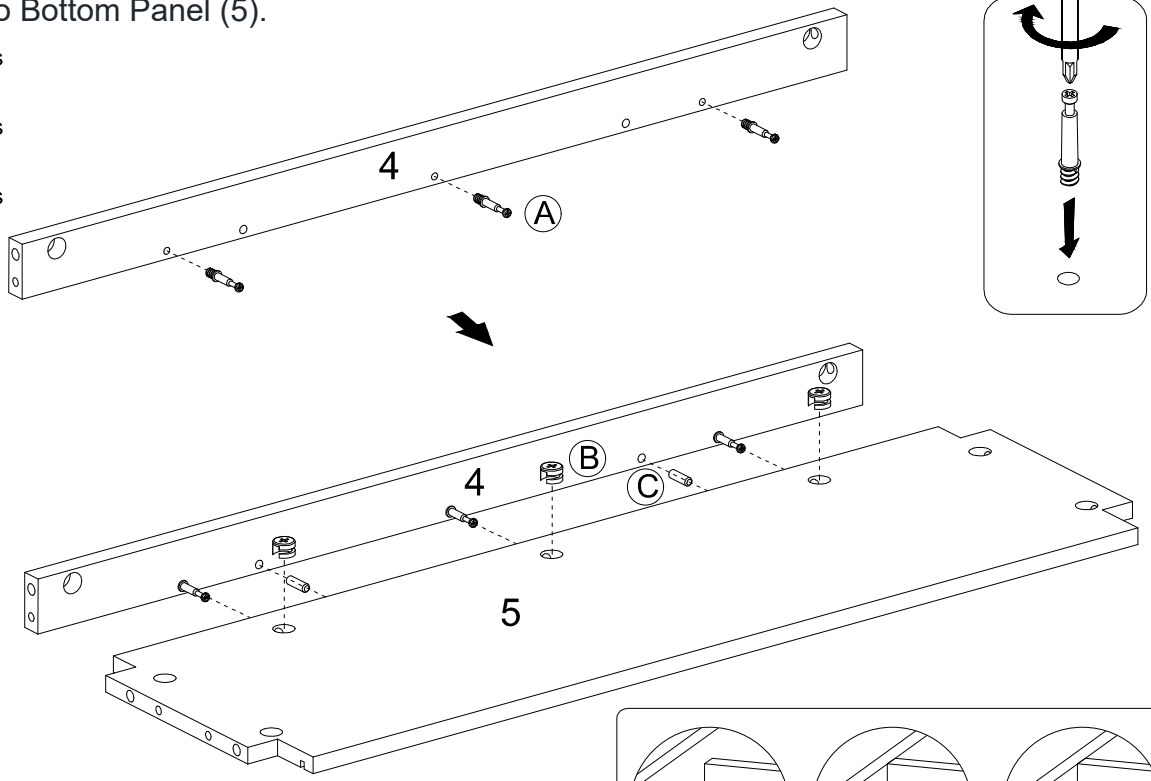


## Tool required








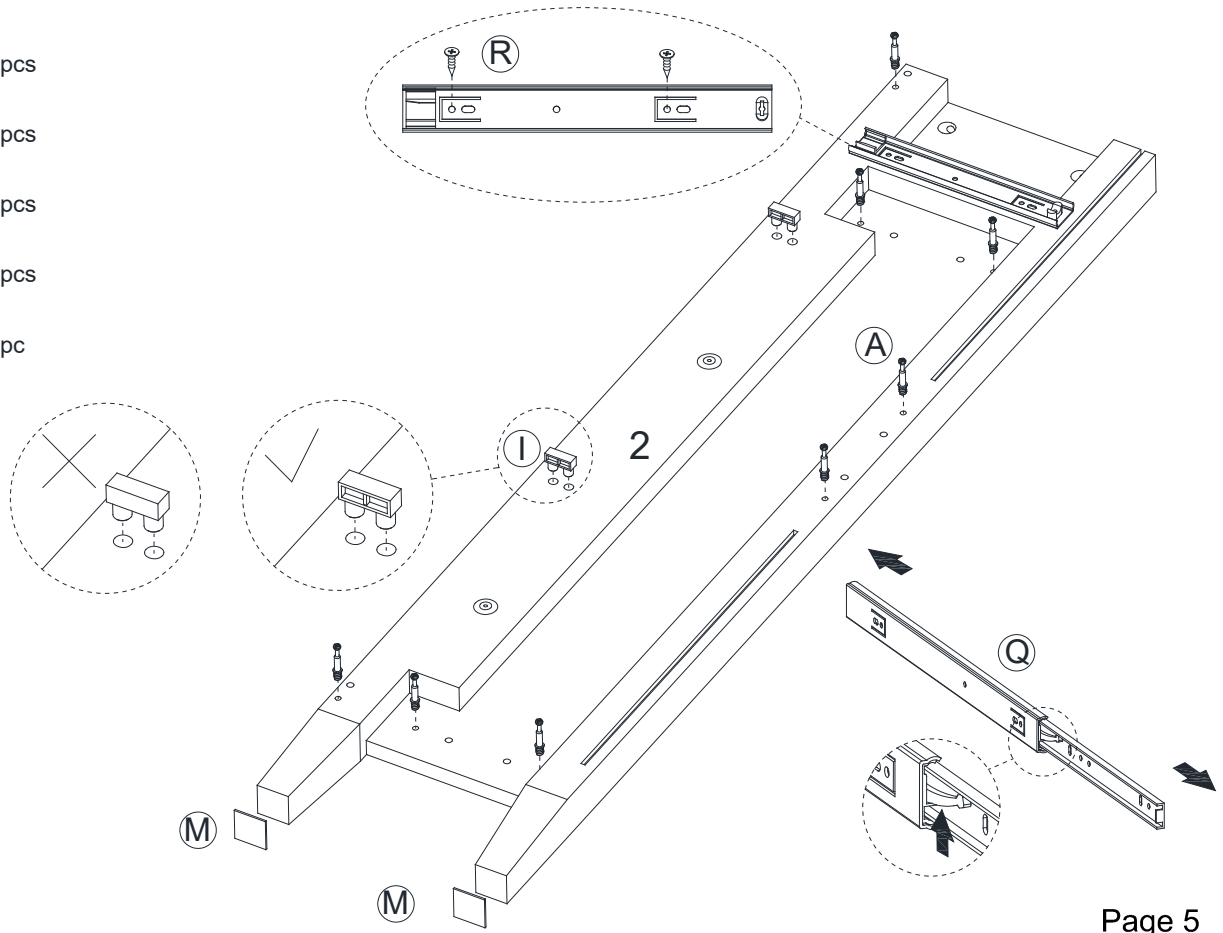
**Step 1:** Attach cam bolts to Bottom Support Bar (4), and then attach Bottom Support Bar to Bottom Panel (5).

- (A)  3pcs
- (B)  3pcs
- (C)  2pcs








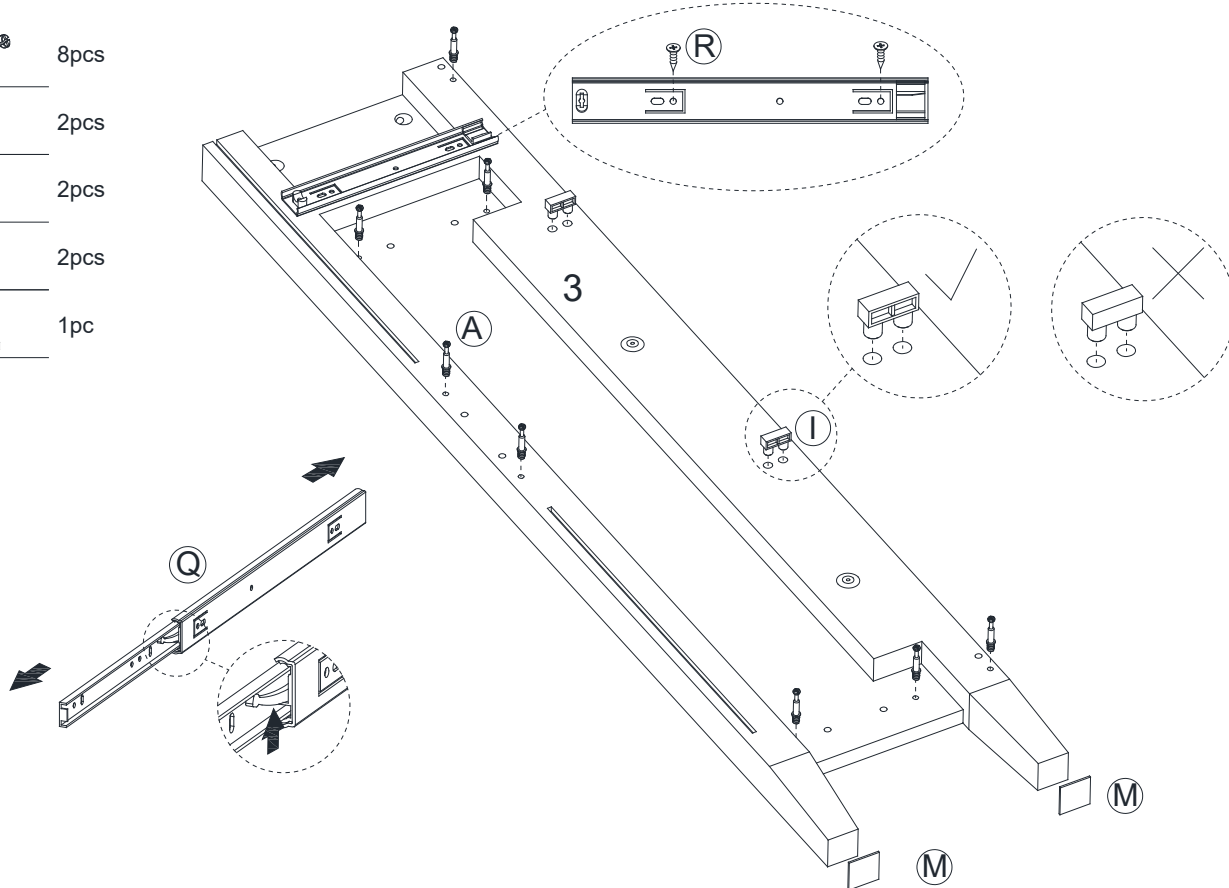
**Step 2:** Attach slide rail, cam bolts, spacer pin and felt mat to Left Panel (2).

- (A)  8pcs
- (I)  2pcs
- (M)  2pcs
- (R)  2pcs
- (Q)  1pc


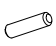


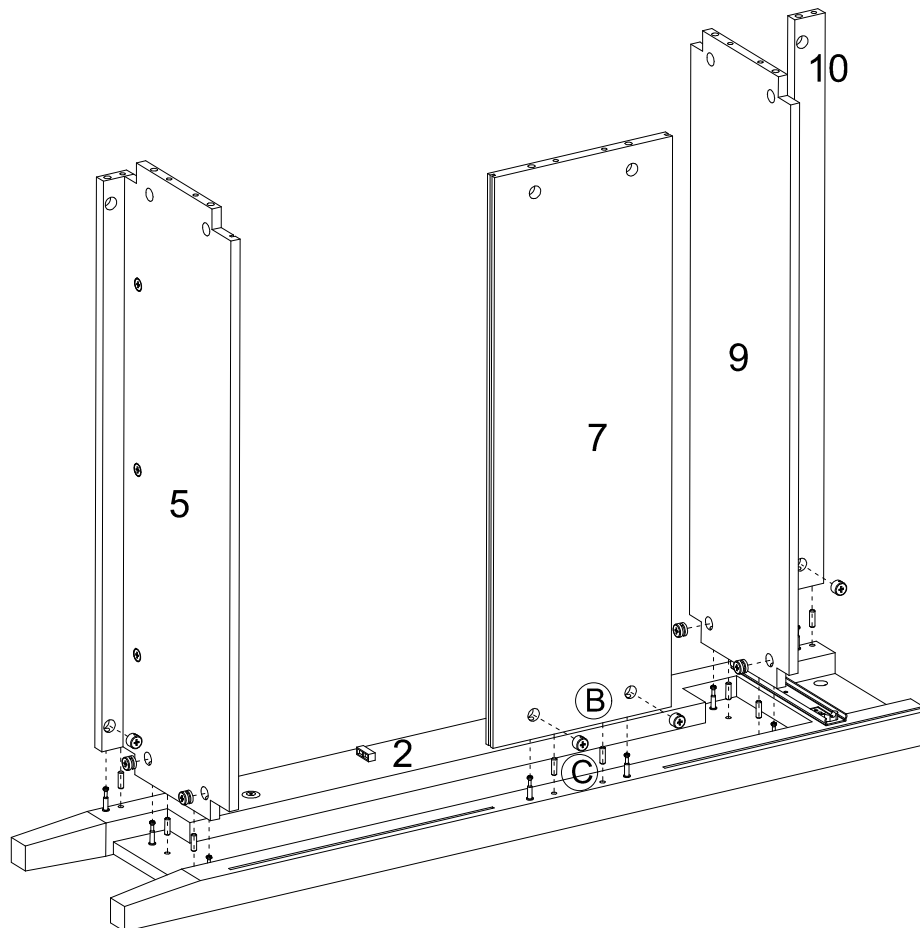
### Step 3: Attach slide rail, cam bolts, spacer pin and felt mat to Right Panel (3).

- Ⓐ  8pcs
- Ⓘ  2pcs
- Ⓜ  2pcs
- Ⓡ  2pcs
- Ⓚ  1pc

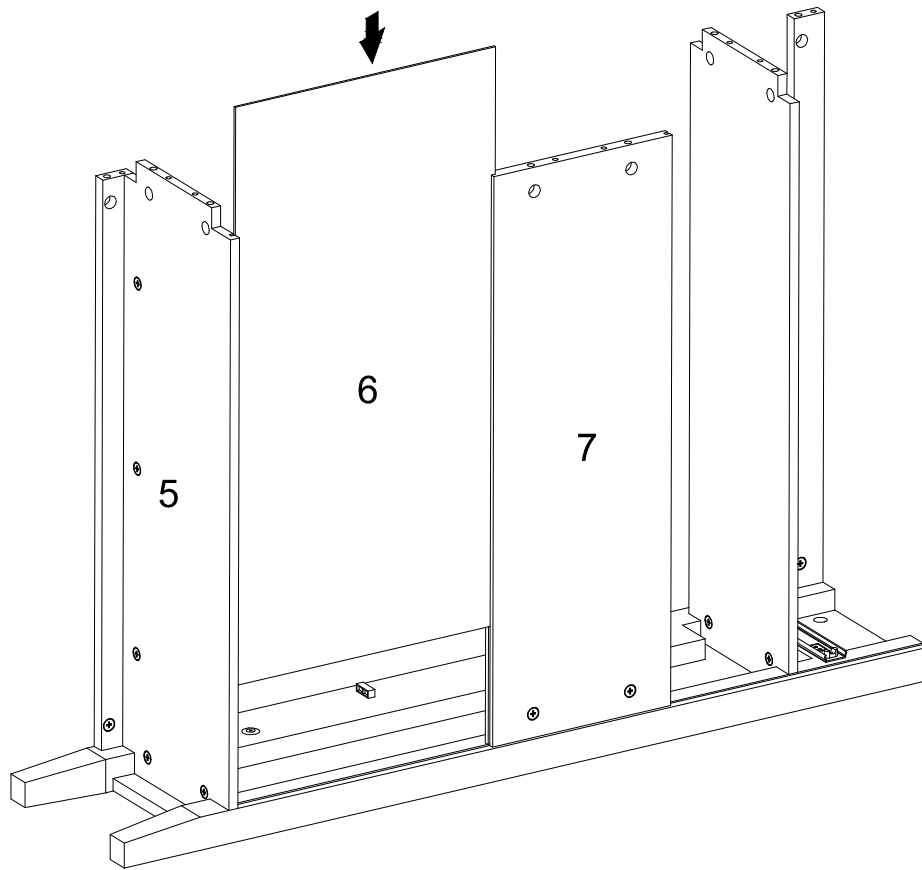


### Step 4: Attach parts (5, 7, 9, 10) to Left Panel (2).

- Ⓑ  8pcs
- Ⓒ  8pcs



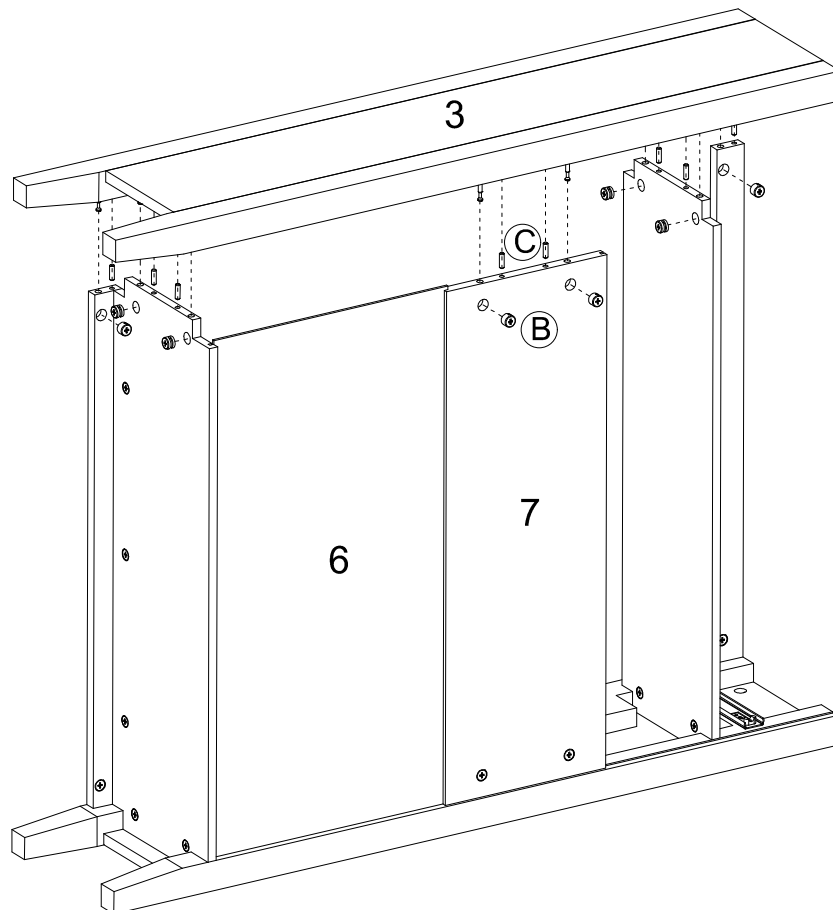
**Step 5:** Attach Bottom Back Panel (6) to the frame.



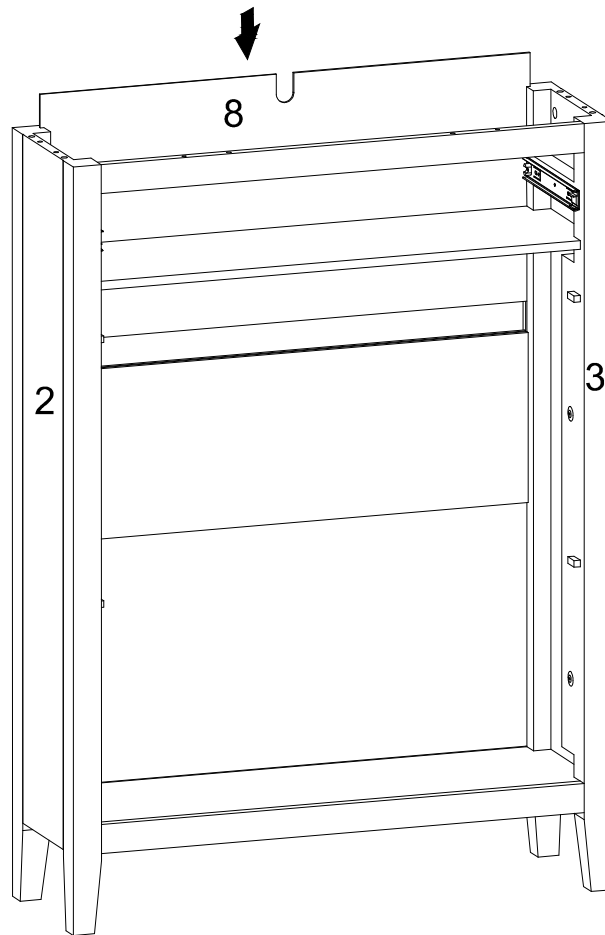
**Step 6:** Attach Right Panel (3) to the frame.

(B)  8pcs


(C)  8pcs



**Step 7:** Insert Upper Back Panel (8) to the frame.

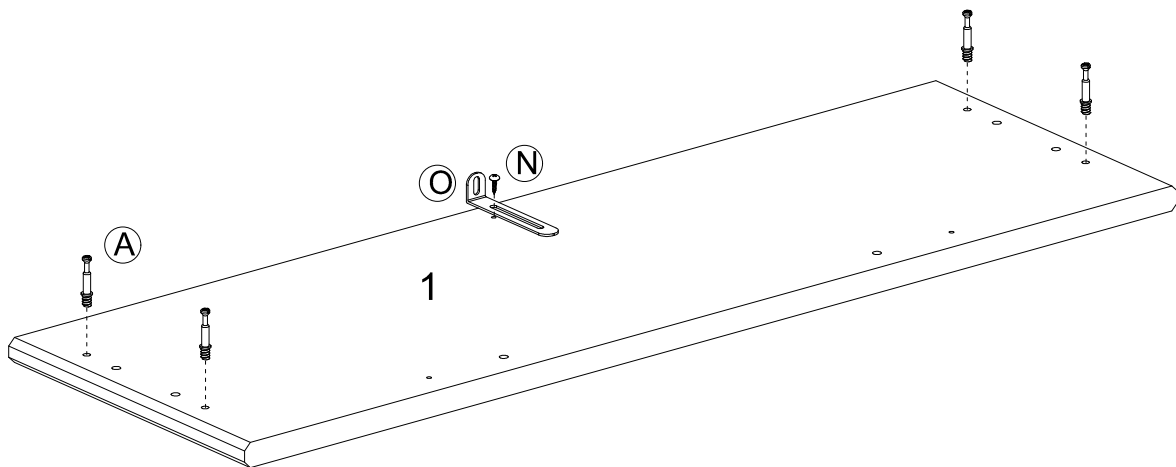


**Step 8:** Attach cam bolts and wall bracket to Top Panel (1).

(A)  4pcs




(N)  1pc

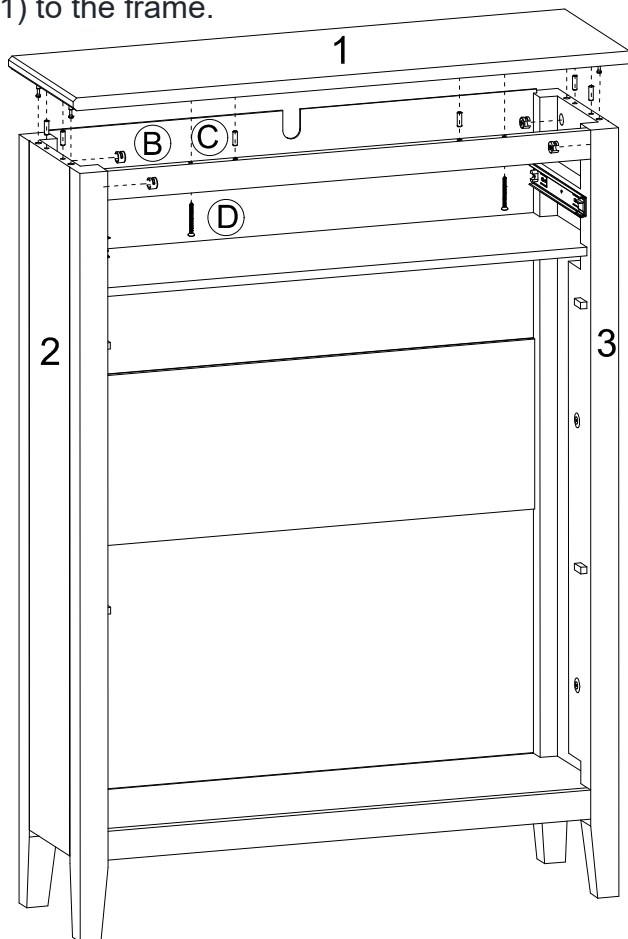
(O)  1pc








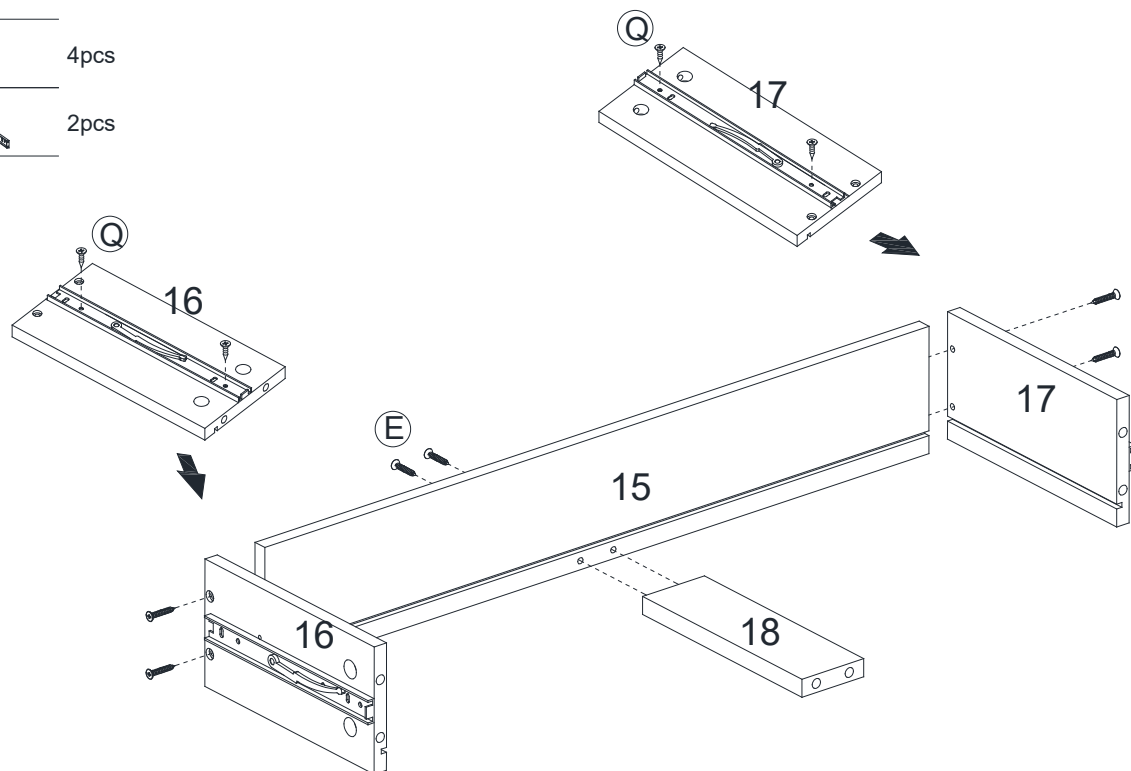
## Step 9: Attach Top Panel (1) to the frame.

- B  4pcs
- C  6pcs
- D  2pcs



## Step 10: Attach slide rail to Top Drawer Side panels (16, 17), then attach the top drawer.

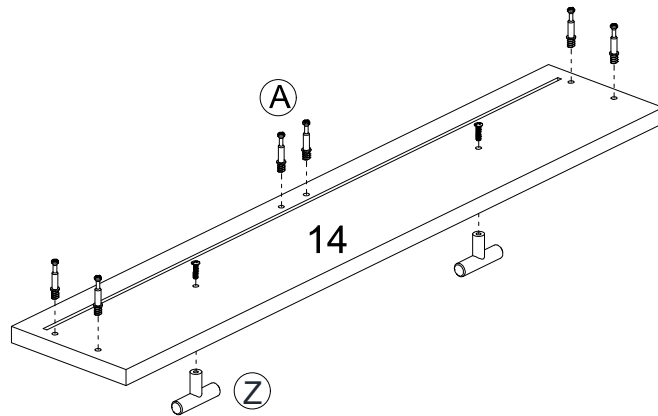
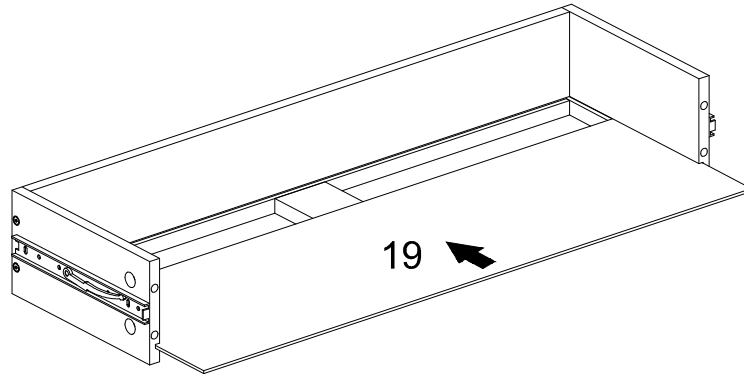
- E  6pcs
- R  4pcs
- Q  2pcs



**Step 11:** Insert Top Drawer Bottom (19) to the frame. Attach cam bolts and handles to Top Drawer Front (14).

Ⓐ  6pcs

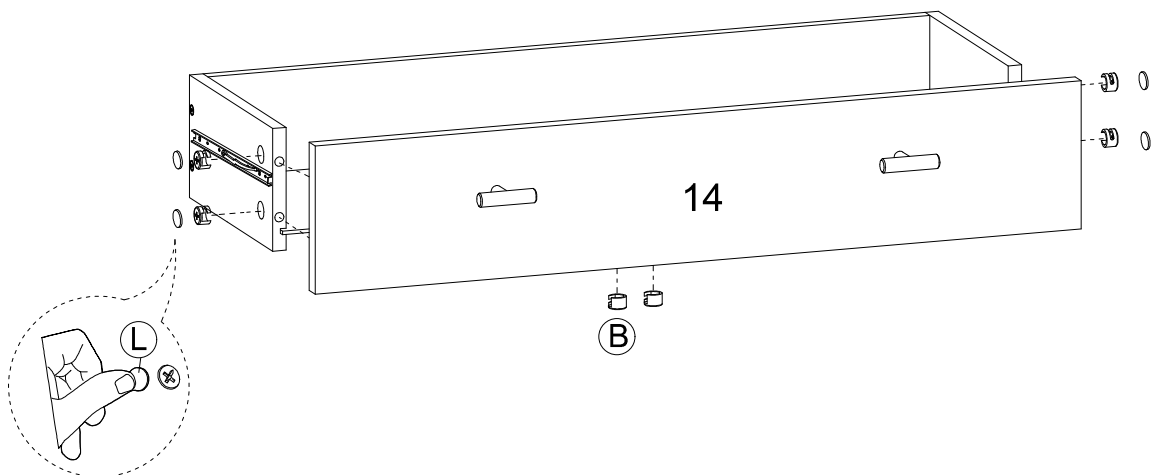
Ⓒ  2pcs



**Step 12:** Attach Top Drawer Front (14) to the frame.

Ⓑ  6pcs

Ⓓ  4pcs

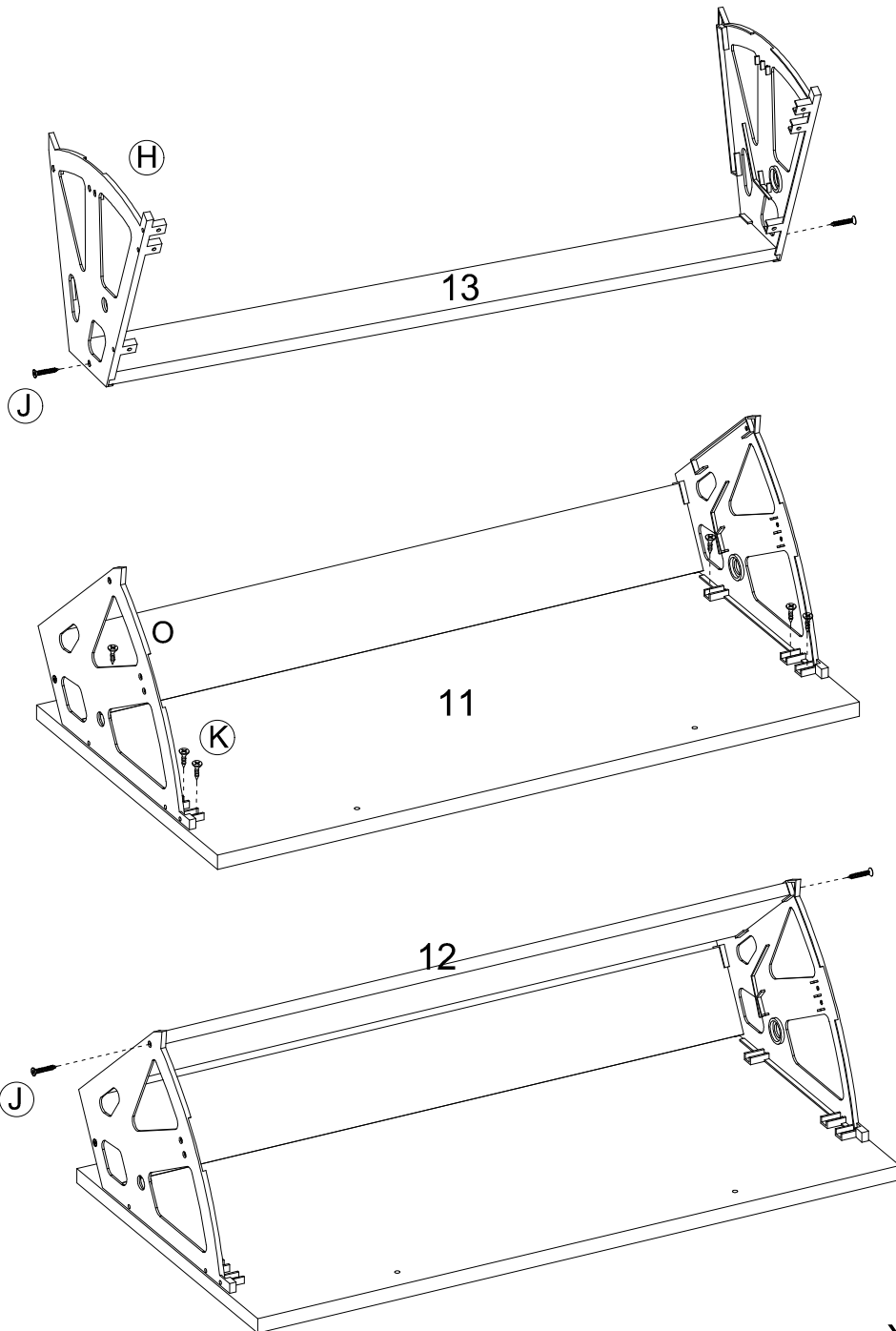


**Step 13:** Attach Flip Drawer Bottom (13), Flip Drawer Front (11), Flip Drawer Back Side (12) to the flip shelves by following below steps.

(H)  2sets

(J)  8pcs

(K)  12pcs



X2



**Step 16:** Attach the plastic buckles . Before securing the plastic buckles, manually adjust the frame to ensure the drawers are properly aligned, even, and parallel.

ⓕ 8pcs

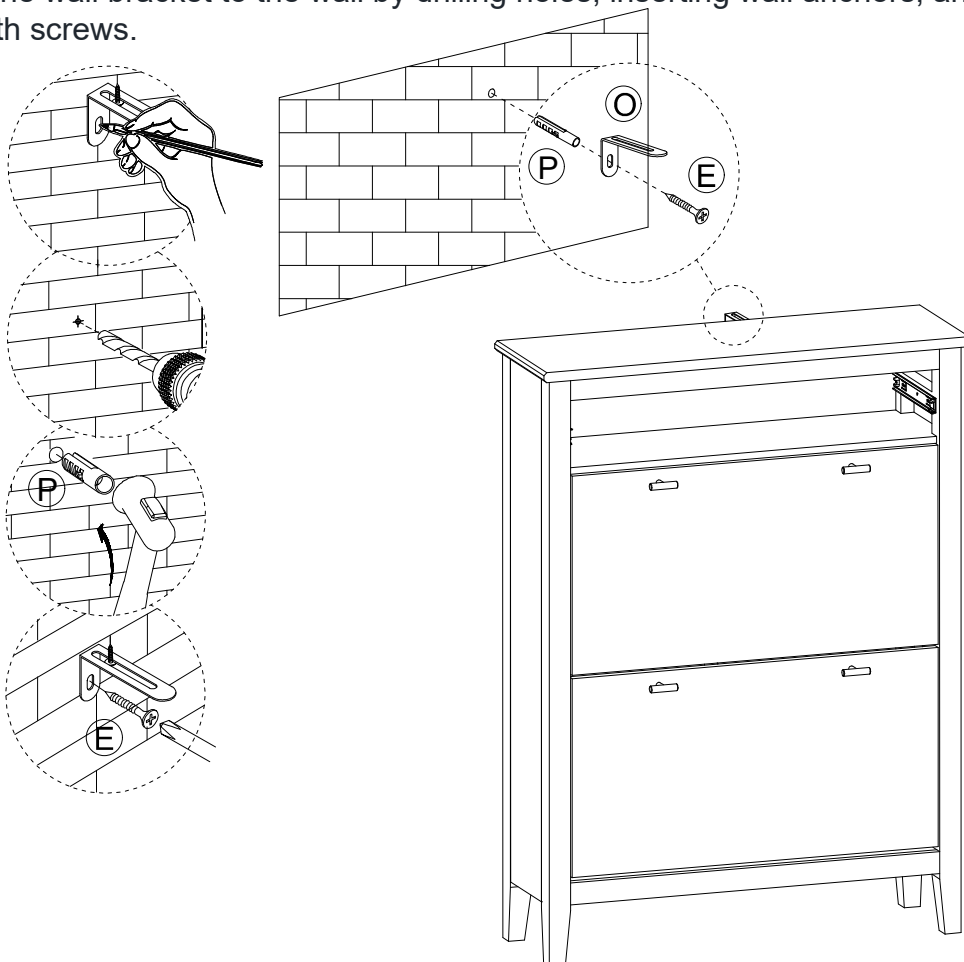
ⓖ 8pcs



**Step 17:** Fix the wall bracket to the wall by drilling holes, inserting wall anchors, and securing it with screws.

ⓔ 1pc

ⓓ 1pc



Step 18: Attach the top drawer to the frame.

