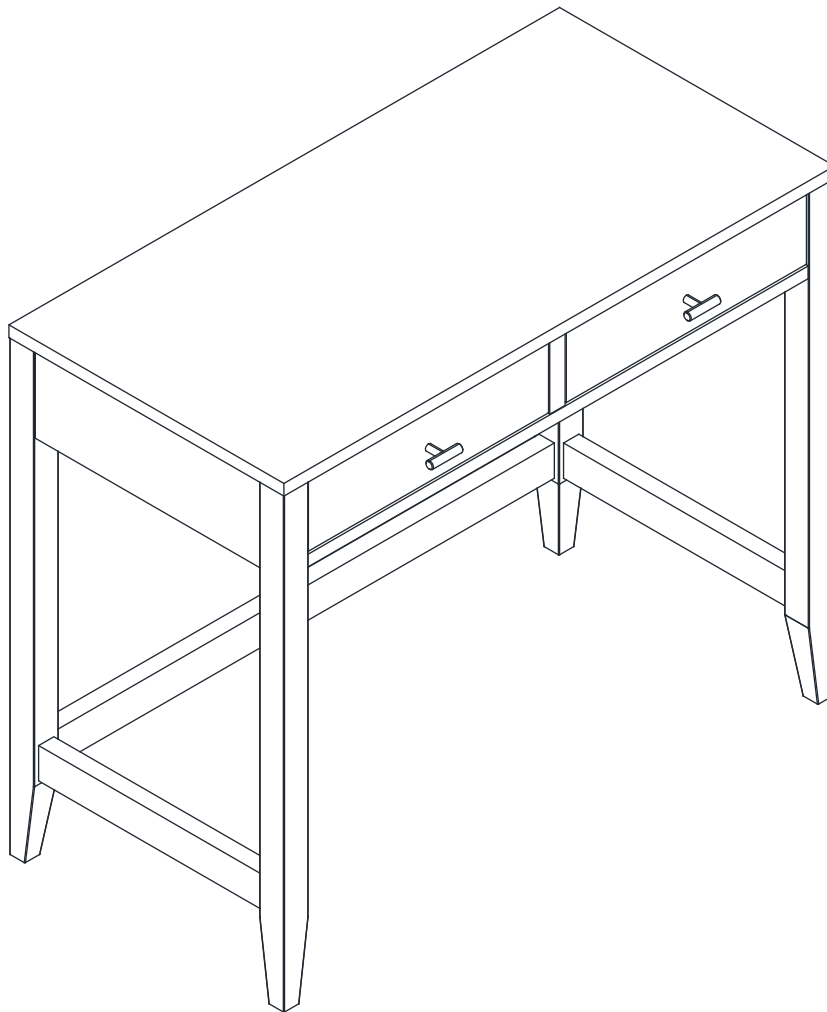


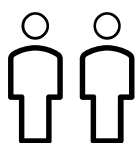
## Console/Dressing



THIS INSTRUCTION BOOKLET CONTAINS IMPORTANT SAFETY INFORMATION.  
PLEASE READ AND KEEP FOR FUTURE REFERENCE.



45 minutes approx  
assembly time



Two adults  
assembly required

# Important

## Assembly Tip

Before you begin, we advise laying everything out on a clean and soft level surface to avoid damaging the unit or your floor. It's best to identify all of the parts and fittings to build your console/dressing, and to familiarise yourself with all of the parts and fittings before building.

## Top Tip

We recommend that you build your new console/dressing in the room you'd like it to be located. This will help prevent any risk of damage to the product whilst moving it.

## Safety and Care

1. It's important to ensure children and animals are kept away from the assembly area, as there are small components used in this console/dressing which could present a choking hazard. All plastic and wrapping materials should also be kept away from children and animals to prevent any risk of suffocation.
2. Do not stand on your product.
3. Always use the item on firm level ground, ensuring all legs remain in contact with the ground.
4. Place heaviest items in the lowest drawers.
5. Do not set TV or other heavy objects on top of the product.
6. Children should always be under supervision whilst using this product. Never allow children to climb on the drawers.
7. Never keep more than one drawer open at the same time.
8. The installation of anti tipping kit to secure your furniture is strongly suggested.
9. Serious or fatal crushing injuries can occur from tipping furniture.

## Help and Support

Please contact our customer service team on 0113 519 0311 if you have any questions or issues with your purchase.

## Recycling

Please ensure that packaging is disposed of in a safe and environmentally friendly way, and recycle where possible. Please keep your assembly instructions safe to refer back to in the future.

# Care and Maintenance

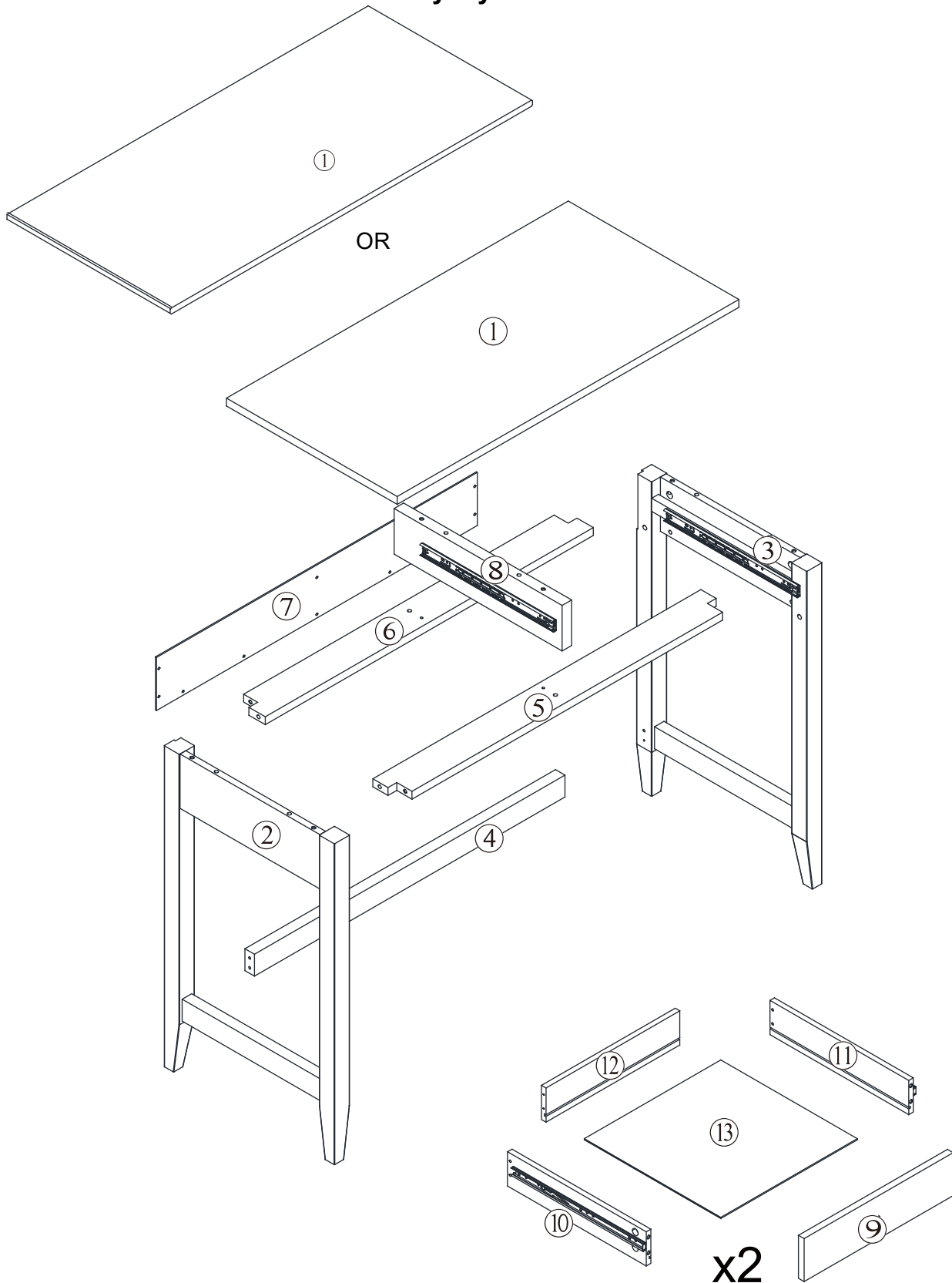
1. Only clean using a damp cloth, do not use bleach or abrasive cleaners as they may damage the finish over time.
3. Do not scrub or rub the surface when cleaning.
2. Do not use a very wet cloth or allow any liquid to contact with the veneer for a long period of time. Wipe any spillage immediately. Absorption can cause wood to warp or finishes to de-laminate.
4. Do not drag the console/dressing when moving, lift it off the floor instead.
5. Use a placemat or a coaster when putting hot items (e.g. hot drinks and dishes) on the wood surface.
6. It is not recommended to place the item next to sources of heat such as radiators, fires or directly exposed to sunlight. This may cause the wood to crack, split or fade due to the change of the humidity and temperature.
7. Wood will mellow and change colour over time, we recommend that ornaments and items placed on the surface to be moved regularly to prevent uneven mellowing.
8. Regularly check all fixings to ensure none have come loose. Re-tighten if necessary.
9. Avoid sharp items such as a screwdriver or any pointy tools.

# Parts checklist

Please check you have all the parts listed below with your product:

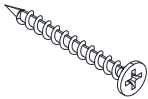
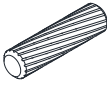
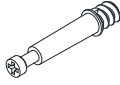


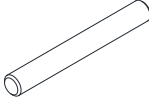
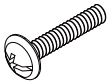

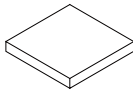
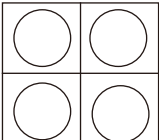


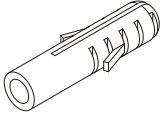
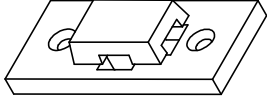
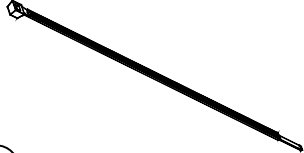
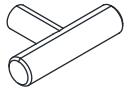



Do not discard any of the packaging until you have checked that you have all the parts and the pack of fixings.

**Note: There are 2 styles of Part 1, both assemble identically so please follow the same instructions for whichever style you have chosen.**

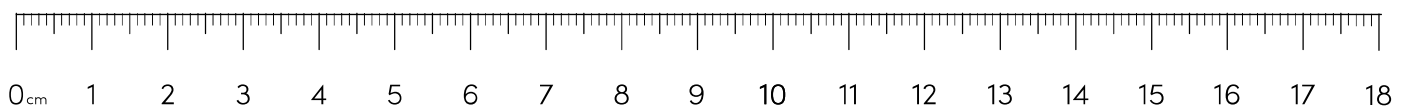


# Fittings checklist

Please check you have all the fittings listed below with your product:

 <b>(A)</b> M4x35mm Screw x12pcs(+1 extra)	 <b>(B)</b> M7.8x30mm Wood dowel x12pcs(+1 extra)	 <b>(C)</b> 36mm Cam bolt x18pcs
 <b>(D)</b> M15x9.5mm Cam x18pcs	 <b>(E)</b> M4x40mm Screw x4pcs	 <b>(F)</b> M5x40mm Pin x2pcs
 <b>(G)</b> Screw M4x20mm or M4x16mm x2pcs	 <b>(H)</b> M3x14mm Screw x10pcs(+1 extra)	 <b>(I)</b> 20x20mm Felt pad x4pcs
 <b>(J)</b> M20 Sticker x8pcs(+1 extra)	 <b>(K)</b> M3x14mm Screw x12pcs(+1 extra)	 <b>(L)</b> Drawer connector x8pcs(+1 extra)
 <b>(M)</b> 30mm Wall Plug x4pcs	 <b>(N)</b> Plastic Bracket x4pcs	 <b>(O)</b> 200mm Nylon Strap x2pcs
<p> <b>(P)</b>          OR                  OR                  OR          </p> <p>         Handle x2pcs      Handle x2pcs      Handle x2pcs      Handle x2pcs          Screw M4x20mm x2pcs    Screw M4x16mm x2pcs    Screw M4x20mm x2pcs    Screw M4x20mm x2pcs       </p> <p><b>Note: We have 4 styles of handle, all assemble identically so please follow the same instructions for all.</b></p>		

## Bolt Length Ruler:

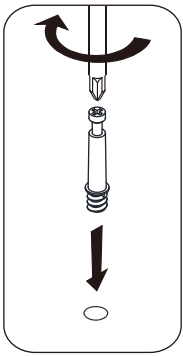
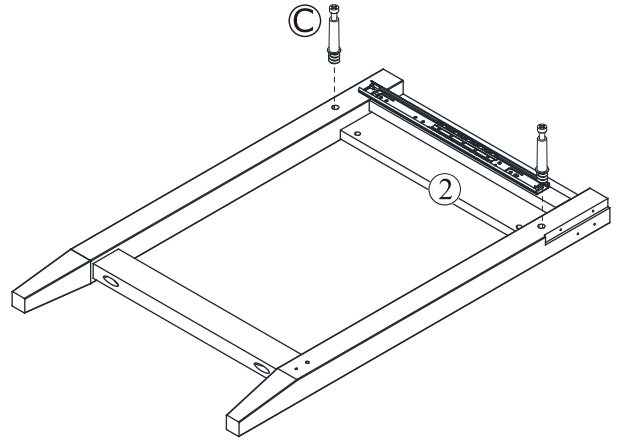
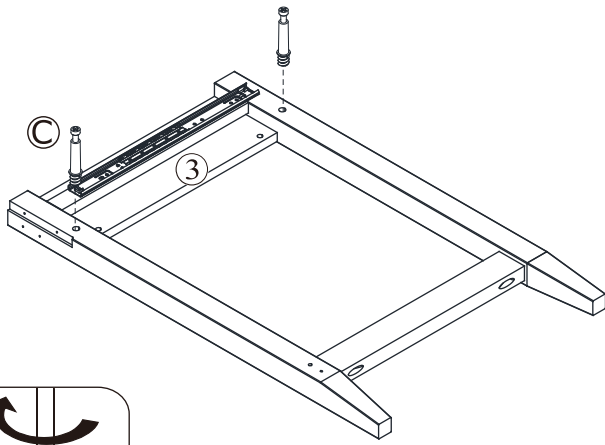


## Tool required




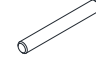


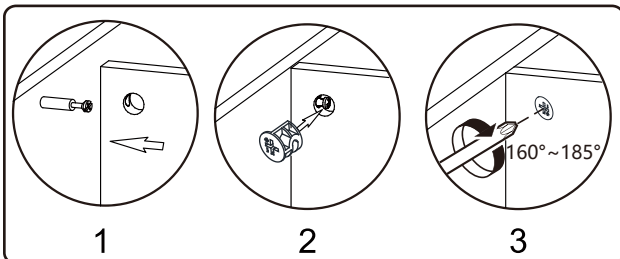
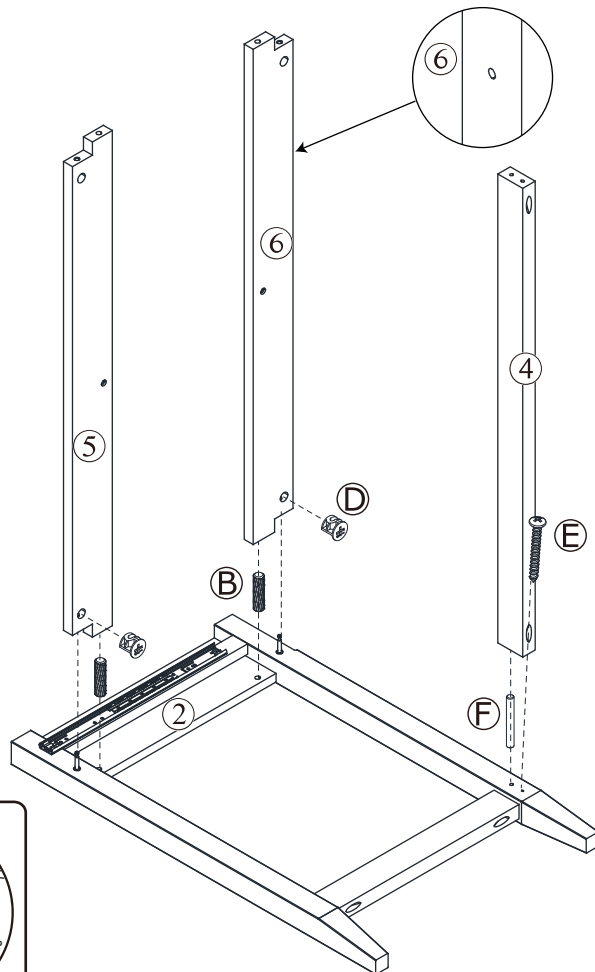
# Step 1:

- Ⓒ  4pcs







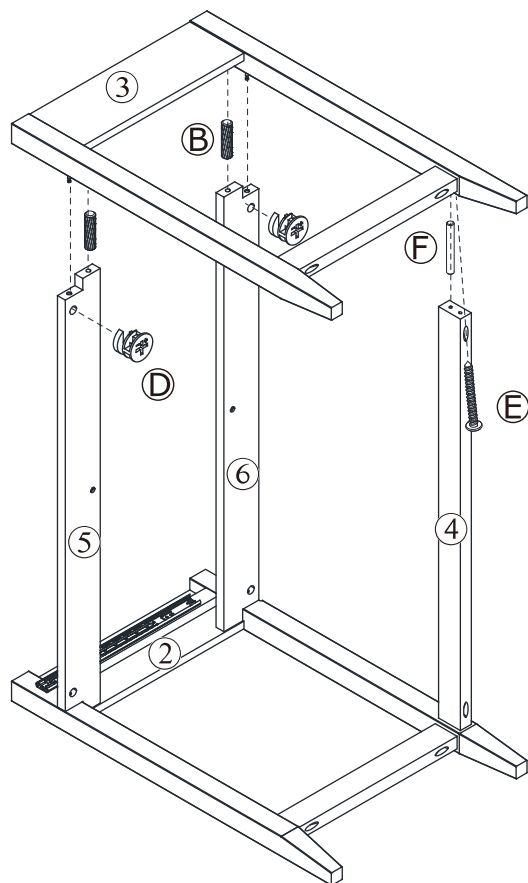
# Step 2:

- Ⓑ  2pcs
- Ⓓ  2pcs
- Ⓔ  1pc
- Ⓕ  1pc





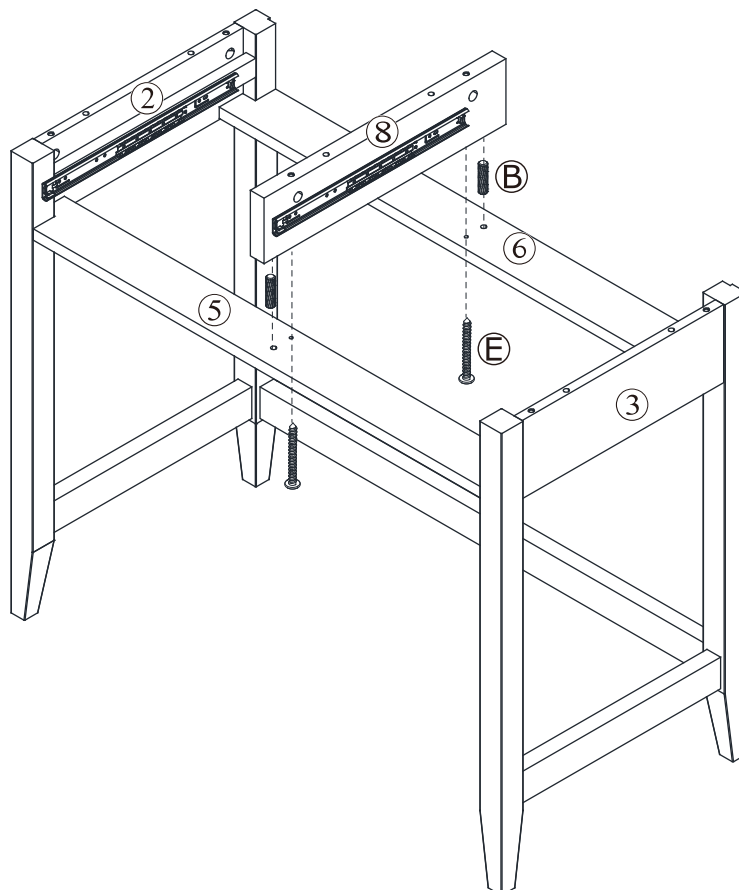
### Step 3:

-  2pcs
-  2pcs
-  1pc
-  1pc

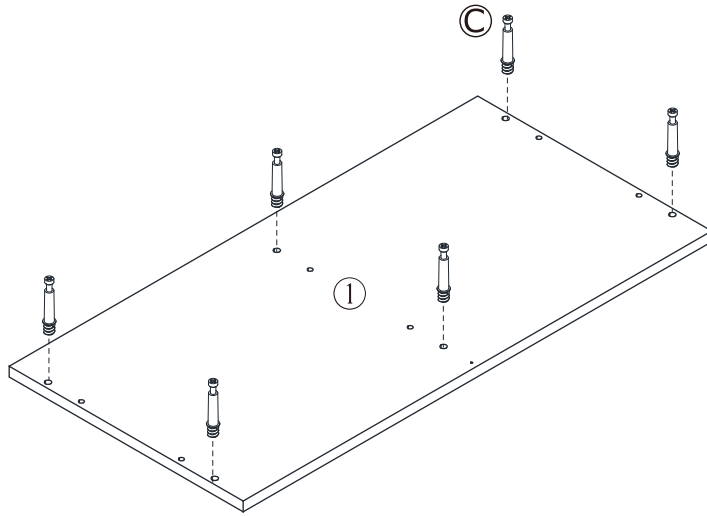


### Step 4:

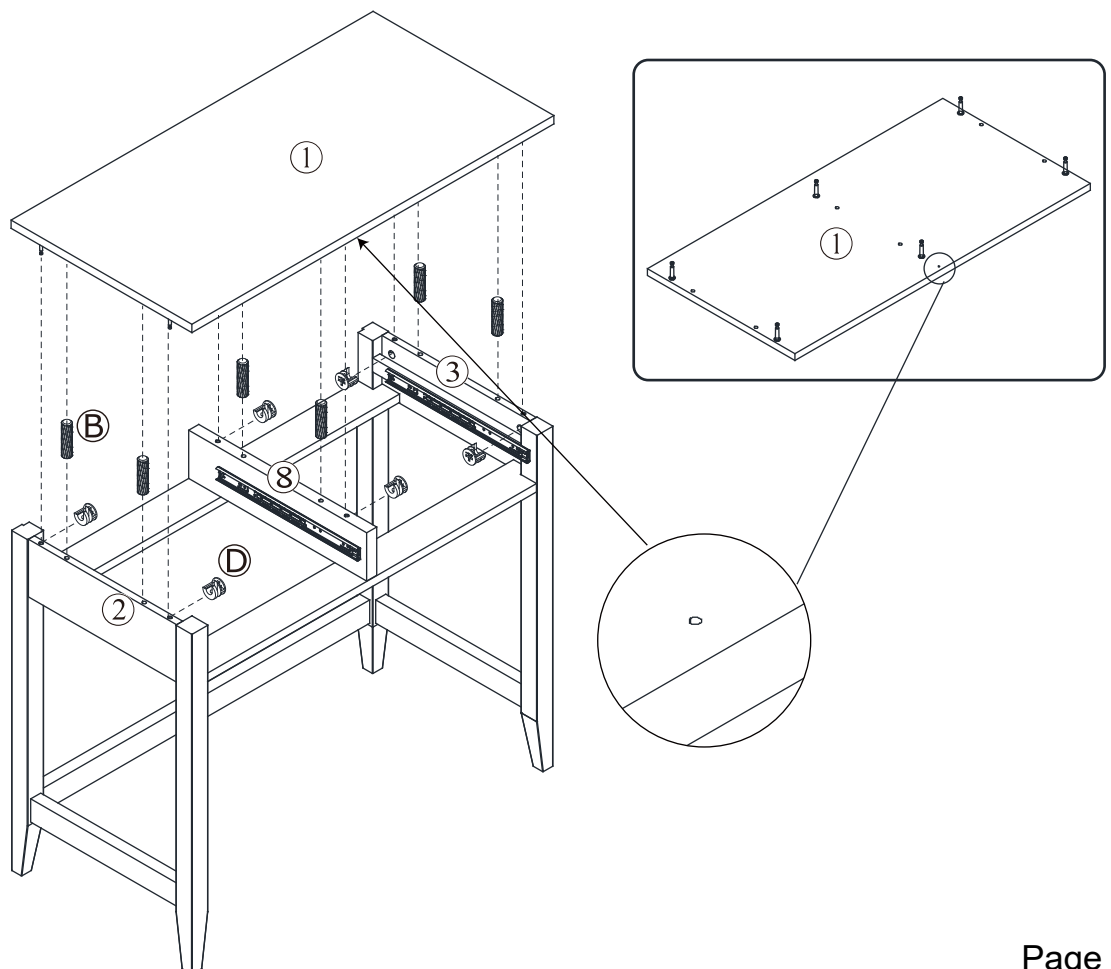
-  2pcs
-  2pcs



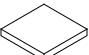

## Step 5:

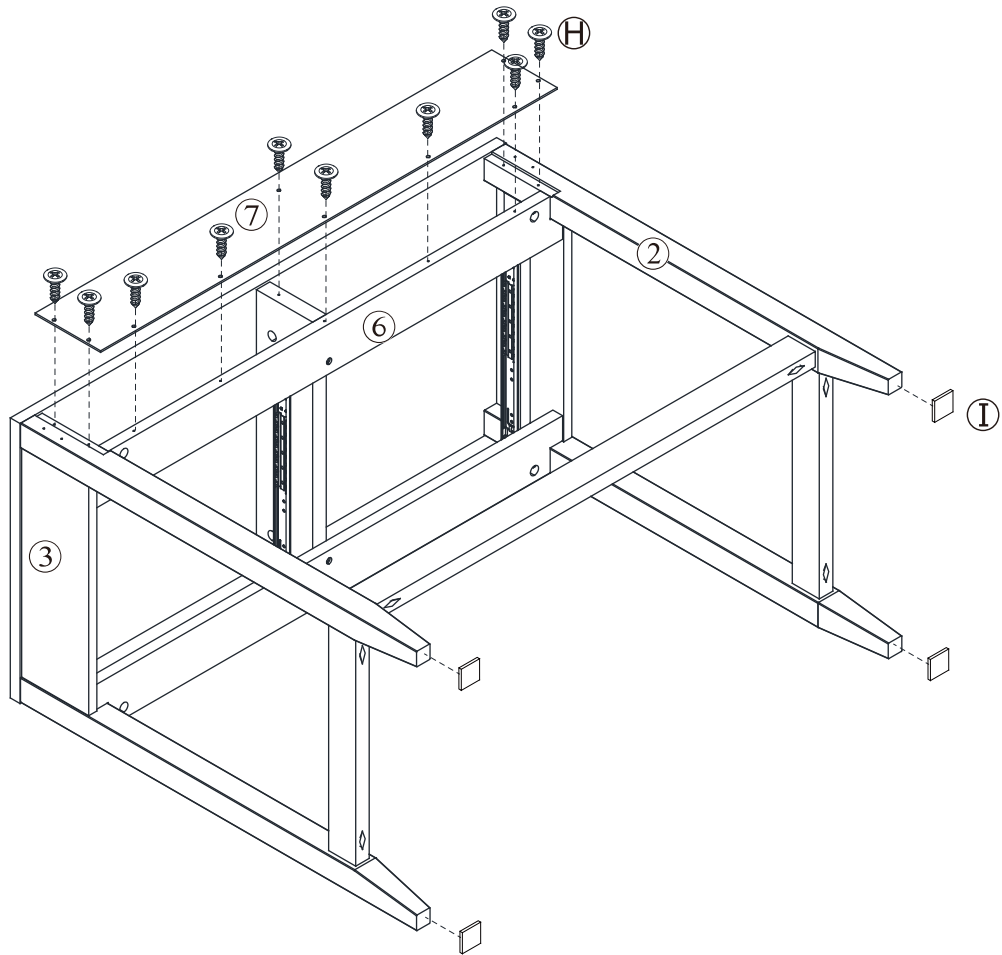


## Step 6:



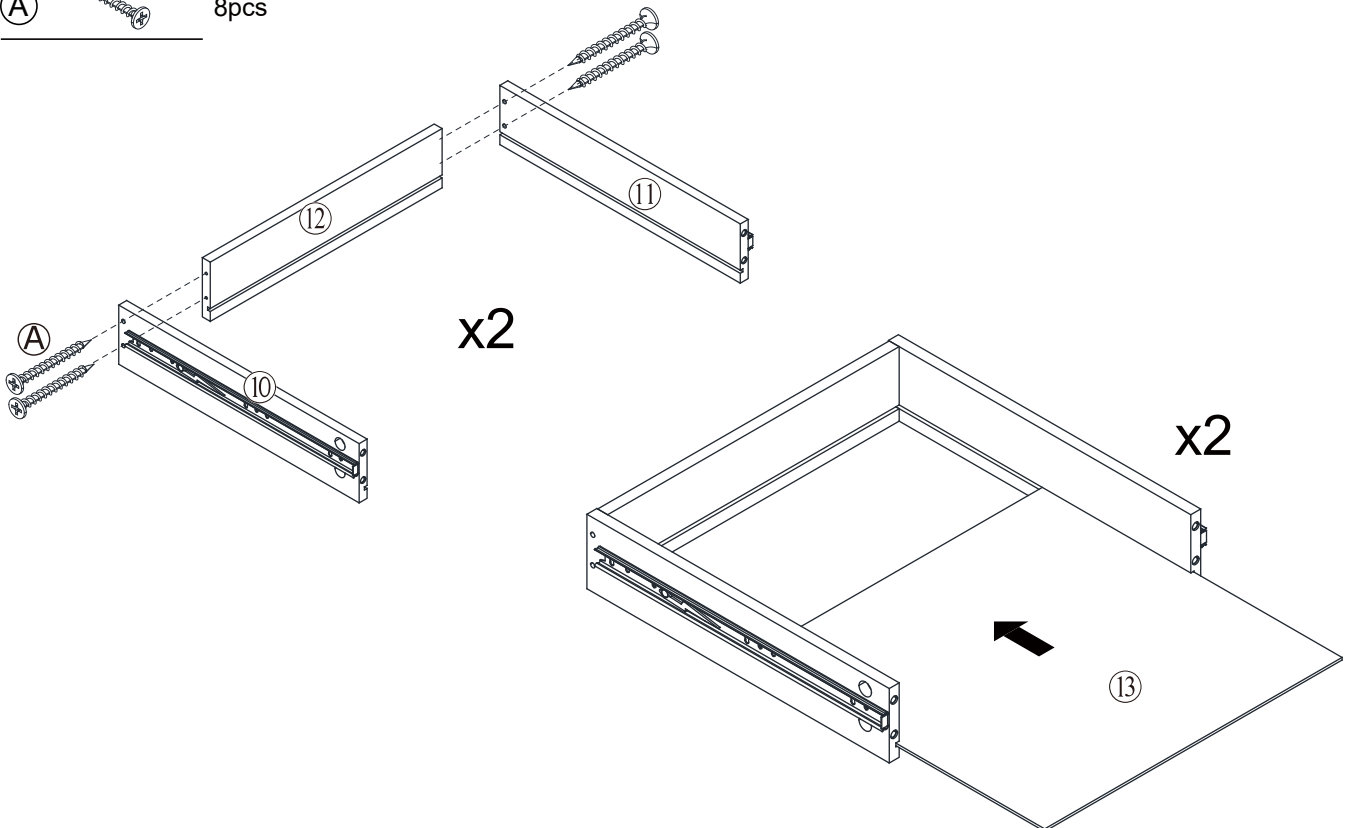
## Step 7:

- ①  4pcs
- ⑨  10pcs






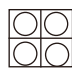
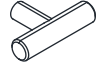
## Step 8:

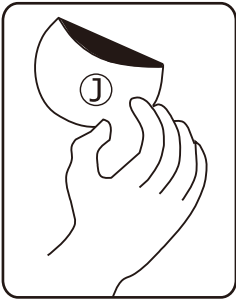
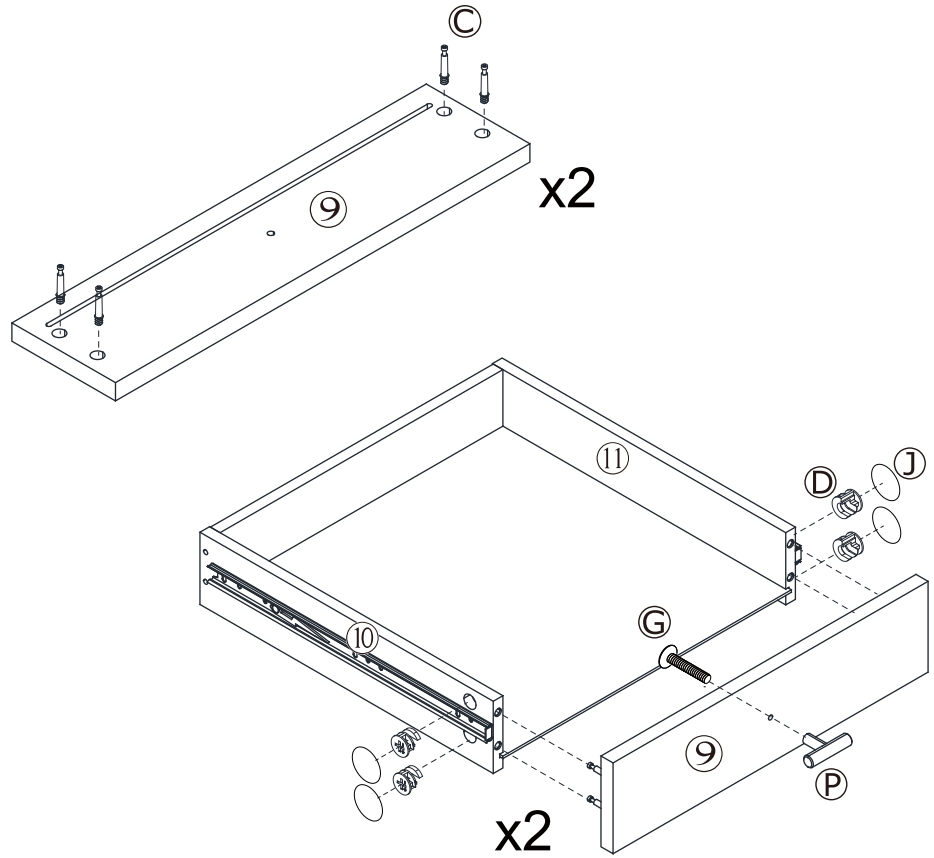
- ⑩  8pcs







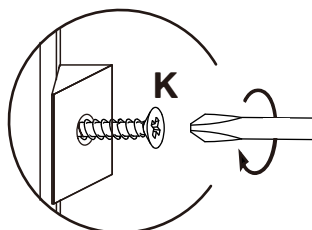
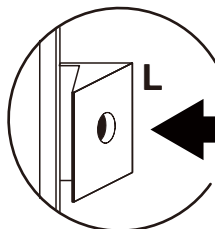
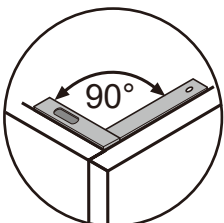
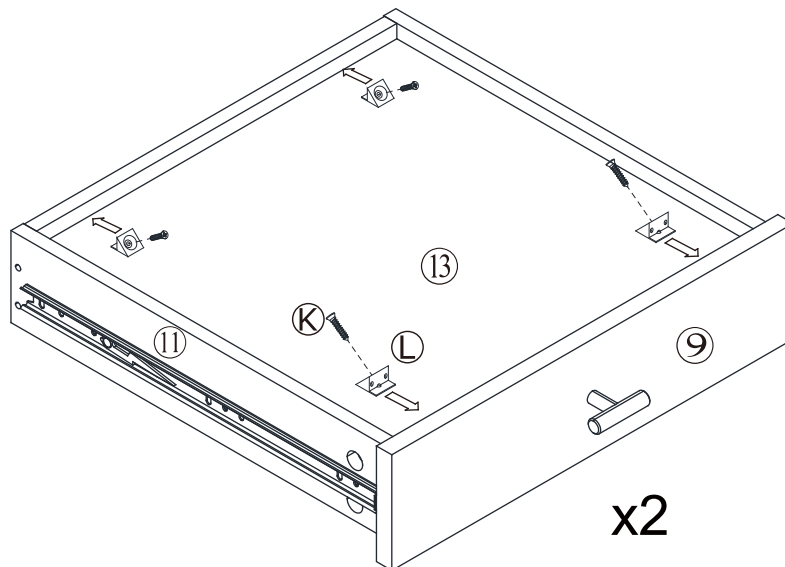
## Step 9:

- (C)**  8pcs
- (D)**  8pcs
- (G)**  2pcs
- (J)**  8pcs
- (P)**  2pcs

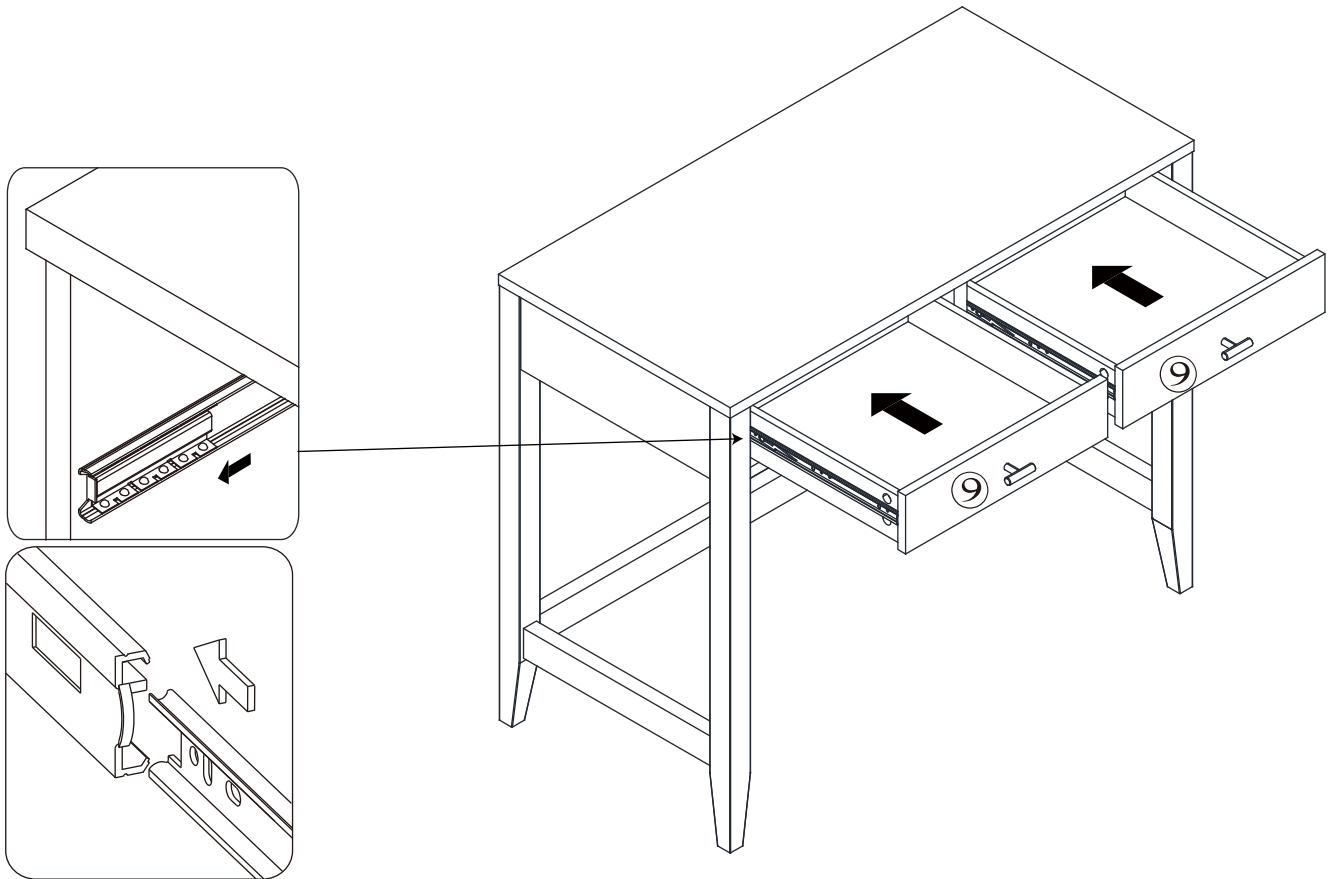


## Step 10:


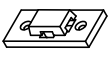
- (K)**  8pcs
- (L)**  8pcs

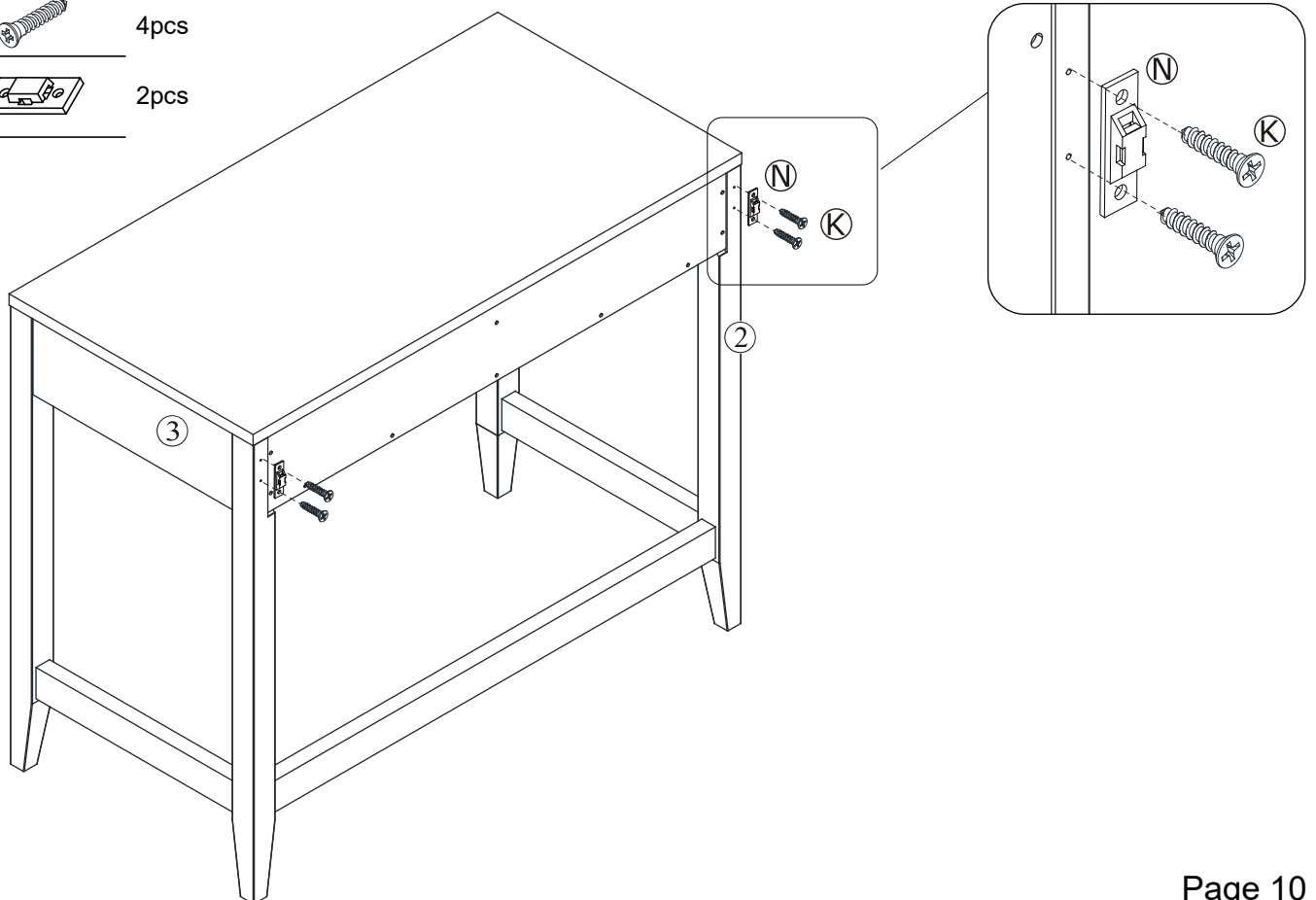


## Step 11:

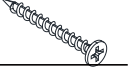
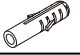




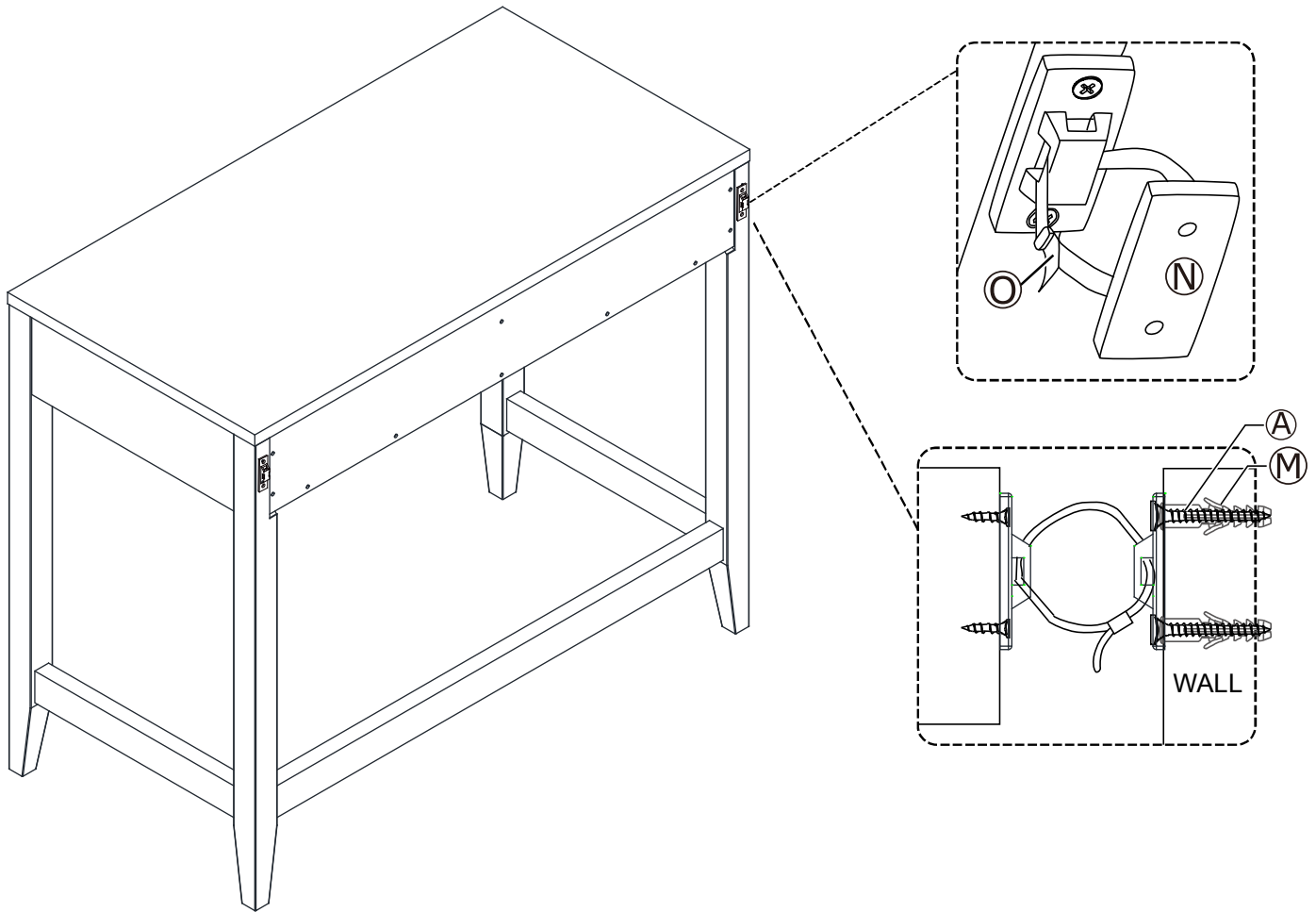
## Step 12:

- (K)  4pcs
- (N)  2pcs



## Step 13:

-  (A) 4pcs
-  (M) 4pcs
-  (N) 2pcs
-  (O) 2pcs



Before applying the bracket to the wall, check pipes and cables that may be hidden behind.

**WARNING:** Manufacturer assumes no liability for improper installation or excessive loads placed on screws or bracket. This wall anchor is not a substitute for proper adult supervision.