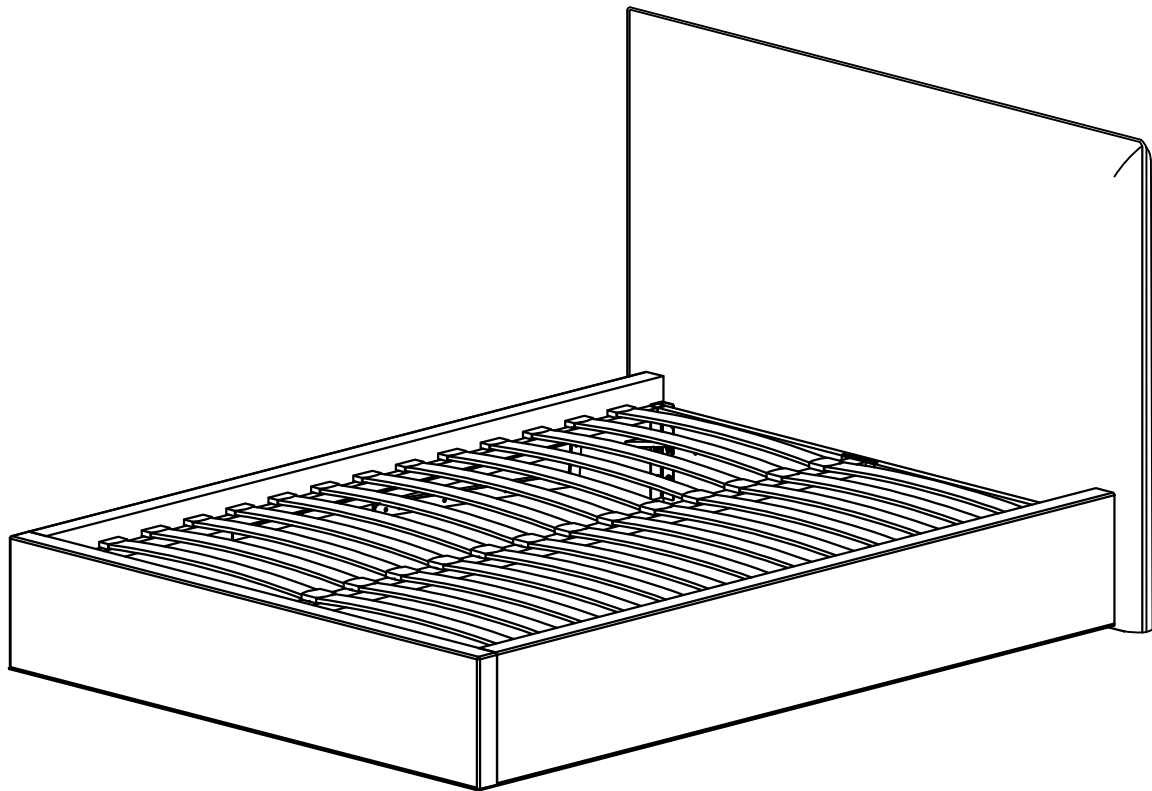


DUSK.COM

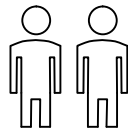
LIVING | BEDROOM | DINING

Box Dimensions:
Double bed: box 1: L168 x W121x H12. box 2: L197x W33.5x H18(cm)
King bed: box 1: L181 x W121x H12. box 2: L207x W33.5x H18(cm)

Oslo Ottoman Bed Frame Double/ King



Up to 2 hour approx
assembly time



Two person
assembly

V1.0

Page 1

Important

Assembly Tip

Before you begin, it's best to identify all of the parts and fittings to build your ottoman bed frame. We advise laying these out on the floor to check you have everything, and to familiarise yourself with all of the parts and fittings before building.

Top Tip

We recommend that you build your new ottoman bed frame in the room you'd like it to be located. This will help prevent any risk of damage to the frame whilst moving it.

Safety and Care

It's important to ensure children and animals are kept away from the assembly area, as there are small components used in this bed frame which could present a choking hazard. All plastic and wrapping materials should also be kept away from children and animals to prevent any risk of suffocation.

Help and Support

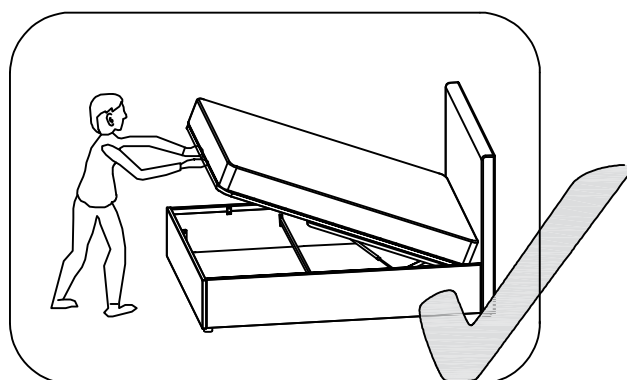
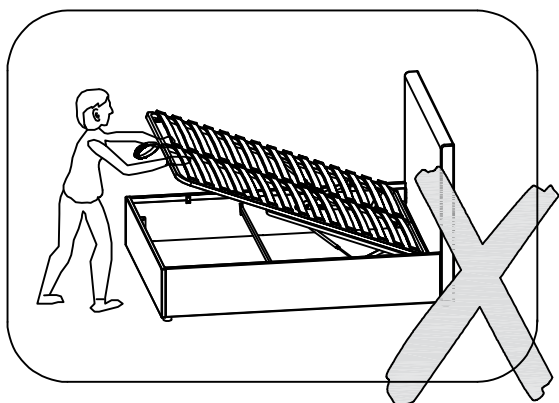
Please contact our customer service team on 0113 519 0311 if you have any questions or issues with your purchase.

Recycling

Please ensure that packaging is disposed of in a safe and environmentally friendly way, and recycle where possible. Please keep your assembly instructions safe to refer back to in the future.

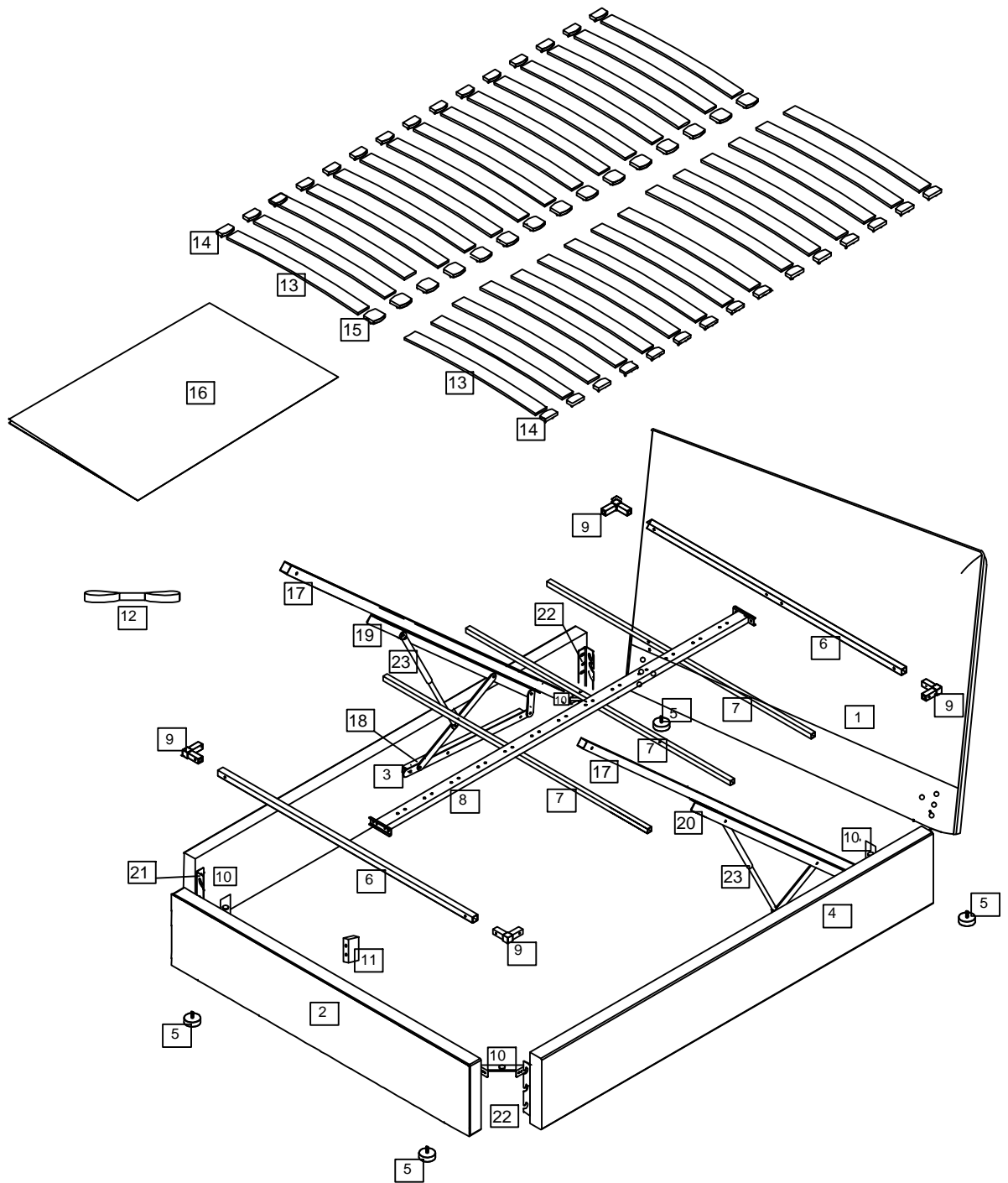
Operating Your Ottoman Bed Frame Safely

- Caution, this ottoman bed frame uses a pressurised mechanism.
- Please ensure children and animals are kept away from the ottoman bed frame when operating the mechanism.
- Use caution when operating, and always use two hands at arm's length.
- You must always ensure the mattress is on the ottoman bed frame before lifting the mechanism. Failure to do so may result in injury or damage to the mechanism.
- If removing the mattress, make sure the ottoman bed frame is secured as it could flip open.
- Only use the storage compartment when the ottoman bed frame is fully in the upright position.
- Do not remain on the ottoman bed frame whilst the lifting mechanism is in use.
- Beware of entrapment. Keep both hands clear of the mechanism when operating.
- When lifting the ottoman bed frame, remove all bedding except the fitted sheet. Always use the strap to lift or lower the ottoman metal frame. Close the ottoman metal frame by pushing down firmly with both hands towards the centre of the bed frame with equal pressure.
- No children or animals should be left unattended when the ottoman bed frame is in the upright position.
- When fully assembled, raise and lower the ottoman metal frame 4/5 times to ensure the gas pistons are fully lubricated.
- Ensure to re-tighten all nuts and bolts within the ottoman bed frame after the first two weeks of use.



Parts

Before you begin building your ottoman bed frame, please take a moment to read through the instructions and make sure that you have all the relevant parts listed on the parts check list.



Parts Check List

No.	Parts List	Qty	Box No
1	Headboard	1pc	Box 1
2	Footboard	1pc	Box 1
3	Side Rail with Lift Mechanism - LH	1pc	Box 2
4	Side Rail with Lift Mechanism - RH	1pc	Box 2
5	Adjustable leg	4pcs	Box 1
6	Front/Rear Ottoman Metal Frame	2pcs	Box 1
7	Horizontal Support Rail	3pcs	Box 1
8	Central Support Rail	1pcs	Box 2











No.	Parts List	Qty	Box No
9	Plastic Corner Bracket	4pcs	Box 1
10	Angle Corner Bracket	4pcs	Box 1
11	Holding Block	1pcs	Box 1
12	Strap	1pc	Box 1
13	Slat	26/30pcs	Box 1
14	Side Slat Cap Double/king	26/30pcs+1pc extra	Box 1
15	Centre Slat Cap Double/ king	13/15pcs+1pc extra	Box 1
16	Fabric Base	1pc	Box 1

Pre-assembled Parts Check List






17	Side Support Rail	2pcs	Box 2
18	Side Metal Rail	2pcs	Box 2
19	Lift Mechanism - LH	1pc	Box 2
20	Lift Mechanism - RH	1pc	Box 2

21	Angle Iron Bracket -LH	2pcs	Box 2
22	Angle Iron Bracket -RH	2pcs	Box 2
23	Piston	2pcs	Box 2

Please check you have all the fittings listed below with your product Box 1

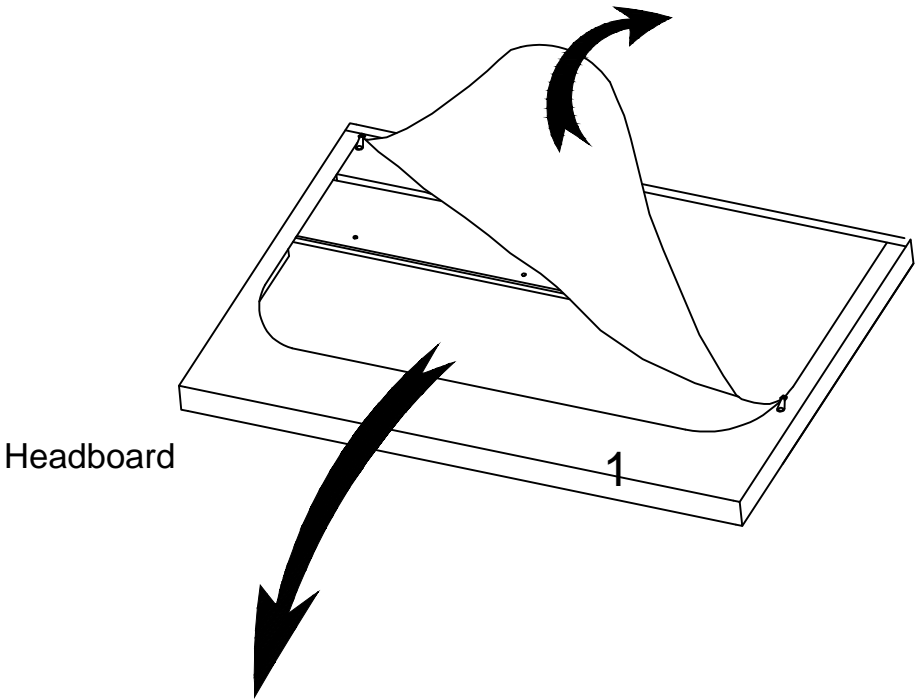
 A M8 40mm Bolt 12pcs+1 extra	 B M6 80mm Bolt 2pcs	 C M6 30mm Bolt 6pcs	 D M6 25mm Bolt 12pcs+1 extra
 E M8 Nut 2pcs	 F Spring Washer 12pcs+1 extra	 G M8 Flat Washer 12pcs+1 extra	 H M5 Allen Key 1pc
 I M4 Allen Key 1pc	 J Spanner 1pc		

Pre-assembled Fittings





 E M8 Nut 2pcs	 G M8 Flat Washer 12pcs	
 D M8 25mm Bolt 12pcs	 L M8 60mm Bolt 6pcs	 U M6 15mm Bolt 4pcs

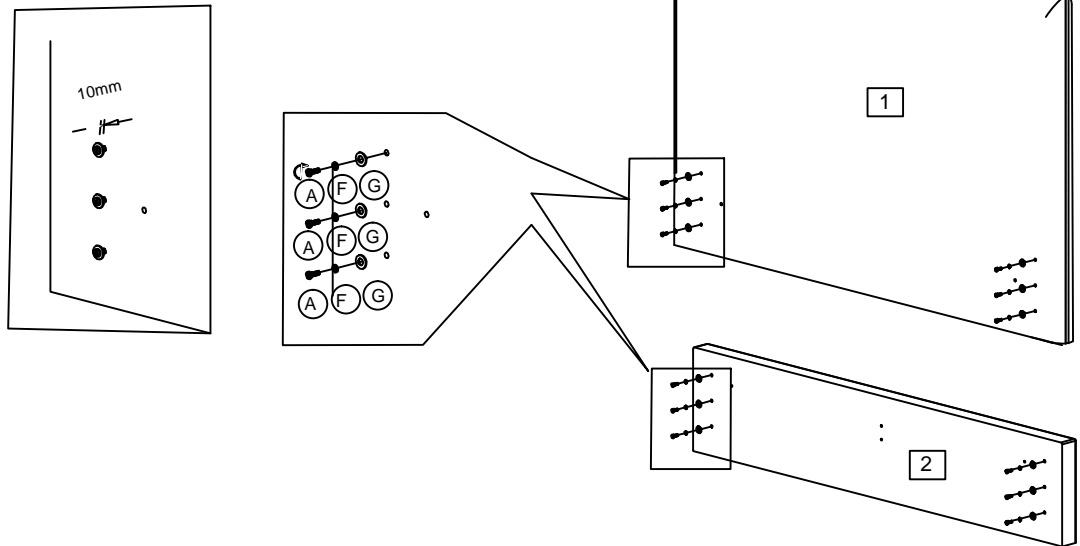
NB: there are additional spare Fittings included within the Fitting pack

Step 1: All parts in Box 1 are stored in the headboard, please open the zipper behind the headboard and take out the parts.



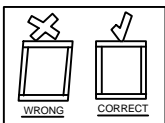
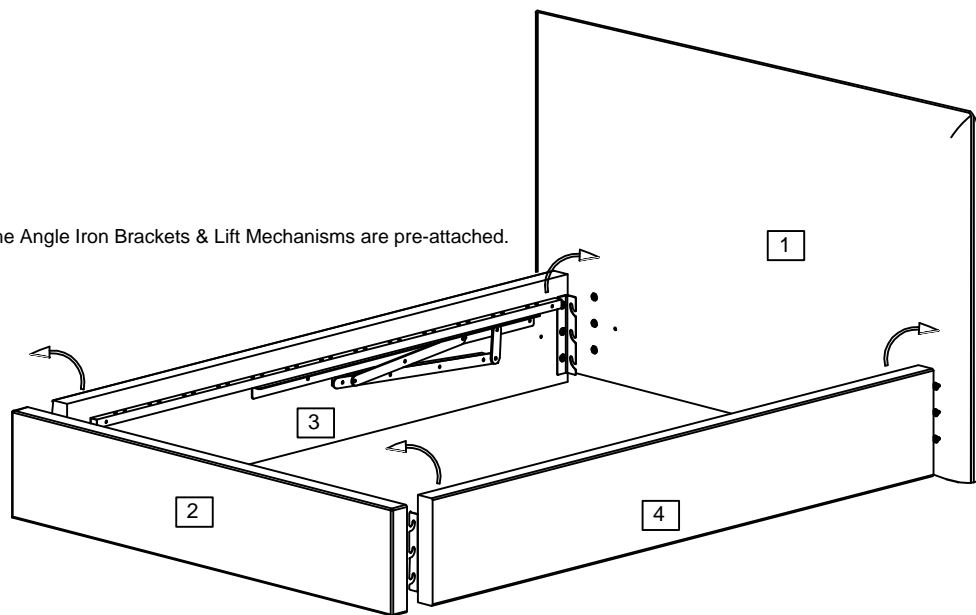
Step 2: Attaching the Bolts to the Headboard & Footboard

-  12pcs
-  12pcs
-  12pcs
-  1pc



Step 3: Attaching the Left & Right Side Rails to the Headboard & Footboard

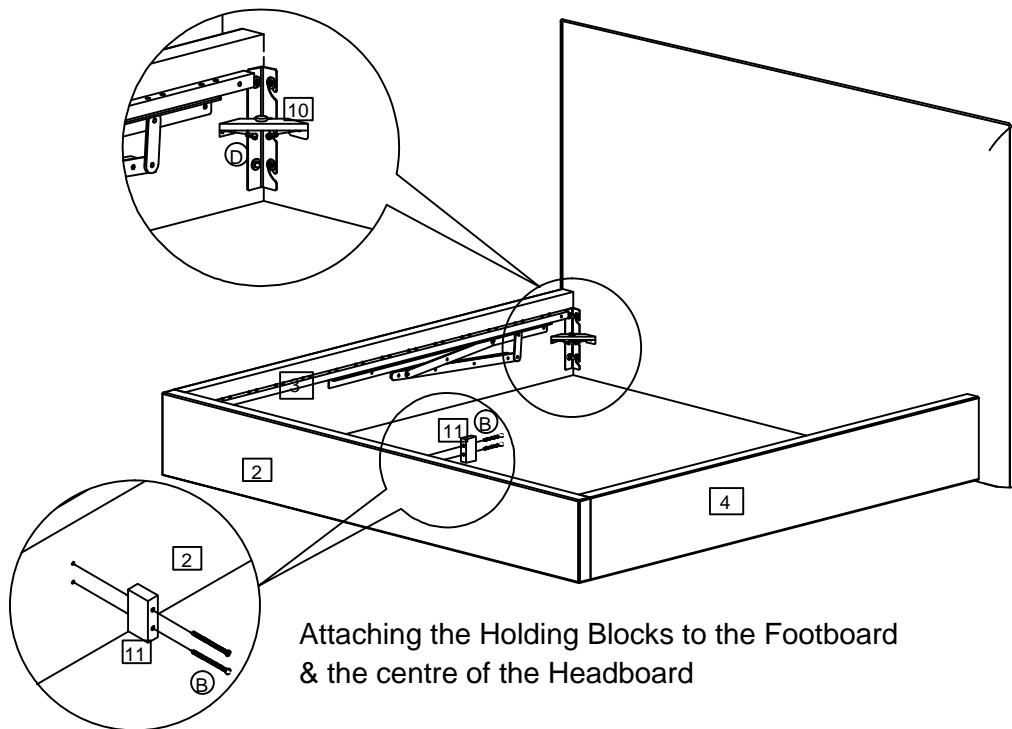
NB: The Angle Iron Brackets & Lift Mechanisms are pre-attached.



NB: Before tightening the bolts, please ensure the bed frame is square

Step 4: Attaching the Side Rails to the Headboard & Footboard using the Angle Corner Brackets

- Ⓟ 2 pcs
- Ⓣ 8 pcs
- Ⓛ 1 pc

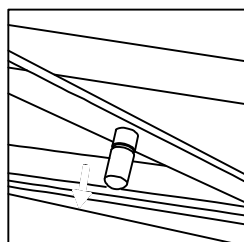


Attaching the Holding Blocks to the Footboard & the centre of the Headboard

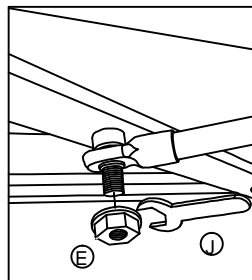
Step 5: Securing the Left & Right Side Rails to the Lifting Mechanism

- Ⓧ 2 pcs
- Ⓛ 1 pc

a:



b:



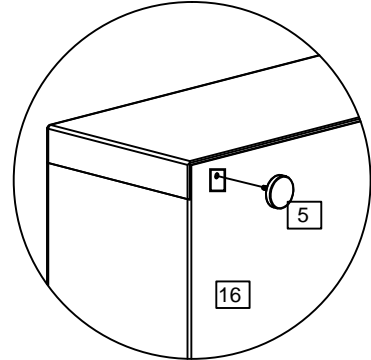
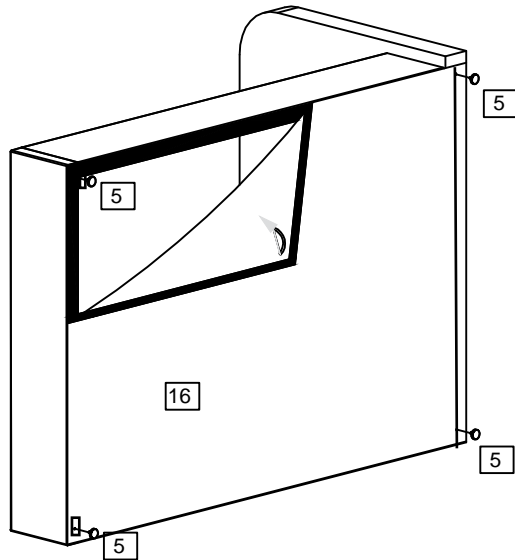
NB: Do not over tighten the Nuts.



Note: Please twist the tip of piston to a correct position if unable to connect to the bolt.

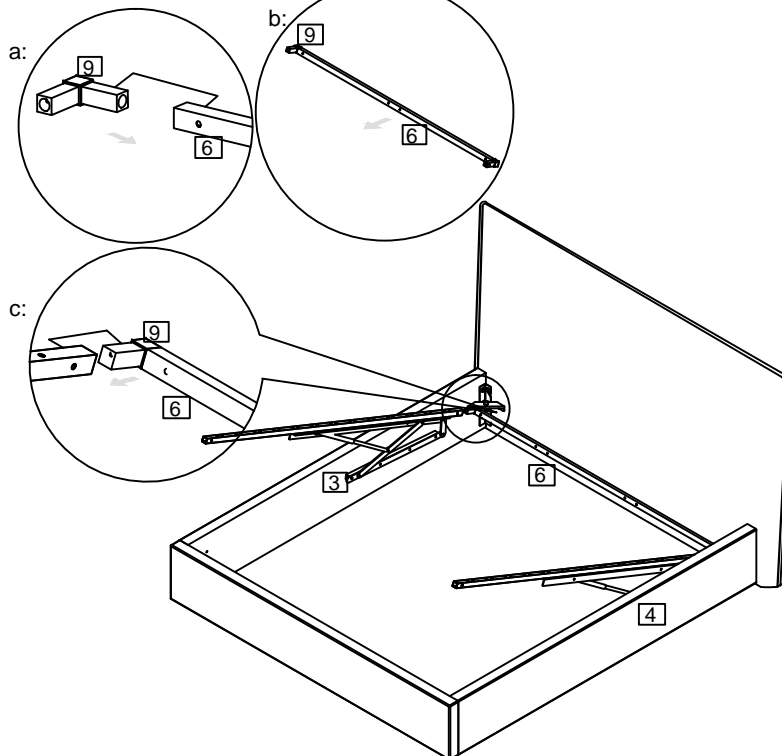
Leave the ottoman bed frame in an elevated position.

Step 6: Attaching the Fabric Base & Legs



Fit the fabric base along the velcro on the base of bed frame. Make sure the side of the fabric base with 2 holes is attached to the footboard and attach the legs through the 2 holes to the footboard.

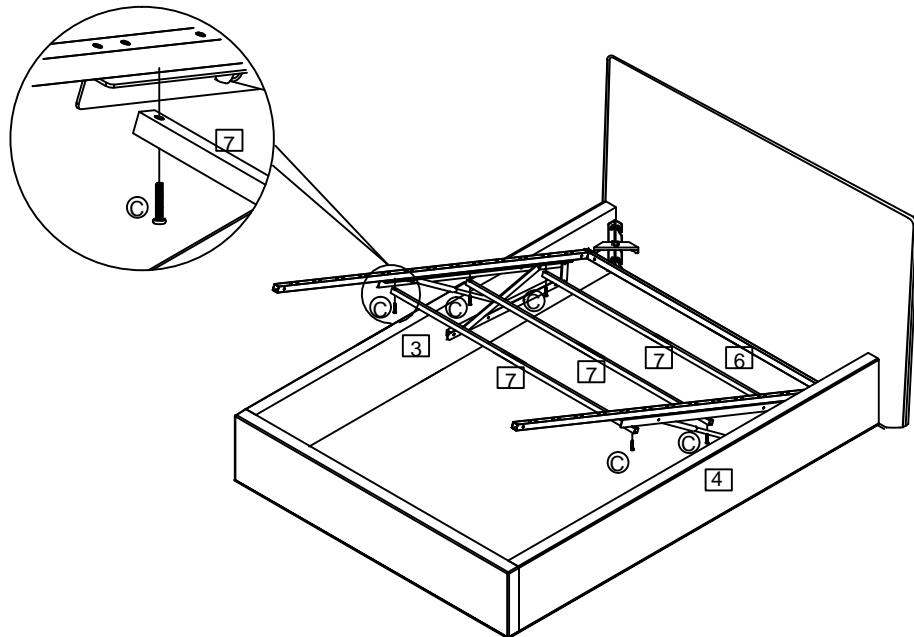
Step 7: Attaching the Rear Ottoman Metal Frame to the Side Rails



Attach the Rear Ottoman Metal Frame (6) to the left and right hand Side Rails with the Plastic Brackets (9).

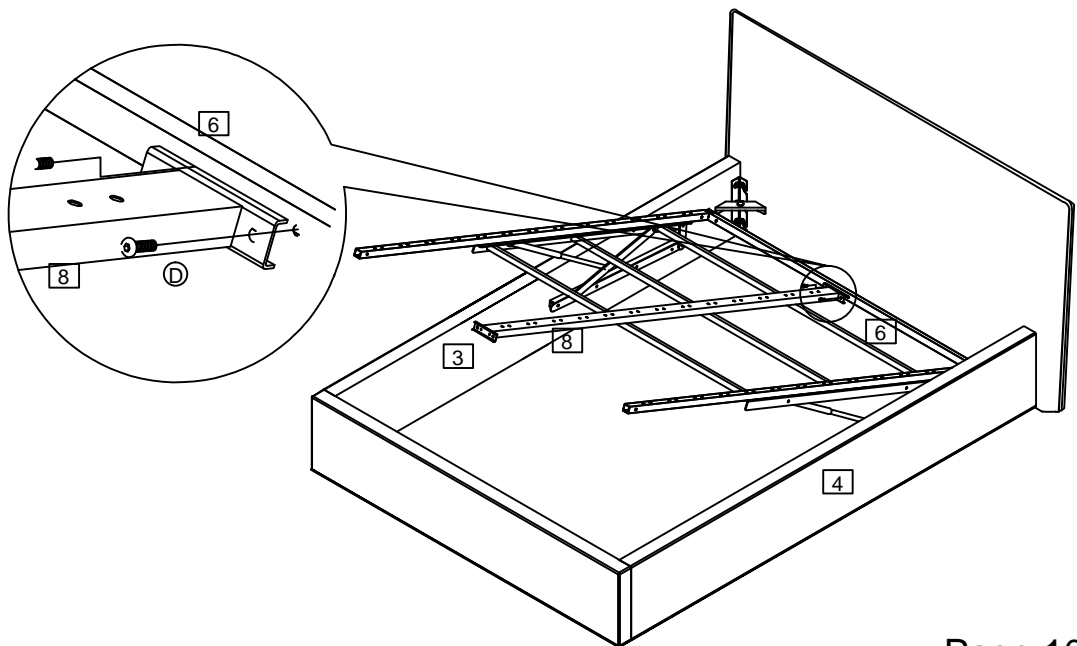
Step 8: Attaching the Horizontal Support Rails to the Left & Right Side Rails

- ⓐ 6 pcs
- ⓑ 1 pc


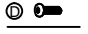
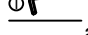


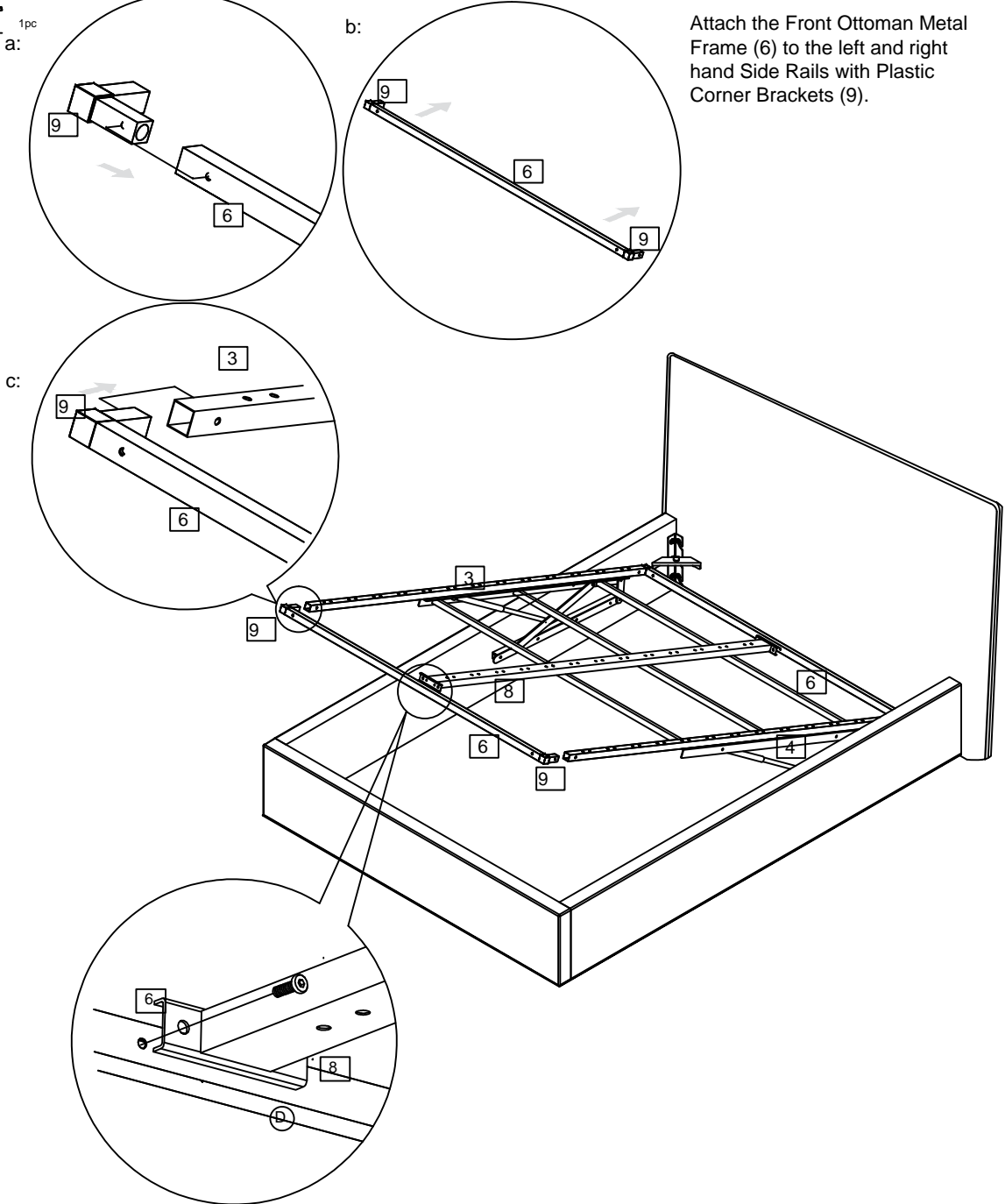
Step 9: Attaching the Centre Support Rail to the Rear Ottoman Metal Frame

- ⓐ 2 pcs
- ⓑ 1 pc





Step 10: Attaching the Central Support Rail & Side Rails to the Front Ottoman Metal Frame

-  2pcs
-  2pcs
-  1pc



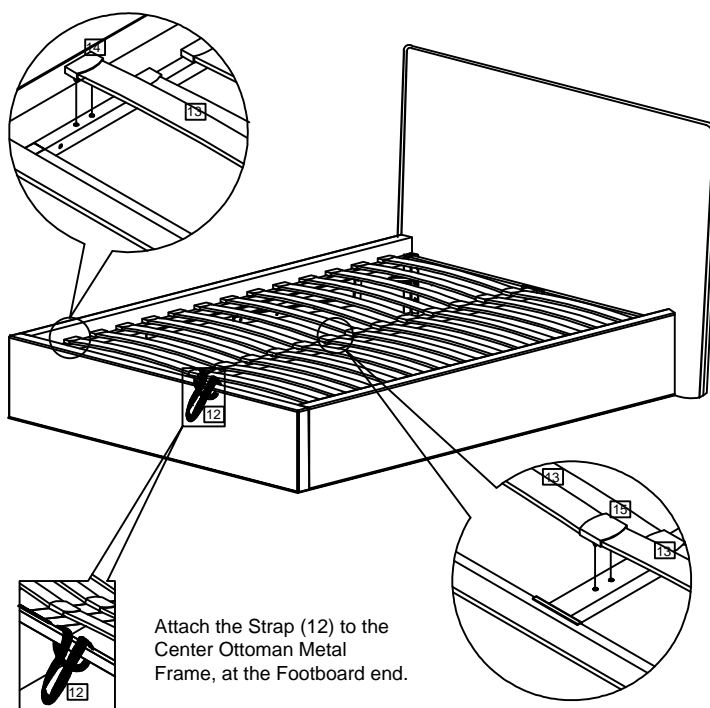
Step 11: Attaching the Slats & Strap to the Ottoman Metal Frame

14  Side Slat Caps Double/King 26/30 pcs

15  Centre Slat Caps Double/King 13/15 pcs

Push down firmly on the Slat Caps into the pre-drilled holes on the Ottoman Metal Frame. It is recommended to push the Centre Slat Caps into position before pushing down on the Side Slat Caps.

Attaching the Slats & Strap to the Ottoman Metal Frame - this is much easier to do with the frame closed. The frame needs to be closed without the mattress, and may need more force than expected - refer to the last page for gas strut trouble shooting.



Attach the Strap (12) to the Center Ottoman Metal Frame, at the Footboard end.

Care and Maintenance

Here are some good tips to keep your new ottoman bed frame in tip-top condition.

Cleaning

To clean your new ottoman bed frame, we advise using a damp cloth if the fabric is dusty or a low suction vacuum. Do not use abrasive chemicals or bleach as this may damage the product.

Checking and Moving

Periodically, we recommend you check that the screws and fixtures haven't become loose over time. To move your bed frame, we recommend lifting it where possible, as dragging or pushing it could cause damage to the legs or flooring.

Fabric

Please note, depending on the lighting, positioning and surroundings of your room, the shade of the fabric will appear differently. Over a period of time, the fabric may also lighten or fade slightly due to light exposure.

Gas strut/piston best use:

- Use caution when operating - always use two hands.
- Only attempt to close the ottoman frame, once the mattress has been placed on the frame.
- The thicker side of the cylinder should be above the thinner side- this will increase longevity of the part.
- Only attempt to close the frame with two hands from the footboard side, slowly increasing the pressure until the frame starts moving downwards.
- Closing the frame for the first time may be difficult, as the cylinder needs cycling and lubricating. After closing for the first time, open and close a further 5 times.
- If the frame is stuck open and unable to be closed, we recommend getting assistance from a second person, both applying equal pressure from each side of the footboard until the frame closes, this may require more force than expected. Stop applying pressure if the metal frame begins to warp – contact customer services at this point.

Top tips:

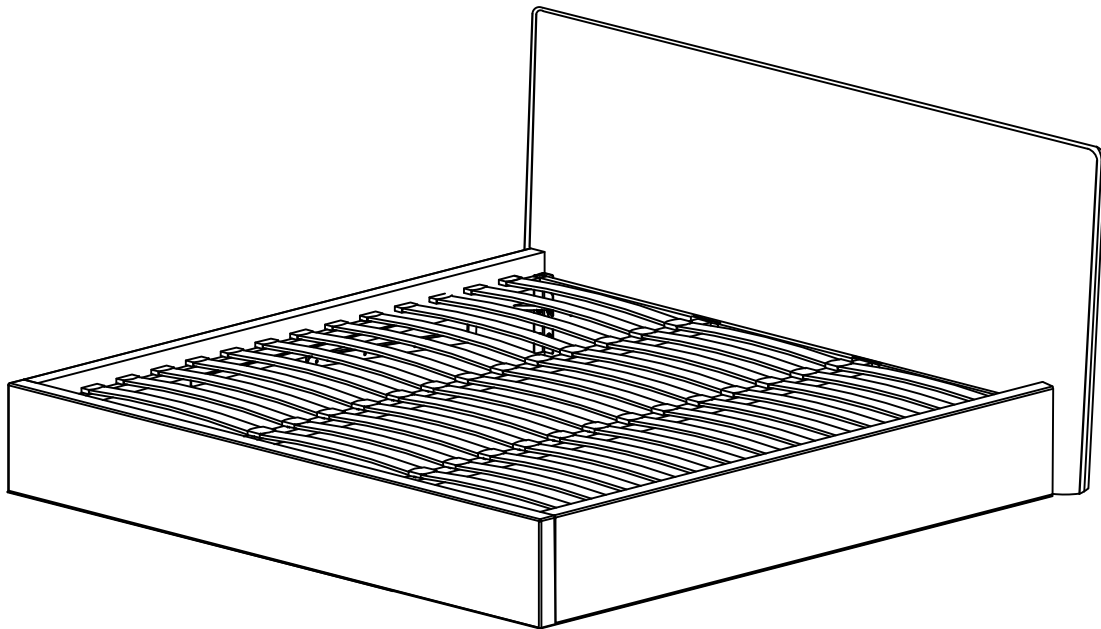
- Do not attempt to close the gas strut/piston by hand, it can only be compressed once added to the frame
- Ensure the frame can move freely before adding the gas struts/pistons
- Check the frame is fully square, being offset can cause the frame to catch on the side rail

DUSK.COM

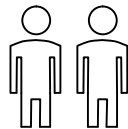
LIVING | BEDROOM | DINING

Box Dimensions:
box 1: L211 x W121x H12. box 2: L207x W33.5x H18(cm)

Oslo Ottoman Bed Frame Super King



Up to 2 hour approx
assembly time



Two person
assembly

V1.0

Page 1

Important

Assembly Tip

Before you begin, it's best to identify all of the parts and fittings to build your ottoman bed frame. We advise laying these out on the floor to check you have everything, and to familiarise yourself with all of the parts and fittings before building.

Top Tip

We recommend that you build your new ottoman bed frame in the room you'd like it to be located. This will help prevent any risk of damage to the frame whilst moving it.

Safety and Care

It's important to ensure children and animals are kept away from the assembly area, as there are small components used in this bed frame which could present a choking hazard. All plastic and wrapping materials should also be kept away from children and animals to prevent any risk of suffocation.

Help and Support

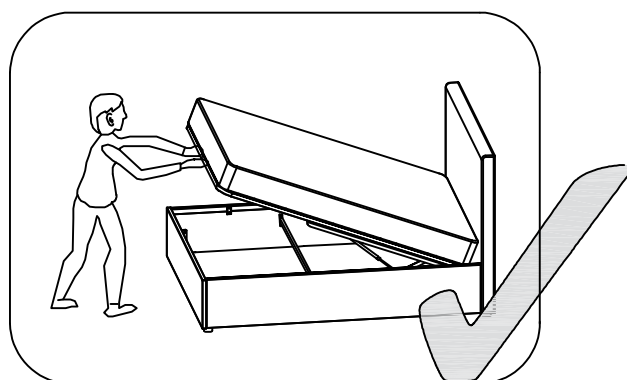
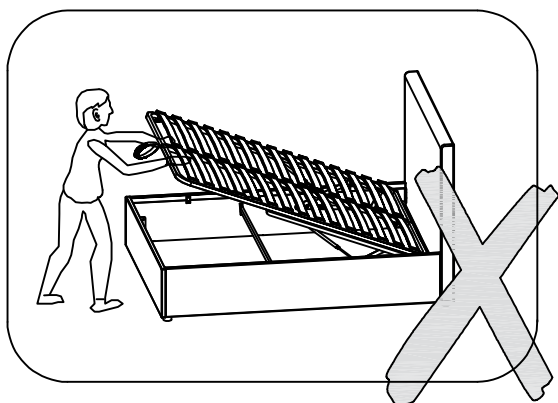
Please contact our customer service team on 0113 519 0311 if you have any questions or issues with your purchase.

Recycling

Please ensure that packaging is disposed of in a safe and environmentally friendly way, and recycle where possible. Please keep your assembly instructions safe to refer back to in the future.

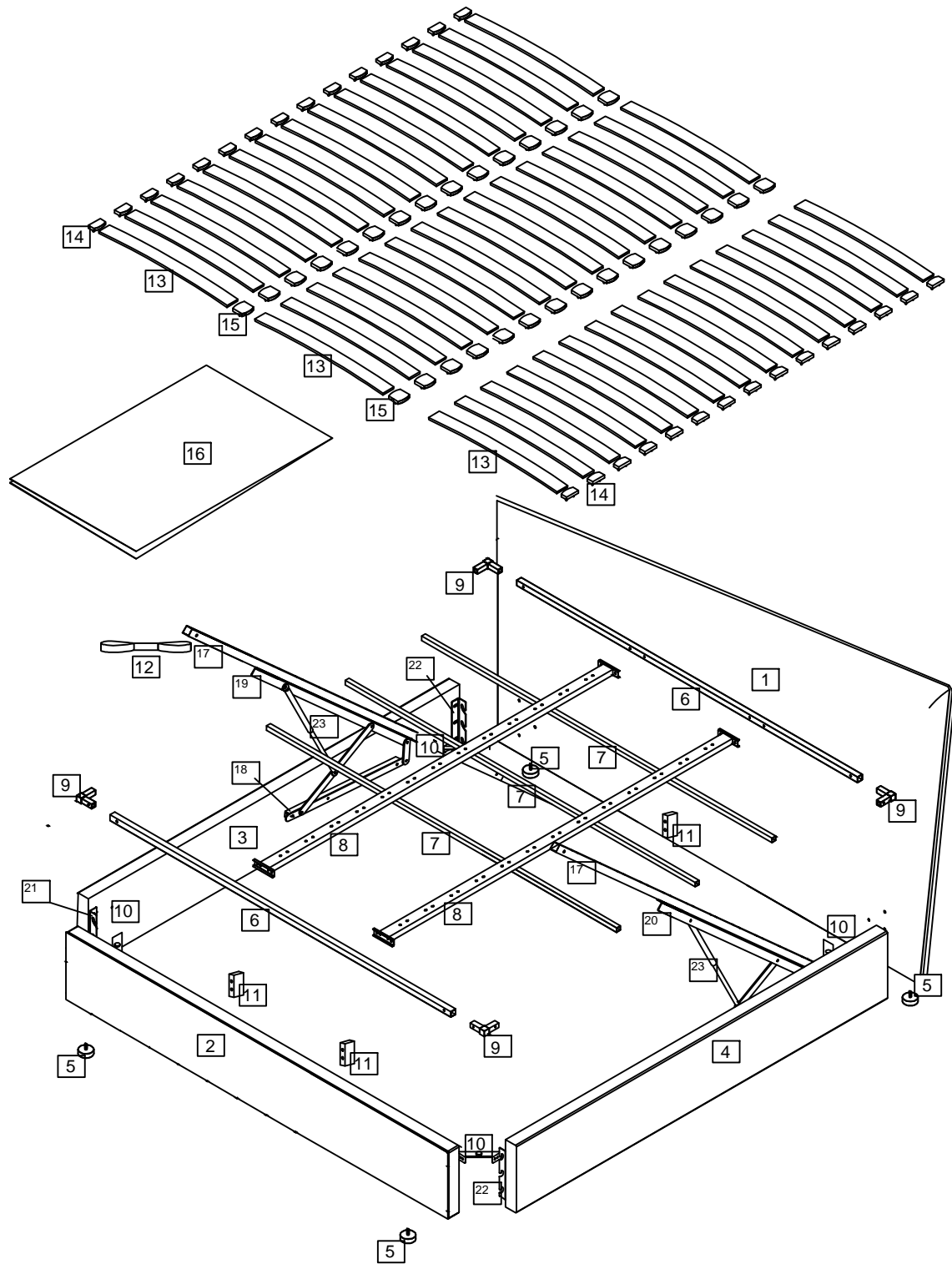
Operating Your Ottoman Bed Frame Safely

- Caution, this ottoman bed frame uses a pressurised mechanism.
- Please ensure children and animals are kept away from the ottoman bed frame when operating the mechanism.
- Use caution when operating, and always use two hands at arm's length.
- You must always ensure the mattress is on the ottoman bed frame before lifting the mechanism. Failure to do so may result in injury or damage to the mechanism.
- If removing the mattress, make sure the ottoman bed frame is secured as it could flip open.
- Only use the storage compartment when the ottoman bed frame is fully in the upright position.
- Do not remain on the ottoman bed frame whilst the lifting mechanism is in use.
- Beware of entrapment. Keep both hands clear of the mechanism when operating.
- When lifting the ottoman bed frame, remove all bedding except the fitted sheet. Always use the strap to lift or lower the ottoman metal frame. Close the ottoman metal frame by pushing down firmly with both hands towards the centre of the bed frame with equal pressure.
- No children or animals should be left unattended when the ottoman bed frame is in the upright position.
- When fully assembled, raise and lower the ottoman metal frame 4/5 times to ensure the gas pistons are fully lubricated.
- Ensure to re-tighten all nuts and bolts within the ottoman bed frame after the first two weeks of use.



Parts

Before you begin building your ottoman bed frame, please take a moment to read through the instructions and make sure that you have all the relevant parts listed on the parts check list.



Parts Check List

No.	Parts List	Qty	Box No
1	Headboard	1pc	Box 1
2	Footboard	1pc	Box 1
3	Side Rail with Lift Mechanism - LH	1pc	Box 2
4	Side Rail with Lift Mechanism - RH	1pc	Box 2
5	Adjustable leg	4pcs	Box 1
6	Front/Rear Ottoman Metal Frame	2pcs	Box 1
7	Horizontal Support Rail	3pcs	Box 1
8	Central Support Rail	2pcs	Box 2











No.	Parts List	Qty	Box No
9	Plastic Corner Bracket	4pcs	Box 1
10	Angle Corner Bracket	4pcs	Box 1
11	Holding Block	3pcs	Box 1
12	Strap	1pc	Box 1
13	Slat	45pcs	Box 1
14	Side Slat Cap Double/king	30pcs+1pc extra	Box 1
15	Centre Slat Cap Double/ king	30pcs+1pc extra	Box 1
16	Fabric Base	1pc	Box 1

Pre-assembled Parts Check List






17	Side Support Rail	2pcs	Box 2
18	Side Metal Rail	2pcs	Box 2
19	Lift Mechanism - LH	1pc	Box 2
20	Lift Mechanism - RH	1pc	Box 2

21	Angle Iron Bracket -LH	2pcs	Box 2
22	Angle Iron Bracket -RH	2pcs	Box 2
23	Piston	2pcs	Box 2

Please check you have all the fittings listed below with your product Box 1

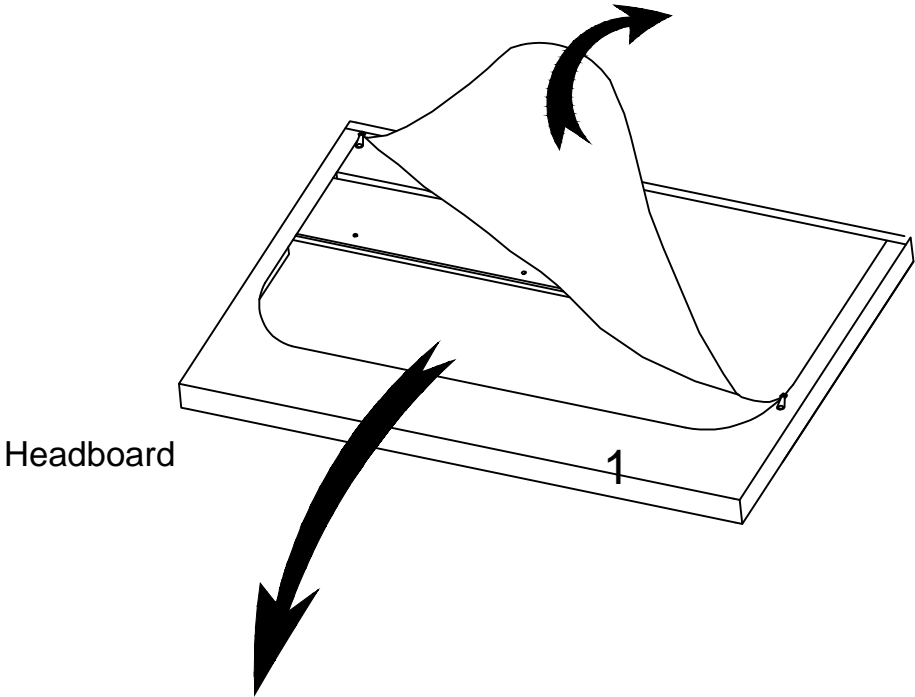
 A M8 40mm Bolt 12pcs+1 extra	 B M6 80mm Bolt 6pcs	 C M6 30mm Bolt 6pcs	 D M6 25mm Bolt 16pcs+1 extra
 E M8 Nut 2pcs	 F Spring Washer 12pcs+1 extra	 G M8 Flat Washer 12pcs+1 extra	 H M5 Allen Key 1pc
 I M4 Allen Key 1pc	 J Spanner 1pc		

Pre-assembled Fittings





 E M8 Nut 2pcs	 G M8 Flat Washer 12pcs	
 D M8 25mm Bolt 12pcs	 L M8 60mm Bolt 6pcs	 U M6 15mm Bolt 4pcs

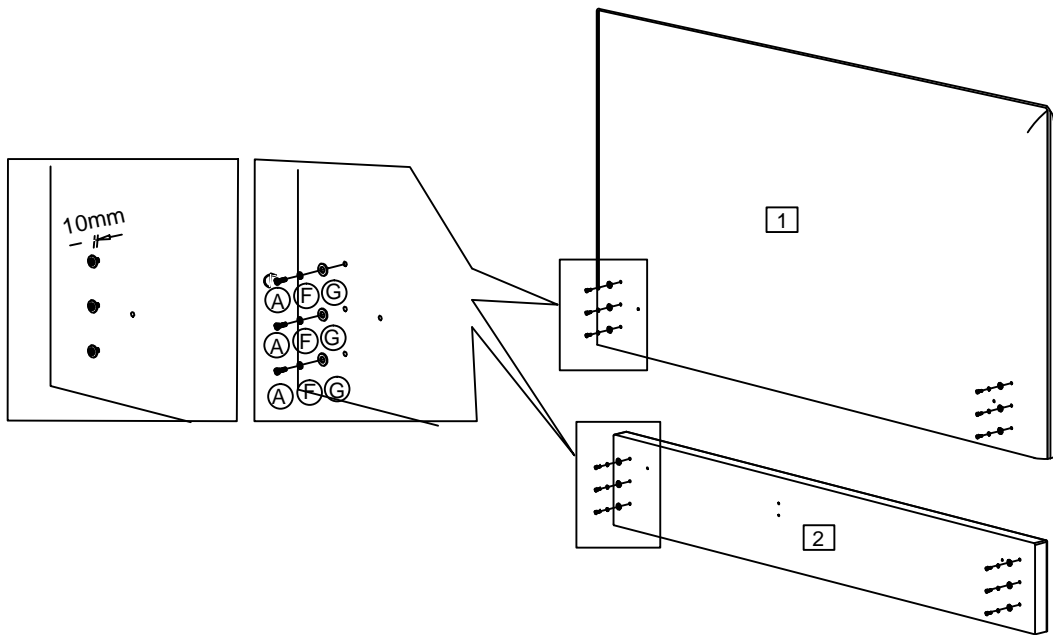
NB: there are additional spare Fittings included within the Fitting pack

Step 1: All parts in Box 1 are stored in the headboard, please open the zipper behind the headboard and take out the parts.



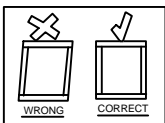
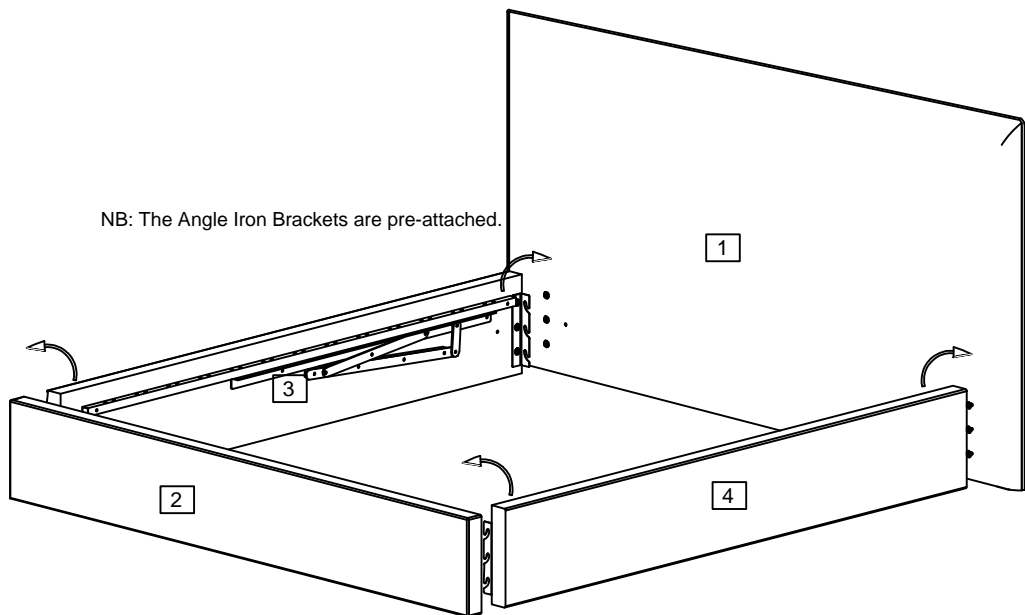
Step 2: Attaching the Bolts to the Headboard & Footboard

-  12pcs
-  12pcs
-  12pcs
-  1pc



Step 3: Attaching the Left & Right Side Rails to the Headboard & Footboard

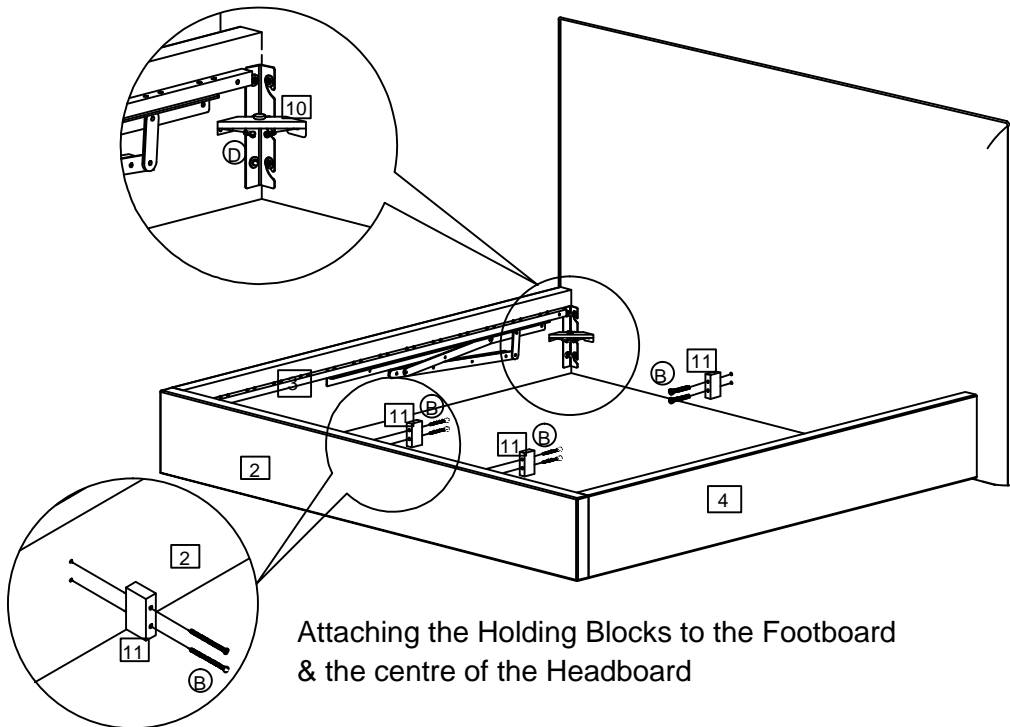
NB: The Angle Iron Brackets are pre-attached.



NB: Before tightening the bolts, please ensure the bed frame is square

Step 4: Attaching the Side Rails to the Headboard & Footboard using the Angle Corner Brackets

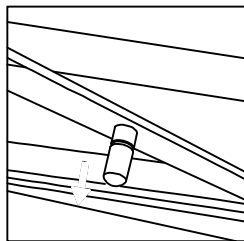
- Ⓟ 6pcs
- Ⓣ 8pcs
- Ⓛ 1pc



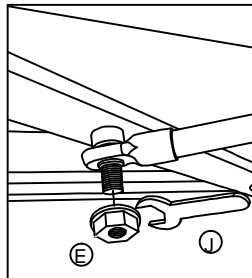
Step 5: Securing the Left & Right Side Rails to the Lifting Mechanism

- Ⓟ 2pcs
- Ⓛ 1pc

a:



b:



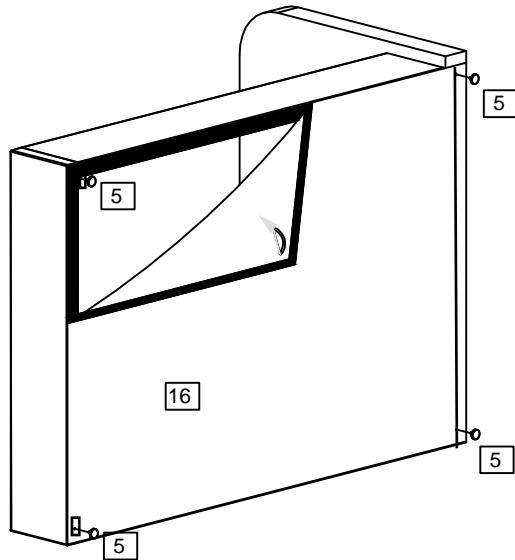
NB: Do not over tighten the Nuts.



Note: Please twist the tip of piston to a correct position if unable to connect to the bolt.

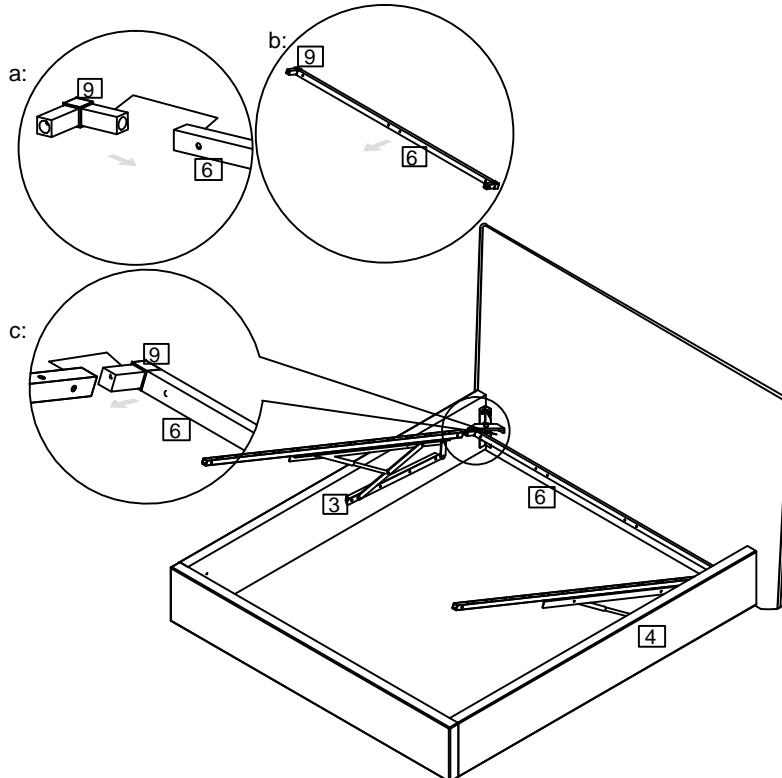
Leave the ottoman bed frame in an elevated position.

Step 6: Attaching the Fabric Base & Legs



Fit the fabric base along the velcro on the base of bed frame. Make sure the side of the fabric base with 2 holes is attached to the footboard and attach the legs through the 2 holes to the footboard.

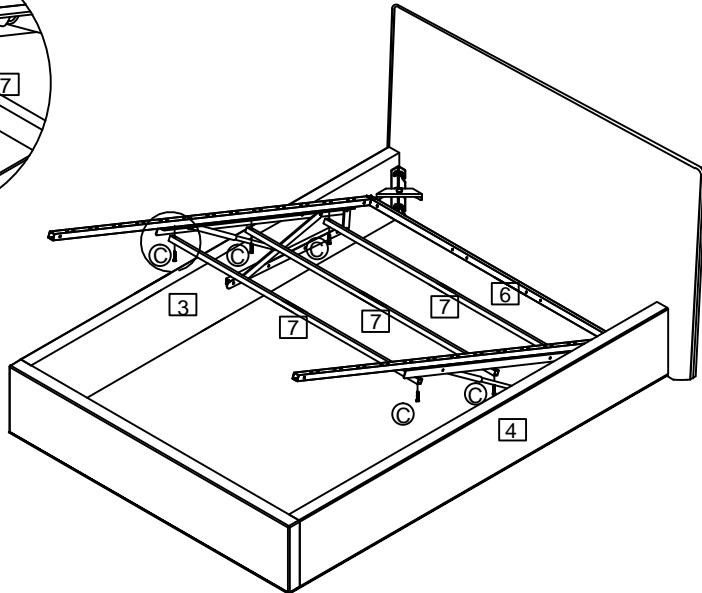
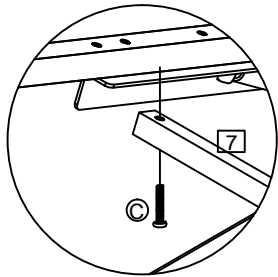
Step 7: Attaching the Rear Ottoman Metal Frame to the Side Rails



Attach the Rear Ottoman Metal Frame (6) to the left and right hand Side Rails with the Plastic Brackets (9).

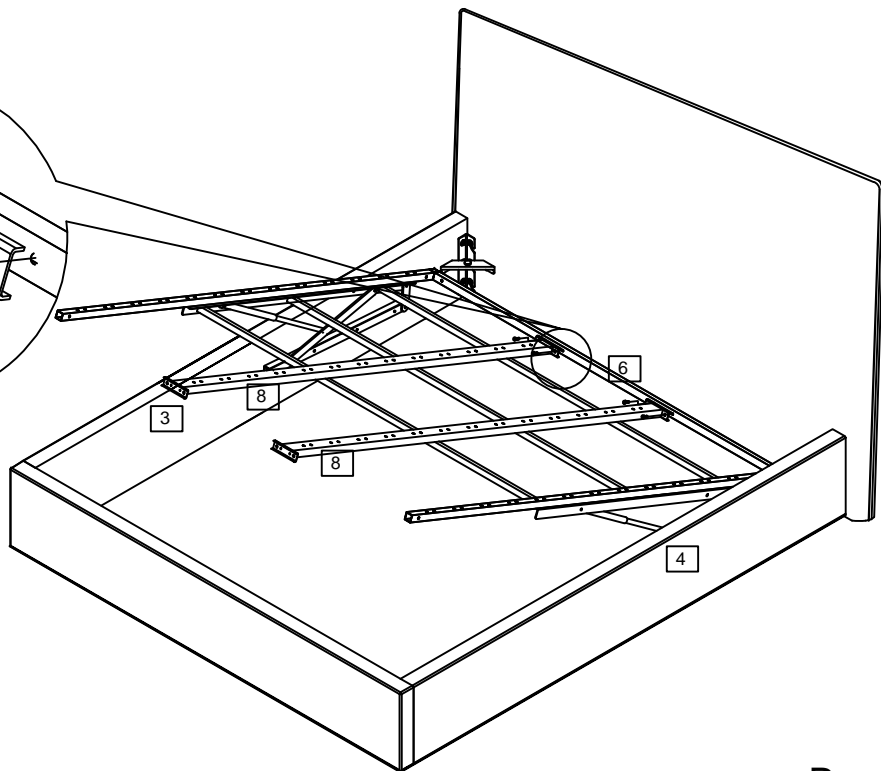
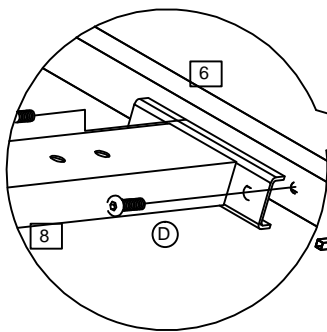
Step 8: Attaching the Horizontal Support Rails to the Left & Right Side Rails

- ⊙ 6pcs
- ⓐ 1pc



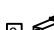


Step 9: Attaching the Centre Support Rails to the Rear Ottoman Metal Frame

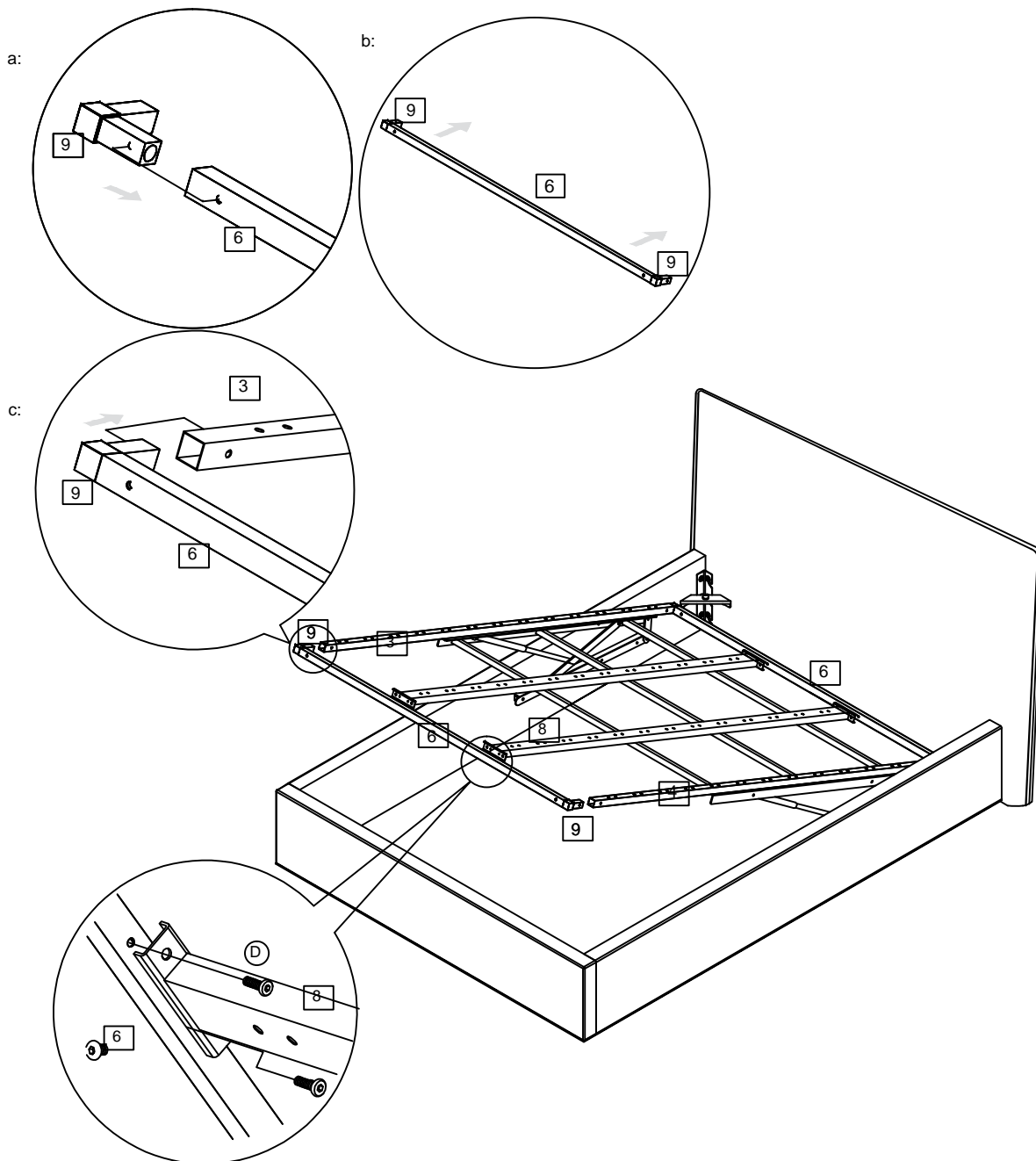
- ⊙ 4pcs
- ⓐ 1pc




Step 10: Attaching the Central Support Rails & Side Rails to the Front Ottoman Metal Frame

-  4pcs
-  1pc
-  2pcs

Attach the Front Ottoman Metal Frame (6) to the left and right hand Side Rails with Plastic Corner Brackets (9).



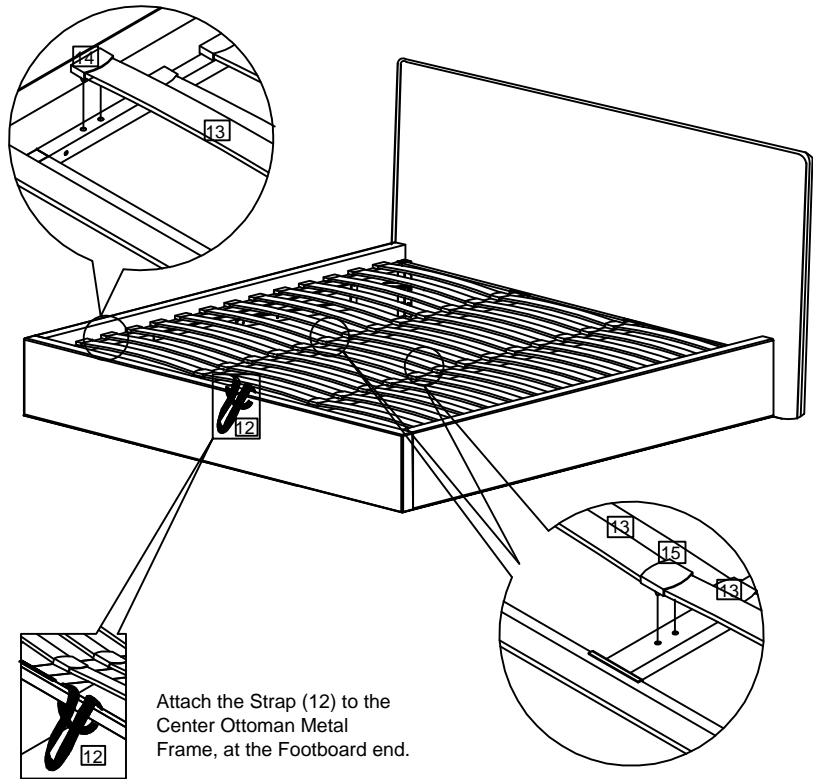
Step 11: Attaching the Slats & Strap to the Ottoman Metal Frame

14  Side Slat Caps Super King 30 pcs

15  Centre Slat Caps Super King 30 pcs

Push down firmly on the Slat Caps into the pre-drilled holes on the Ottoman Metal Frame. It is recommended to push the Centre Slat Caps into position before pushing down on the Side Slat Caps.

Attaching the Slats & Strap to the Ottoman Metal Frame - this is much easier to do with the frame closed. The frame needs to be closed without the mattress, and may need more force than expected – refer to the last page for gas strut trouble shooting.



Attach the Strap (12) to the Center Ottoman Metal Frame, at the Footboard end.

Care and Maintenance

Here are some good tips to keep your new ottoman bed frame in tip-top condition.

Cleaning

To clean your new ottoman bed frame, we advise using a damp cloth if the fabric is dusty or a low suction vacuum. Do not use abrasive chemicals or bleach as this may damage the product.

Checking and Moving

Periodically, we recommend you check that the screws and fixtures haven't become loose over time. To move your bed frame, we recommend lifting it where possible, as dragging or pushing it could cause damage to the legs or flooring.

Fabric

Please note, depending on the lighting, positioning and surroundings of your room, the shade of the fabric will appear differently. Over a period of time, the fabric may also lighten or fade slightly due to light exposure.

Gas strut/piston best use:

- Use caution when operating - always use two hands.
- Only attempt to close the ottoman frame, once the mattress has been placed on the frame.
- The thicker side of the cylinder should be above the thinner side- this will increase longevity of the part.
- Only attempt to close the frame with two hands from the footboard side, slowly increasing the pressure until the frame starts moving downwards.
- Closing the frame for the first time may be difficult, as the cylinder needs cycling and lubricating. After closing for the first time, open and close a further 5 times.
- If the frame is stuck open and unable to be closed, we recommend getting assistance from a second person, both applying equal pressure from each side of the footboard until the frame closes, this may require more force than expected. Stop applying pressure if the metal frame begins to warp – contact customer services at this point.

Top tips:

- Do not attempt to close the gas strut/piston by hand, it can only be compressed once added to the frame
- Ensure the frame can move freely before adding the gas struts/pistons
- Check the frame is fully square, being offset can cause the frame to catch on the side rail