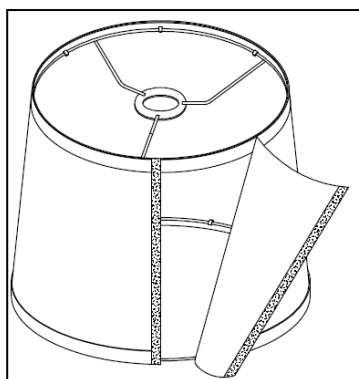
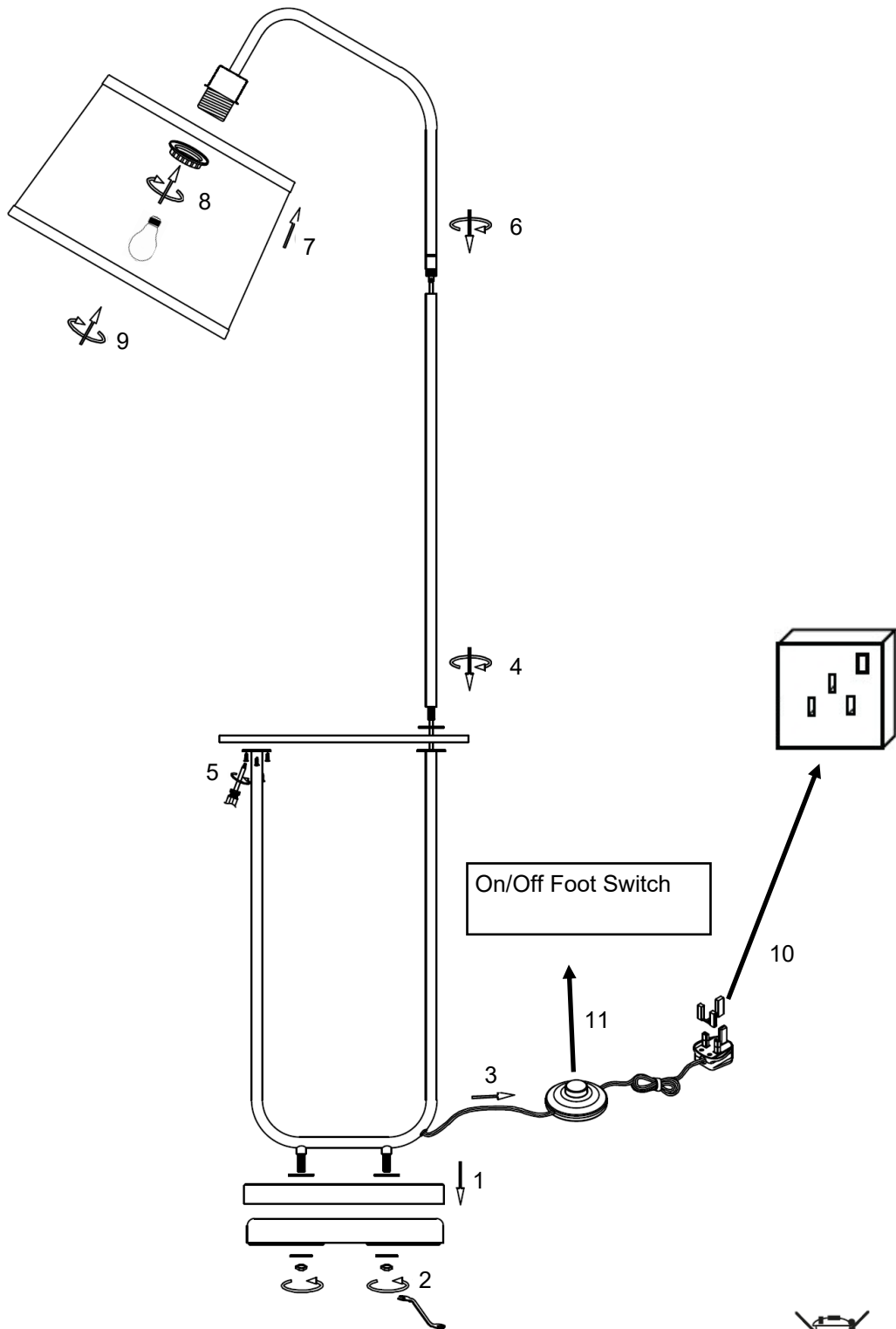
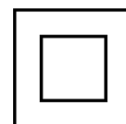


# ORIANNA FLOOR LAMP WITH SIDE TABLE



E27  
(BULB NOT INCLUDED)



APPROVED  
Q.C 06/11/2024  
ISSUE 1