

DUSK.COM

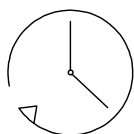
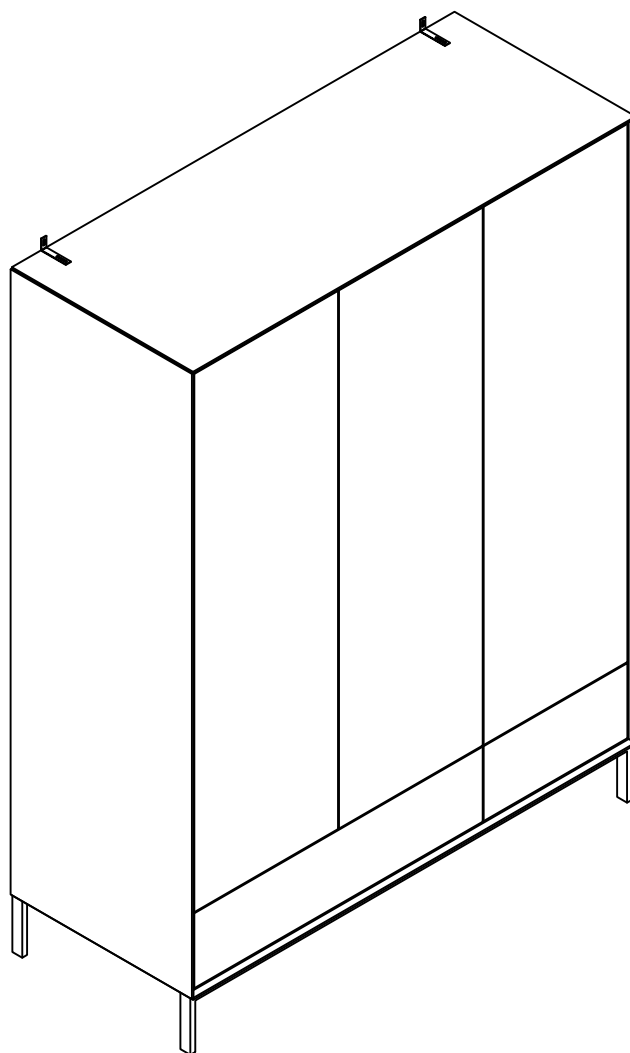
LIVING | BEDROOM | DINING

Range Name:NOVA

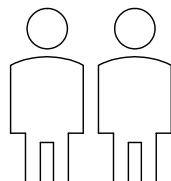
Box1 dimensions:L179xW67xH16(cm)

Box2 dimensions:L151xW67xH13.5(cm)

Nova 3 Door Wardrobe



**Up to 90 minutes
assembly time**



**Two person
assembly**

This product is intended for domestic use only, not commercial purposes.

IMPORTANT

ASSEMBLY TIP

Before you begin, it's best to identify all of the parts and fittings to build your Nova Wardrobe frame. We advise laying these out on the floor to check you have everything, and to familiarise yourself with all of the parts and fittings before building.

TOP TIP

We recommend that you assemble the Nova Wardrobe in the room you'd like it to be located. This will help prevent any risk of damage to the frame whilst moving it.

SAFETY AND CARE

It's important to ensure children and animals are kept away from the assembly area, as there are small components used in this product which could present a choking hazard. All plastic and wrapping materials should also be kept away from children and animals to prevent any risk of suffocation.

HELP AND SUPPORT

Please contact our customer service team on 0113 519 0311 if you have any questions or issues with your purchase.

RECYCLING

Please ensure that packaging is disposed of in a safe and environmentally friendly way, and recycle where possible. Please keep your assembly instructions safe to refer back to in the future.

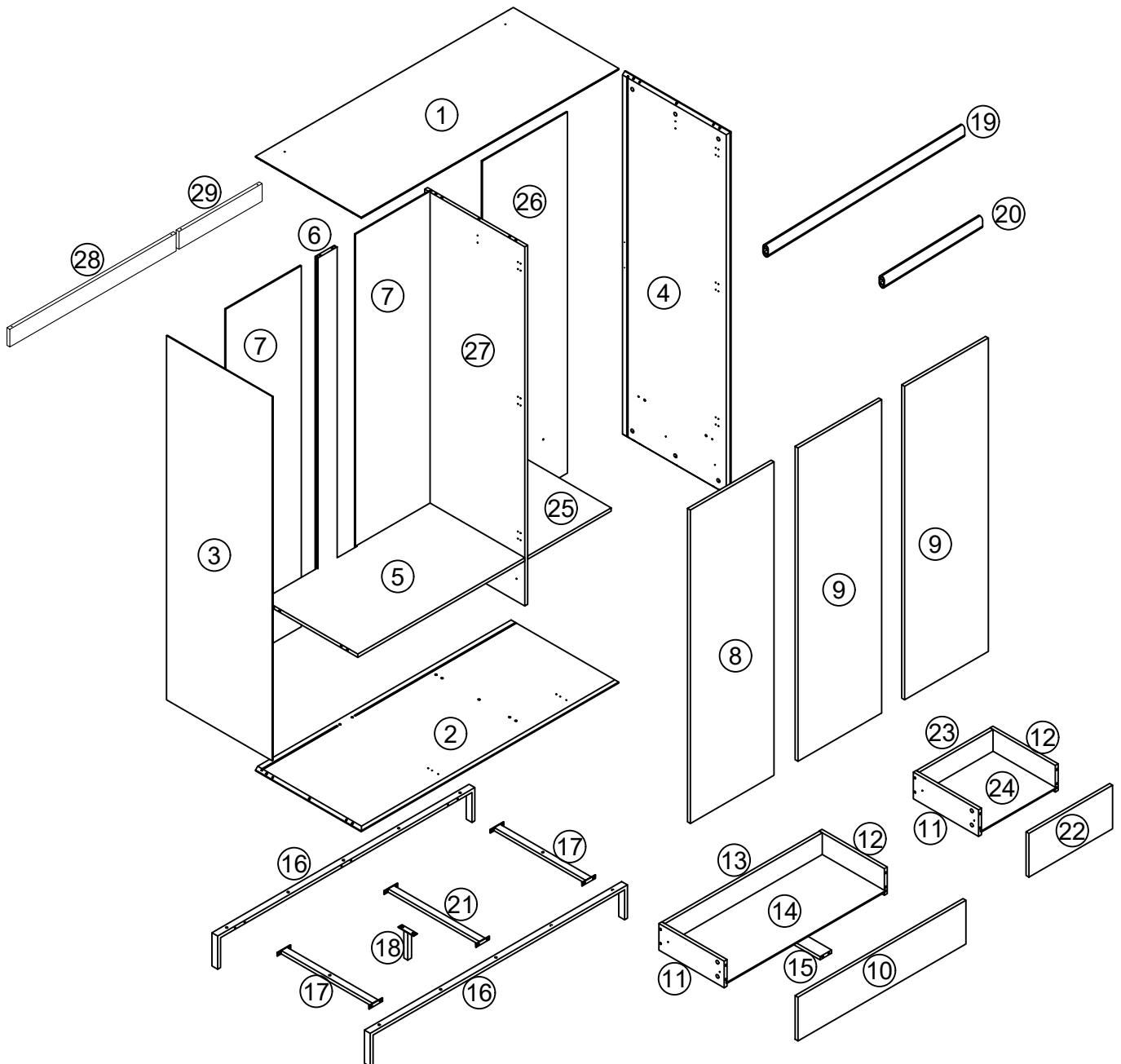
CARE AND MAINTENANCE:

1. Only clean using a damp cloth, do not use bleach or abrasive cleaners as they may damage the finish over time.
2. Do not use a very wet cloth or allow any liquid to contact with the veneer for a long period of time. Wipe any spillage immediately. Absorption can cause wood to warp or finishes to de-laminate.
3. Do not scrub or rub the surface when cleaning.
4. Do not drag the Nova Wardrobe when moving, lift it off the floor instead.
5. Use a placemat or a coaster when putting hot items (e.g. hot drinks and dishes) on the wood surface.
6. It is not recommended to place the item next to sources of heat such as radiators, fires or directly exposed to sunlight. This may cause the wood to crack, split or fade due to the heat and humidity.
7. Wood will mellow and change colour over time, we recommend that ornaments and items placed on the surface to be moved regularly to prevent uneven mellowing.
8. Regularly check all fixings to ensure none have come loose. Re-tighten if necessary.
9. Avoid sharp items such as a screwdriver or any pointy tools.
10. Dispose of all packaging carefully and responsibly - recycle where possible.

Parts List

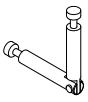
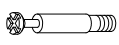





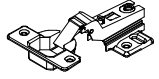

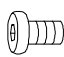
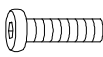

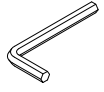
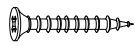
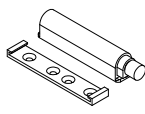


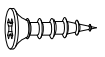

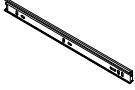
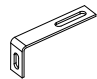


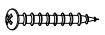
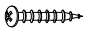
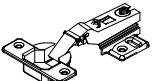
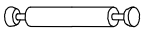
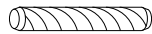

Before you begin building your Nova 3 Door Wardrobe, please take a moment to read through the instructions and make sure that you have all the relevant parts listed on the parts check list.

Part Number	Part Description	Quantity	Part Number	Part Description	Quantity	Part Number	Part Description	Quantity
①	Top panel	1 pc	⑪	Drawer left panel	2 pcs	⑳	Middle leg support	1 pc
②	Bottom panel	1 pc	⑫	Drawer right panel	2 pcs	㉑	Right drawer front	1 pc
③	Left side panel	1 pc	⑬	Left drawer back panel	1 pc	㉒	Right drawer back panel	1 pc
④	Right side panel	1 pc	⑭	Left drawer bottom	1 pc	㉓	Right drawer bottom	1 pc
⑤	Left shelf panel	1 pc	⑮	Drawer floor	1 pc	㉔	Right shelf panel	1 pc
⑥	Centre support	1 pc	⑯	Leg	2 pcs	㉕	Right back panel	1 pc
⑦	Left back panel	2 pcs	⑰	Side leg support	2 pcs	㉖	Right back panel	1 pc
⑧	Left door	1 pc	⑱	Centre leg	1 pc	㉗	Middle panel	1 pc
⑨	Right door	2 pcs	㉒	Left clothes poles	1 pc	㉘	Long connection panel	1 pc
⑩	Left drawer front	1 pc	㉓	Right clothes poles	1 pc	㉙	Short connection panel	1 pc



Fittings

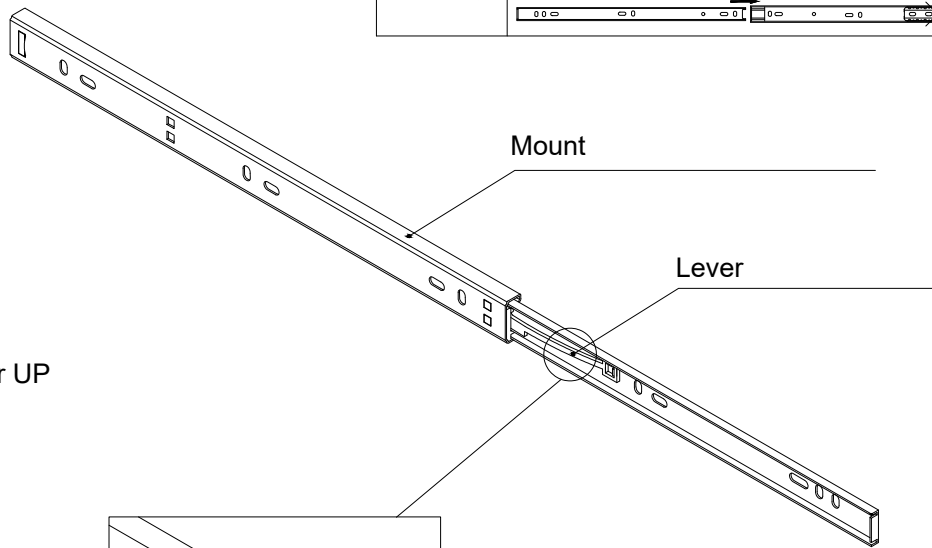
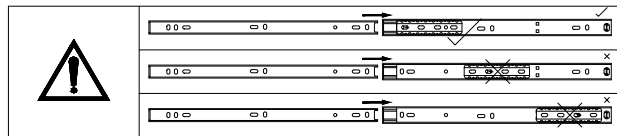
Please check you have all the fittings listed below with your product

<p>A</p> 	<p>B</p> 	<p>C</p> 	<p>D</p> 	<p>E</p> 	<p>F</p> 
<p>M6x84 CAM Lock Screw 12pcs+1pc extra</p>	<p>M6x44 CAM Lock Screw 19pcs+2pcs extra</p>	<p>Φ15x11mm CAM Lock 47pcs+2pcs extra</p>	<p>M3.5x14mm Screw 69pcs+3pcs extra</p>	<p>Φ6x25mm Wooden Dowel 8pcs+1pc extra</p>	<p>Φ8x30mm Wooden Dowel 8pcs +1pc extra</p>
<p>G</p> 	<p>H</p> 	<p>I</p> 	<p>J</p> 	<p>K</p> 	<p>L</p> 
<p>M7x50mm Screw 7pcs+1pc extra</p>	<p>Hinge 6pcs</p>	<p>Clothes Tray 4pcs</p>	<p>M6x12mm Bolt 14pcs+1pc extra</p>	<p>M6x25mm Bolt 12pcs +1pc extra</p>	<p>15x9mm Plastic Buckle 22pcs+2pcs extra</p>
<p>M</p> 	<p>N</p> 	<p>O</p> 	<p>P</p> 	<p>Q</p> 	<p>R</p> 
<p>4mm Allen Key 1pc</p>	<p>M3.5x35mm Screw 10pcs+1pc extra</p>	<p>83x14x19mm Pusher 5pcs</p>	<p>Ø16mm Screw and Washer 5pcs</p>	<p>Φ20mm Cover 23pcs+2pcs extra</p>	<p>M4x14mm Screw 62pcs+3pcs extra</p>
<p>S</p> 	<p>T</p> 	<p>U</p> 	<p>V</p> 	<p>W</p> 	<p>X</p> 
<p>M6 Adjustable Foot 1pc</p>	<p>340mm Slide 4pcs</p>	<p>76x32mm L-shaped Bracket 2pcs</p>	<p>M4x12mm Screw 2pcs</p>	<p>Φ8mm Expansion Tube 2pcs</p>	<p>M4x40mm Screw 2pcs</p>
<p>Y</p> 	<p>Z</p> 	<p>F1</p> 	<p>F2</p> 	<p>F3</p> 	
<p>M4x25mm Screw 6pcs+1pc extra</p>	<p>Hinge 3pcs</p>	<p>M6x82 CAM Lock Screw 2pcs</p>	<p>Φ8x50mm Wooden Dowel 2pcs</p>	<p>25x25x16mm Corner code 8pcs</p>	

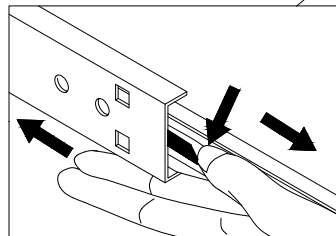
**Slides Must Be Separated Before Assembly.
After Separated, Set Aside Until Needed for Assembly.**

**Pay attention when connecting !
The sliding module must be at the front end.**

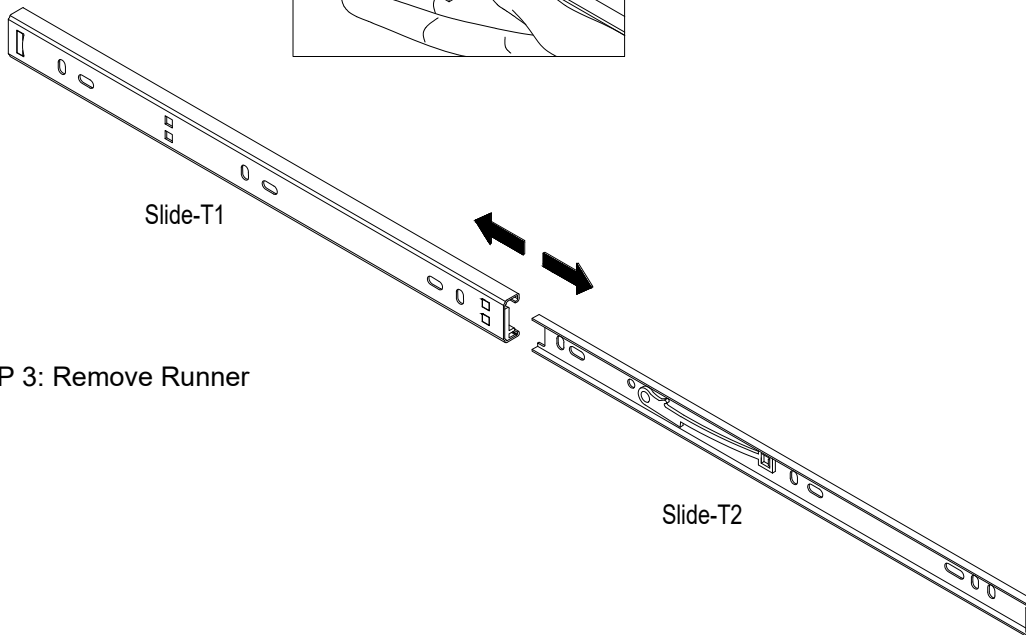
STEP 1 : Extend Slide



STEP 2: Push Lever UP

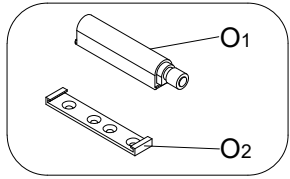
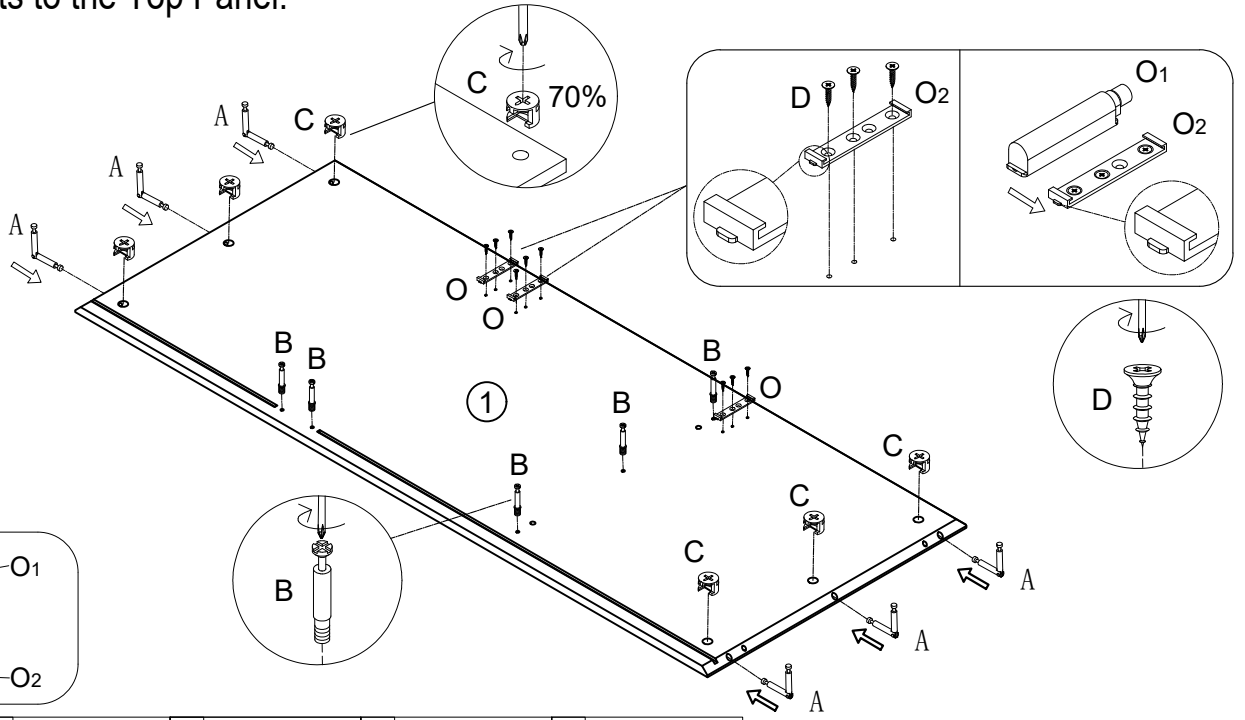


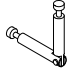
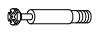

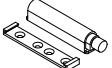
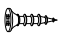
**Push lever for the left of drawer ,
press the lever for the right of drawer .**



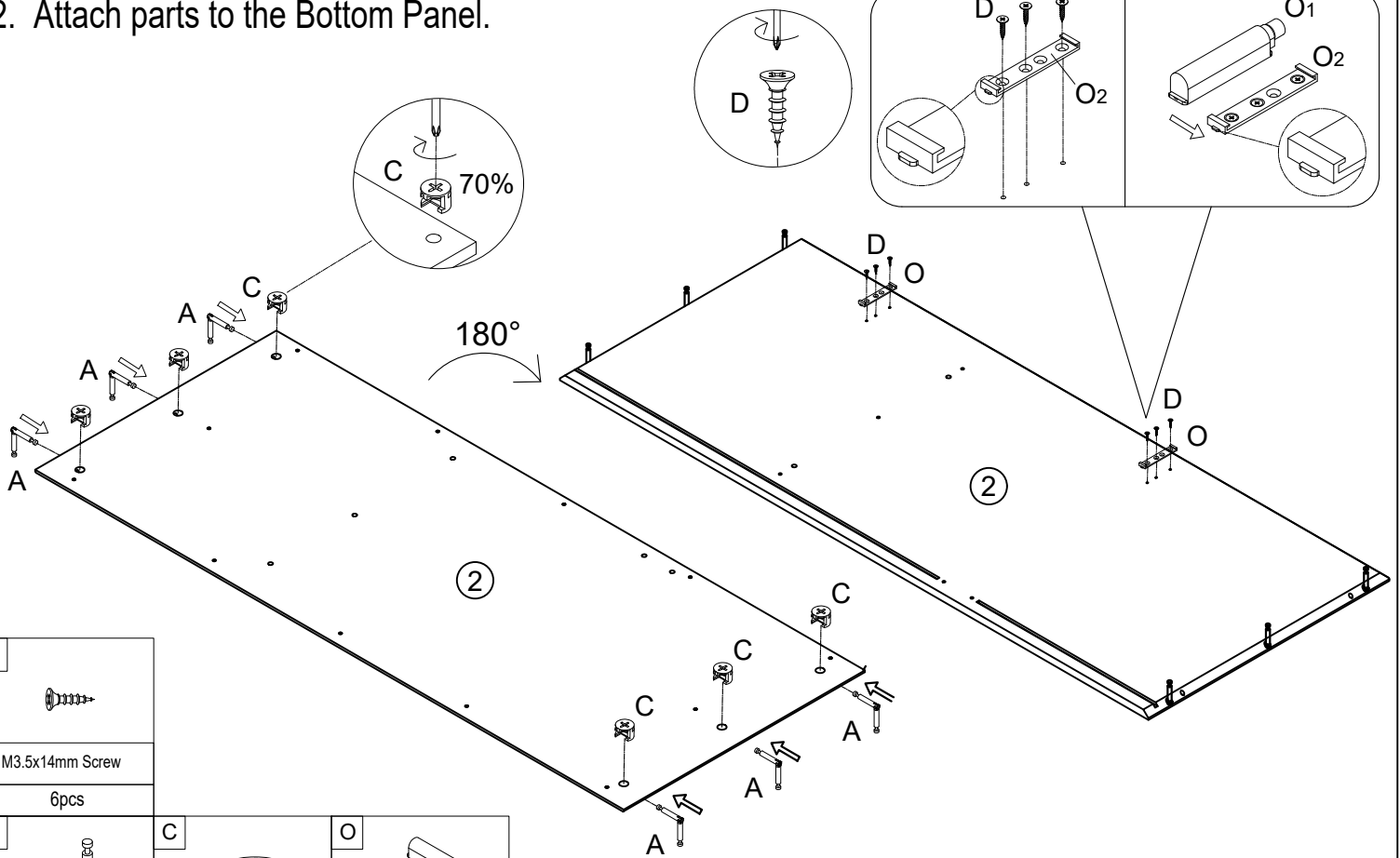
STEP 3: Remove Runner

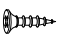
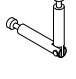

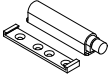
1. Attach parts to the Top Panel.



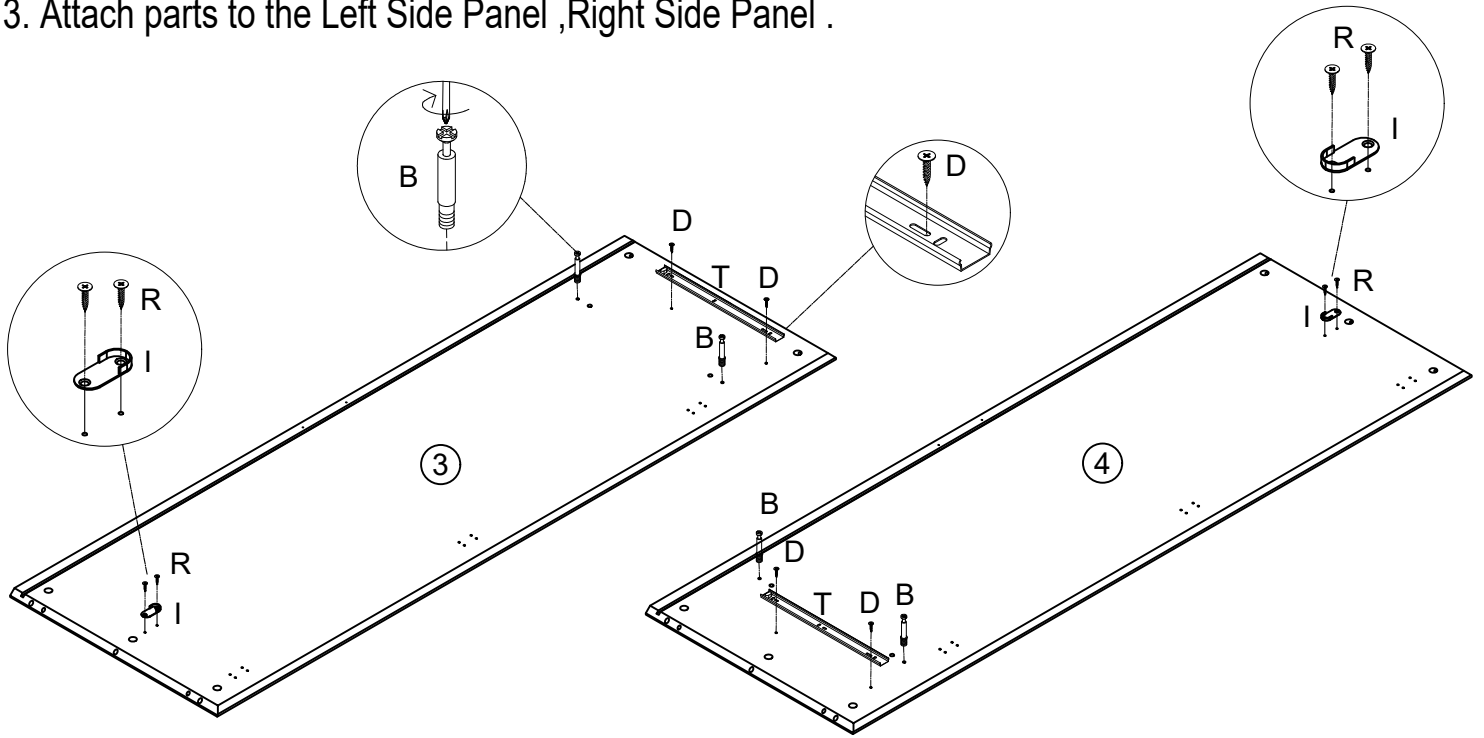
				
M6x84 CAM Lock Screw 6pcs	M6x44 CAM Lock Screw 5pcs	Φ15x11mm CAM Lock 6pcs	83x14x19mm Pusher 3pcs	M3.5x14mm Screw 9pcs

2. Attach parts to the Bottom Panel.



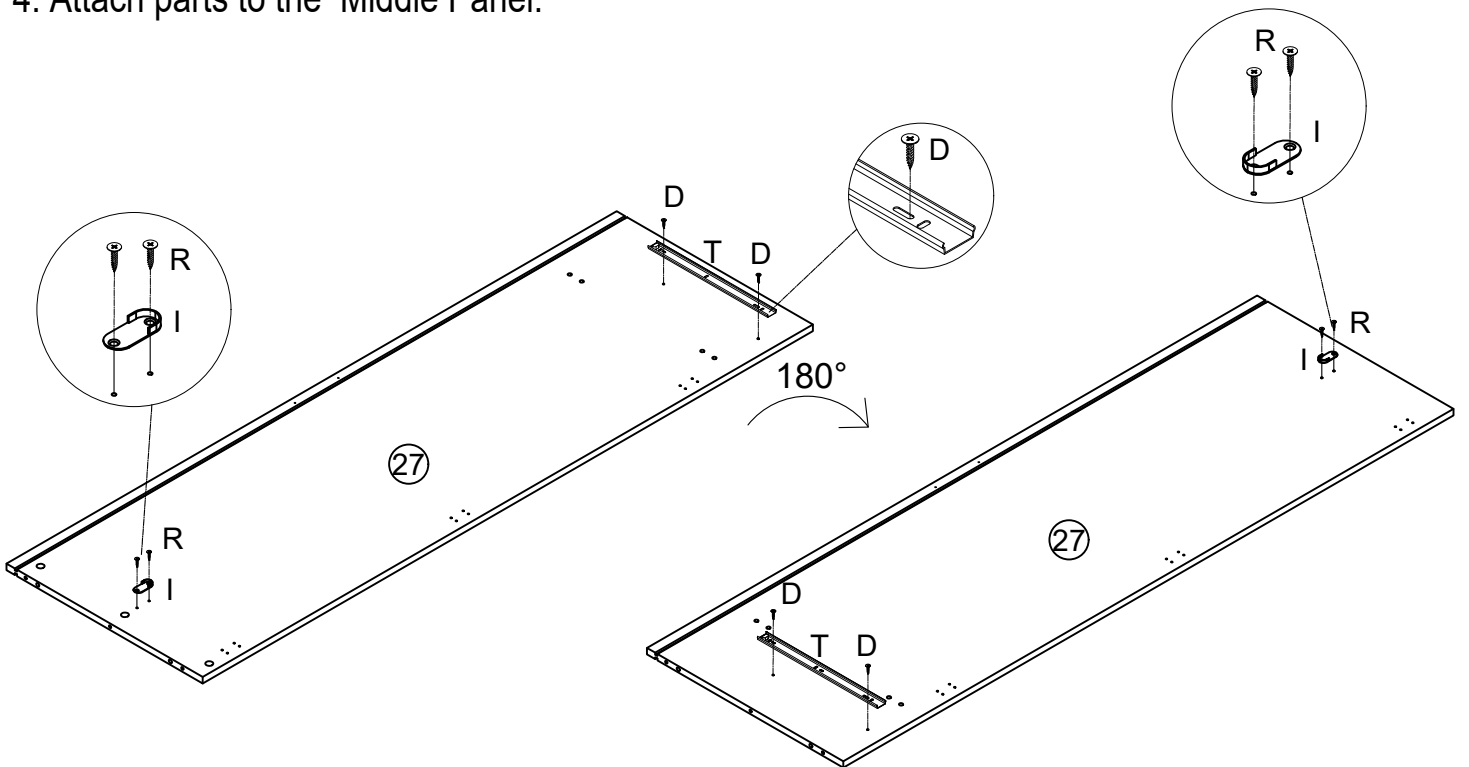
		
		
M3.5x14mm Screw 6pcs	M6x84 CAM Lock Screw 6pcs	Φ15x11mm CAM Lock 6pcs 83x14x19mm Pusher 2pcs

3. Attach parts to the Left Side Panel ,Right Side Panel .



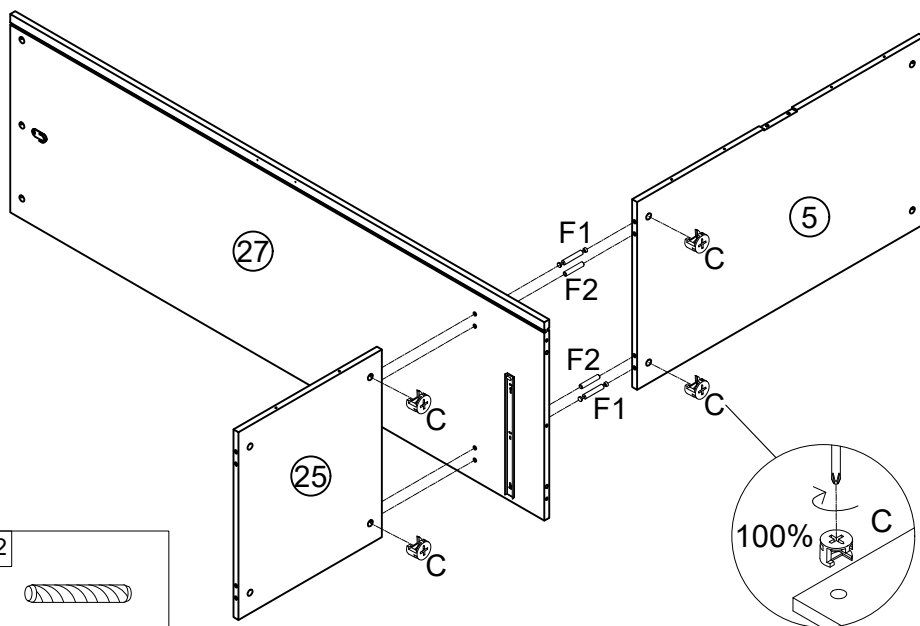
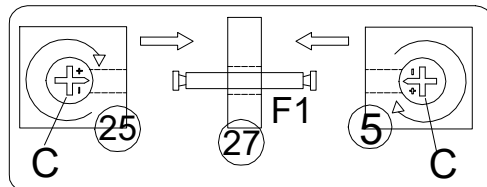
B	D	R	I	T	
M6x44 CAM Lock Screw	M3.5x14mm Screw	M4x14mm Screw	Clothes Tray	Slide-T1	
4pcs	4pcs	4pcs	2pcs	2pcs	

4. Attach parts to the Middle Panel.



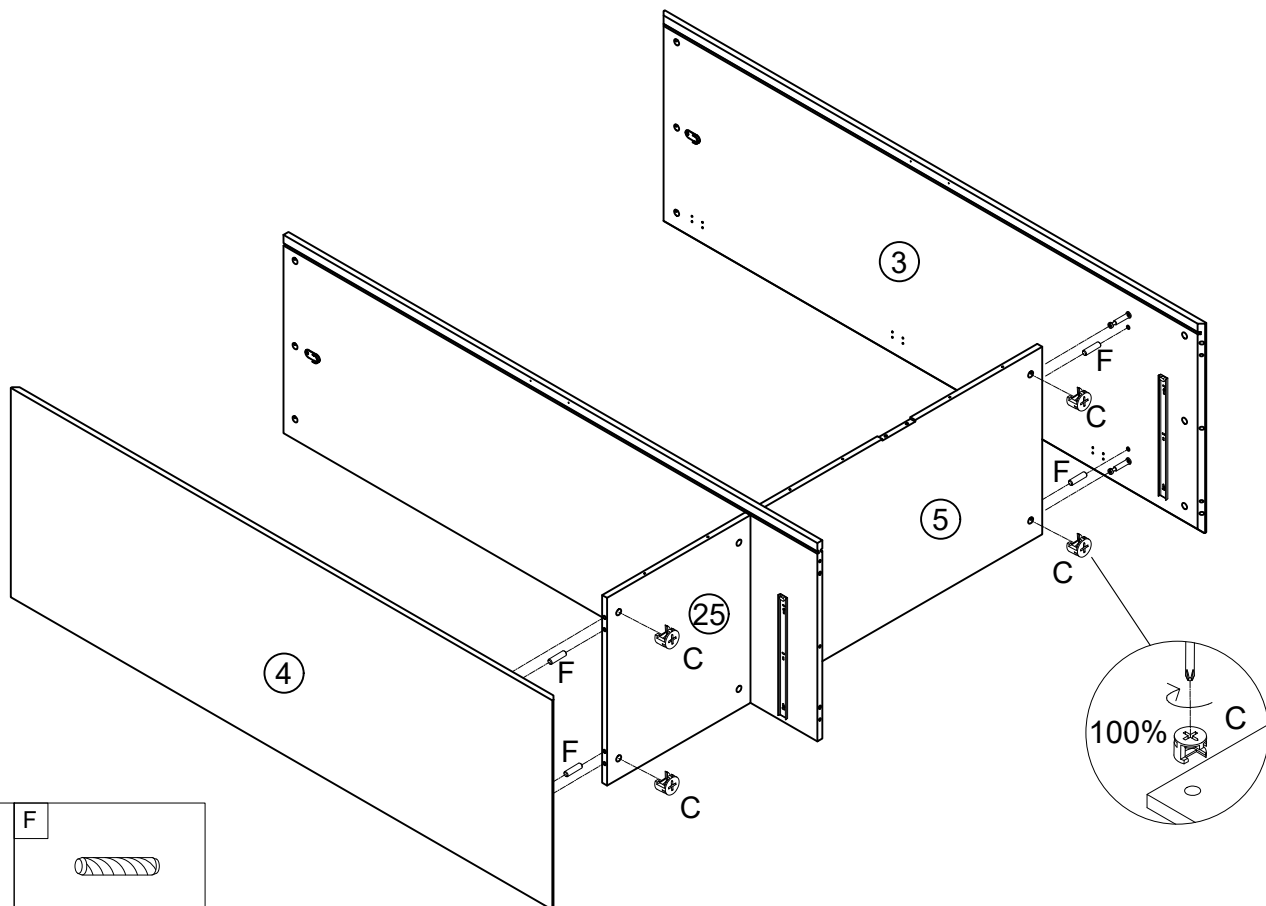
D	R	I	T	
M3.5x14mm Screw	M4x14mm Screw	Clothes Tray	Slide-T1	
4pcs	4pcs	2pcs	2pcs	

5. Attach the Shelf Panels to the Middle Panel .



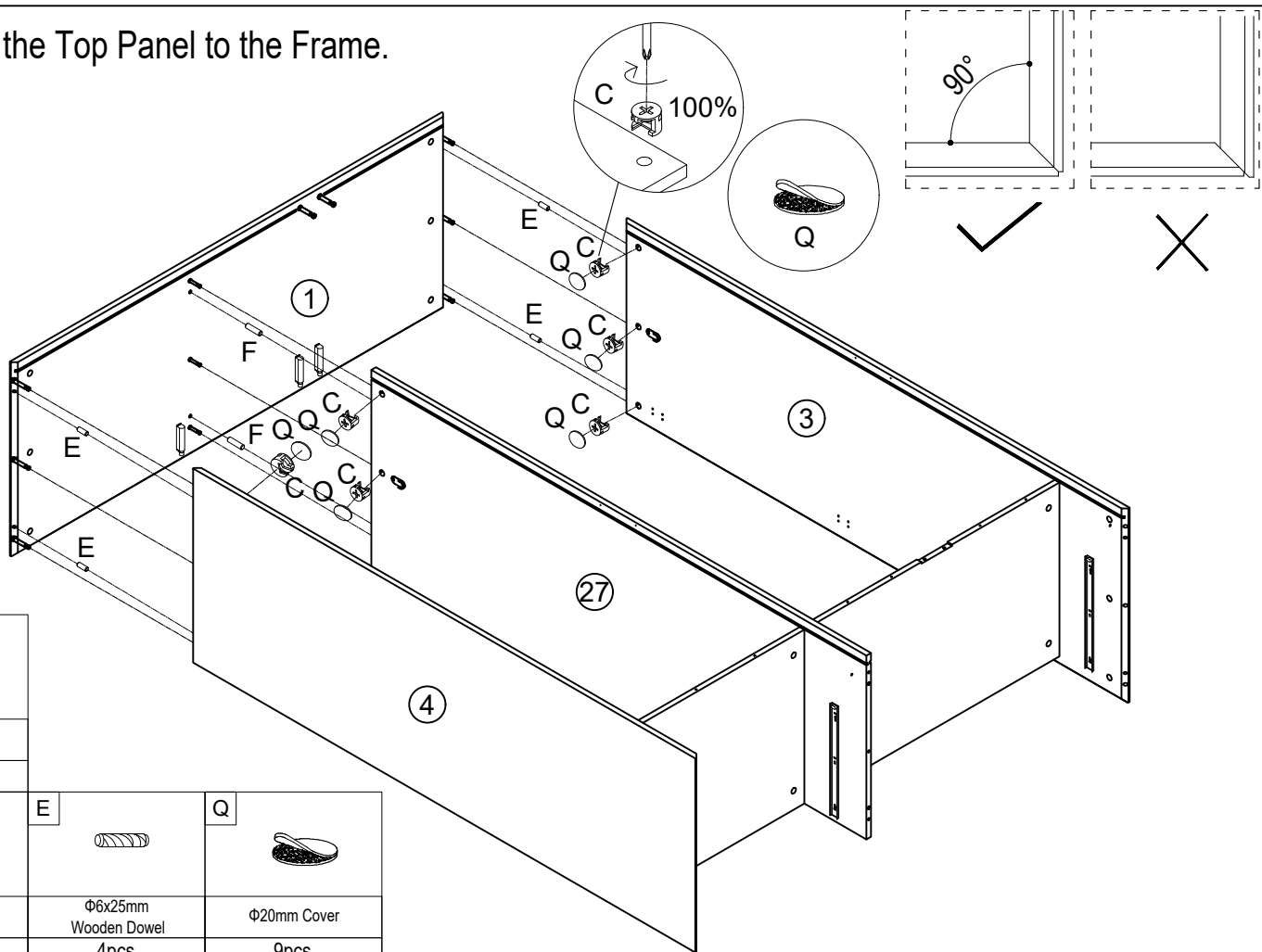
C	F1	F2
Φ15x11mm CAM Lock	M6x82 CAM Lock Screw	Φ8x50mm Wooden Dowel
4pcs	2pcs	2pcs



6. Attach the Left Side Panel and Right Side Panel to the Frame.

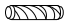



C	F
Φ15x11mm CAM Lock	Φ8x30mm Wooden Dowel
4pcs	4pcs

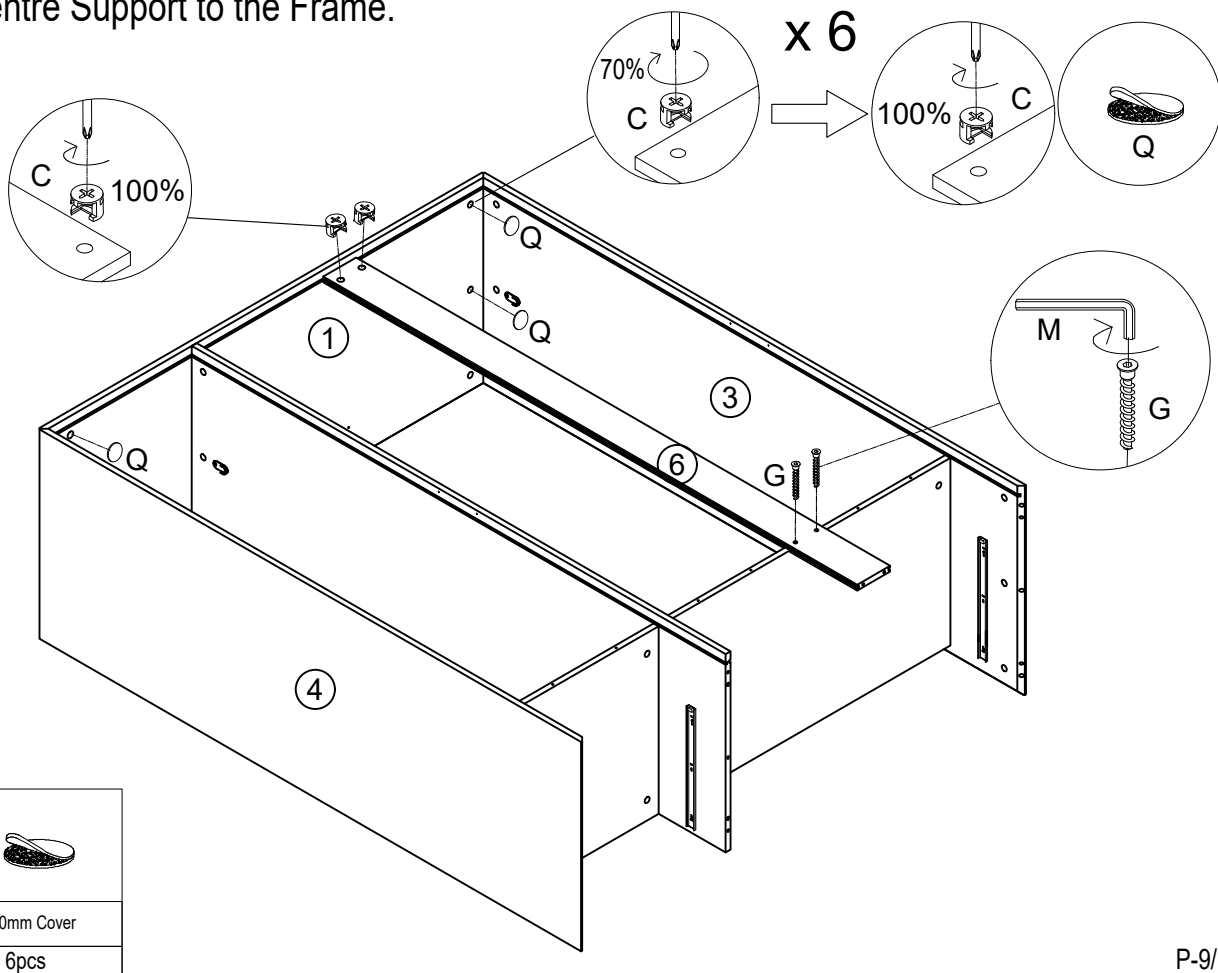
7. Attach the Top Panel to the Frame.

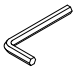





F	
Φ8x30mm Wooden Dowel 2pcs	
C	
Φ15x11mm CAM Lock 9pcs	

E		Q	
Φ6x25mm Wooden Dowel 4pcs		Φ20mm Cover 9pcs	

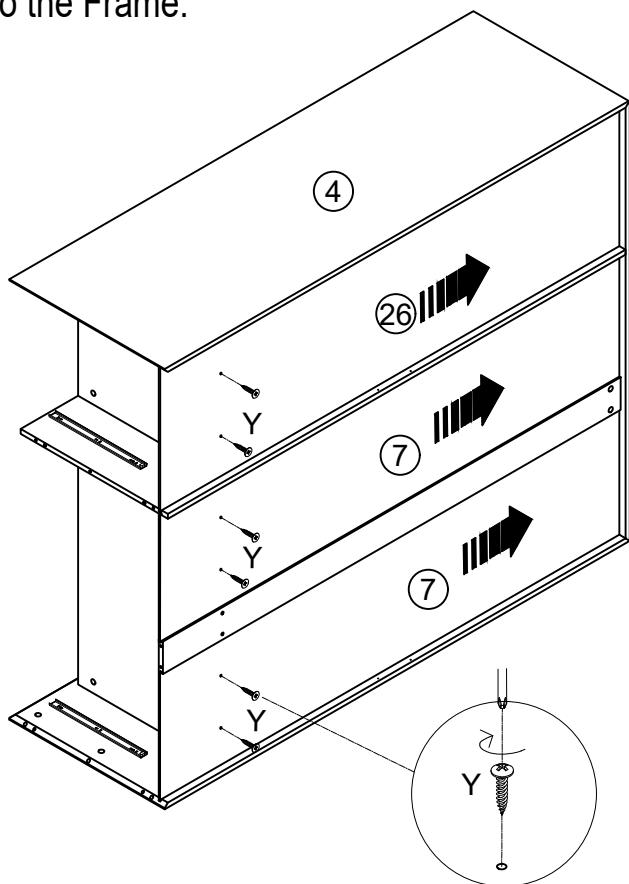
8. Attach the Centre Support to the Frame.




M	
4mm Allen Key 1pc	
G	
M7x50mm Screw 2pcs	
C	
Φ15x11mm CAM Lock 2pcs	

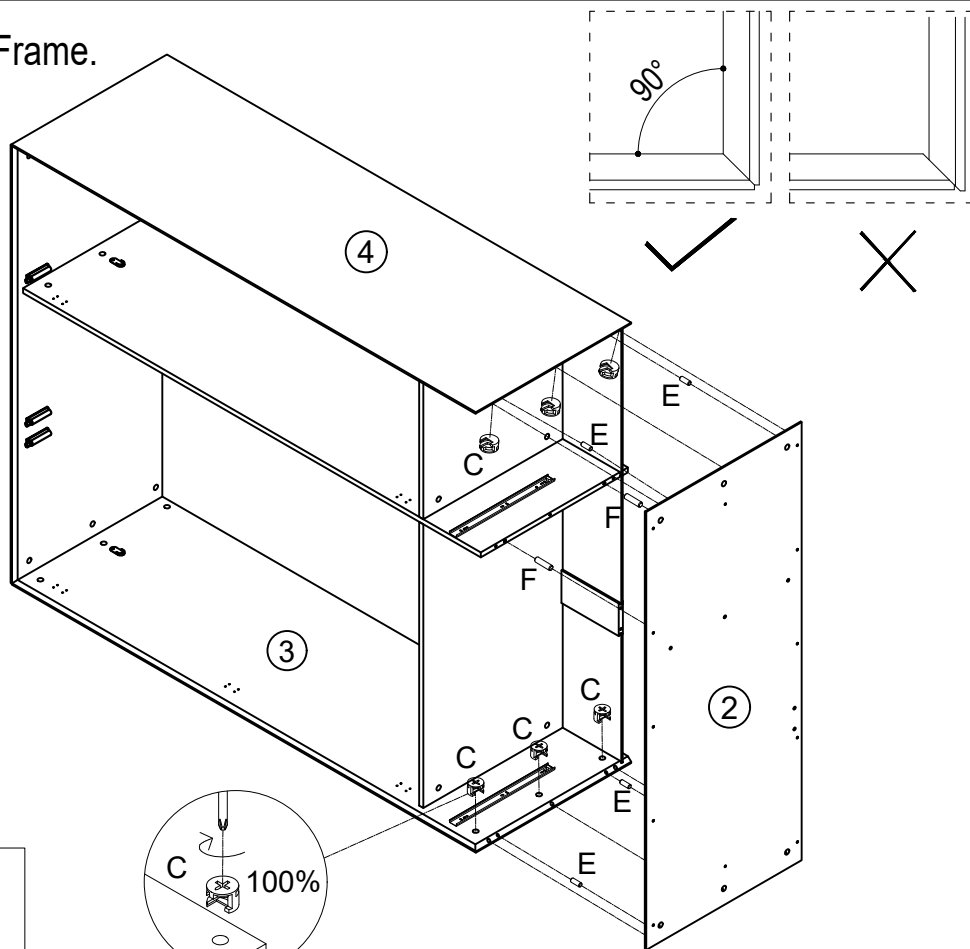
Q	
Φ20mm Cover 6pcs	




9. Attach the Back Panels into the Frame.



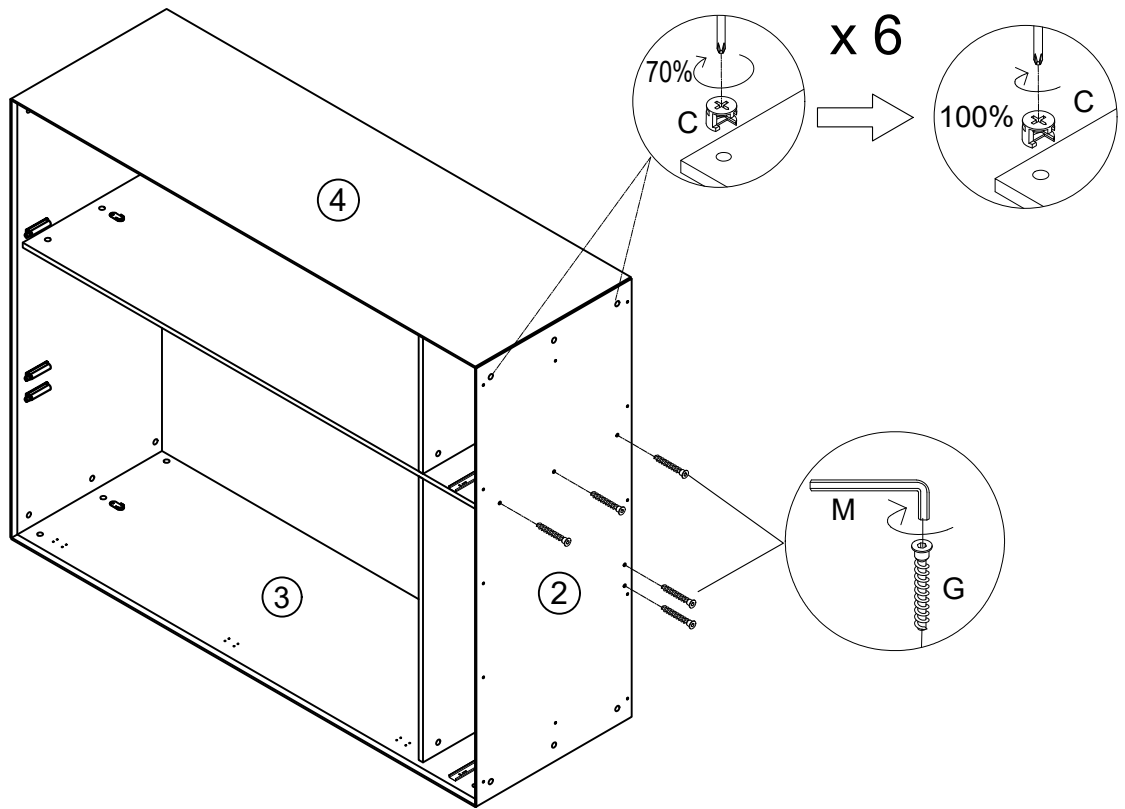
Y	
M4x25mm Screw	
6pcs	


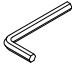
10. Attach the Bottom Panel to the Frame.



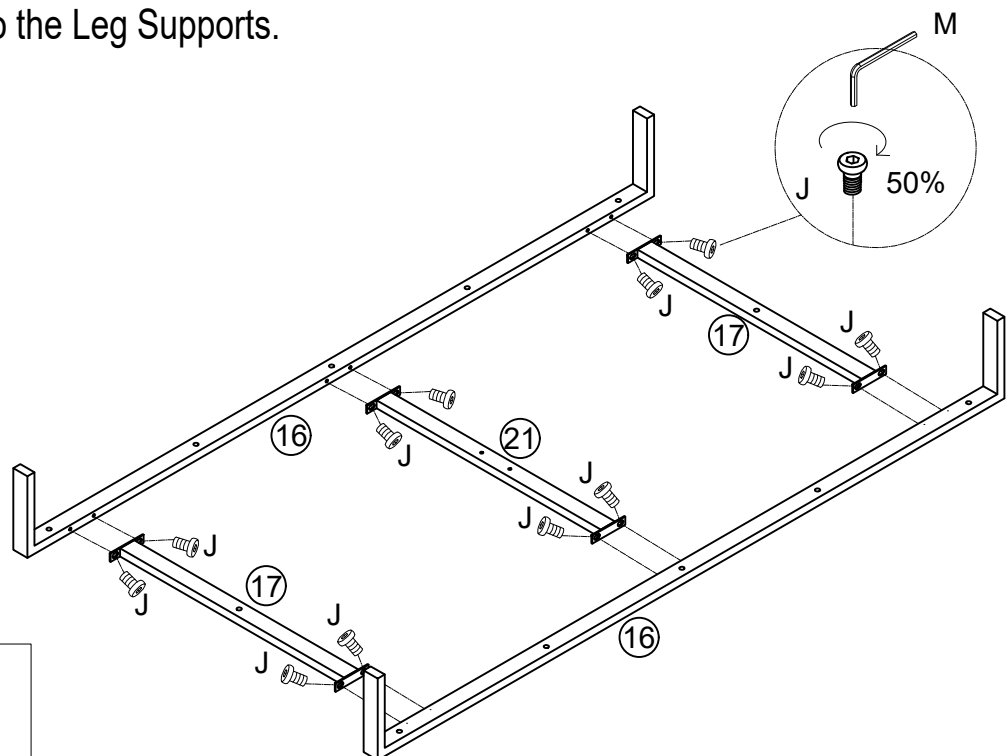
C	E	F
		
Φ15x11mm CAM Lock	Φ6x25mm Wooden Dowel	Φ8x30mm Wooden Dowel
6pcs	4pcs	2pcs

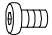
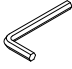
11. Lock the CAM Locks tightly.



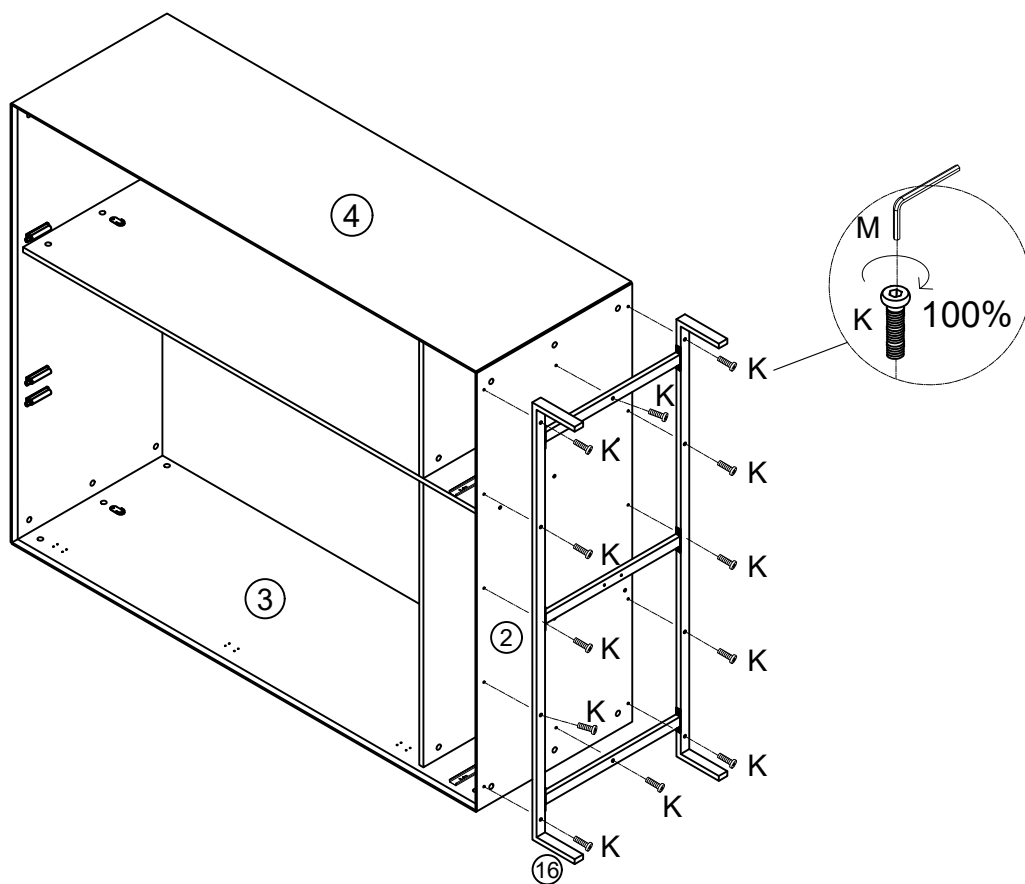
G		M	
	M7x50mm Screw		4mm Allen Key
	5pcs		1pc

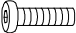
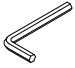
12. Attach the Legs to the Leg Supports.



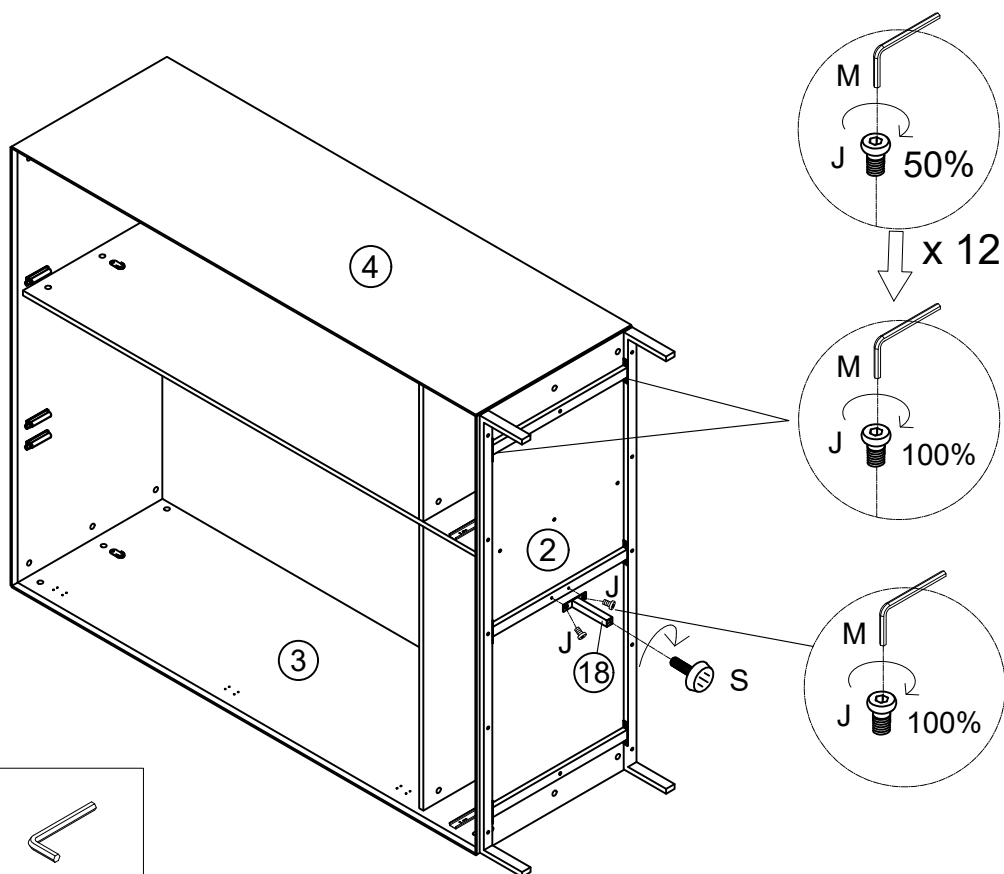
J		M	
	M6x12mm Bolt		4mm Allen Key
	12pcs		1pc



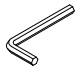
13. Attach the Legs to the Frame.



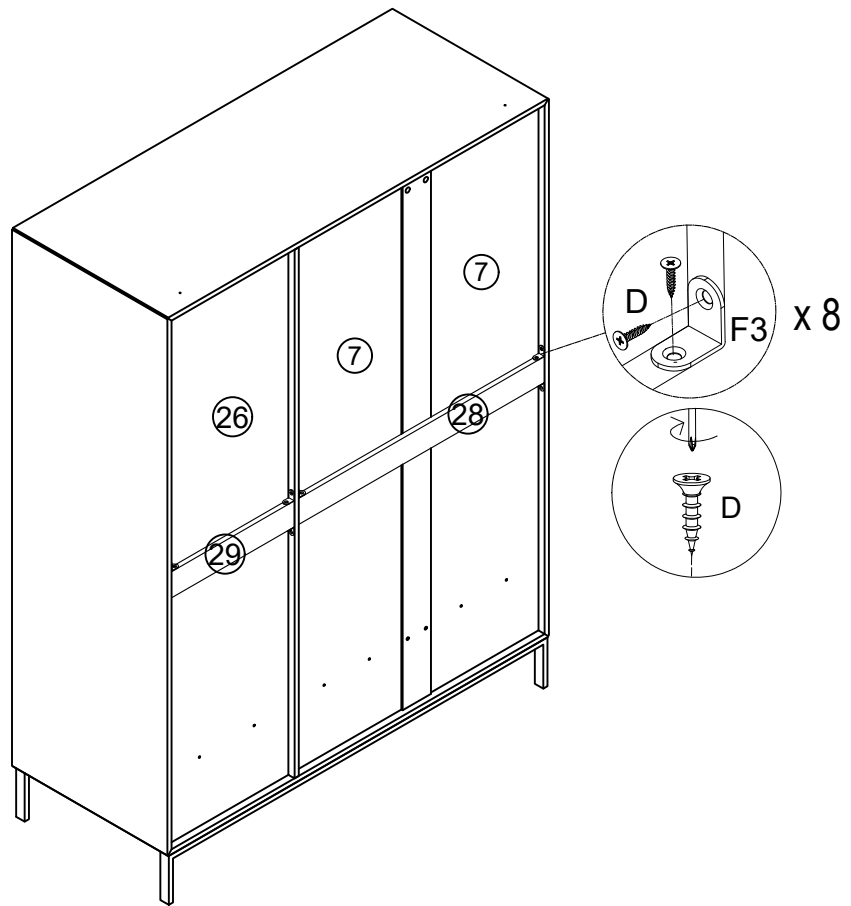
K	M
	
M6x25mm Bolt	4mm Allen Key
12pcs	1pc

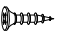

14. Attach the Centre Leg to the frame and Lock the Bolts tightly.



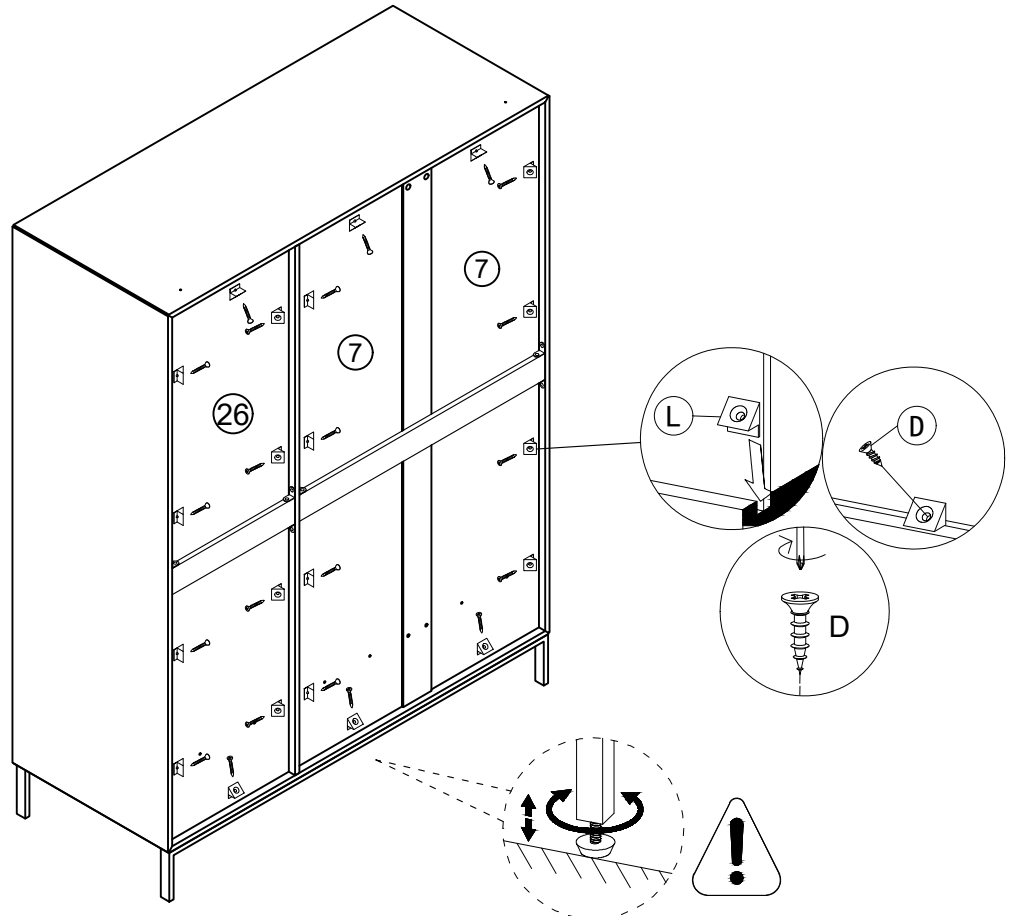
J	S	M
		
M6x12mm Bolt	M6 Adjustable Foot	4mm Allen Key
2pcs	1pc	1pc

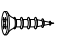

15. Attach the connection panels.



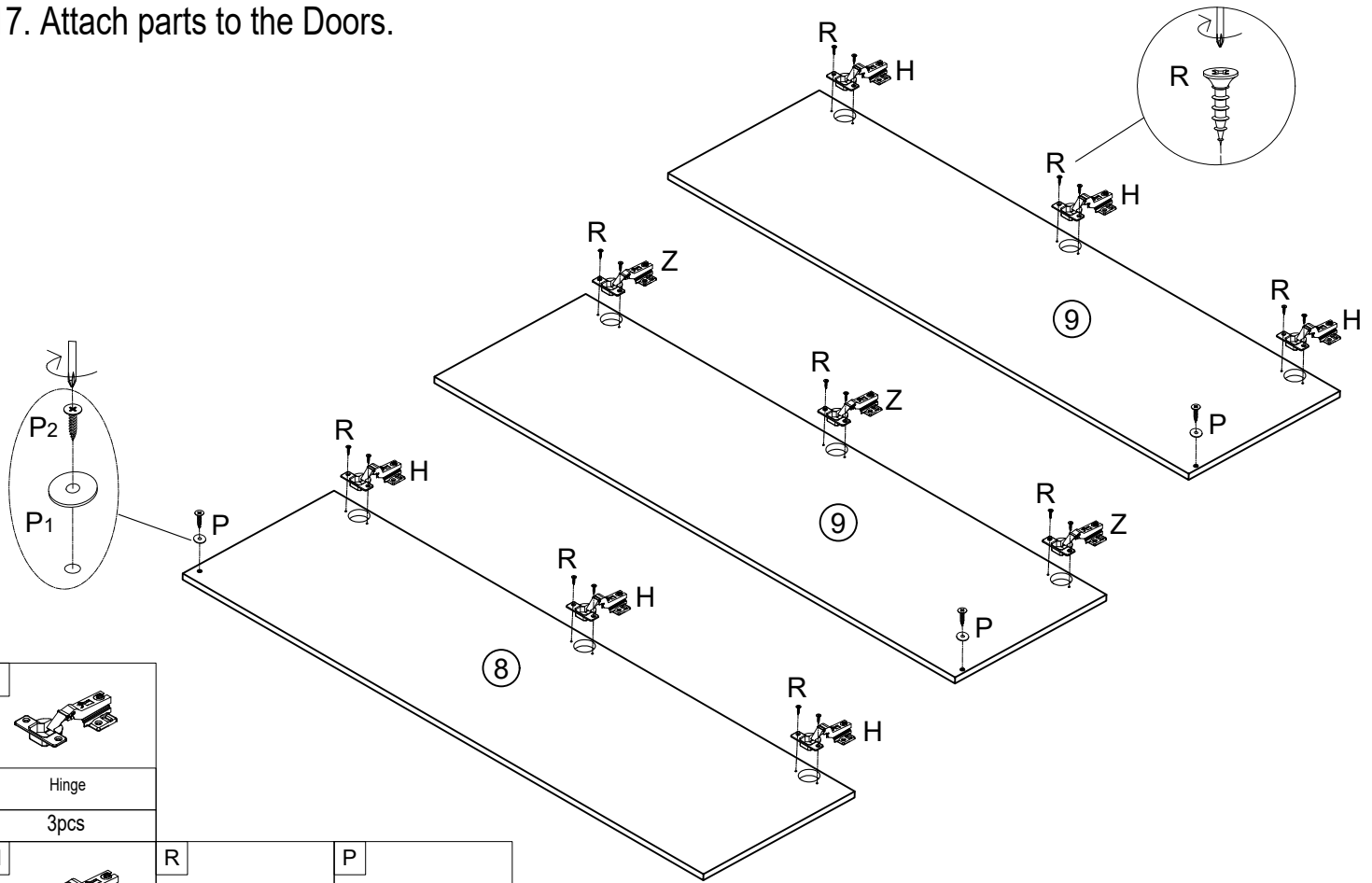
D		F3	
	M3.5x14mm Screw		25x25x16mm Corner code
	16pcs		8pcs

16. Attach the Plastic Buckles.



D		L	
	M3.5x14mm Screw		15x9mm Plastic Buckle
	22pcs		22pcs

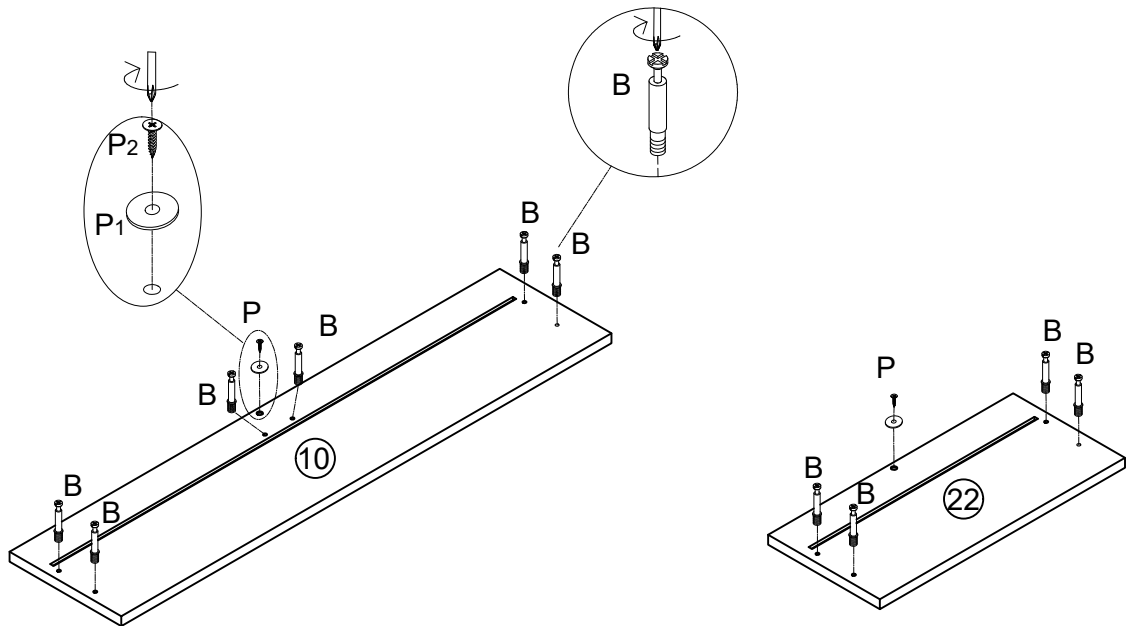
17. Attach parts to the Doors.



Z	
	Hinge
	3pcs

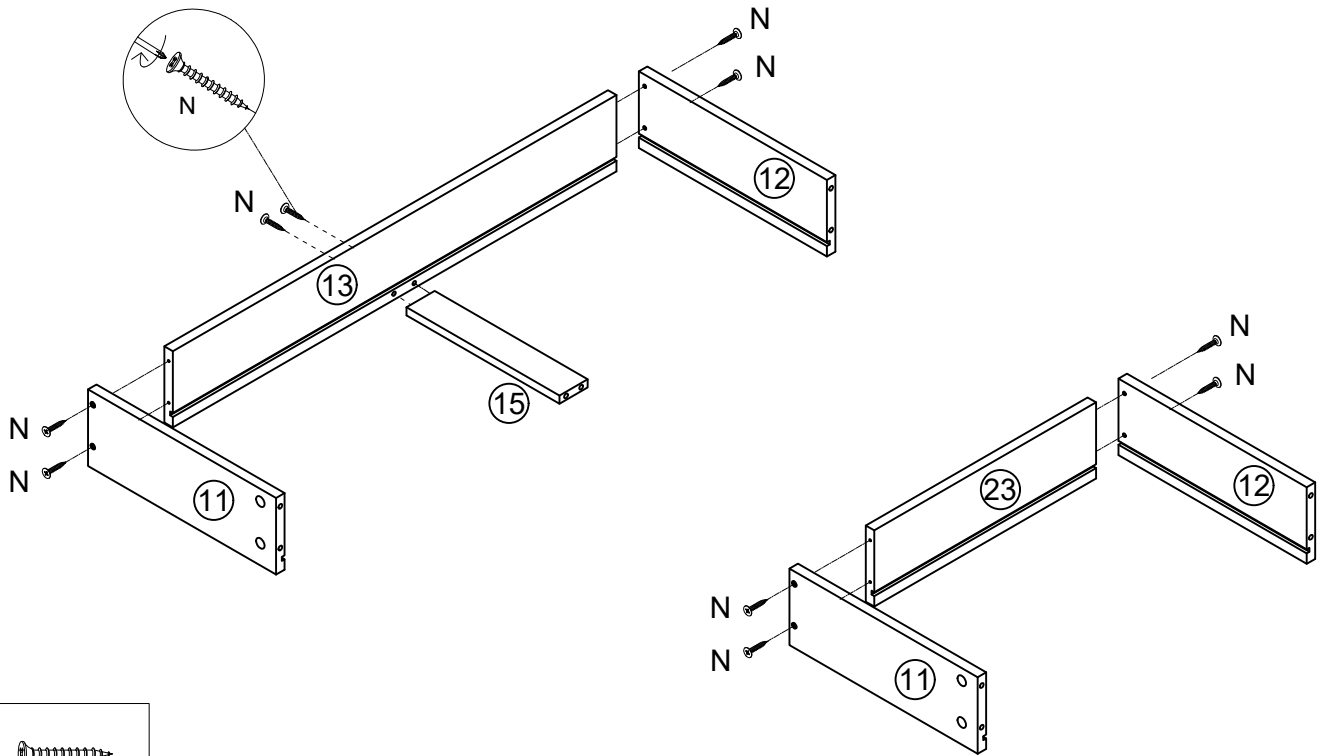
H		R		P	
	Hinge		M4x14mm Screw		Ø16mm Screw and Washer
	6pcs		18pcs		3pcs

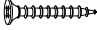
18. Attach parts to the drawer front.



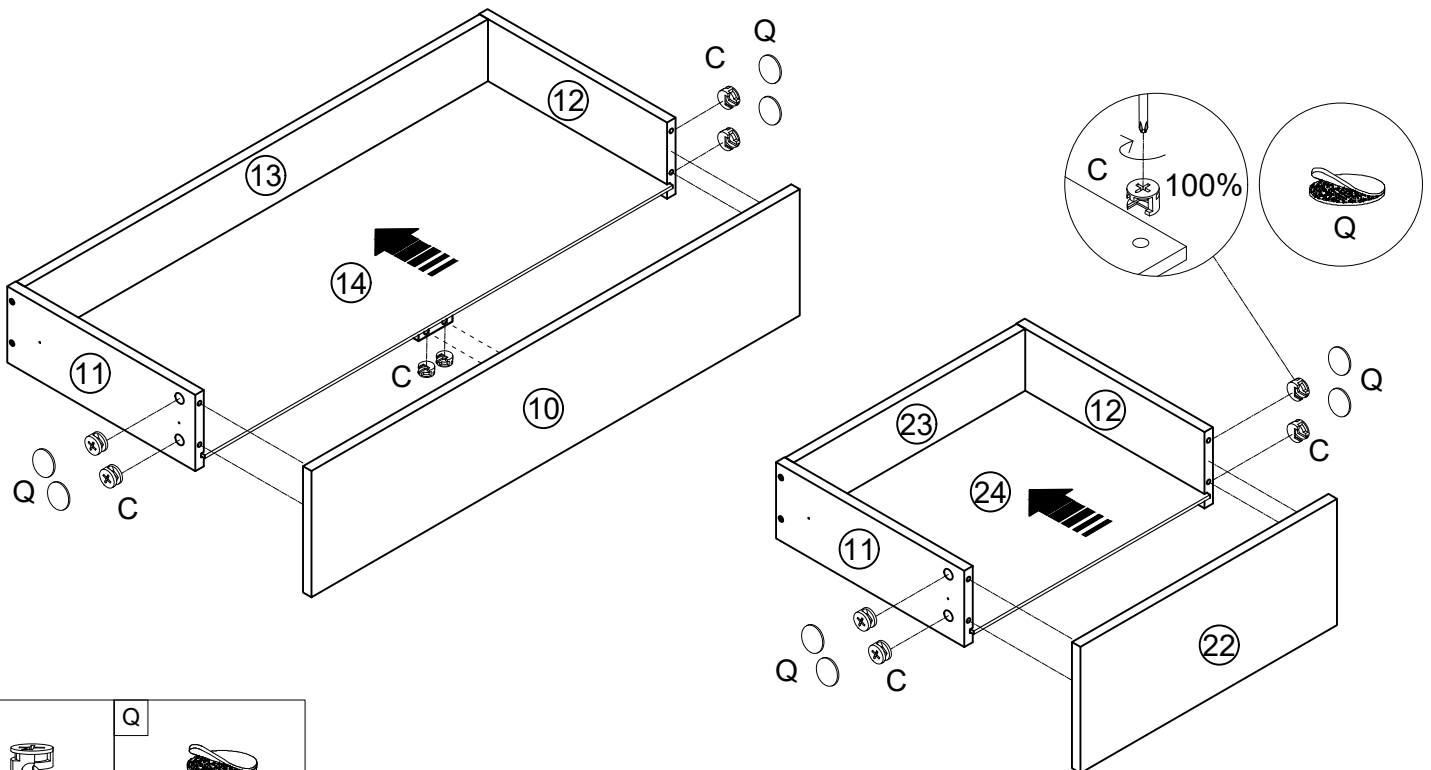
P		B	
	Ø16mm Screw and Washer		M6x44 CAM Lock Screw
	2pcs		10pcs



19. Assemble the drawer.



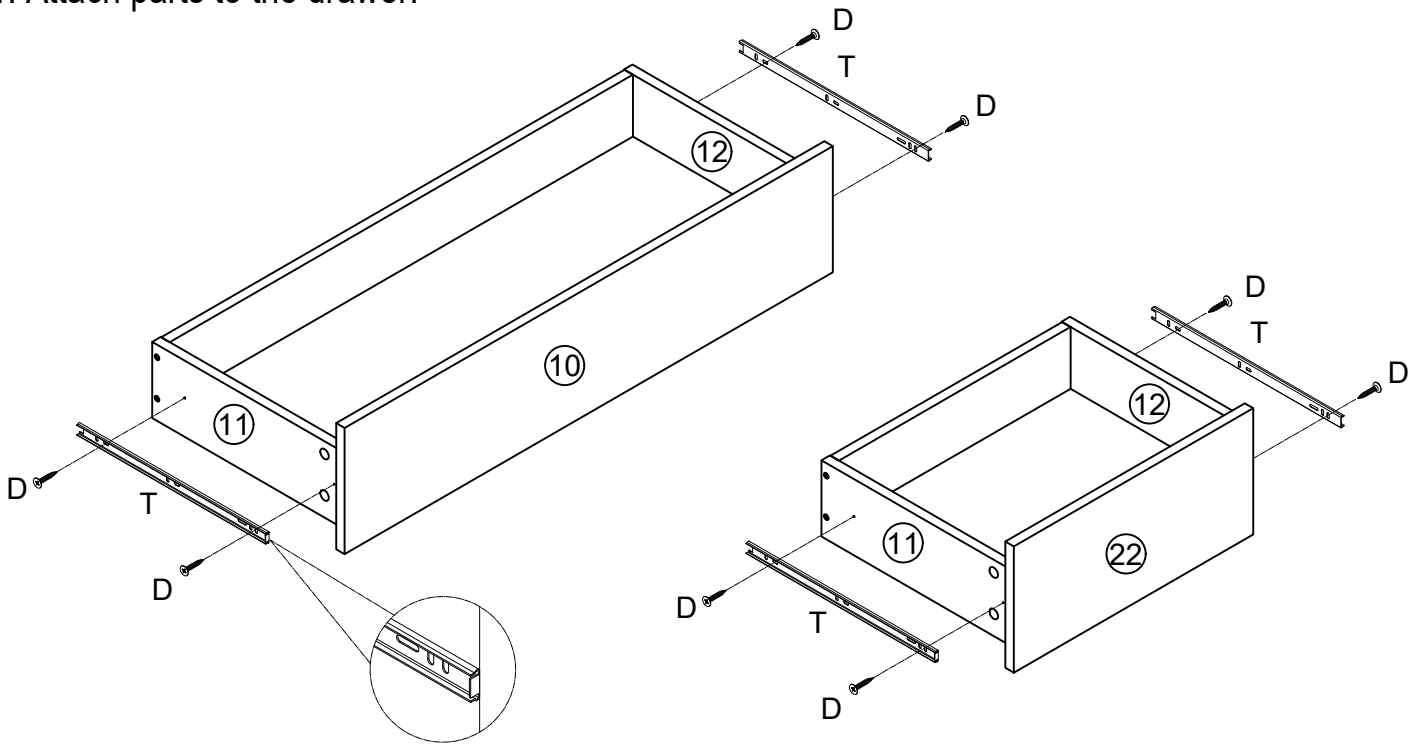
N	
M3.5x35mm Screw	
10pcs	

20. Slide in the Drawer Base, and attach the Drawer Front by locking the CAM Locks tightly.



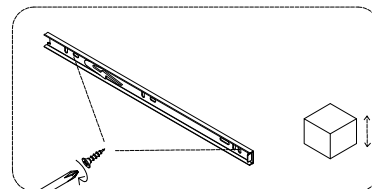
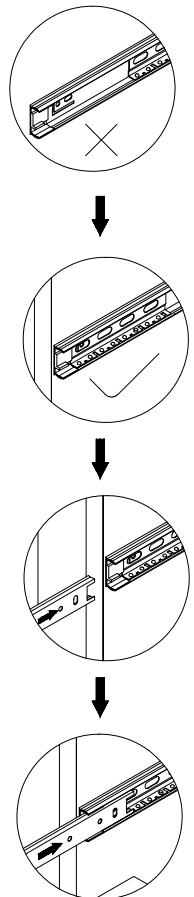
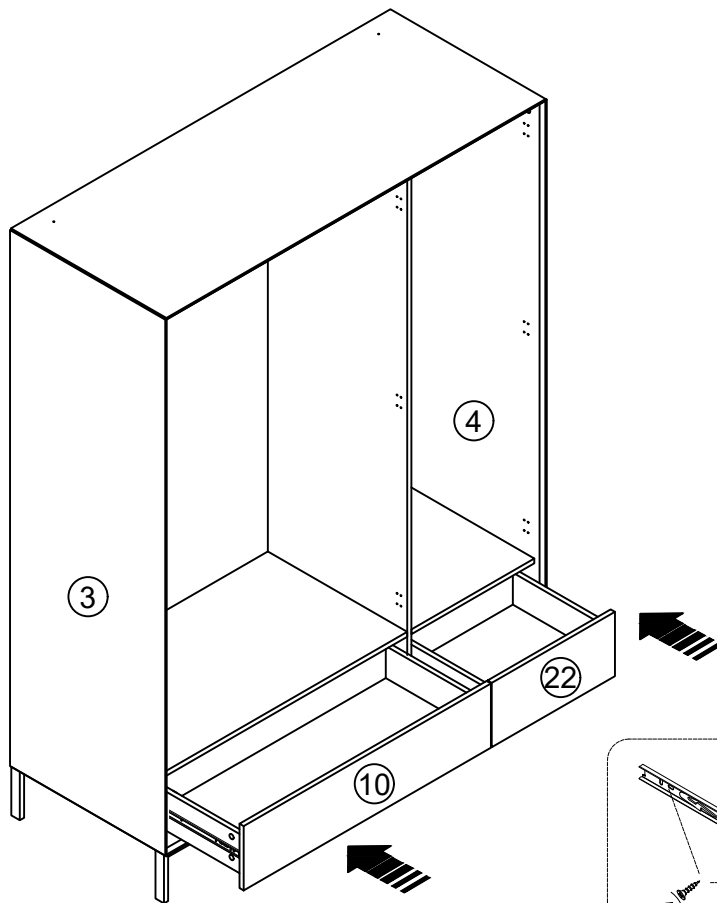
C		Q	
Φ15x11mm CAM Lock		Φ20mm Cover	
10pcs		8pcs	

21. Attach parts to the drawer.

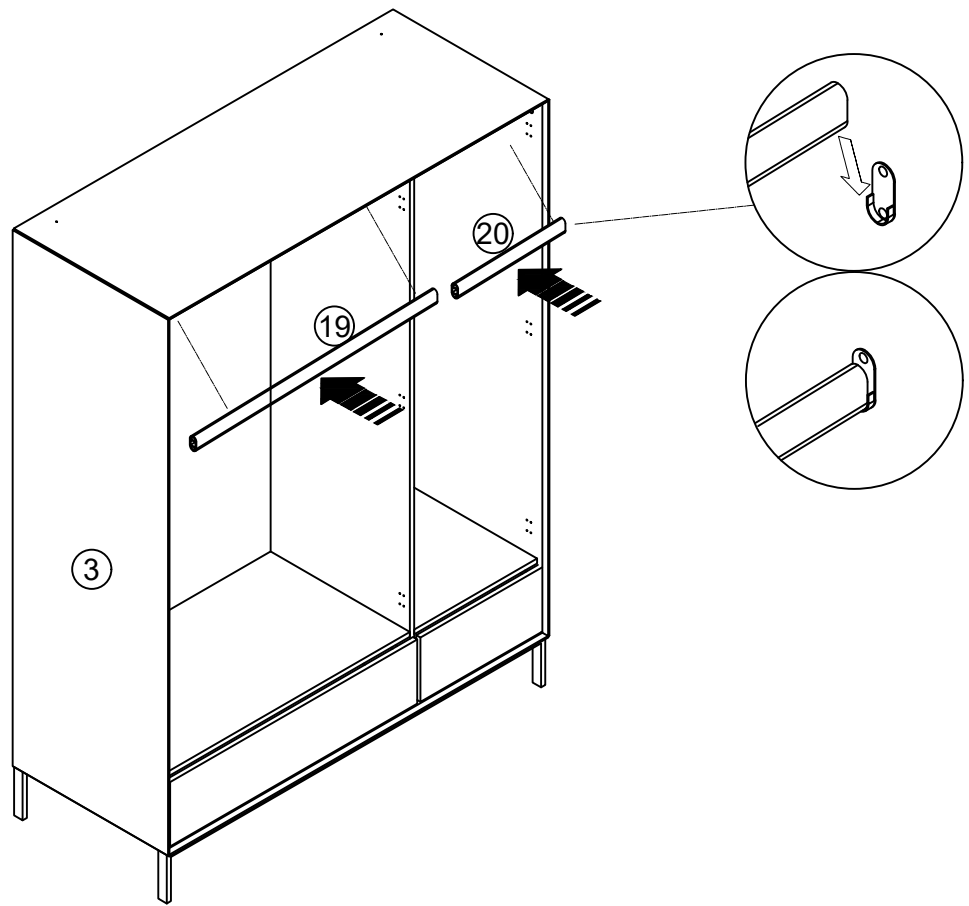


D	T		
M3.5x14mm Screw	Slide-T2		
8pcs	4pcs		

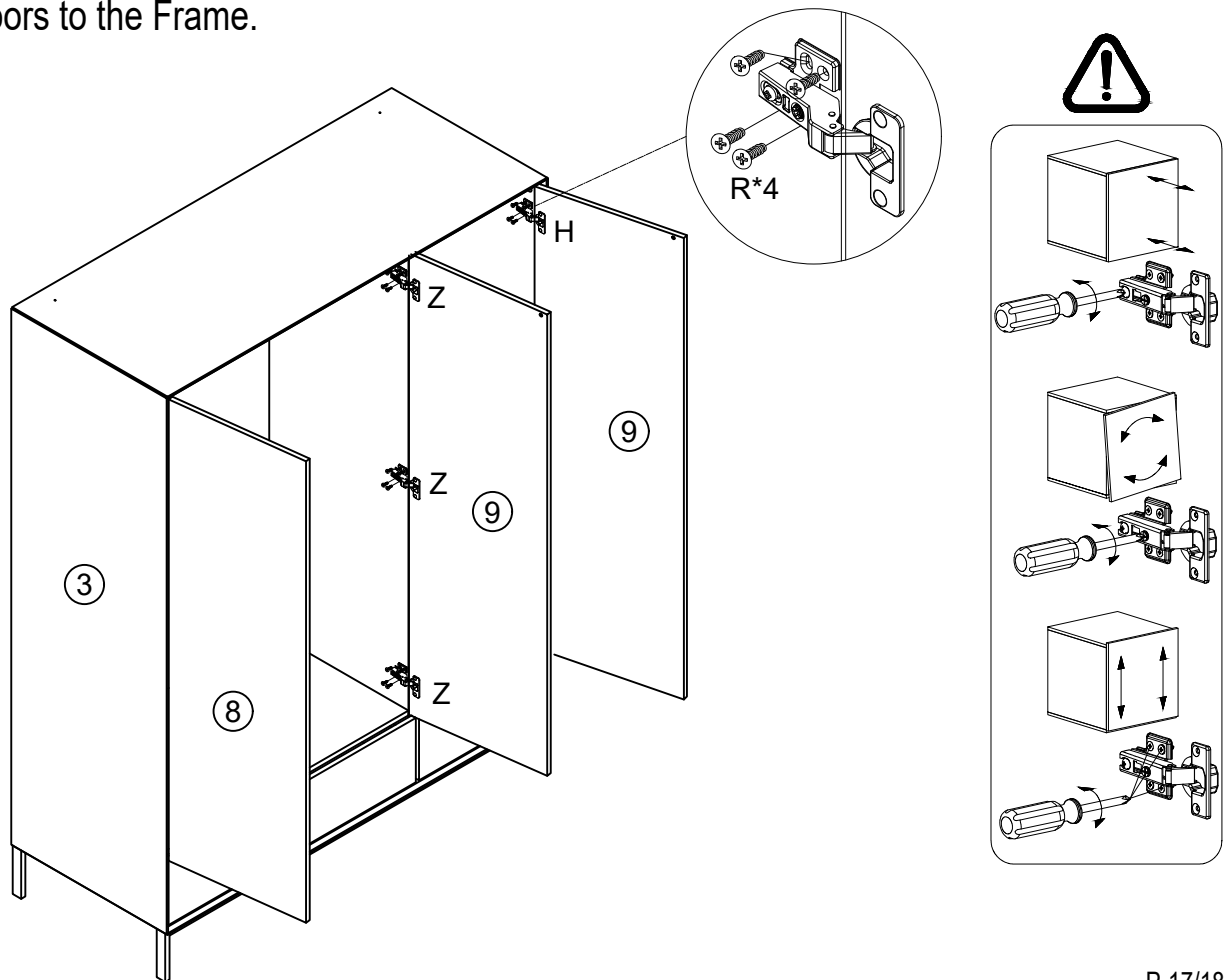
22. Assemble the drawers in the Wardrobe.



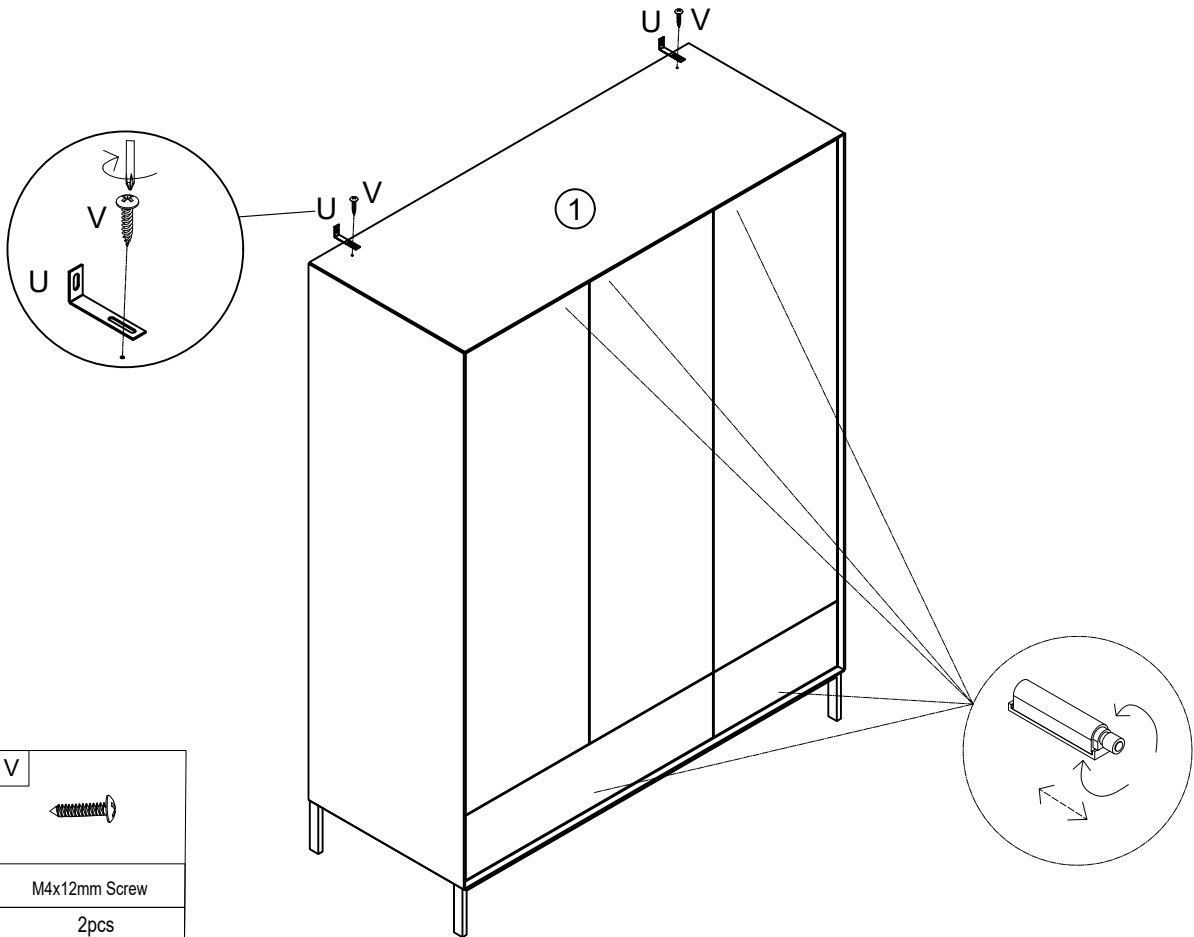
23. Put the Clothes Poles into the Frame.

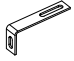



24. Attach the Doors to the Frame.

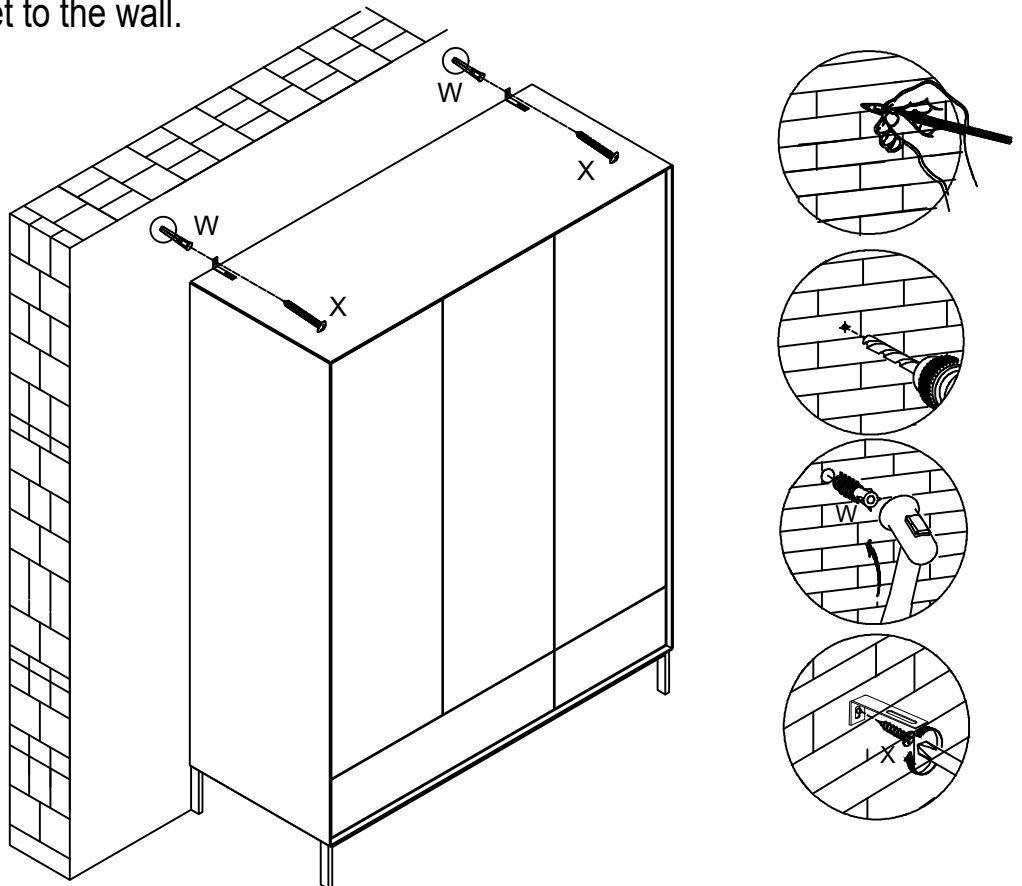



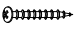
25. Attach parts to the frame and adjust the pushers to appropriate position.



U		V	
	76x32mm L-shaped Bracket		M4x12mm Screw
	2pcs		2pcs

26. Fix the L-Shaped Bracket to the wall.



W		X	
	Φ8mm Expansion Tube		M4x40mm Screw
	2pcs		2pcs